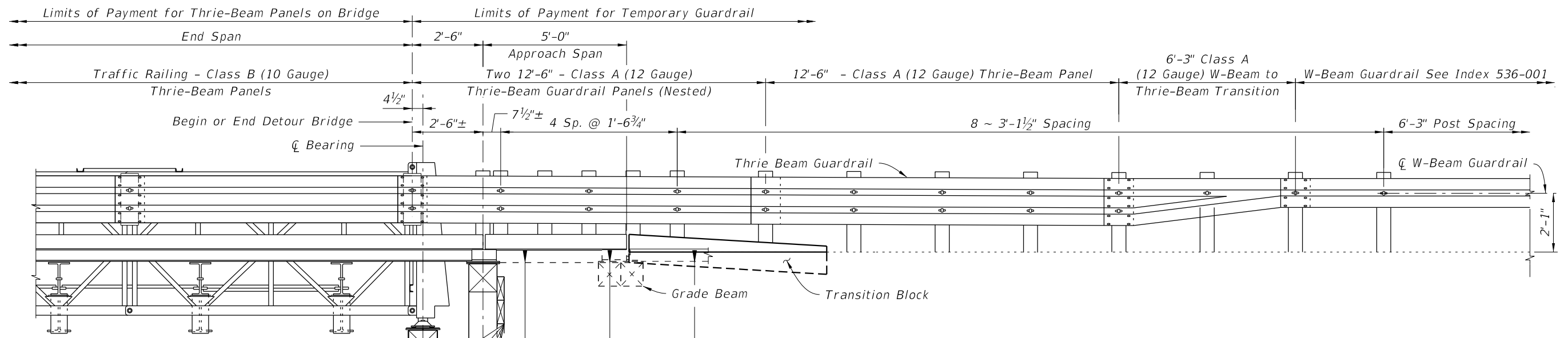



PARTIAL PLAN - APPROACH TRANSITION

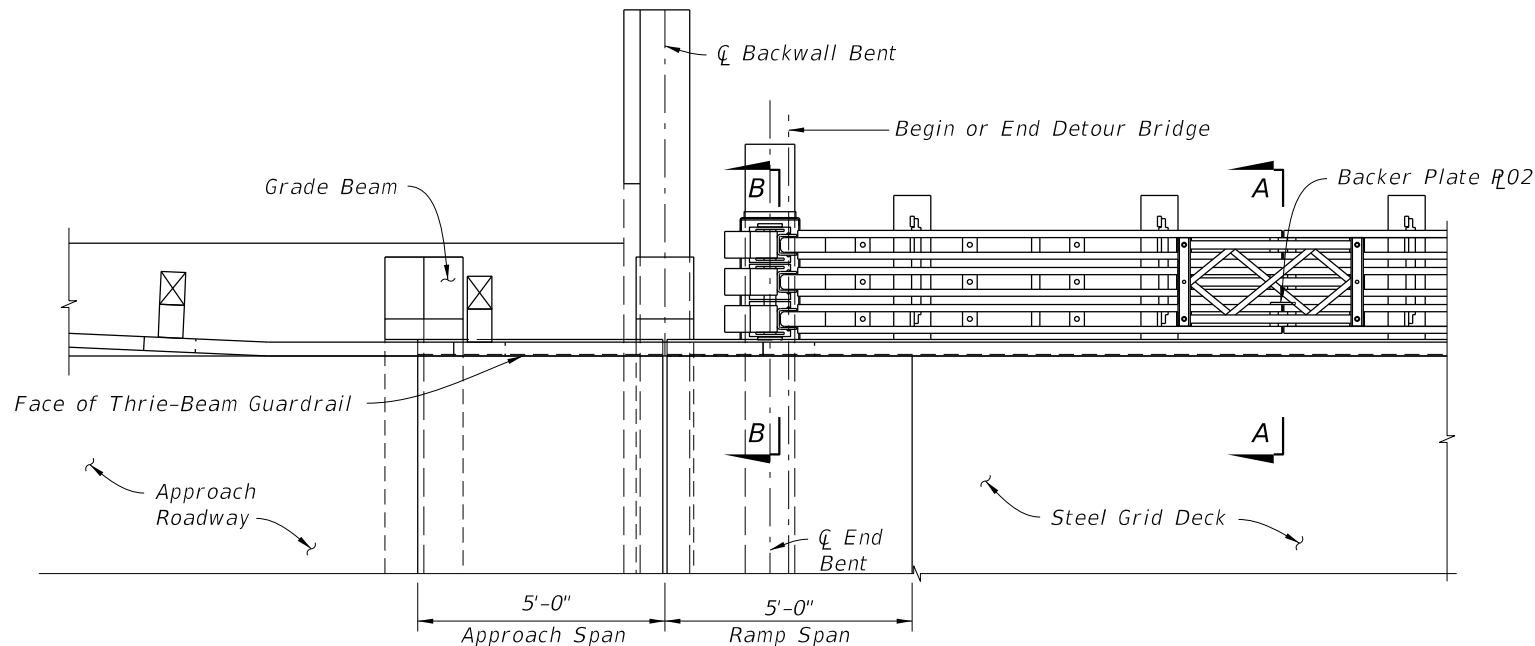


PARTIAL ELEVATION - APPROACH TRANSITION

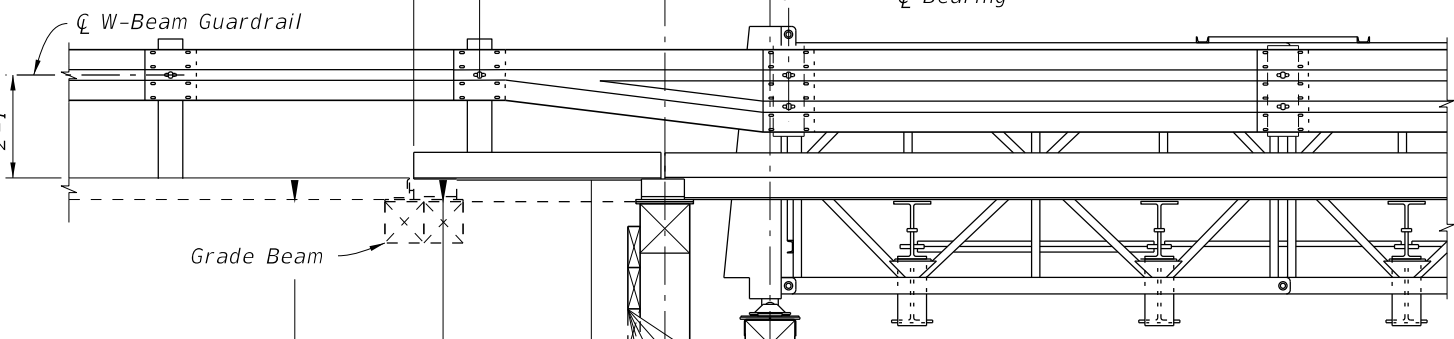
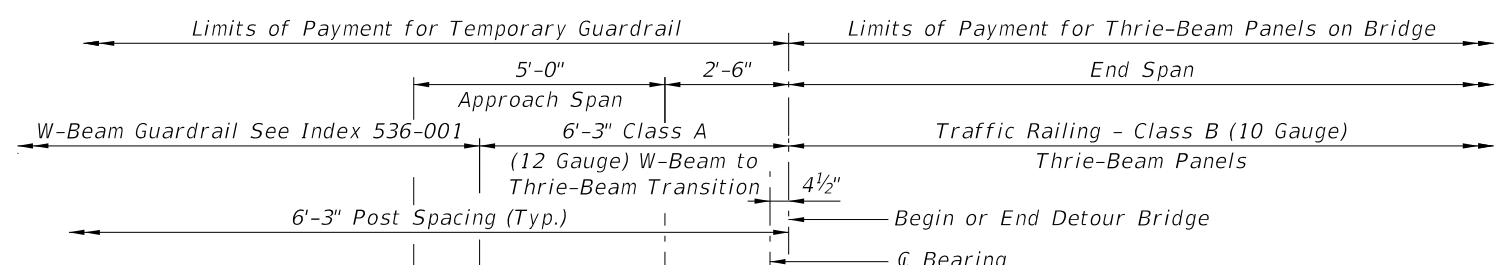
10/15/2023 11:11:43 AM

THRIE-BEAM GUARDRAIL APPROACH TRANSITION

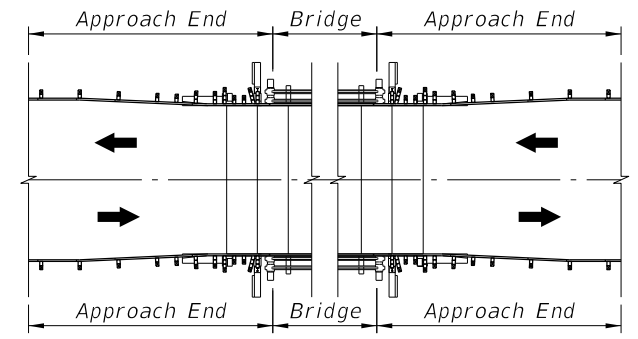
LAST REVISION 07/01/15	REVISION	DESCRIPTION:		FY 2024-25 STANDARD PLANS	TEMPORARY DETOUR BRIDGE THRIE-BEAM GUARDRAIL	INDEX 102-240	SHEET 1 of 6
---------------------------	----------	--------------	--	------------------------------	---	------------------	-----------------



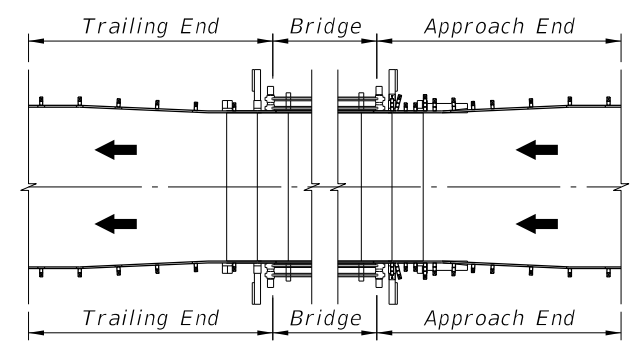
PARTIAL PLAN - TRAILING END



PARTIAL ELEVATION - TRAILING END



TWO-WAY TRAFFIC




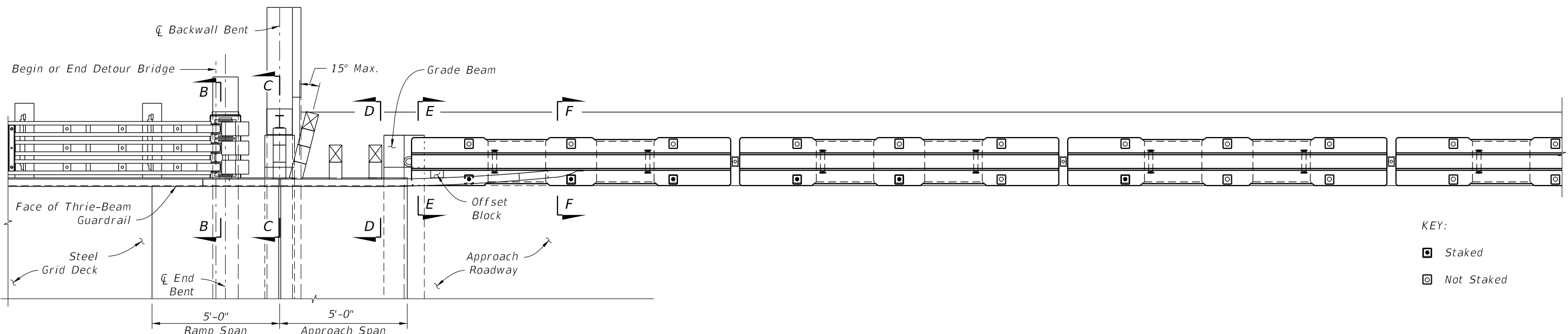
ONE-WAY TRAFFIC

END TRANSITION APPLICATION DETAILS

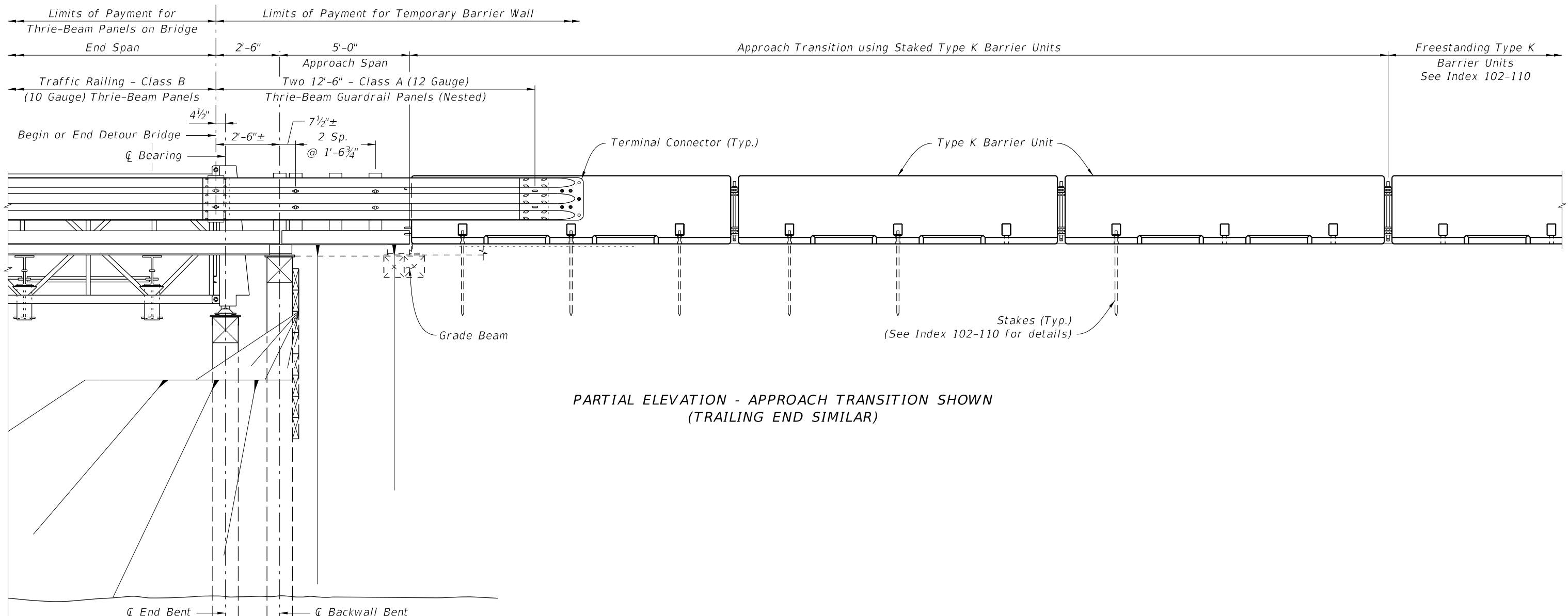
10/15/2023 11:11:51 AM

THRIE-BEAM GUARDRAIL TRAILING END TRANSITION

LAST REVISION 07/01/15	REVISION	DESCRIPTION:		FY 2024-25 STANDARD PLANS	TEMPORARY DETOUR BRIDGE THRIE-BEAM GUARDRAIL	INDEX 102-240	SHEET 2 of 6
---------------------------	----------	--------------	--	------------------------------	---	------------------	-----------------



PARTIAL PLAN - APPROACH TRANSITION SHOWN  
(TRAILING END SIMILAR)

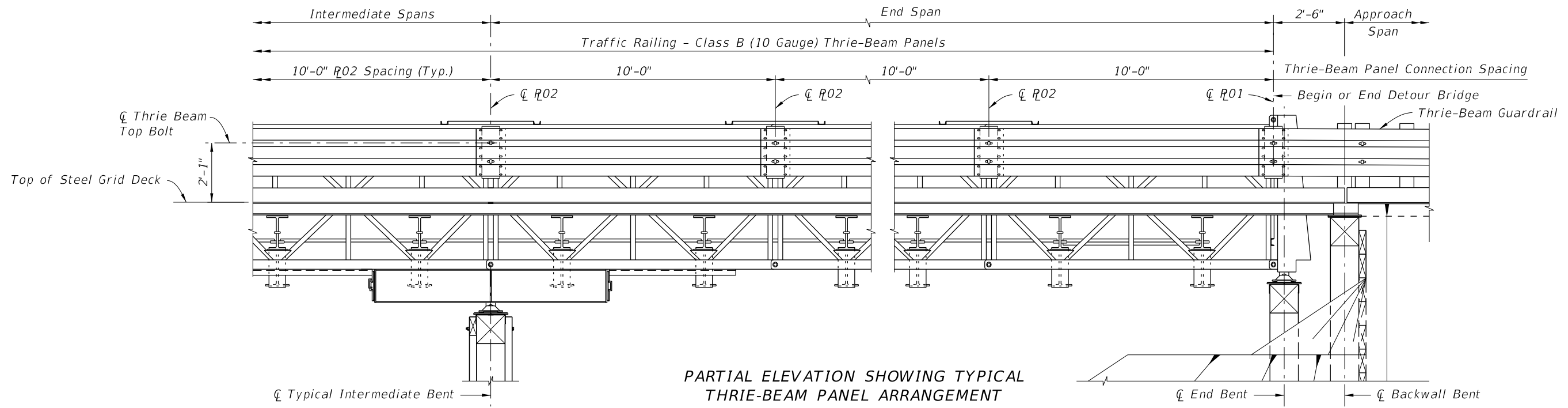


PARTIAL ELEVATION - APPROACH TRANSITION SHOWN  
(TRAILING END SIMILAR)

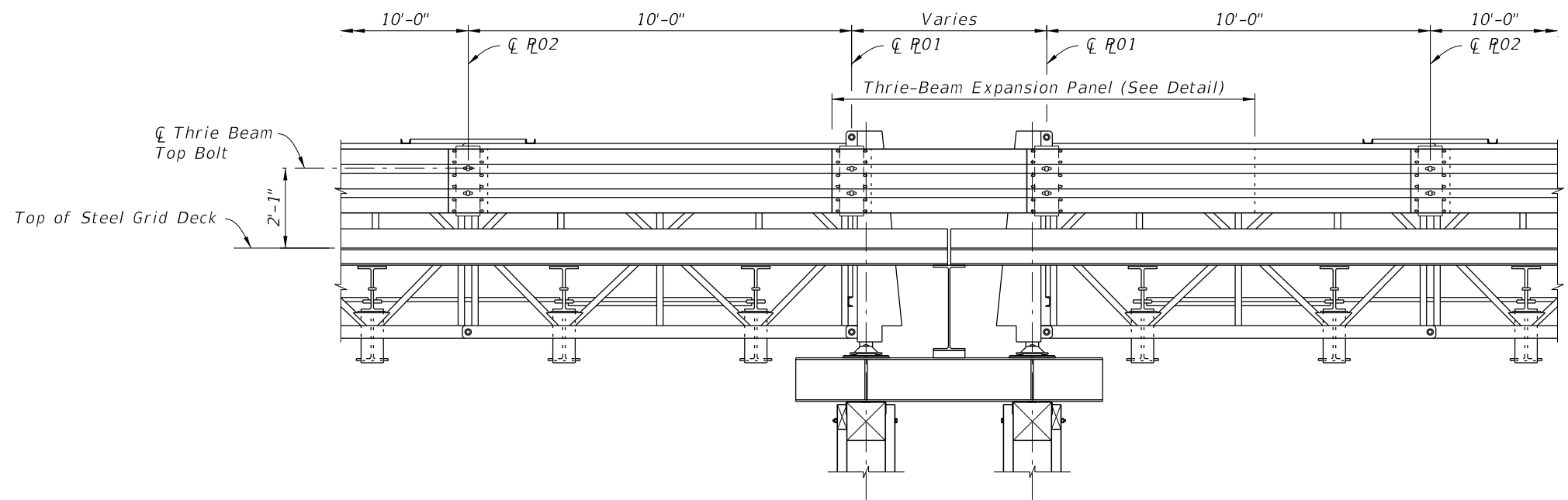
10/15/2023 11:11:59 AM

TYPE K BARRIER UNIT APPROACH TRANSITION

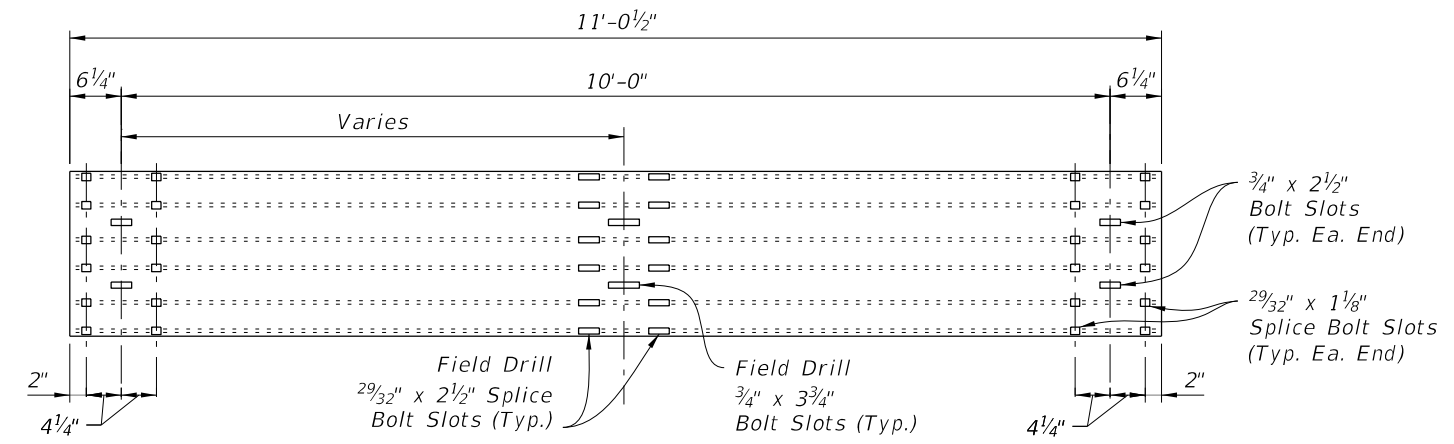
LAST REVISION 07/01/15	REVISION	DESCRIPTION:		FY 2024-25 STANDARD PLANS	TEMPORARY DETOUR BRIDGE THRIE-BEAM GUARDRAIL	INDEX	SHEET
						102-240	3 of 6



PARTIAL ELEVATION SHOWING TYPICAL THRIE-BEAM PANEL ARRANGEMENT




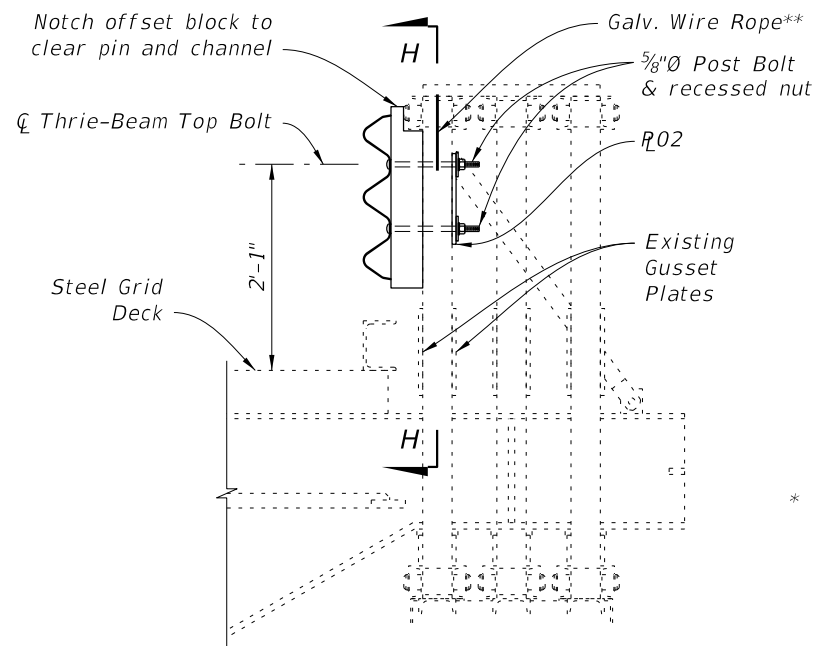
PARTIAL ELEVATION SHOWING THRIE-BEAM PANELS AT EXPANSION JOINT



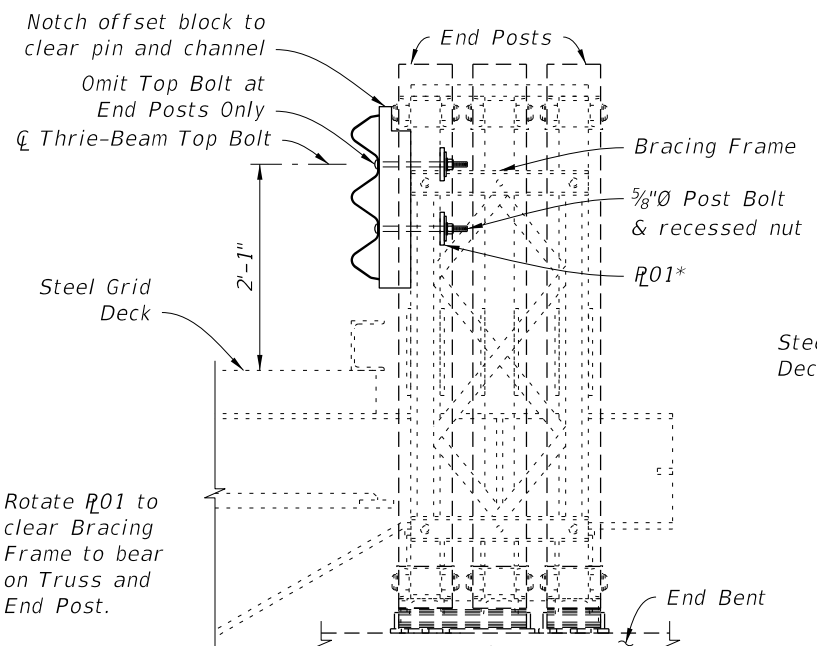
THRIE-BEAM EXPANSION PANEL DETAIL

10/15/2023 11:12:06 AM

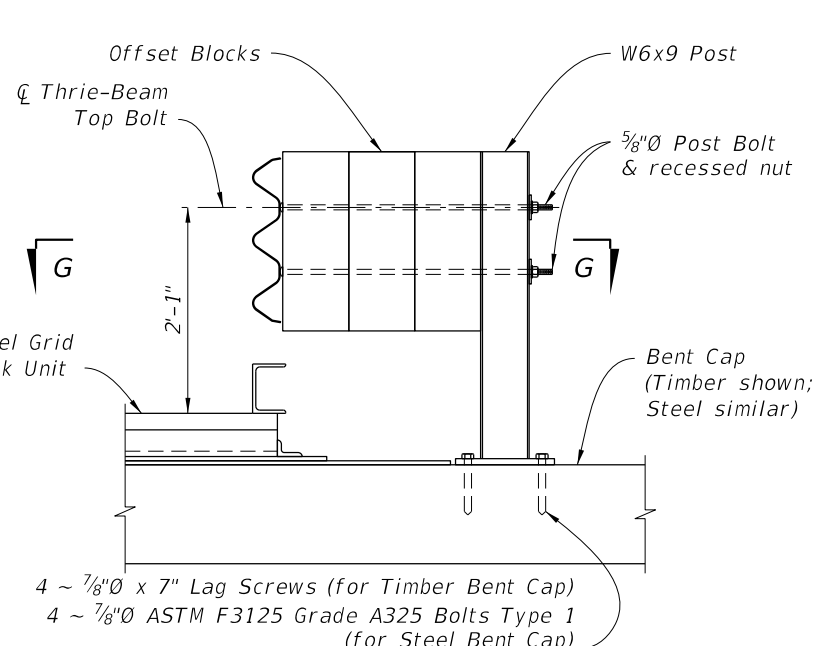
LAST REVISION 07/01/15	REVISION	DESCRIPTION:		FY 2024-25 STANDARD PLANS	TEMPORARY DETOUR BRIDGE THRIE-BEAM GUARDRAIL	INDEX 102-240	SHEET 4 of 6
---------------------------	----------	--------------	--	------------------------------	---	------------------	-----------------



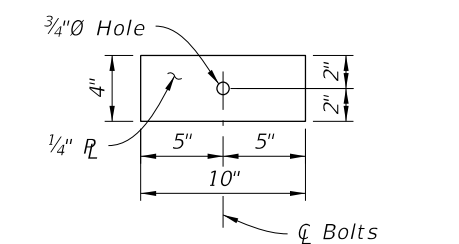
SECTION A-A



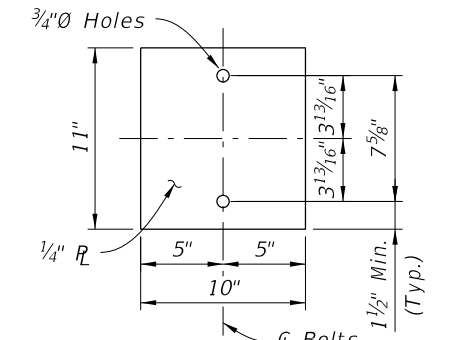
SECTION B-B



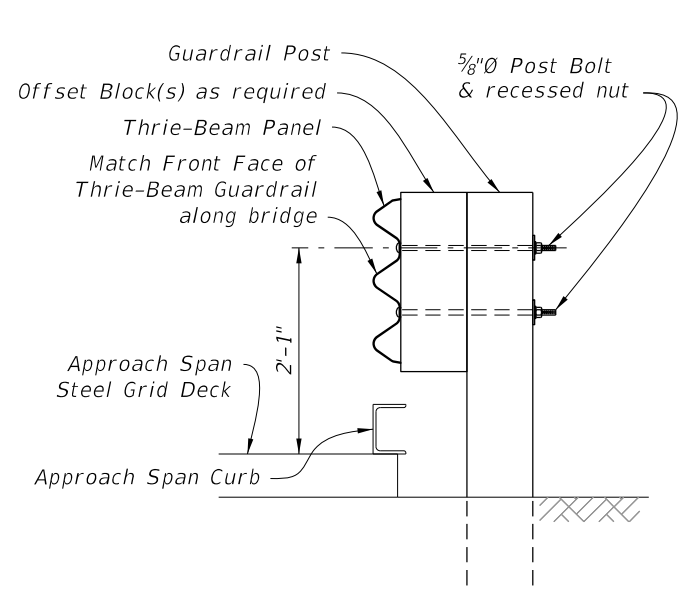
SECTION C-C



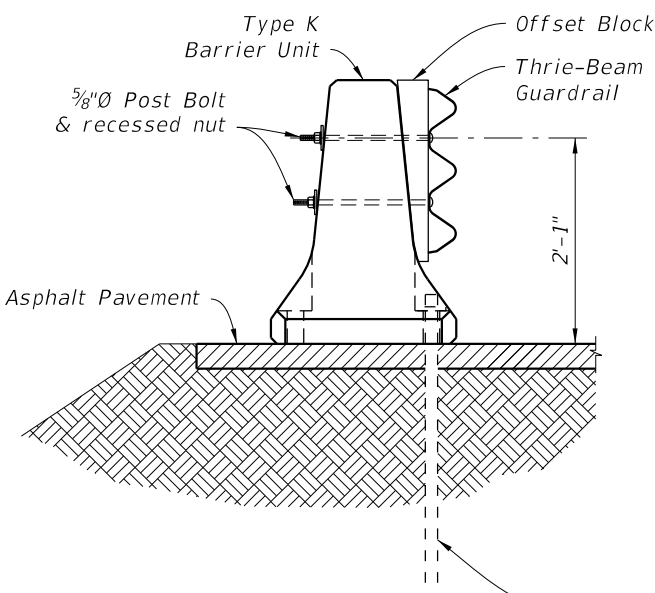
BACKER PLATE R01 DETAIL



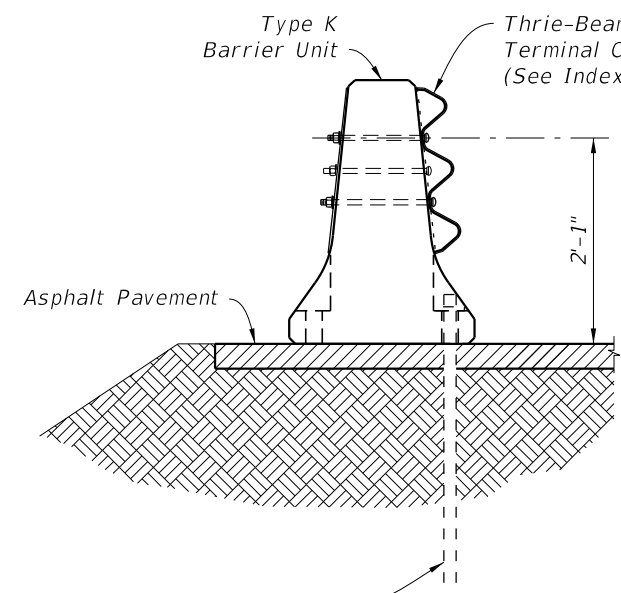
BACKER PLATE R02 DETAIL



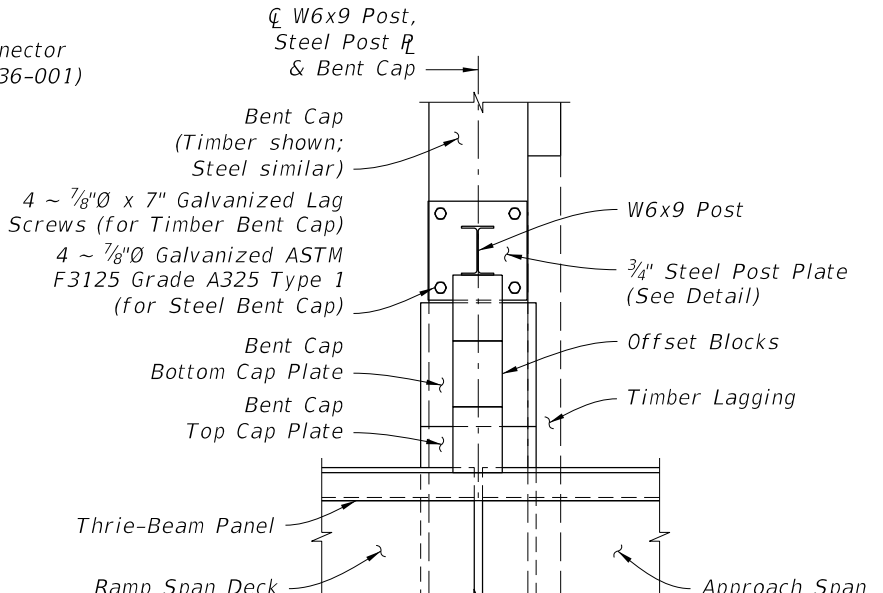
SECTION D-D



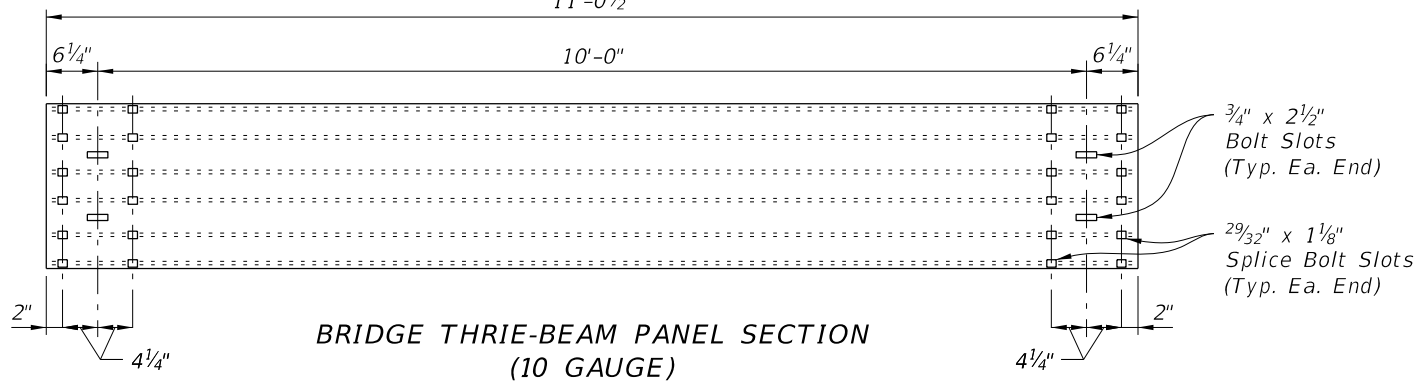
SECTION E-E



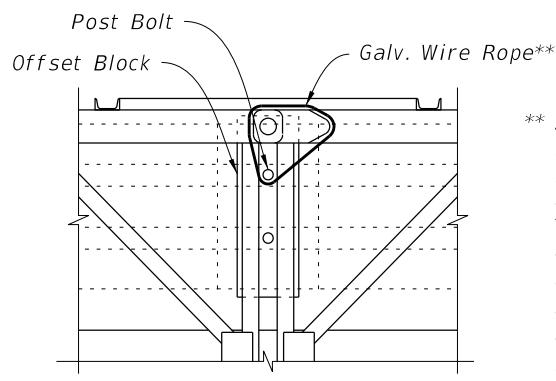
SECTION F-F



VIEW G-G  
(Adjacent Post and Offset Blocks not shown for clarity)

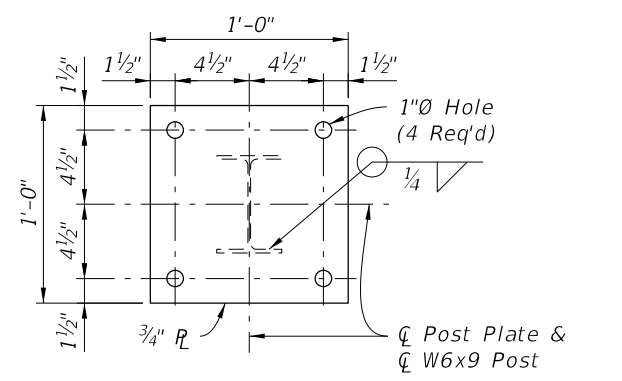


BRIDGE THRIE-BEAM PANEL SECTION  
(10 GAUGE)



SECTION H-H

\*\* As directed by the Engineer in order to limit vibration induced vertical displacement of the Thrie-Beam Panels, provide Contractor supplied, one time use, commercially available 3/16\"/>



STEEL POST PLATE DETAIL

SECTIONS AND DETAILS

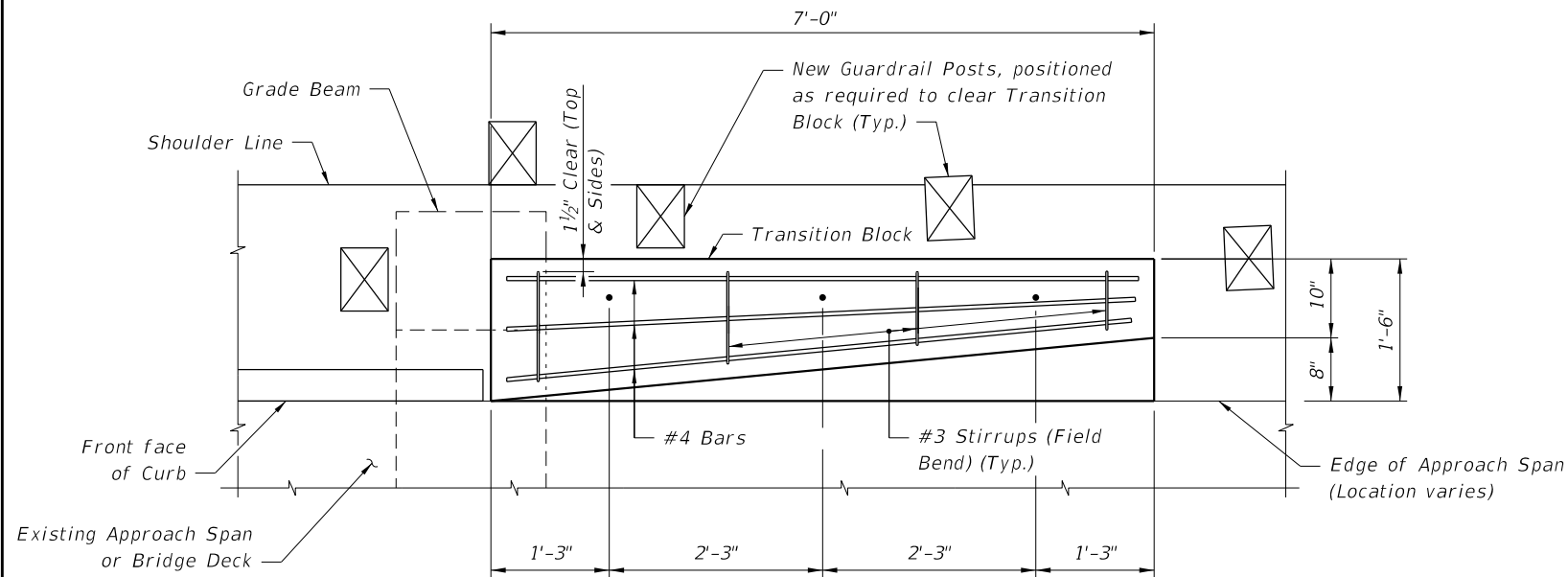
10/15/2023 11:12:14 AM

LAST REVISION 11/01/16	DESCRIPTION:
---------------------------	--------------

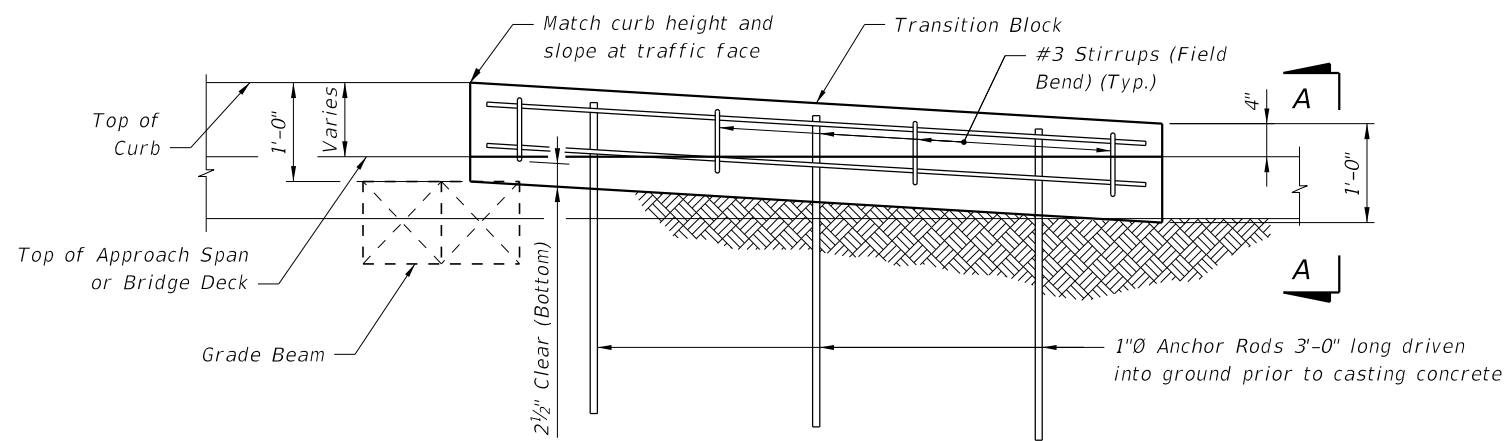


TEMPORARY DETOUR BRIDGE  
THRIE-BEAM GUARDRAIL

INDEX 102-240	SHEET 5 of 6
------------------	-----------------

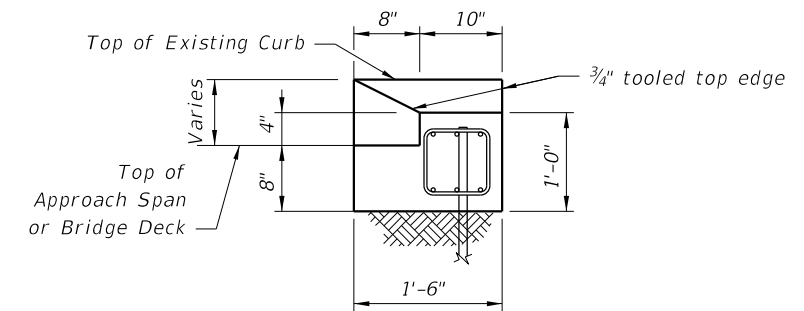


PLAN VIEW OF TRANSITION BLOCK  
(GUARDRAIL NOT SHOWN FOR CLARITY)

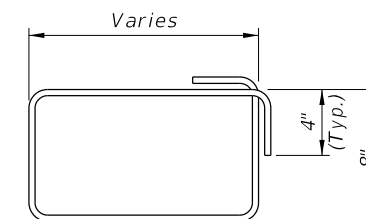


ELEVATION OF TRANSITION BLOCK  
(GUARDRAIL AND POSTS NOT SHOWN FOR CLARITY)

ESTIMATED QUANTITIES		
ITEM	UNIT	QUANTITY
Concrete Class NS	CY	0.4
Reinforcing Steel	LB	61
Guardrail (Reset)	LF	12.5



END VIEW A-A



#3 STIRRUP (FIELD BEND)

NOTES:

REINFORCING STEEL: Reinforcing steel shall be ASTM A615, Grade 60.

ANCHOR RODS: Steel Anchor Rods shall be ASTM A36, ASTM A709 Grade 36 or ASTM A615 Grade 60 hot-dip galvanized in accordance with Specification Section 962.

10/15/2023 11:12:22 AM