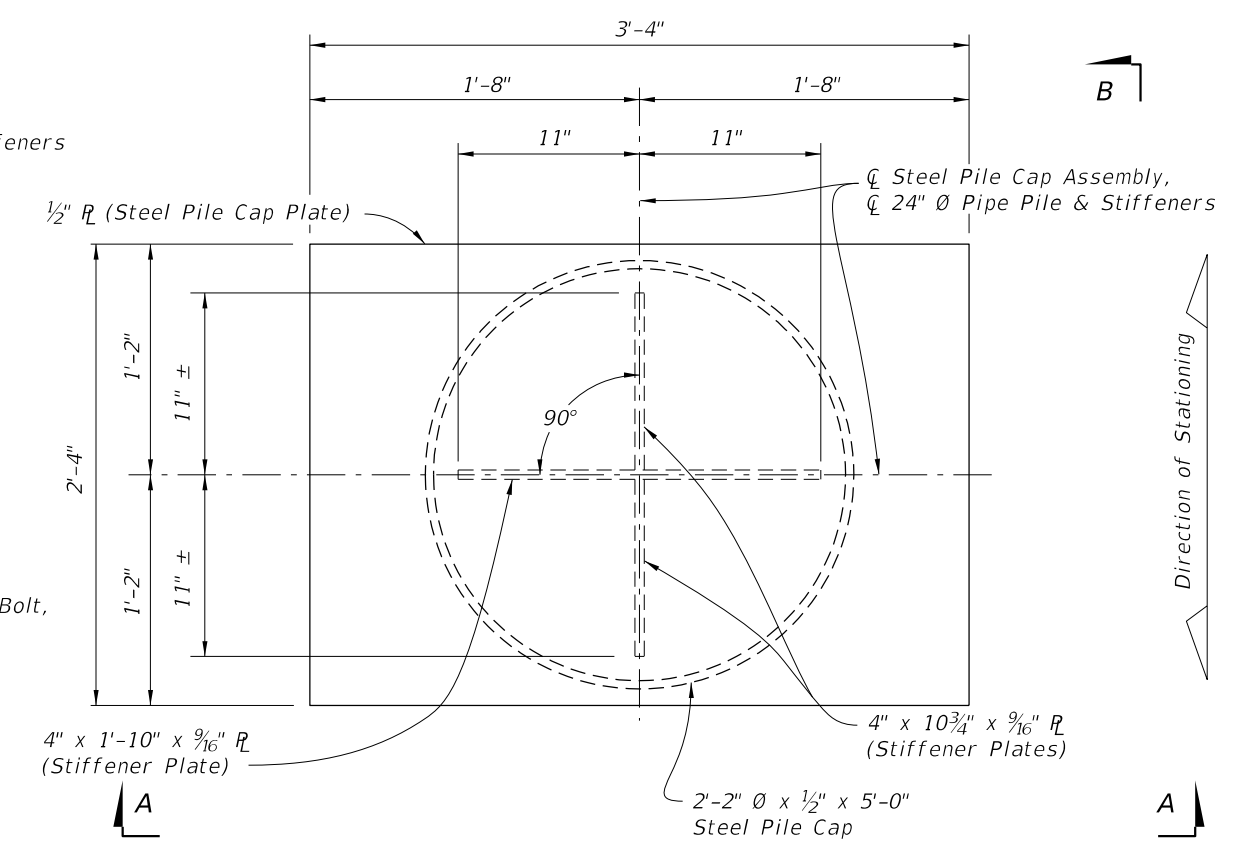
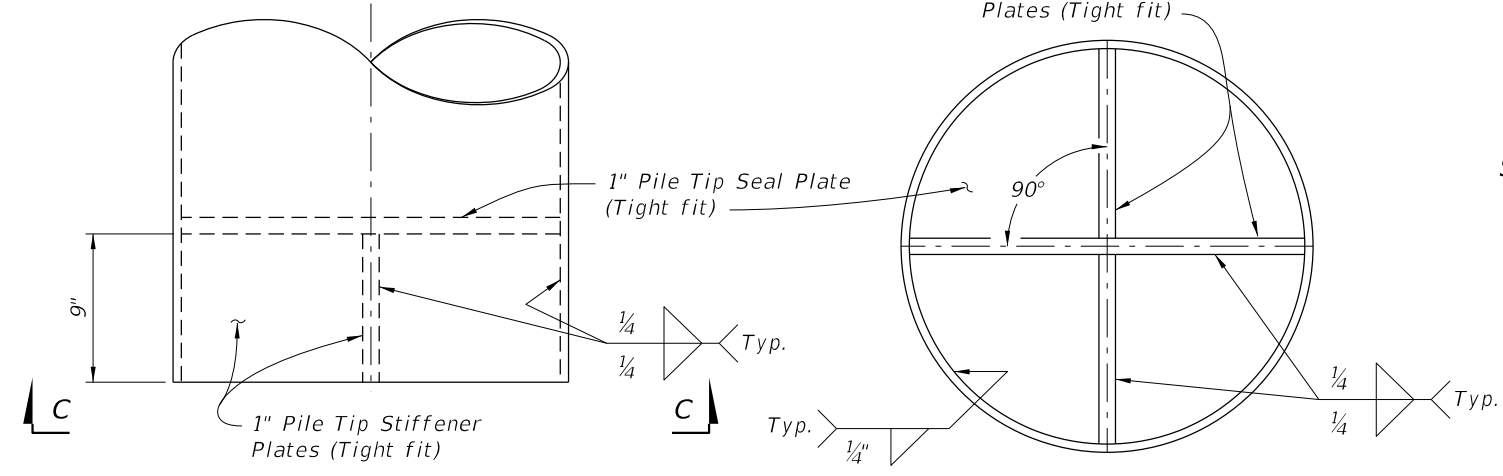


PARTIAL VIEW A-A

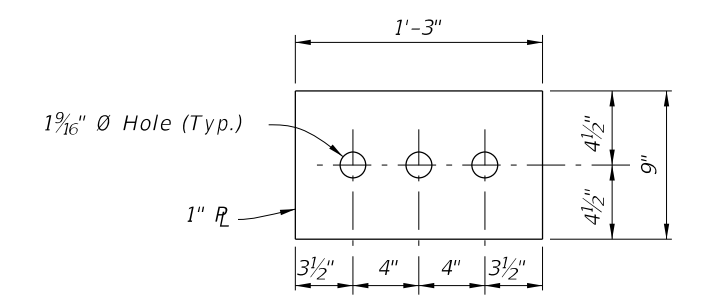


PLAN VIEW STEEL PILE CAP ASSEMBLY
(Bearing Plates and Bearing Keeper Bars not show for clarity)



VIEW B-B

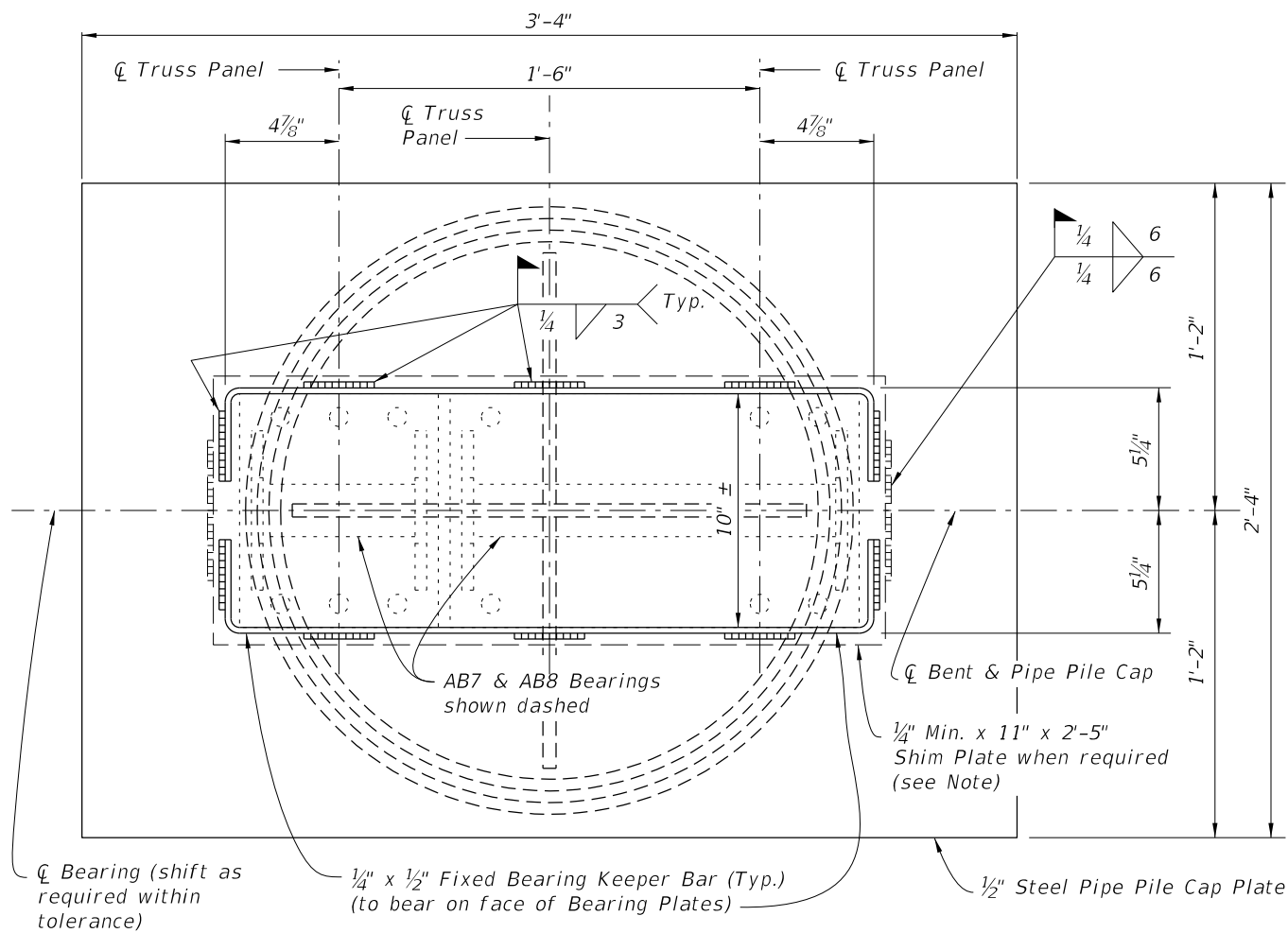
VIEW C-C
PILE TIP DETAIL



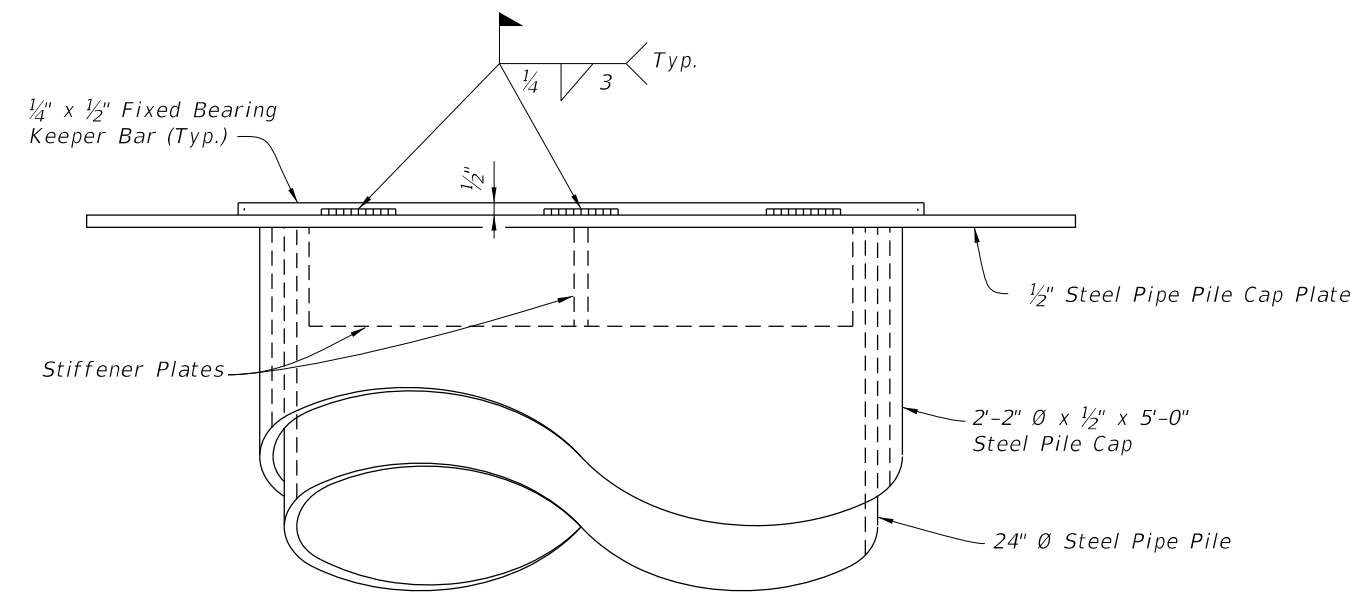
STRUT CONNECTOR PLATE DETAIL

10/15/2023 11:10:56 AM

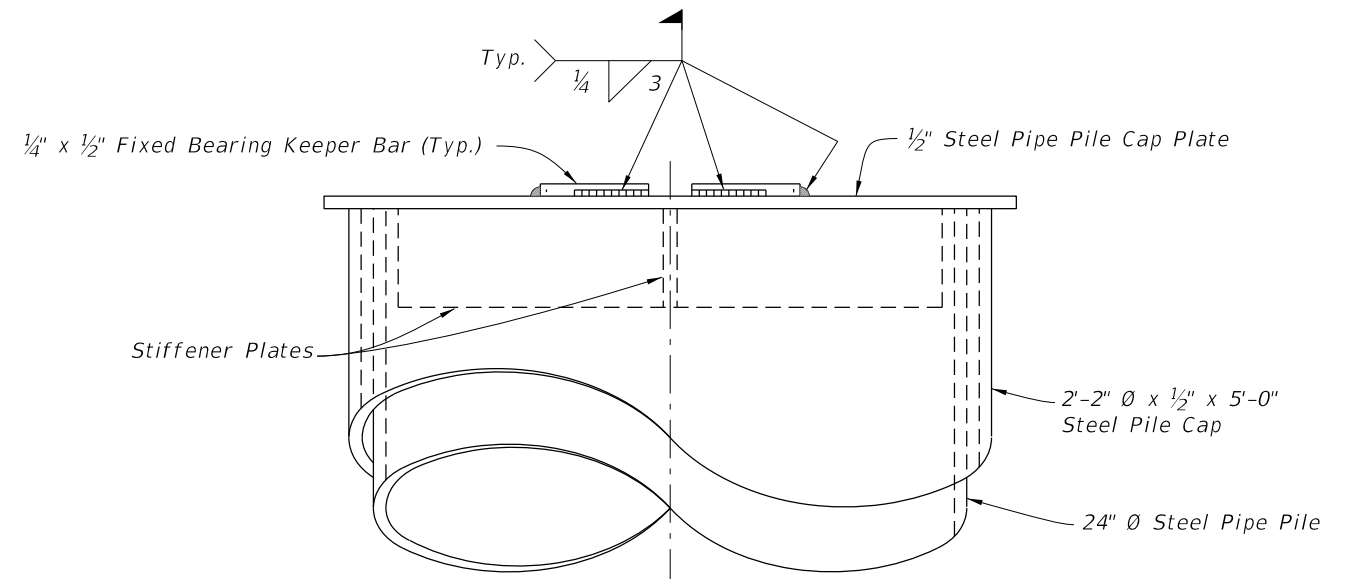
LAST REVISION 07/01/15	REVISION	DESCRIPTION:		FY 2024-25 STANDARD PLANS	TEMPORARY DETOUR BRIDGE DETAILS STEEL PIPE PILE FOUNDATIONS	INDEX 102-230	SHEET 1 of 3
---------------------------	----------	--------------	--	------------------------------	--	------------------	-----------------



PARTIAL PLAN VIEW

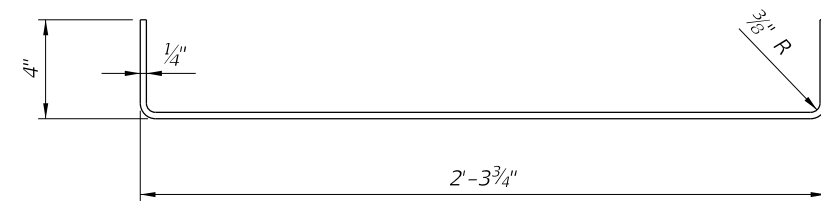


PARTIAL ELEVATION VIEW



END VIEW


Note:
Use Shim Plates as required to provide equal bearing seat elevations across the bent. Vary thickness of Shim Plate across the pile cap plate to provide a level bearing area in the transverse direction.

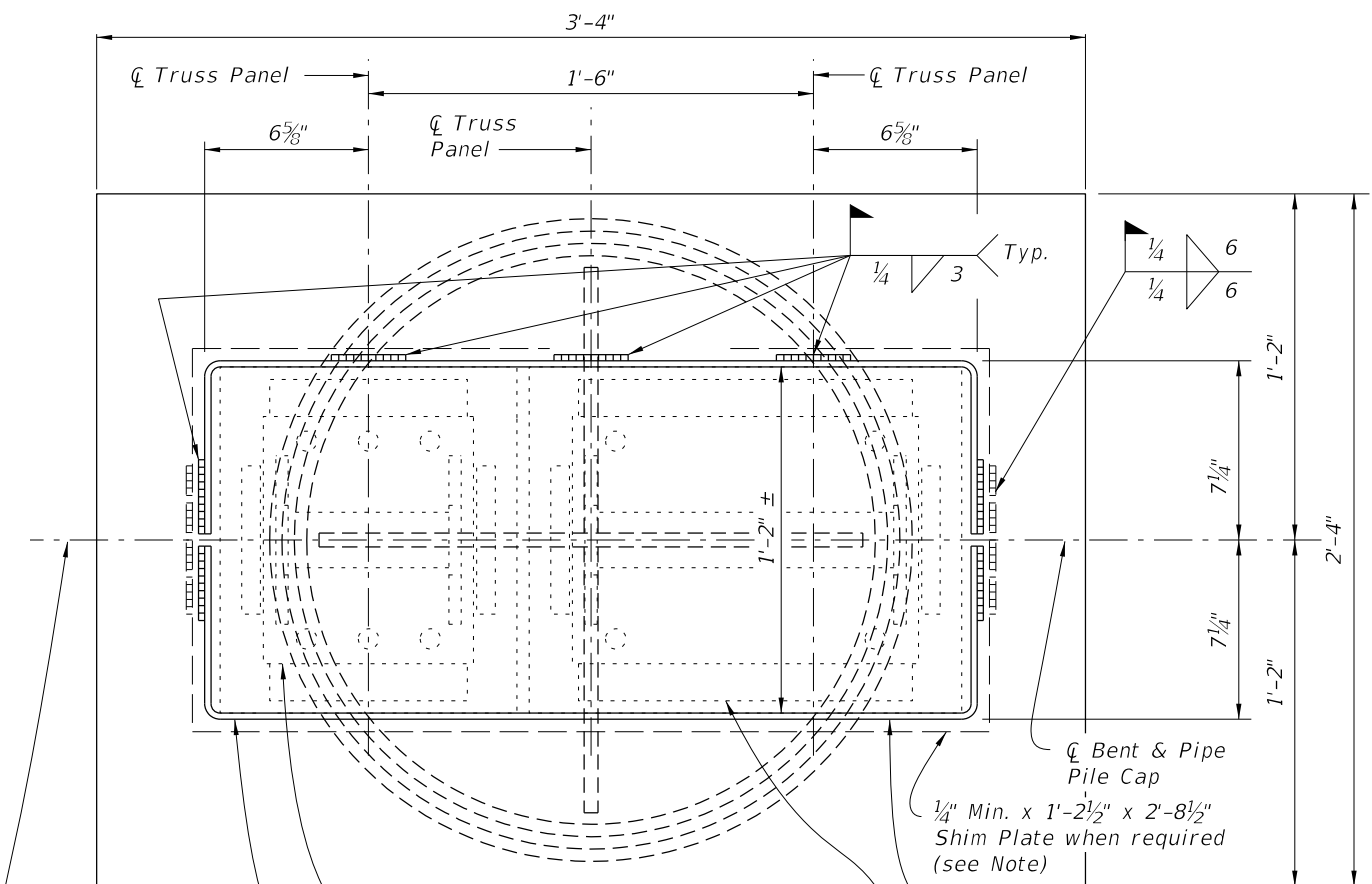


FIXED BEARING KEEPER BAR DETAIL

FIXED BEARING DETAILS

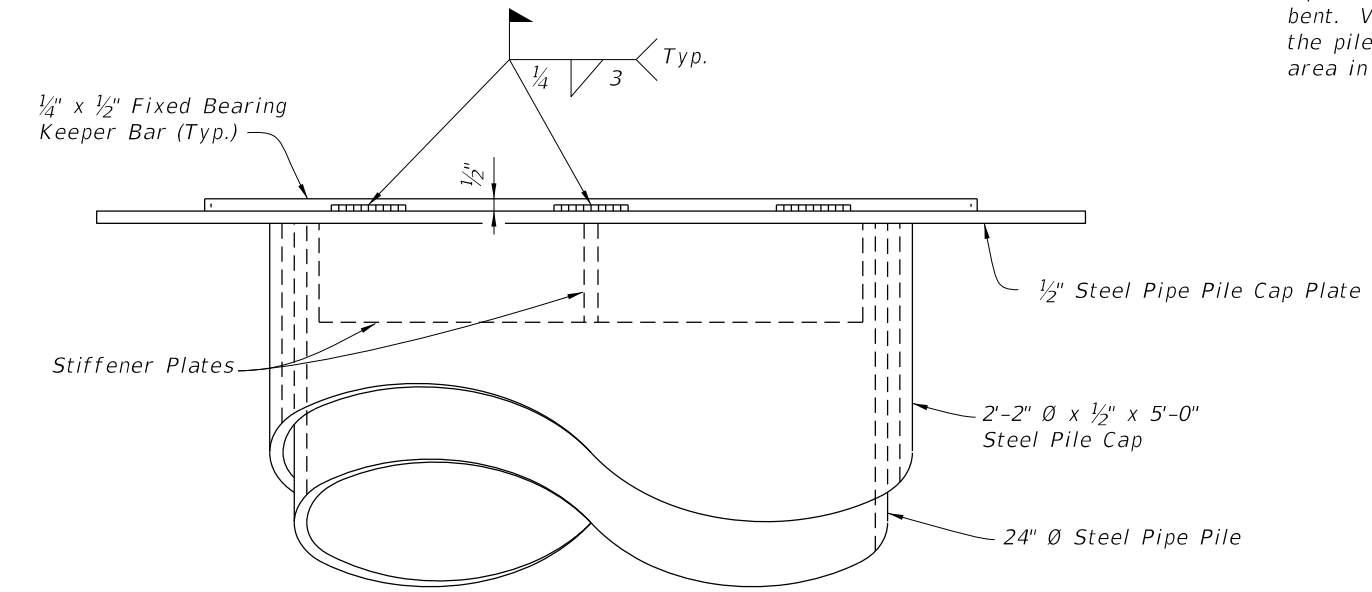
10/15/2023 11:11:03 AM

LAST REVISION 01/01/16	DESCRIPTION:		FY 2024-25 STANDARD PLANS	TEMPORARY DETOUR BRIDGE DETAILS STEEL PIPE PILE FOUNDATIONS	INDEX	SHEET
					102-230	2 of 3



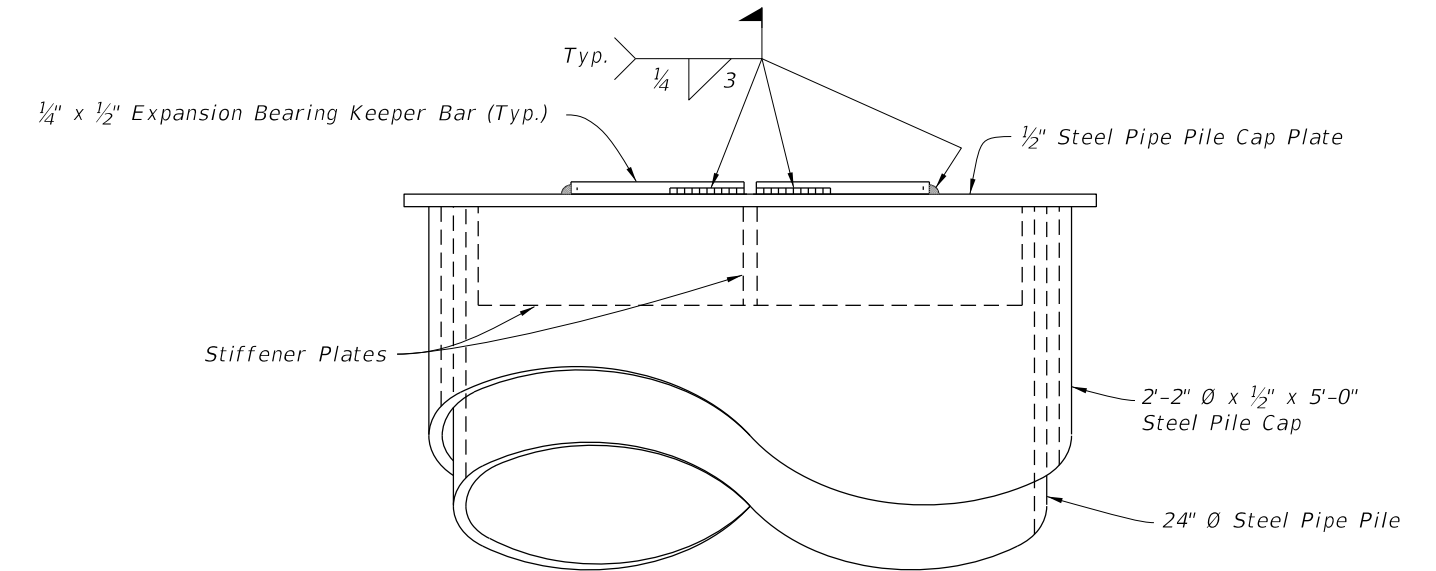
CL Bearing (shift as required within tolerance)
 Expansion Bearing Assemblies shown dashed
 $1/4" \times 1/2"$ Expansion Bearing Keeper Bar (Typ.) (to bear on face of Bearing Plates)
 $1/2"$ Steel Pipe Pile Cap Plate
 $\text{CL Bent \& Pipe Pile Cap}$
 $1/4"$ Min. $\times 1'-2\frac{1}{2}" \times 2'-8\frac{1}{2}"$ Shim Plate when required (see Note)

PARTIAL PLAN VIEW

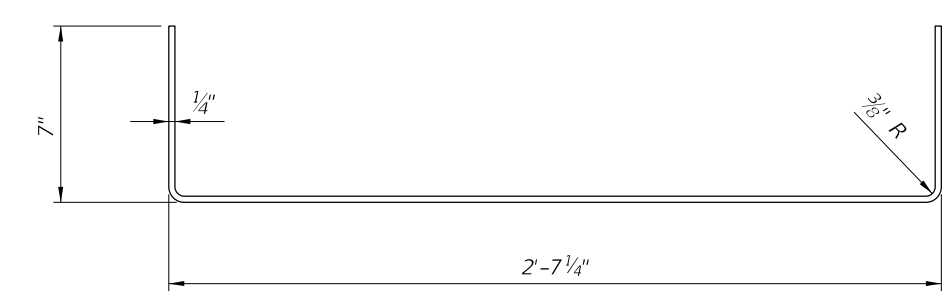


PARTIAL ELEVATION VIEW

Note:
 Use Shim Plates as required to provide equal bearing seat elevations across the bent. Vary thickness of Shim Plate across the pile cap plate to provide a level bearing area in the transverse direction.




END VIEW



EXPANSION BEARING KEEPER BAR DETAIL

ABUTMENT AND INTERMEDIATE EXPANSION BEARING DETAILS

10/15/2023 11:11:10 AM

LAST REVISION 01/01/16	REVISION	DESCRIPTION:		FY 2024-25 STANDARD PLANS	TEMPORARY DETOUR BRIDGE DETAILS STEEL PIPE PILE FOUNDATIONS	INDEX 102-230	SHEET 3 of 3
---------------------------	----------	--------------	--	------------------------------	--	------------------	-----------------