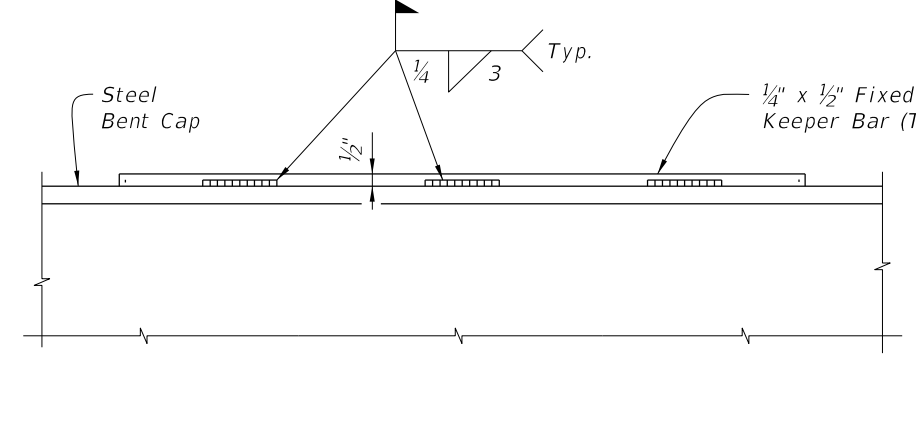
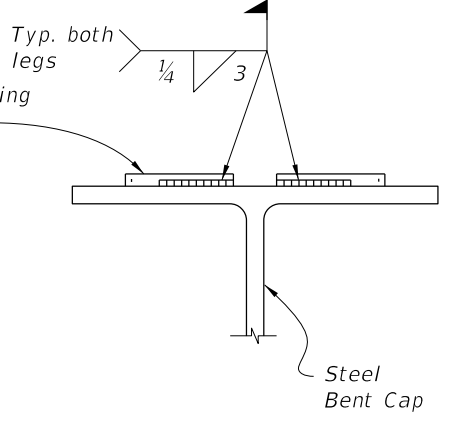


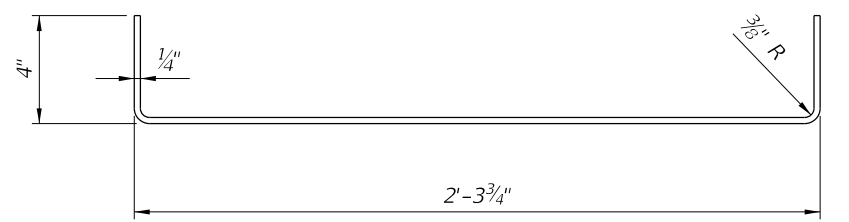
PARTIAL PLAN VIEW



PARTIAL ELEVATION VIEW

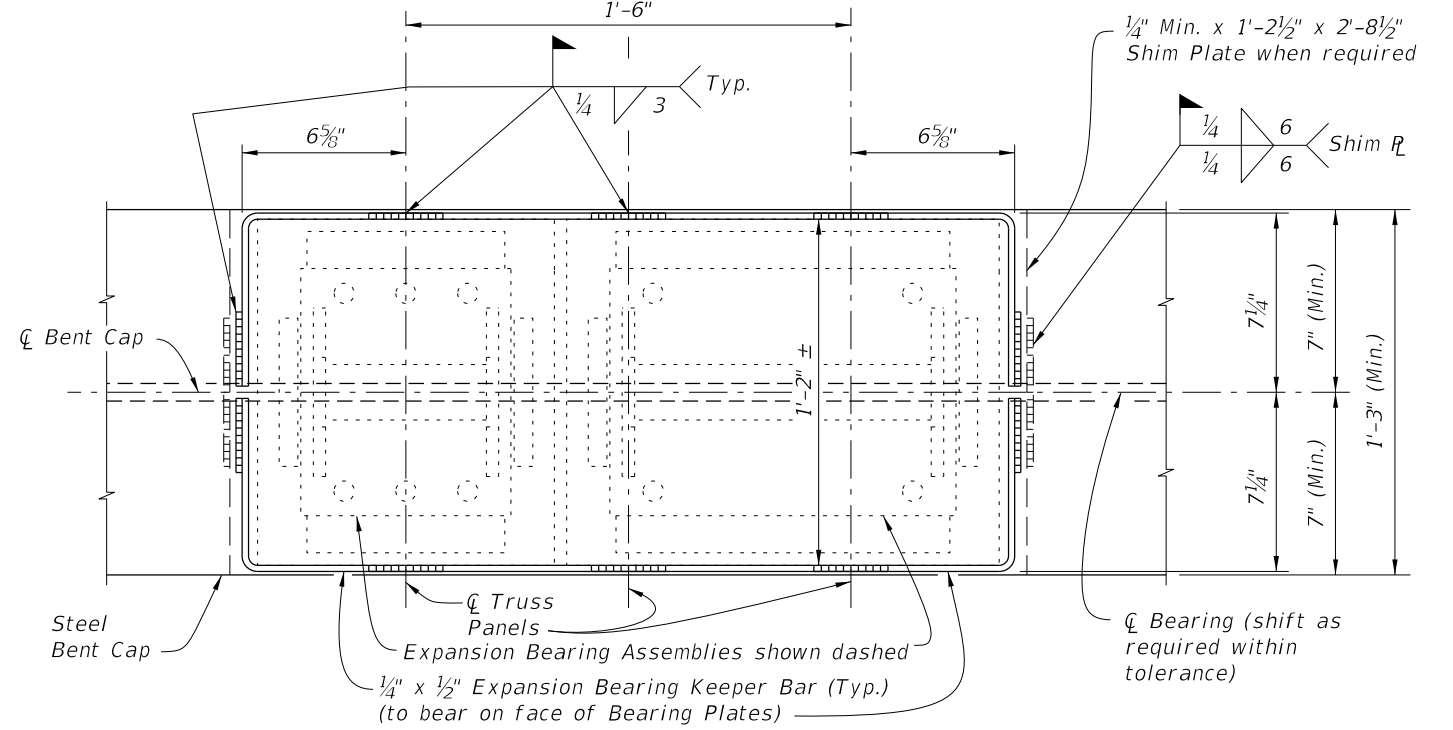


END VIEW

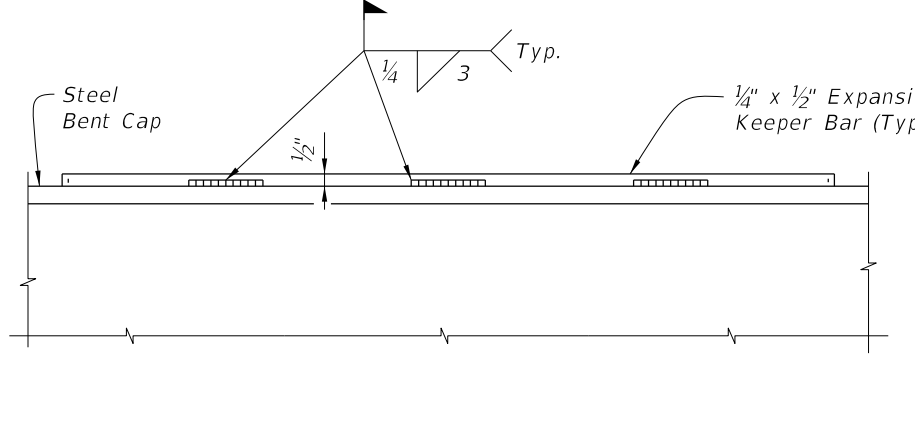


FIXED BEARING KEEPER BAR DETAIL

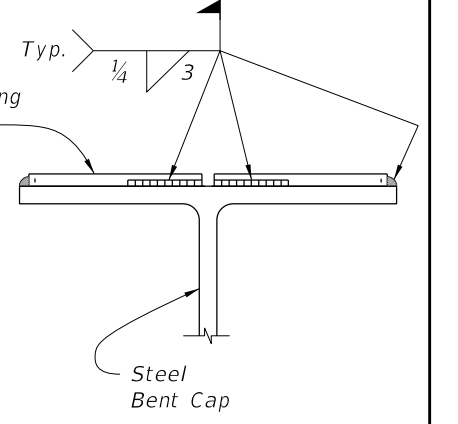
FIXED BEARING DETAILS



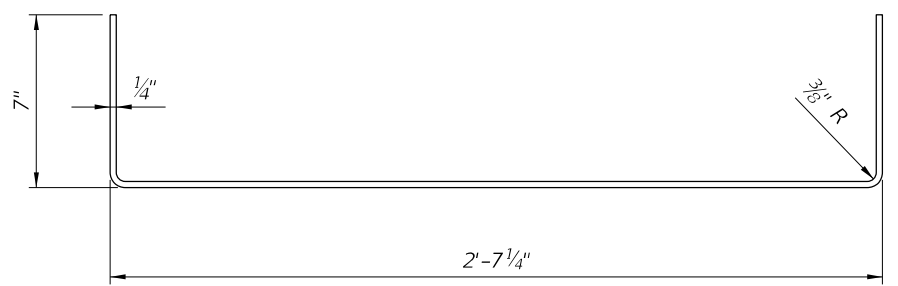
PARTIAL PLAN VIEW



PARTIAL ELEVATION VIEW




END VIEW

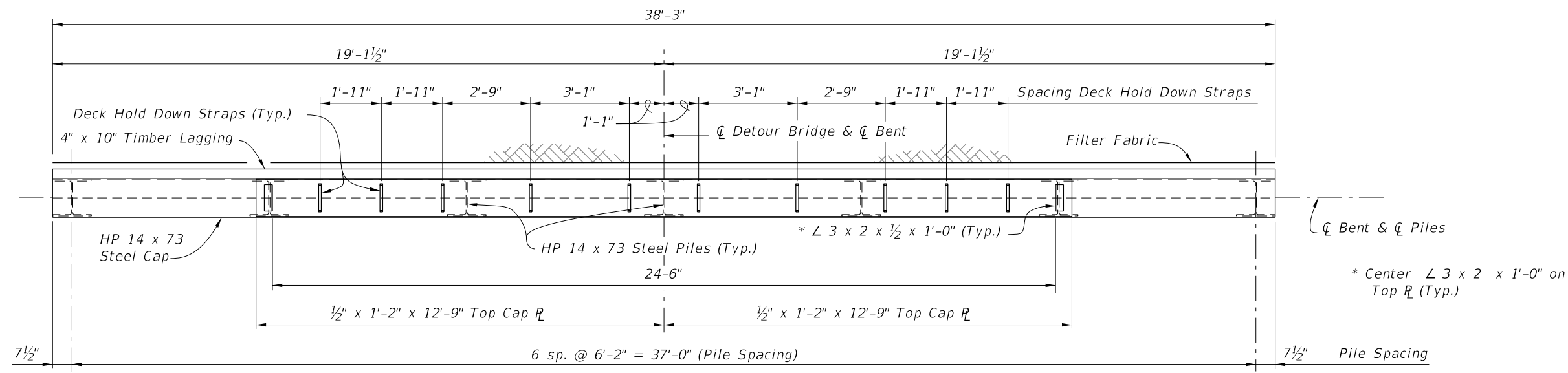


EXPANSION BEARING KEEPER BAR DETAIL

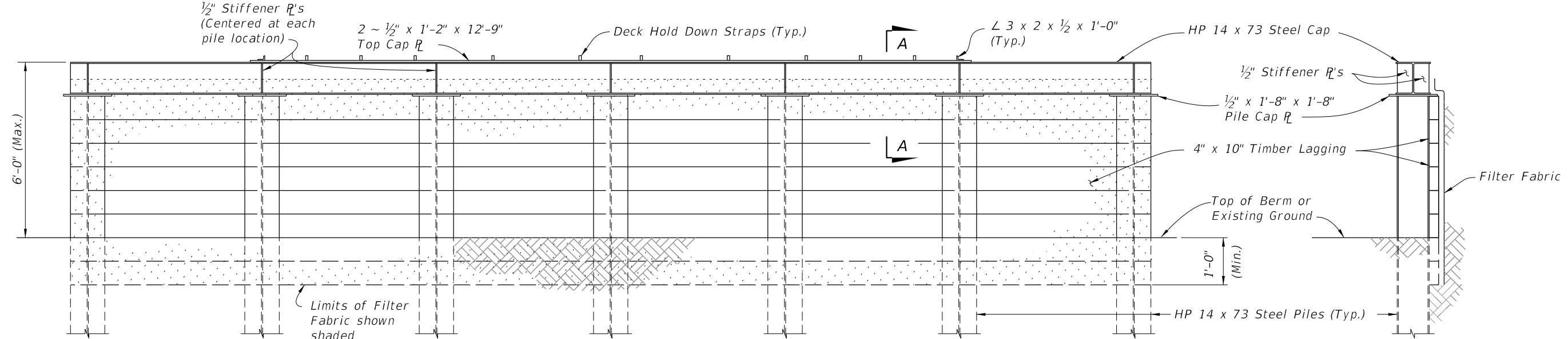
EXPANSION BEARING DETAILS

10/15/2023 11:10:14 AM

LAST REVISION 01/01/16	REVISION	DESCRIPTION:		FY 2024-25 STANDARD PLANS	TEMPORARY DETOUR BRIDGE DETAILS STEEL H PILE FOUNDATIONS	INDEX 102-220	SHEET 1 of 2
---------------------------	----------	--------------	--	------------------------------	---	------------------	-----------------

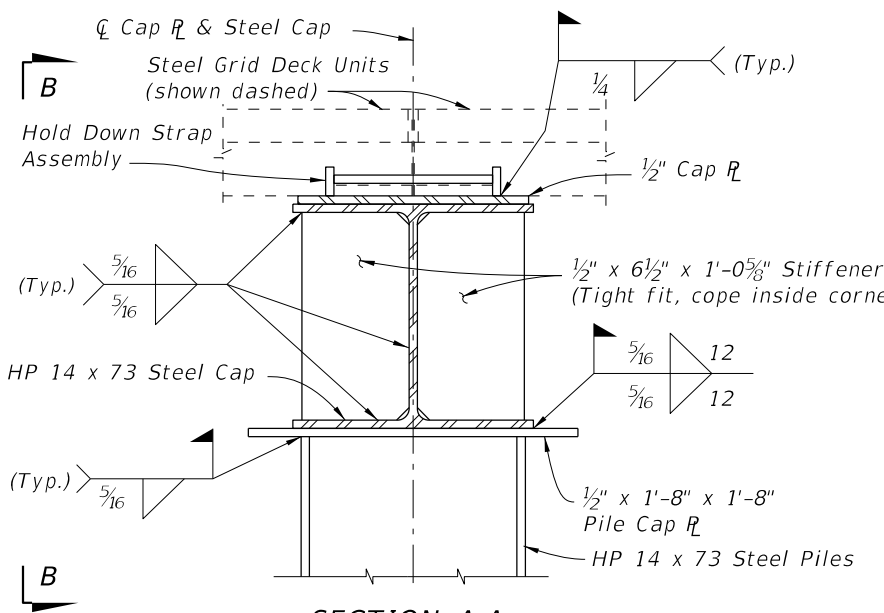


PLAN VIEW

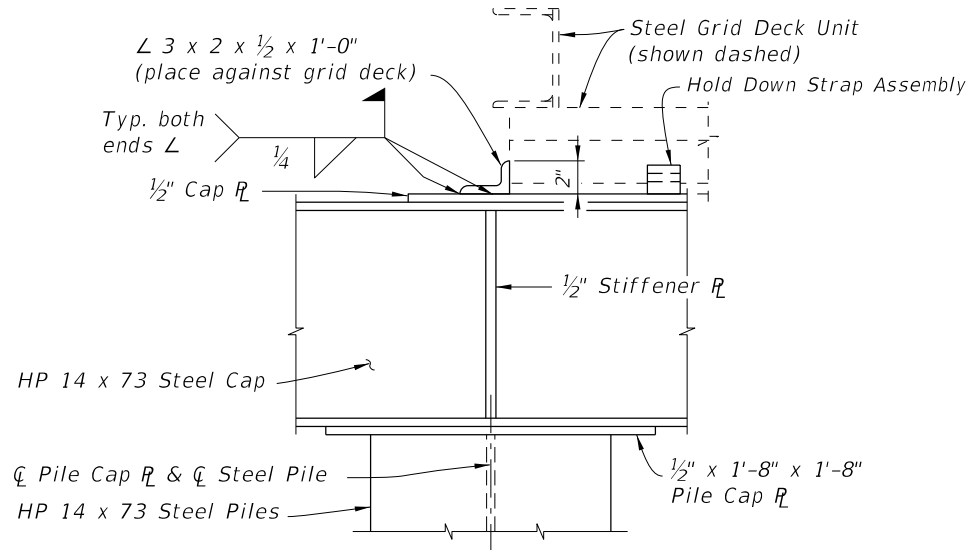


ELEVATION VIEW

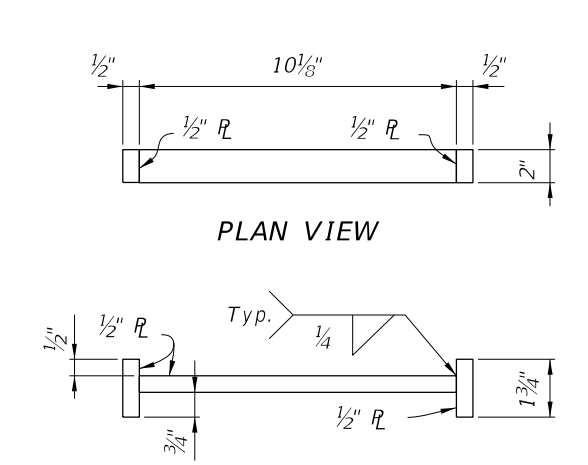
END VIEW



SECTION A-A
(LAGGING NOT SHOWN FOR CLARITY)



VIEW B-B



BACKWALL BENT DETAILS

10/15/2023 11:10:21 AM

LAST REVISION 07/01/06	REVISION	DESCRIPTION:		FY 2024-25 STANDARD PLANS	TEMPORARY DETOUR BRIDGE DETAILS STEEL H PILE FOUNDATIONS	INDEX 102-220	SHEET 2 of 2
---------------------------	----------	--------------	--	------------------------------	---	------------------	-----------------