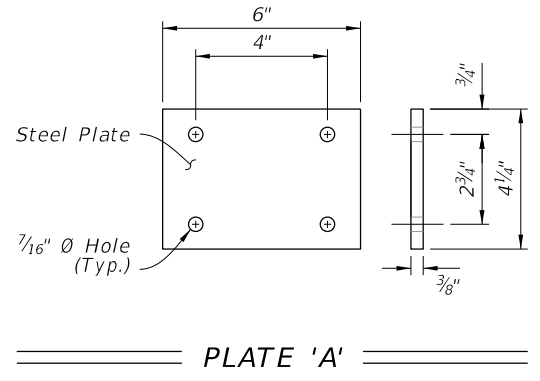
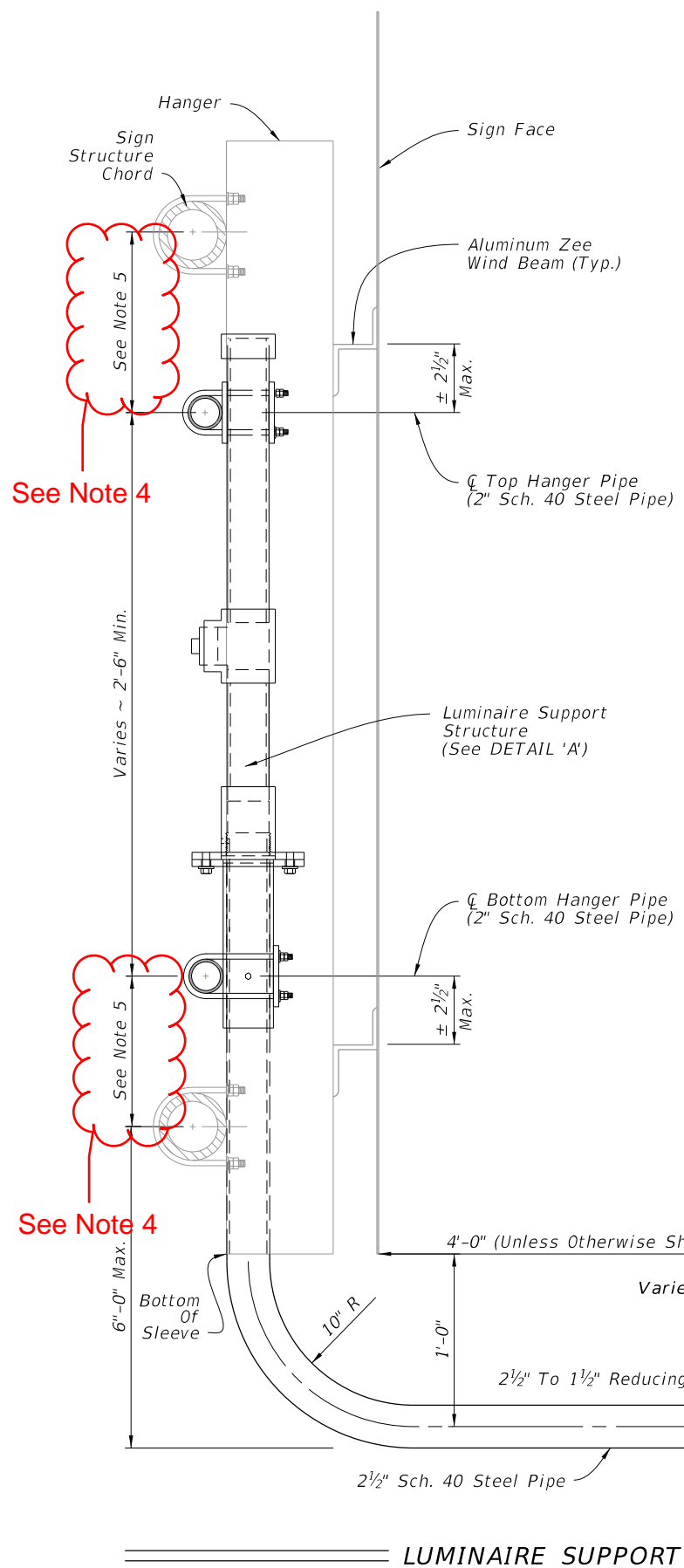
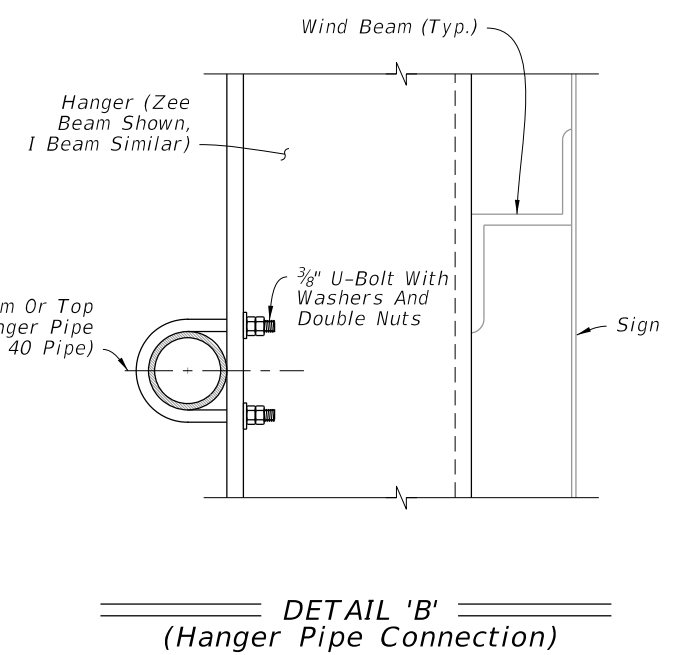
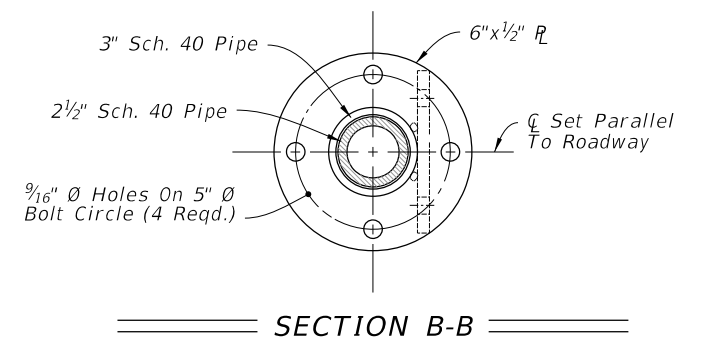
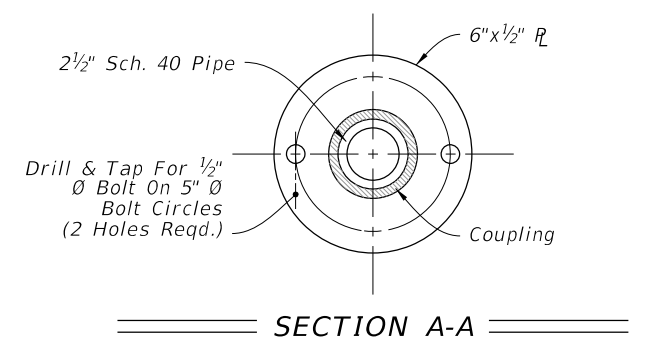
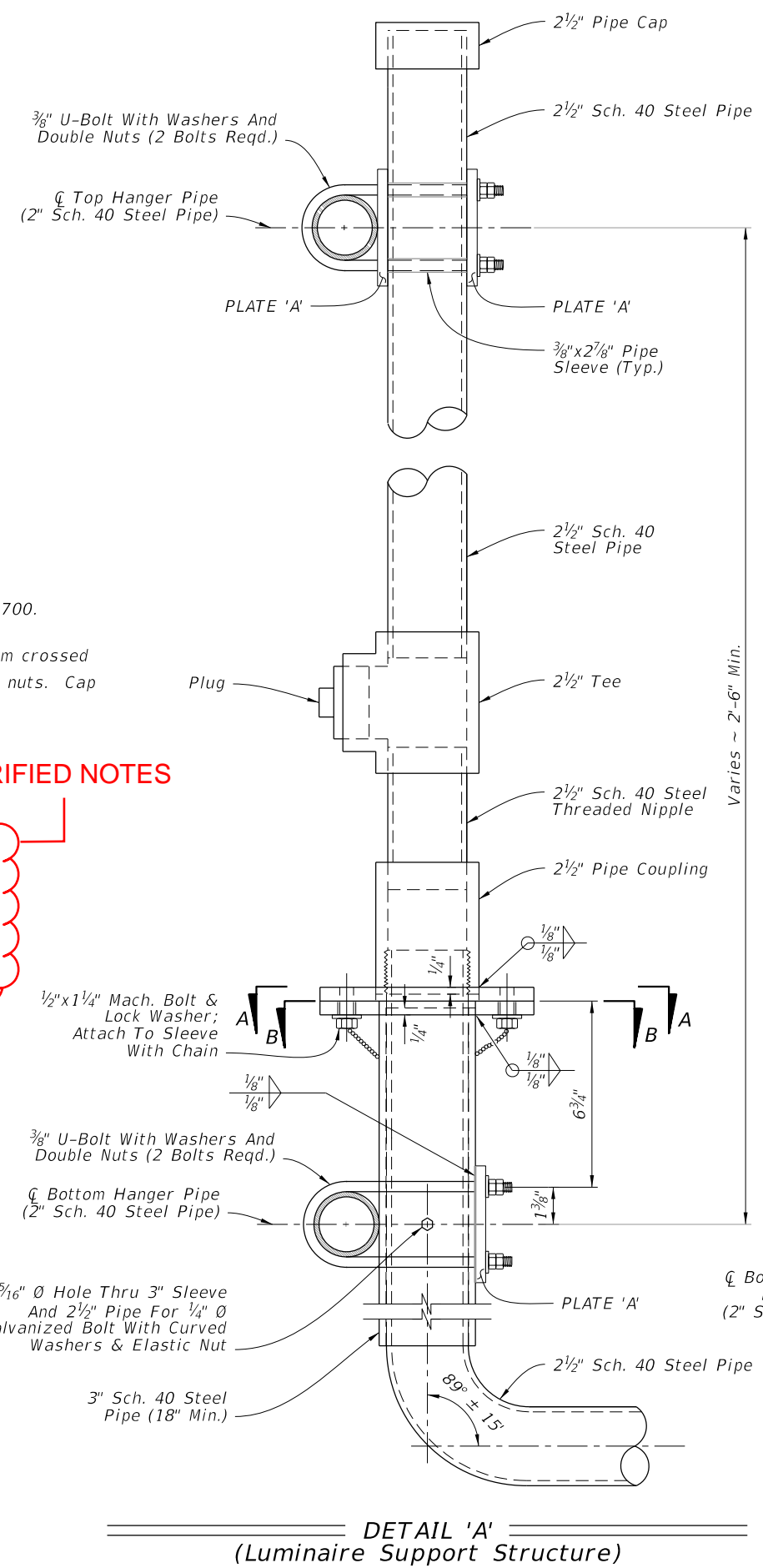


10/3/2023 3:02:56 PM



- NOTES:**
1. Meet the requirements of Specification 700.
 2. Install hanger pipe to each vertical beam crossed with a 3/8" U-Bolt, lock washers and hex nuts. Cap both ends of the horizontal pipe.
 3. All pipe dimensions are NPS.
 4. Chord O.D. + 5" (Min.)

5 Materials:
 A. Steel Pipe: ASTM A53 (Grade A or B)
 B. Steel Plate: ASTM A36
 C. Bolts: ASTM A307
 D. Hex Nuts: ASTM A563
 E. Washers: ASTM F436



LUMINAIRE SUPPORT STRUCTURE

DETAIL 'A'
(Luminaire Support Structure)

DETAIL 'B'
(Hanger Pipe Connection)

LAST REVISION 11/01/22	DESCRIPTION:		FY 2024-25 STANDARD PLANS	EXTERNAL LIGHTING FOR SIGNS	INDEX	SHEET
					700-031	2 of 2