

Index 430-001 Miscellaneous Drainage Details

Design Criteria

FDOT Design Manual (FDM); Drainage Manual (DM);

Design Assumptions and Limitations

Supplemental Details for use with other Drainage Indexes.

Plan Content Requirements

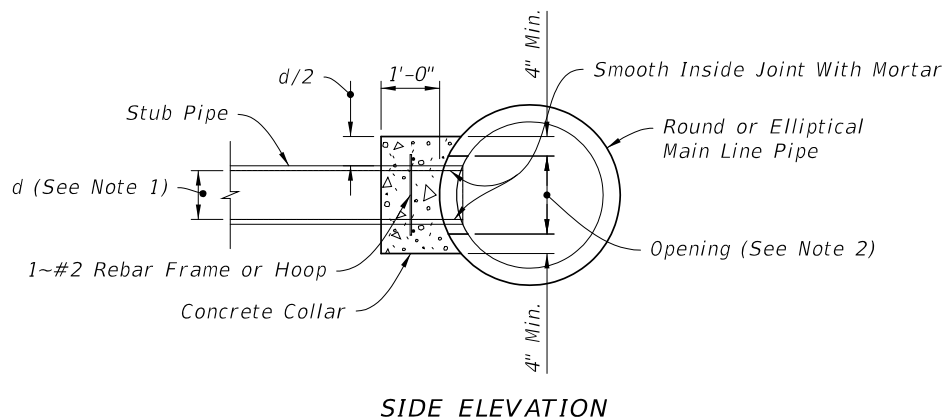
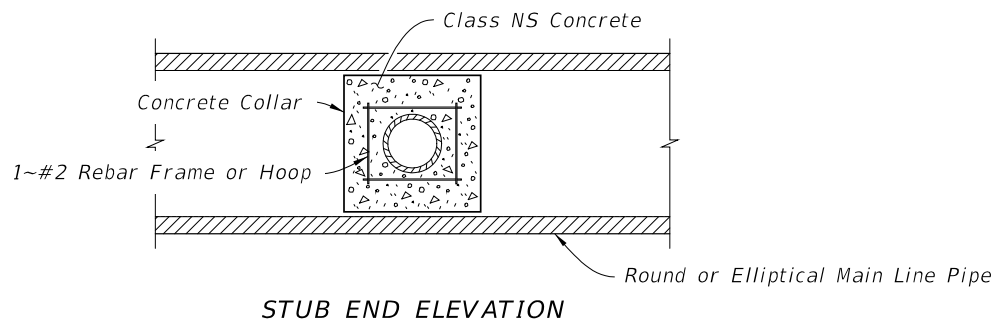
Included with other Drainage items.

Payment

Item number	Item Description	Unit Measure
N/A	Included in other Pay Items	N/A

Example: Stub Connection Detail

Stub connections require approval of the District Drainage Engineer.



JOINING MAINLINE PIPE TO STUB PIPE

NOTES:

1. Stub Pipes maximum diameter: $\frac{1}{2}$ of a round main line pipe diameter, or $\frac{1}{2}$ the height of elliptical main line pipes.
2. Opening by Pipe Manufacturer.