

GENERAL NOTES:

This Index is only applicable to the current FDOT inventory of temporary bridge components which are manufactured in accordance with Acrow Series 300, Triple Single design.

Work this Index with Index 102-210, 102-220, 102-230 and 102-240.

STRUCTURAL STEEL:

*Steel Plates and Rolled Sections shall be ASTM A709 Grade 36.
Pipe piles shall be ASTM A252 Grade 2, Fy = 35 ksi.*

BOLTS, LAG SCREWS AND THREADED BOLT STOCK:

Furnish high strength bolts in accordance with ASTM F3125 Grade A325 Type 1. Furnish Threaded Stock in accordance with ASTM A36. Furnish Lag Screws in accordance with ASTM A307. Furnish steel washers and nuts compatible with Bolts, Threaded Stock and Lag Screws.

TIMBER AND LAGGING:

Timber and Lagging shall be No. 1 Southern Yellow Pine.

BACKWALL BENT PILES:

*Timber Piles:
10' Minimum Embedment into compacted backfill or into soil having a blow count greater than 6 (N>6).
Ultimate Capacity greater than 18 tons.
Splices are not allowed on any timber piles.*

H-Piles:

*12' Minimum Embedment into compacted backfill or into soil having a blow count greater than 6 (N>6).
Ultimate Capacity greater than 18 tons.*

*Shims admissible between backwall pile and cap.
Test piles are not required for backwall piles.*

EXPANSION BEARINGS:

*Inspect the PTFE (Teflon) layer and stainless steel plate prior to installation.
Do not use bearings that have a severely damaged or unbonded PTFE layer.
Clean PTFE of all grit and grime prior to installation.
Clean Stainless steel plate of all grit and grime prior to installation and finish to a smooth buffed surface.*

DISTRIBUTING BEAMS:

*Longitudinal stops restraining the distributing beams may be lengthened or shortened to center the distributing beam bearing on the cap beam.
The longitudinal stops are to bear on the distributing beam end frame.*

EXPANSION JOINT SETTINGS:

Install the expansion joint considering the total continuous bridge length, location of fixed bearings and ambient temperature at the time of installation, assume a 1" expansion joint opening at 70 degrees F.

STORAGE FACILITY:

Contact
FDOT Statewide Aluminum Shop
2590 Camp Rd.
Oviedo, Fl.
407-278-2727
For shipping weights and dimensions of Temporary Bridge elements.

SHIPPING WEIGHTS AND DIMENSIONS:

Decking Sizes:

Type	Length	Width	Weight (lbs.)
Curb	5'	6'-9"	800
Curb	10'	6'-9"	1420
Curb	15'	6'-9"	2200
Curb	20'	6'-9"	2800
NonCurb	5'	5'-3"	650
NonCurb	10'	5'-3"	1000
NonCurb	15'	5'-3"	1600
NonCurb	20'	5'-3"	2100

Shipping weights and dimensions of other bridge components can be referenced in "Acrow Panel Bridging, Series 300, Technical Handbook".

TRAFFIC RAILING NOTES:

See Index 536-001 for component details, geometric layouts and associated notes not fully detailed herein.

CONCRETE: Concrete for Transition Blocks shall be Class II (Bridge Deck).

THRIE-BEAM PANEL: Steel Thrie-Beam Elements shall meet the requirements of AASHTO M180, Type II (Zinc coated).

BOLTS, NUTS AND WASHERS: Bolts, nuts and round washers shall be in accordance with AASHTO M180. Plate Washers shall be in accordance with ASTM A36 or ASTM A709 Grade 36. Do not drill Temporary Bridge components to attach Guardrail. Guardrail Bolts shall be placed between Truss members as shown in Index 102-240.

COATINGS: All Nuts, Bolts, Anchors, Washers and Backer Plates shall be hot-dip galvanized in accordance with the Specifications.


WOOD BLOCKS: All wood blocks, including required wedge shaped blocks shall be Pressure Treated Lumber in accordance with Specifications Section 955. Bolt holes in blocks to be centered ($\pm 1/4"$).

PAYMENT:

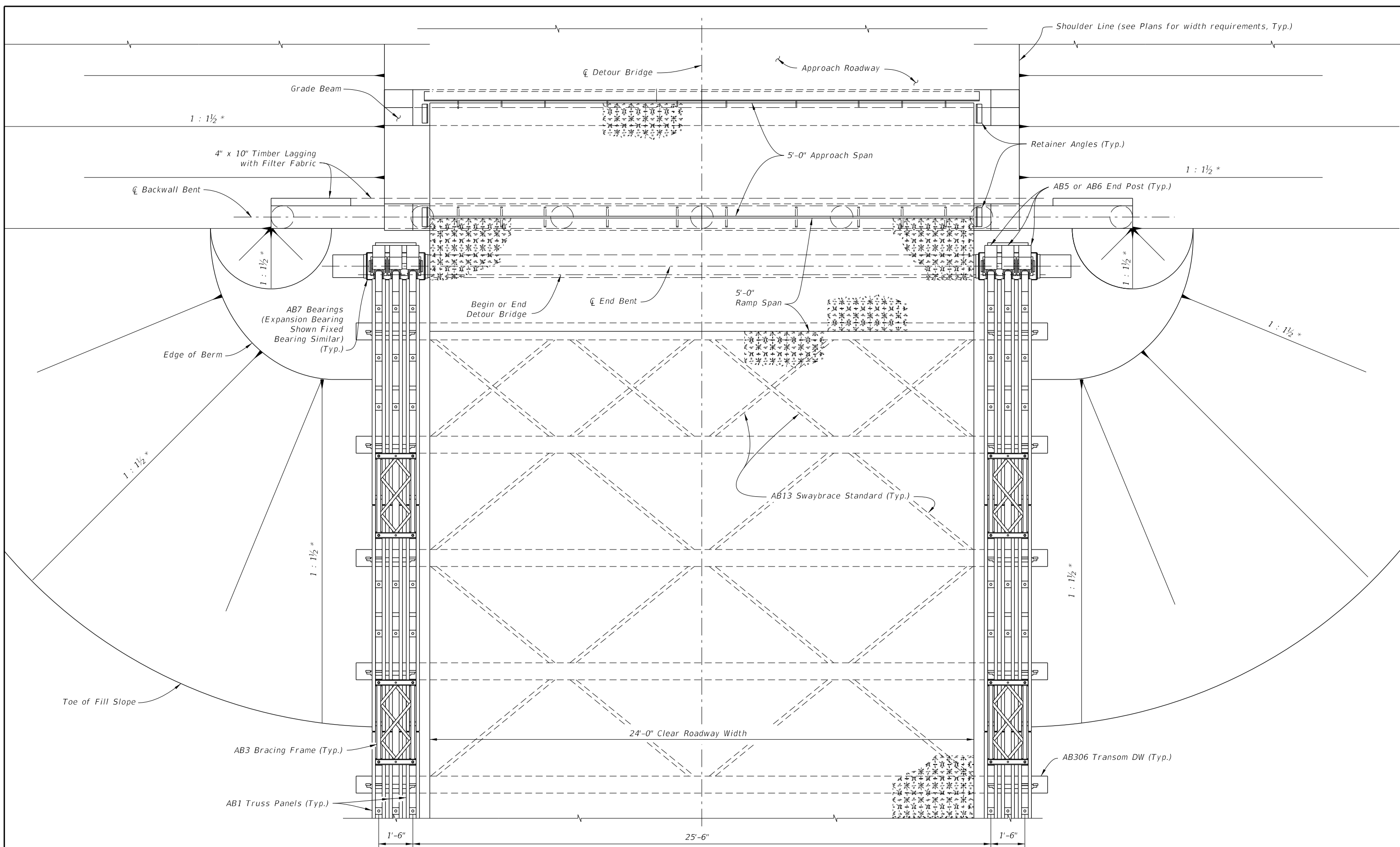
Temporary Detour Bridge is to be paid for under Contract Unit Price for Special Detour. If a temporary bridge system other than that shown herein is used, the Contractor is responsible for renting or purchasing their own system. Payment for Temporary Guardrail work and Transition Block will be made under Pay Item Temporary Guardrail, LF.

Furnish and install Bridge Thrie-Beam Panels and all associated hardware as shown. Payment will be made with the Temporary Detour Bridge under the Pay Item Special Detour, LS. Turn over Bridge Thrie-Beam Panels and all associated hardware to the Department with the Detour Bridge components per Specifications Section 102-6.

10/21/2022 11:09:19 AM


LAST REVISION 11/01/22	REVISION	DESCRIPTION:	 FY 2023-24 STANDARD PLANS	TEMPORARY ACROW 300 SERIES DETOUR BRIDGE GENERAL NOTES AND DETAILS	INDEX 102-200	SHEET 1 of 7
------------------------------	----------	--------------	---	---	-------------------------	------------------------

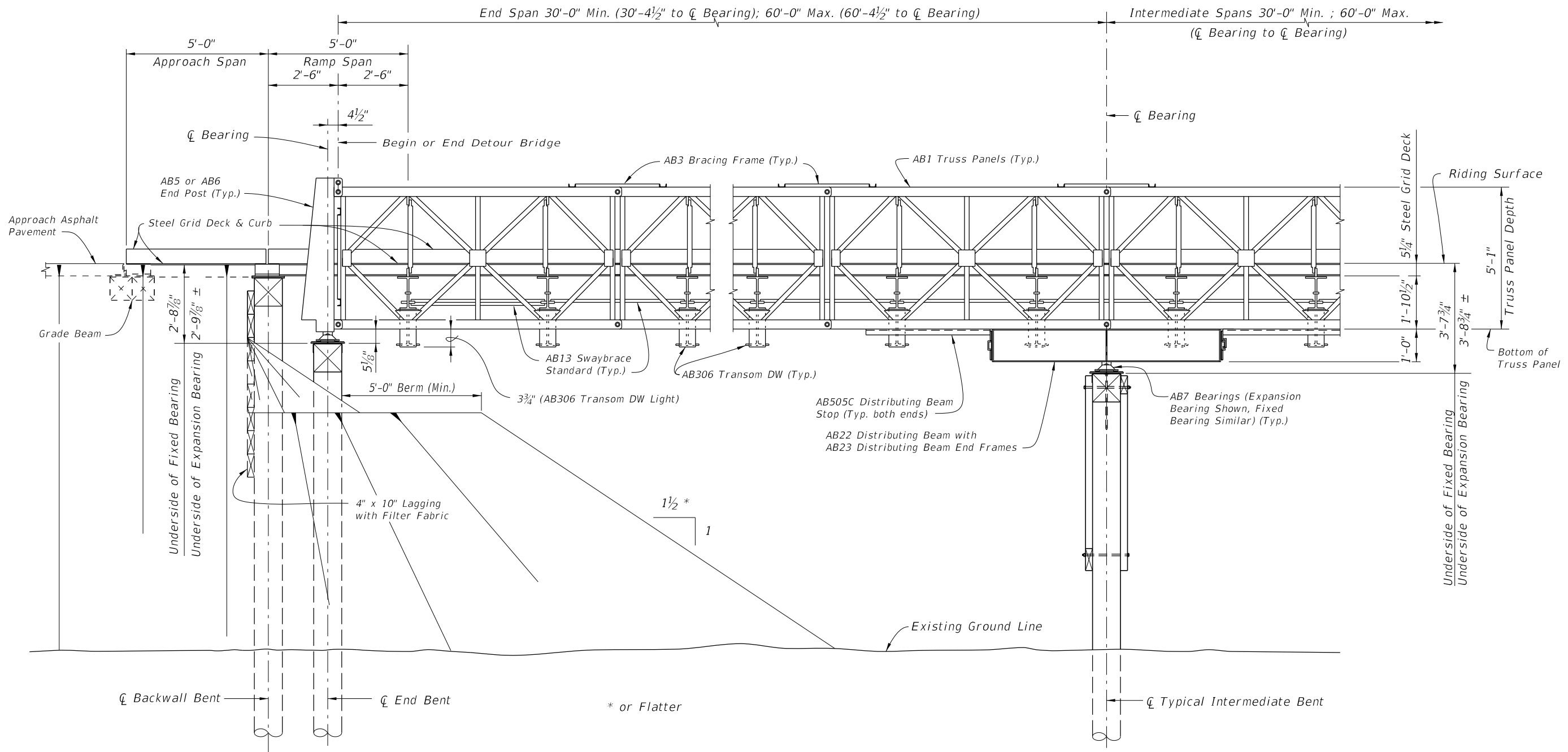
10/21/2022 11:09:22 AM



TYPICAL PLAN VIEW OF DETOUR BRIDGE
 (TIMBER PILES SHOWN, STEEL H PILES AND STEEL PIPE PILES SIMILAR)
 (Thrie-Beam Panel not shown for clarity, See Index 102-240)

* or Flatter

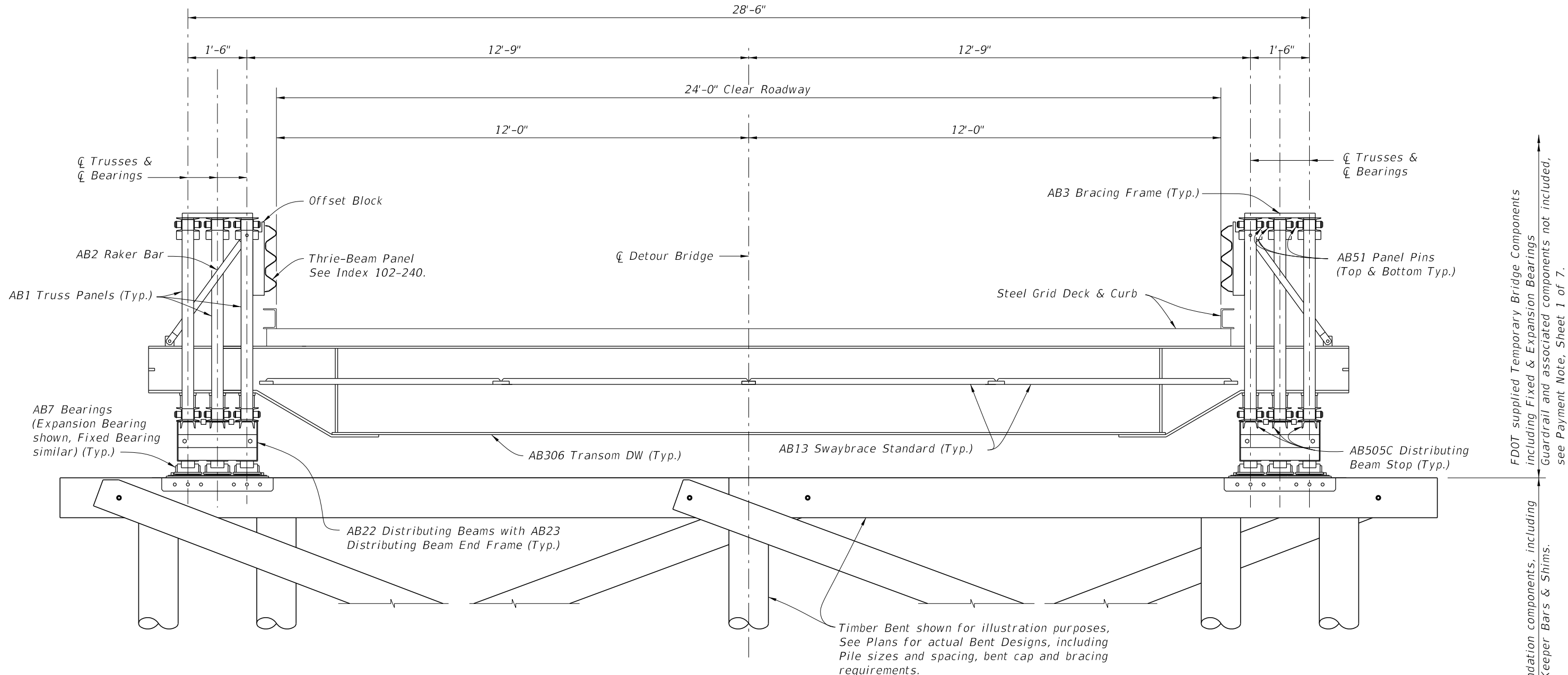
LAST REVISION 11/01/22	DESCRIPTION:	 FY 2023-24 STANDARD PLANS	TEMPORARY ACROW 300 SERIES DETOUR BRIDGE GENERAL NOTES AND DETAILS	INDEX 102-200	SHEET 2 of 7
---------------------------	--------------	---	---	------------------	-----------------



ELEVATION VIEW
(TIMBER PILES SHOWN, STEEL H PILES AND STEEL PIPE PILES SIMILAR)
(Thrie-Beam Panel not shown for clarity, See Index 102-240)

10/21/2022 11:09:24 AM

LAST REVISION 11/01/22	REVISION	DESCRIPTION:	 FY 2023-24 STANDARD PLANS	TEMPORARY ACROW 300 SERIES DETOUR BRIDGE GENERAL NOTES AND DETAILS	INDEX 102-200	SHEET 3 of 7
---------------------------	----------	--------------	--	---	------------------	-----------------

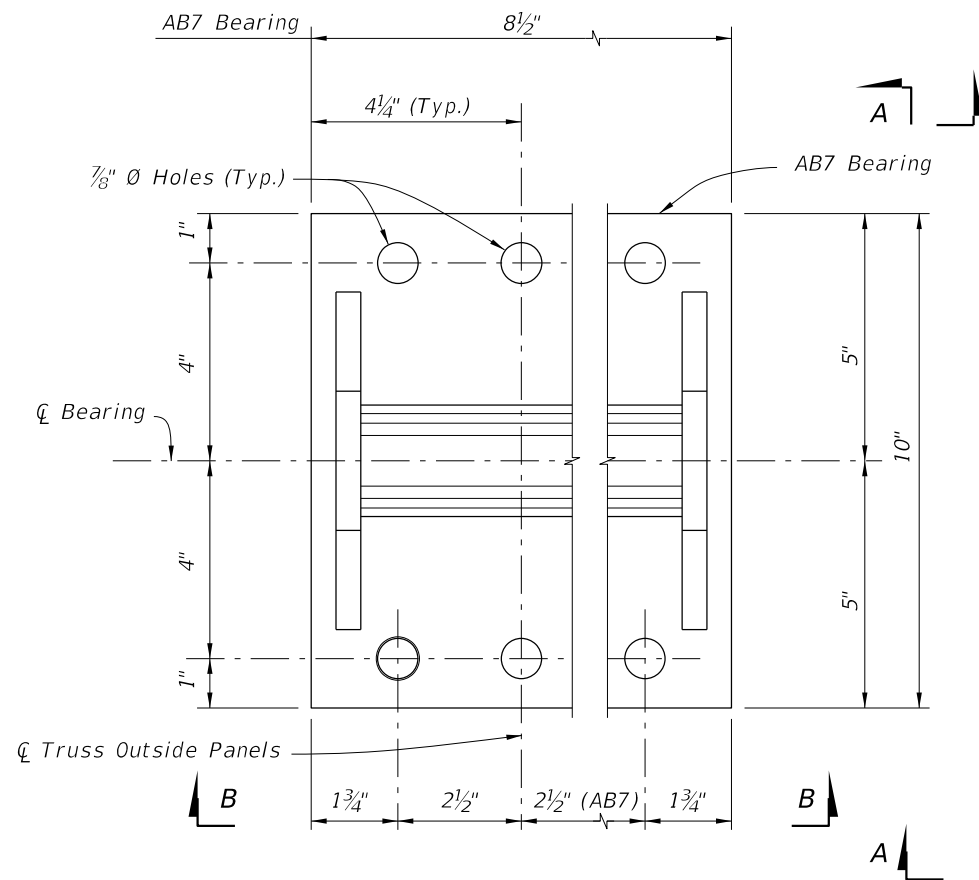


TYPICAL SECTION THRU DETOUR BRIDGE AT INTERIOR BENTS (TYPICAL SECTION AT END BENTS SIMILAR WITHOUT DISTRIBUTING BEAMS)
 (TIMBER PILES SHOWN, STEEL H PILES AND STEEL PIPE PILES SIMILAR)

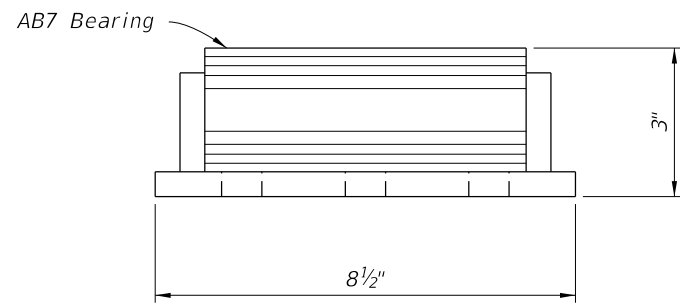
Contractor supplied foundation components, including Bearing Saddle Plates, Keeper Bars & Shims.
 FDOT supplied Temporary Bridge Components including Fixed & Expansion Bearings, Guardrail and associated components not included, see Payment Note, Sheet 1 of 7.

10/21/2022 11:09:26 AM

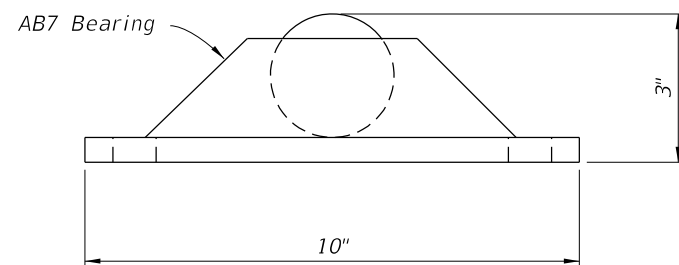
LAST REVISION 11/01/22	REVISION	DESCRIPTION:		FY 2023-24 STANDARD PLANS	TEMPORARY ACROW 300 SERIES DETOUR BRIDGE GENERAL NOTES AND DETAILS	INDEX 102-200	SHEET 4 of 7
---------------------------	----------	--------------	--	------------------------------	---	------------------	-----------------



PLAN VIEW

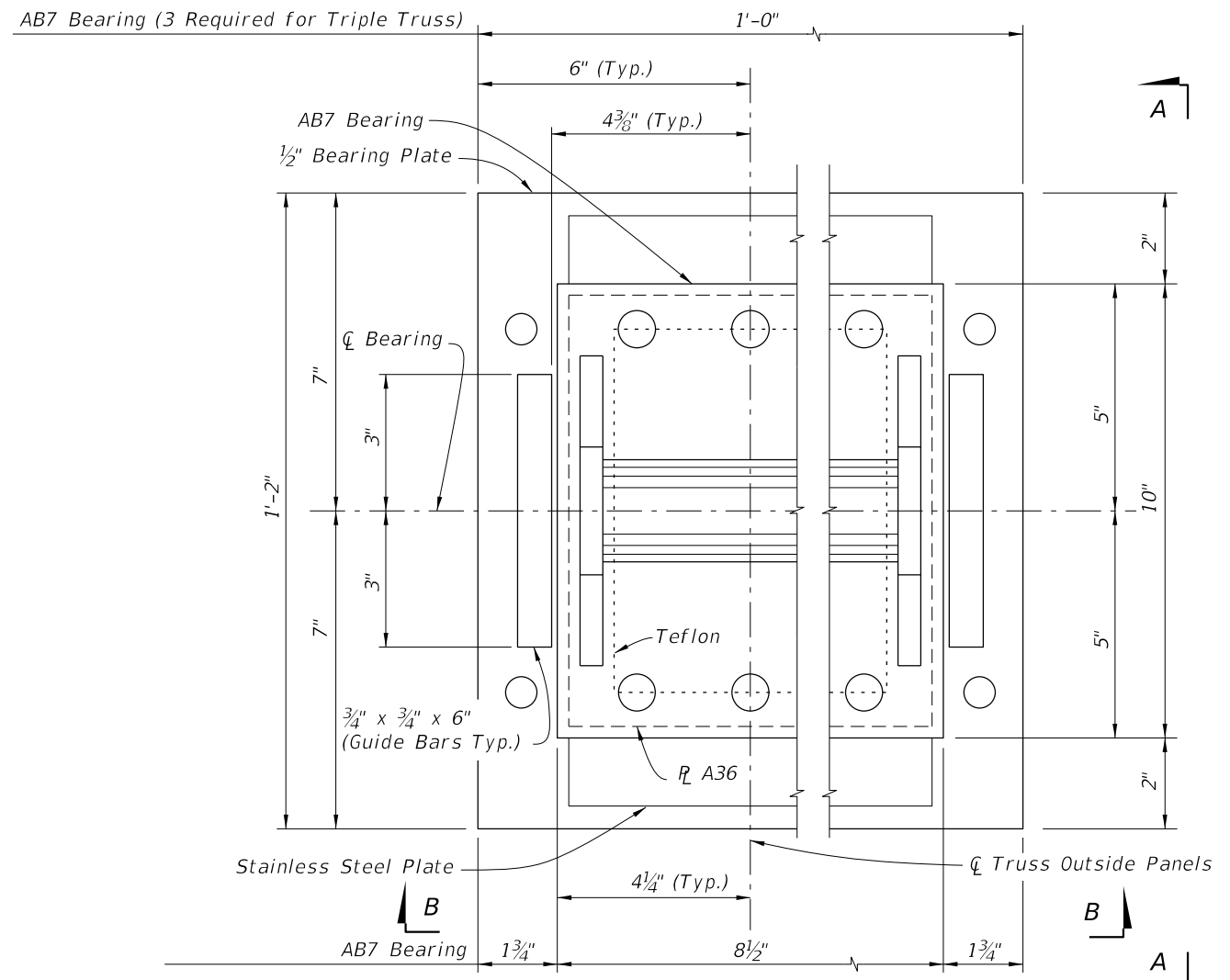


VIEW B-B

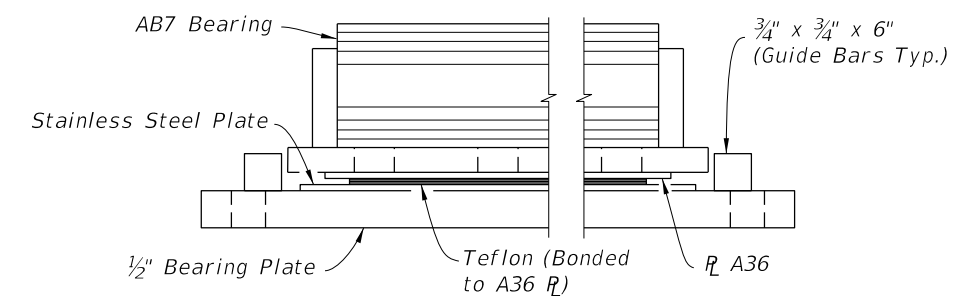


VIEW A-A

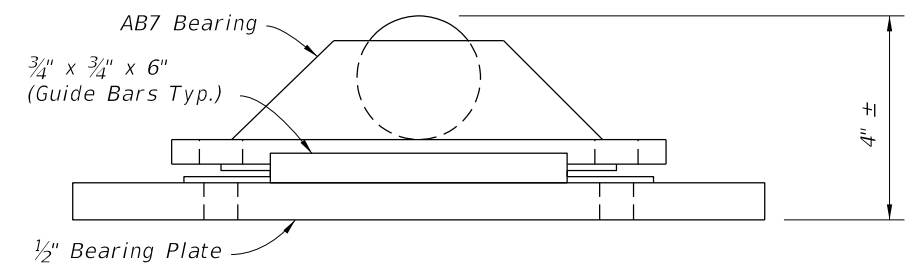
== DETAILS FOR FDOT SUPPLIED FIXED BEARINGS ==



PLAN VIEW



VIEW B-B



VIEW A-A

== DETAILS FOR FDOT SUPPLIED EXPANSION BEARINGS ==

10/21/2022 11:09:28 AM

LAST REVISION 11/01/22	DESCRIPTION:
---------------------------	--------------

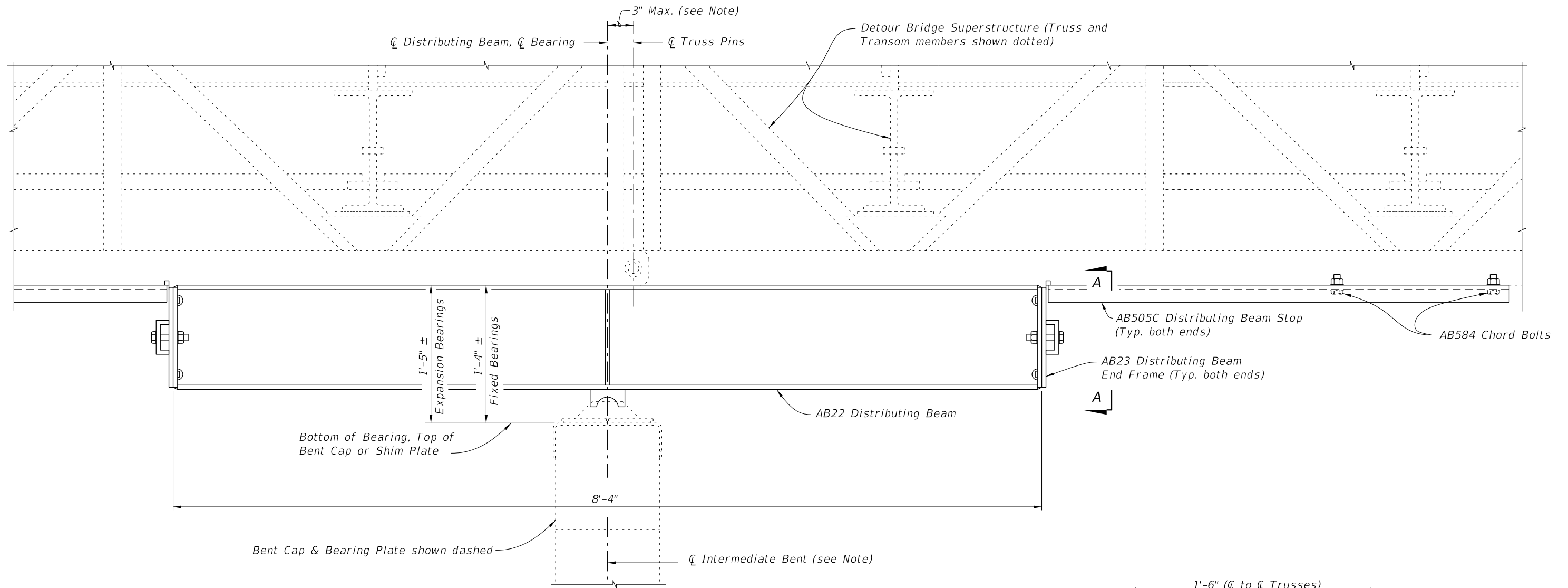


FY 2023-24
STANDARD PLANS

TEMPORARY ACROW 300 SERIES DETOUR BRIDGE
GENERAL NOTES AND DETAILS

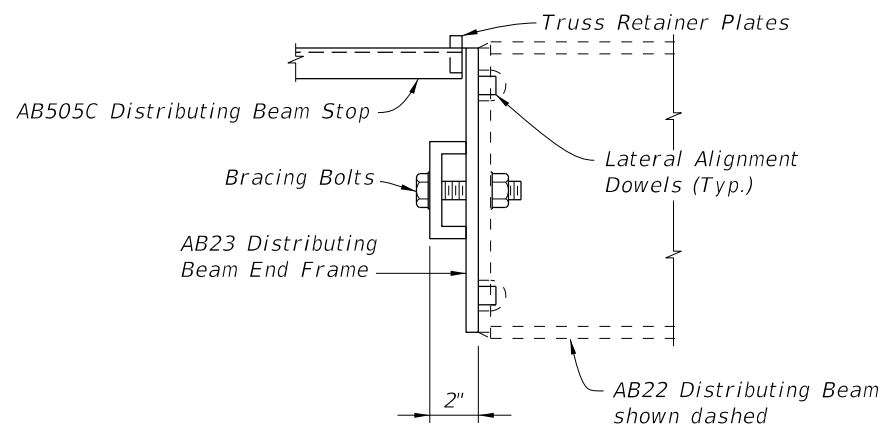
INDEX
102-200

SHEET
5 of 7

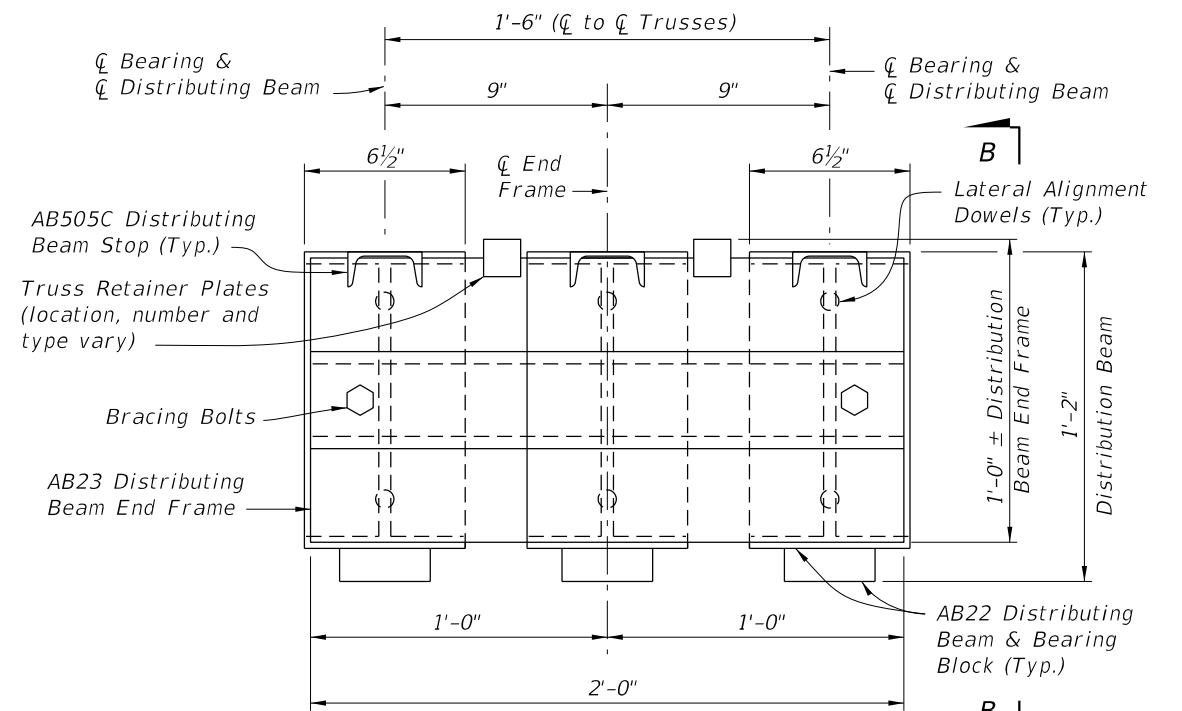


**ELEVATION VIEW OF DISTRIBUTING BEAM
(FIXED BEARING SHOWN, EXPANSION BEARING SIMILAR)
(Timber Intermediate Bent shown, Steel Intermediate Bents similar)**

Note:
 ☐ Bearing may be shifted from ☐ Truss Pins as shown, ☐ Intermediate Bent may be shifted from ☐ Bearing an additional 3" to allow for pile placement tolerances.




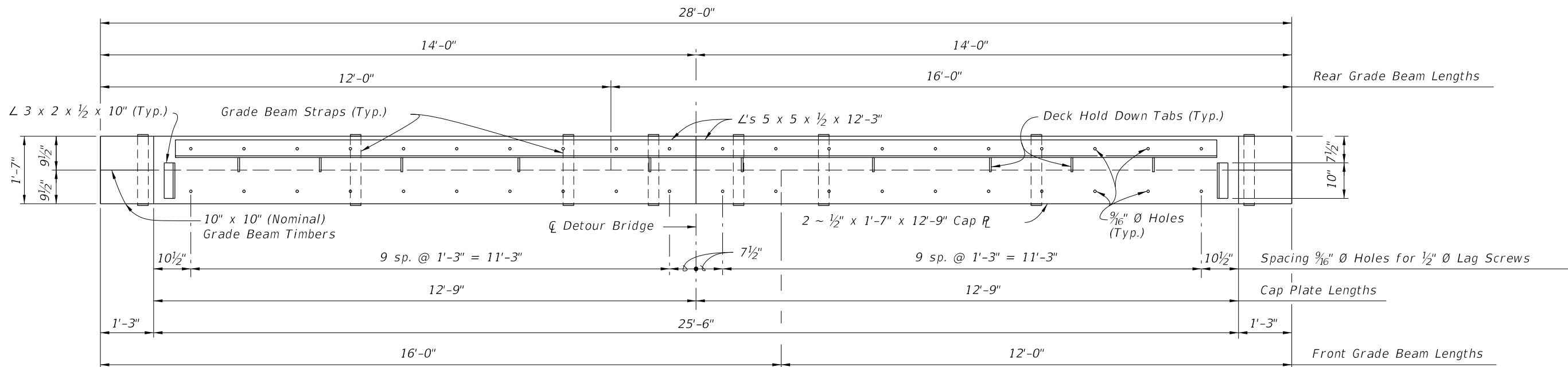
VIEW B-B



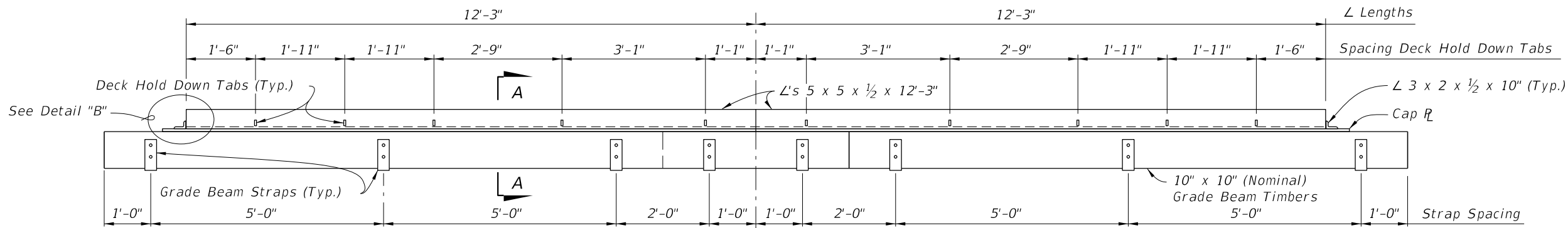
**END VIEW A-A
DISTRIBUTING BEAM END FRAME DETAIL**

10/21/2022 11:09:30 AM

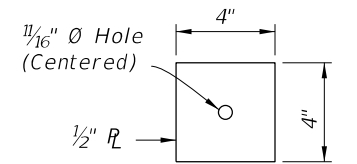
LAST REVISION 11/01/22	REVISION	DESCRIPTION:	 FY 2023-24 STANDARD PLANS	TEMPORARY ACROW 300 SERIES DETOUR BRIDGE GENERAL NOTES AND DETAILS	INDEX 102-200	SHEET 6 of 7
---------------------------	----------	--------------	---	---	------------------	-----------------



PLAN VIEW

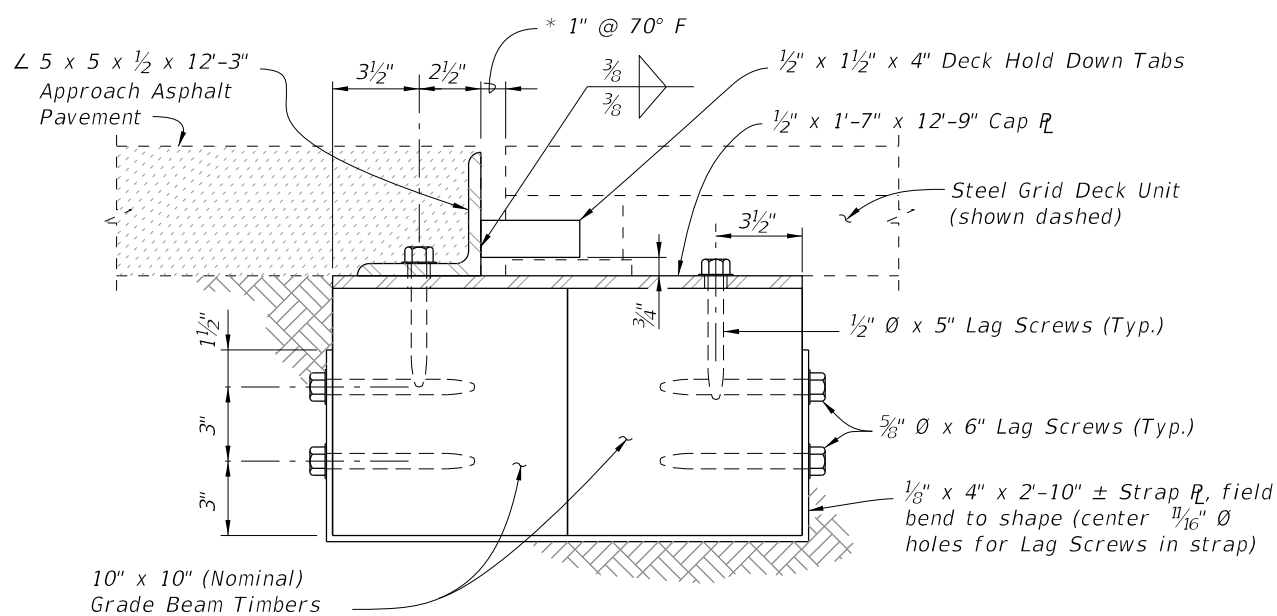


ELEVATION VIEW

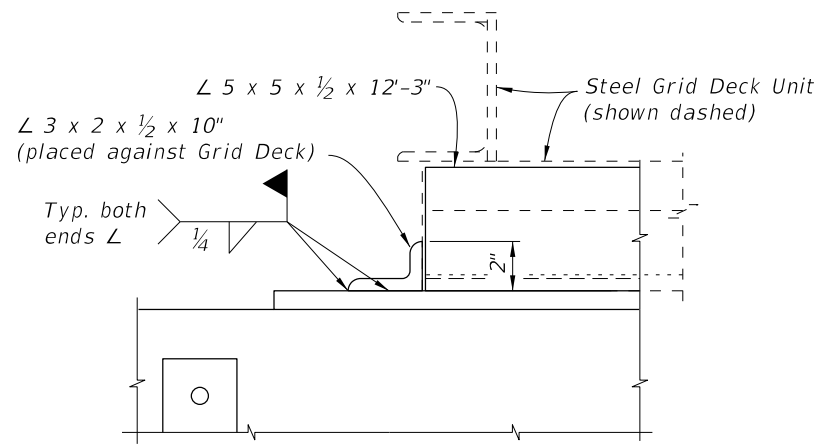


ANCHOR PLATE DETAIL

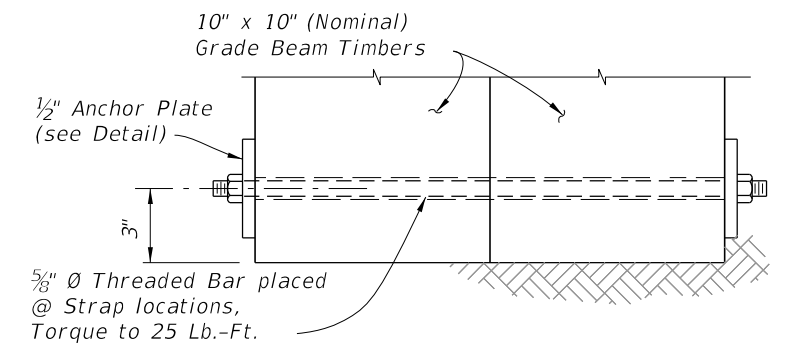
* See General Notes for setting widths other than 70° F.



SECTION A-A



DETAIL "B"



OPTIONAL THROUGH BOLT DETAIL (MAY BE USED IN LIEU OF STRAPS)

GRADE BEAM DETAILS

10/21/2022 11:09:32 AM

LAST REVISION 11/01/20	DESCRIPTION:		FY 2023-24 STANDARD PLANS	TEMPORARY ACROW 300 SERIES DETOUR BRIDGE GENERAL NOTES AND DETAILS	INDEX 102-200	SHEET 7 of 7
REVISION						

GENERAL NOTES:

This Index is only applicable to the current FDOT inventory of temporary bridge components which are manufactured in accordance with Acrow Series 700XS three Lane 24',36', and 42' widths. Asphalt Overlay is required on the Bridge deck, see Sheet 2 for details.

Work this Index with Index 102-210, 102-220 and 102-230.

STRUCTURAL STEEL:

Steel Plates shall be ASTM A709 Grade 36.

EXPANSION BEARINGS:

Inspect the PTFE (Teflon) layer and stainless steel plate prior to installation. Do not use bearings that have a severely damaged or unbonded PTFE layer. Clean PTFE of all grit and grime prior to installation. Clean Stainless steel plate of all grit and grime prior to installation and finish to a smooth buffed surface.

DISTRIBUTION BEAMS:

Distribution beam stops restraining the distribution beams may be lengthened or shortened to center the distributing beam bearing on the cap beam. The longitudinal stops are to bear on the distributing beam end frame.

EXPANSION JOINT SETTINGS:

Install the expansion joint considering the total continuous bridge length, location of fixed bearings and ambient temperature at the time of installation, assume a 2" expansion joint opening at 70 degrees F, (Expansion joint depends on span/bridge length and configuration).

STORAGE FACILITY:

Contact
 FDOT Statewide Aluminum Shop
 2590 Camp Rd.
 Oviedo, Fl.
 407-278-2727
 For shipping weights and dimensions of Temporary Bridge elements. Contractor to coordinate with Storage Facility and Acrow to obtain required parts list. Shipping weights and dimensions of other bridge components can be referenced in "Acrow Panel Bridging, Series 700XS, Technical Handbook".

APPROACH TRAFFIC RAILING NOTES:

See Index 536-001 for component details, geometric layouts and associated notes not fully detailed herein.

CONCRETE: Concrete for Transition Blocks shall be Class II (Bridge Deck).

THRIE-BEAM PANEL: Steel Thrie-Beam Elements shall meet the requirements of AASHTO M180, Type II (Zinc coated).

BOLTS, NUTS AND WASHERS:

Bolts, nuts and round washers shall be in accordance with AASHTO M180. Plate Washers shall be in accordance with ASTM A36 or ASTM A709 Grade 36. Do not drill Temporary Bridge components to attach Guardrail. Guardrail Bolts shall be placed between Truss members as shown in Index 102-240.

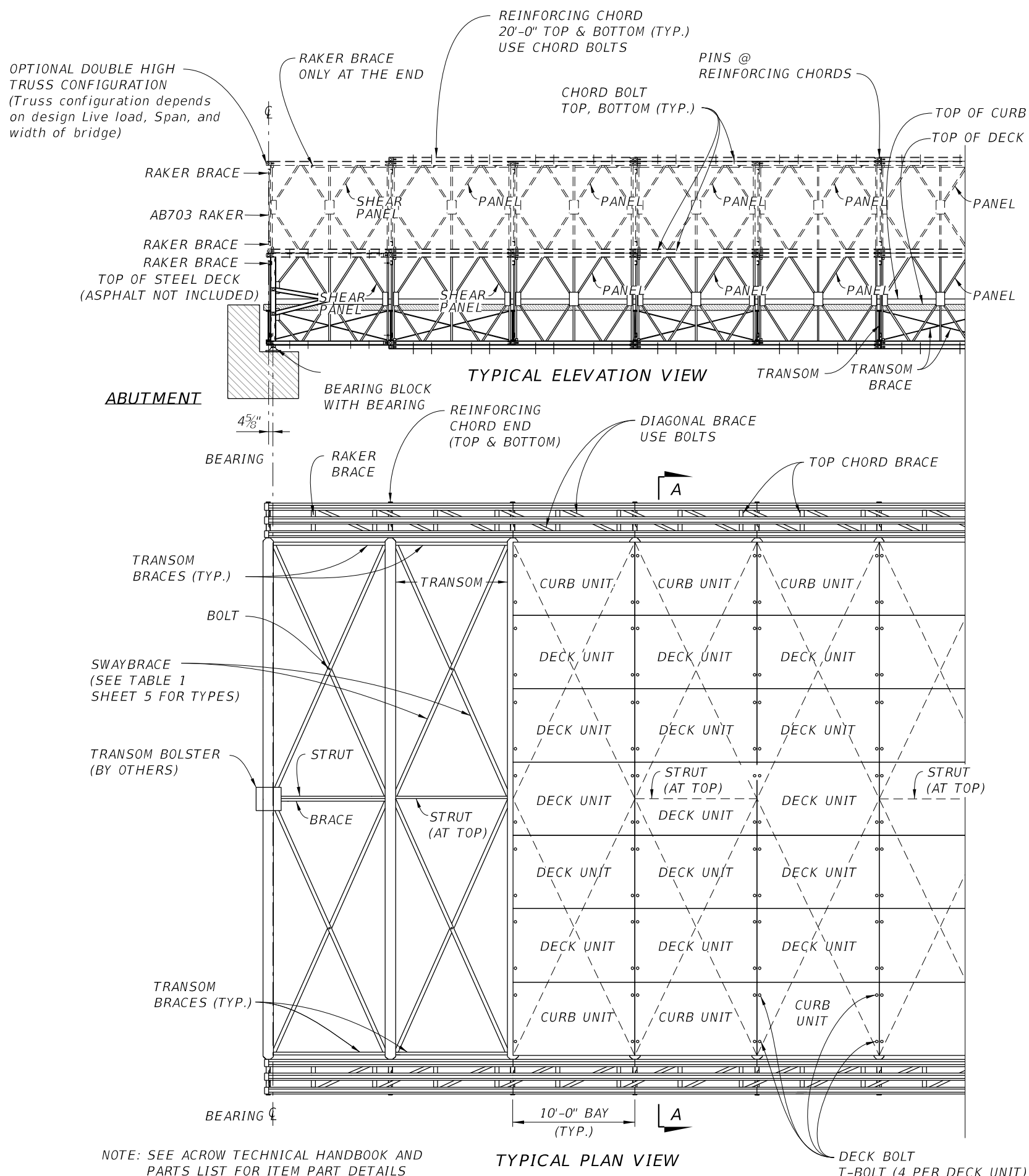
COATINGS: All Nuts, Bolts, Anchors, Washers and Backer Plates shall be hot-dip galvanized in accordance with the Specifications.

WOOD BLOCKS: All wood blocks, including required wedge shaped blocks shall be Pressure Treated Lumber in accordance with Specifications Section 955. Bolt holes in blocks to be centered ($\pm 1/4"$).

PAYMENT:

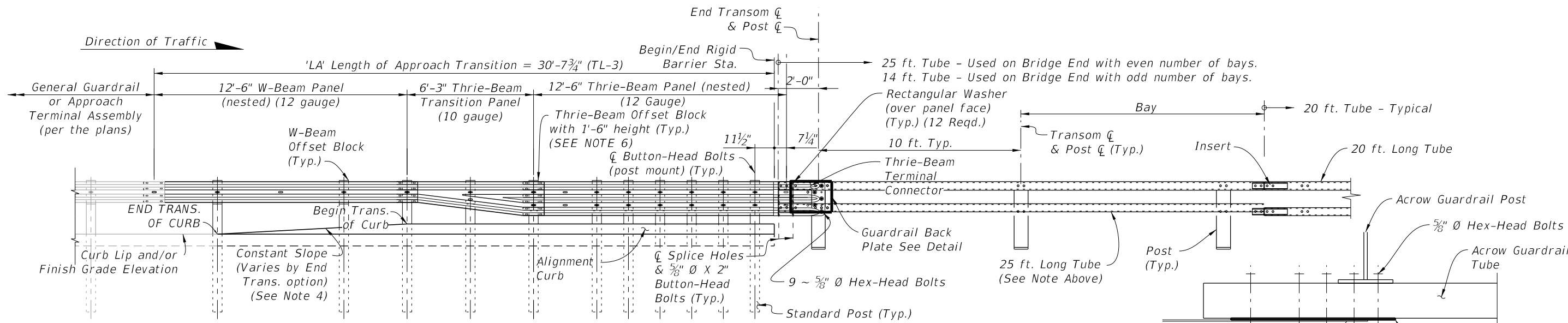
Temporary Detour Bridge is to be paid for under Contract Unit Price for Special Detour. If a temporary bridge system other than that shown herein is used, the Contractor is responsible for renting or purchasing their own system. Payment for Temporary Guardrail work and Transition Block will be made under Pay Item Temporary Guardrail, LF.

Furnish and install Bridge Thrie-Beam Panels and all associated hardware as shown. Payment will be made with the Temporary Detour Bridge under the Pay Item Special Detour, LS. Turn over Bridge Thrie-Beam Panels and all associated hardware to the Department with the Detour Bridge components per Specifications Section 102-6.

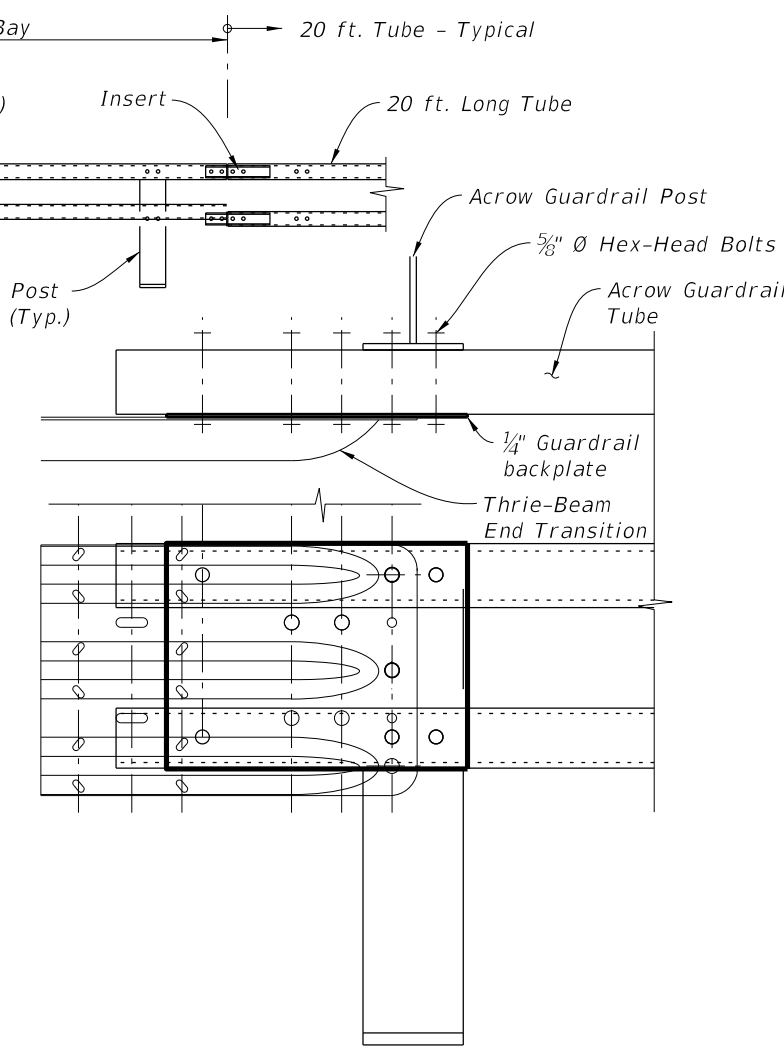


10/21/2022 11:09:34 AM

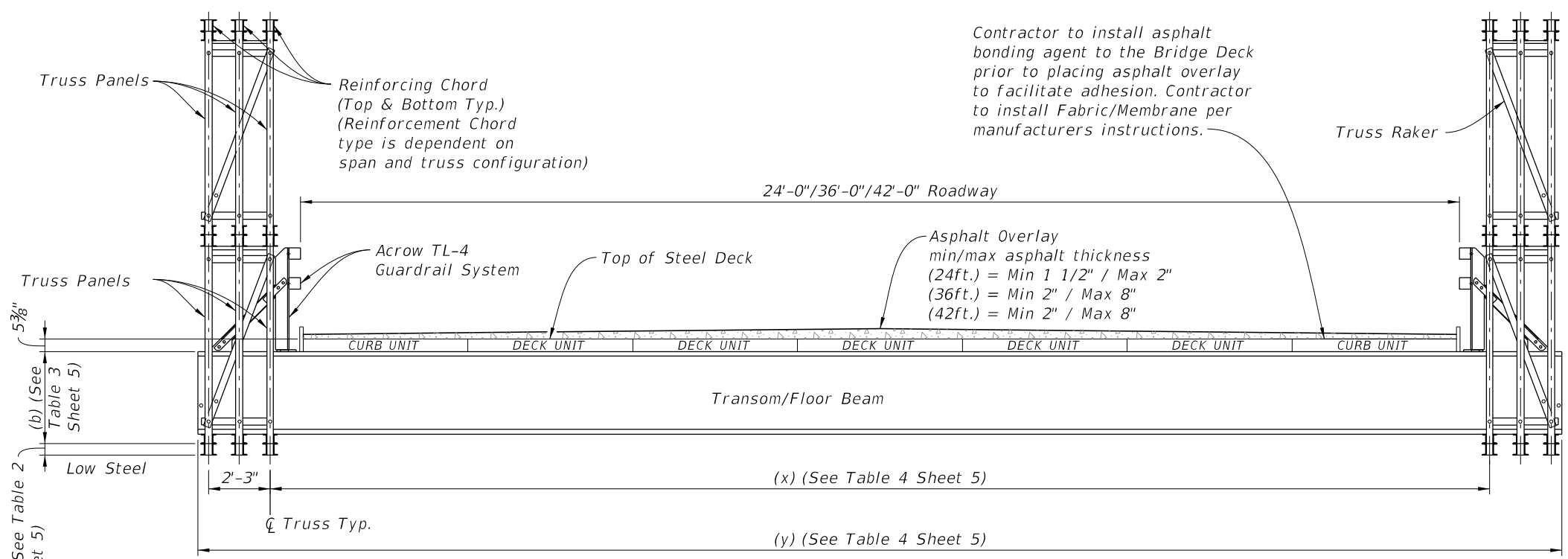
LAST REVISION 11/01/20	REVISION	DESCRIPTION:		FY 2023-24 STANDARD PLANS	TEMPORARY ACROW 700XS SERIES DETOUR BRIDGE GENERAL NOTES AND DETAILS	INDEX 102-201	SHEET 1 of 5
---------------------------	----------	--------------	--	------------------------------	---	------------------	-----------------



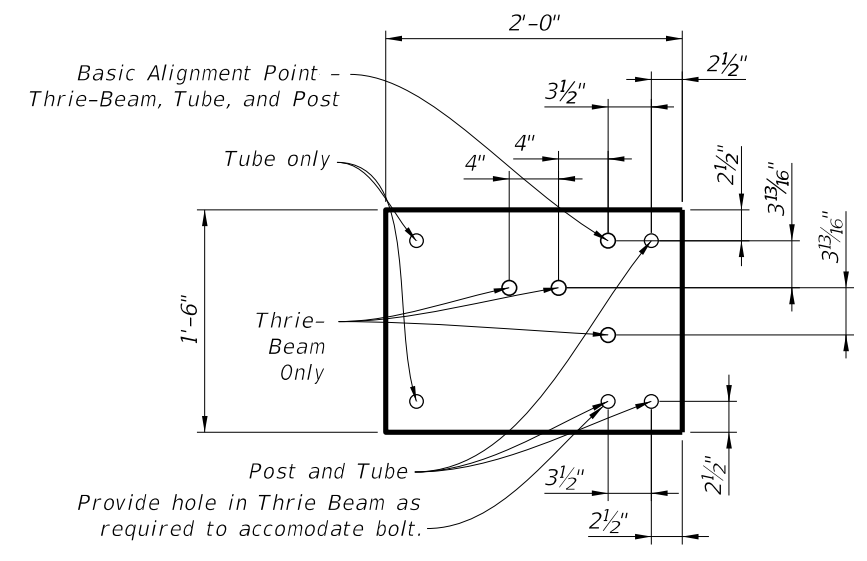
THRIE BEAM TO BRIDGE GUARDRAIL TRANSITION



GUARDRAIL END TRANSITION DETAIL




SECTION A-A (Double High Truss shown, Single High Truss Similar)



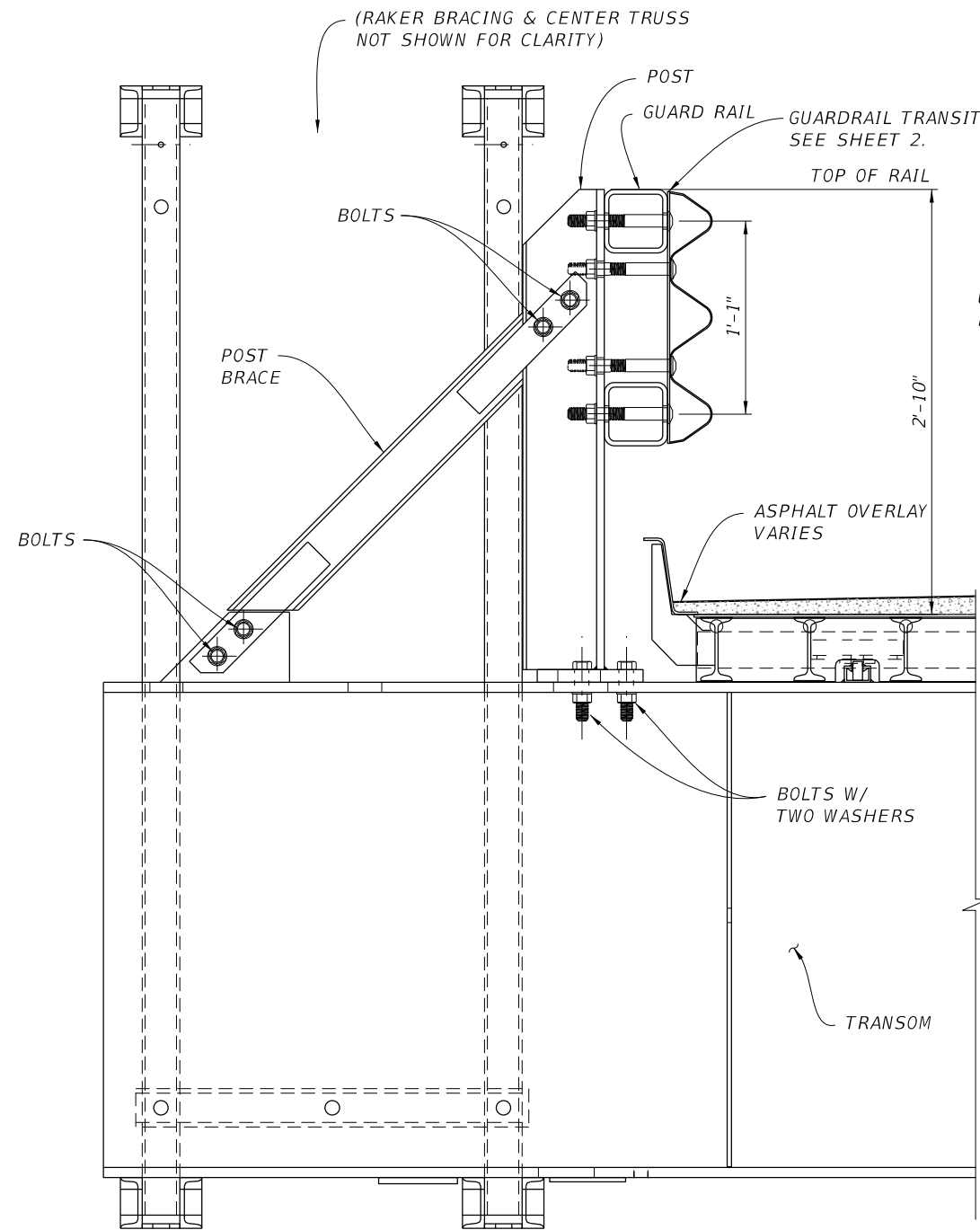
1/4" GUARDRAIL BACK PLATE DETAIL

NOTE: See Acrow Technical Handbook and parts list for item number details.

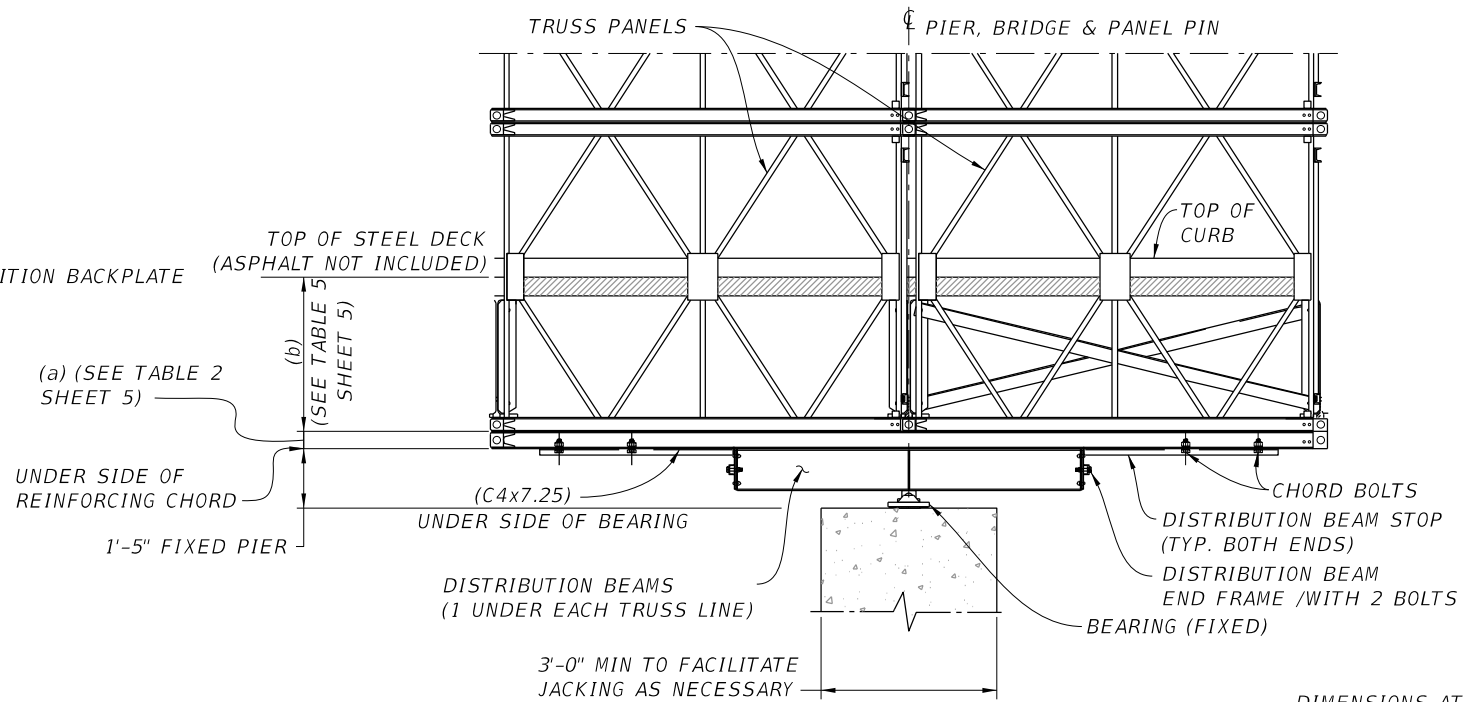
10/21/2022 11:09:37 AM

LAST REVISION 01/01/22	REVISION	DESCRIPTION:		FY 2023-24 STANDARD PLANS	TEMPORARY ACROW 700XS SERIES DETOUR BRIDGE GENERAL NOTES AND DETAILS	INDEX 102-201	SHEET 2 of 5
---------------------------	----------	--------------	--	------------------------------	---	------------------	-----------------

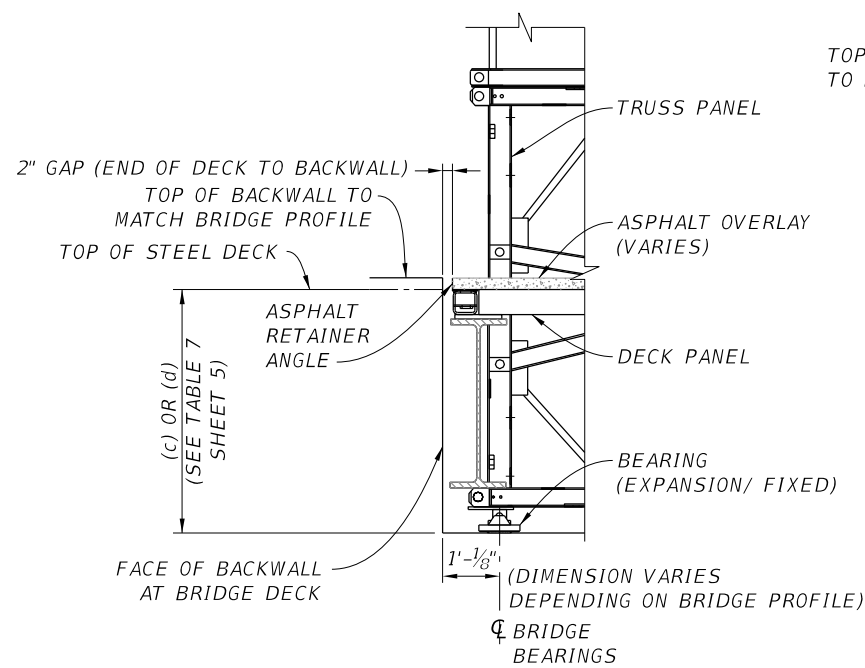
10/21/2022 11:09:39 AM



TYPICAL RAILING POST CONNECTION DETAIL

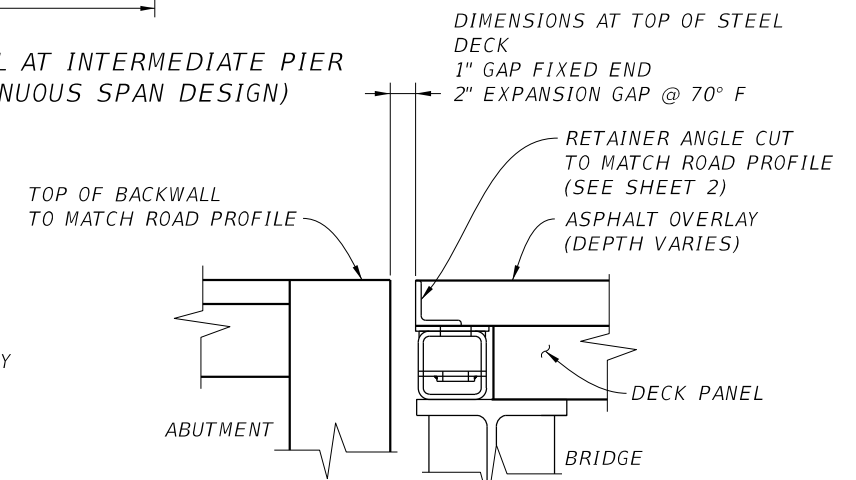


TYPICAL DETAIL AT INTERMEDIATE PIER (FOR CONTINUOUS SPAN DESIGN)

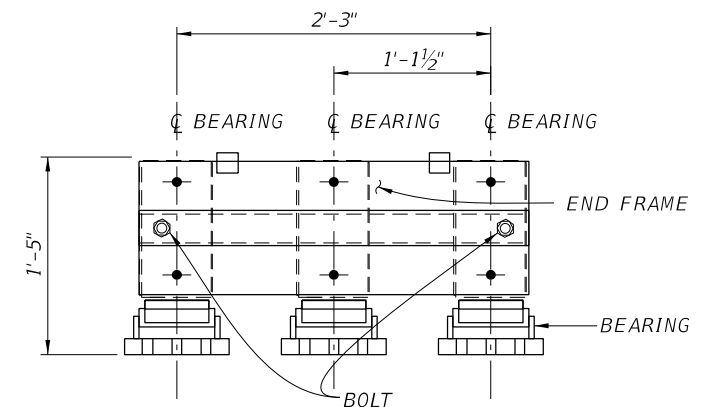


TYPICAL DETAIL AT ABUTMENTS (Note: Expansion joint depends on span/bridge length and configuration)

NOTE: SEE ACROW TECHNICAL HANDBOOK AND PARTS LIST FOR ITEM NUMBER DETAILS.



EOB AT DECK DETAIL (Note: Expansion joint depends on span/bridge length and configuration)



DISTRIBUTION BEAM DETAIL - END VIEW (Triple Truss Shown)

LAST REVISION 11/01/20

REVISION

DESCRIPTION:

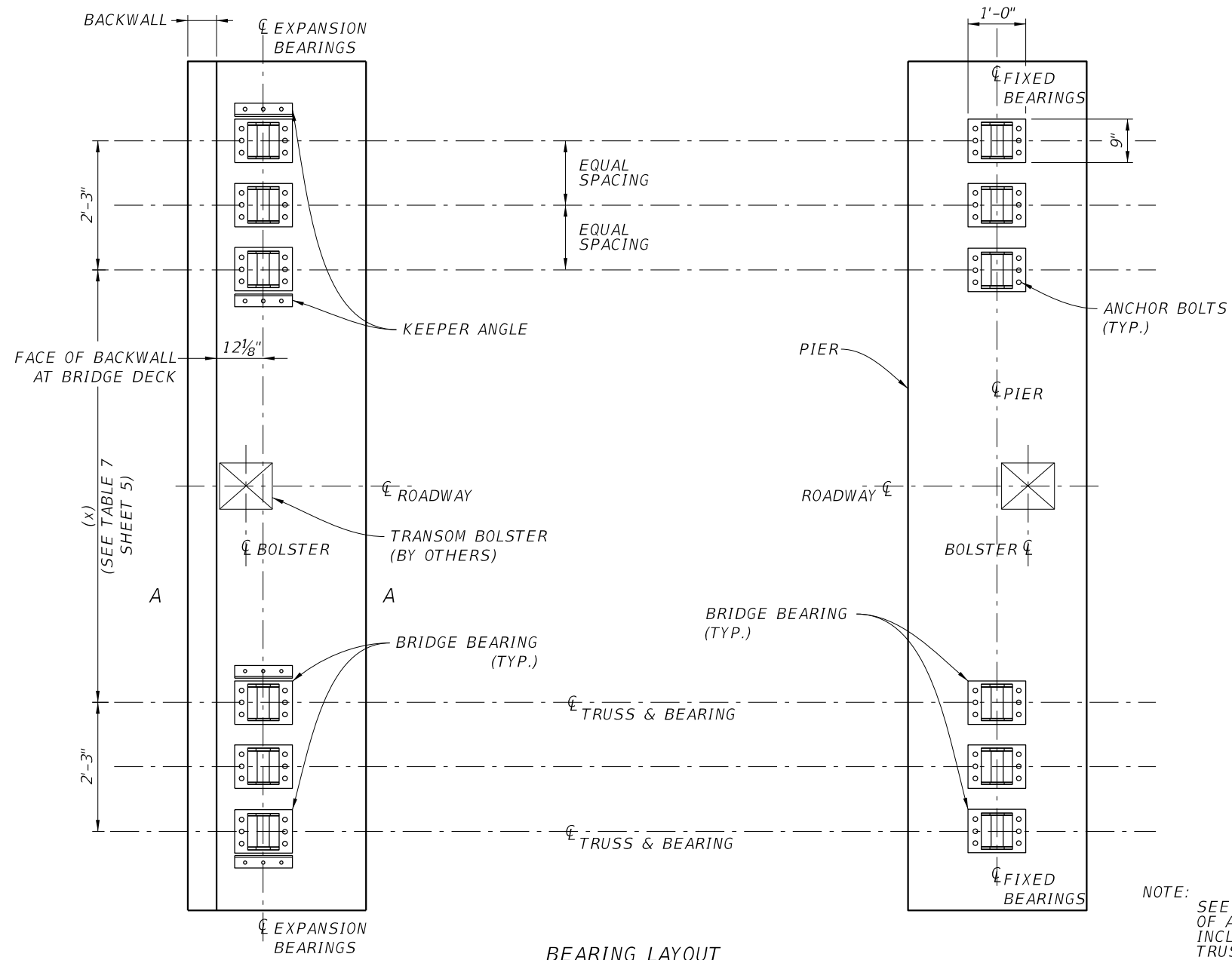


FY 2023-24
STANDARD PLANS

TEMPORARY ACROW 700XS SERIES DETOUR BRIDGE
GENERAL NOTES AND DETAILS

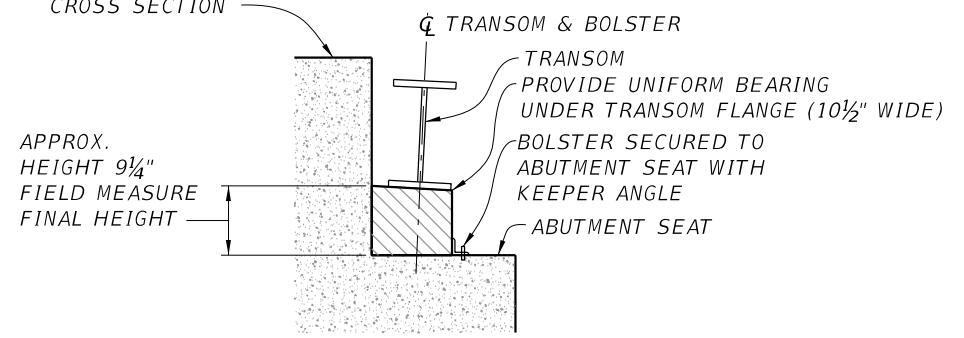
INDEX
102-201

SHEET
3 of 5



BEARING LAYOUT

NOTE: BACKWALL TO MATCH ROADWAY PROFILE & CROSS SECTION

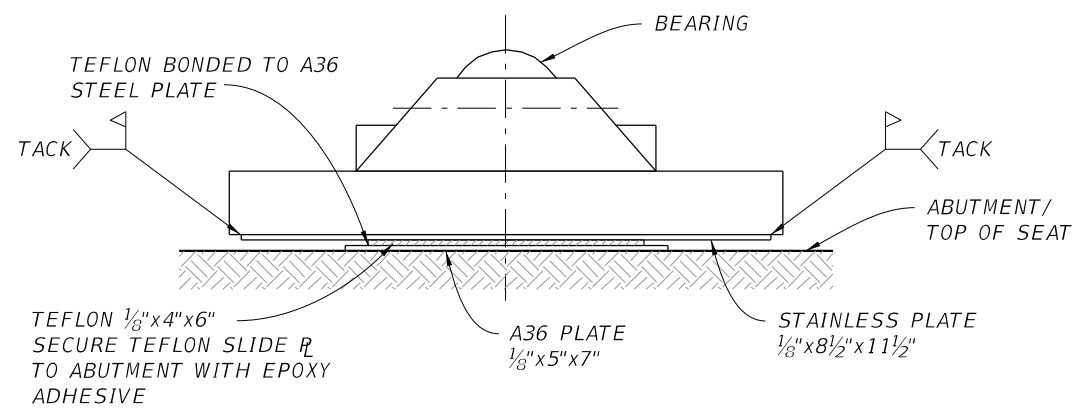


BOLSTER DETAIL SECTION A-A

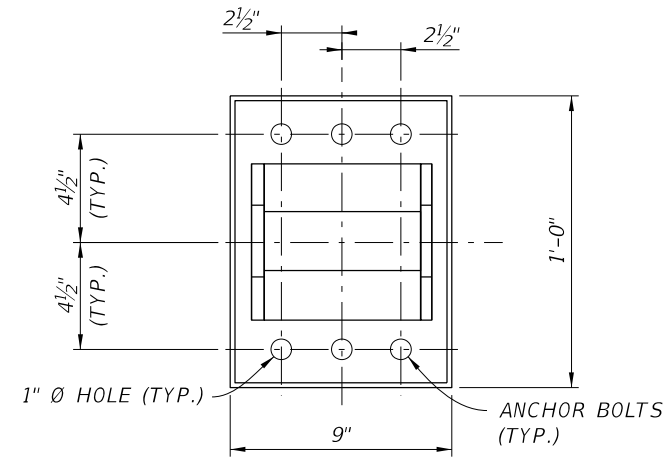
NOTE:

- HARDWOOD BLOCKING IS RECOMMENDED; SEE PLAN FOR FINAL BOLSTER DESIGN.
- INSTALL BOLSTER TO A TIGHT FIT AFTER BRIDGE & DECK ARE IN PLACE.
- BOLSTER HEIGHT WILL VARY BASED ON TRANSOM TYPE/ DEAD LOADS.
- BOLSTER TO BE SECURED FROM MOVEMENT AFTER INSTALLATION.
- BOLSTER TO MATCH SLOPE OR TRANSOM FLANGE.

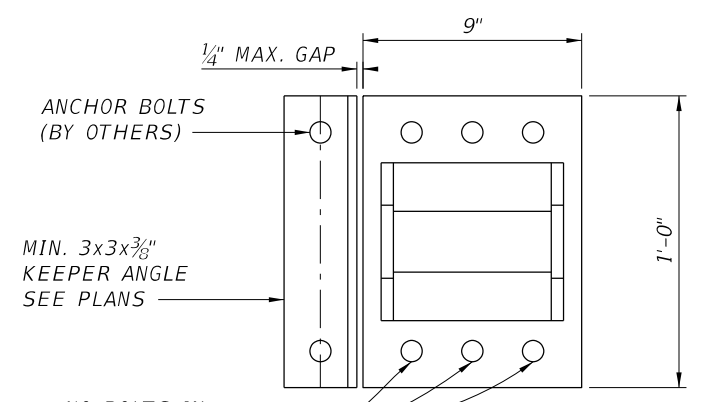
NOTE: SEE PLANS FOR SIZE, GRADE AND QUANTITY OF ANCHOR BOLTS AND KEEPER ANGLES NOT INCLUDED WITH BRIDGE PARTS. TRIPLE TRUSS SHOWN. DOUBLE TRUSS WOULD NOT INCLUDE CENTER BEARING.



EXPANSION BEARING ELEVATION VIEW A-A (ANGLE & BACKWALL NOT SHOWN FOR CLARITY)



FIXED END - BEARING DETAIL



EXPANSION END - BEARING DETAIL

10/21/2022 11:09:41 AM

LAST REVISION 11/01/20	REVISION	DESCRIPTION:		FY 2023-24 STANDARD PLANS	TEMPORARY ACROW 700XS SERIES DETOUR BRIDGE GENERAL NOTES AND DETAILS	INDEX 102-201	SHEET 4 of 5
---------------------------	----------	--------------	--	------------------------------	---	------------------	-----------------

10/21/2022 11:09:43 AM

TABLE 1				
Swaybrace / Transom Brace				
Bridge Roadway width (ft)	Transom	Swaybrace Part # (Single)	Swaybrace Part # (Double)	Transom Brace Part #
24	SC0017	AB590	AB515	AB519
36	AB957	AB891	AB891	AB519
42	AB978	AB979	AB979	AB519

TABLE 2		
(a) Reinforcing Chord Thickness		
Regular Reinforcing Chord Thickness	Heavy Reinforcing Chord Thickness	SuperHeavy Reinforcing Chord Thickness
4"	5"	6"

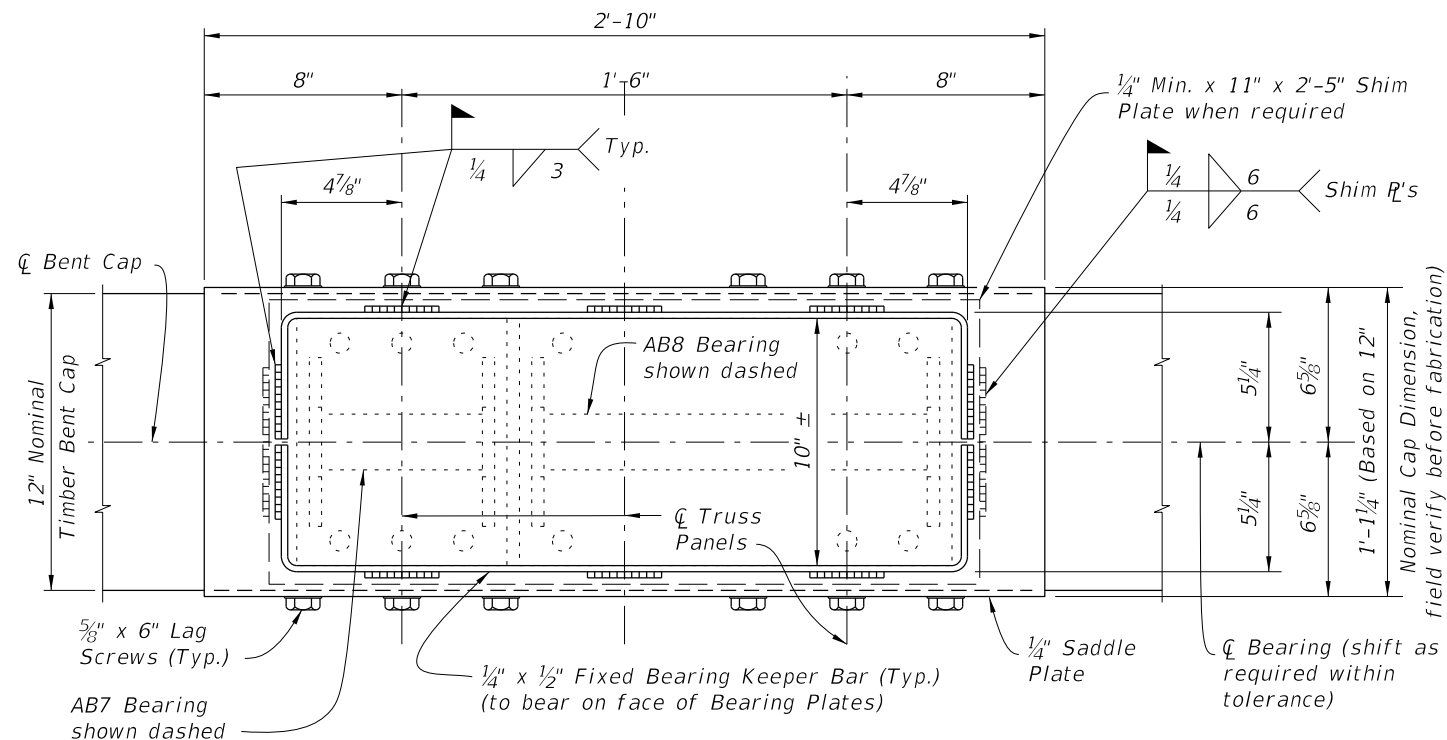
TABLE 3		
Bridge Roadway width (ft)	Transom Part #	(b) Height Bottom of Truss Chord to top of Transom
24	SC0017	28 ⁵ / ₁₆ "
36	AB957	40 ³ / ₁₆ "
42	AB978	43"

TABLE 4			
Bridge Roadway width (ft)	Transom Part #	(x) \bar{C} to inner truss to \bar{C} inner truss	(y) Transom Beam Length
24	SC0017	26'-1"	31'-4"
36	AB957	38'-4 ¹³ / ₁₆ "	43'-7 ¹³ / ₁₆ "
42	AB978	44'-4 ³ / ₈ "	49'-7 ³ / ₈ "

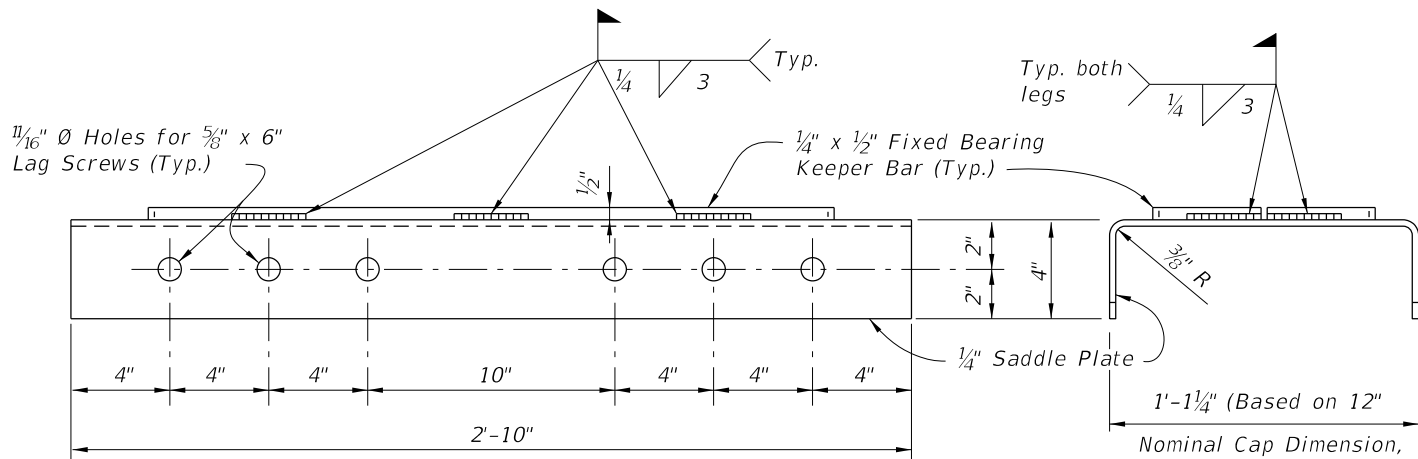
TABLE 5		
Bridge Roadway width (ft)	Transom Part #	(b) Height Bottom of Truss Chord to top of Deck
24	SC0017	33 ¹¹ / ₁₆ "
36	AB957	45 ⁹ / ₁₆ "
42	AB978	48 ³ / ₈ "

TABLE 6			
Bridge Roadway width (ft)	Transom Part #	(c) Height Bottom of fixed bearing to top of Deck	(d) Height Bottom of expansion bearing to top of Deck
24	SC0017	39 ¹ / ₁₆ "	39 ⁷ / ₁₆ "
36	AB957	50 ¹⁵ / ₁₆ "	51 ⁵ / ₁₆ "
42	AB978	53 ³ / ₄ "	54 ¹ / ₈ "

TABLE 7		
Bridge Roadway width (ft)	Transom Part #	(x) \bar{C} to inner truss to \bar{C} inner truss
24	SC0017	26'-1"
36	AB957	38'-4 ¹³ / ₁₆ "
42	AB978	44'-4 ³ / ₈ "

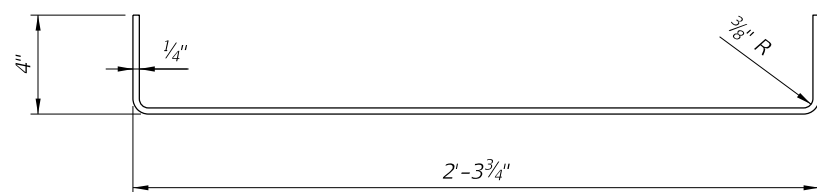


PLAN VIEW



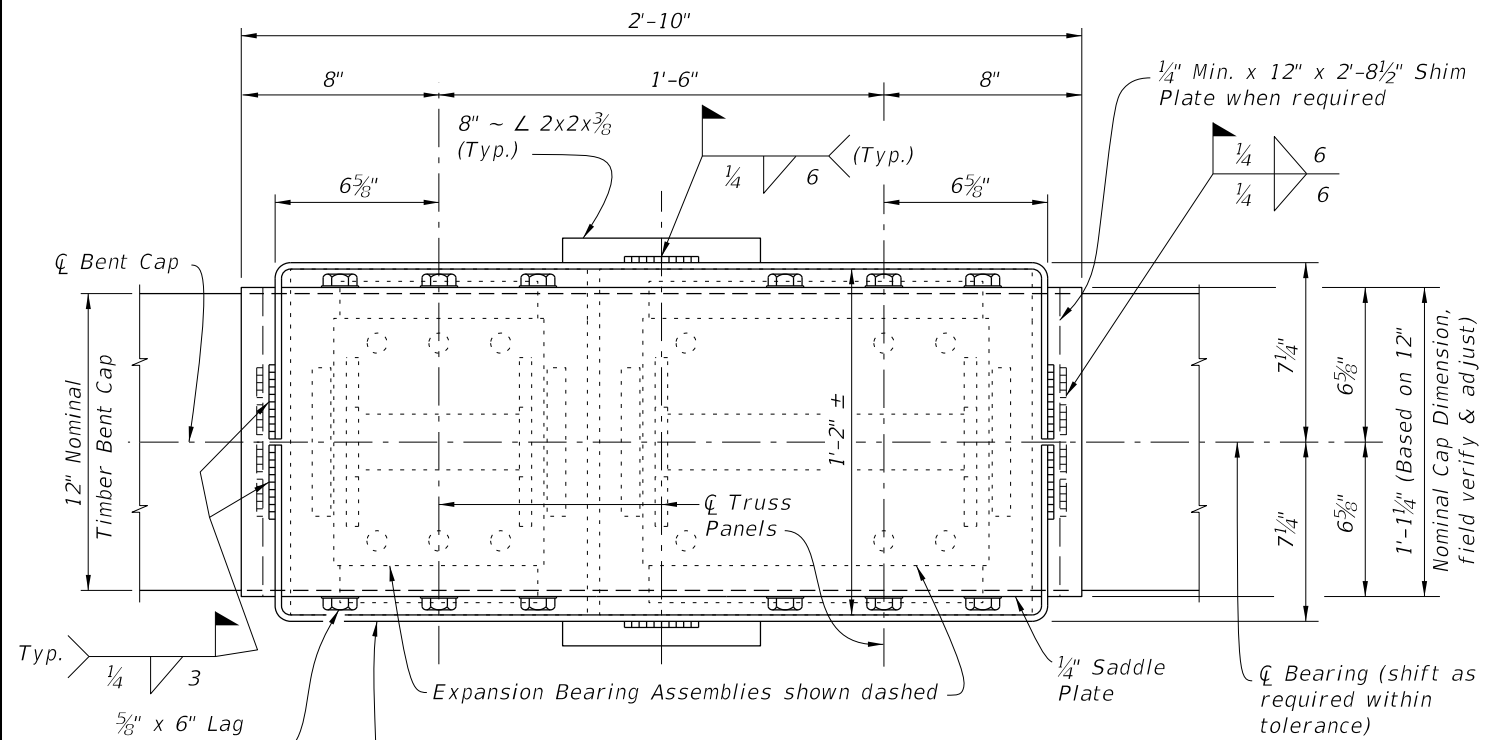
ELEVATION VIEW OF SADDLE PLATE

END VIEW

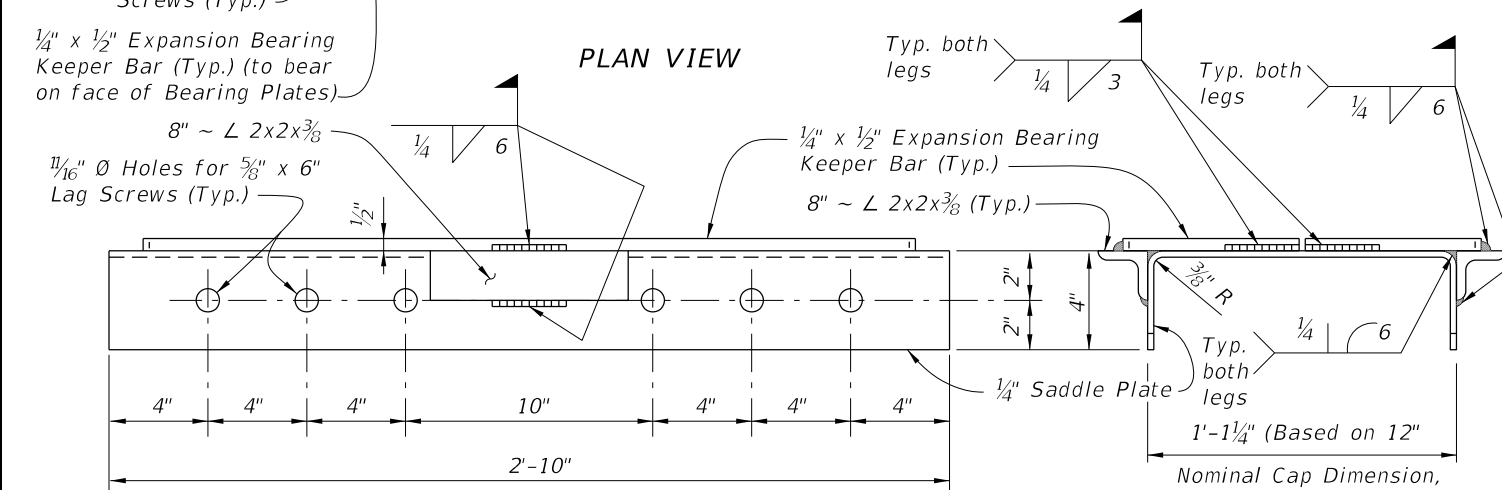


FIXED BEARING KEEPER BAR DETAIL

FIXED BEARING DETAILS

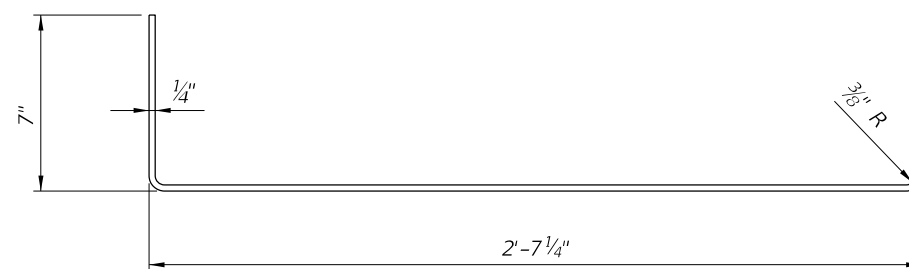


PLAN VIEW



ELEVATION VIEW OF SADDLE PLATE

END VIEW



EXPANSION BEARING KEEPER BAR DETAIL

EXPANSION BEARING DETAILS

10/21/2022 11:09:45 AM

LAST REVISION 01/01/16	DESCRIPTION:
---------------------------	--------------

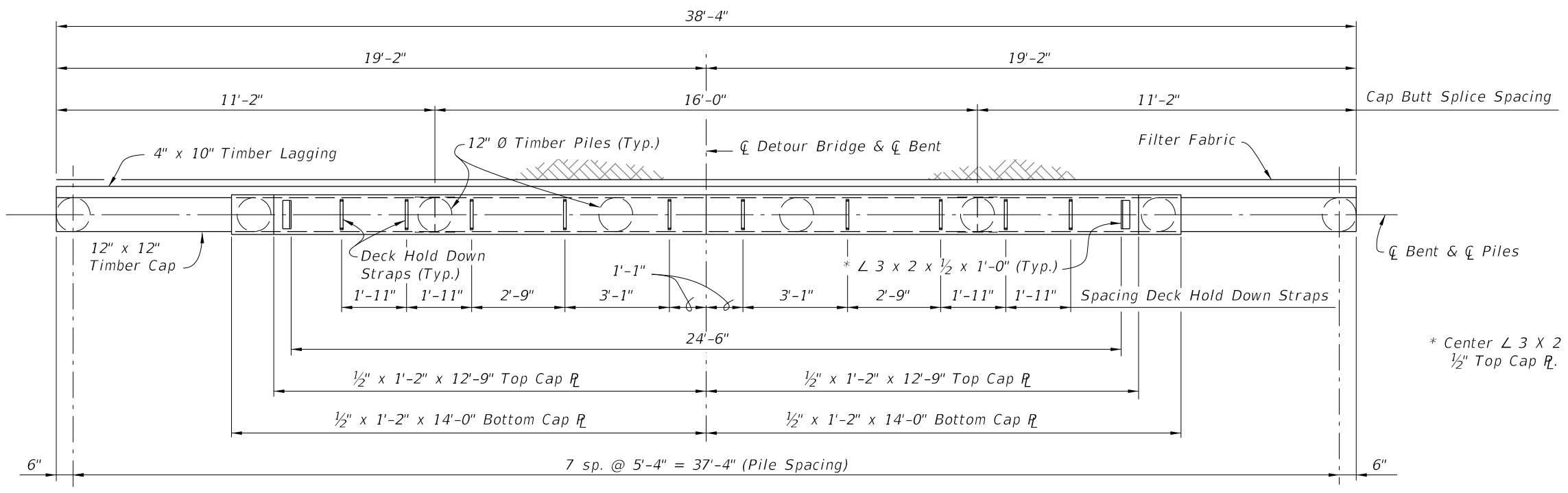


FY 2023-24
STANDARD PLANS

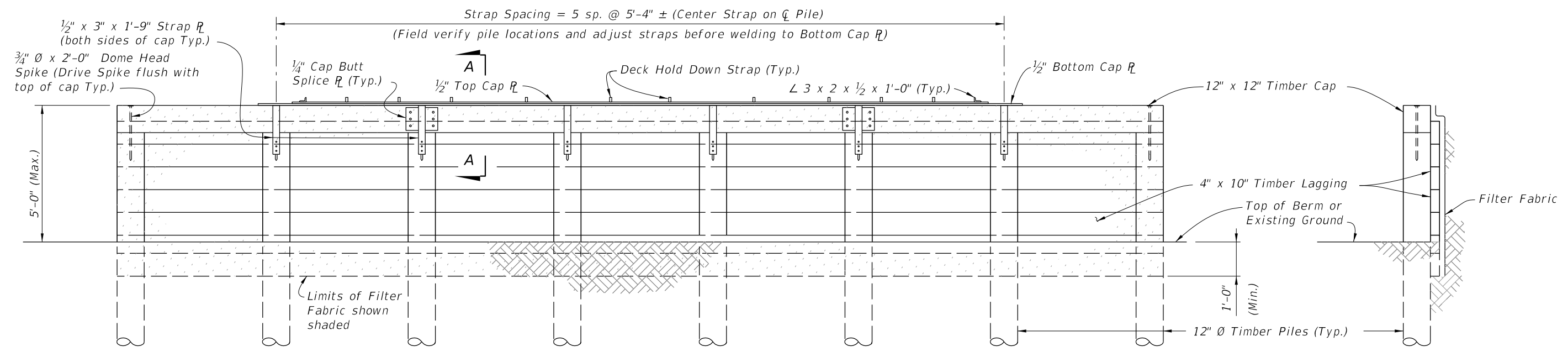
TEMPORARY DETOUR BRIDGE
TIMBER PILE FOUNDATIONS

INDEX
102-210

SHEET
1 of 3



PLAN VIEW




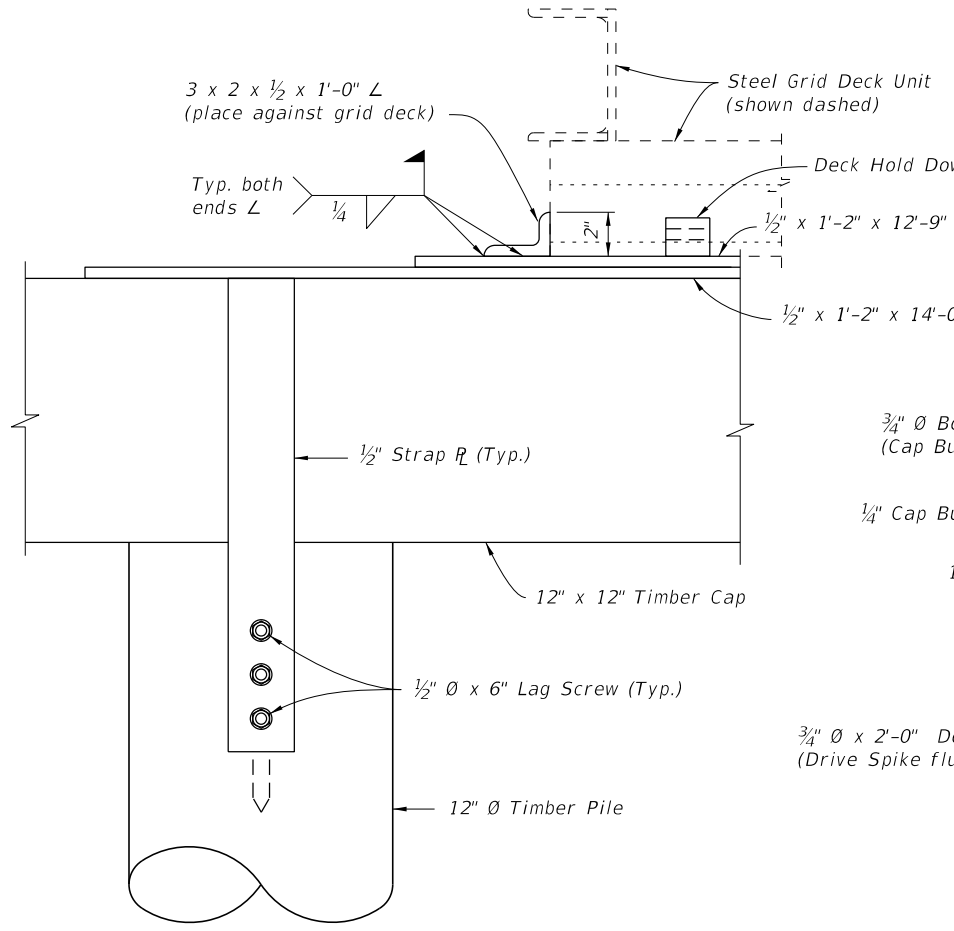
ELEVATION VIEW

END VIEW

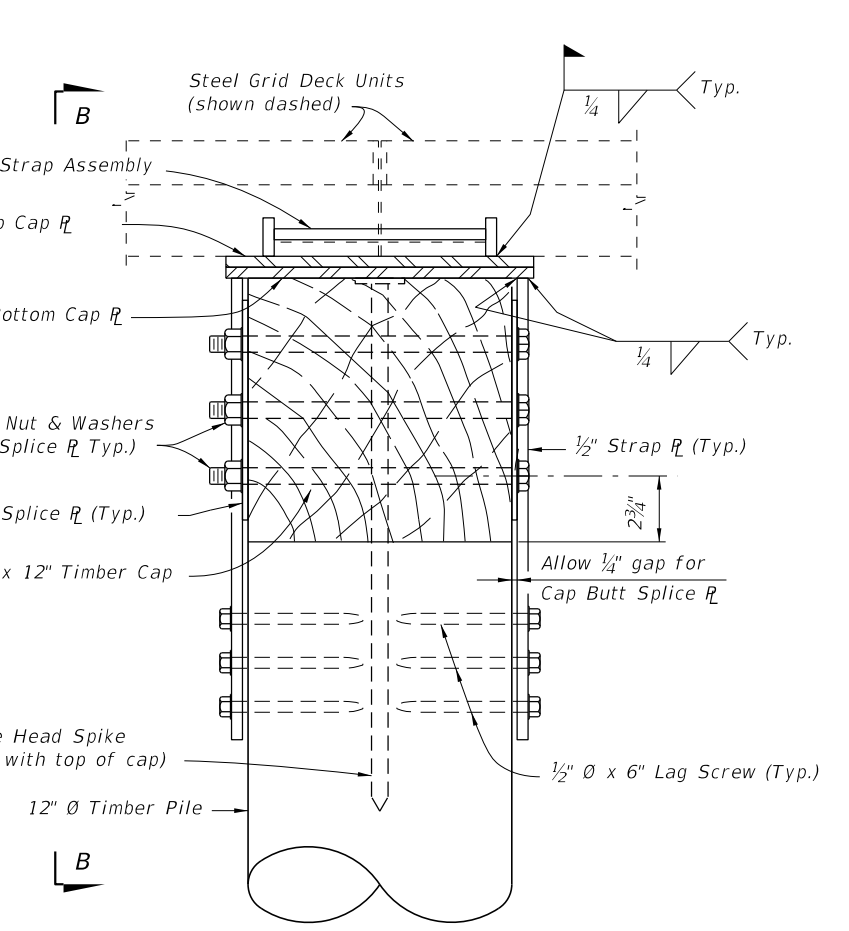
BACKWALL BENT DETAILS

10/21/2022 11:09:47 AM

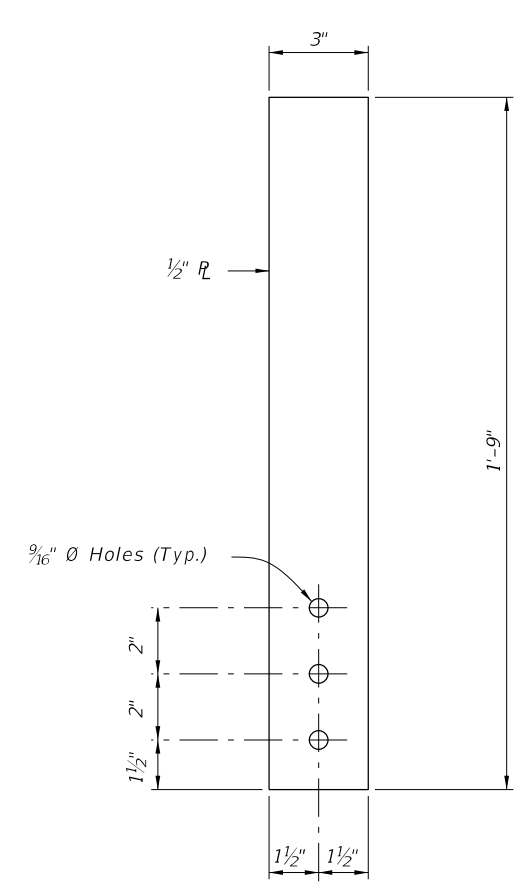
LAST REVISION 07/01/06	REVISION	DESCRIPTION:	 FY 2023-24 STANDARD PLANS	TEMPORARY DETOUR BRIDGE TIMBER PILE FOUNDATIONS	INDEX 102-210	SHEET 2 of 3
---------------------------	----------	--------------	--	--	------------------	-----------------



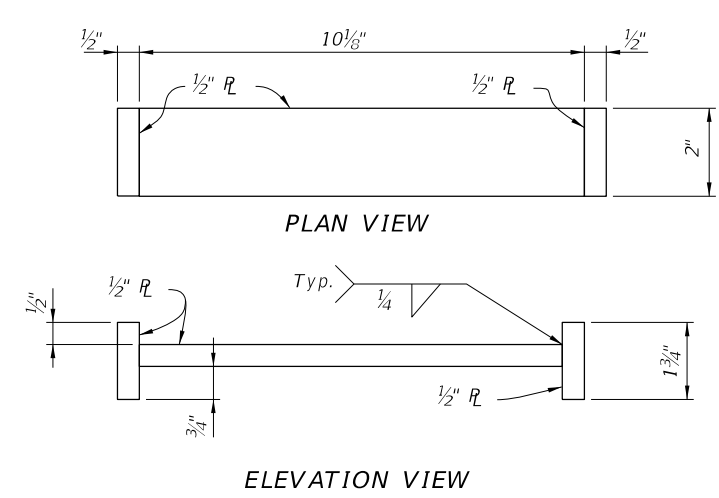
VIEW B-B
 (SHOWING END OF CAP PLATES)



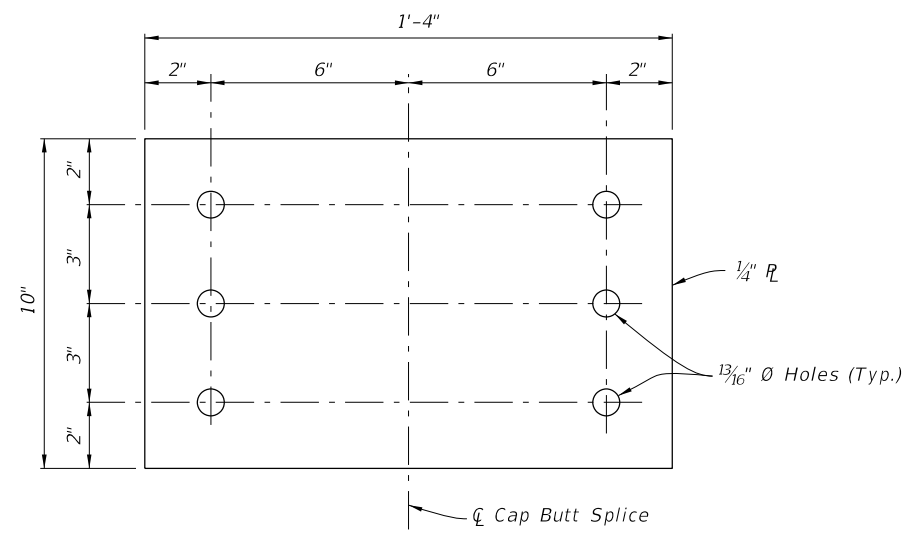
SECTION A-A



STRAP PLATE DETAIL



HOLD DOWN STRAP ASSEMBLY DETAIL

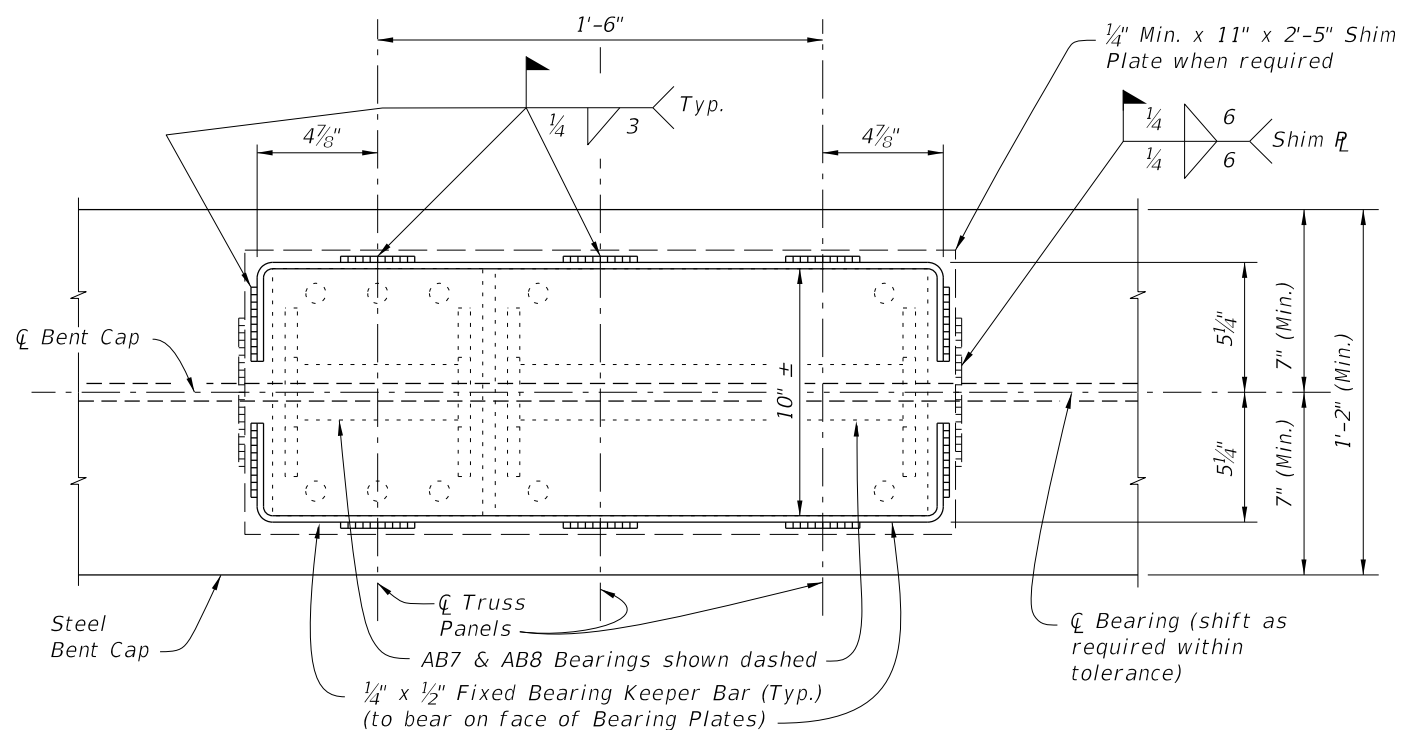


CAP BUTT SPLICE PLATE DETAIL

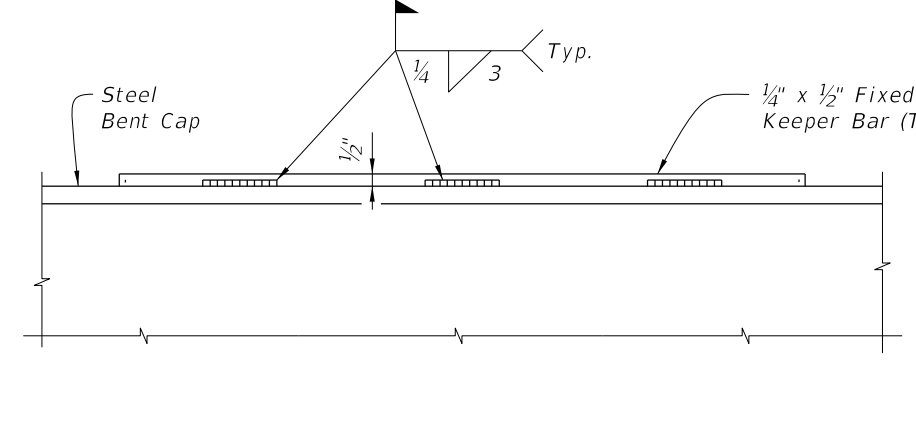
BACKWALL BENT DETAILS

10/21/2022 11:09:49 AM

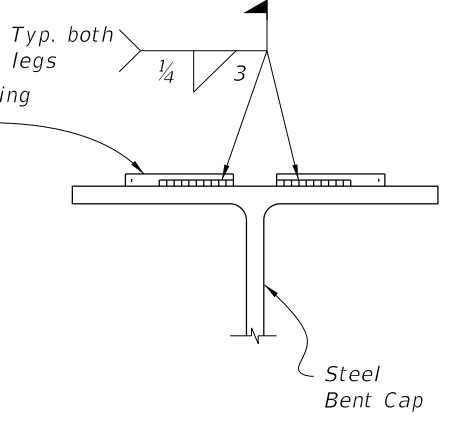
LAST REVISION 07/01/06	REVISION	DESCRIPTION:		FY 2023-24 STANDARD PLANS	TEMPORARY DETOUR BRIDGE TIMBER PILE FOUNDATIONS	INDEX 102-210	SHEET 3 of 3
---------------------------	----------	--------------	--	------------------------------	--	------------------	-----------------



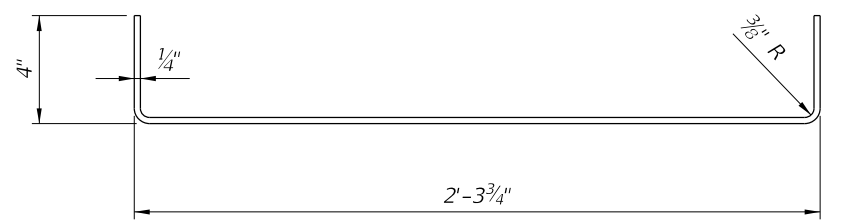
PARTIAL PLAN VIEW



PARTIAL ELEVATION VIEW

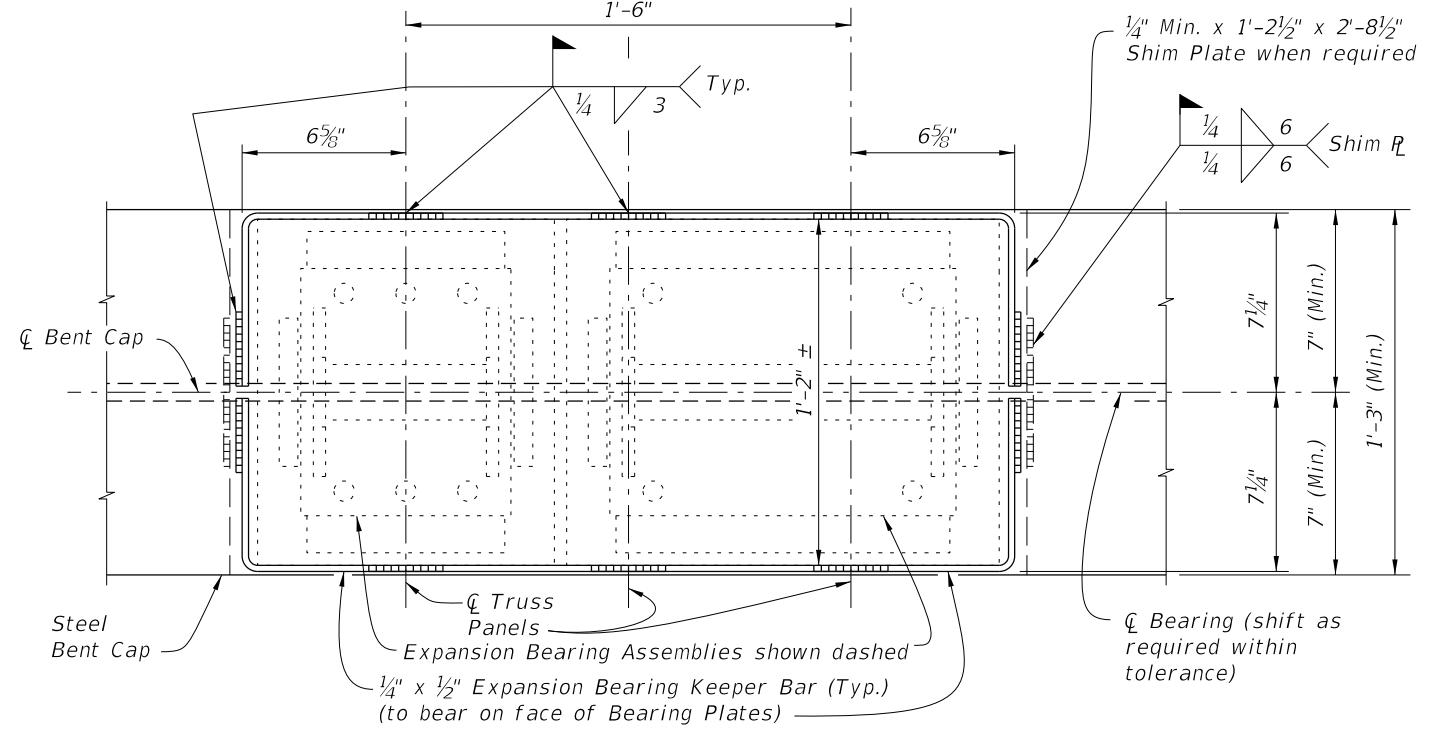


END VIEW

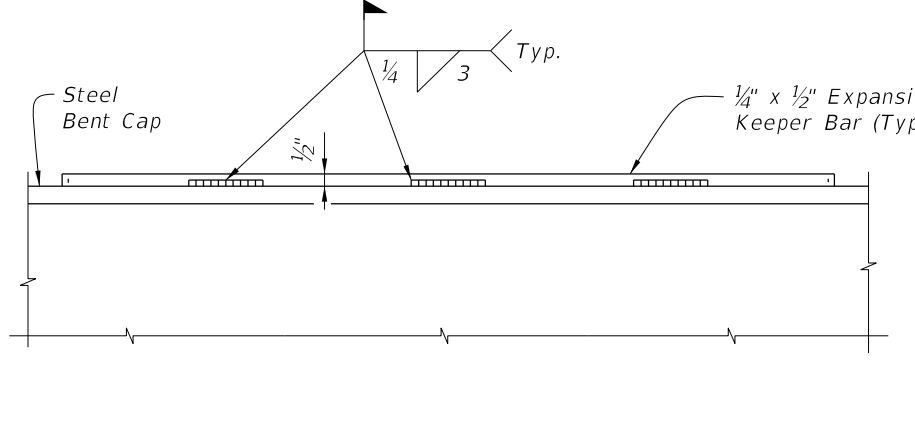


FIXED BEARING KEEPER BAR DETAIL

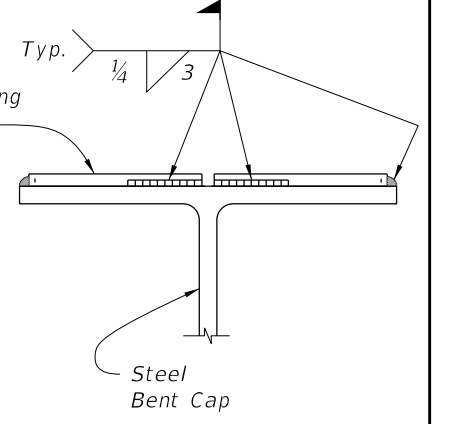
FIXED BEARING DETAILS



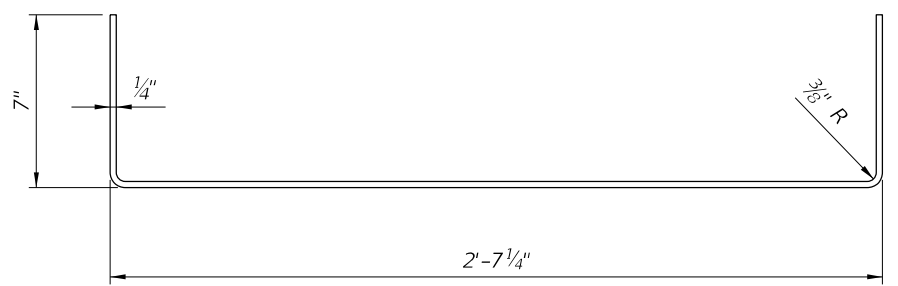
PARTIAL PLAN VIEW



PARTIAL ELEVATION VIEW



END VIEW



EXPANSION BEARING KEEPER BAR DETAIL

EXPANSION BEARING DETAILS

10/21/2022 11:09:51 AM

LAST REVISION 01/01/16	DESCRIPTION:
---------------------------	--------------

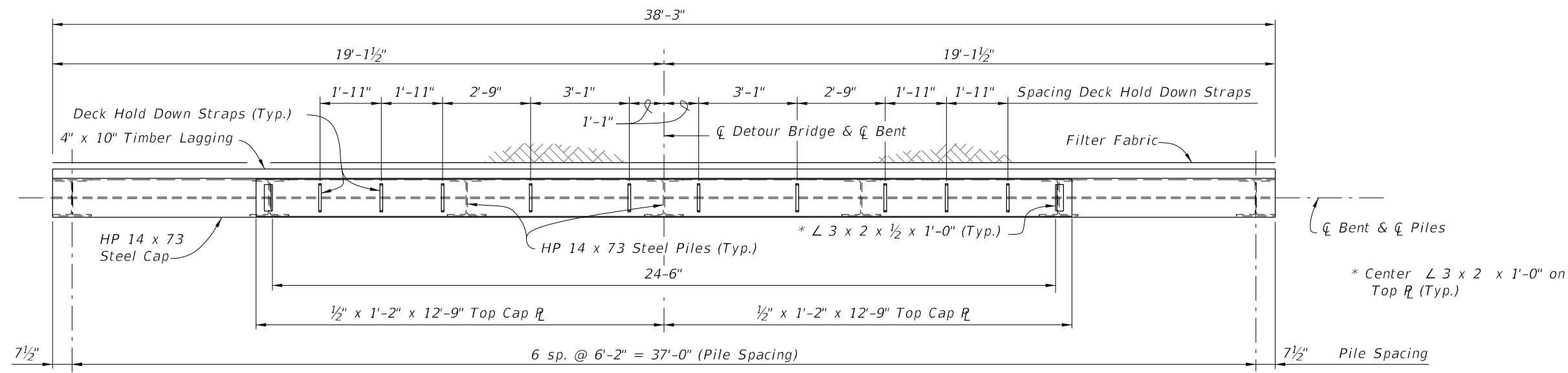


FY 2023-24
STANDARD PLANS

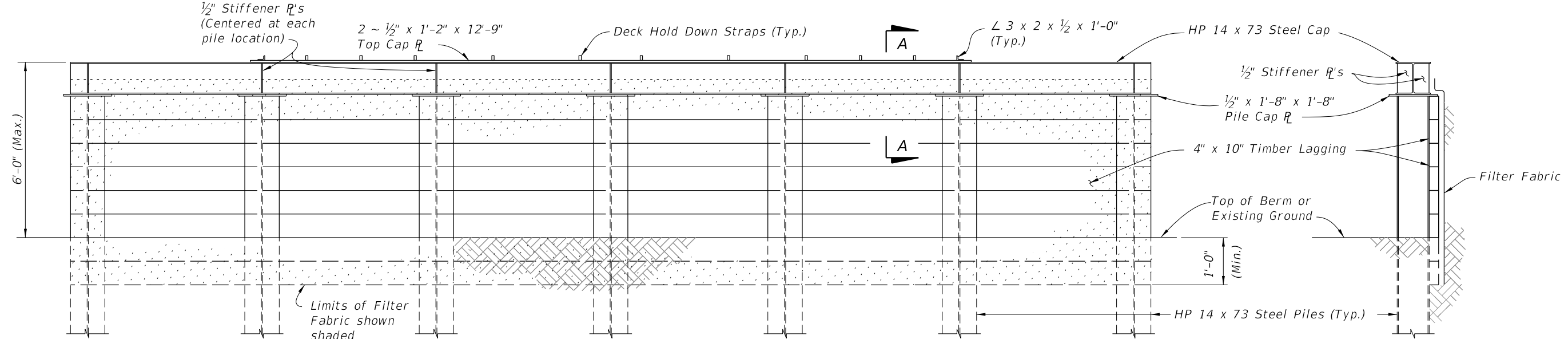
TEMPORARY DETOUR BRIDGE DETAILS
STEEL H PILE FOUNDATIONS

INDEX
102-220

SHEET
1 of 2

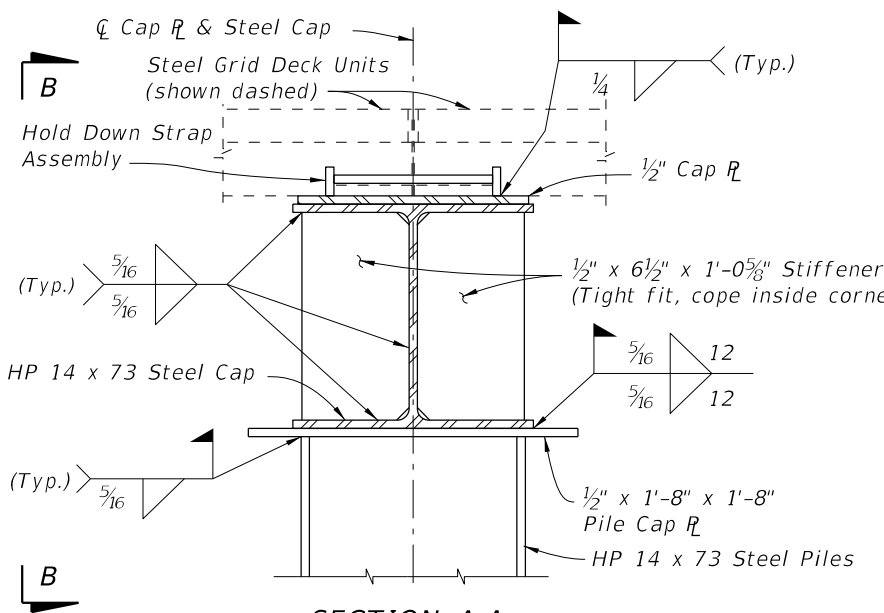


PLAN VIEW

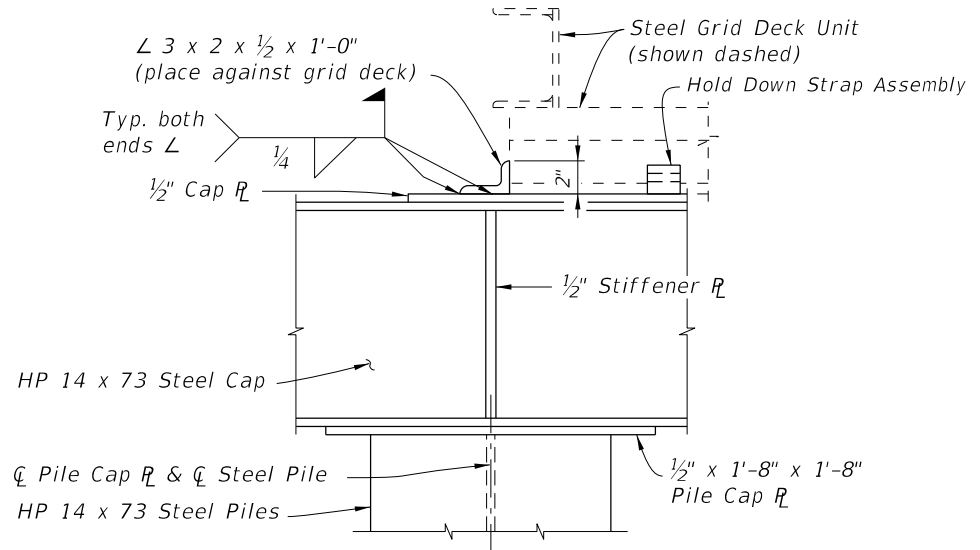


ELEVATION VIEW

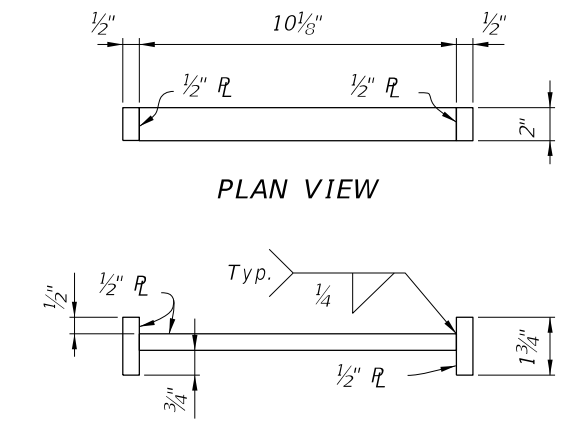
END VIEW



SECTION A-A (LAGGING NOT SHOWN FOR CLARITY)



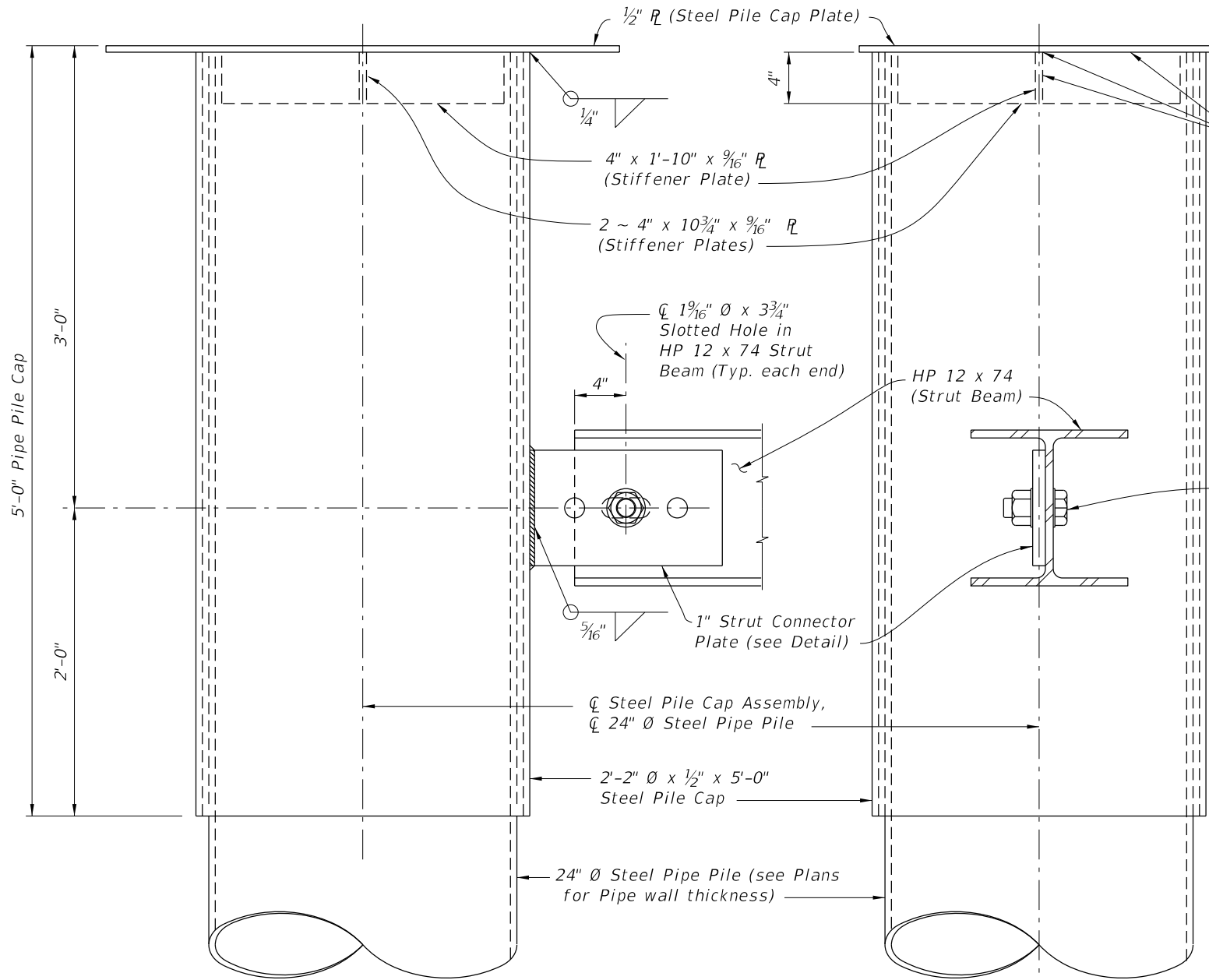
VIEW B-B



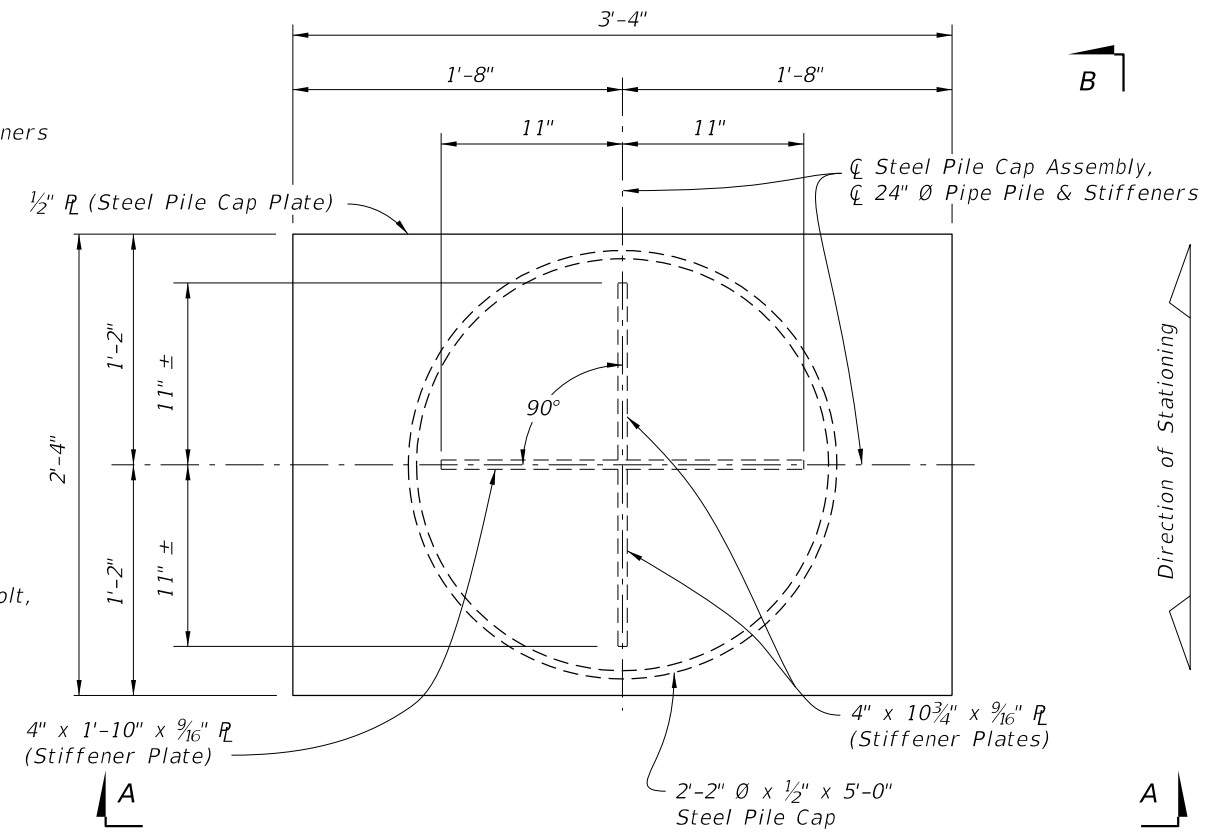
BACKWALL BENT DETAILS

10/21/2022 11:09:53 AM

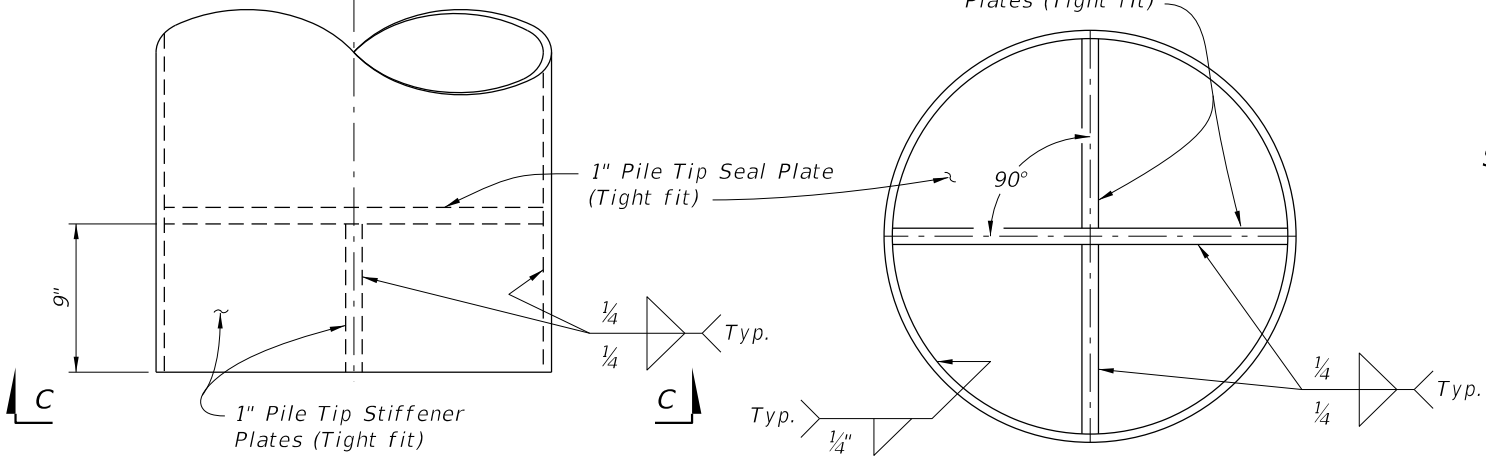
LAST REVISION 07/01/06	DESCRIPTION:		FY 2023-24 STANDARD PLANS	TEMPORARY DETOUR BRIDGE DETAILS STEEL H PILE FOUNDATIONS	INDEX	SHEET
					102-220	2 of 2



PARTIAL VIEW A-A

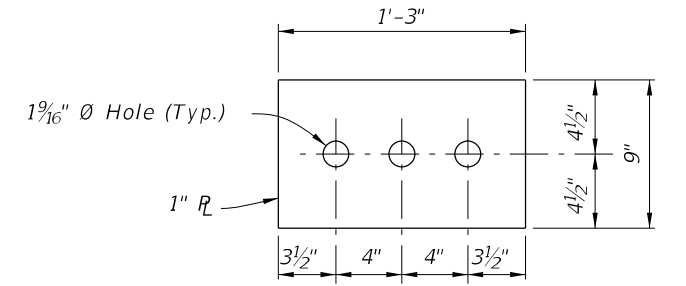


PLAN VIEW STEEL PILE CAP ASSEMBLY
(Bearing Plates and Bearing Keeper Bars not show for clarity)



VIEW B-B

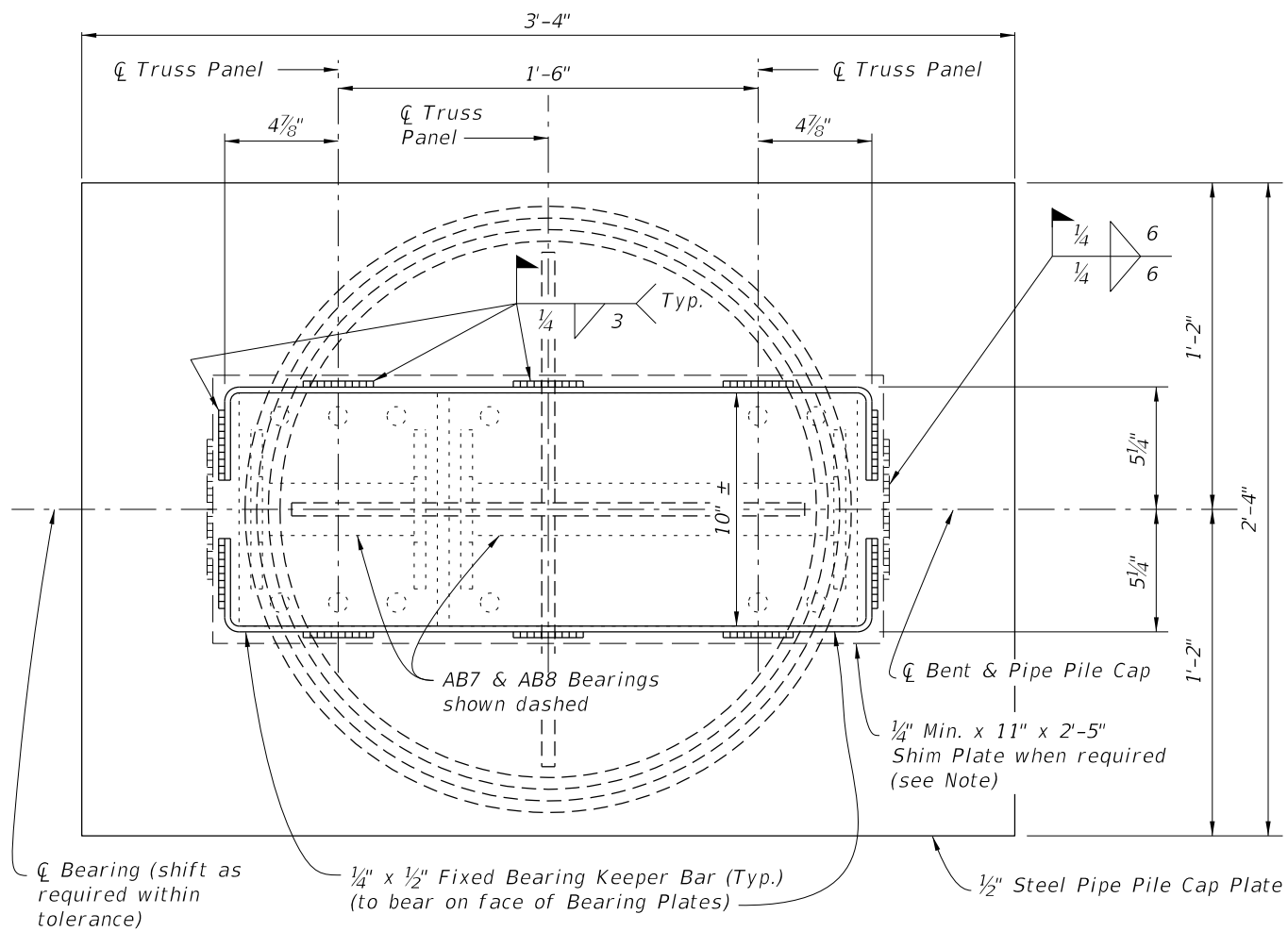
VIEW C-C
PILE TIP DETAIL



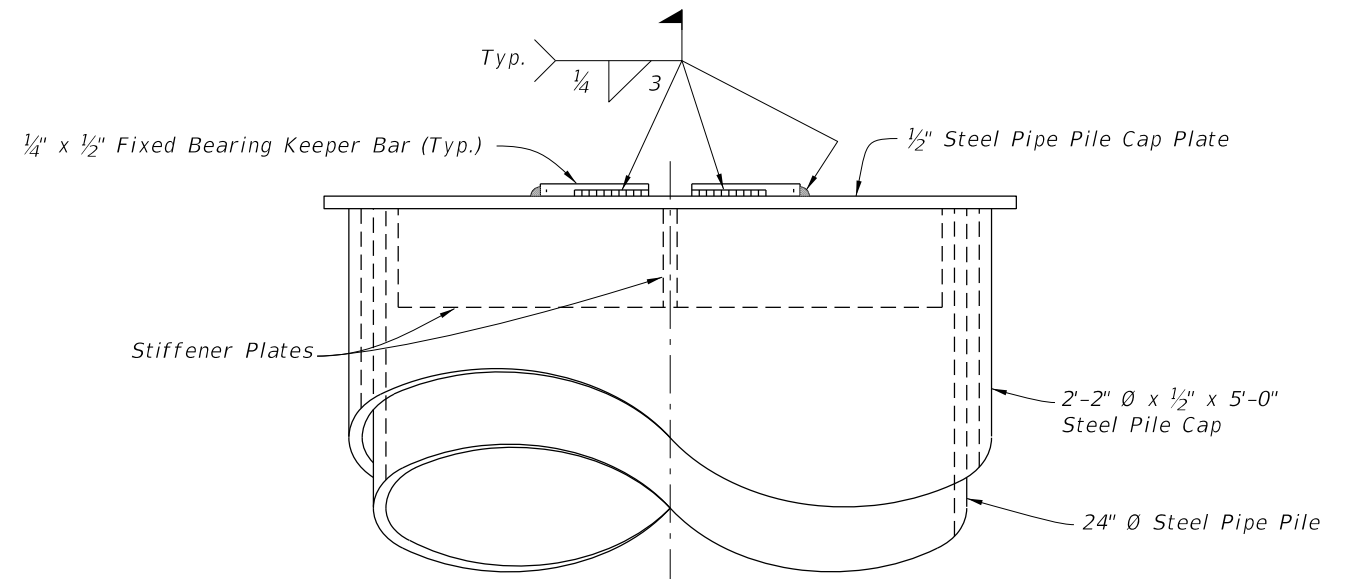
STRUT CONNECTOR PLATE DETAIL

10/21/2022 11:09:55 AM

LAST REVISION 07/01/15	REVISION	DESCRIPTION:		FY 2023-24 STANDARD PLANS	TEMPORARY DETOUR BRIDGE DETAILS STEEL PIPE PILE FOUNDATIONS	INDEX 102-230	SHEET 1 of 3
---------------------------	----------	--------------	--	------------------------------	--	------------------	-----------------

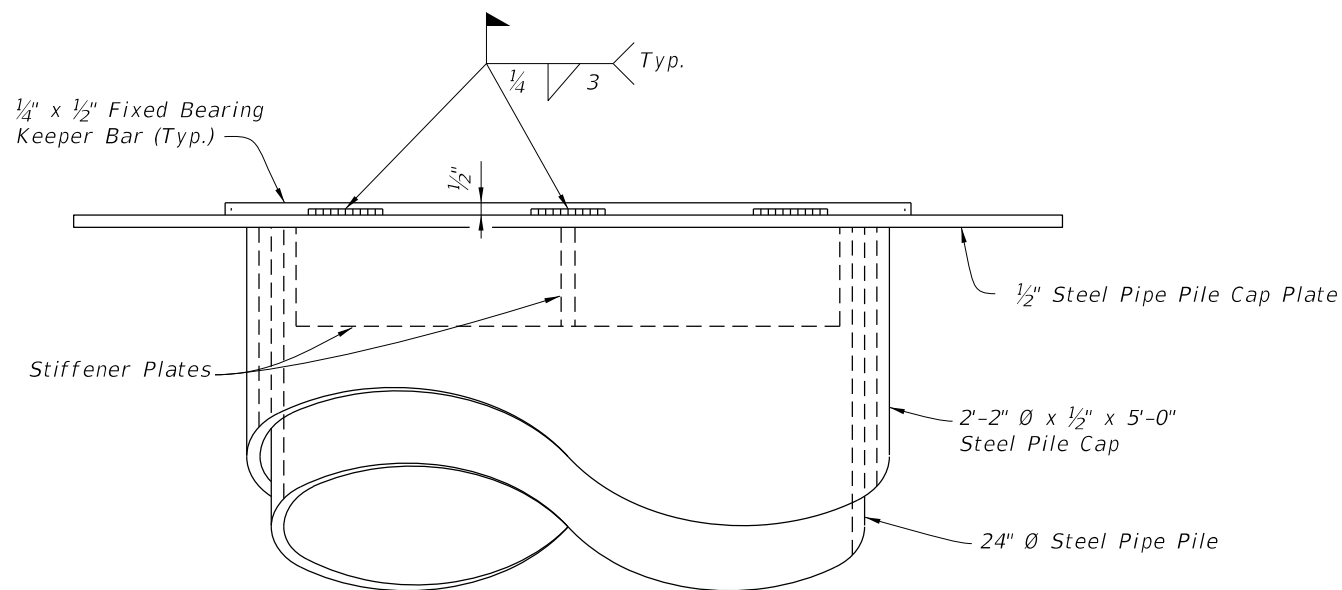


PARTIAL PLAN VIEW

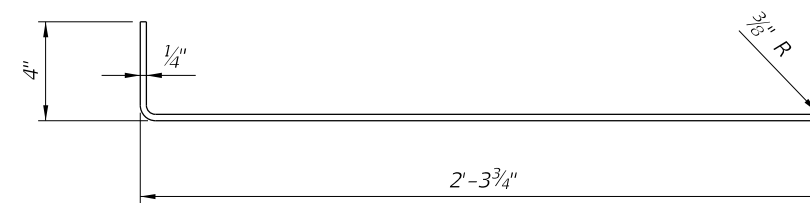


END VIEW

Note:
Use Shim Plates as required to provide equal bearing seat elevations across the bent. Vary thickness of Shim Plate across the pile cap plate to provide a level bearing area in the transverse direction.




PARTIAL ELEVATION VIEW

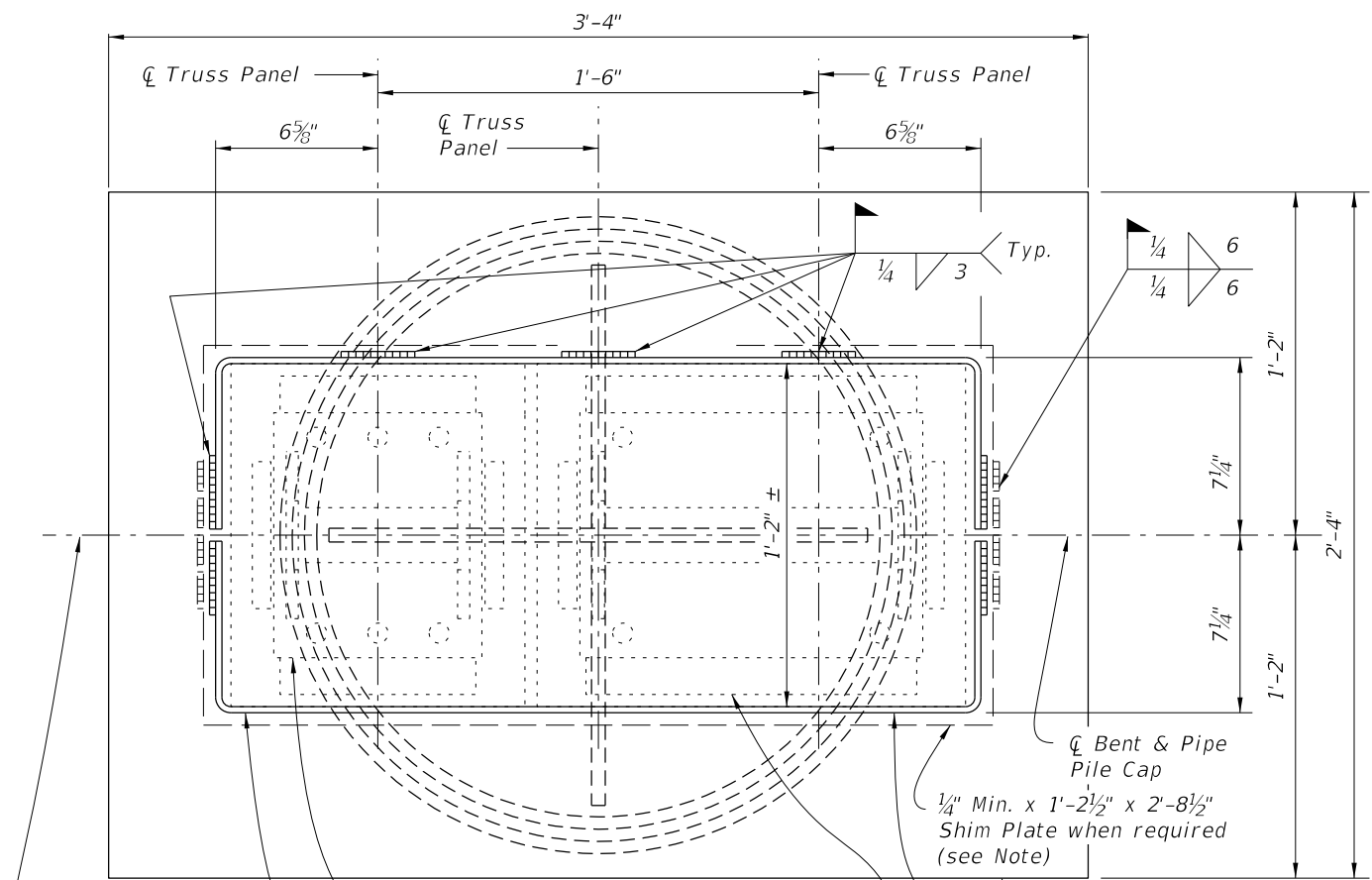


FIXED BEARING KEEPER BAR DETAIL

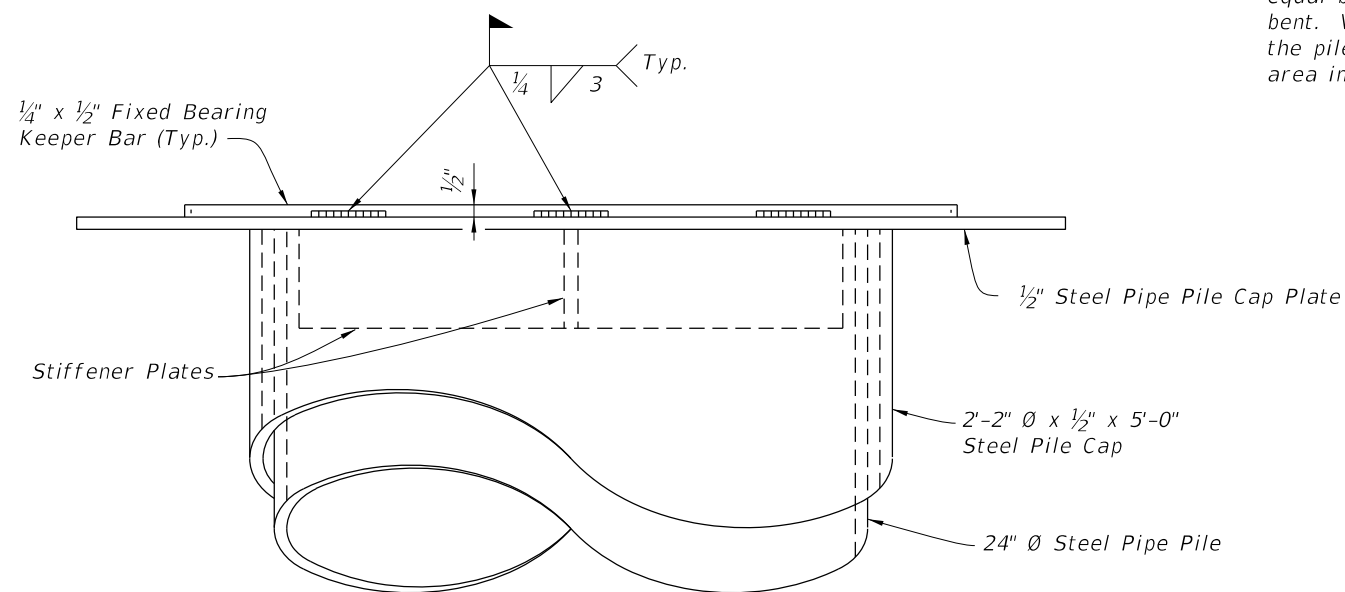
FIXED BEARING DETAILS

10/21/2022 11:09:57 AM

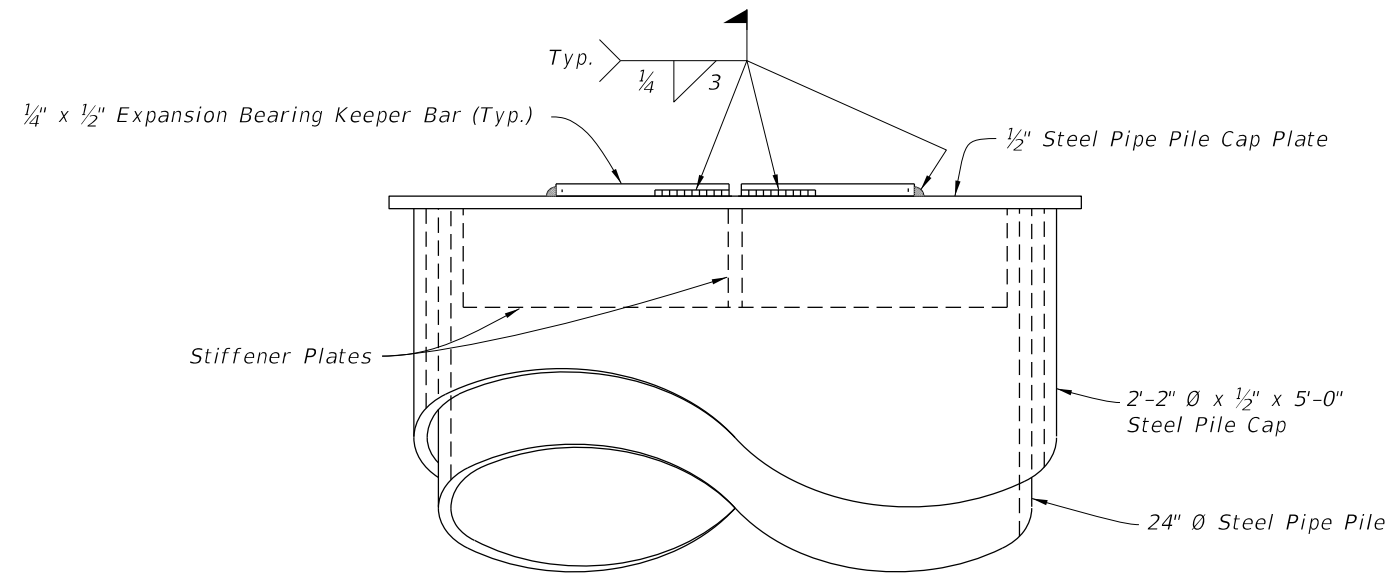
LAST REVISION 01/01/16	REVISION	DESCRIPTION:		FY 2023-24 STANDARD PLANS	TEMPORARY DETOUR BRIDGE DETAILS STEEL PIPE PILE FOUNDATIONS	INDEX 102-230	SHEET 2 of 3
---------------------------	----------	--------------	---	------------------------------	--	------------------	-----------------



PARTIAL PLAN VIEW



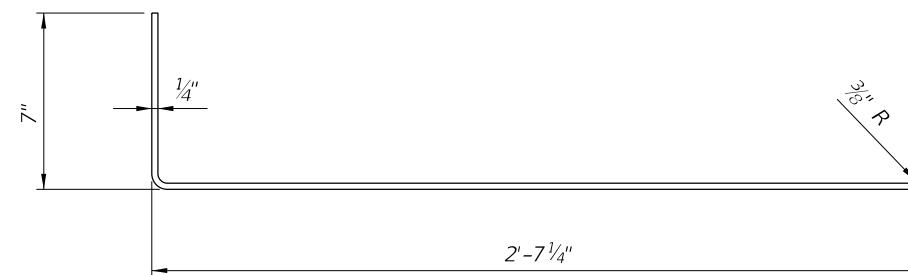
PARTIAL ELEVATION VIEW



END VIEW

Note:


Use Shim Plates as required to provide equal bearing seat elevations across the bent. Vary thickness of Shim Plate across the pile cap plate to provide a level bearing area in the transverse direction.

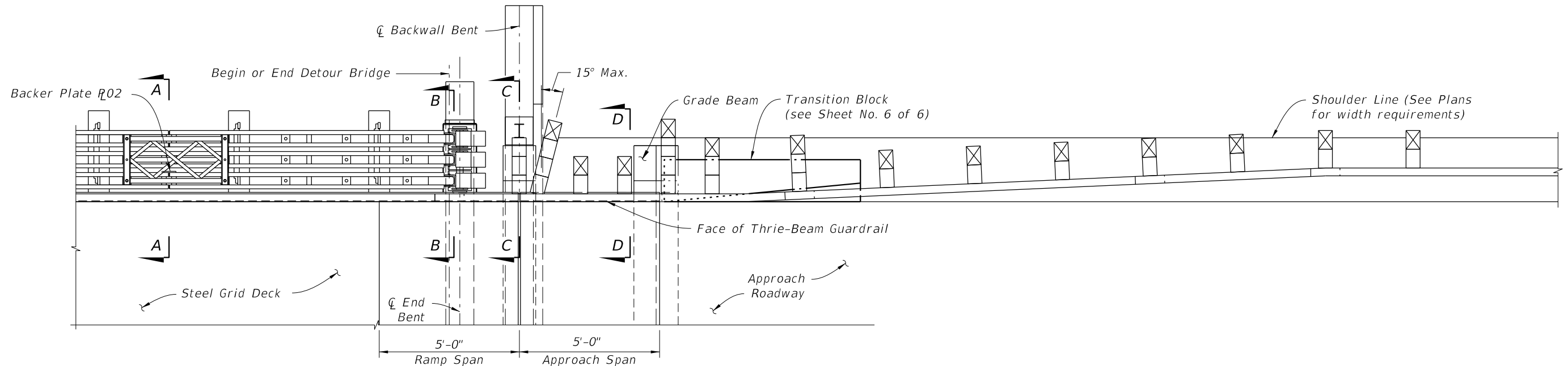


EXPANSION BEARING KEEPER BAR DETAIL

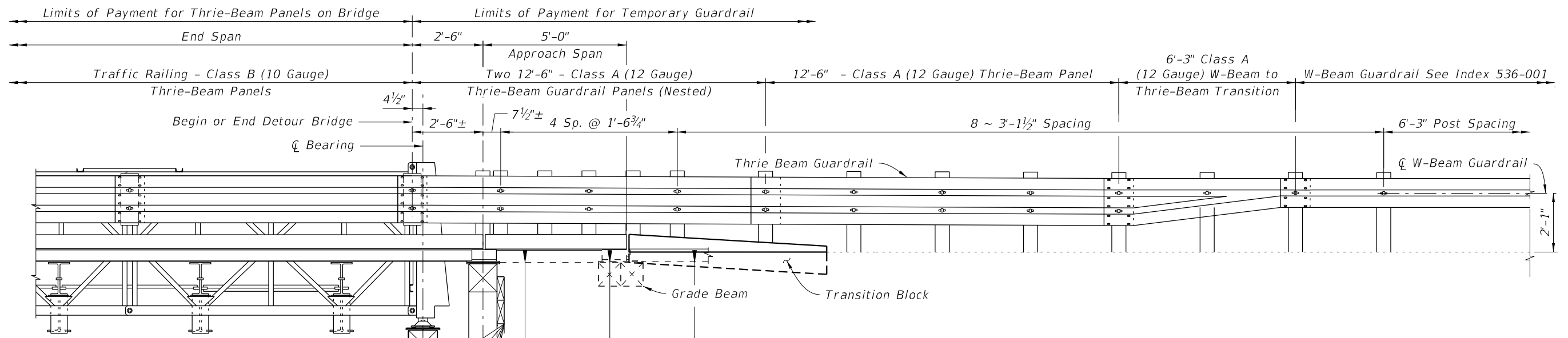
ABUTMENT AND INTERMEDIATE EXPANSION BEARING DETAILS

10/21/2022 11:09:59 AM

LAST REVISION 01/01/16	REVISION	DESCRIPTION:	 FY 2023-24 STANDARD PLANS	TEMPORARY DETOUR BRIDGE DETAILS STEEL PIPE PILE FOUNDATIONS	INDEX 102-230	SHEET 3 of 3
---------------------------	----------	--------------	--	--	------------------	-----------------




PARTIAL PLAN - APPROACH TRANSITION

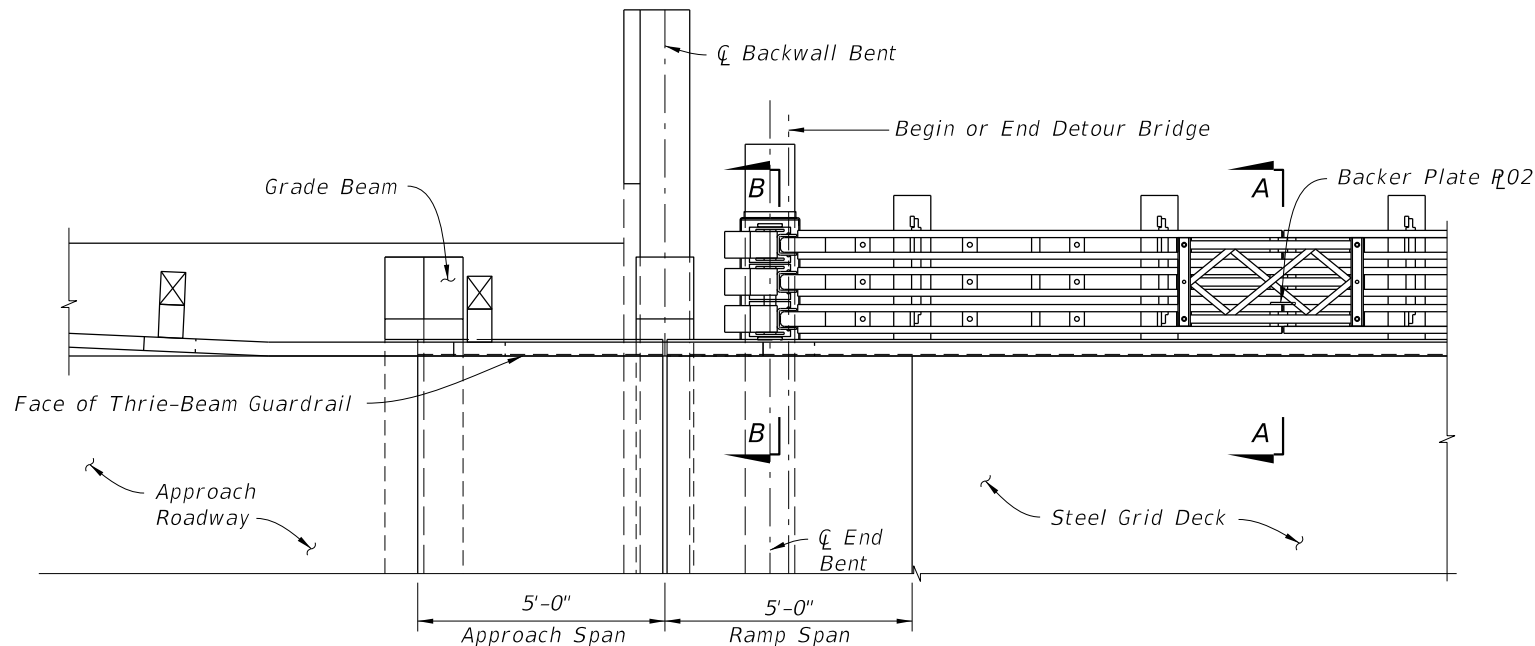


PARTIAL ELEVATION - APPROACH TRANSITION

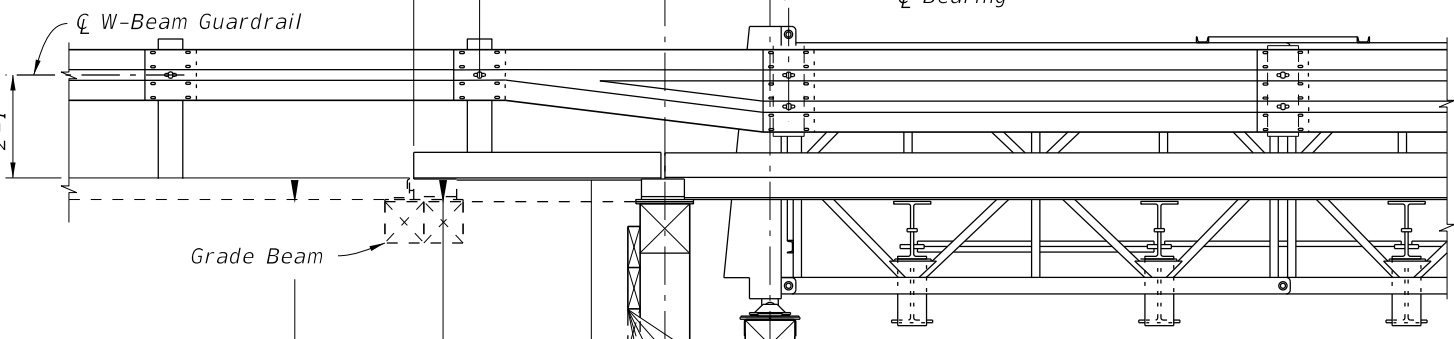
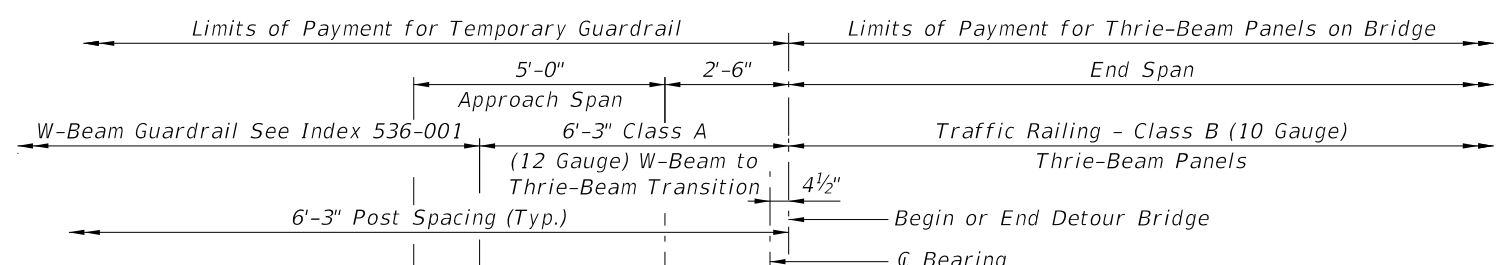
4/14/2023 10:01:04 AM

LAST REVISION 07/01/15	REVISION	DESCRIPTION:	 FY 2023-24 STANDARD PLANS	TEMPORARY DETOUR BRIDGE THRIE-BEAM GUARDRAIL	INDEX 102-240	SHEET 1 of 6
---------------------------	----------	--------------	---	---	------------------	-----------------

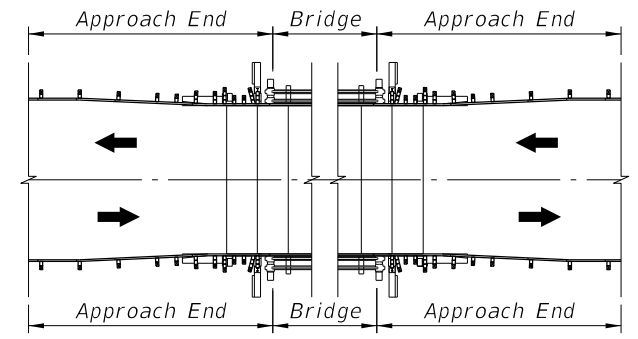
THRIE-BEAM GUARDRAIL APPROACH TRANSITION



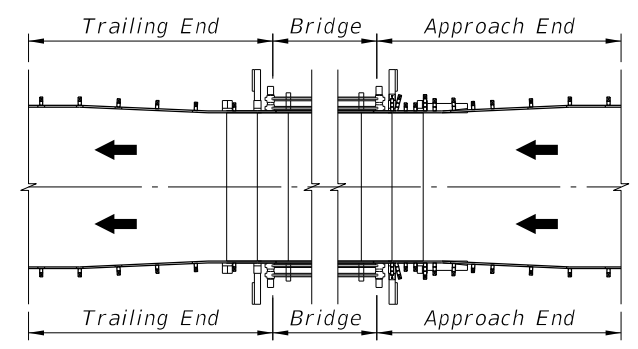
PARTIAL PLAN - TRAILING END



PARTIAL ELEVATION - TRAILING END



TWO-WAY TRAFFIC



ONE-WAY TRAFFIC

END TRANSITION APPLICATION DETAILS

4/14/2023 10:01:12 AM

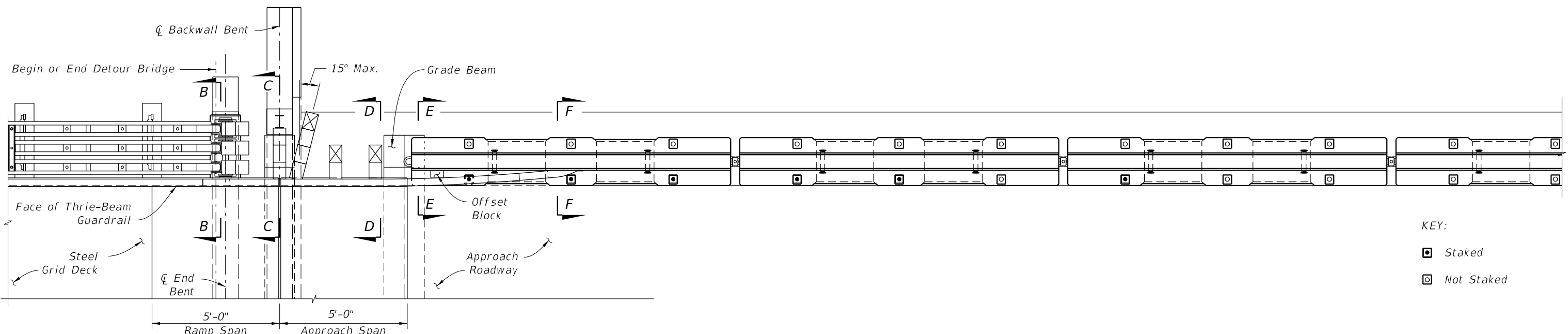
THRIE-BEAM GUARDRAIL TRAILING END TRANSITION

LAST REVISION 07/01/15	DESCRIPTION:
---------------------------	--------------


 FY 2023-24
 STANDARD PLANS

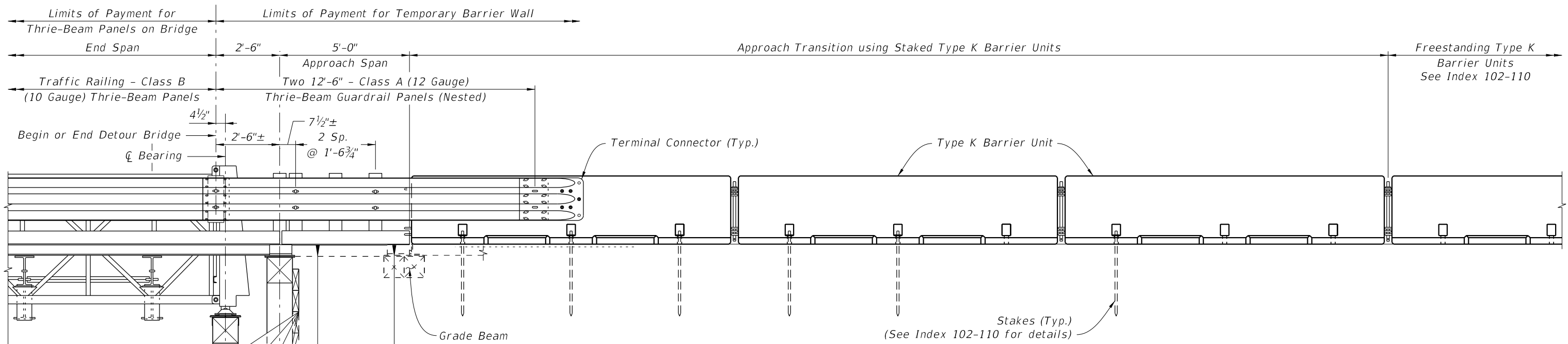
TEMPORARY DETOUR BRIDGE
 THRIE-BEAM GUARDRAIL

INDEX 102-240	SHEET 2 of 6
------------------	-----------------



PARTIAL PLAN - APPROACH TRANSITION SHOWN
(TRAILING END SIMILAR)

KEY:
 [Symbol] Staked
 [Symbol] Not Staked

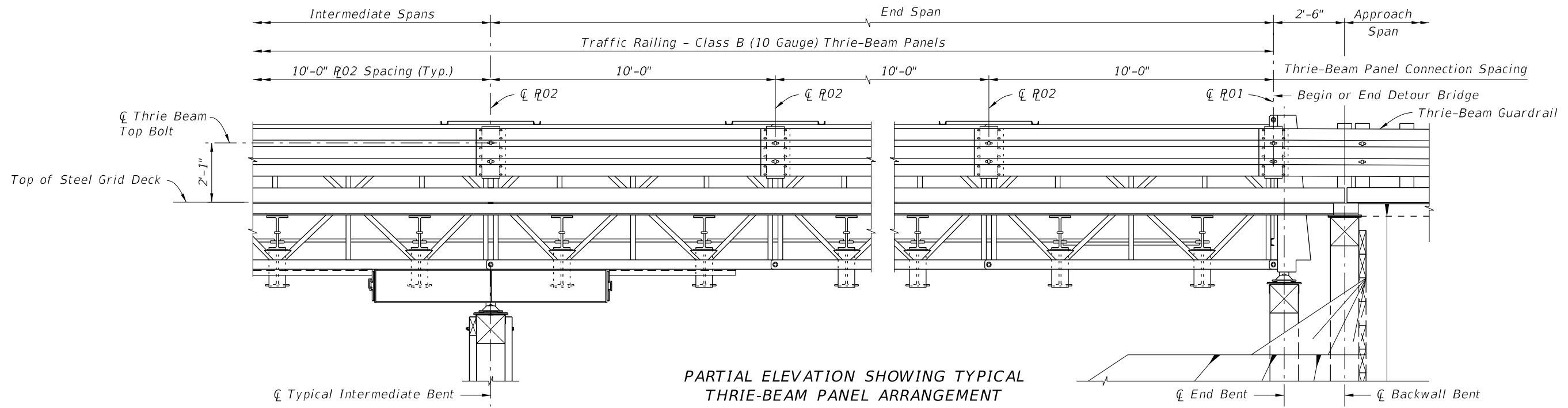


PARTIAL ELEVATION - APPROACH TRANSITION SHOWN
(TRAILING END SIMILAR)

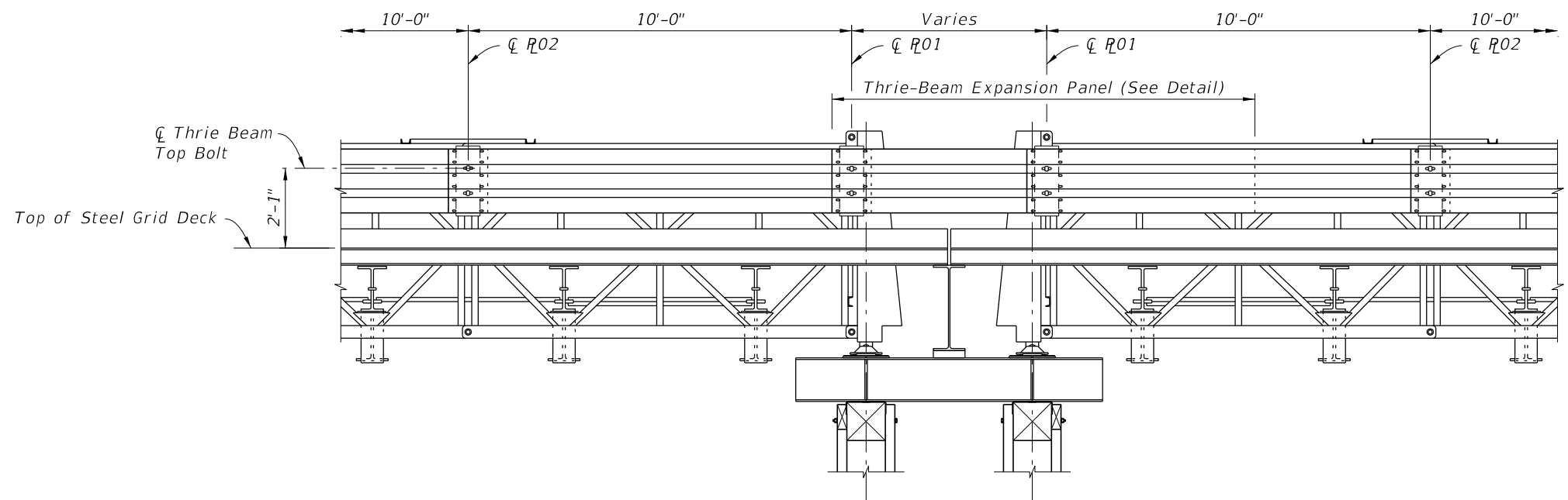
4/14/2023 10:01:20 AM

TYPE K BARRIER UNIT APPROACH TRANSITION

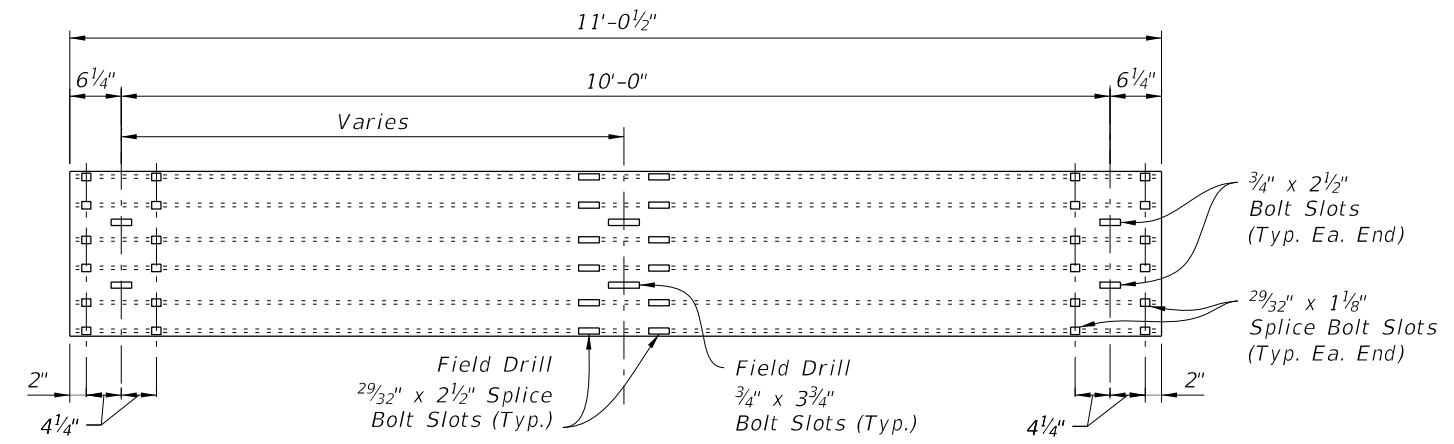
LAST REVISION 07/01/15	DESCRIPTION:		FY 2023-24 STANDARD PLANS	TEMPORARY DETOUR BRIDGE THRIE-BEAM GUARDRAIL	INDEX 102-240	SHEET 3 of 6
---------------------------	--------------	--	------------------------------	---	------------------	-----------------



PARTIAL ELEVATION SHOWING TYPICAL THRIE-BEAM PANEL ARRANGEMENT




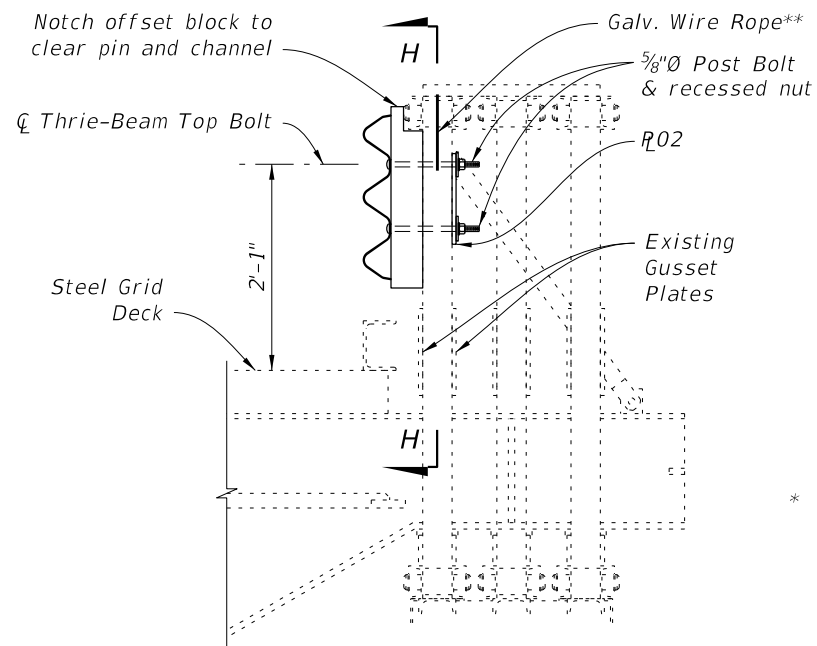
PARTIAL ELEVATION SHOWING THRIE-BEAM PANELS AT EXPANSION JOINT



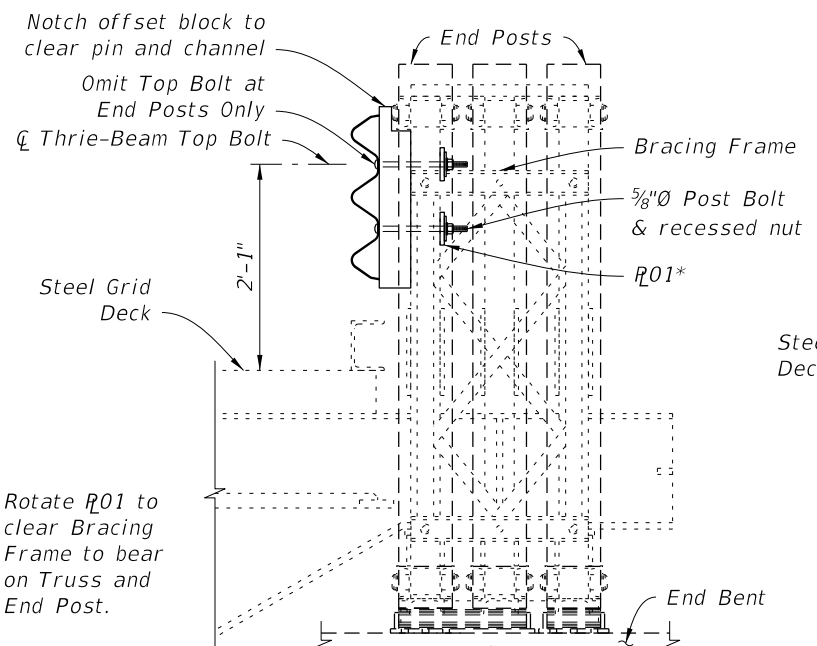
THRIE-BEAM EXPANSION PANEL DETAIL

10/6/2022 12:47:22 PM

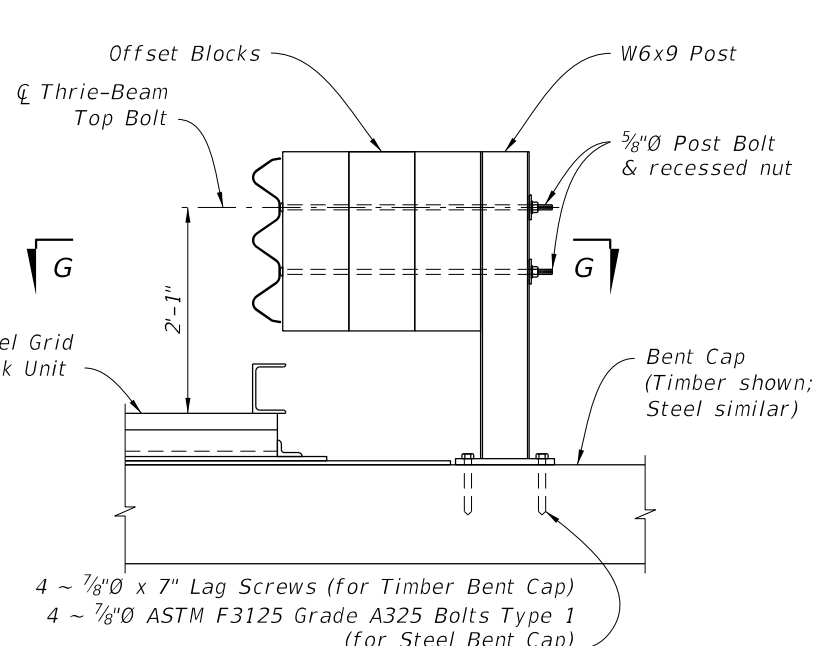
LAST REVISION 07/01/15	REVISION	DESCRIPTION:		FY 2023-24 STANDARD PLANS	TEMPORARY DETOUR BRIDGE THRIE-BEAM GUARDRAIL	INDEX 102-240	SHEET 4 of 6
---------------------------	----------	--------------	--	------------------------------	---	------------------	-----------------



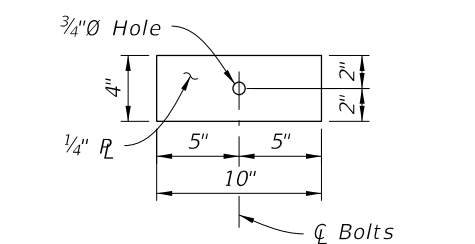
SECTION A-A



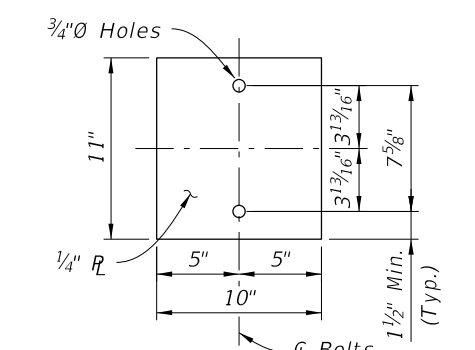
SECTION B-B



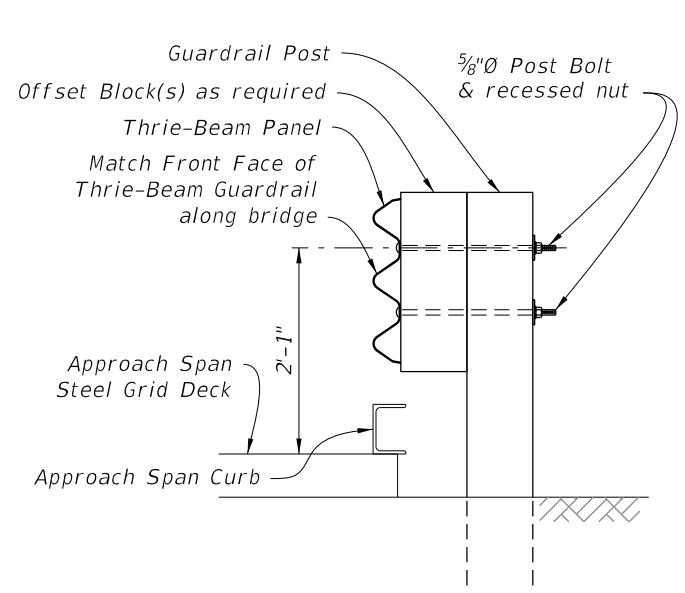
SECTION C-C



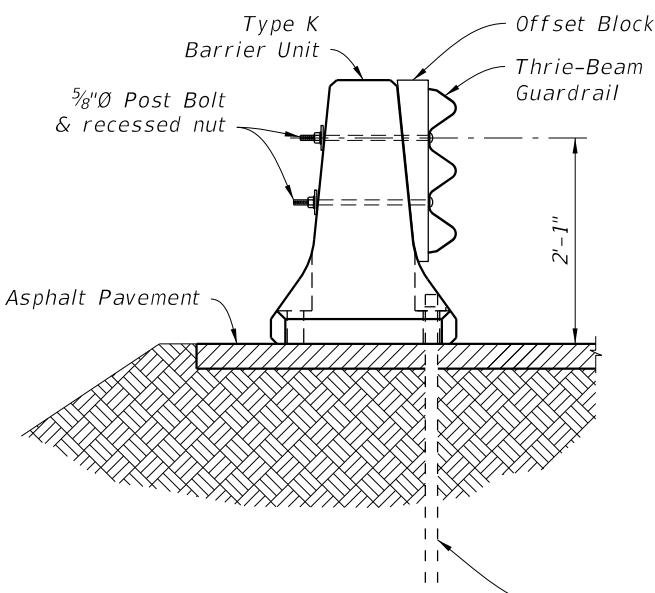
BACKER PLATE R01 DETAIL



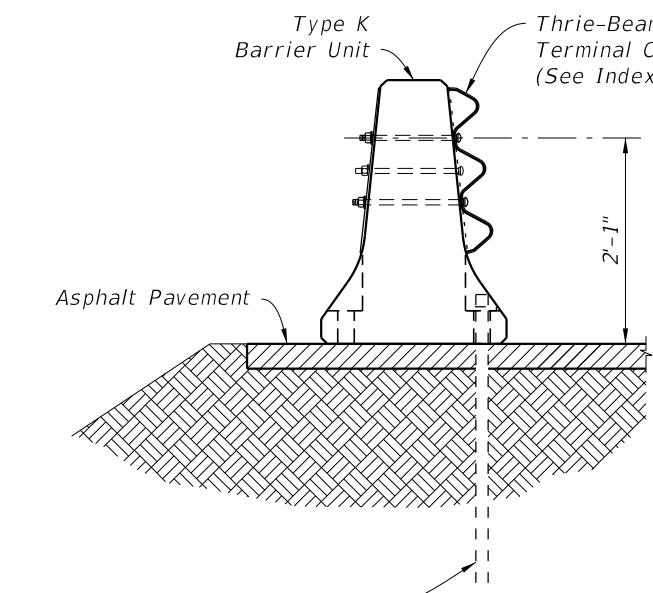
BACKER PLATE R02 DETAIL



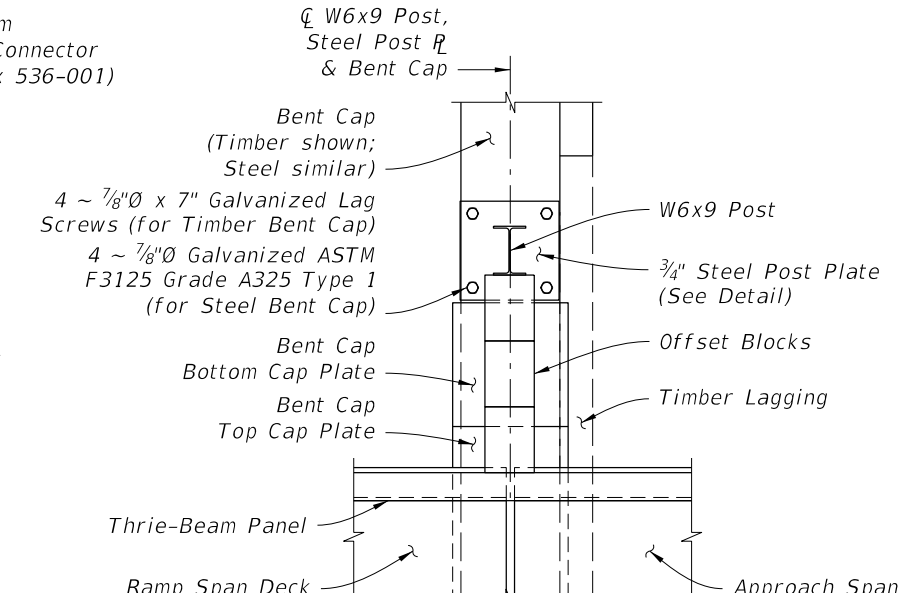
SECTION D-D



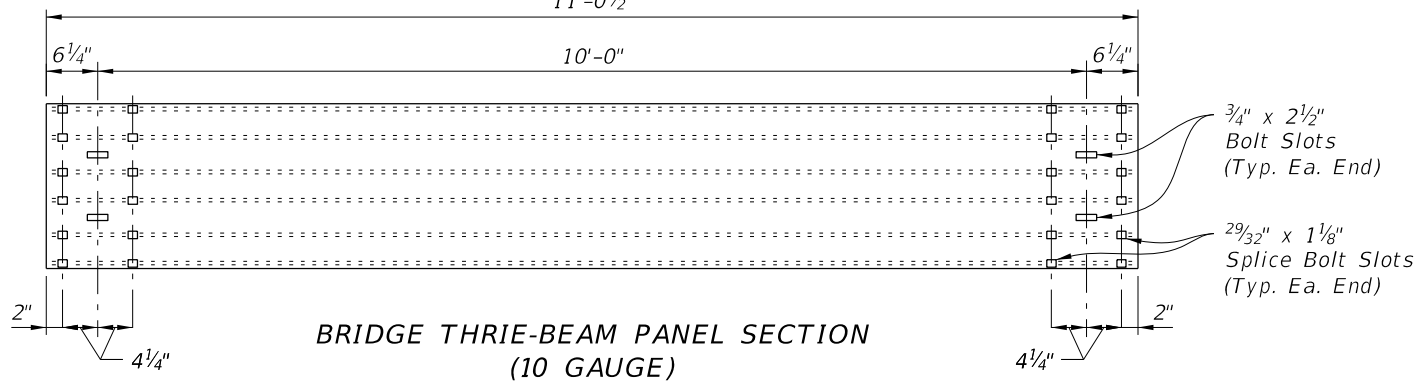
SECTION E-E



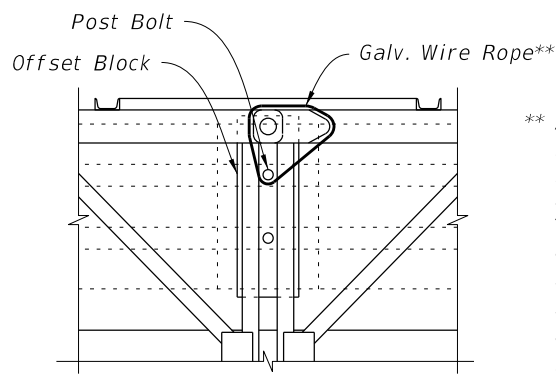
SECTION F-F



VIEW G-G
(Adjacent Post and Offset Blocks not shown for clarity)

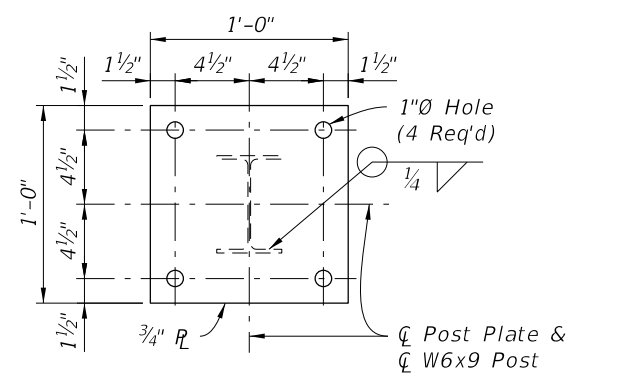


BRIDGE THRIE-BEAM PANEL SECTION
(10 GAUGE)



SECTION H-H

** As directed by the Engineer in order to limit vibration induced vertical displacement of the Thrie-Beam Panels, provide Contractor supplied, one time use, commercially available 3/16 inch (Min.) Galvanized Wire Rope w/ Ferrules (or other approved wire type) positioned and tensioned as required to secure the Panels.

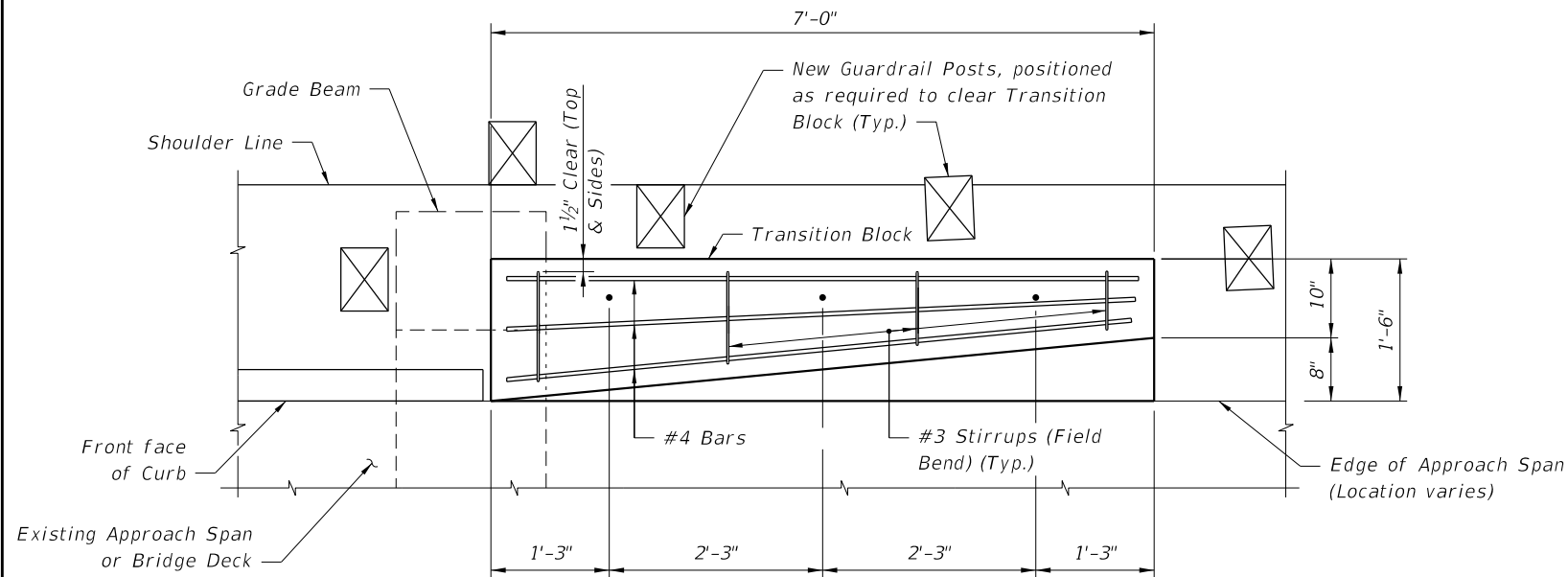


STEEL POST PLATE DETAIL

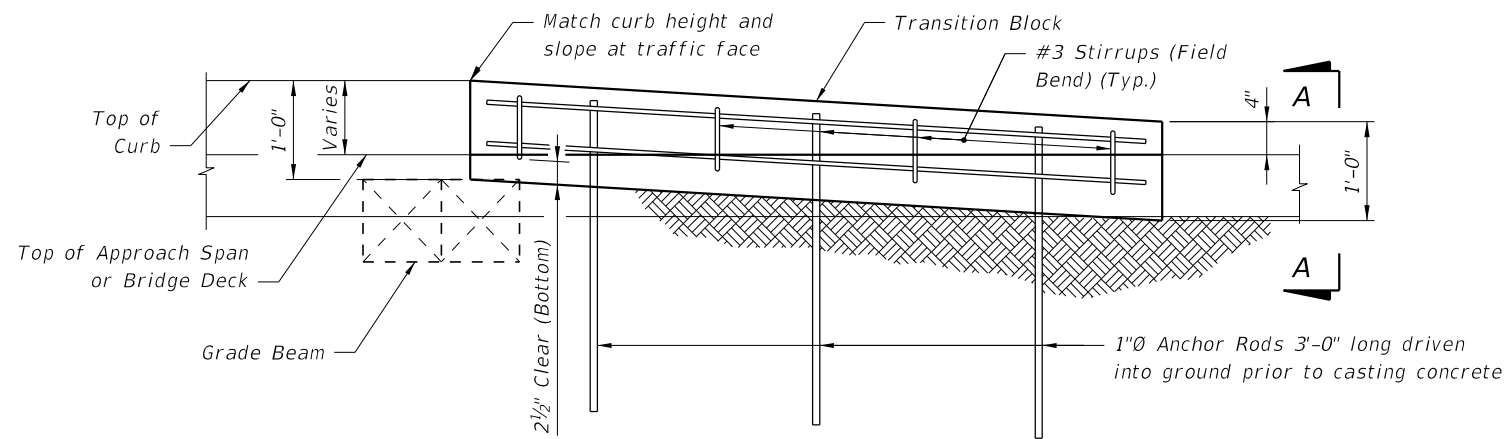
SECTIONS AND DETAILS

4/14/2023 10:01:27 AM

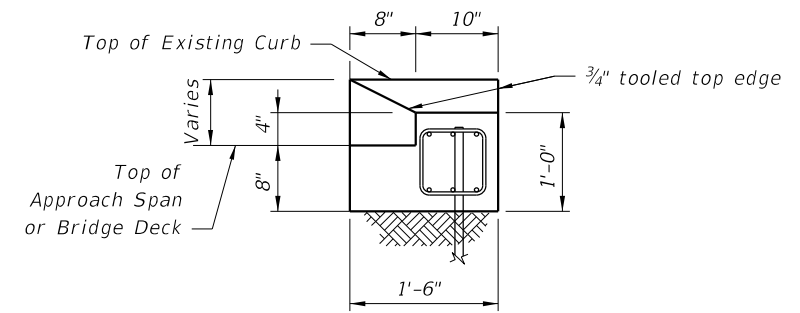
LAST REVISION 11/01/16	REVISION	DESCRIPTION:		FY 2023-24 STANDARD PLANS	TEMPORARY DETOUR BRIDGE THRIE-BEAM GUARDRAIL	INDEX 102-240	SHEET 5 of 6
---------------------------	----------	--------------	--	------------------------------	---	------------------	-----------------



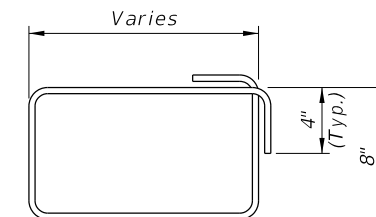
PLAN VIEW OF TRANSITION BLOCK
(GUARDRAIL NOT SHOWN FOR CLARITY)



ELEVATION OF TRANSITION BLOCK
(GUARDRAIL AND POSTS NOT SHOWN FOR CLARITY)



END VIEW A-A



#3 STIRRUP (FIELD BEND)

ESTIMATED QUANTITIES		
ITEM	UNIT	QUANTITY
Concrete Class NS	CY	0.4
Reinforcing Steel	LB	61
Guardrail (Reset)	LF	12.5

NOTES:

REINFORCING STEEL: Reinforcing steel shall be ASTM A615, Grade 60.

ANCHOR RODS: Steel Anchor Rods shall be ASTM A36, ASTM A709 Grade 36 or ASTM A615 Grade 60 hot-dip galvanized in accordance with Specification Section 962.

4/14/2023 10:01:35 AM