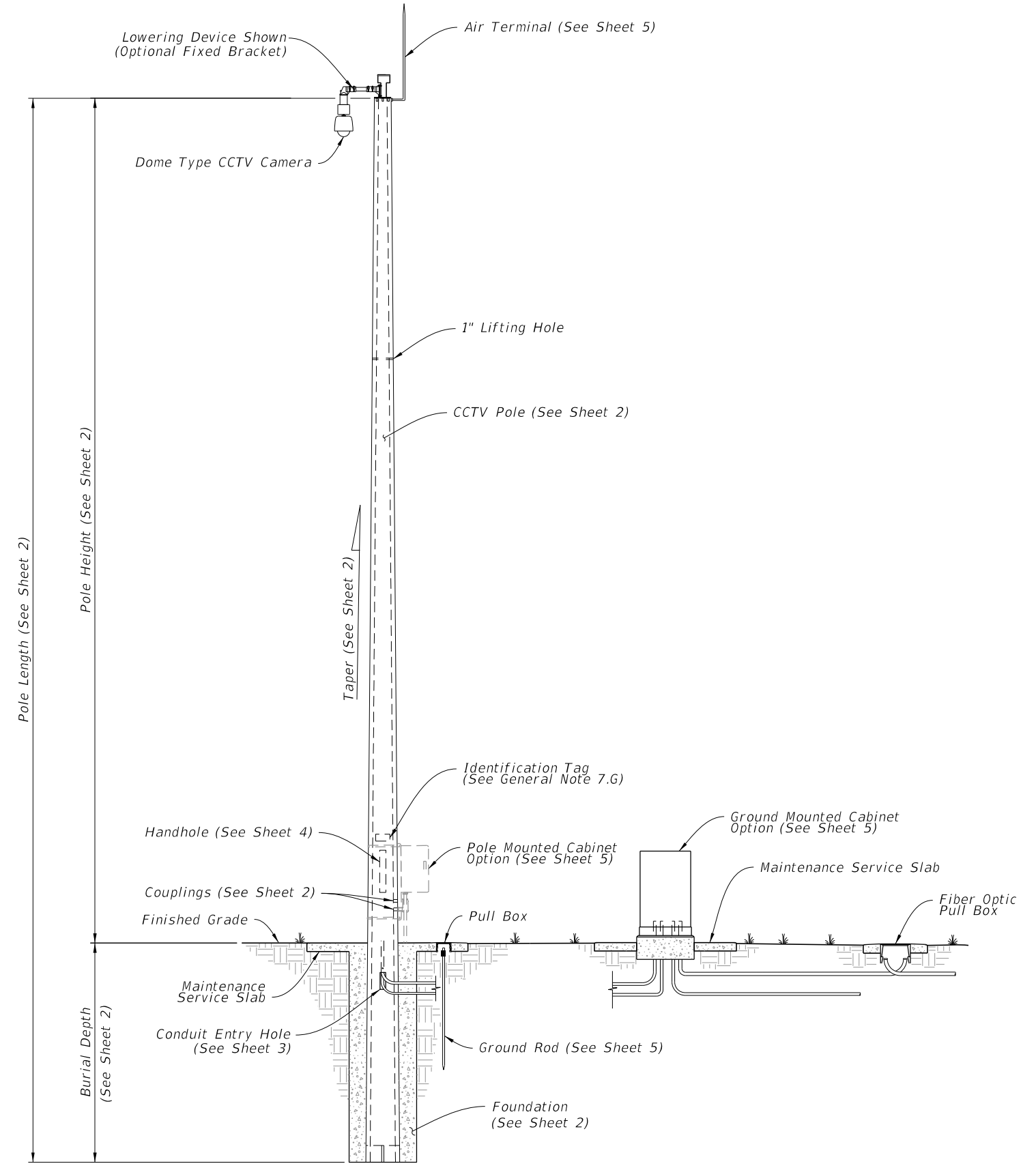


GENERAL NOTES:

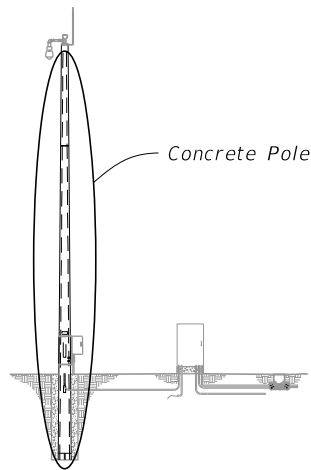
1. Work this Index with Specification 641.
2. This Index is considered fully detailed and no shop drawings are necessary. Submit Shop Drawings for minor modifications not detailed in the Plans.
3. Provide either round or 12-sided Poles.
4. See Index 635-001 for additional Pull Box details.
5. See Index 676-010 for cabinet installation details.
6. Materials:
 - A. Pole: Use Class VI concrete with 6 ksi minimum strength at transfer.
 - B. Prestressing Strands: ASTM A416, Grade 270 low relaxation.
 - C. Reinforcing Steel: ASTM A615, Grade 60
 - D. Spiral Reinforcing: ASTM A1064 Cold-Drawn
 - E. Bolts: ASTM F1554, Grade 55
Nuts: ASTM A563, Grade A Heavy Hex
Washers: ASTM F436
 - F. Steel plates and Pole Cap: ASTM A36 or ASTM A709, Grade 50
 - G. Galvanization: Bolts, nuts and washers: ASTM F2329
All other steel: ASTM A123
7. Fabrication:
 - A. Cut the tip end of the prestressed strand first or simultaneously with the butt end.
 - B. For spiral reinforcing, one turn is required for spiral splices and two turns are required at the top and bottom of poles.
 - C. For Reinforcing Steel, lap splice to consist of a 3'-0" lap length at each splice. No more than two opposing rebar to be spliced at the same cross section. Stagger lap splices as needed.
 - D. Provide a Class 3 surface finish in accordance with Specification 400.
 - E. Provide a 1" minimum cover.
 - F. Provide handhole and coupler cover plates made of non-corrosive materials. Attach cover plates to poles using lead anchors or threaded inserts embedded in the poles in conjunction with round headed chrome plated screws.
 - G. Provide Identification Markings on the poles where indicated on the following sheets. Include the following information using inset numerals with 1" height or as approved in the Producers' Quality Control Program:
 - Financial Project ID
 - Pole Manufacturer
 - Pole Length
 - H. Tie ground wires to the interior of reinforcing steel as necessary to prevent displacement during concreting operations.
 - I. Storage, Handling and Erection locations shown may vary within $\pm 3"$.
8. Pole Installation:
 - A. Install the Pole plumb.
 - B. Install Pole with the handhole located away from approaching traffic.
9. Cabinet Installation:
 - A. Splice fiber optic cables in cabinet to preterminated patch panel.
 - B. Furnish and install Surge Protection Devices (SPDs) on all cabling in cabinet.
 - C. Furnish and install secondary SPDs protection on outlets for equipment in cabinet.
 - D. Ensure that all electronic equipment power is protected and conditioned with SPDs.
 - E. Ensure that equipment cabinet is bonded to CCTV pole grounding system.
 - F. Install the pole mounted cabinet with the hinges next to the pole.
 - G. Sizes and types of conduits and innerducts for network communications between the pullbox and cabinet are stated in the Contract Documents.
10. Lowering Device Installation:
 - A. Place the lowering cable that moves within the pole in an interior conduit to prevent it from tangling or interfering with any electrical wire that is in the pole. Ensure that any electrical wire within the pole is routed securely and free from slack.
 - B. Mount lowering arm perpendicular to the roadway or as shown in the plans. Position CCTV pole so that the camera can be safely lowered without requiring lane closures.
 - C. Coordinate all lowering device hardware requirements (including Tenon, Tenon mounting plates, parking stand, etc.) with lowering device manufacturer.



CCTV POLE ASSEMBLY

10/6/2022 2:30:37 PM

LAST REVISION 11/01/22	REVISION	DESCRIPTION:	FY 2023-24 STANDARD PLANS	CONCRETE CCTV POLE	INDEX 641-020	SHEET 1 of 5
---------------------------	----------	--------------	--------------------------------------	---------------------------	-------------------------	------------------------



ASSEMBLY

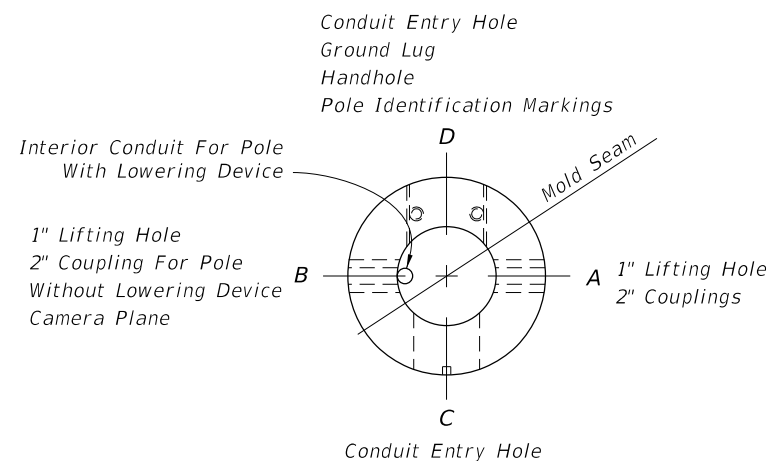
NOTES:

1. Diameter of 12-sided poles are measured flat to flat.
2. Total Taper applies to pole, strands and reinforcing.
3. For 12-Sided Pole and Round Roles Option 2, Stress prestressed strand to 70% of Ultimate before transfer. For Round Pole Option 1, stress prestressed strand to 60% of Ultimate before transfer.
4. Pole Design Tables, Burial Depth is based on level ground (flatter than 1:5). Increase the burial depth in accordance with the Additional Burial Depth Due To Ground Slope table for foundations with slopes 1:5 and steeper. Use the higher value for slope or diameter values that fall between those shown on the table.

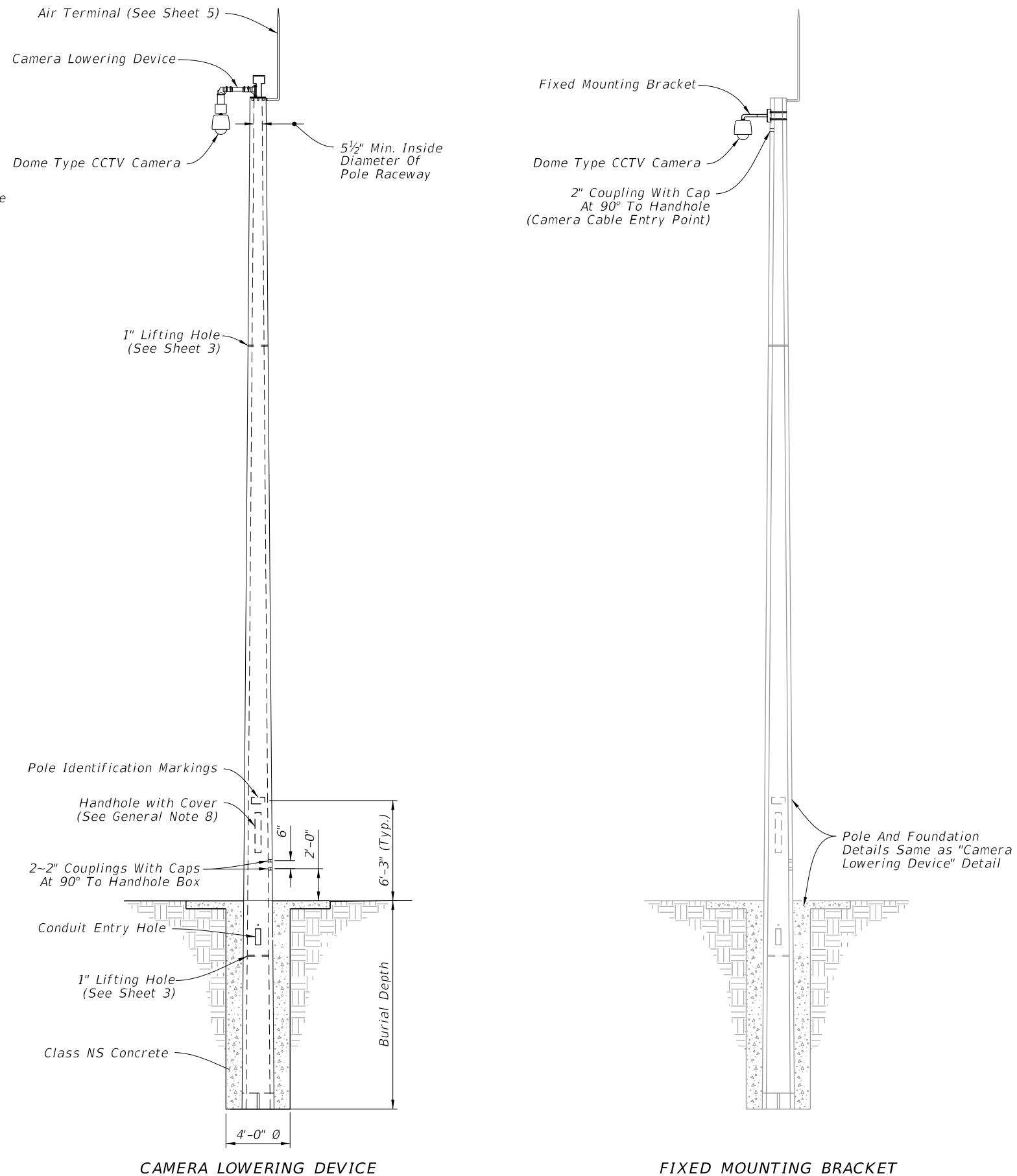
ADDITIONAL BURIAL DEPTH DUE TO GROUND SLOPE	
Ground Slope	Additional Burial Depth (feet)
1:5	3
1:4	4
1:3	5
1:2	7

12-SIDED POLE DESIGN TABLE (See Note 1)										
Pole Length (ft)	Pole Height (ft)	Burial Depth (ft)	Total Taper (in/ft) (See Note 2)	Void Taper (in/ft)	Min. Wall Thickness Tip (in)	Min. Wall Thickness Butt (in)	Tip Diameter (in)	Butt Diameter (in)	Strand Pattern	Strand Diameter
63	50	13	0.18	0.18	3	3	12	23.34	1	0.6"
69	55	14	0.18	0.18	3	3	12	24.42	1	0.6"
75	60	15	0.18	0.18	3	3	12	25.50	2	0.6"
80	65	15	0.18	0.18	3	3	12	26.40	2	0.6"
86	70	16	0.18	0.18	3	3	12	27.48	2	0.6"

ROUND POLE DESIGN TABLE											
Pole Length (ft)	Pole Height (ft)	Burial Depth (ft)	Design Option	Total Taper (in/ft) (See Note 2)	Void Taper (in/ft)	Min. Wall Thickness Tip (in)	Min. Wall Thickness Butt (in)	Tip Diameter (in)	Butt Diameter (in)	Strand Pattern	Strand Diameter
63	50	13	Option 1	0.216	0.192	3	3.76	12.15	25.76	3	0.5"
			Option 2	0.180	0.172	3	3.50	12.00	23.34	4	0.5"
69	55	14	Option 1	0.216	0.192	3	3.83	12.15	27.05	3	0.5"
			Option 2	0.180	0.173	3	3.50	12.00	24.42	4	0.5"
75	60	15	Option 1	0.216	0.192	3	3.90	12.15	28.35	3	0.5"
			Option 2	0.180	0.173	3	3.50	12.00	25.50	4	0.5"
80	65	15	Option 1	0.216	0.192	3	3.96	12.15	29.43	3	0.5"
			Option 2	0.180	0.174	3	3.50	12.00	26.40	4	0.5"
86	70	16	Option 1	0.216	0.192	3	4.03	12.15	30.73	3	0.5"
			Option 2	0.180	0.174	3	3.50	13.00	28.48	4	0.5"



PLAN VIEW



CAMERA LOWERING DEVICE

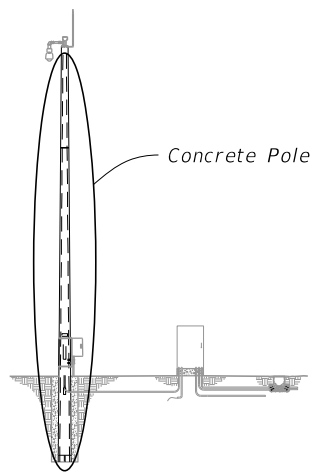
FIXED MOUNTING BRACKET

ELEVATION

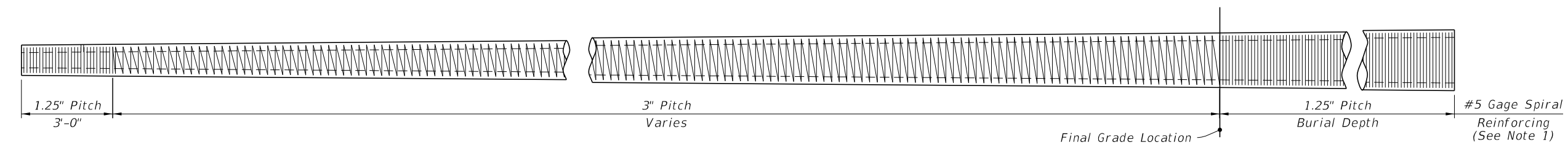
10/6/2022 2:30:37 PM

LAST REVISION 11/01/22	DESCRIPTION:
---------------------------	--------------

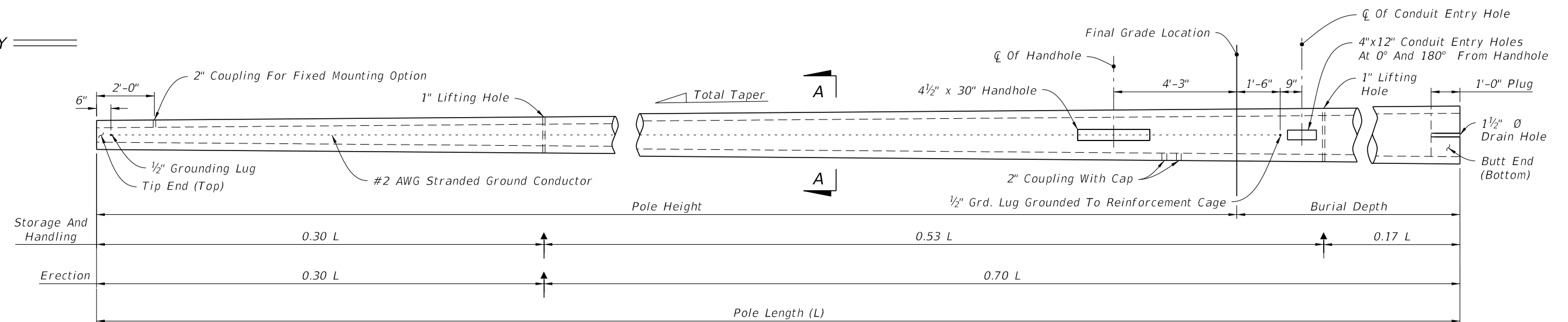




ASSEMBLY



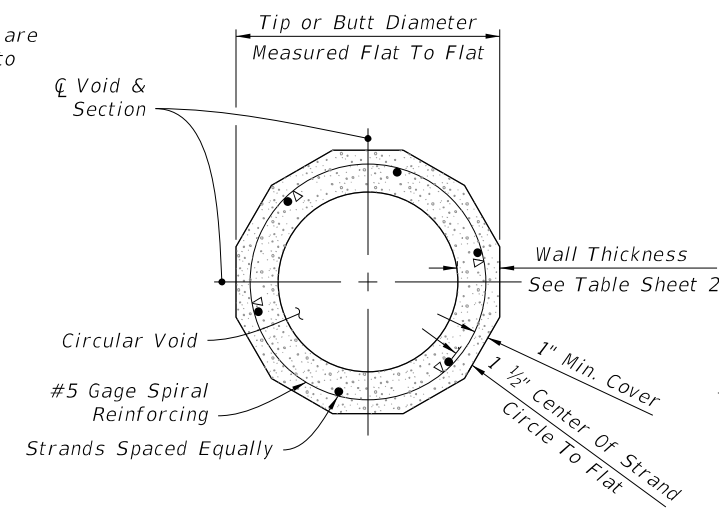
SPIRAL REINFORCING ELEVATION
(Strands, Holes and Fixtures Not Shown)



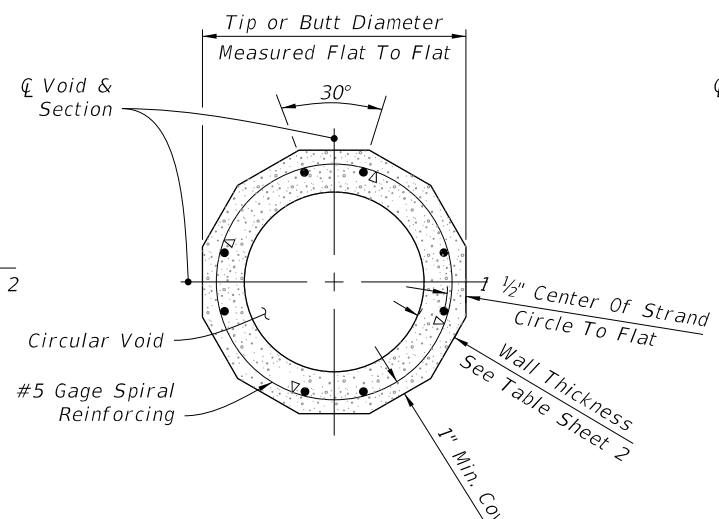
POLE ELEVATION
(Strands And Reinforcing Not Shown)

- NOTES:**
- Spiral wire may be wrapped in two directions given that an equivalent area of spiral wire is provided to that shown in this Index and the cover requirements are met.
 - Work these details with Data Tables on Sheet 2.
 - Strands and rebar shown are continuous from Tip End to Butt End.

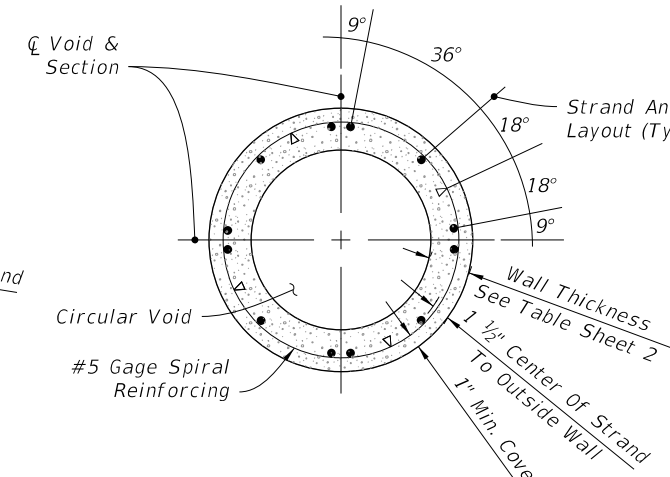
- LEGEND:**
- Prestressed Strand
 - △ (4) #5 Rebar (Shown) or (6) #4 Rebar
 - ↑ Lift Points



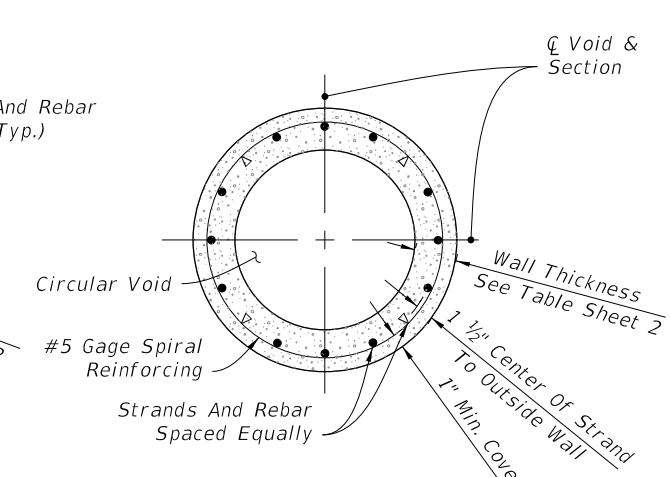
SECTION A-A
STRAND PATTERN 1



SECTION A-A
STRAND PATTERN 2



SECTION A-A
STRAND PATTERN 3
(Option 1)



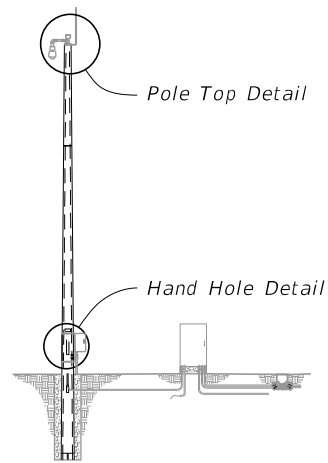
SECTION A-A
STRAND PATTERN 4
(Option 2)

12 - SIDED CONCRETE POLE

ROUND CONCRETE POLE

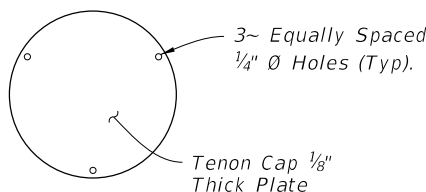
10/16/2022 2:30:36 PM

LAST REVISION 11/01/21	DESCRIPTION:		FY 2023-24 STANDARD PLANS	CONCRETE CCTV POLE	INDEX 641-020	SHEET 3 of 5
REVISION						

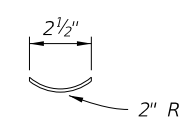


ASSEMBLY

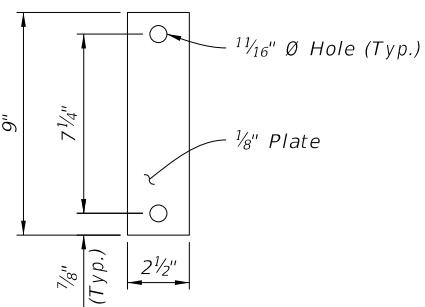
- NOTES:**
1. Install all handhole and opening covers prior to shipping.
 2. Install 1/2" Ø x 5" long stud with hex nut in insert before shipment.
 3. As an alternate, embed 4-1/2" Ø x 18" stainless steel threaded rods with a threaded nut. At top of rod, thread a coupling nut to attach plate w/ 4-1/2" x 1-3/4" stainless steel bolts.
 4. Handhole frame may be Cast Aluminum 356.2.
 5. Work these details with Data Tables on Sheet 2.



TENON CAP

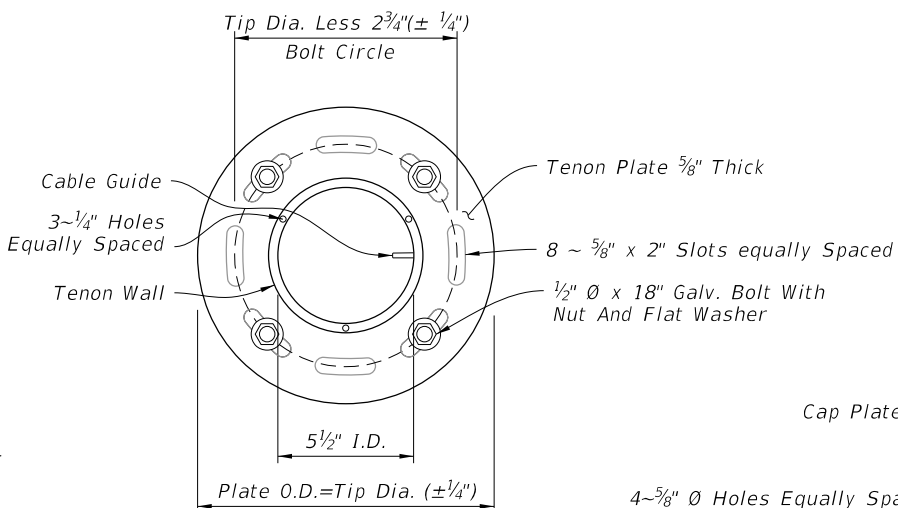


PLAN VIEW

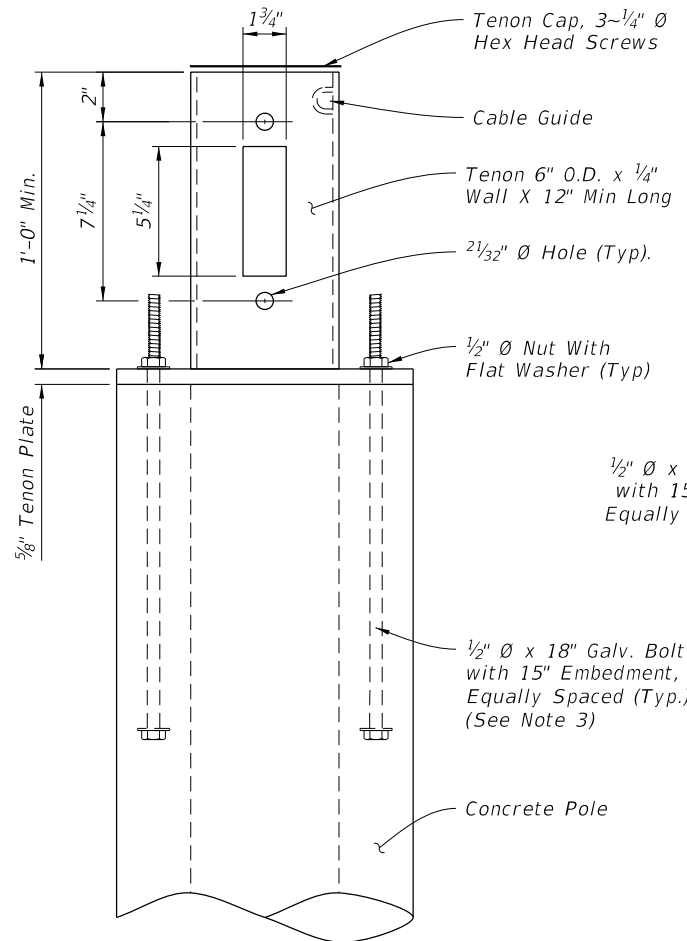


ELEVATION

TENON COVER

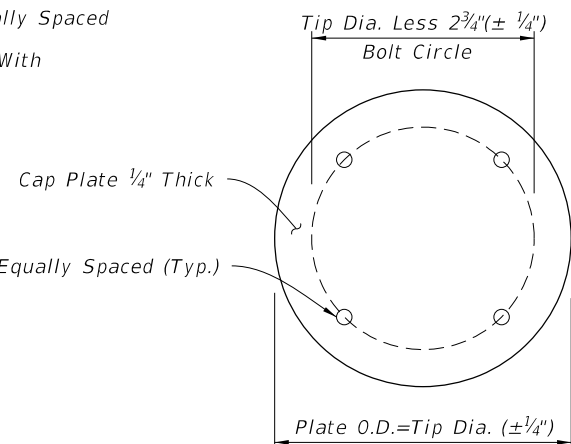


PLAN VIEW

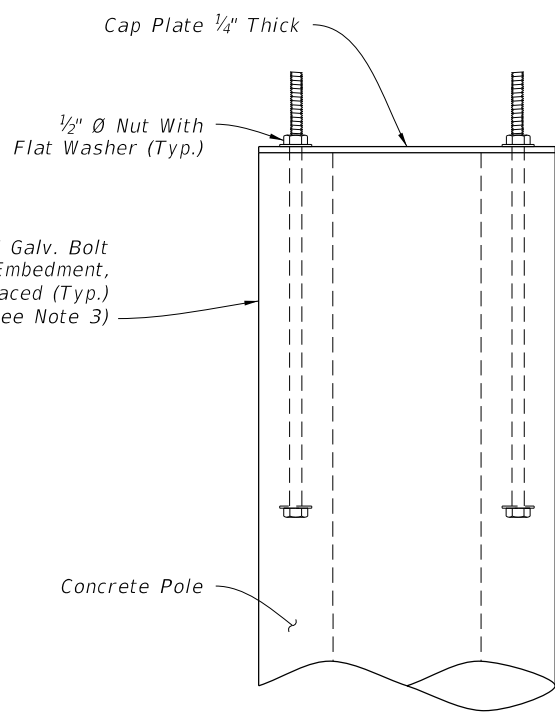


ELEVATION

LOWERING DEVICE TENON

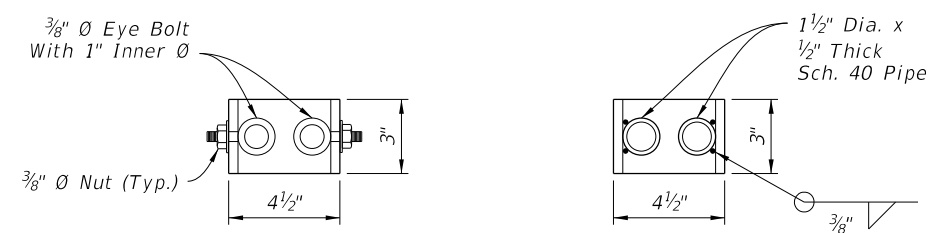


PLAN VIEW



ELEVATION

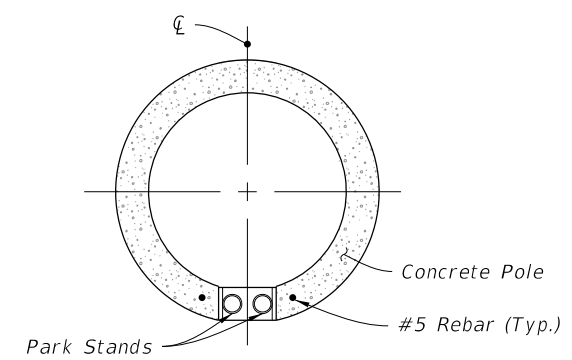
CAP PLATE DETAIL (Without Lowering Device)



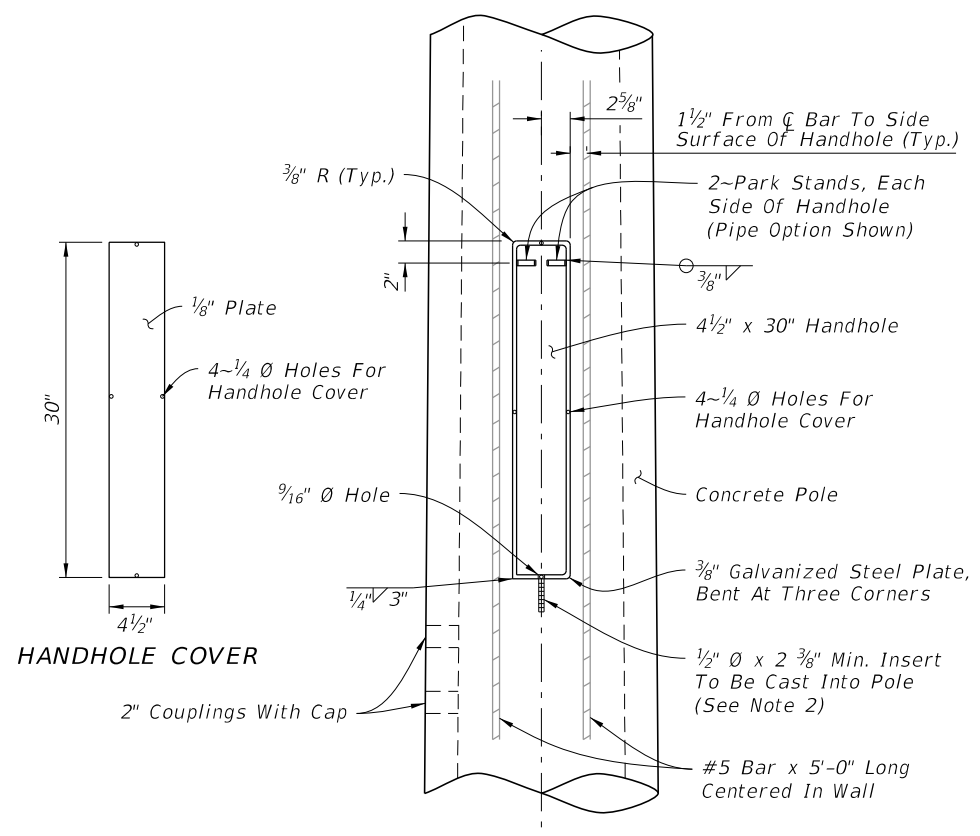
EYE BOLT OPTION

PIPE OPTION

PARK STAND DETAIL



PLAN VIEW

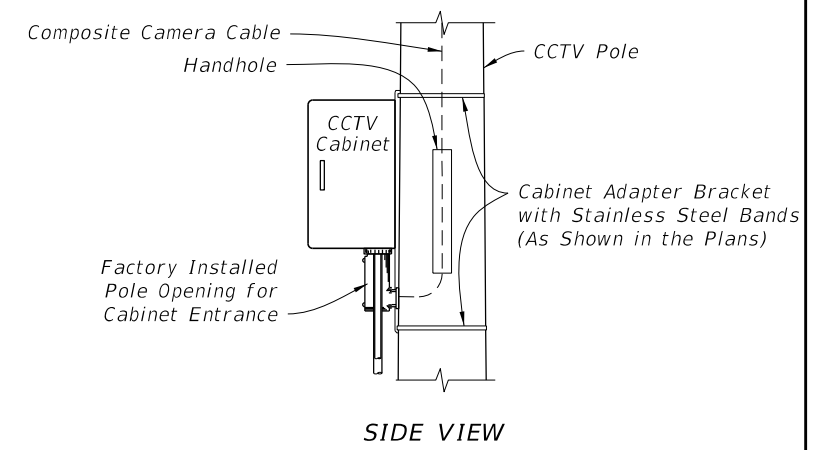
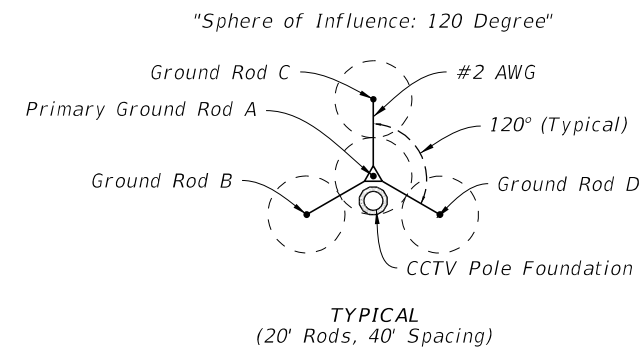
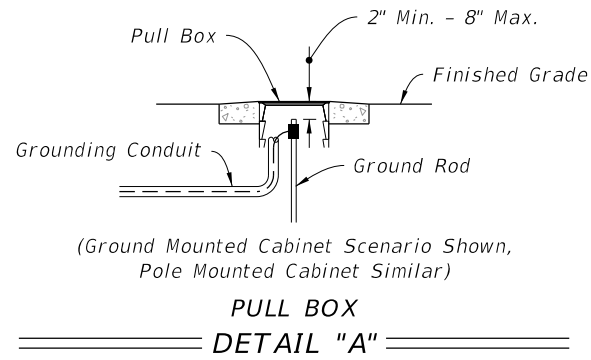
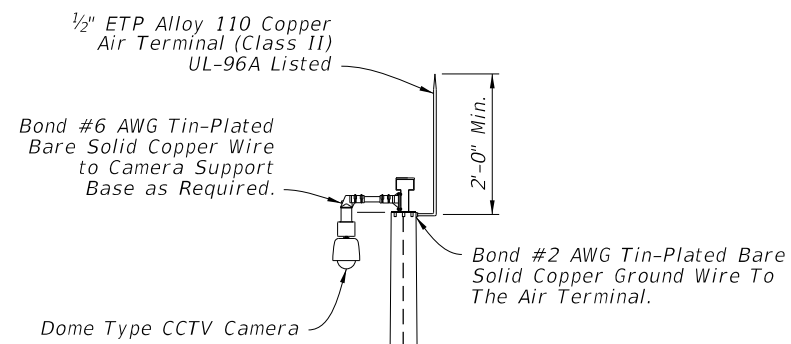


ELEVATION

HANDHOLE DETAIL

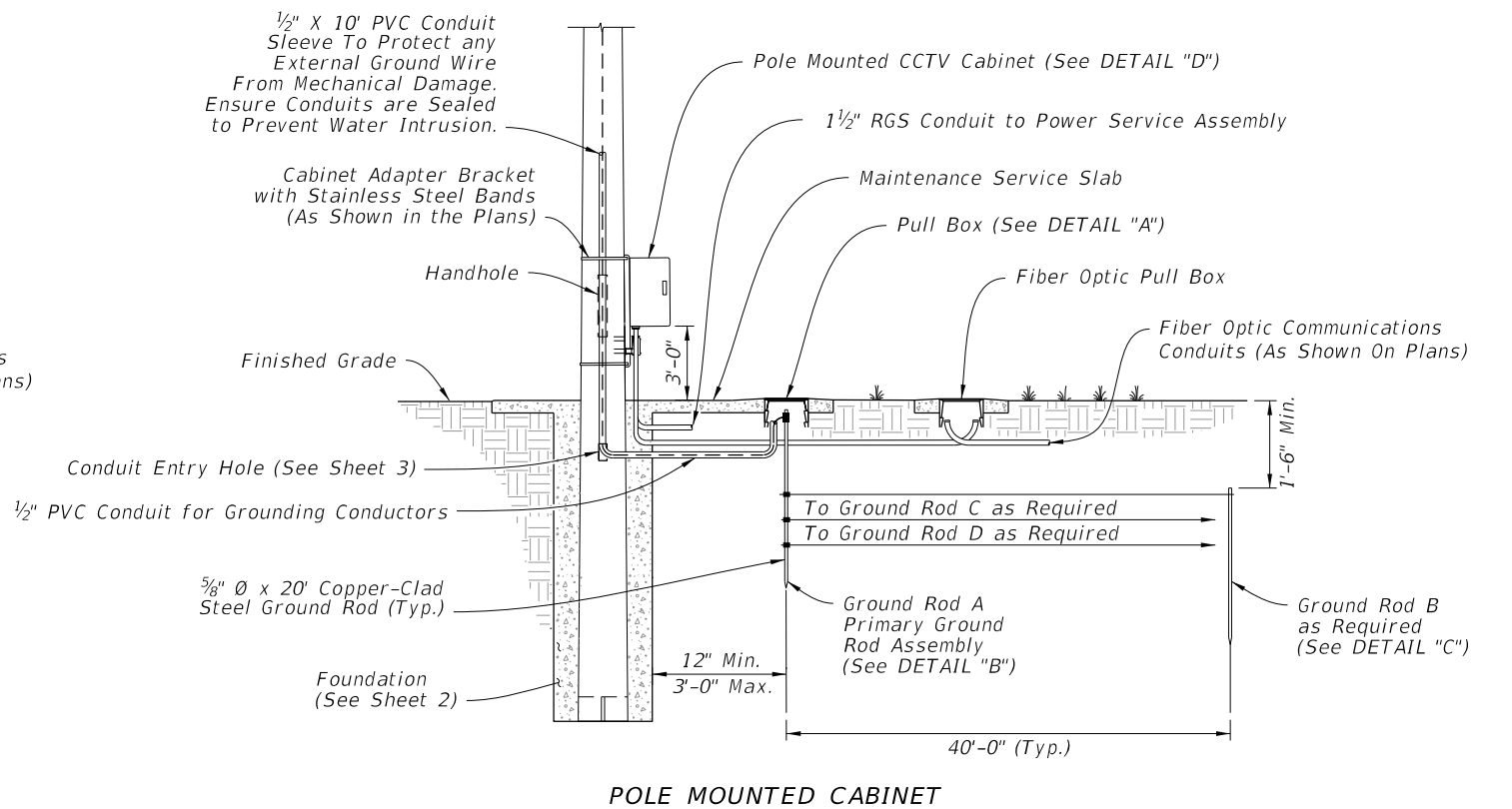
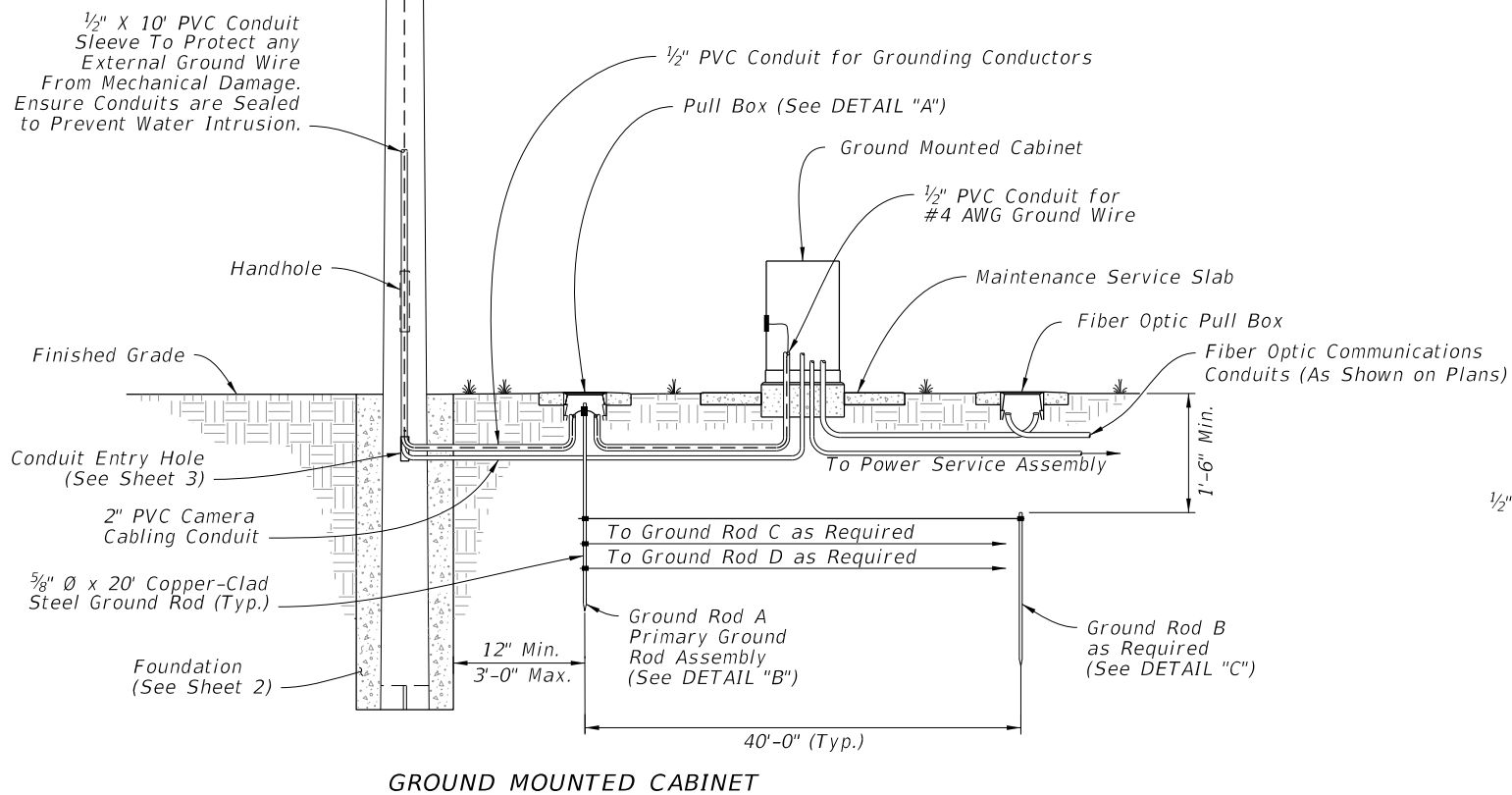
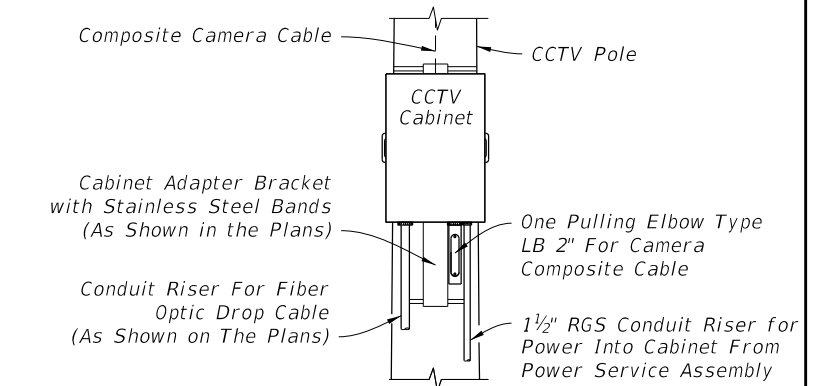
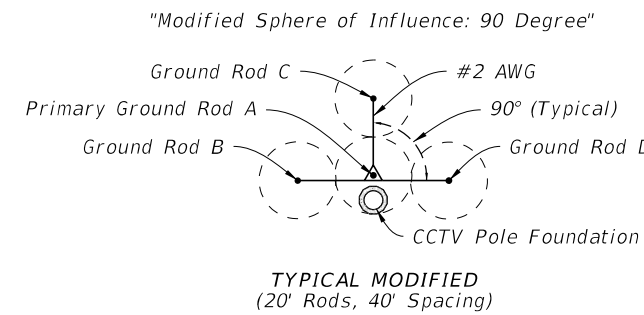
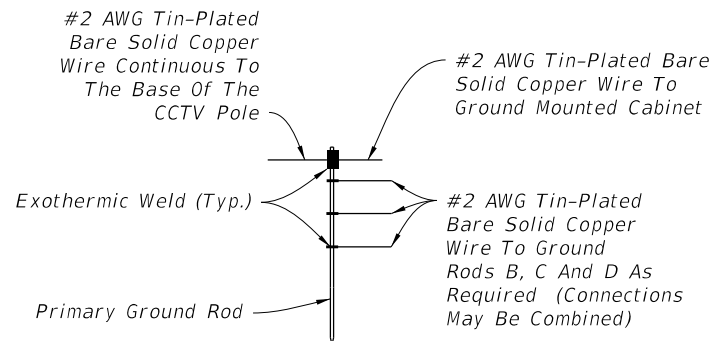
10/16/2022 2:30:39 PM

LAST REVISION 11/01/21	REVISION	DESCRIPTION:		FY 2023-24 STANDARD PLANS	CONCRETE CCTV POLE	INDEX 641-020	SHEET 4 of 5
---------------------------	----------	--------------	--	--------------------------------------	---------------------------	------------------	-----------------



CCTV Pole (See Sheet 3)

#2 Wire may be Routed Internally or Externally In Accordance With The Plans



CONCRETE CCTV POLE GROUNDING

12/14/2022 10:36:23 AM

LAST REVISION 11/01/22	DESCRIPTION:		FY 2023-24 STANDARD PLANS	CONCRETE CCTV POLE	INDEX	SHEET
					641-020	5 of 5