

GENERAL NOTES:

1. Work these Index Sheets with the Strain Pole Schedule in the Plans. See Index 634-001 for corresponding signal cable and span wire installation details.

2. Shop Drawings:

This Index is considered fully detailed and no shop drawing are necessary. Submit shop drawings only for minor modifications not detailed in the Plans.

3. Materials:

- A. Concrete: Class V with 4 ksi minimum strength at transfer or Class VI with 6.5 ksi minimum strength at transfer
- B. Prestress Strands & Spiral Reinforcing: Specification 641
- C. Hand and coupler cover plates: Non-corrosive material
- D. Screws: Round headed, chrome plated

4. Fabrication:

- A. Pole Total Taper shown is for pole width, strands, reinforcing and void (0.081 in/ft per face).
- B. Concrete Cover: 1" minimum.
- C. Spiral Reinforcing: Place as shown, and add one turn for splices and two turns at both the tip and butt ends of the pole.
- D. The design dimensions for Front Face (FF) and Back Face (BF) of the poles may vary transversely from the section shown by $\pm 1/4"$ to assist with removal from forms. Balance addition and subtraction of the face widths to maintain section areas shown.
- E. Tie ground wires to the interior of reinforcing steel to prevent displacement during concreting operations.
- F. Cut the tip end of the prestressed strand either first or simultaneously with the butt end.
- G. Provide cover plates and screws for hand hole and couplers. Attach cover plates to the poles using lead anchors or embedded threaded inserts.
- H. Provide Aluminum Identification Tag on the pole with the following information:
 - a. Financial Project ID.
 - b. Pole Manufacturer
 - c. Standard Pole Type Number
 - d. Pole Length (L)

5. Support Points:

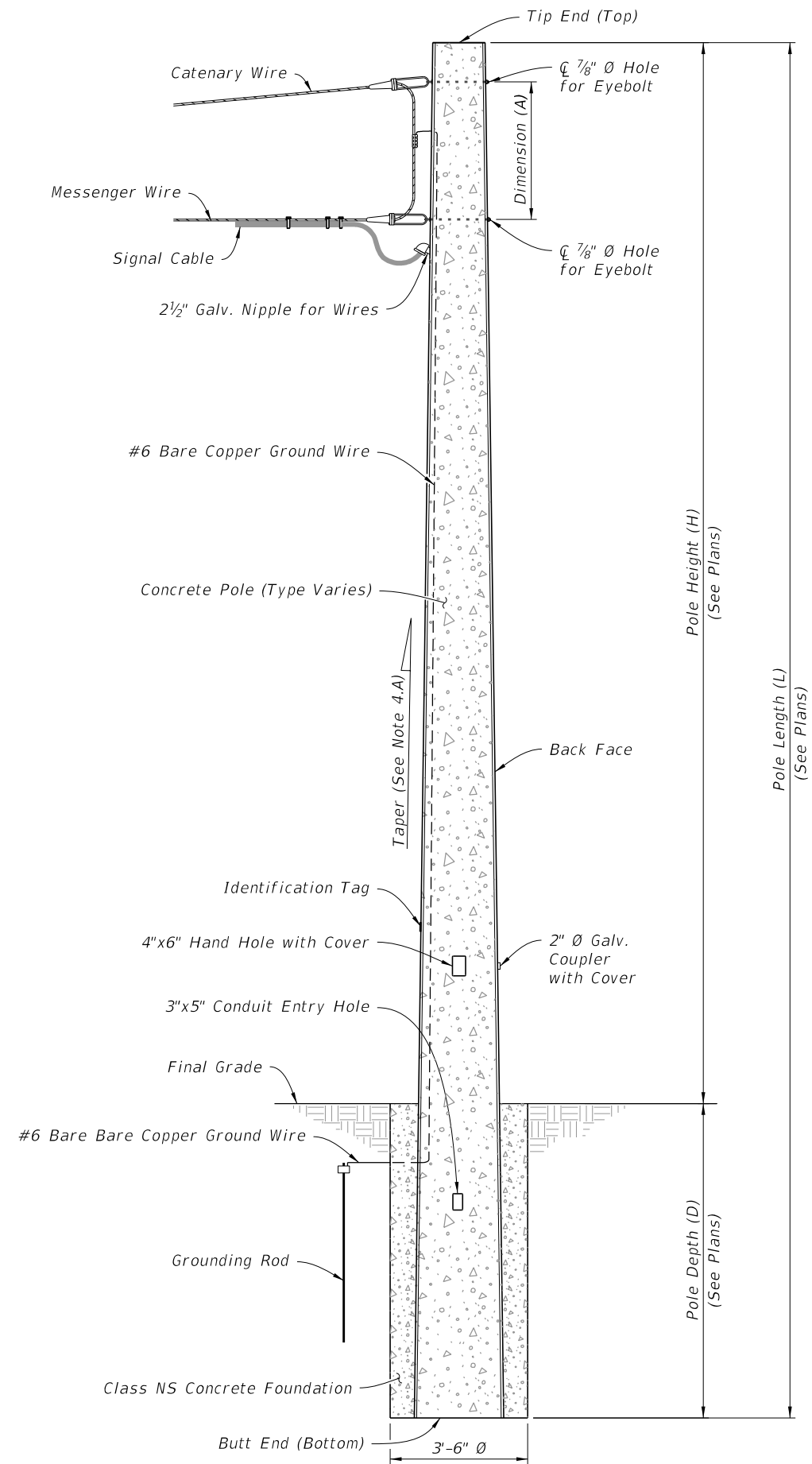
Support Points shown may vary within a tolerance of $\pm 3"$.

Horizontal Pole Support Points shown are for strand release, storage, handling and transport of the horizontal pole. Keep Back Face oriented downward until final erection.

6. Two point attachment: Provide an eye bolt for the messenger wire.

7. Tether Wire: When required, field-drill the eyebolt hole prior to installation.

TABLE OF CONTENTS:	
Sheet	Description
1	General Notes and Contents
2	Service Pole - Type P-IIA (12 ft.)
3	Service Pole - Type P-IIB (36 Ft.)
4	Pedestal Pole - Type P-IIC (12 Ft.)
5	Pedestal Pole - Type P-IID (16 Ft.)
6	Pole - Type P-III
7	Strain Pole - Type P-IV
8	Strain Pole - Type P-V
9	Strain Pole - Type P-VI
10	Strain Pole - Type P-VII
11	Strain Pole - Type P-VIII



CONCRETE POLE ASSEMBLY
(Type P-VII Shown, Others Similar)

10/6/2022 2:30:10 PM

LAST REVISION	DESCRIPTION:
11/01/22	

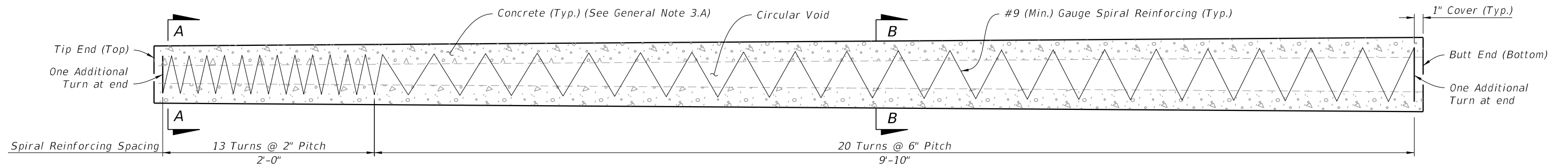


FY 2023-24
STANDARD PLANS

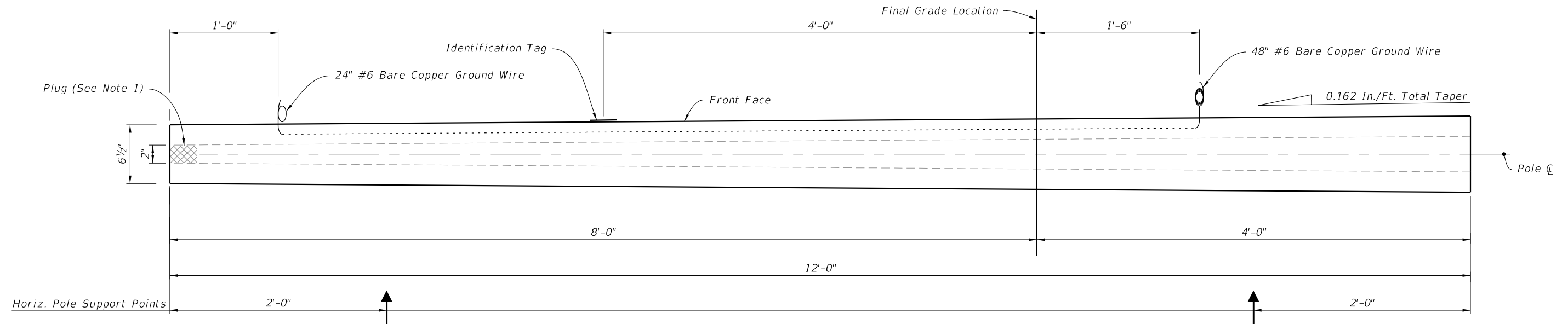
CONCRETE POLES

INDEX
641-010

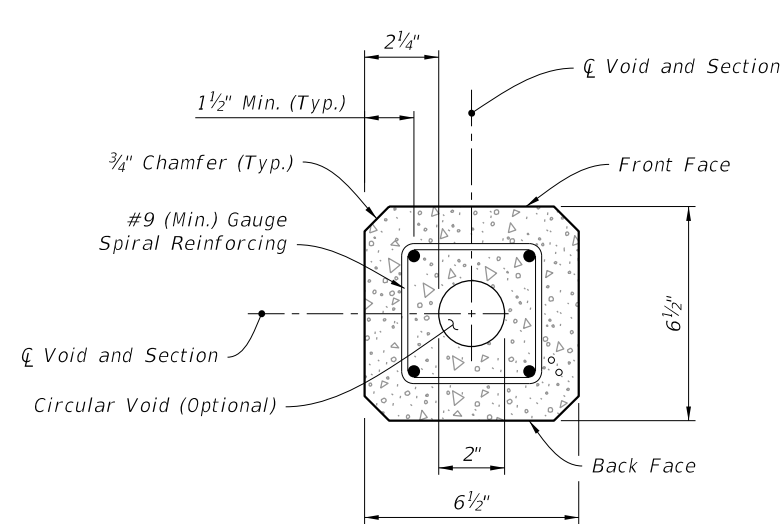
SHEET
1 of 11



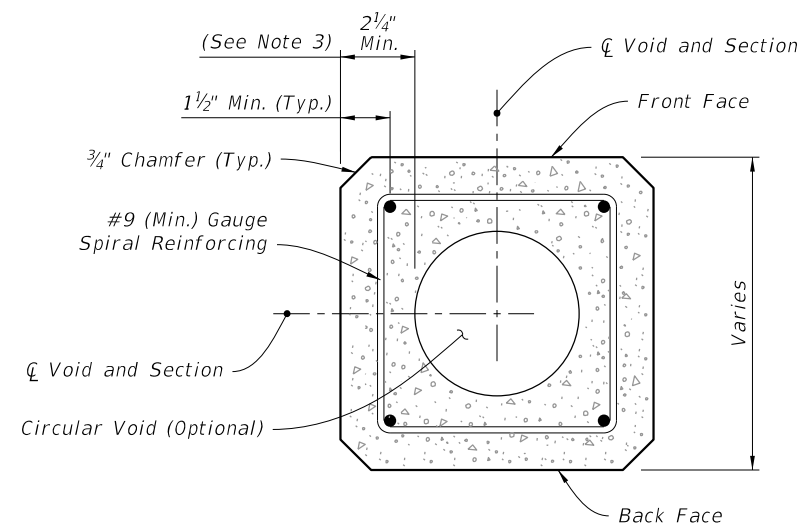
SPIRAL REINFORCING ELEVATION
(Strands and Fixtures Not Shown)



POLE ELEVATION
(Strands and Reinforcing Not Shown)



SECTION A-A - (Tip End)



SECTION B-B (Typical Square Section)

NOTES:

1. Provide a minimum 3" concrete plug at the Tip End.
2. For final erection, tilt pole upright with single point attachment located a distance of 4 feet from the Tip End.
3. Dimension may vary from 2 1/4" to 3 1/2" to accommodate smaller radius of optional stepped (PVC) void. The minimum void diameter is 2".
4. Strands shown are continuous from Tip End to Butt End.
5. Strands are not shown in the elevation views for clarity.

LEGEND:

- Prestressed Strand:
0.5 in. ~ 24 kips before transfer or
0.375 in. ~ 14 kips before transfer (4 strands total)

SERVICE POLE - TYPE P-IIA (12 Ft.)

10/6/2022 2:30:11 PM

LAST REVISION 11/01/22	DESCRIPTION:
---------------------------	--------------

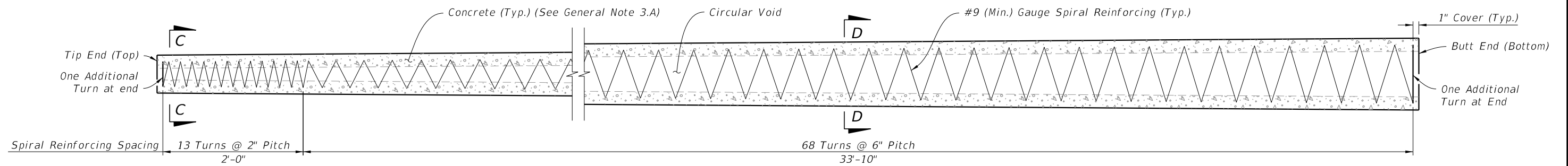


FY 2023-24
STANDARD PLANS

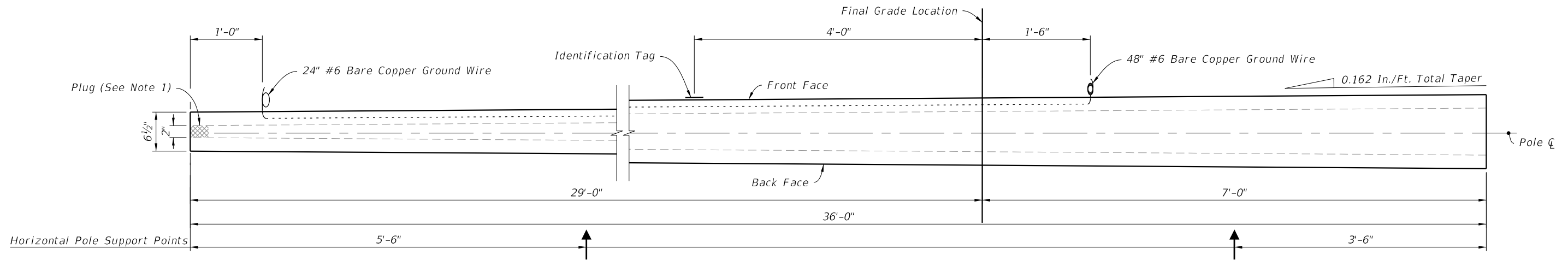
CONCRETE POLES

INDEX
641-010

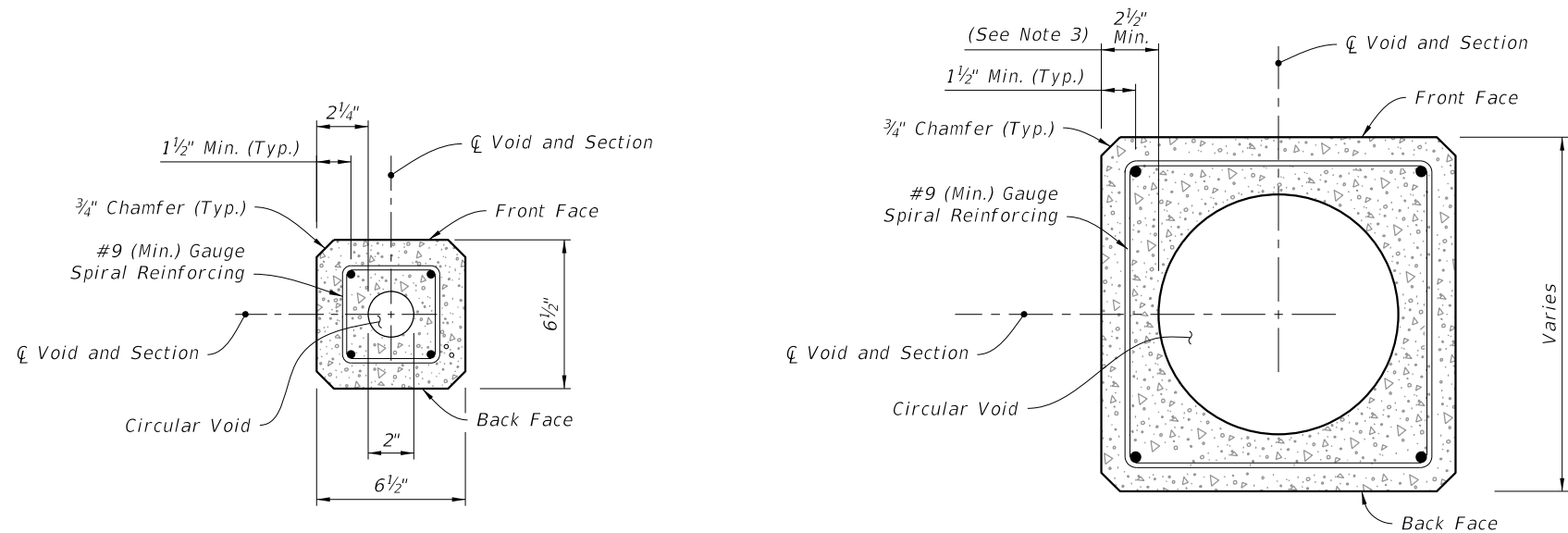
SHEET
2 of 11



SPIRAL REINFORCING ELEVATION
(Strands and Fixtures Not Shown)



POLE ELEVATION
(Strands and Reinforcing Not Shown)



SECTION C-C (Tip End)

SECTION D-D (Typical Square Section)

NOTES:


1. Provide a minimum 3" concrete plug at the Tip End.
2. For final erection, tilt pole upright with single point attachment located a distance of 10 feet from the Tip End.
3. Dimension may vary from 2 1/4" to 3 1/2" to accommodate smaller radius of optional stepped (PVC) void. The minimum void diameter is 2".
4. Strands shown are continuous from Tip End to Butt End.
5. Strands are not shown in the elevation views for clarity.

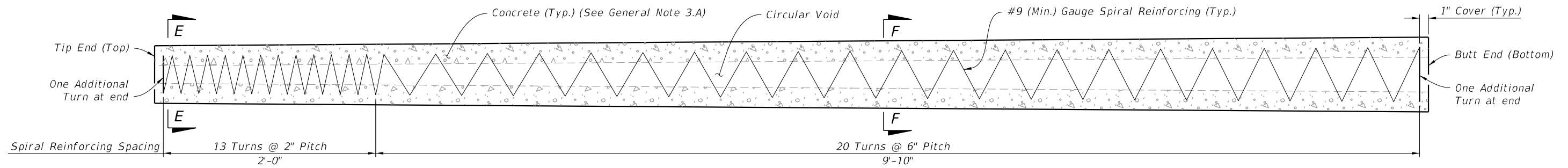
LEGEND:

- Prestressed Strand:
0.5 in. ~ 24 kips before transfer or
0.375 in. ~ 14 kips before transfer
(4 strands total)

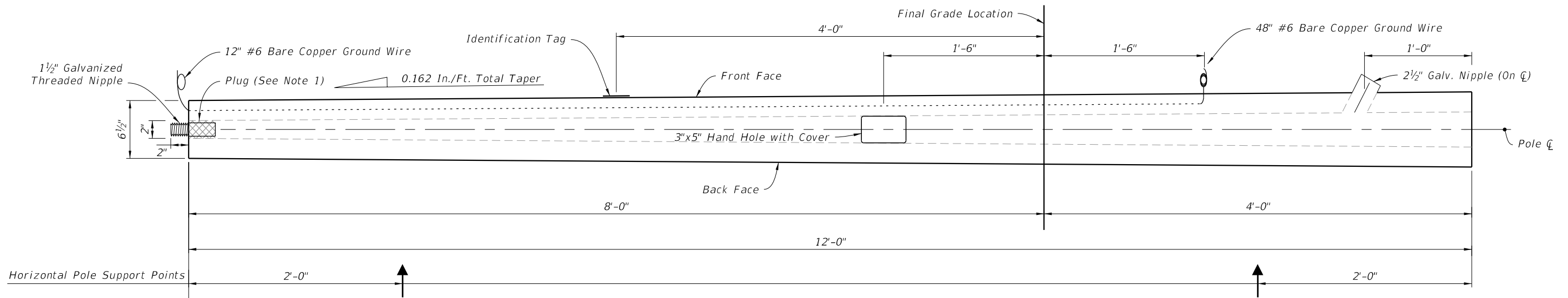
SERVICE POLE TYPE P-IIB (36 Ft.)

10/6/2022 2:30:12 PM

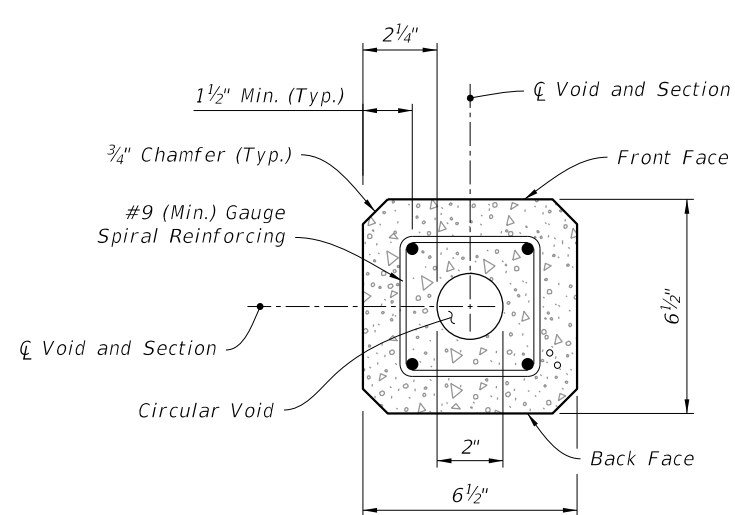
LAST REVISION 11/01/22	REVISION	DESCRIPTION:		FY 2023-24 STANDARD PLANS	CONCRETE POLES	INDEX 641-010	SHEET 3 of 11
---------------------------	----------	--------------	---	------------------------------	----------------	------------------	------------------



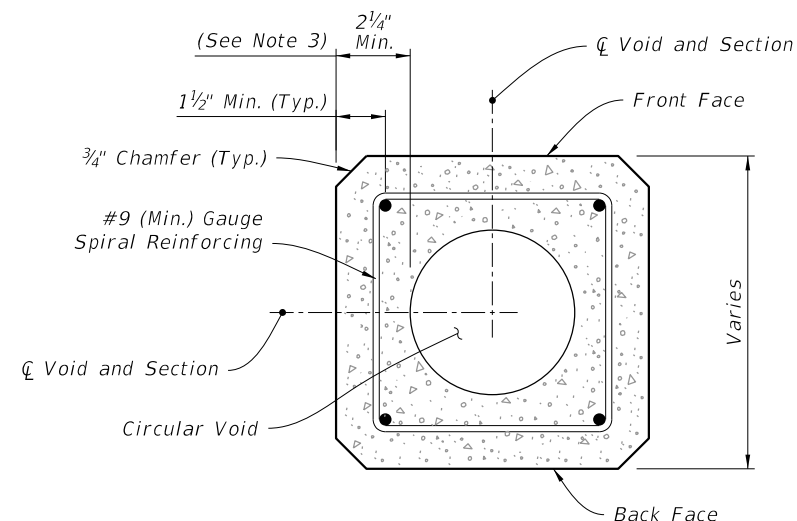
SPIRAL REINFORCING ELEVATION
(Strands, Holes, and Fixtures Not Shown)



POLE ELEVATION
(Strands and Reinforcing Not Shown)



SECTION E-E (Tip End)



SECTION F-F (Typical Square Section)

NOTES:

1. Provide a minimum 3" concrete plug at the Tip End.
2. For final erection, tilt pole upright with single point attachment located a distance of 4 feet from the Tip End.
3. Dimension may vary from 2 1/4" to 3 1/2" to accommodate smaller radius of optional stepped (PVC) void. The minimum void diameter is 2".
4. Strands shown are continuous from Tip End to Butt End.
5. Strands are not shown in the elevation views for clarity.

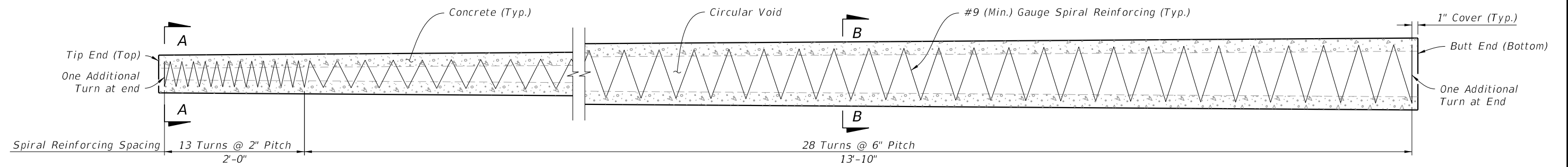
LEGEND:

- Prestressed Strand:
0.5 in. ~ 24 kips before transfer or
0.375 in. ~ 14 kips before transfer
(4 strands total)

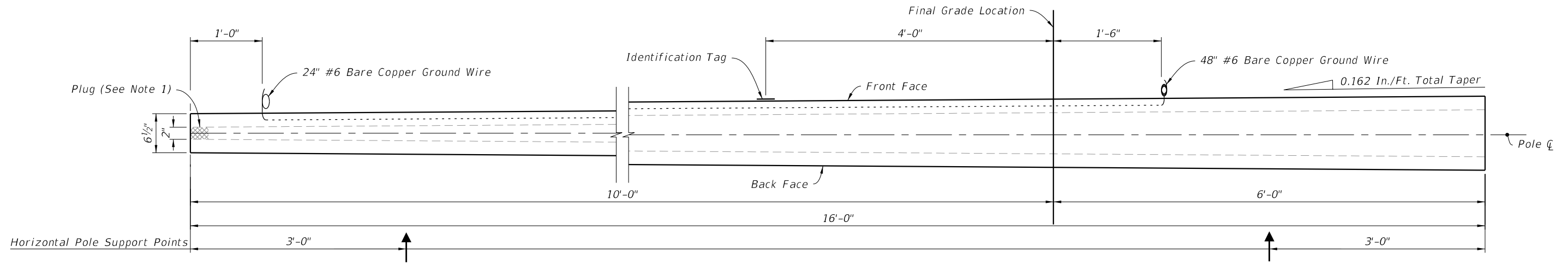
PEDESTAL - TYPE P-IIC (12 Ft.)

10/6/2022 2:30:13 PM

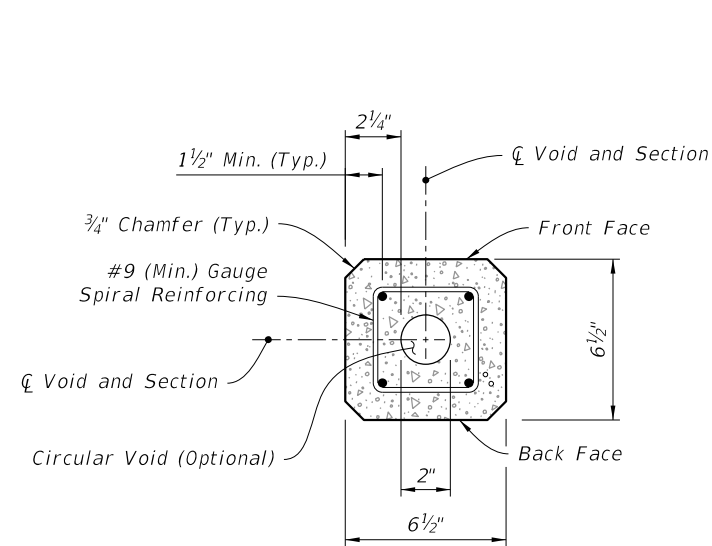
LAST REVISION	11/01/22	DESCRIPTION:
---------------	----------	--------------



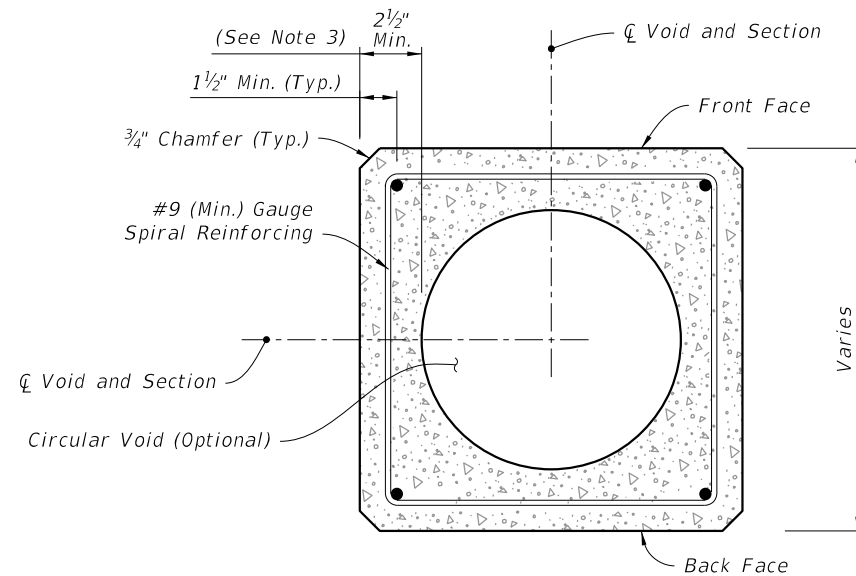
SPIRAL REINFORCING ELEVATION
(Strands and Fixtures Not Shown)



POLE ELEVATION
(Strands and Reinforcing Not Shown)



SECTION A-A (Tip End)



SECTION B-B (Typical Square Section)

NOTES:

1. Provide a minimum 3" concrete plug at the Tip End.
2. For final erection, tilt pole upright with single point attachment located a distance of 5 feet from the Tip End.
3. Dimension may vary from 2 1/4" to 3 1/2" to accommodate smaller radius of optional stepped (PVC) void. The minimum void diameter is 2".
4. Strands shown are continuous from Tip End to Butt End.
5. Strands are not shown in the elevation views for clarity.

LEGEND:

- Prestressed Strand:
0.5 in. ~ 24 kips before transfer or
0.375 in. ~ 14 kips before transfer
(4 strands total)

SERVICE POLE TYPE P-IID (16 Ft.)

10/6/2022 2:30:14 PM

LAST REVISION 11/01/22	DESCRIPTION:
---------------------------	--------------

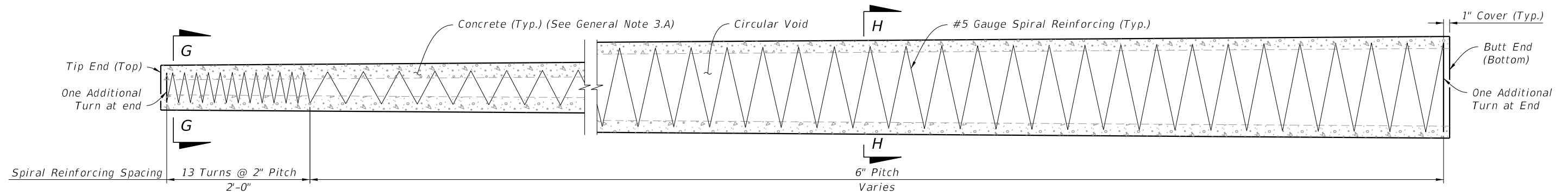


FY 2023-24
STANDARD PLANS

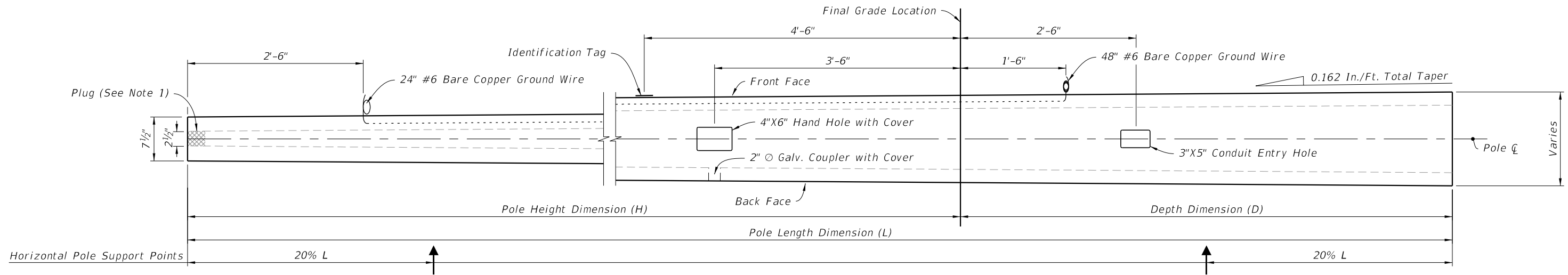
CONCRETE POLES

INDEX
641-010

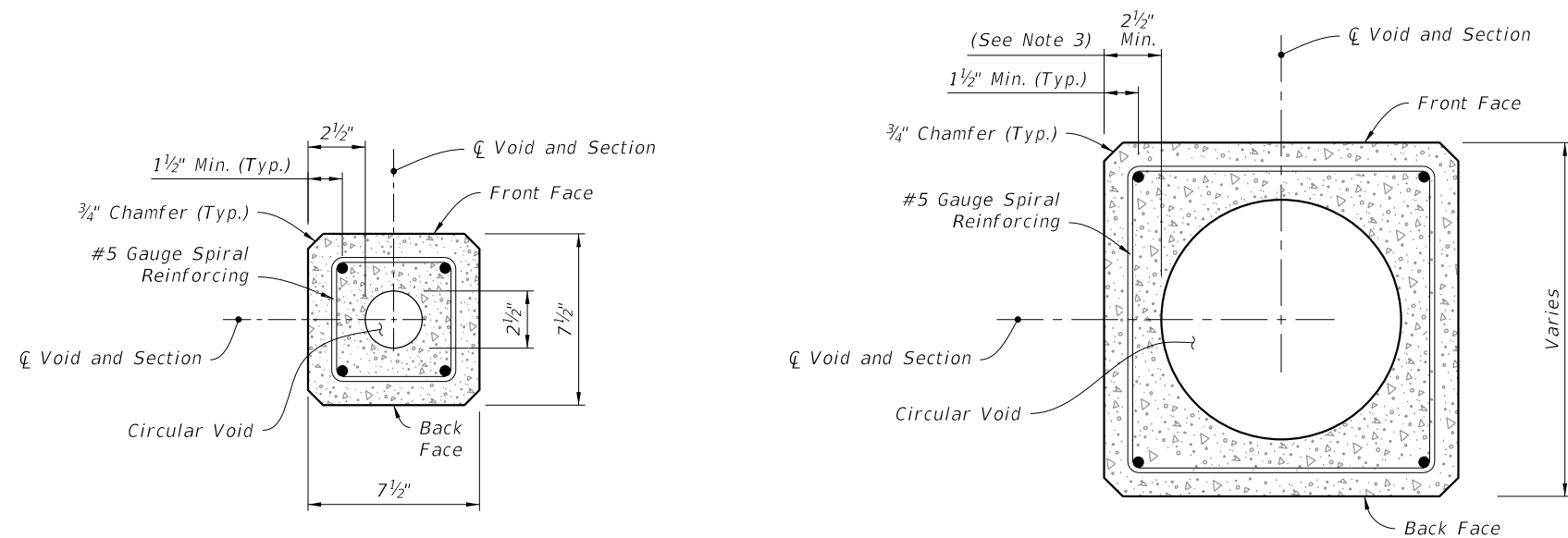
SHEET
5 of 11



SPIRAL REINFORCING ELEVATION
(Strands, Holes and Fixtures Not Shown)



POLE ELEVATION
(Strands and Reinforcing Not Shown)



SECTION G-G (Tip End)

SECTION H-H (Typical Square Section)

NOTES:

1. Provide a minimum 3" concrete plug at the Tip End.
2. For final erection, tilt pole upright with single point attachment located a distance of 33% L from the Tip End.
3. Dimension may vary from 2 1/2" to 3 3/4" to accommodate smaller radius of optional stepped (PVC) void. The minimum void diameter is 2 1/2".
4. Strands shown are continuous from Tip End to Butt End.
5. Strands are not shown in the elevation views for clarity.

LEGEND:

- Prestressed Strand:
0.5 in. ~ 31 kips before transfer (4 strands total)

10/6/2022 2:30:15 PM

LAST REVISION 11/01/22	DESCRIPTION:
---------------------------	--------------

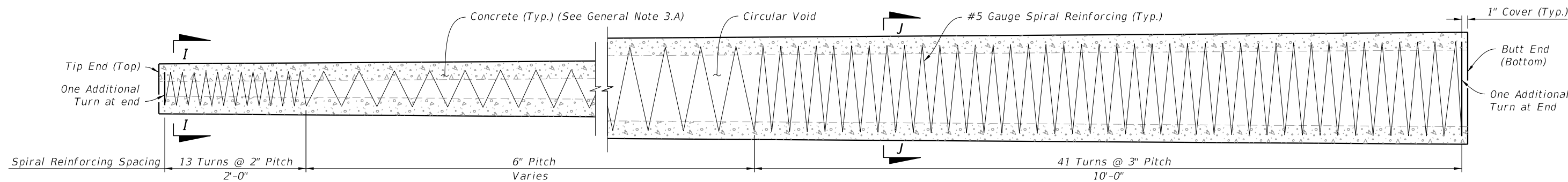


FY 2023-24
STANDARD PLANS

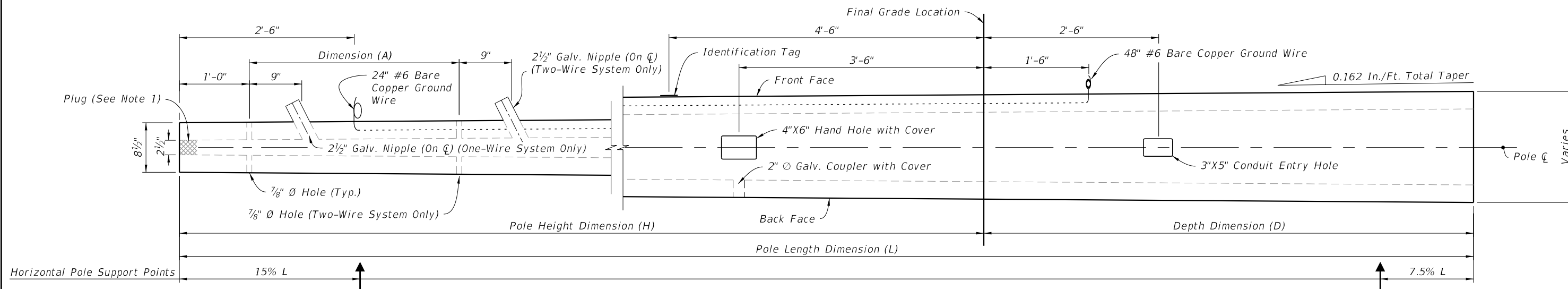
CONCRETE POLES

POLE TYPE P-III

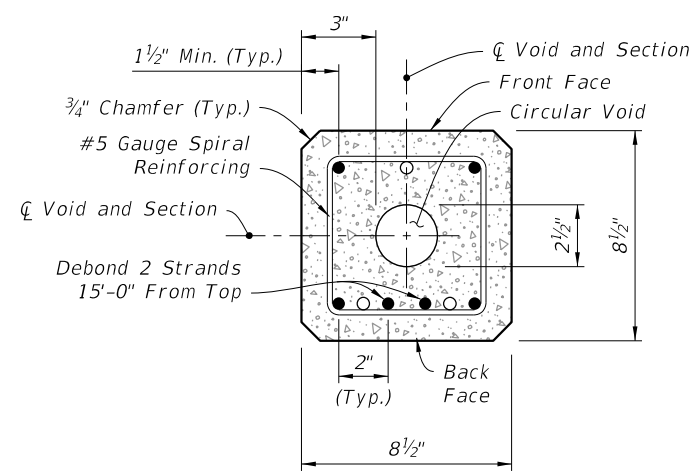
INDEX 641-010	SHEET 6 of 11
------------------	------------------



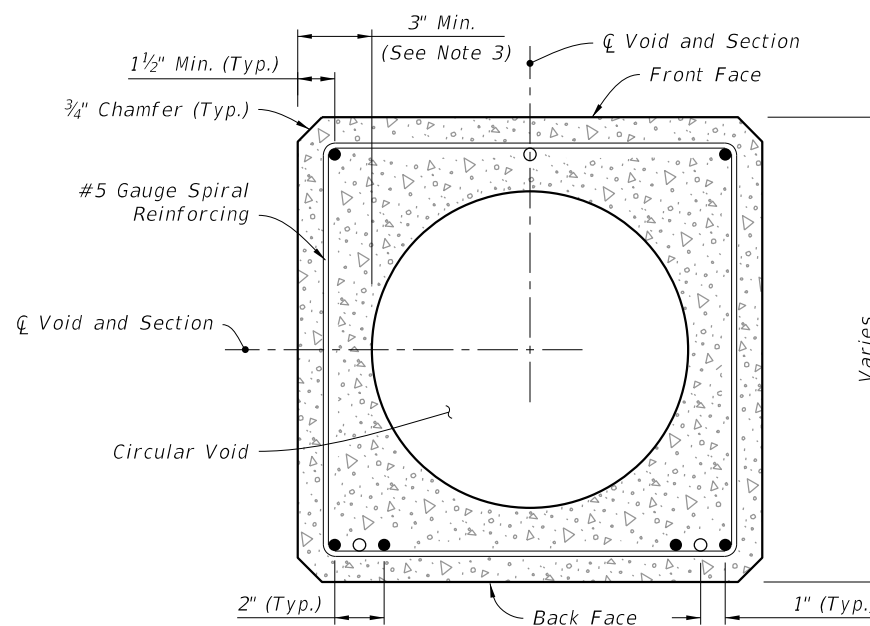
SPIRAL REINFORCING ELEVATION
(Strands, Holes and Fixtures Not Shown)



POLE ELEVATION
(Strands and Reinforcing Not Shown)



SECTION I-I (Tip End)



SECTION J-J (Typical Square Section)

NOTES:

1. Provide a minimum 3" concrete plug at the Tip End.
2. For final erection, tilt pole upright with single point attachment located a distance of 20% L from the Tip End.
3. Dimension may vary from 3" to 4 1/4" to accommodate smaller radius of optional stepped (PVC) void. The minimum void diameter is 2 1/2".
4. Strands shown are continuous from Tip End to Butt End.
5. Strands are not shown in the elevation views for clarity.

LEGEND:

- Prestressed Strand:
0.5 in. ~ 31 kips before transfer (6 strands total)
- Dormant Strand:
0.5 in. (3 strands total) One 24" splice allowed per strand

STRAIN POLE TYPE P-IV

10/6/2022 2:30:16 PM

LAST REVISION	DESCRIPTION:
11/01/22	

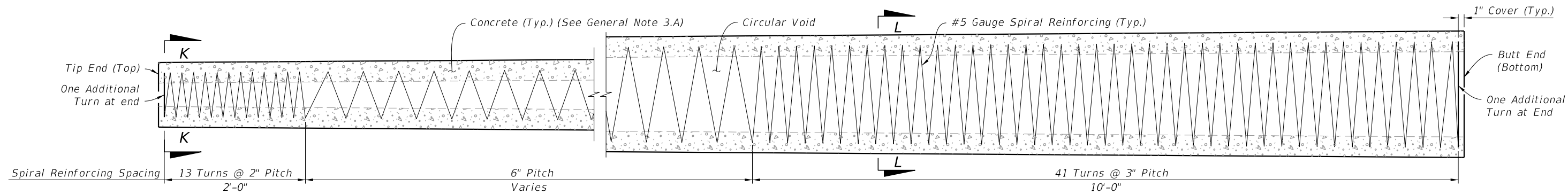


FY 2023-24
STANDARD PLANS

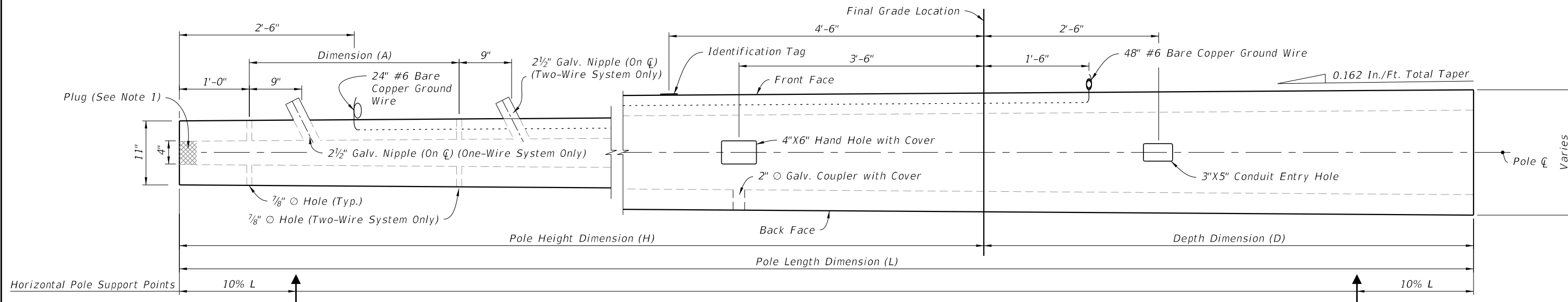
CONCRETE POLES

INDEX
641-010

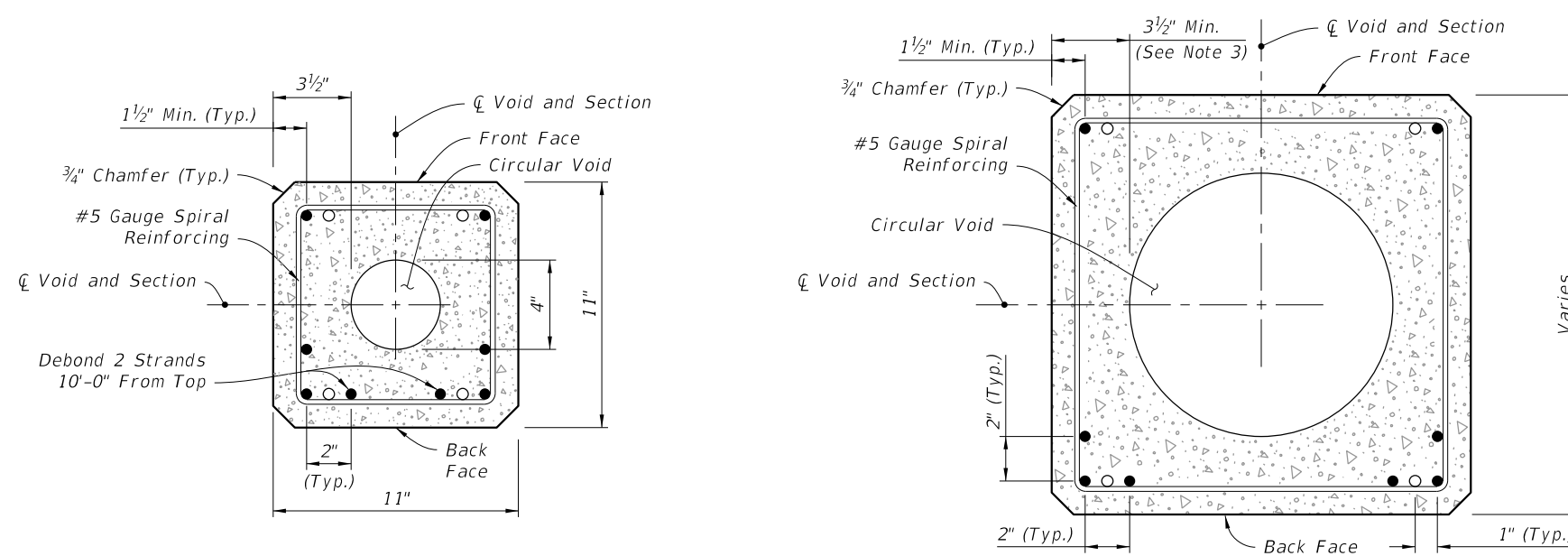
SHEET
7 of 11



SPIRAL REINFORCING ELEVATION
(Strands, Holes, and Fixtures Not Shown)



POLE ELEVATION
(Strands and Reinforcing Not Shown)



SECTION K-K (Tip End)

SECTION L-L (Typical Square Section)


NOTES:

1. Provide a minimum 3" concrete plug at the Tip End.
2. For final erection, tilt pole upright with single point attachment located a distance of 12.5% L from the Tip End.
3. Dimension may vary from 3 1/2" to 4 3/4" to accommodate smaller radius of optional stepped (PVC) void. The minimum void diameter is 4".
4. Strands shown are continuous from Tip End to Butt End.
5. Strands are not shown in the elevation views for clarity.

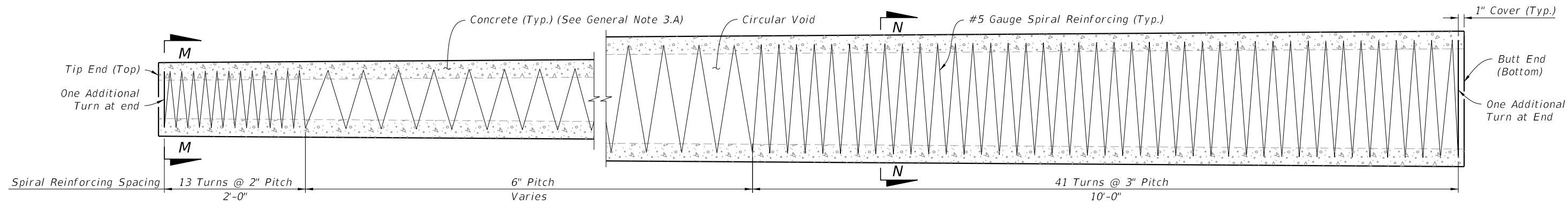
LEGEND:

- Prestressed Strand:
0.5 in. ~ 31 kips before transfer (8 strands total)
- Dormant Strand:
0.5 in. (4 strands total) One 24" splice allowed per strand

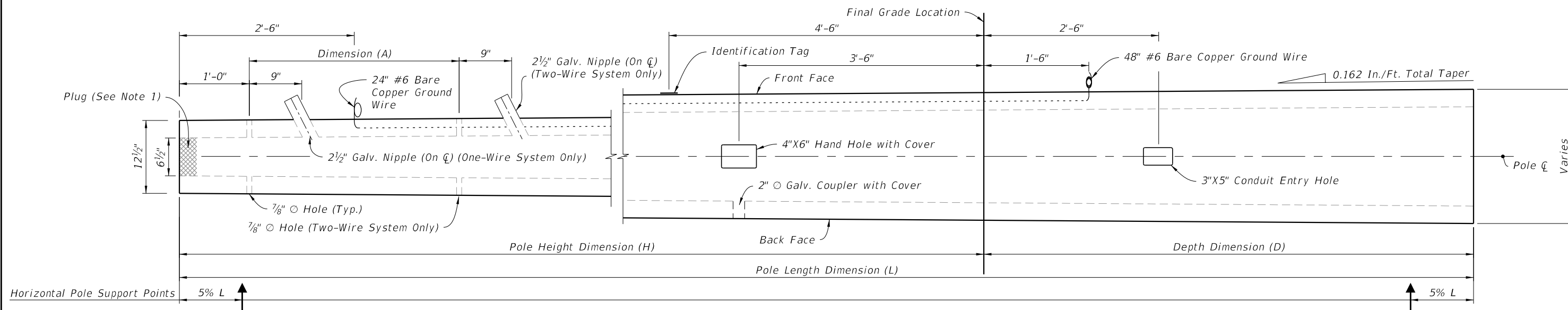
10/6/2022 2:30:17 PM

LAST REVISION 11/01/22	REVISION	DESCRIPTION:	 FY 2023-24 STANDARD PLANS	CONCRETE POLES	INDEX 641-010	SHEET 8 of 11
---------------------------	----------	--------------	---	----------------	------------------	------------------

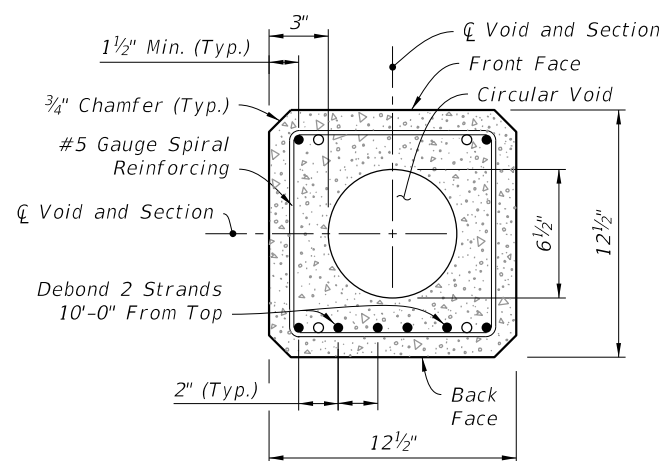
STRAIN POLE TYPE P-V



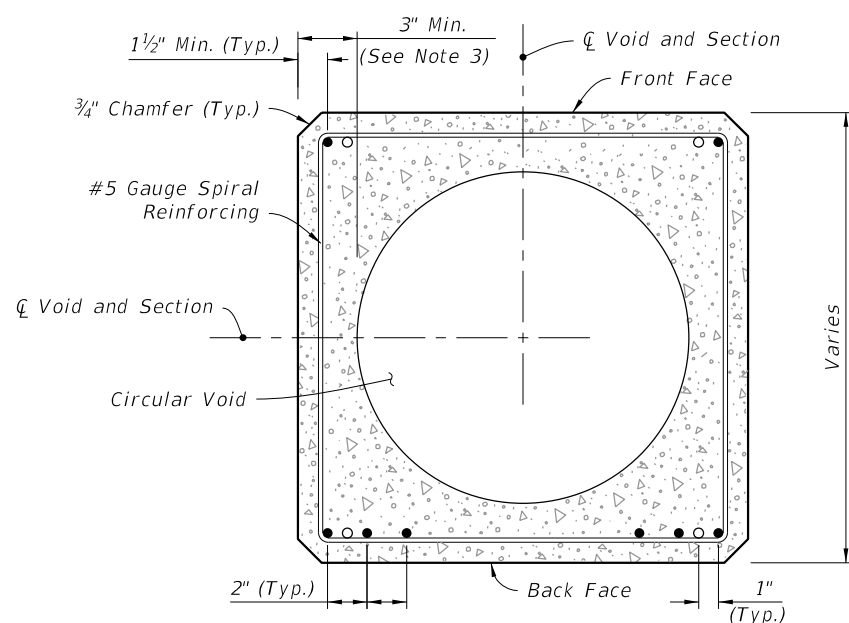
SPIRAL REINFORCING ELEVATION
(Strands, Holes, and Fixtures Not Shown)



POLE ELEVATION
(Strands And Reinforcing Not Shown)



SECTION M-M (Tip End)



SECTION N-N (Typical Square Section)

NOTES:

1. Provide a minimum 3" concrete plug at the Tip End.
2. For final erection, tilt pole upright with single point attachment located a distance of 10% L from the Tip End.
3. Dimension may vary from 3" to 4 1/4" to accommodate smaller radius of optional stepped (PVC) void. The minimum void diameter is 6 1/2".
4. Strands shown are continuous from Tip End to Butt End.
5. Strands are not shown in the elevation views for clarity.

LEGEND:

- Prestressed Strand:
0.5 in. ~ 31 kips before transfer (8 strands total)
- Dormant Strand:
0.5 in. (4 strands total) One 24" splice allowed per strand

STRAIN POLE TYPE P-VI

10/6/2022 2:30:18 PM

LAST REVISION 11/01/22	DESCRIPTION:
---------------------------	--------------

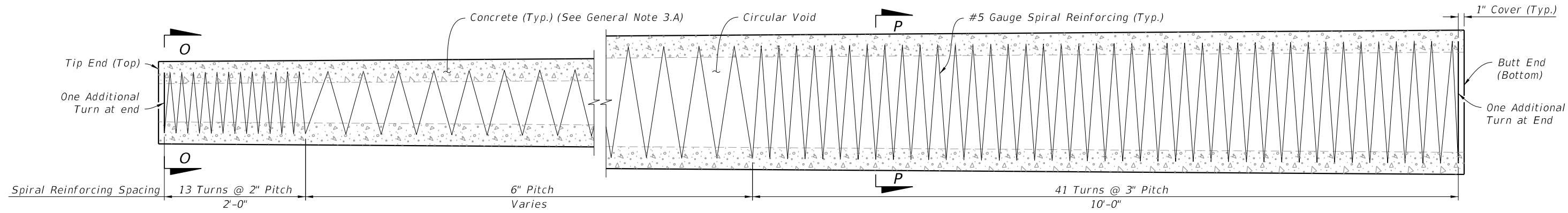


FY 2023-24
STANDARD PLANS

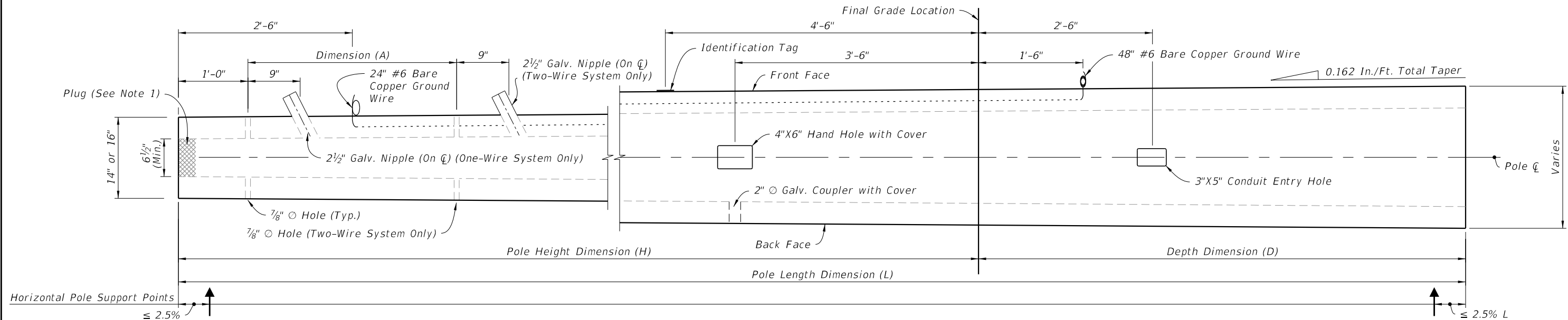
CONCRETE POLES

INDEX
641-010

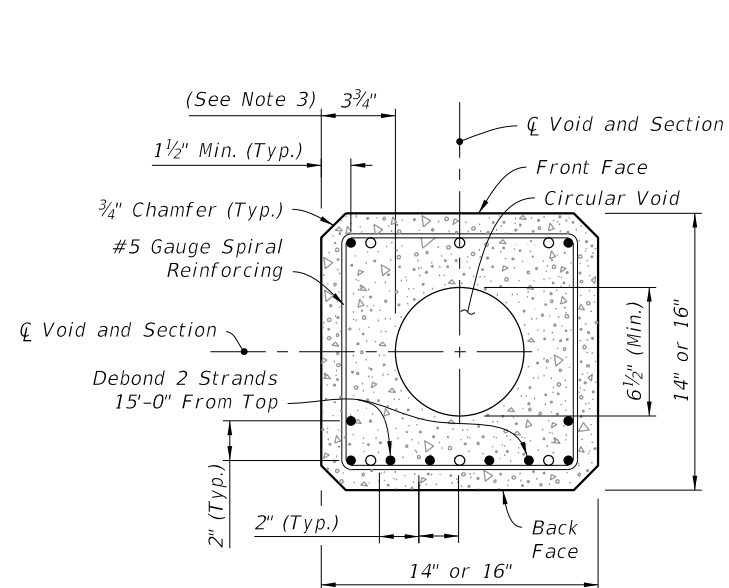
SHEET
9 of 11



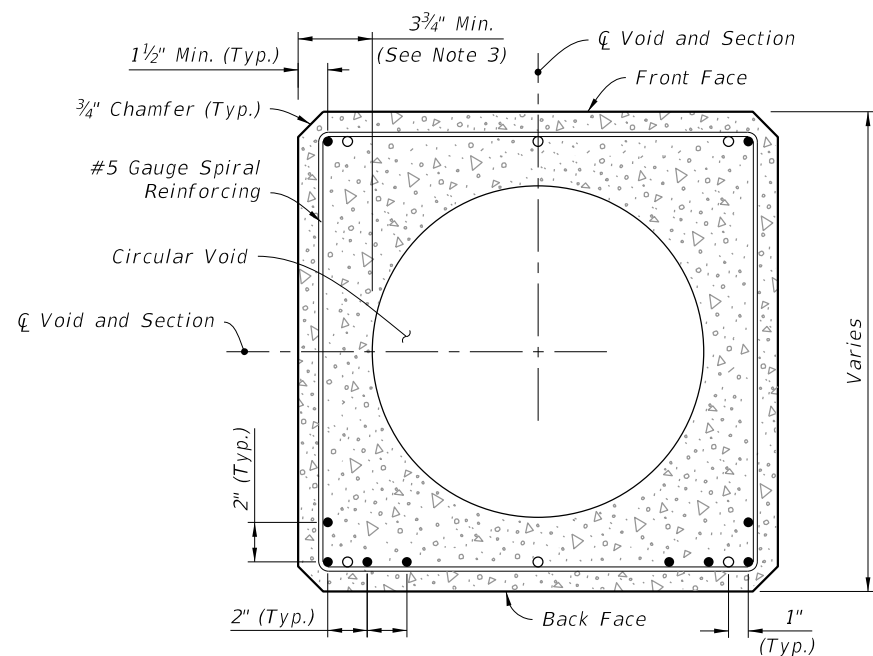
SPIRAL REINFORCING ELEVATION
(Strands, Holes, and Fixtures Not Shown)



POLE ELEVATION
(Strands And Reinforcing Not Shown)



SECTION O-O (Tip End)



SECTION P-P (Typical Square Section)

NOTES:

1. Provide a minimum 3" concrete plug at the Tip End.
2. For final erection, tilt pole upright with single point attachment located a distance of 10% L from the Tip End.
3. Dimension may vary from 3 3/4" to 5" to accommodate smaller radius of optional stepped (PVC) void. The minimum void diameter is 6 1/2".
4. Strands shown are continuous from Tip End to Butt End.
5. Strands are not shown in the elevation views for clarity.

LEGEND:

- Prestressed Strand:
0.5 in. ~ 31 kips before transfer (10 strands total)
- Dormant Strand:
0.5 in. (6 strands total) One 24" splice allowed per strand

STRAIN POLE TYPE P-VII

10/6/2022 2:30:19 PM

LAST REVISION	11/01/22	DESCRIPTION:
---------------	----------	--------------

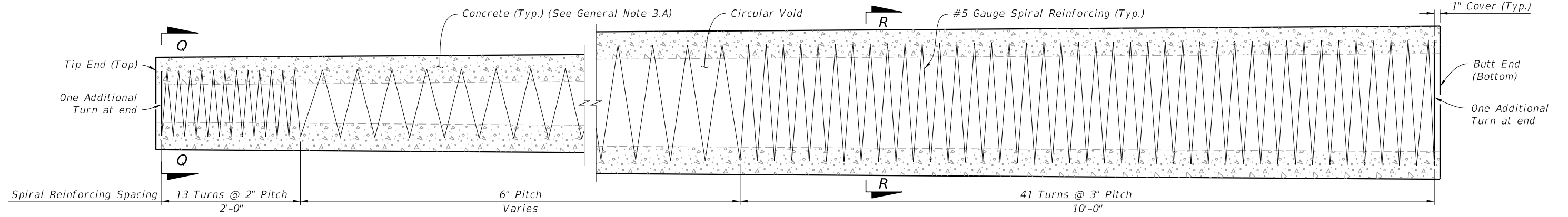


FY 2023-24
STANDARD PLANS

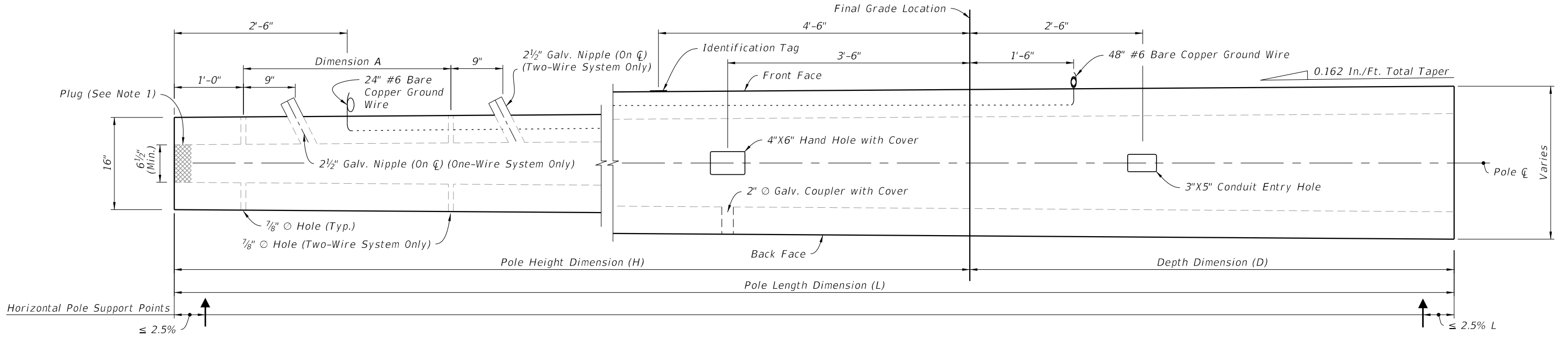
CONCRETE POLES

INDEX
641-010

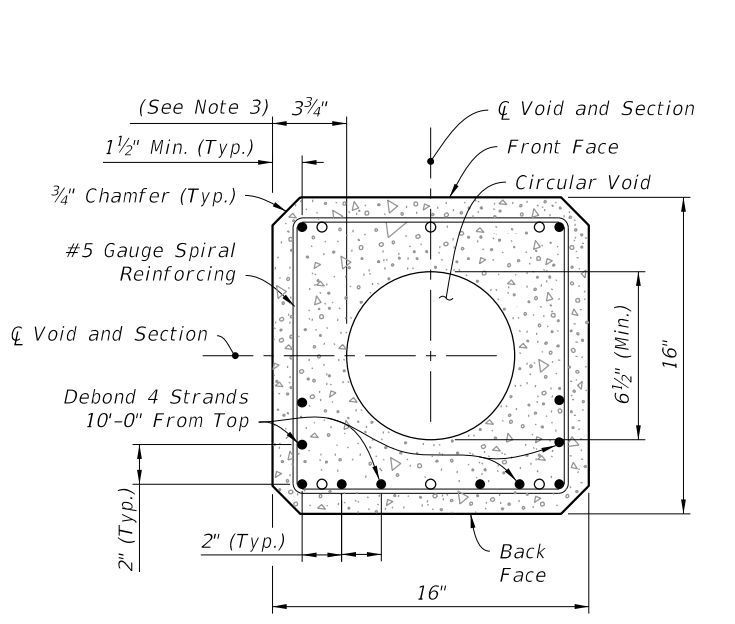
SHEET
10 of 11



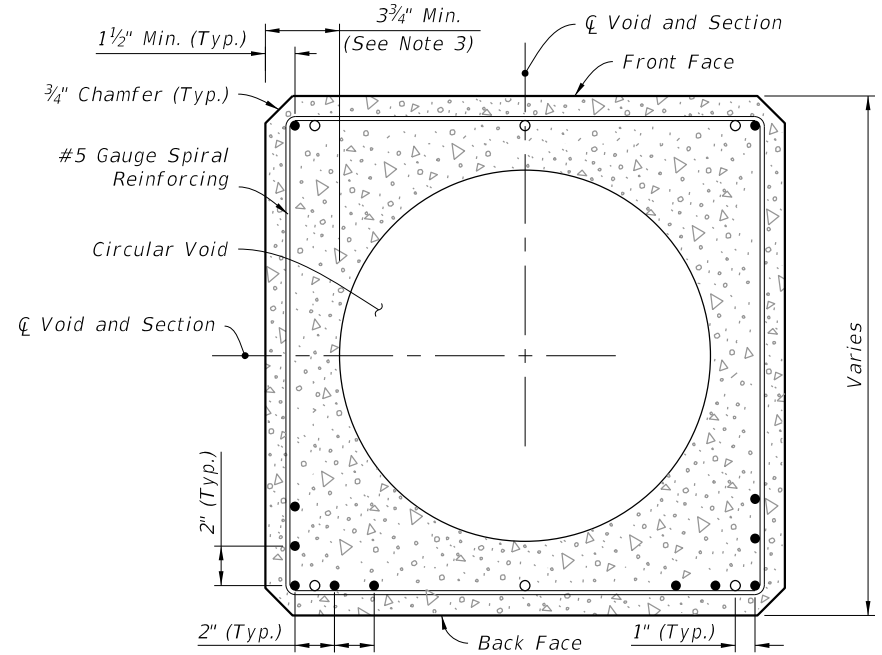
SPIRAL REINFORCING ELEVATION
(Strands, Holes, and Fixtures Not Shown)



POLE ELEVATION
(Strands And Reinforcing Not Shown)



SECTION Q-Q (Tip End)



SECTION R-R (Typical Square Section)

NOTES:

1. Provide a minimum 3" concrete plug at the Tip End.
2. For final erection, tilt pole upright with single point attachment located a distance of 10% L from the Tip End.
3. Dimension may vary from 3 3/4" to 5" to accommodate smaller radius of optional stepped (PVC) void. The minimum void diameter is 6 1/2".
4. Strands shown are continuous from Tip End to Butt End.
5. Strands are not shown in the elevation views for clarity.

LEGEND:

- Prestressed Strand:
0.5 in. ~ 31 kips before transfer (12 strands total)
- Dormant Strand:
0.5 in. (6 strands total) One 24" splice allowed per strand

STRAIN POLE TYPE P-VIII

10/6/2022 2:30:20 PM

LAST REVISION 11/01/22	DESCRIPTION:
---------------------------	--------------



FY 2023-24
STANDARD PLANS

CONCRETE POLES

INDEX 641-010	SHEET 11 of 11
------------------	-------------------