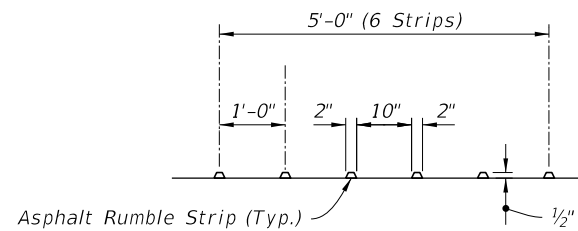
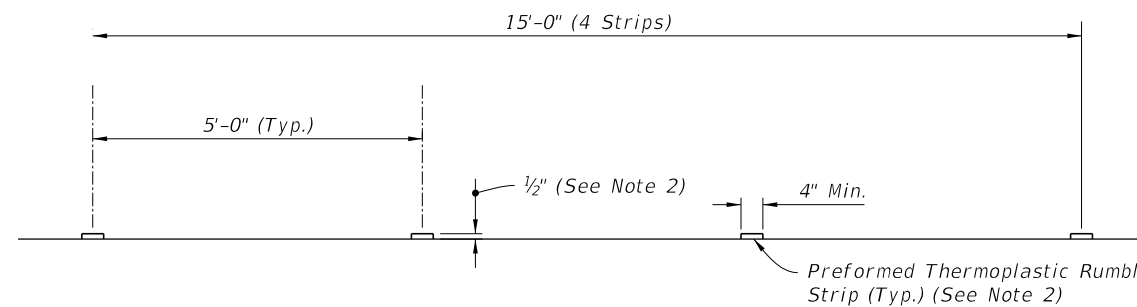


SPACING OF RAISED RUMBLE STRIP SETS AT INTERSECTIONS
(Preformed Thermoplastic Set Shown, Others Similar)

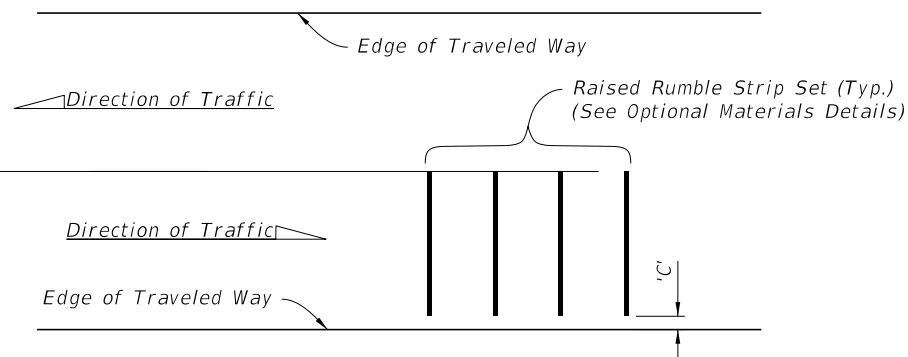
Posted Speed (mph)	'L' (Feet)
≤ 30	150
35	200
40	250
45	300
50	350
55	410
60	470
65	550



OPTION P1 - ASPHALT SET



OPTION P2 - PREFORMED THERMOPLASTIC SET



'C' = 0' For Roadways With Paved Shoulders
 'C' = 1.5' For Roadways Without Paved Shoulders

DETAIL "A"

NOTES:

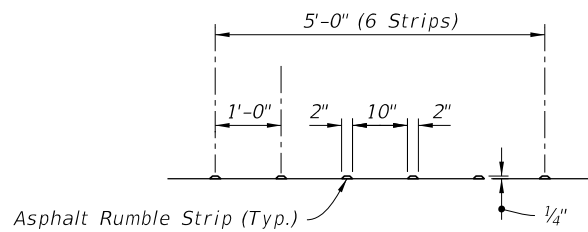
- Construct permanent raised rumble strips where shown in the Plans and in accordance with Specification 546.
- Preformed Thermoplastic Set:
 - Use multiple applications to achieve desired 1/2" thickness.
 - Use color white.

OPTIONAL MATERIALS DETAILS

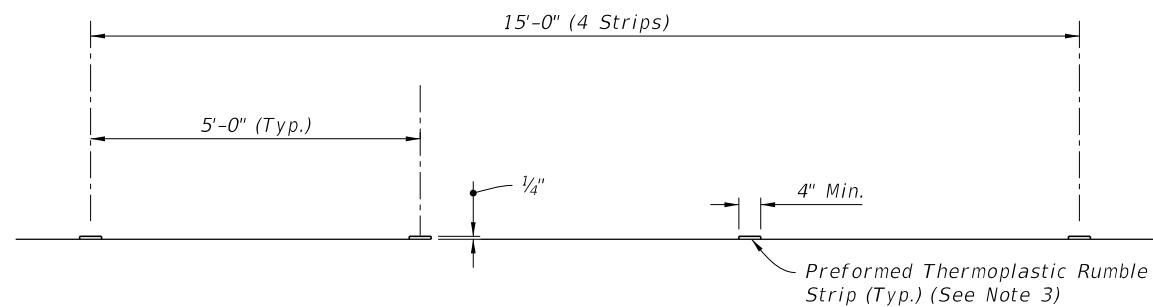
PERMANENT RAISED RUMBLE STRIPS

10/6/2022 2:20:21 PM

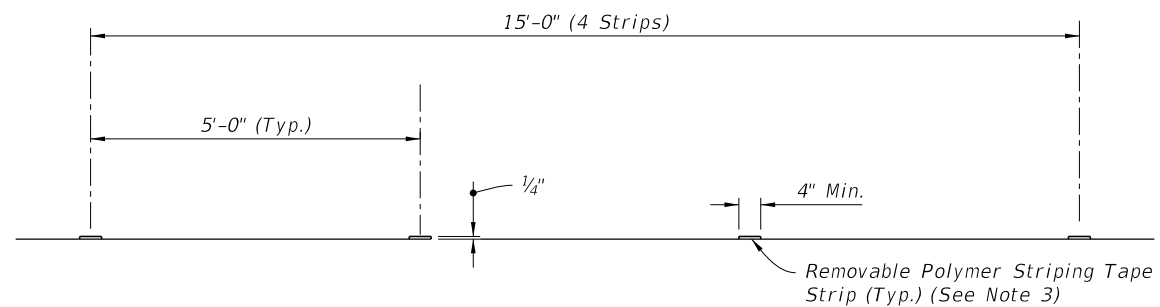
LAST REVISION 04/23/18	REVISION	DESCRIPTION:	 FY 2023-24 STANDARD PLANS	RAISED RUMBLE STRIPS	INDEX 546-001	SHEET 1 of 2
---------------------------	----------	--------------	----------------------------------	----------------------	------------------	-----------------



OPTION ST1 - ASPHALT SET



OPTION ST2 - PREFORMED THERMOPLASTIC SET



OPTION ST3 - REMOVABLE POLYMER STRIPING TAPE SET


OPTIONAL MATERIALS DETAILS

NOTES:

1. Construct short-term raised rumble strips where noted in the Plans and in accordance with Specification 546.
2. See Sheet 1 for placement and additional details.
3. Use color white for Preformed Thermoplastic and Removable Polymer Striping Tape Sets.

10/19/2022 8:06:44 AM

SHORT-TERM RAISED RUMBLE STRIPS

LAST REVISION 04/23/18	REVISION	DESCRIPTION:	 FY 2023-24 STANDARD PLANS	RAISED RUMBLE STRIPS	INDEX 546-001	SHEET 2 of 2
---------------------------	----------	--------------	---	----------------------	------------------	-----------------