



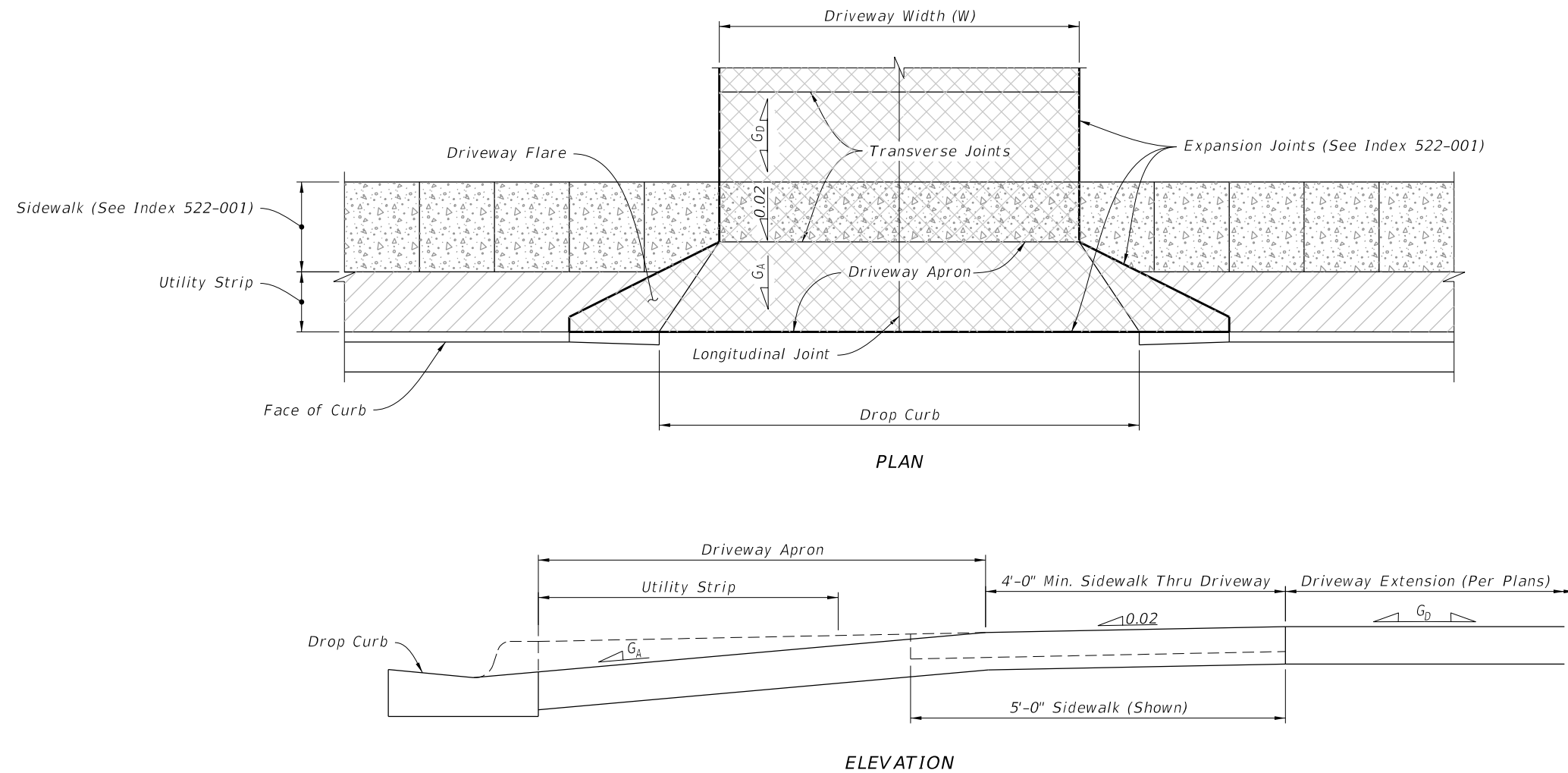


GENERAL NOTES:

1. Work this Index with Specification 522.
2. Refer to Index 520-001 for drop curb details and Index 522-001 for joints between driveway, sidewalks, and curb.
3. Existing Curb and Gutter:
Remove existing curb and gutter to either the nearest joint beyond the flared point or to where no remaining section is less than 5 feet long.
4. Grades and cross slopes shown are maximums.
5. Longitudinal Joints:
Construct $\frac{1}{8}$ " open joints placed at equal (20' max.) intervals for driveways over 20' wide. Match joints in curb and gutter to match joints in driveways.
6. Transverse Joints:
Construct $\frac{1}{8}$ " open joints @ 10' Centers and $\frac{1}{2}$ " expansion joints with preformed joint filler every 5th joint.
7. Construct driveways (6" thick concrete) to a uniform width (W) to the R/W line or the extent shown in the Plans.
8. Width of Sidewalk Thru Driveway is 4'-0" minimum. Match sidewalk width when shown in Plans or when utility strip width is equal to or greater than the depth of the Driveway Apron.
9. Alpha-Numeric Identification:
Concrete Flared Driveway Alpha-Numeric Identifications (e.g. G4) are provided for reference purposes in the Plans.


LEGEND:

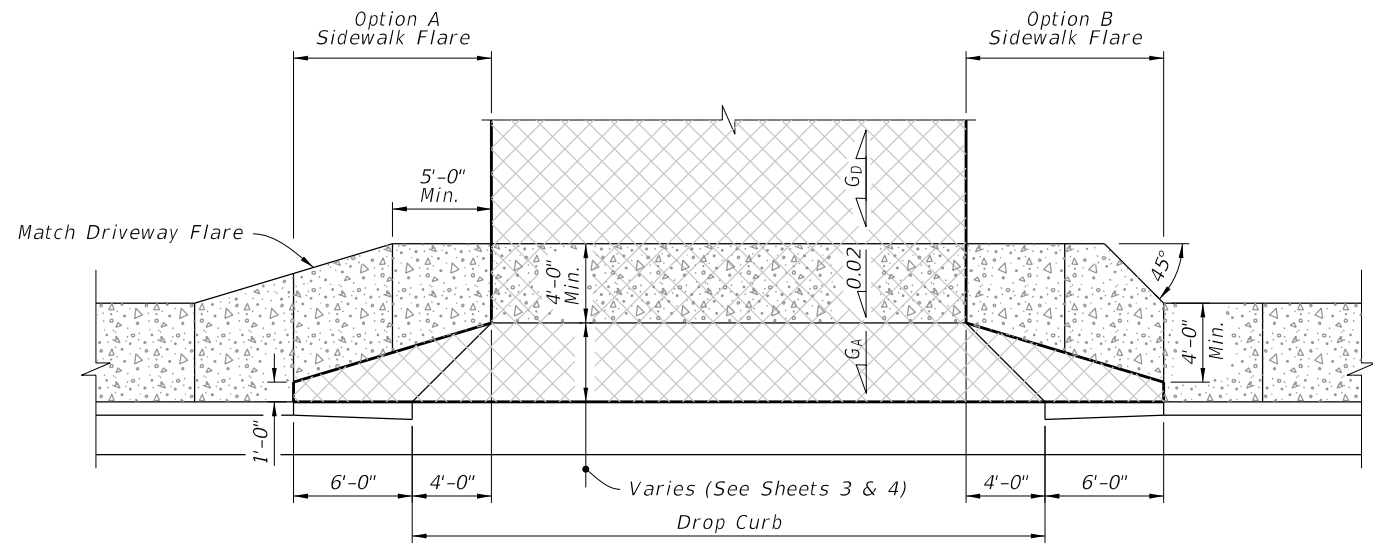
-  Sidewalk
-  Flared Driveway (6" Thick Concrete)
-  Sidewalk Thru Driveway (6" Thick Concrete)
-  Utility Strip
- G_A Grade of Apron
- G_D Grade of Driveway (Per Plans)



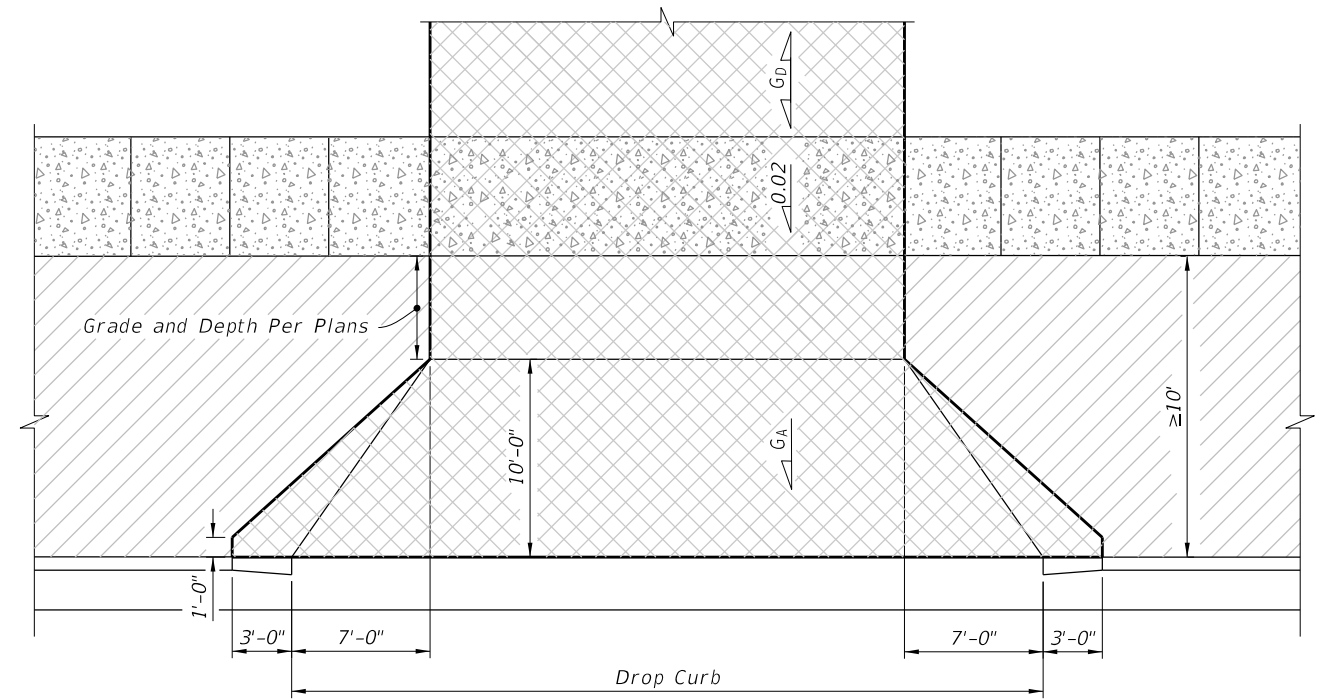
CONCRETE FLARED DRIVEWAY NOMENCLATURE

10/6/2022 2:15:33 PM

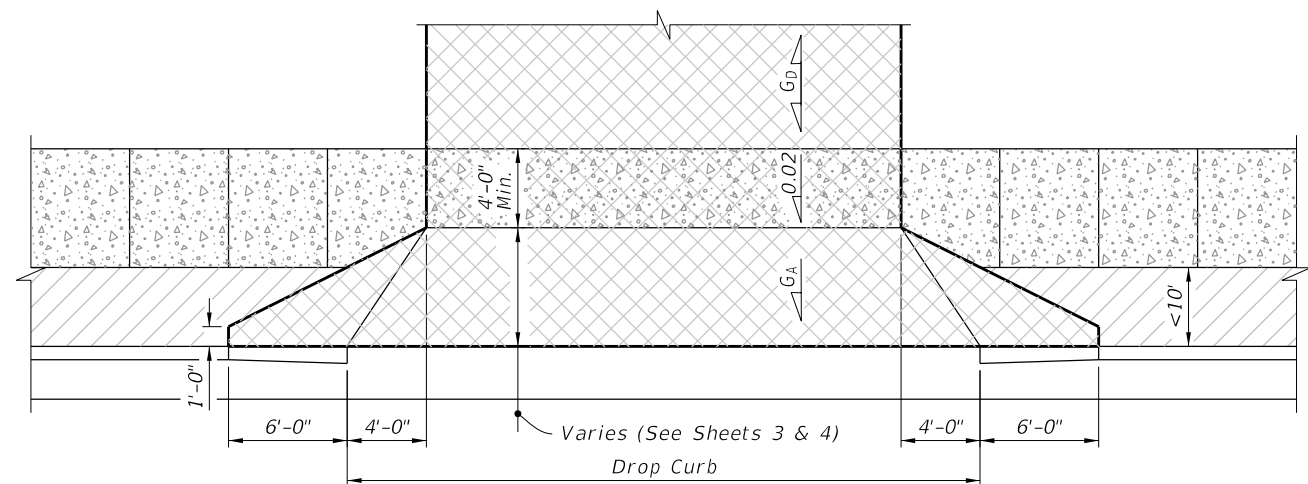
LAST REVISION 11/01/18	REVISION	DESCRIPTION:		FY 2023-24 STANDARD PLANS	CONCRETE FLARED DRIVEWAYS	INDEX 522-003	SHEET 1 of 4
---------------------------	----------	--------------	---	------------------------------	---------------------------	------------------	-----------------



SIDEWALK WITHOUT UTILITY STRIP



WITHOUT SIDEWALK OR UTILITY STRIP $\geq 10'$ WIDE




UTILITY STRIP $< 10'$ WIDE

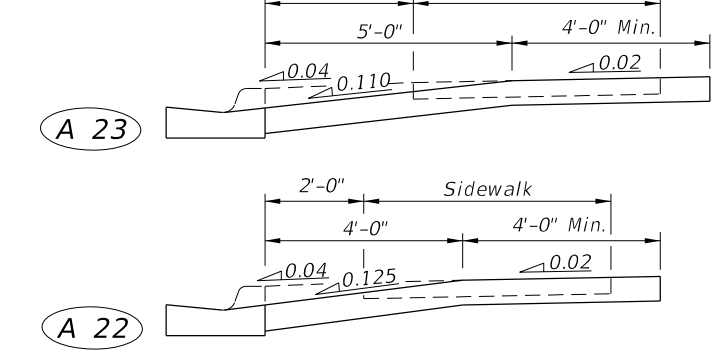
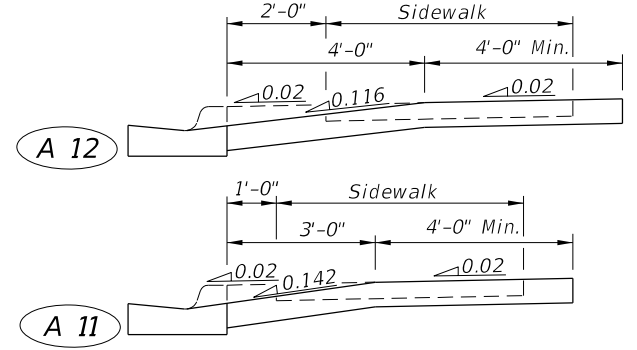
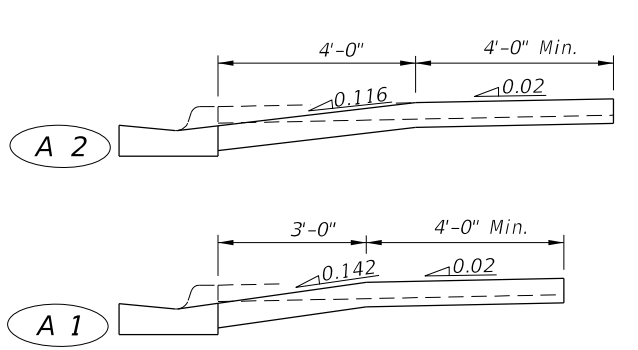
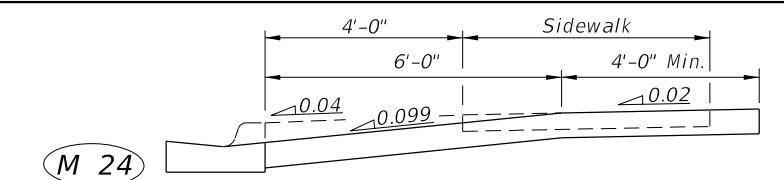
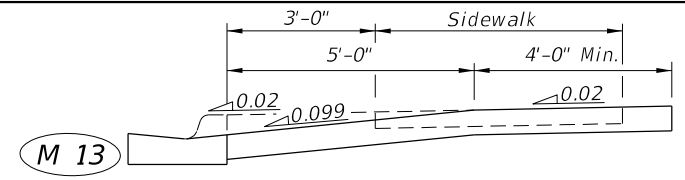
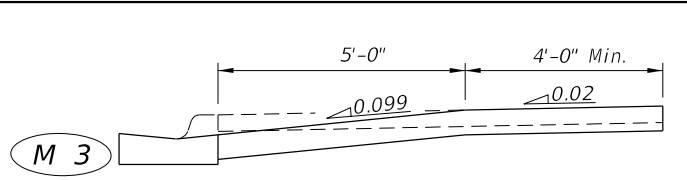
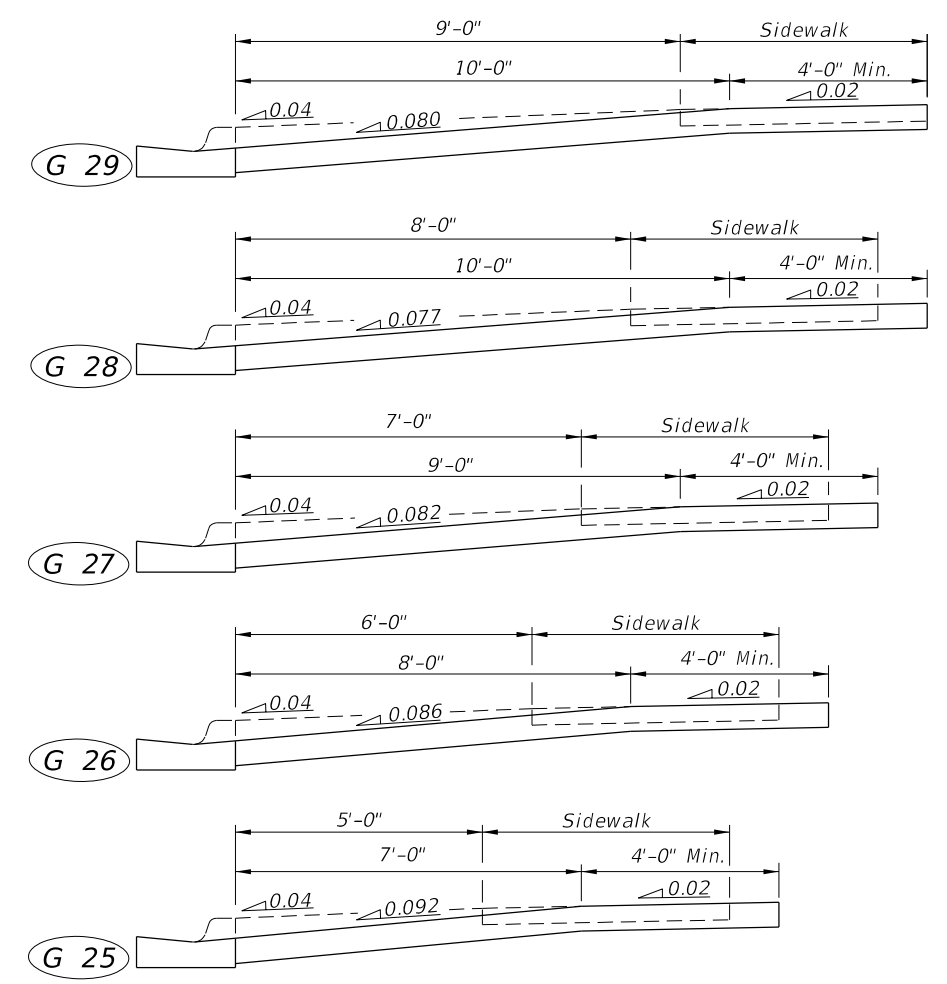
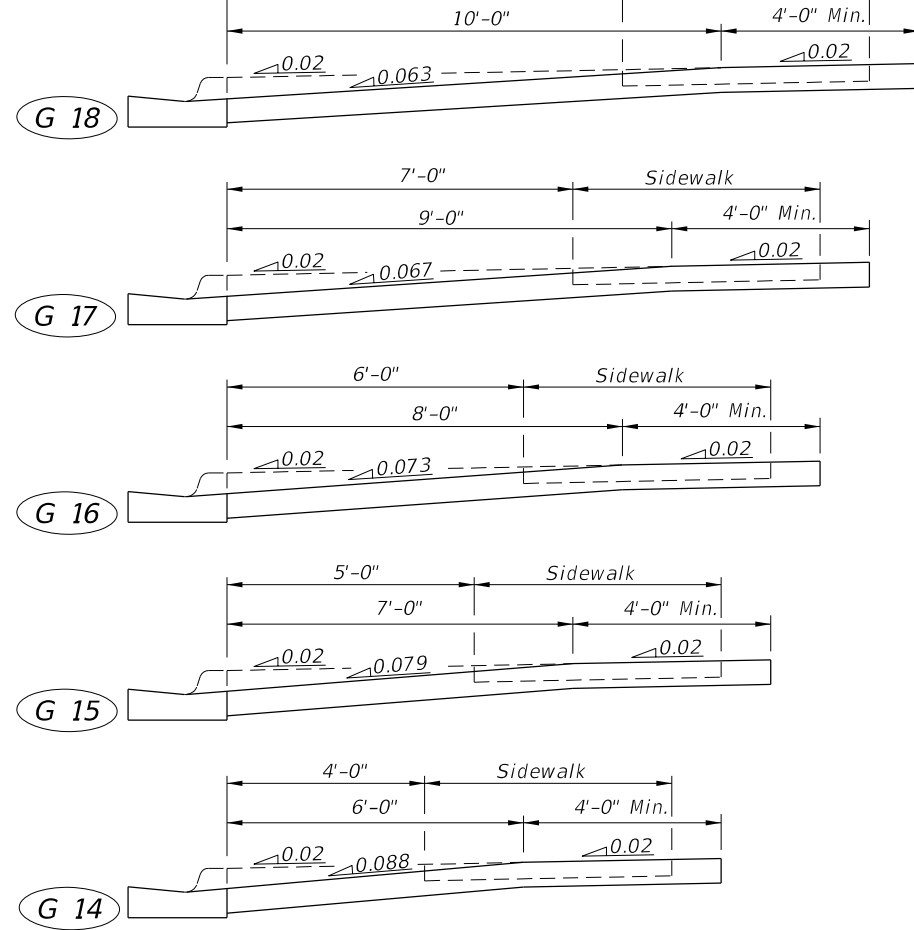
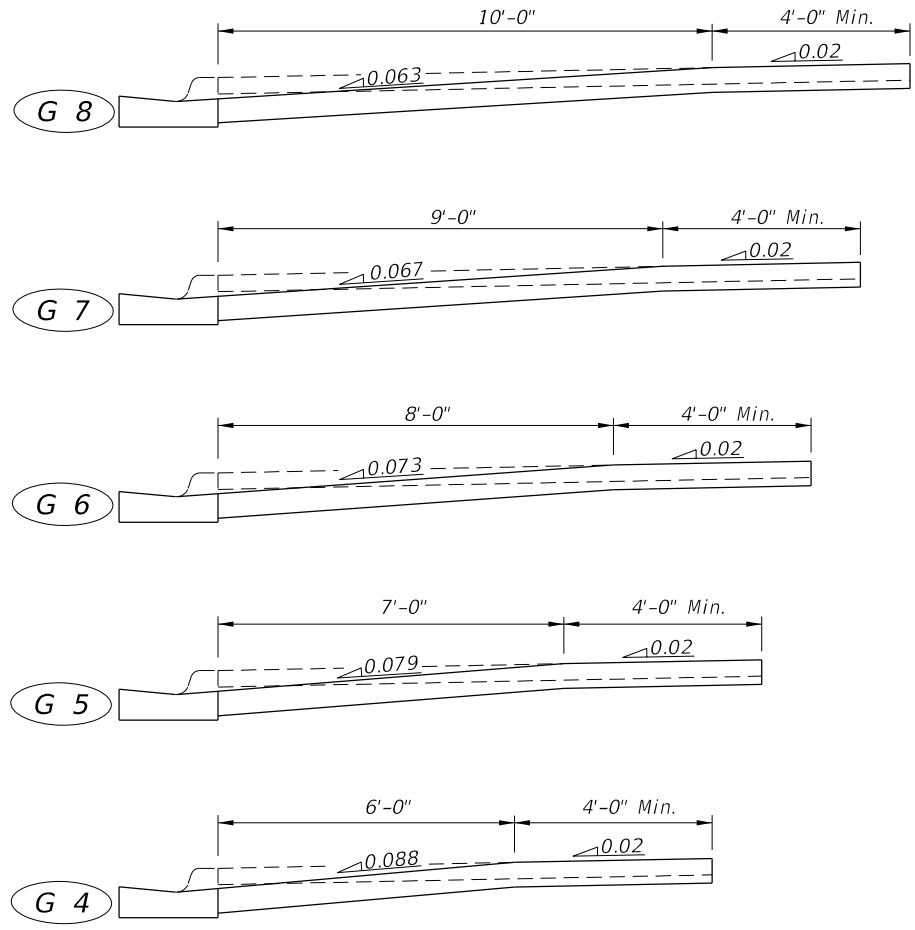
LEGEND:

-  Sidewalk
-  Flared Driveway (6" Thick Concrete)
-  Sidewalk Thru Driveway (6" Thick Concrete)
-  Utility Strip

10/6/2022 2:15:34 PM

LAST REVISION 11/01/18	REVISION	DESCRIPTION:		FY 2023-24 STANDARD PLANS	CONCRETE FLARED DRIVEWAYS	INDEX 522-003	SHEET 2 of 4
---------------------------	----------	--------------	--	------------------------------	---------------------------	------------------	-----------------

10/6/2022 2:15:34 PM



GENERAL APPLICATIONS

MARGINAL

ADVERSE


===== SIDEWALK WITHOUT UTILITY STRIP =====

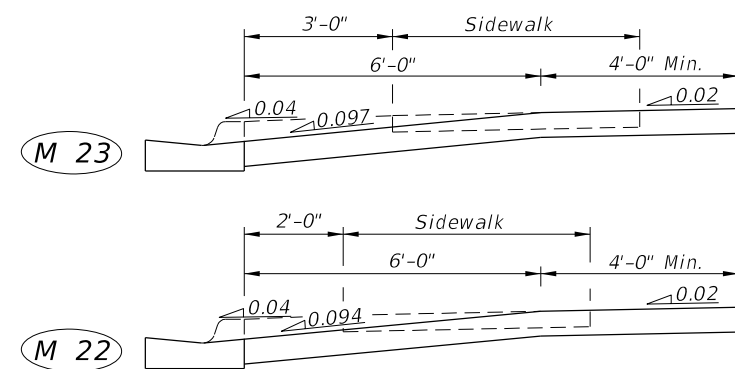
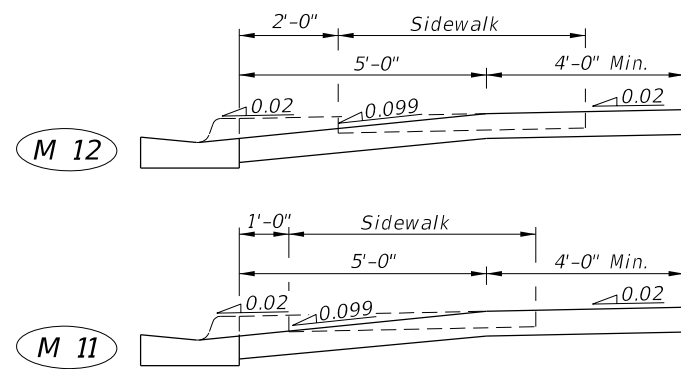
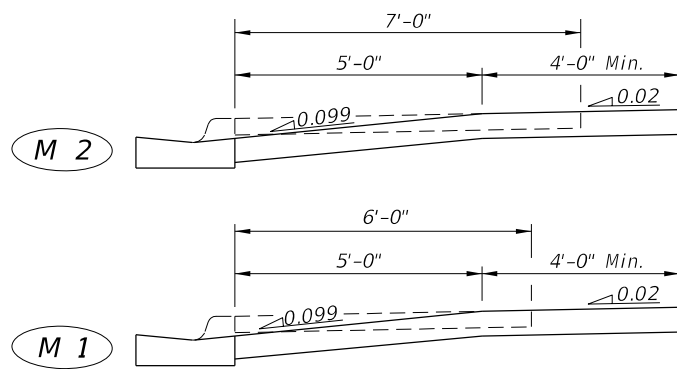
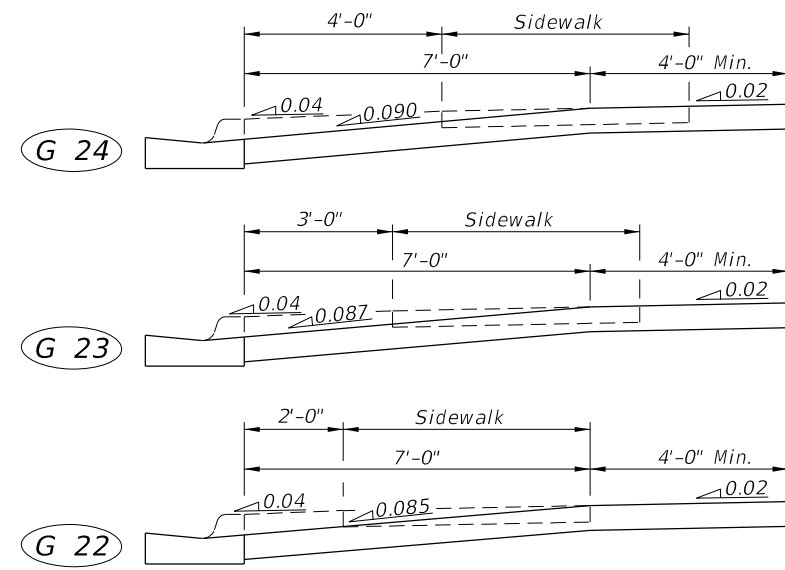
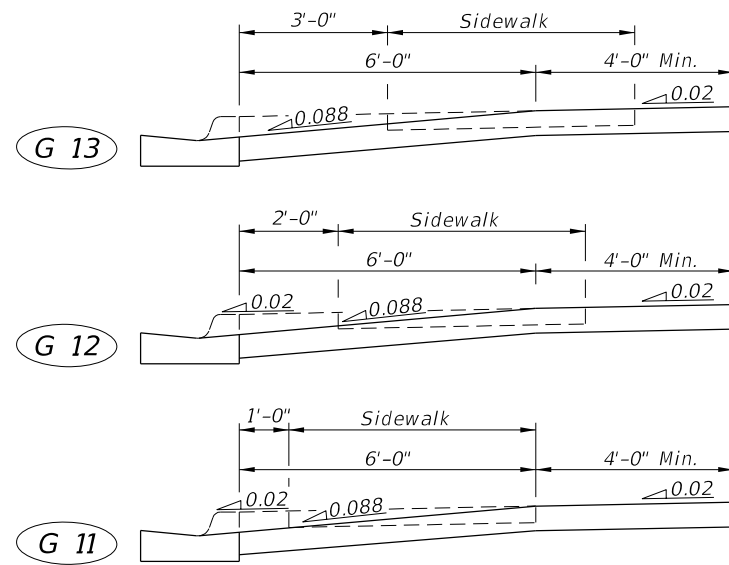
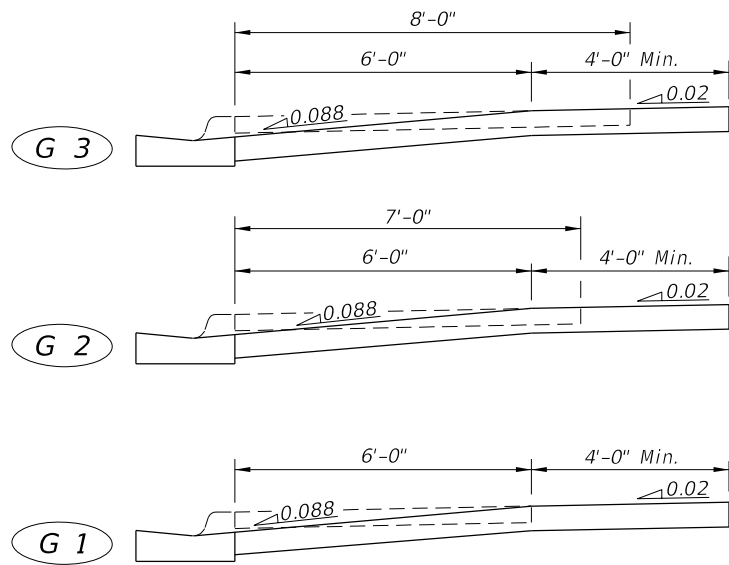
===== SIDEWALK WITH UTILITY STRIP ON 0.02 SLOPE =====

===== SIDEWALK WITH UTILITY STRIP ON 0.04 SLOPE =====

NOTE:
5' sidewalks shown.

DRIVEWAY SECTIONS ON CURBED FACILITIES WITH SIDEWALKS

LAST REVISION 11/01/18	REVISION	DESCRIPTION:	 FY 2023-24 STANDARD PLANS	CONCRETE FLARED DRIVEWAYS	INDEX 522-003	SHEET 3 of 4
---------------------------	----------	--------------	---	---------------------------	------------------	-----------------



==== SIDEWALK WITHOUT UTILITY STRIP ====

==== SIDEWALK WITH UTILITY STRIP ON 0.02 SLOPE ====

==== SIDEWALK WITH UTILITY STRIP ON 0.04 SLOPE ====

NOTE:
5' sidewalks shown.

GENERAL APPLICATIONS

MARGINAL

DRIVEWAY SECTIONS ON CURBED FACILITIES WITH SIDEWALKS

LAST REVISION 11/01/18	REVISION	DESCRIPTION:
---------------------------	----------	--------------



CONCRETE FLARED DRIVEWAYS

INDEX 522-003	SHEET 4 of 4
------------------	-----------------