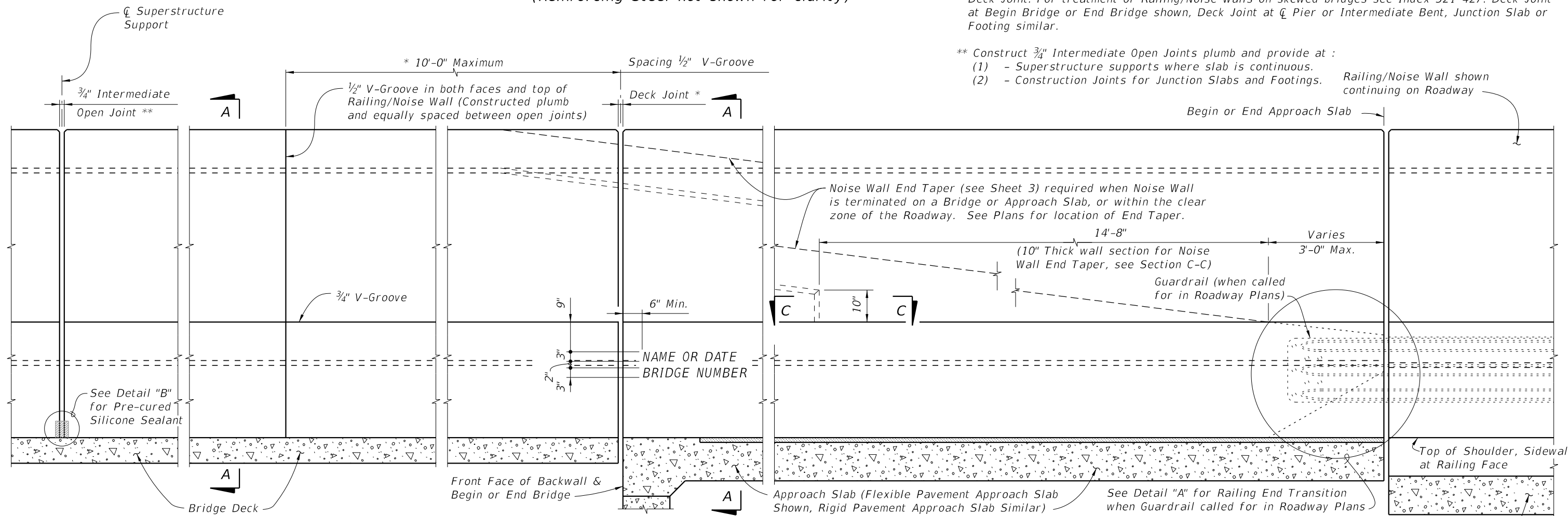


PLAN (BRIDGE MOUNTED RAILING/NOISE WALL SHOWN, WALL OR FOOTING MOUNTED RAILING/NOISE WALL SIMILAR) (Reinforcing Steel not shown for clarity)

* On Bridges see Superstructure and Approach Slab Sheets for actual dimensions and joint orientation. Open Railing/Noise Wall Joints at Deck Expansion Joint locations shall match the dimensions of the Deck Joint. For treatment of Railing/Noise Walls on skewed bridges see Index 521-427. Deck Joint at Begin Bridge or End Bridge shown, Deck Joint at \bar{C} Pier or Intermediate Bent, Junction Slab or Footing similar.

** Construct 3/4" Intermediate Open Joints plumb and provide at :
 (1) - Superstructure supports where slab is continuous.
 (2) - Construction Joints for Junction Slabs and Footings.



ELEVATION OF INSIDE FACE OF RAILING/NOISE WALL (BRIDGE MOUNTED RAILING/NOISE WALL SHOWN, WALL OR FOOTING MOUNTED RAILING/NOISE WALL SIMILAR) (Reinforcing Steel not shown for clarity)

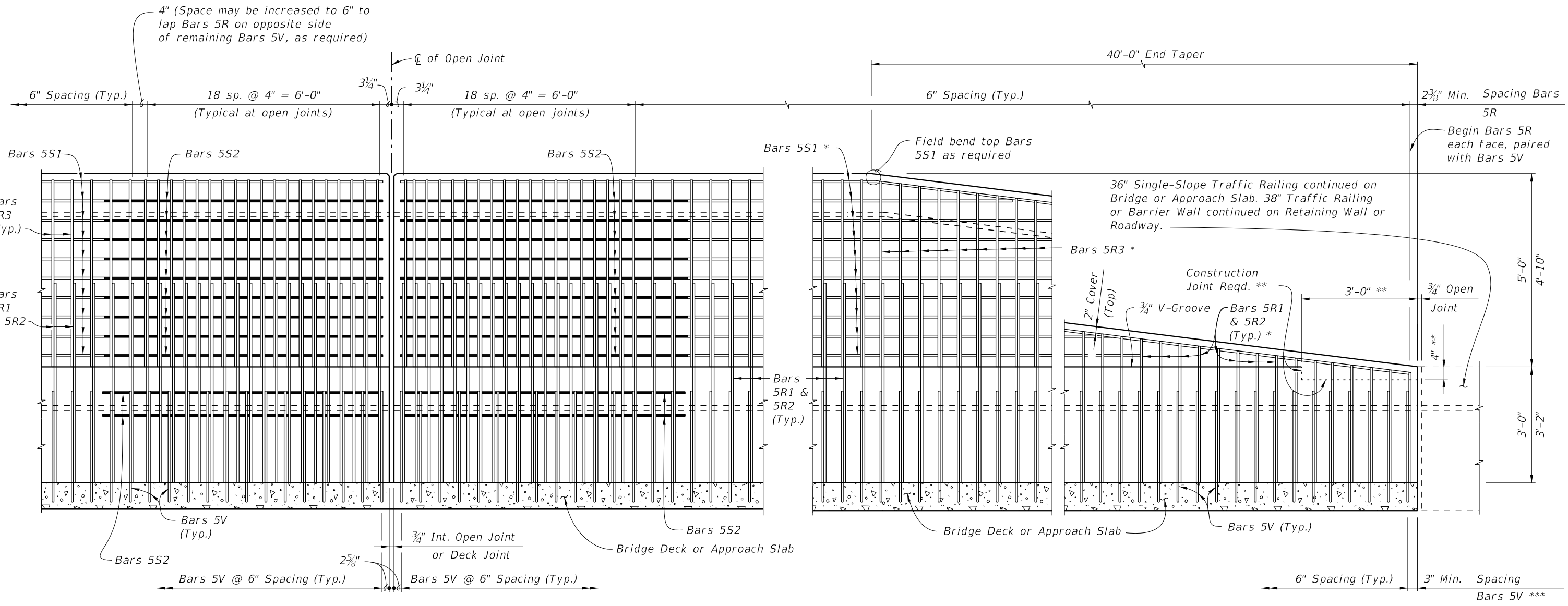
CROSS REFERENCE:
 For Detail "B" and V-Groove Lettering Detail see Sheet 4.
 For Section A-A see Sheet 3.
 For Section C-C and Detail "A" see Sheet 5.

NAME, DATE AND BRIDGE NUMBER : For Railing/Noise Wall on bridges, place the Name as shown in the General Notes in the Structures Plans and Bridge Number on the Traffic Railing so as to be seen on the driver's right side when approaching the bridge. Place the Date on the driver's left side when approaching the bridge. The Date shall be the year the bridge is completed. For a widening when the existing railing is removed, use both the existing date and the year of the widening. Black plastic letters and figures 3" in height may be used, as approved by the Engineer, in lieu of the letters and figures formed by 3/8" V-Grooves. V-Grooves shall be formed by preformed letters and figures.

- Notes**
1. Work this with Indexes 521-512 through 521-515.
 2. Construct Traffic Railing/ Noise Wall and joints plumb, not perpendicular to the roadway surface.
 3. Concrete:
 - A. Class II for slightly aggressive environments.
 - B. Class IV for moderately or extremely aggressive environments.
 4. Provide 3/4" open joints every 30 to 90 feet. Align open joints with construction joints in the Junction Slab or footing.
 5. Install Barrier Delineators 2'-4" above the riding surface in accordance with Specification Section 705. Match the Delineator color (White or Yellow) to the near edgeline.
 6. Slip forming of the traffic railing portion is permitted.

10/6/2022 11:29:13 AM

LAST REVISION 11/01/18	REVISION	DESCRIPTION:		FY 2023-24 STANDARD PLANS	TRAFFIC RAILING/NOISE WALL (8'-0") - BRIDGE	INDEX 521-509	SHEET 1 of 5
---------------------------	----------	--------------	--	------------------------------	---	------------------	-----------------




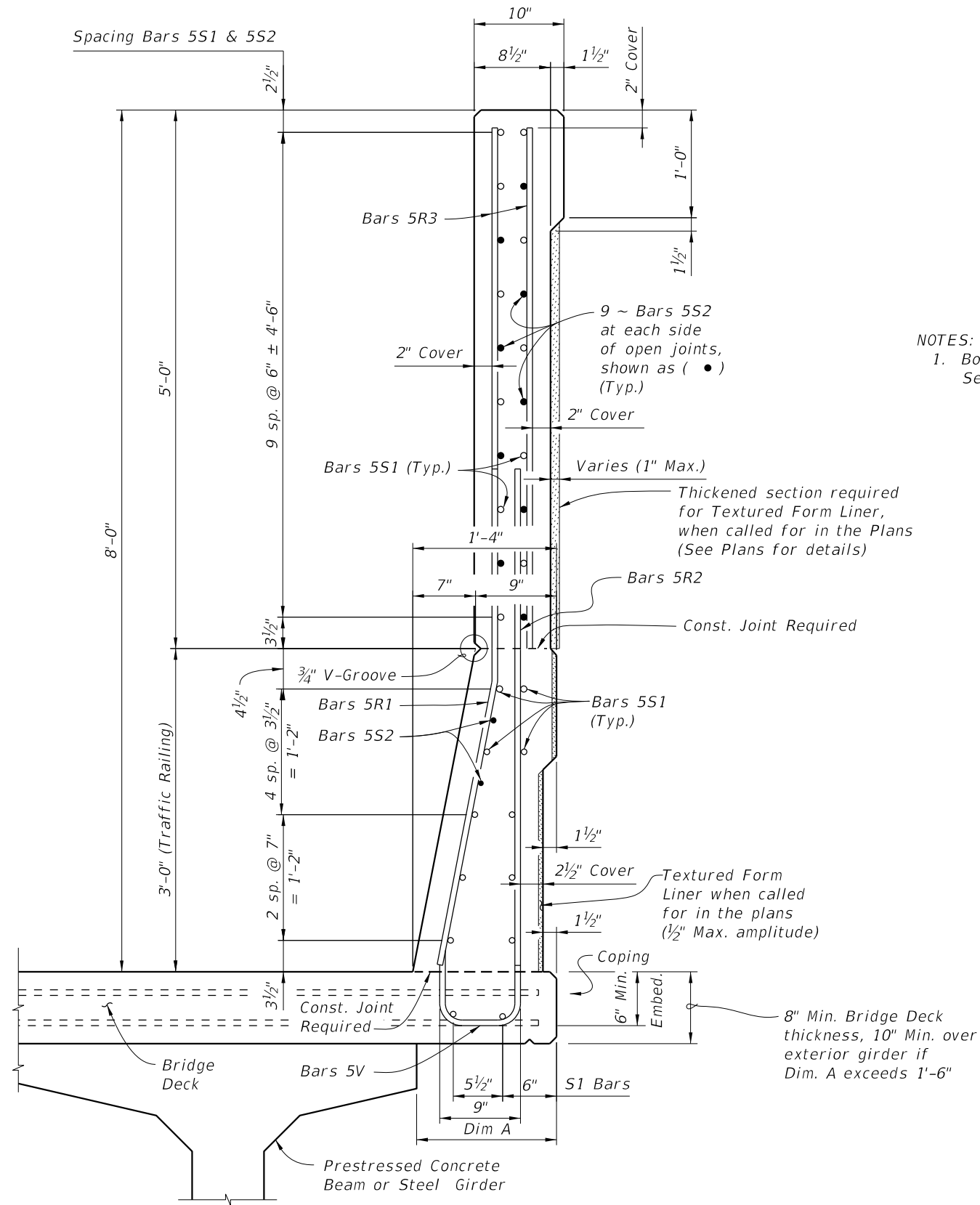
ELEVATION OF RAILING/NOISE WALL REINFORCING STEEL
 (INTERMEDIATE OPEN JOINT SHOWN, DECK JOINT SIMILAR)
 (Bars 5S1 in Railing not shown for clarity)

ELEVATION OF RAILING/NOISE WALL END TAPER (ADJACENT TO TRAFFIC RAILING
 SHOWN, GUARDRAIL ATTACHMENT SIMILAR SEE DETAIL "A", SHEET 5)
 (Bars 5S1 in Railing not shown for clarity)

- NOTES:
- * Field Cut Bars 5R & 5S1 to maintain clearance.
 - ** Terminate $\frac{3}{4}$ " V-groove at construction joint & cast top of railing with End Taper.
 - *** Bar spacing shown for Bars 5V only applies when Single-Slope Traffic Railing continues. For transition to guardrail see Sheet 5.

10/6/2022 11:29:14 AM

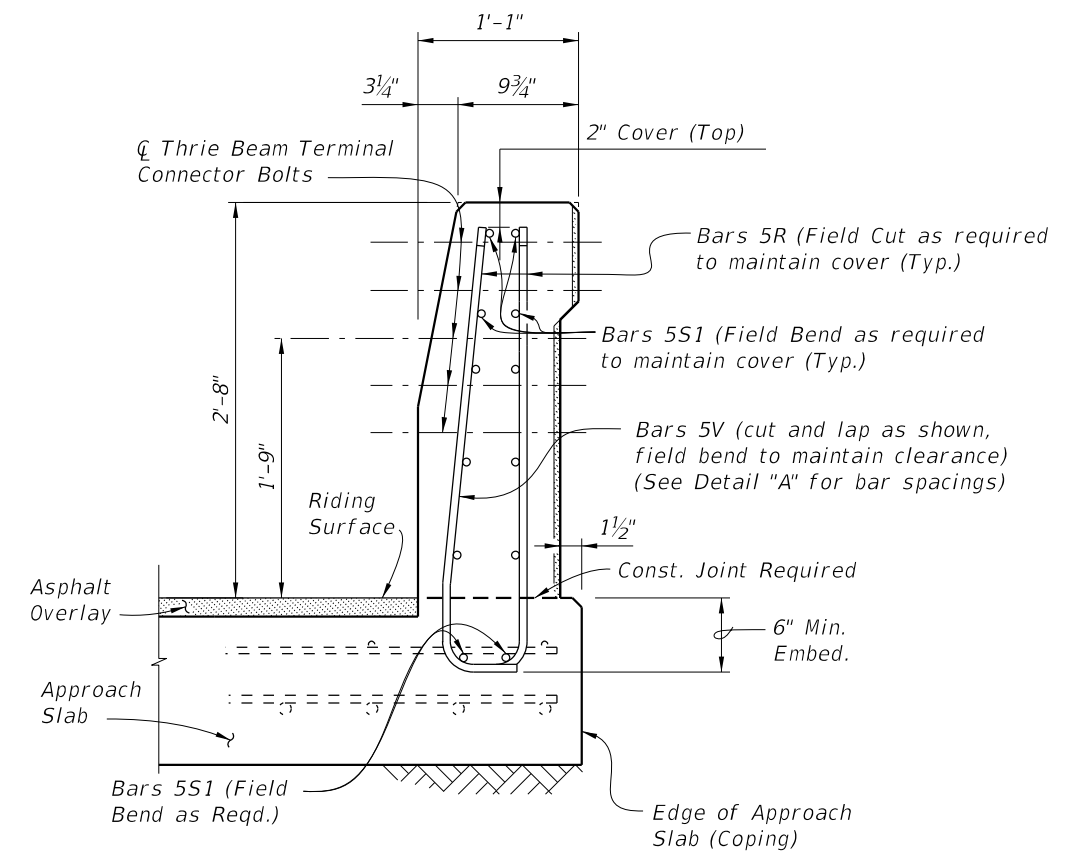
LAST REVISION 11/01/18	REVISION	DESCRIPTION:		FY 2023-24 STANDARD PLANS	TRAFFIC RAILING/NOISE WALL (8'-0") - BRIDGE	INDEX 521-509	SHEET 2 of 5
---------------------------	----------	--------------	---	------------------------------	---	------------------	-----------------



SECTION A-A
TYPICAL SECTION THRU TRAFFIC RAILING/NOISE WALL
 (Section Thru Bridge Deck Shown, Section Thru Approach Slab Similar)


CROSS REFERENCE:
 For locations of Section A-A see Sheet 1.
 For location of View B-B, see Sheet 5.

- NOTES:**
- Bottom Bars 5S1 shown are part of the Traffic Railing/Noise Wall reinforcing. See Superstructure Sheets in the Plans for additional Bridge Deck Reinforcing.



VIEW B-B
END VIEW OF RAILING END TRANSITION FOR GUARDRAIL ATTACHMENT AT END OF APPROACH SLAB
 (Flexible Pavement Approach Slab Shown, Rigid Pavement Approach Slab Similar)

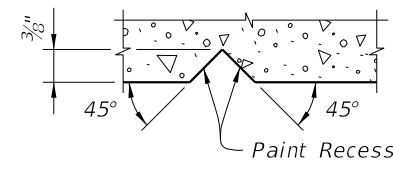
10/6/2022 11:29:14 AM

LAST REVISION 11/01/18	REVISION	DESCRIPTION:		FY 2023-24 STANDARD PLANS	TRAFFIC RAILING/NOISE WALL (8'-0") - BRIDGE	INDEX 521-509	SHEET 3 of 5
---------------------------	----------	--------------	---	--	--	-------------------------	------------------------

REINFORCING STEEL BENDING DIAGRAMS

BILL OF REINFORCING STEEL		
MARK	SIZE	LENGTH
R1	5	5'-2"
R2	5	5'-2½"
R3	5	4'-10"
S1	5	As Reqd.
S2	5	7'-3"
V	5	6'-6½"

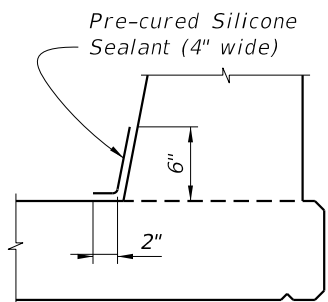
BRIDGE MOUNTED	BRIDGE CROSS-SLOPE	LOW GUTTER		HIGH GUTTER	
		∅A	∅B	∅A	∅B
	0% to 2%	90°	90°	90°	90°
	2% to 6%	93°	87°	87°	93°
	6% to 10%	96°	84°	84°	96°



SECTION THRU RECESSED "V" GROOVE TO FORM INSCRIBED LETTERS AND FIGURES

INTERMEDIATE JOINT SEAL NOTES:

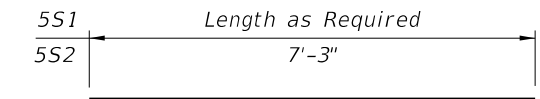
- At Intermediate Open Joints, seal the lower 6" portion of the open joint with Pre-cured Silicone Sealant in accordance with Specification Section 932.
- Apply sealant prior to any Class V finish coating and remove all curing compound and loose material from the surface prior to application of bonding agent.
- The cost of the Pre-cured Silicone Sealant shall be included in the Contract Unit Price for the Traffic Railing.



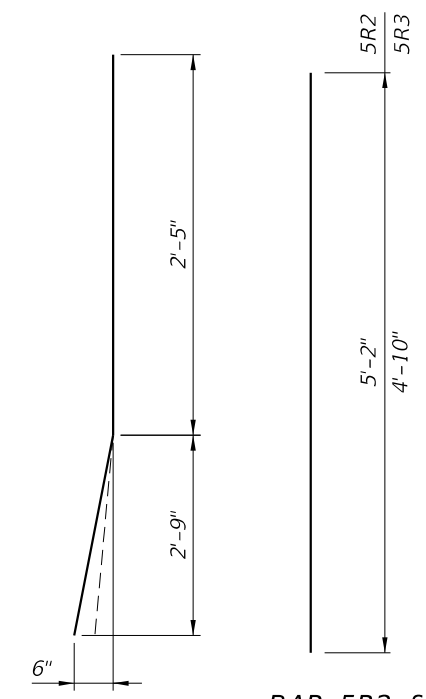
DETAIL "B" - SECTION AT INTERMEDIATE OPEN JOINT

ESTIMATED TRAFFIC RAILING/NOISE WALL QUANTITIES		
ITEM	UNIT	QUANTITY
Concrete (Railing)	CY/LF	0.107
Concrete (Noise Wall)	CY/LF	0.136
Reinforcing Steel (Typical)	LB/LF	69.36
Additional Reinf. @ Open Joint	LB	226.85

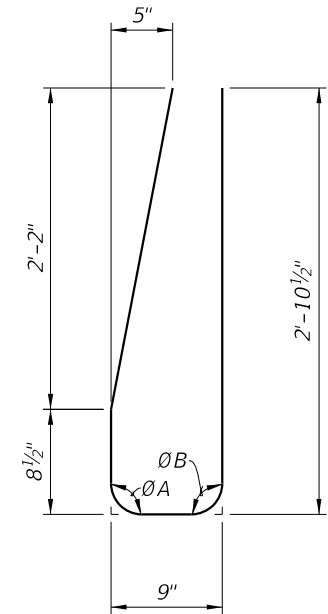
(The above quantities are based on the bridge mounted typical section, 2% deck cross slope and railing on low side of deck.)



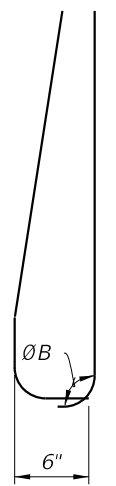
BARS 5S1 & 5S2



BAR 5R1
BAR 5R2 & BAR 5R3
(Field Cut and Bend for Railing End Transition)



STIRRUP BAR 5V



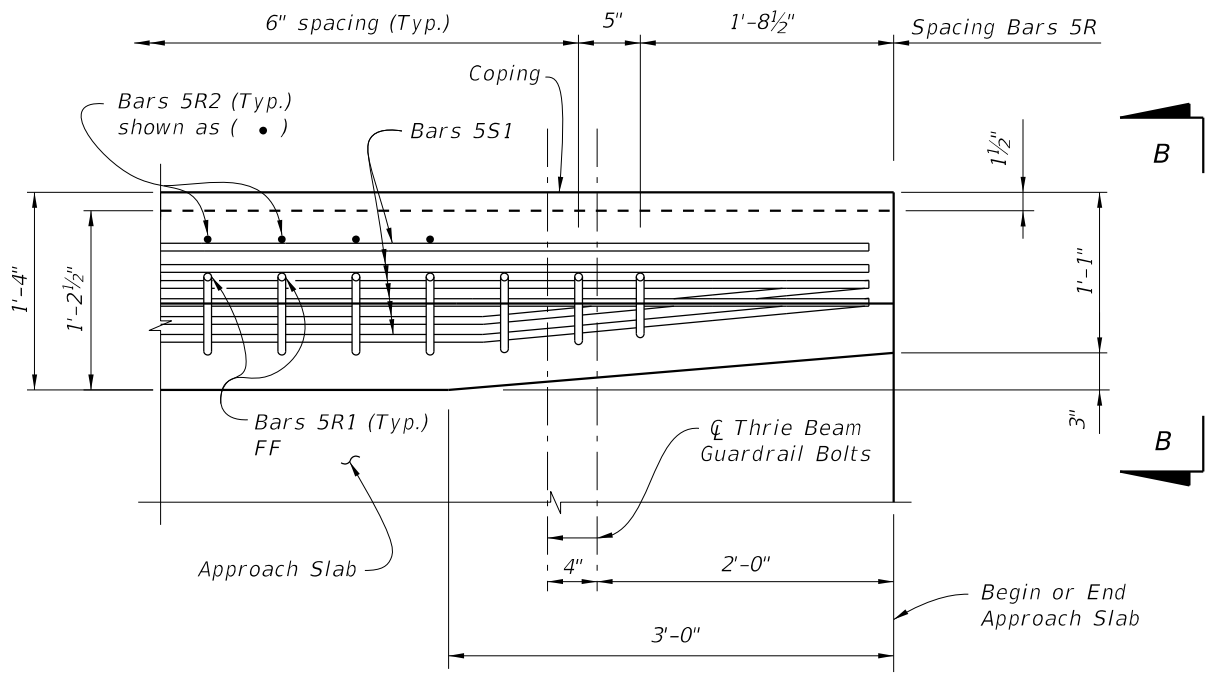
END STIRRUP BAR 5V
To Be Field Cut (Railing End Transition)

REINFORCING STEEL NOTES:

- All bar dimensions in the bending diagrams are out to out.
- All reinforcing steel at the open joints shall have a 2" minimum cover.
- Bars 5R shall be one continuous or lap spliced bar. No mechanical couplers are permitted.
- Bars 5S1 may be continuous or spliced at the construction joints. Lap splices for Bars 5R2 and 5S1 shall be a minimum of 2'-2".
- The Contractor may use Welded Wire Reinforcement (WWR) when approved by the Engineer. WWR must consist of deformed wire meeting the requirements of Specification Section 931.

CROSS REFERENCE:
For locations of Detail "B", see Sheet 1.

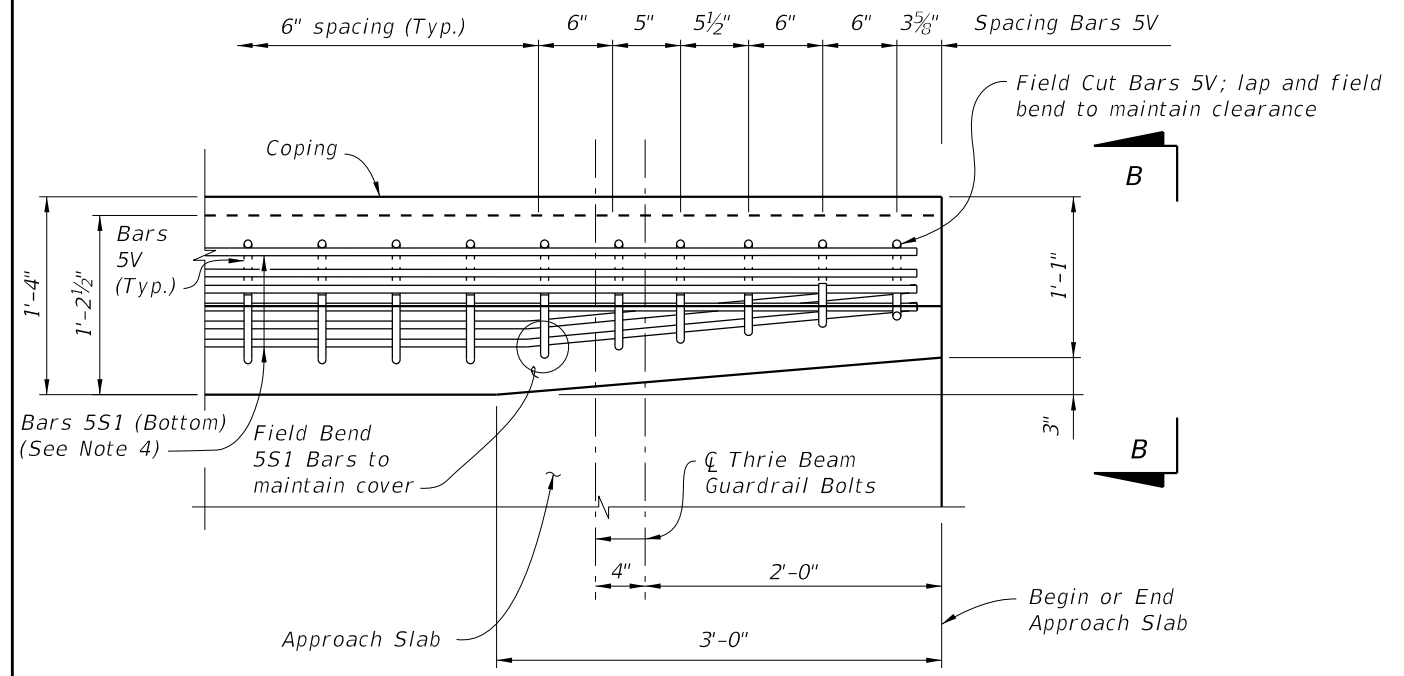
10/6/2022 11:29:15 AM



PLAN - RAILING END TRANSITION
 (Showing Bars 5R, and Bars 5S1) (Bars 5V & Noise Wall Reinforcement not shown for Clarity)

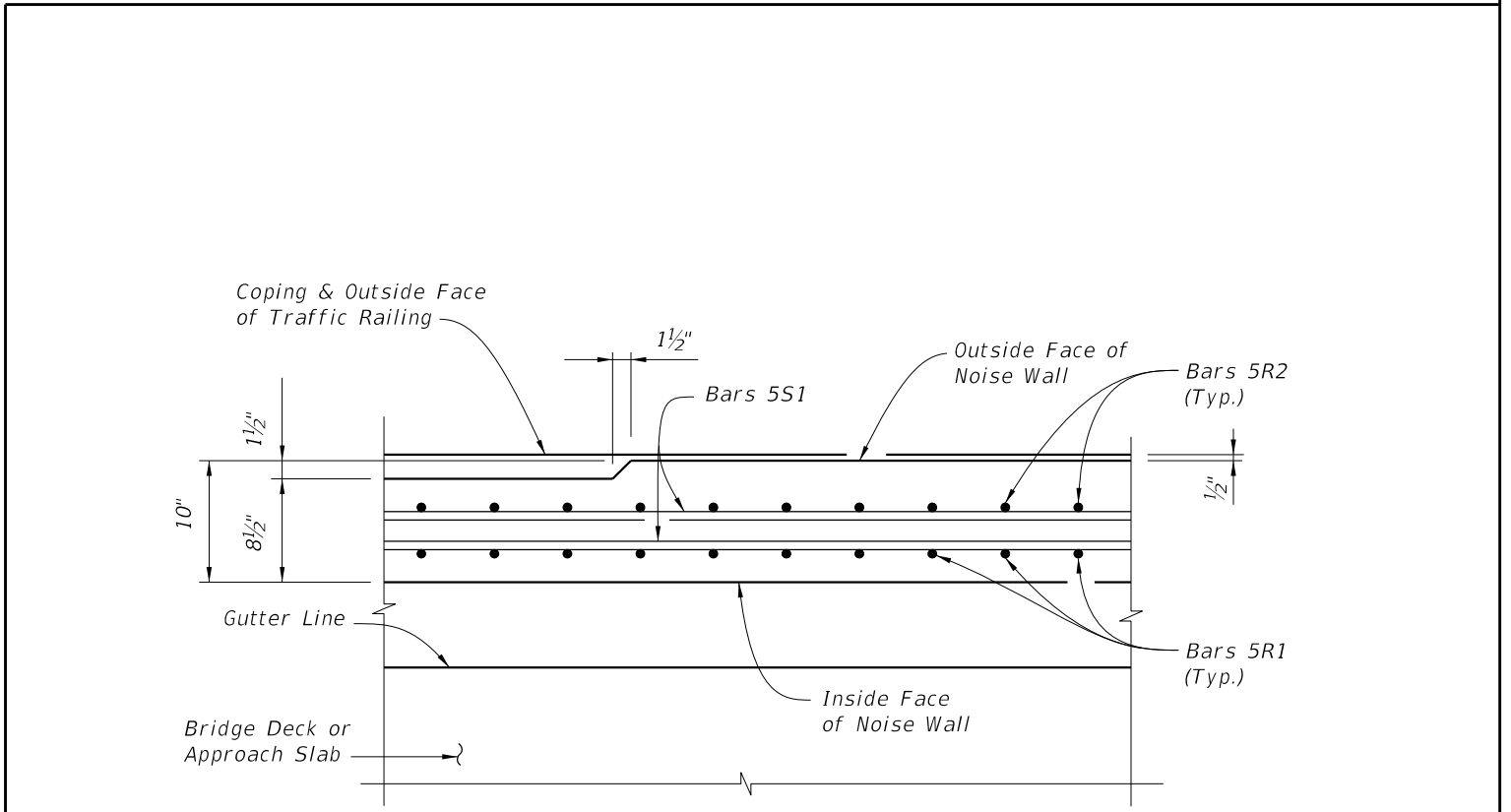
DETAIL "A" NOTES:

1. Begin placing Railing Bars 5V at the railing end and proceed toward the guardrail (thrie beam) terminal connector to ensure placement of guardrail bolt holes. Pair Bars 5R with Bars 5V as shown. Clearance of Bars 5R & 5V to guardrail bolt holes shall be checked to prevent cutting of bars if holes are to be drilled. Shift bars locally where conflicts occur.
2. For Guardrail connection details see Index 536-001.
3. Omit Railing End Transition if a 36" Single-Slope Traffic Railing is used beyond the End Taper. See the Plan Sheets.
4. Field cut Bars 5R2 to maintain cover. Field cut Bars 5V and lap as necessary to maintain cover; field cut & bend Bars 5R1 front leg (more plumb) to maintain cover and tie to S1 Bars.



PLAN - RAILING END TRANSITION
 (Showing Bars 5V and Bars 5S1) (Bars 5R not shown for Clarity)

DETAIL "A"



SECTION C-C
THRU NOISE WALL END TAPER

CROSS REFERENCE:
 For location of Detail "A" see Sheet 1.
 For location of Section C-C see Sheet 1.
 For View B-B see Sheet 3.

10/6/2022 11:29:16 AM

LAST REVISION 11/01/18	REVISION	DESCRIPTION:		FY 2023-24 STANDARD PLANS	TRAFFIC RAILING/NOISE WALL (8'-0") - BRIDGE	INDEX 521-509	SHEET 5 of 5
---------------------------	----------	--------------	--	------------------------------	---	------------------	-----------------