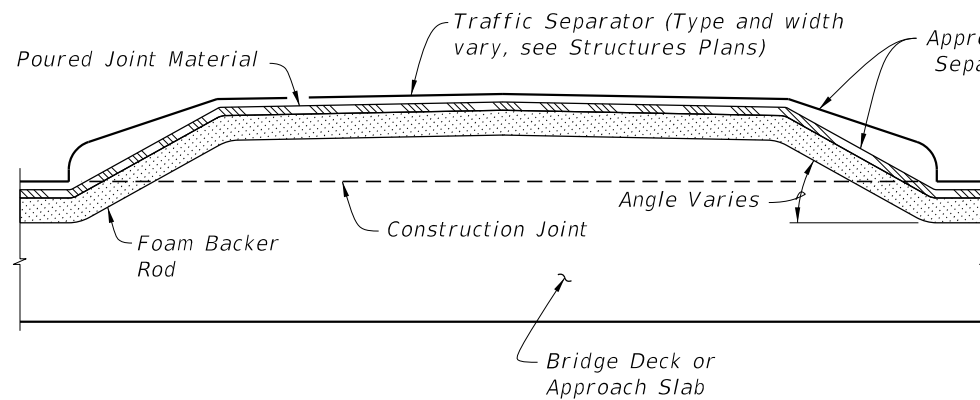
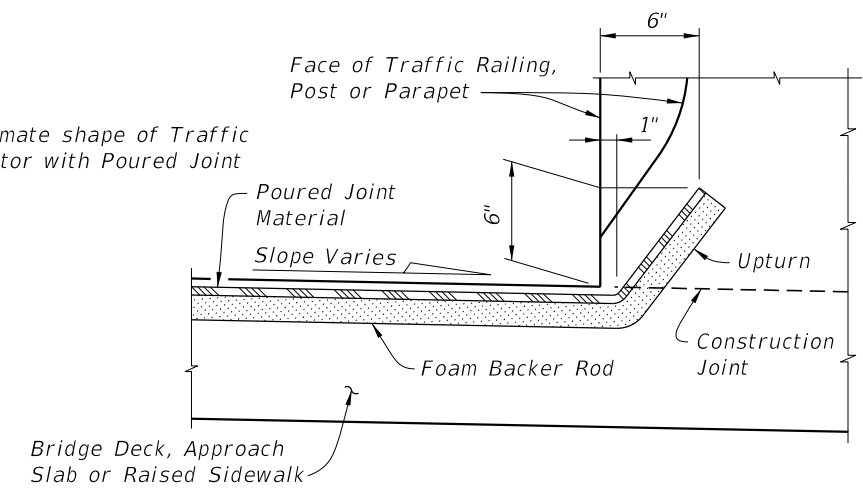


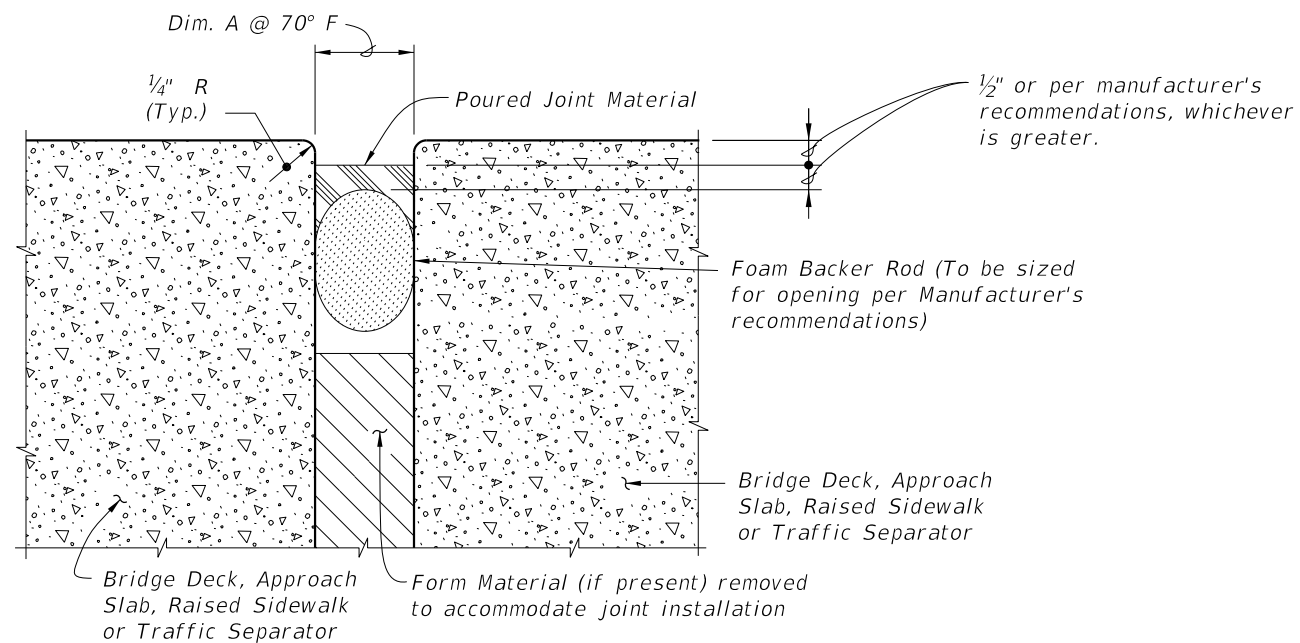
PARTIAL SECTION ALONG Q̄ JOINT  
JOINT TREATMENT AT HIGH SIDE OF  
DECK WITH SLOPES 1% OR GREATER



PARTIAL SECTION ALONG Q̄ JOINT,  
JOINT TREATMENT AT TRAFFIC SEPARATOR



PARTIAL SECTION ALONG Q̄ JOINT  
JOINT TREATMENT AT LOW SIDE OF DECK OR  
HIGH SIDE OF DECK WITH SLOPES < 1%




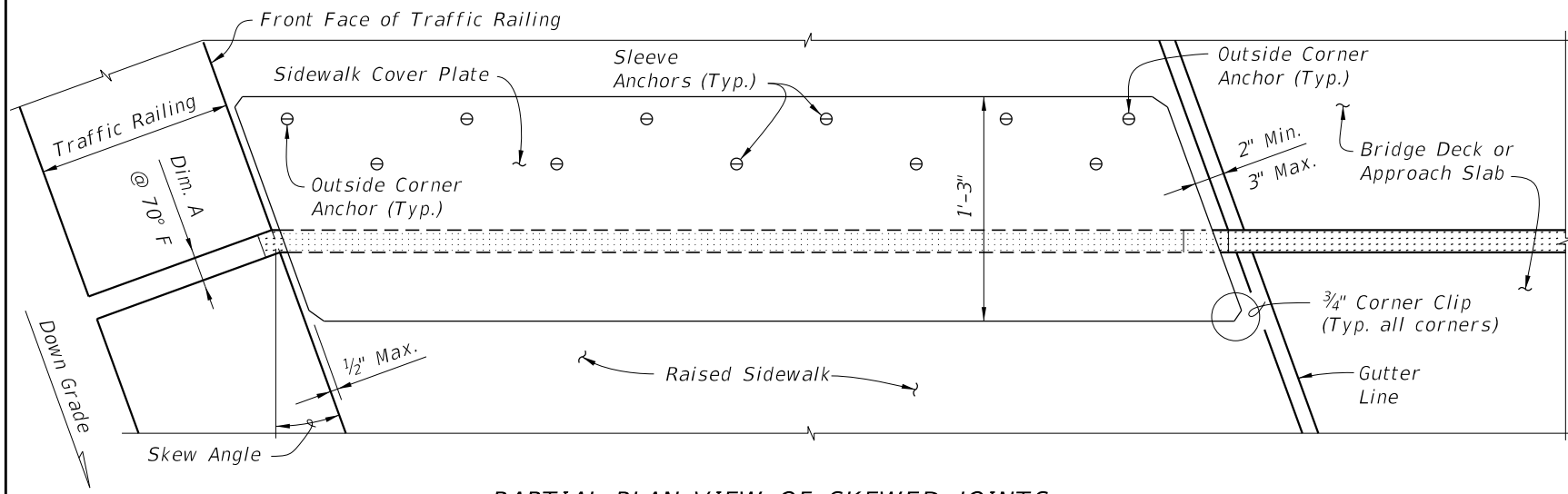
TYPICAL SECTION THRU JOINT

GENERAL NOTES:

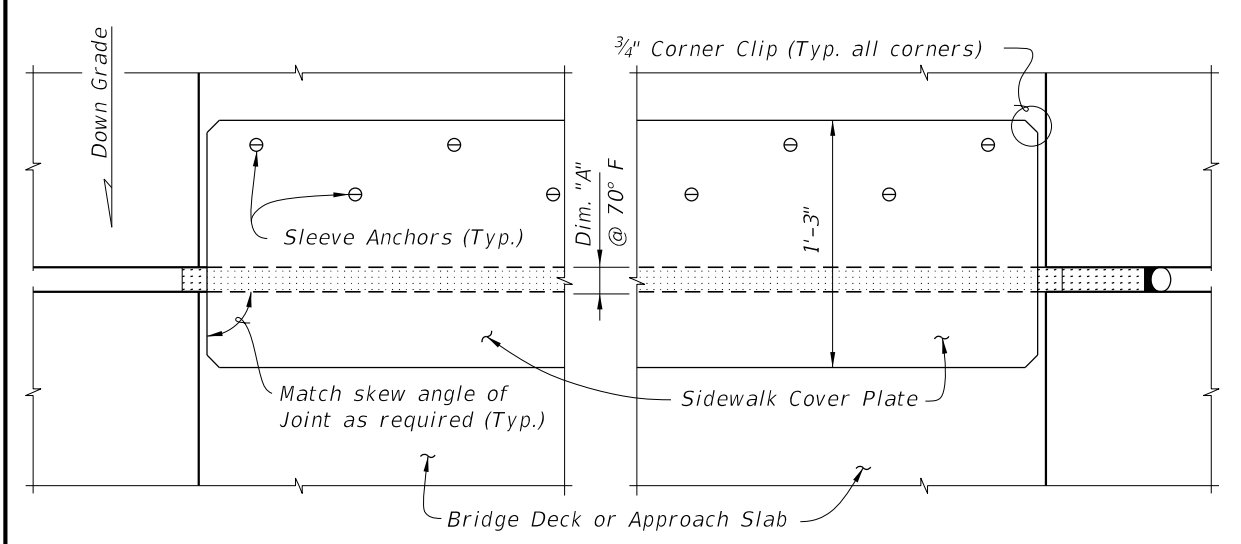
1. Furnish and install Poured Joint With Backer Rod Expansion Joint Systems in accordance with Specification Sections 458 and 932 using Type D silicone sealant material.
2. Refer to the Structures Plans, Poured Expansion Joint Data Table for Dim. A @ 70° F.

10/21/2022 9:34:24 AM

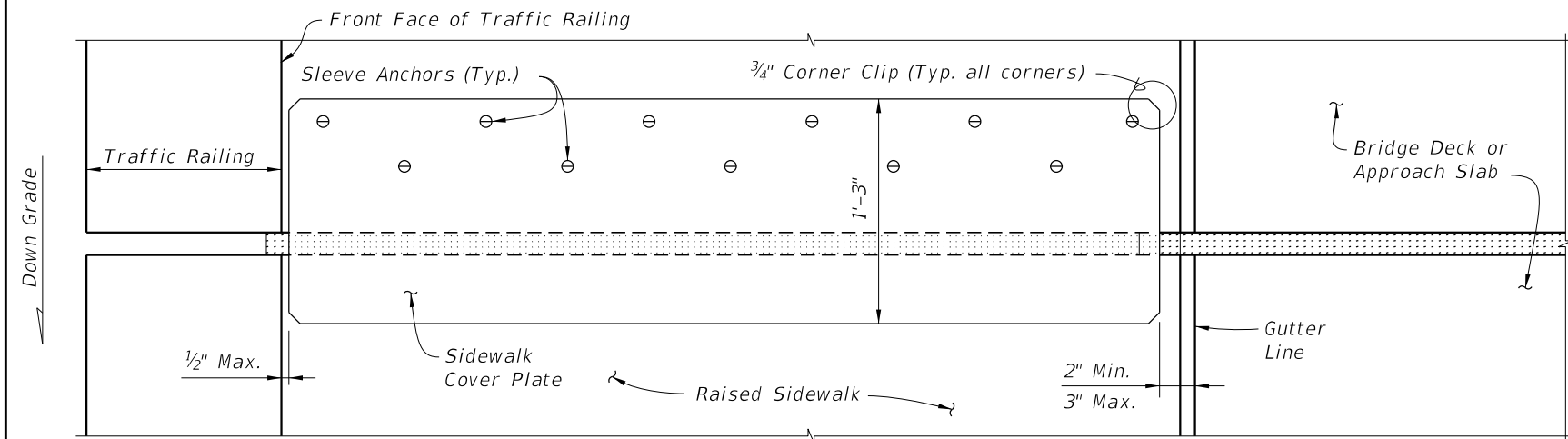
LAST REVISION 07/01/14	REVISION	DESCRIPTION:		FY 2023-24 STANDARD PLANS	EXPANSION JOINT SYSTEM - POURED JOINT WITH BACKER ROD	INDEX 458-110	SHEET 1 of 2
---------------------------	----------	--------------	---	------------------------------	--	------------------	-----------------



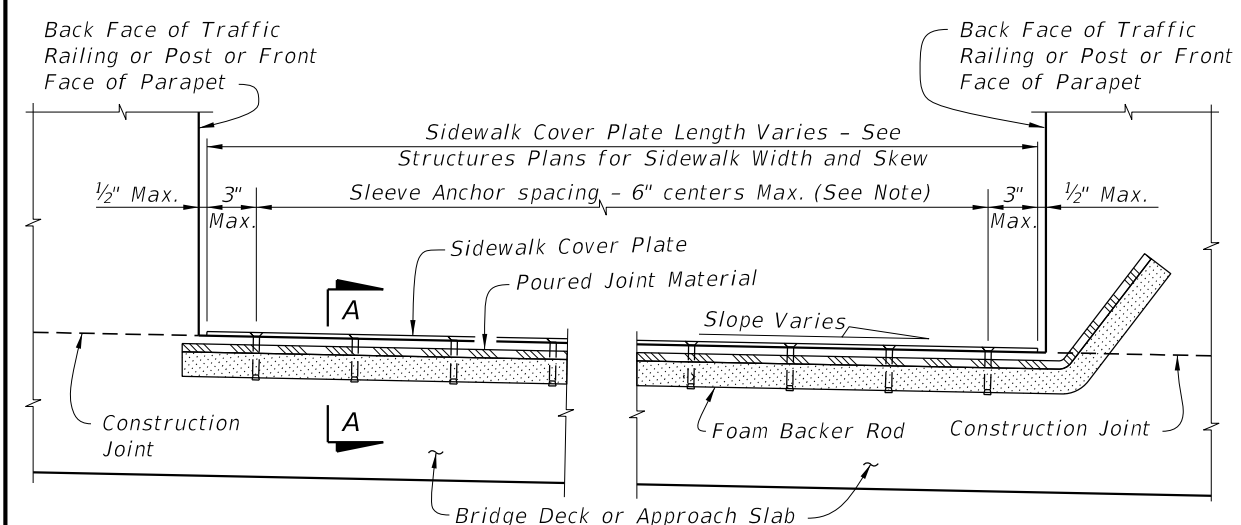
PARTIAL PLAN VIEW OF SKEWED JOINTS



PARTIAL PLAN VIEW

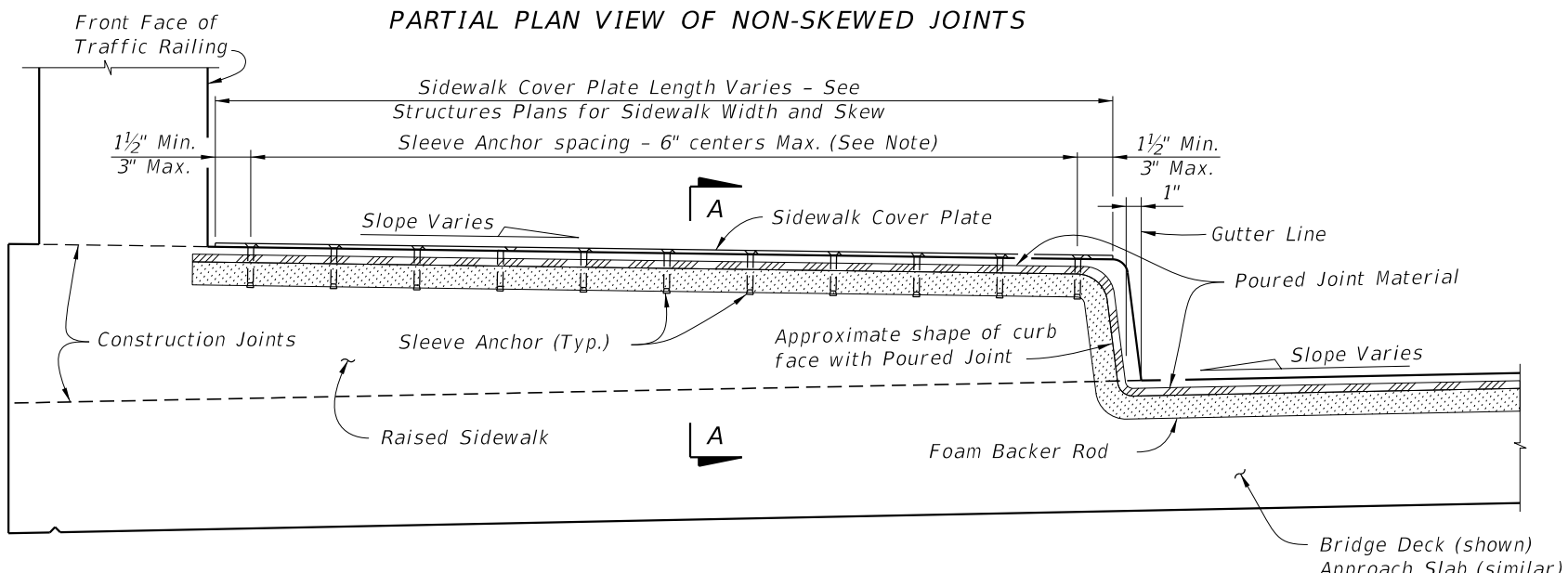


PARTIAL PLAN VIEW OF NON-SKEWED JOINTS



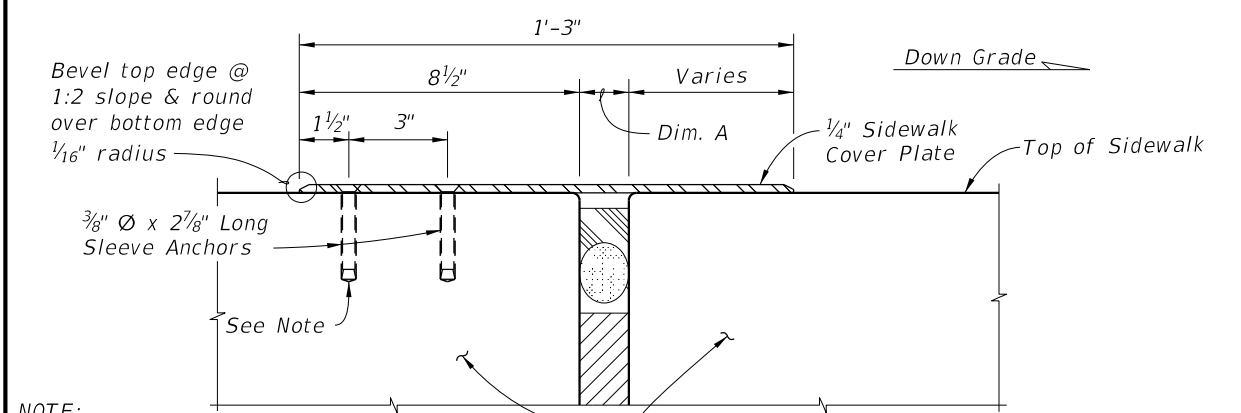
PARTIAL SECTION ALONG Q-JOINT

FLUSH SIDEWALK DETAIL



PARTIAL SECTION ALONG Q-JOINT


RAISED SIDEWALK DETAIL



NOTE:  
Sleeve Anchors are required at the two outside corners of the Sidewalk Cover Plate. Space Sleeve Anchors uniformly between the corner anchors.

SECTION A-A

10/21/2022 9:34:28 AM

LAST REVISION 07/01/13	DESCRIPTION:		FY 2023-24 STANDARD PLANS	<b>EXPANSION JOINT SYSTEM -          POURED JOINT WITH BACKER ROD</b>	INDEX 458-110	SHEET 2 of 2
---------------------------	--------------	---	------------------------------	---	------------------	-----------------