

\*The 45" Ø Void in the pile shall be positively vented to water or air after the final pile installation. If the 3 1/2" Ø vents are included in the pile cut-off section, then venting shall be provided by the use of a 1" Ø PVC conduit through the substructure cap or column.

**ELEVATION**

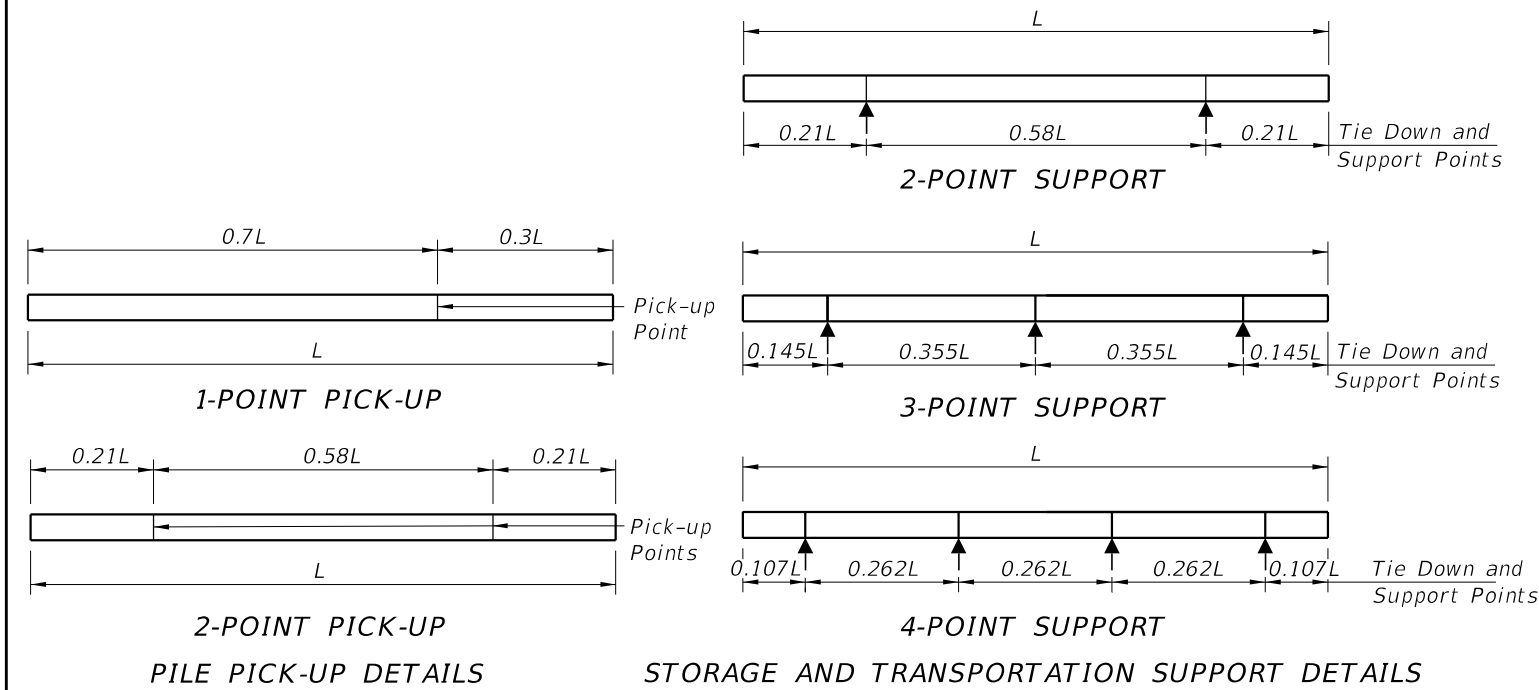
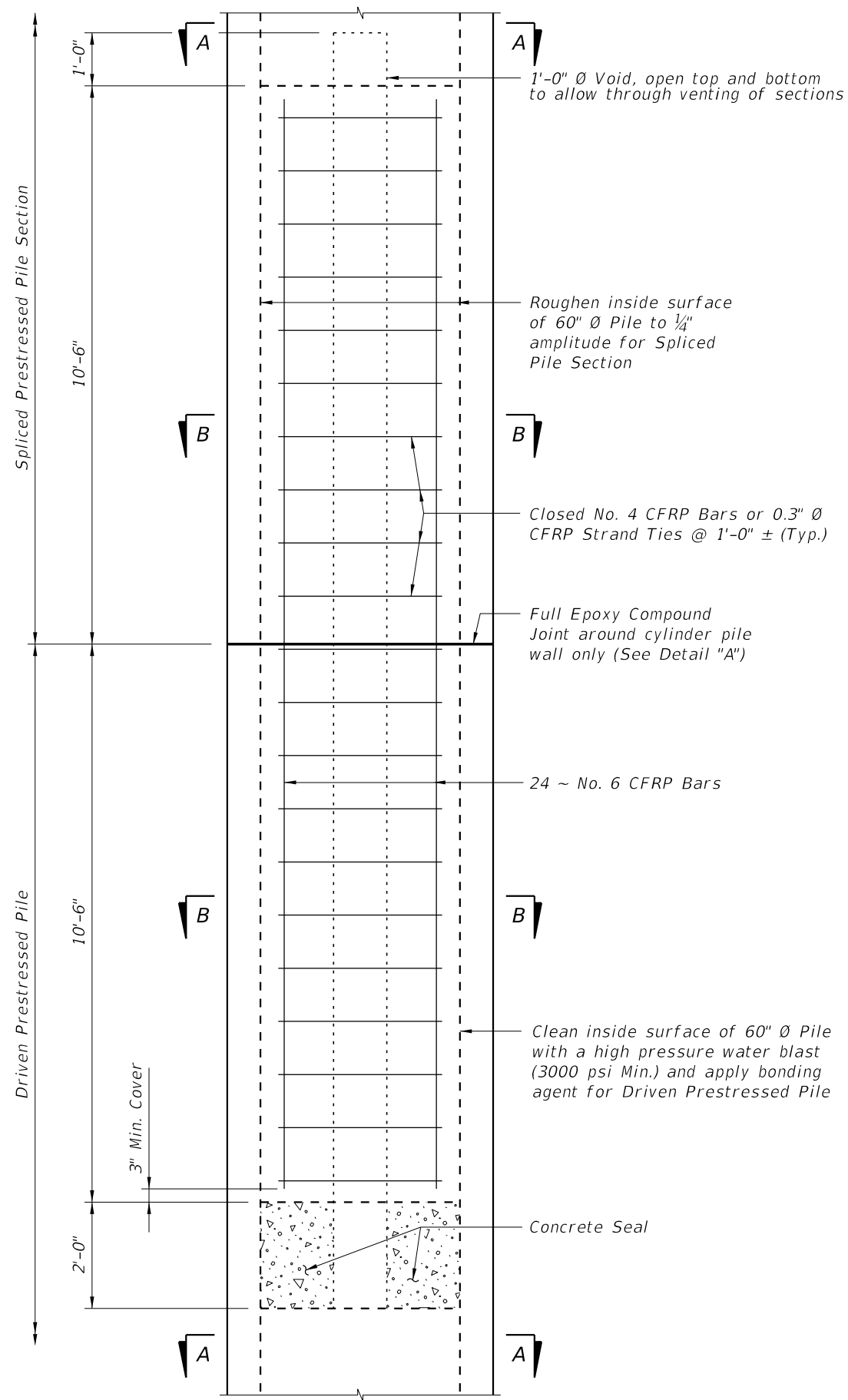


TABLE OF MAXIMUM PILE PICK-UP AND SUPPORT LENGTHS		
Maximum Pile Length (Feet)	Required Storage and Transportation Detail	Pick-Up Detail
122	2, 3, or 4 point	1 Point
174	2, 3, or 4 point	2 Point

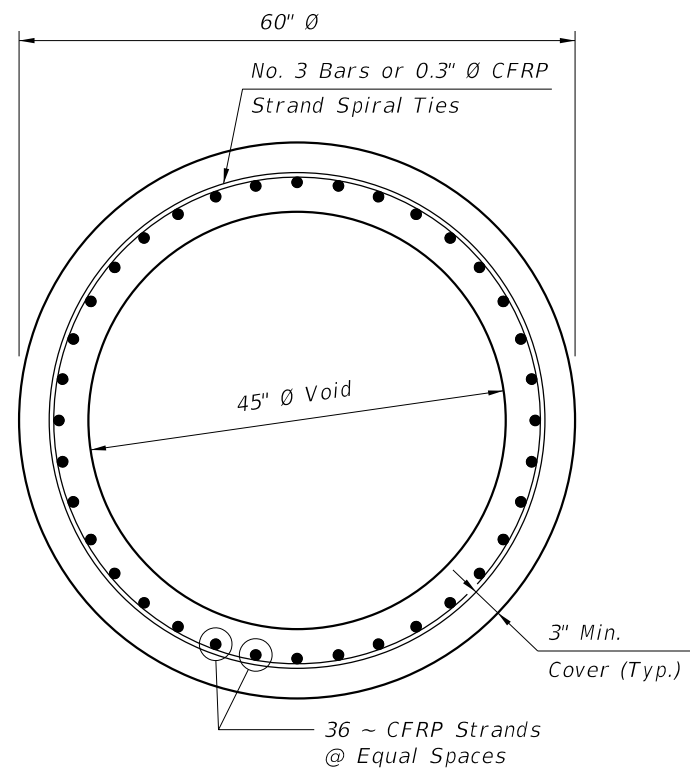
**NOTES**

1. Work this Index with the Pile Data Table in the Structures Plans.
2. Concrete:
  - A. Piles: Class V
  - B. Splice Collar: Class IV
  - C. See "GENERAL NOTES" in the Structures Plans for locations where the use of Highly Reactive Pozzolans is required.
3. Concrete Strength at time of prestress transfer:
  - A. Piles: 4,000 psi minimum.
4. Reinforcing:
  - A. Bars:
    - a. Stainless Steel: Meet the requirements of Specification Section 931 for Type 304, Grade 75.
    - b. Carbon FRP: Meet the requirements of Specification Section 932.
  - B. Prestressing Strands:
    - a. Stainless Steel: Seven-wire HSSS, UNS S32205 (Type 2205) or UNS S31803 strand, meeting the requirements of Specification Section 933.
    - b. Carbon FRP: Meet the requirements of Specification Section 933.
  - C. Spiral Ties:
    - a. One half turn is required for carbon steel spiral splice.
    - b. One full turn is required at the pile head and tip.
5. Pile Splices:
  - A. Epoxy: Type AB Epoxy Compound or Epoxy Mortar must meet the requirements of Specification Section 926.
    - a. Use a Type AB Epoxy Bonding Compound or Epoxy Mortar, as recommended by the Manufacturer, to form the joint between pile sections
    - b. Use a Type AB Epoxy Bonding Compound as a bonding agent on internal pile surfaces.
  - B. Splices: Resume pile driving after the splice concrete reaches a minimum strength of 5,500 psi.
6. Mark piles at the pick-up points to indicate the proper points for attaching handling lines.

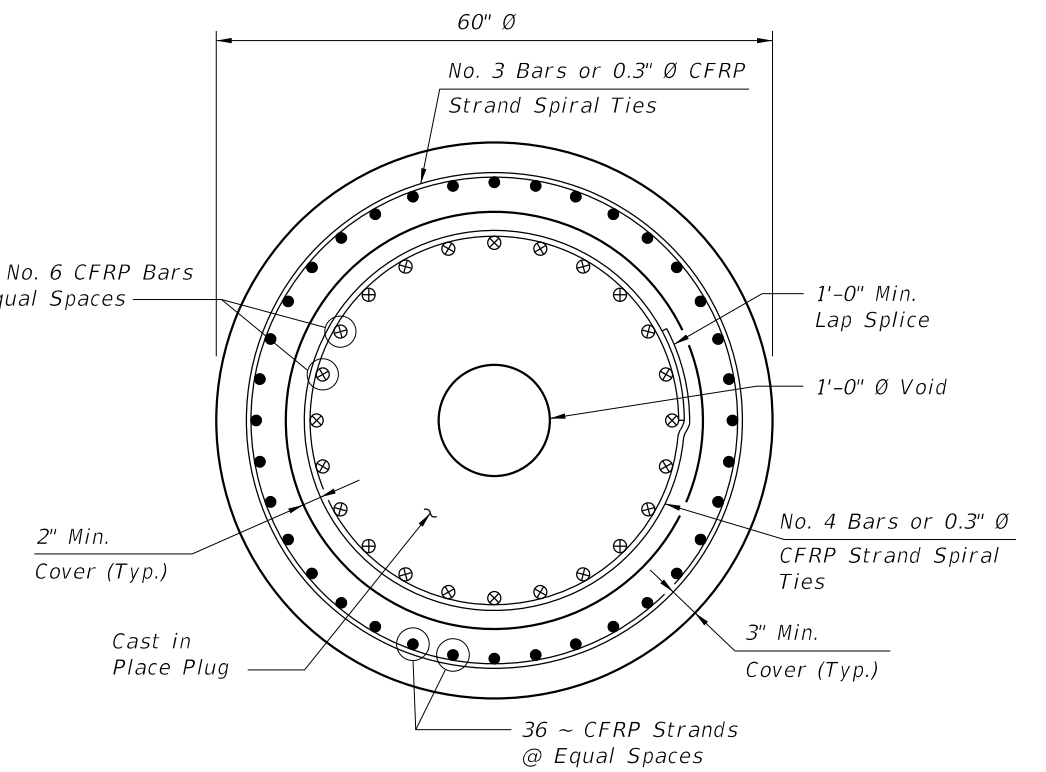
10/6/2022 11:09:48 AM



**DRIVABLE UNFORESEEN FIELD SPLICE DETAIL**  
(Cast in Place Plug)



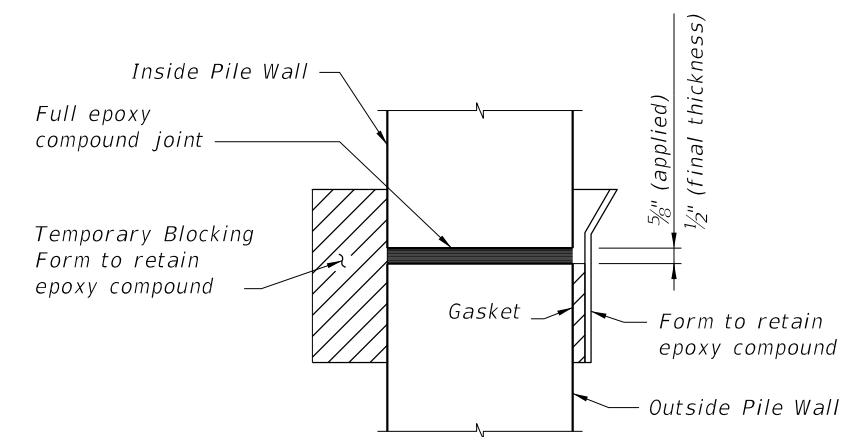
**SECTION A-A**



**SECTION B-B**

**ALTERNATE STRAND PATTERNS**

0.5" Ø, CFRP Single-Strand, at 39 kips  
0.6" Ø, CFRP 7-Strand, at 40 kips



**DETAIL "A"**

10/6/2022 11:09:49 AM

LAST REVISION 01/01/16	DESCRIPTION:
---------------------------	--------------



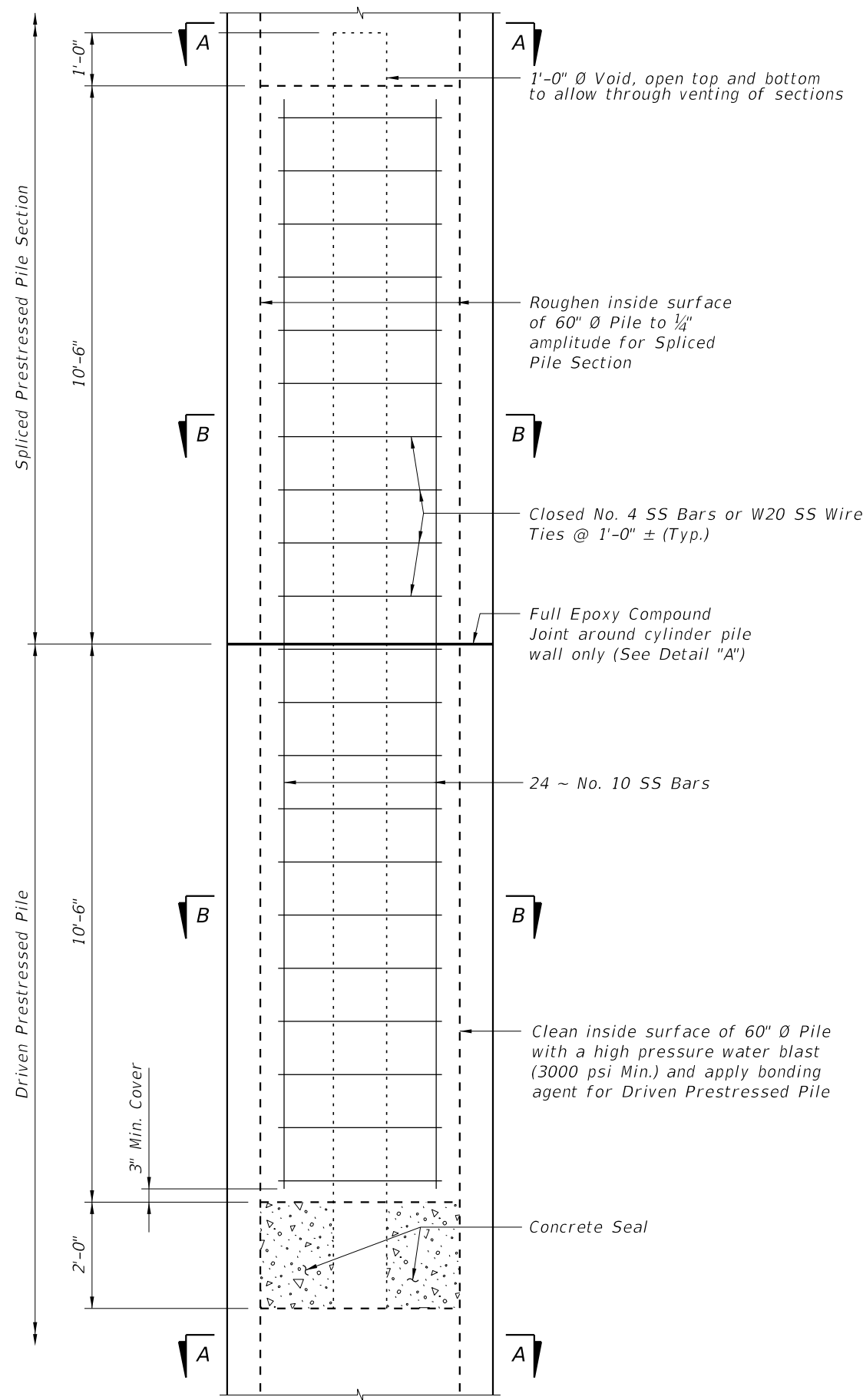
FY 2023-24  
STANDARD PLANS

60" PRESTRESSED CFRP & SS CONCRETE  
CYLINDER PILE

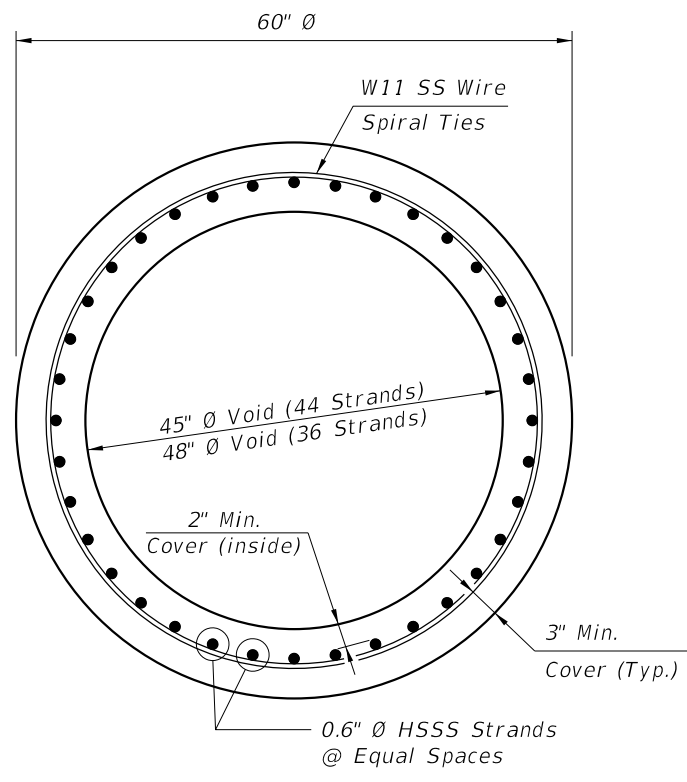
INDEX  
455-160

SHEET  
2 of 3

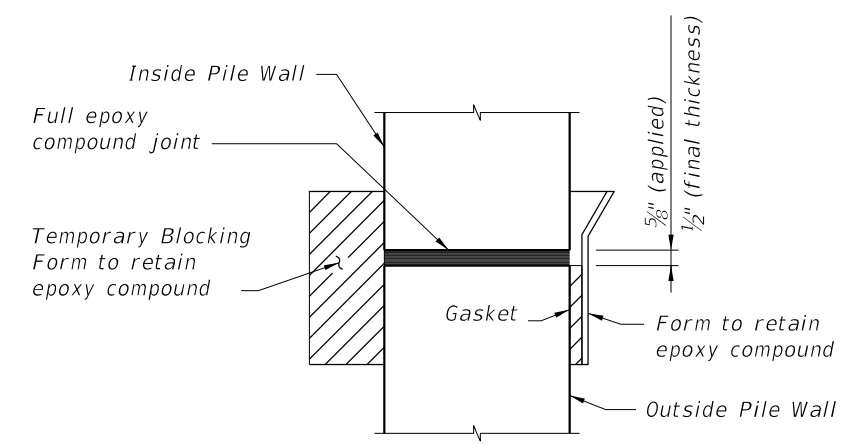
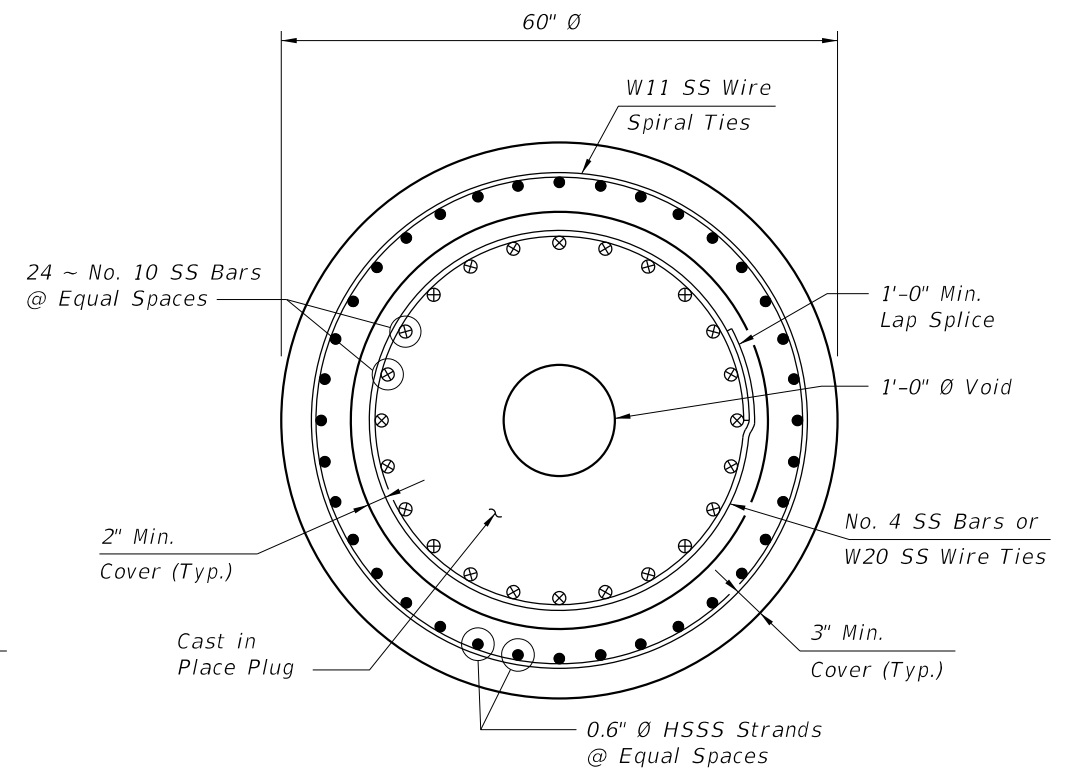
CFRP PRESTRESSED PILE DETAILS



DRIVABLE UNFORESEEN FIELD SPLICE DETAIL  
(Cast in Place Plug)



**ALTERNATE STRAND PATTERNS**  
 44 ~ 0.6"  $\emptyset$ , HSSSS Strand, at 36 kips  
 36 ~ 0.6"  $\emptyset$ , HSSSS Strand, at 36 kips



SS PRESTRESSED PILE DETAILS

10/6/2022 11:09:50 AM

LAST REVISION 01/01/16	DESCRIPTION:
---------------------------	--------------



60" PRESTRESSED CFRP & SS CONCRETE CYLINDER PILE

INDEX 455-160	SHEET 3 of 3
------------------	-----------------