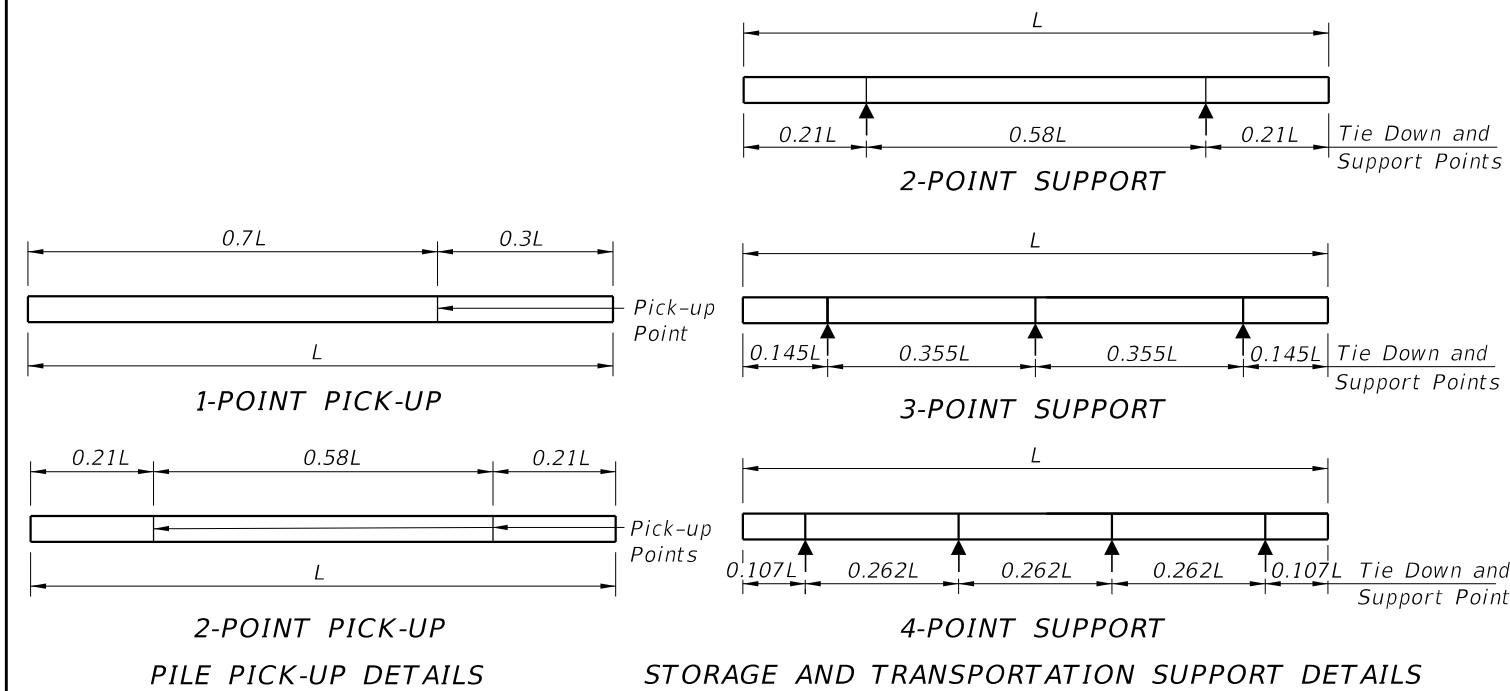


ELEVATION



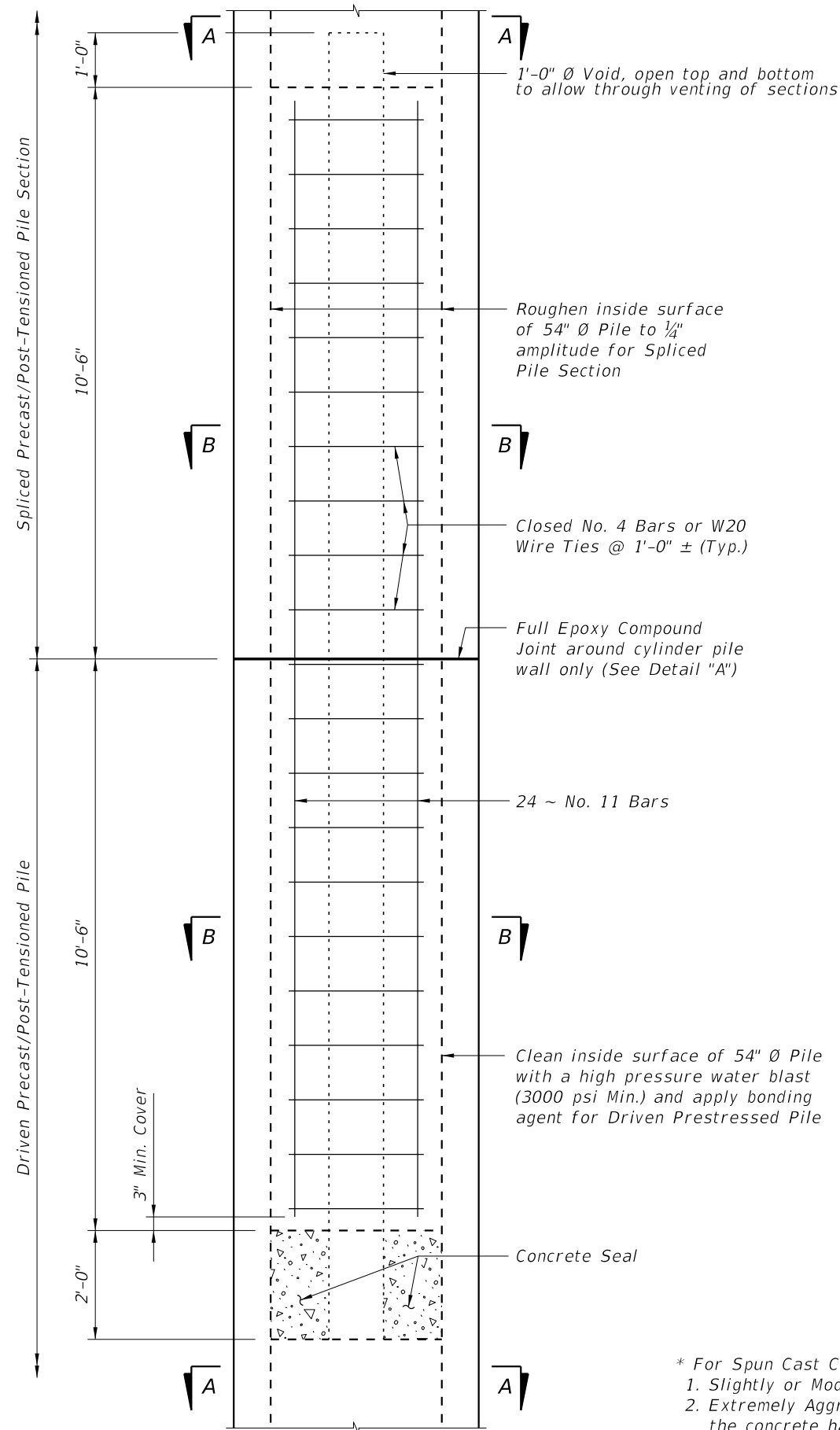
NOTES

1. Work this Index with the Pile Data Table in the Structures Plans.
2. Concrete:
  - A. Piles: Class V.
  - B. Splice: Class IV.
  - C. See "GENERAL NOTES" in Structures Plans for locations where the use of Highly Reactive Pozzolans is required.
3. Concrete Strength at time of prestress transfer:
  - A. Piles: 6,000 psi minimum.
4. Carbon-Steel Reinforcing:
  - A. Bars: Meet the requirements of Specification Section 415.
  - B. Prestressing Strands: Meet the requirements of Specification Section 933.
  - C. Tendons: Two seven-wire 1/2" dia. (Special) Grade 270, low-relaxation strands tensioned to 33.8 kips.
  - D. Protect all carbon-steel strands permanently exposed to the environment and not embedded under final conditions in accordance with Specification Section 450.
  - E. Spiral Ties:
    - a. One half turn is required for carbon-steel spiral splice.
    - b. One full turn is required at the pile head and tip.
5. Pile Splices:
  - A. Epoxy: Type AB Epoxy Compound or Mortar must meet the requirements of Specification Section 926.
    - a. Use a Type AB Epoxy Bonding Compound or Epoxy Mortar, as recommended by the Manufacturer, to form the joint between pile sections
    - b. Use a Type AB Epoxy Bonding Compound as a bonding agent on internal pile surfaces.
  - B. Driving: Resume pile driving after splice concrete reaches a minimum strength of 5,500 psi.
6. Mark piles at the pick-up points to indicate the proper points for attaching handling lines.

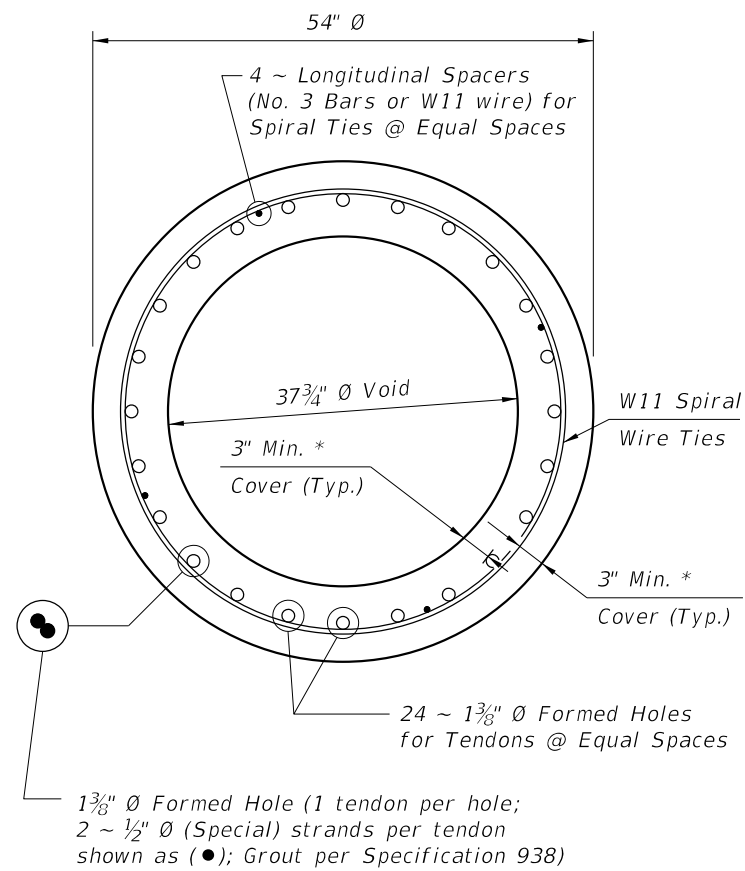
TABLE OF MAXIMUM PILE PICK-UP AND SUPPORT LENGTHS

Maximum Pile Length (Feet)	Required Storage and Transportation Detail	Pick-Up Detail
119	2, 3, or 4 point	1 Point
170	2, 3, or 4 point	2 Point

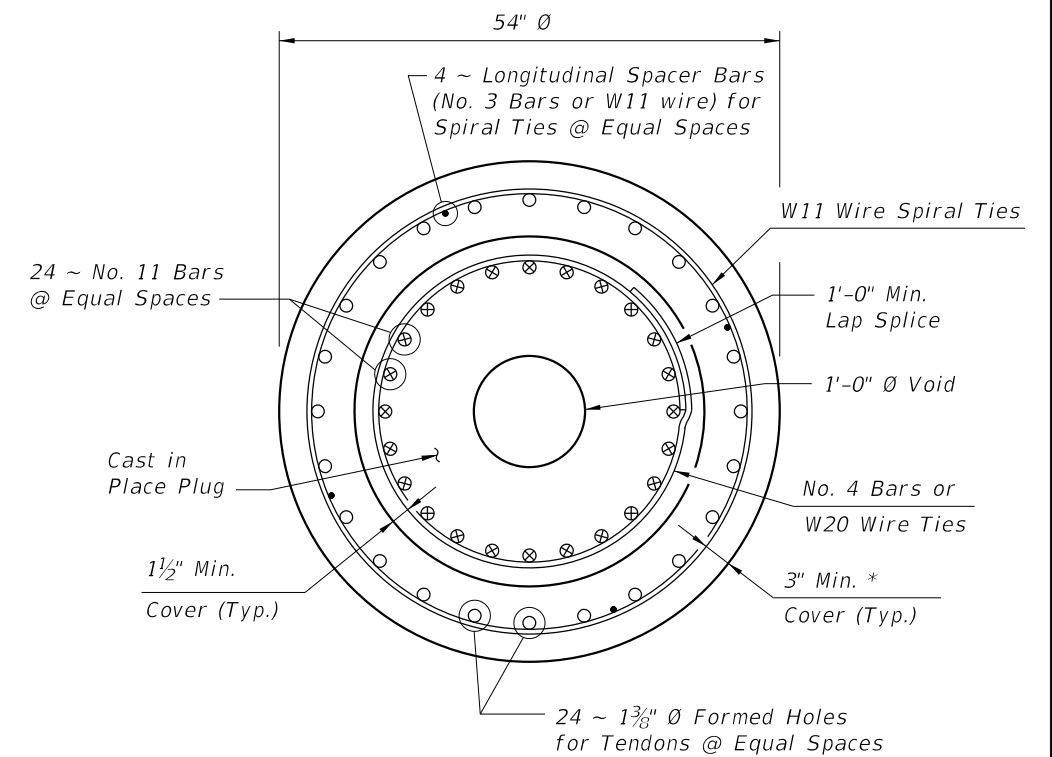
10/6/2022 11:06:48 AM



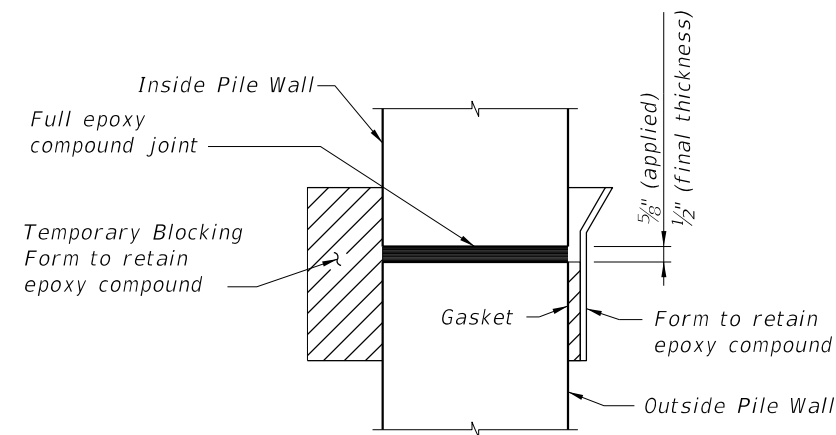
**DRIVABLE UNFORESEEN FIELD SPLICE DETAIL**  
(Cast-In-Place Plug)



**SECTION A-A**




**SECTION B-B**



**DETAIL "A"**

\* For Spun Cast Cylinder Piles, the following requirements for concrete cover apply:  
 1. Slightly or Moderately Aggressive Environments: The concrete cover may be reduced to 2 inches.  
 2. Extremely Aggressive Environments: The concrete cover may be reduced to 2 inches as long as the concrete has a documented chloride ion penetration apparent diffusion coefficient with a mean value of 0.005 in<sup>2</sup> per year or less; otherwise, a 3-inch concrete cover is required.

10/6/2022 11:06:48 AM

LAST REVISION 07/01/13	REVISION	DESCRIPTION:		FY 2023-24 <b>STANDARD PLANS</b>	<b>54" PRECAST/POST-TENSIONED CONCRETE          CYLINDER PILE</b>	INDEX <b>455-054</b>	SHEET <b>2 of 2</b>
---------------------------	----------	--------------	---	-------------------------------------	---	-------------------------	------------------------