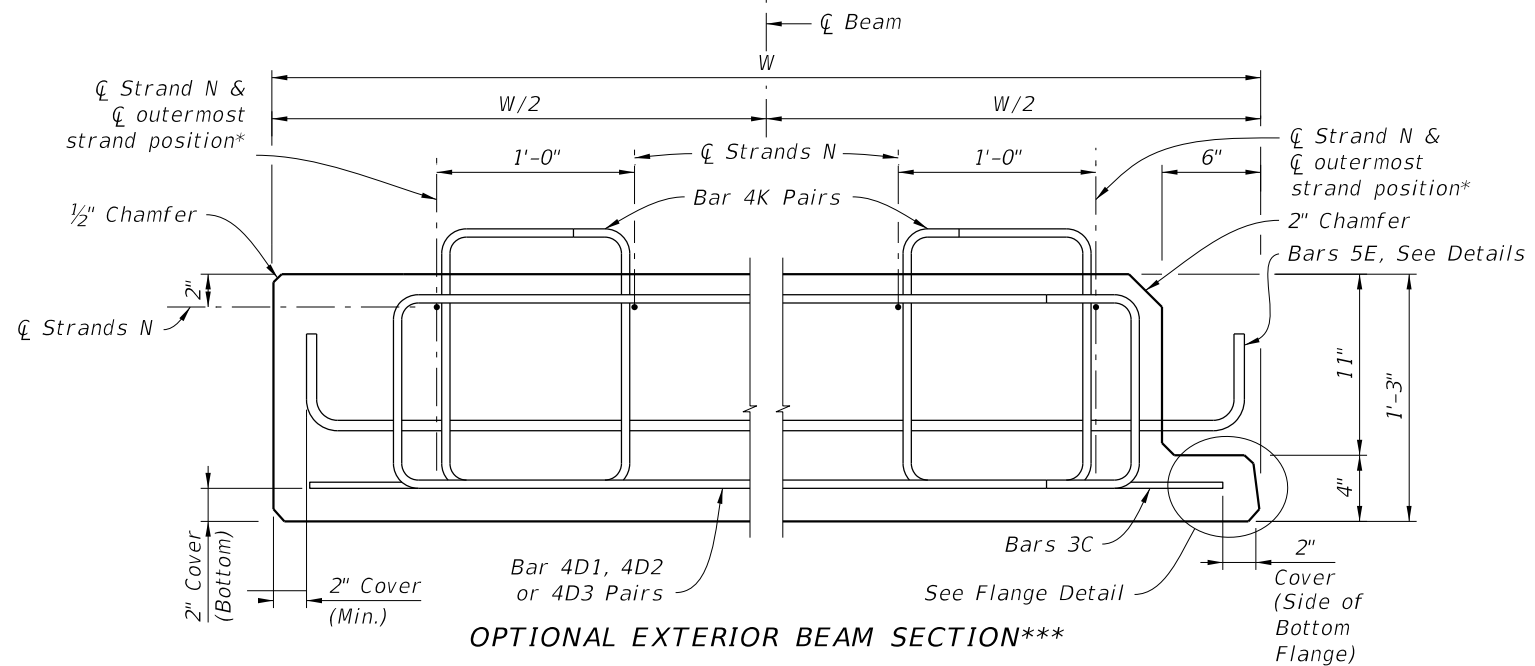


TYPICAL SECTION
(INTERIOR BEAM SHOWN; EXTERIOR BEAM SIMILAR, SEE BARS 5E DETAILS)



OPTIONAL EXTERIOR BEAM SECTION***

*** At the Contractor's option, the Optional Exterior Beam Section may be used.

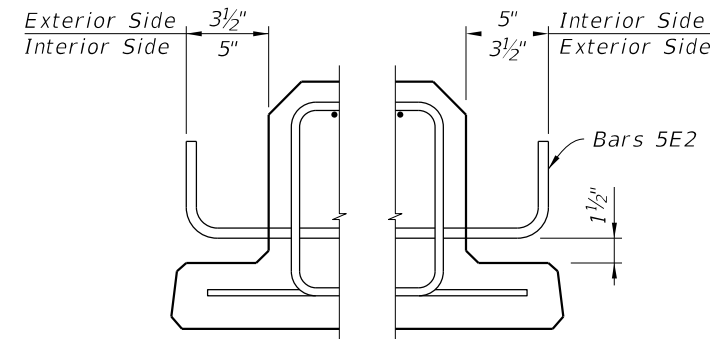
NOTES:
Work this Index with Index 450-450 and Florida Slab Beams - Table of Variables in Structures Plans.

For Dimensions C, D, E, L, R, W & Y and Angle θ , see Florida Slab Beam - Table of Variables in Structures Plans.

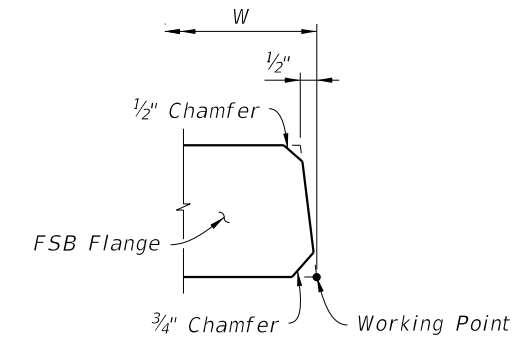
For referenced notes, see Index 450-450, Sheet 1.

* For ϕ of outermost strand positions, see corresponding Strand Pattern on Florida Slab Beams - Table of Variables in Structures Plans.

** At the Contractor's option, the Detail as shown for Interior Beams may be used for Exterior Beams and the Bars 5E field bent on the exterior side of the Beam to provide the specified cover to the coping line.



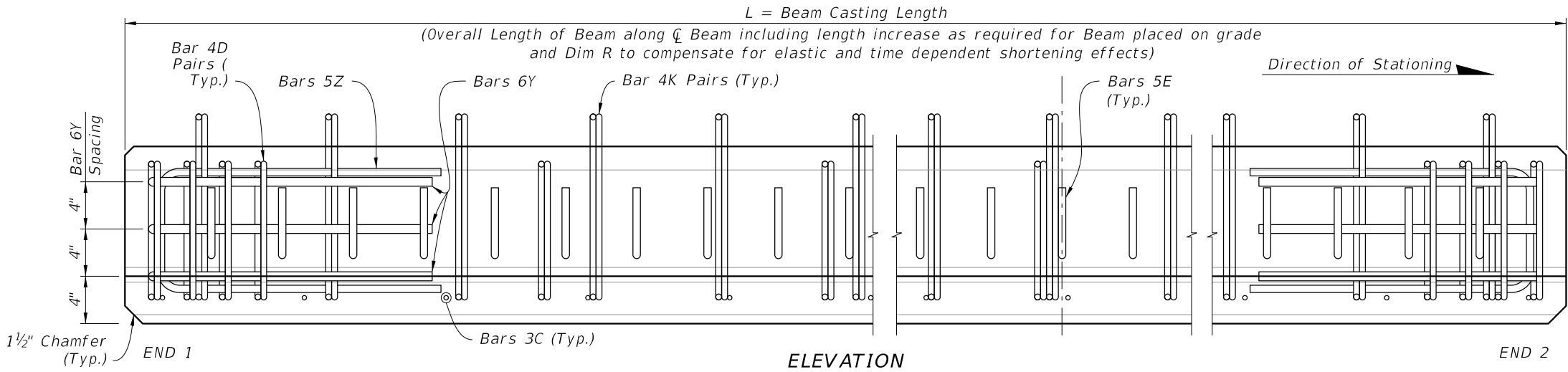
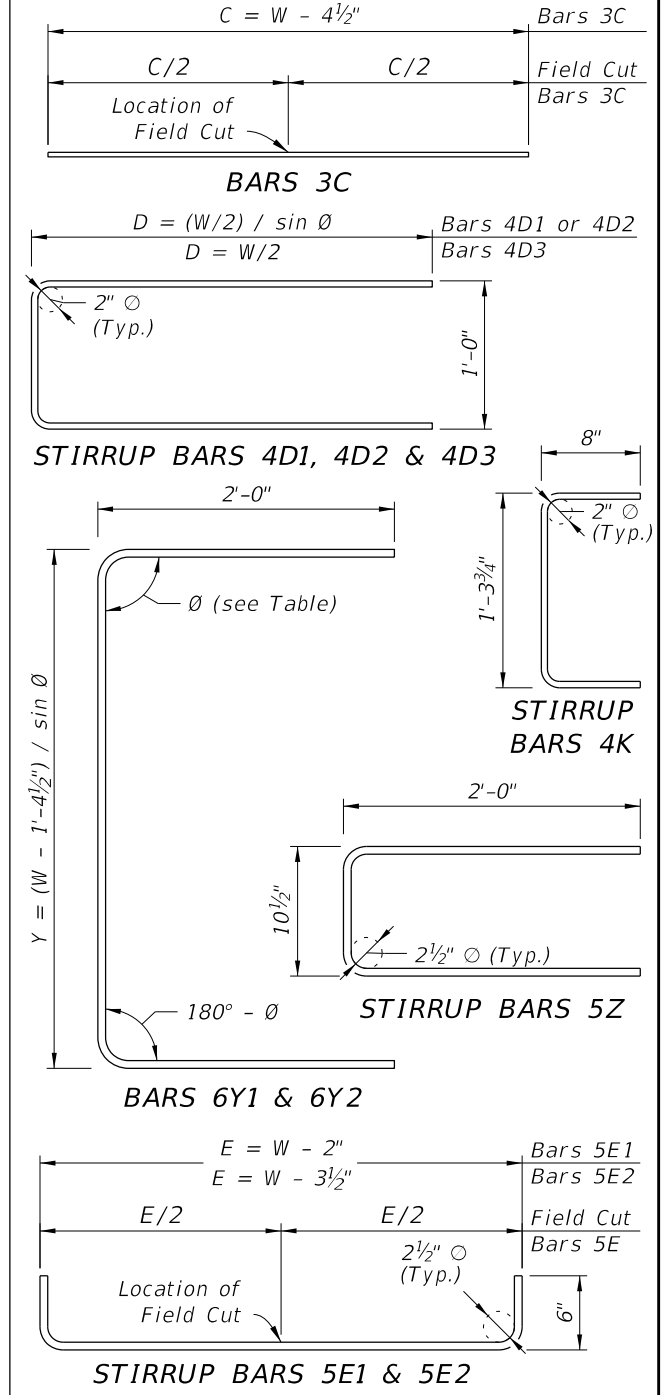
EXTERIOR BEAMS
BARS 5E DETAIL**



FLANGE DETAIL
(TYPICAL BOTH SIDES OF FSB)

| BILL OF REINFORCING STEEL FOR ONE BEAM ONLY | | | | |
|---|------------|--------------|-----------------|-----------------|
| MARK | SIZE | NOTE NUMBERS | NUMBER REQUIRED | LENGTH (NOTE 1) |
| C | 3 | | See Table | Varies |
| D1 | 4 | 6 | 10 (End 1) | Varies |
| D2 | 4 | 6 | 10 (End 2) | Varies |
| D3 | 4 | | See Table | Varies |
| E1 | 5 | 7 | See Table | Varies |
| E2 | 5 | 7 | See Table | Varies |
| K | 4 | | See Table | 2'-8" |
| N | See Note 3 | 3 | 4 | Varies |
| Y1 | 6 | 6 | 3 (End 1) | Varies |
| Y2 | 6 | 6 | 3 (End 2) | Varies |
| Z | 5 | | 6 | 4'-10 1/2" |

BENDING DIAGRAMS (See Note 1)



ELEVATION

10/6/2022 11:01:24 AM