
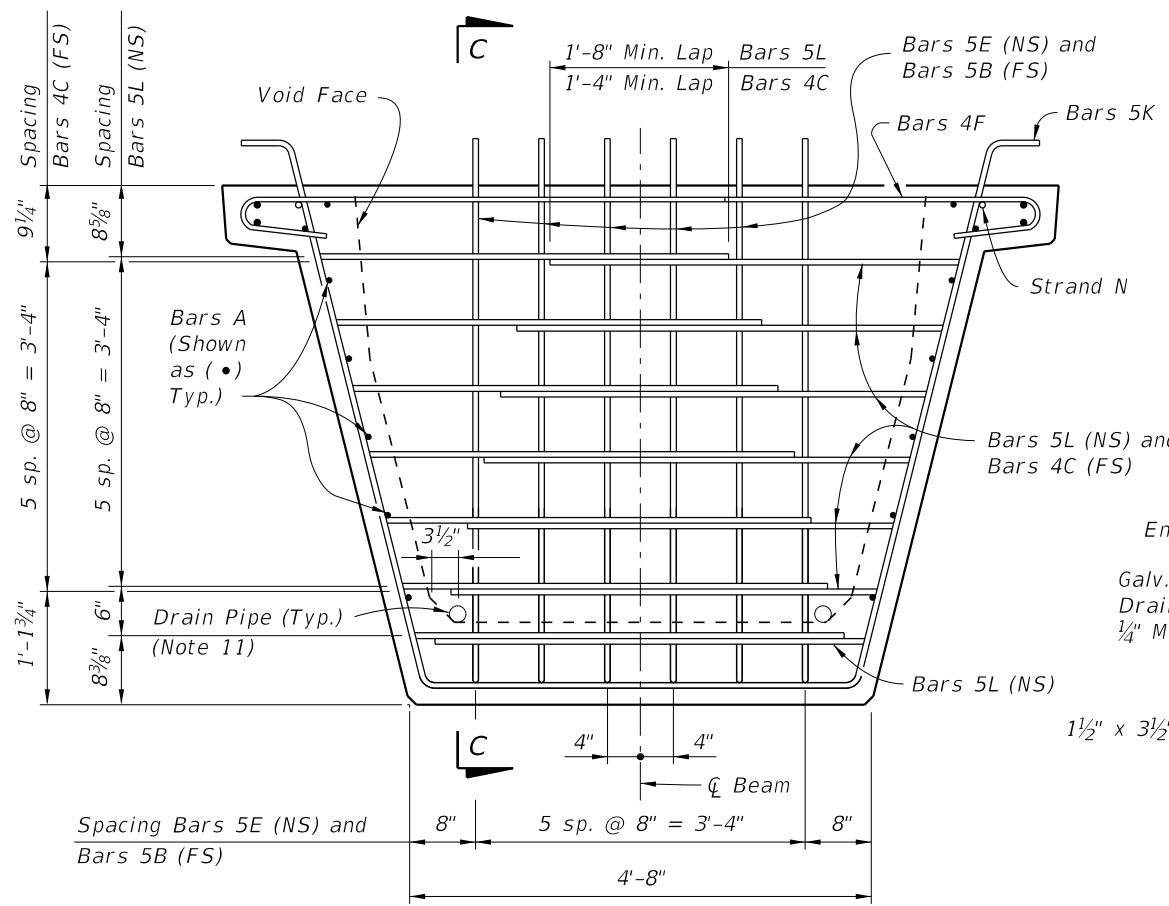
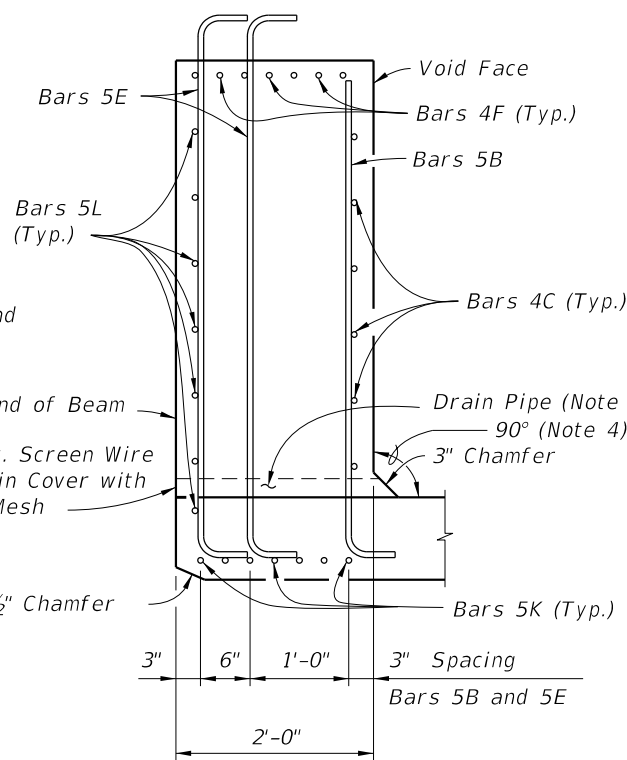


10/16/2022 10:59:28 AM

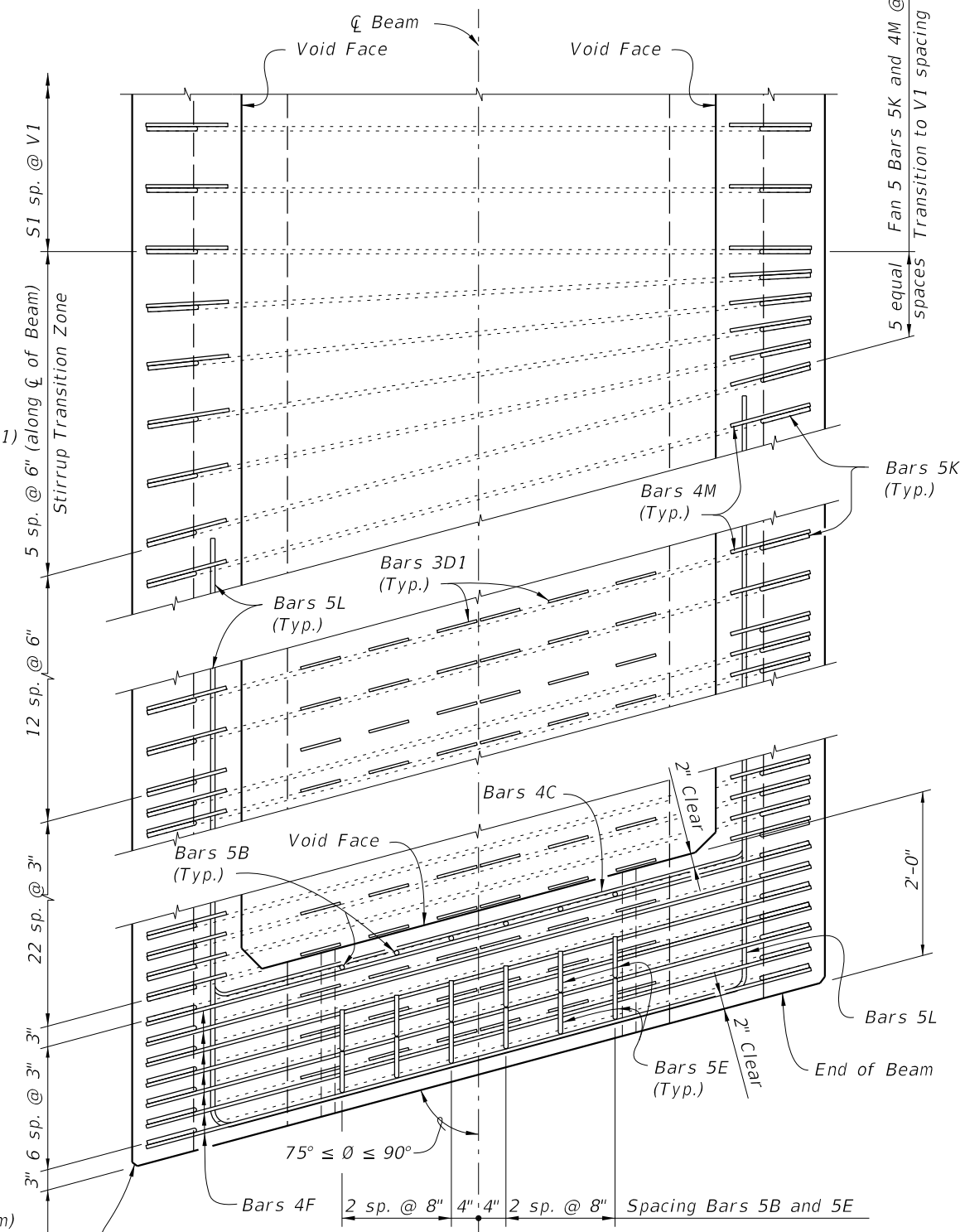
LAST REVISION 11/01/16	DESCRIPTION:	 <b>FY 2023-24 STANDARD PLANS</b>	<b>FLORIDA-U 63 BEAM - STANDARD DETAILS</b>	INDEX <b>450-263</b>	SHEET <b>1 of 3</b>
---------------------------	--------------	--	---	-------------------------	------------------------



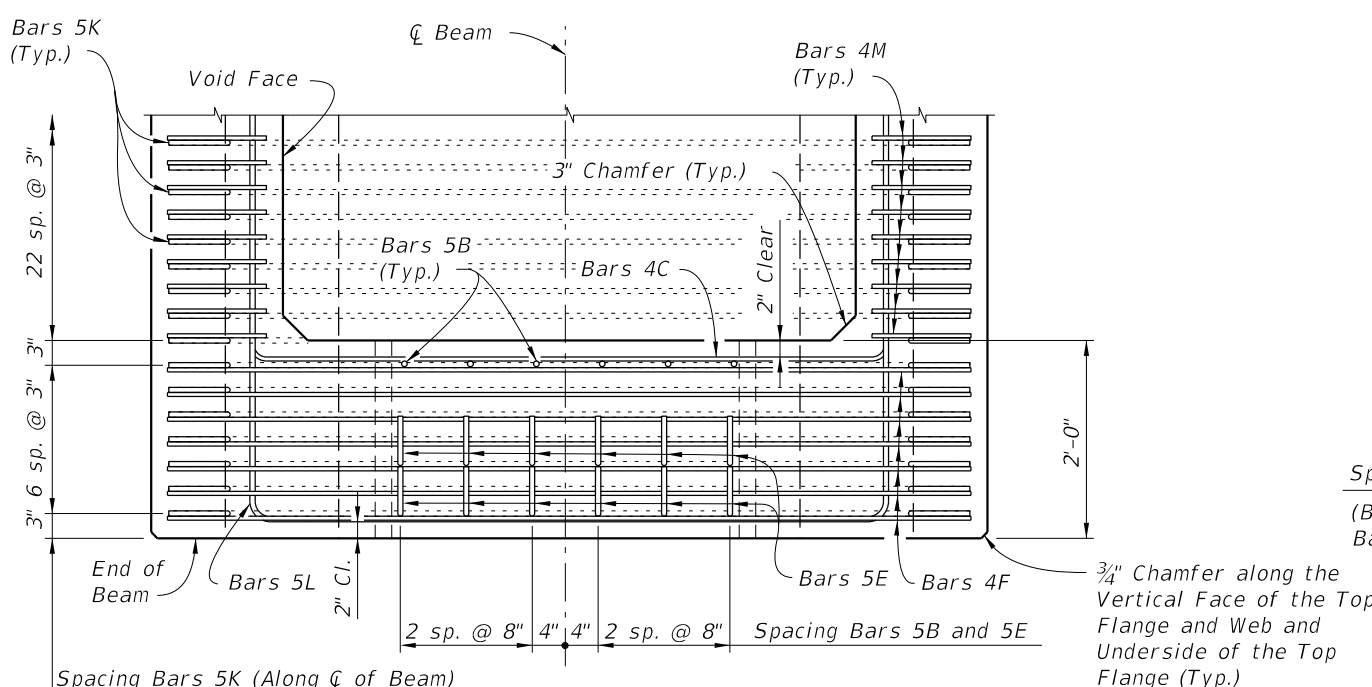
END VIEW AT END DIAPHRAGM



SECTION C-C



TOP VIEW OF SKEWED END DIAPHRAGM AND STIRRUP TRANSITION ZONE (Bars 3D2 Not Shown For Clarity)




TOP VIEW OF END DIAPHRAGM (Bars 3D1 And 3D2 Not Shown For Clarity)

Spacing Bars 5K (Along  $\phi$  of Beam)  
(Bars 4F and 4M are Paired with Bars 5K as shown)

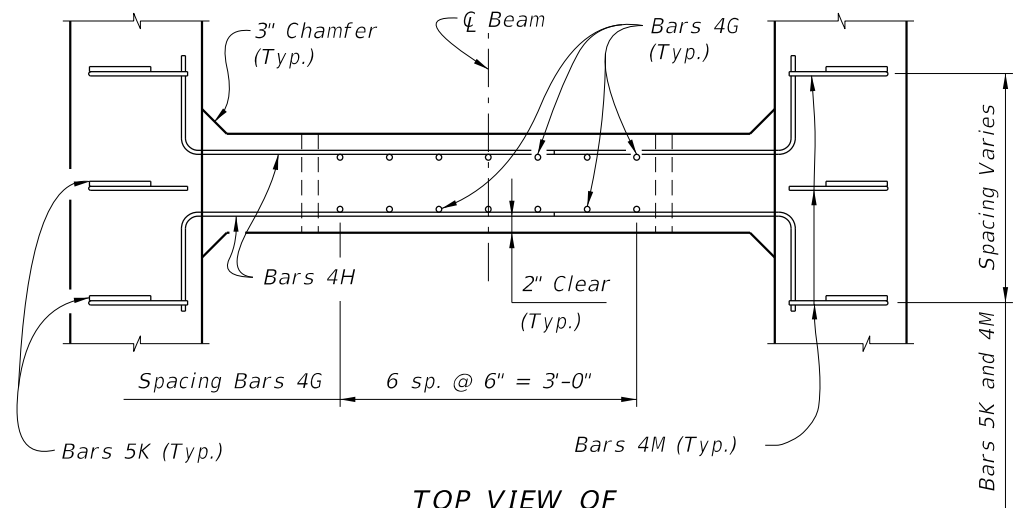
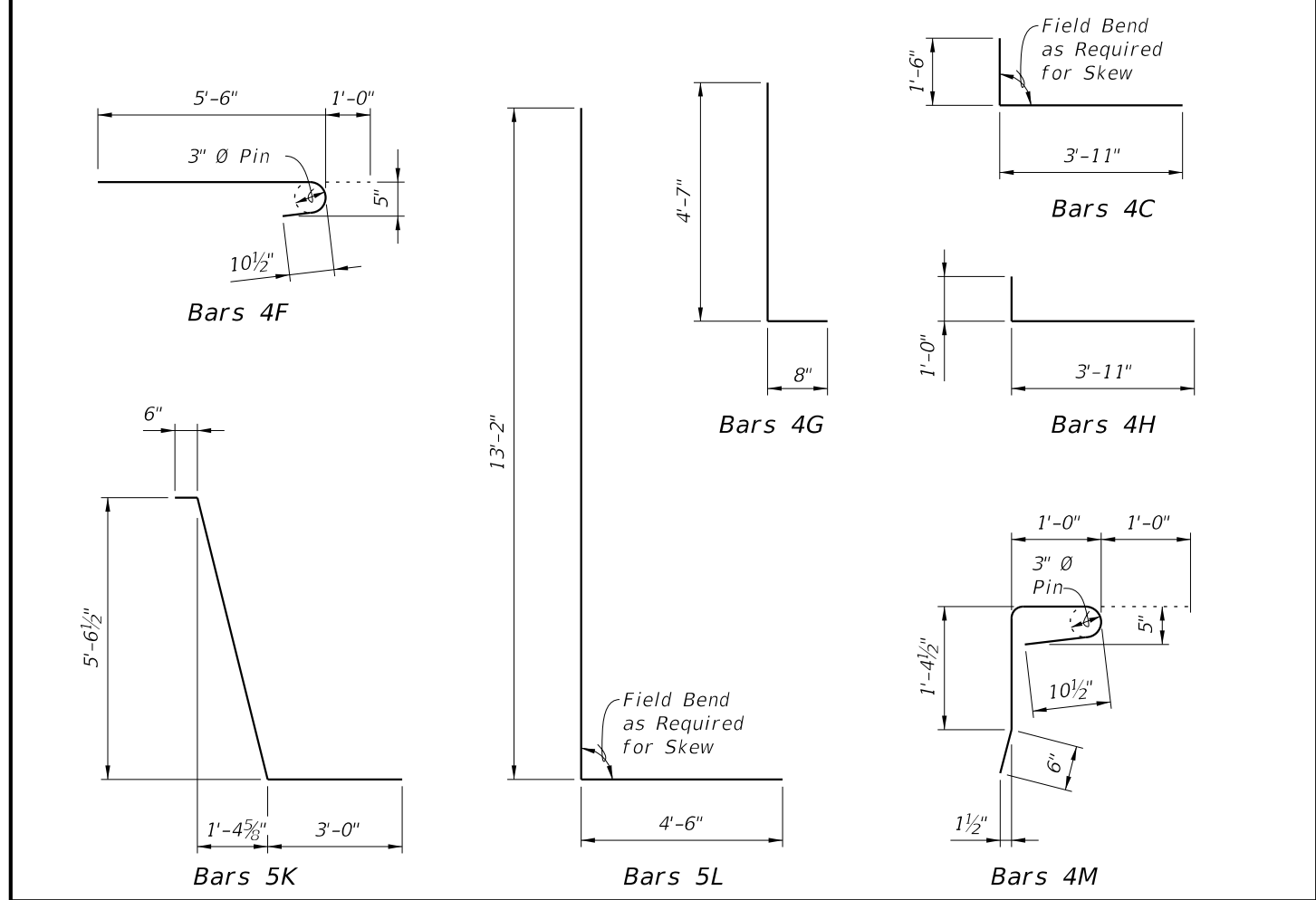
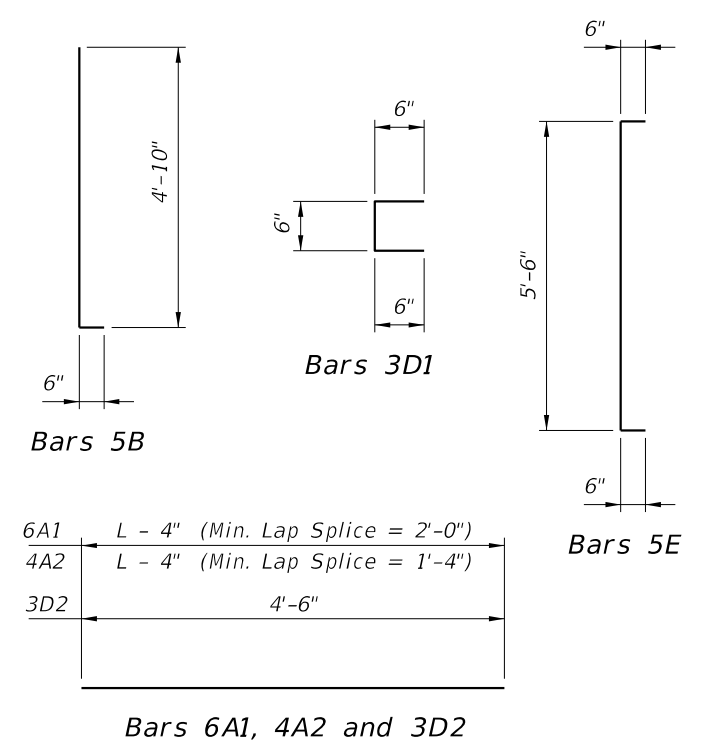
NOTES:  
For referenced note see Index 450-210.

10/16/2022 10:59:29 AM

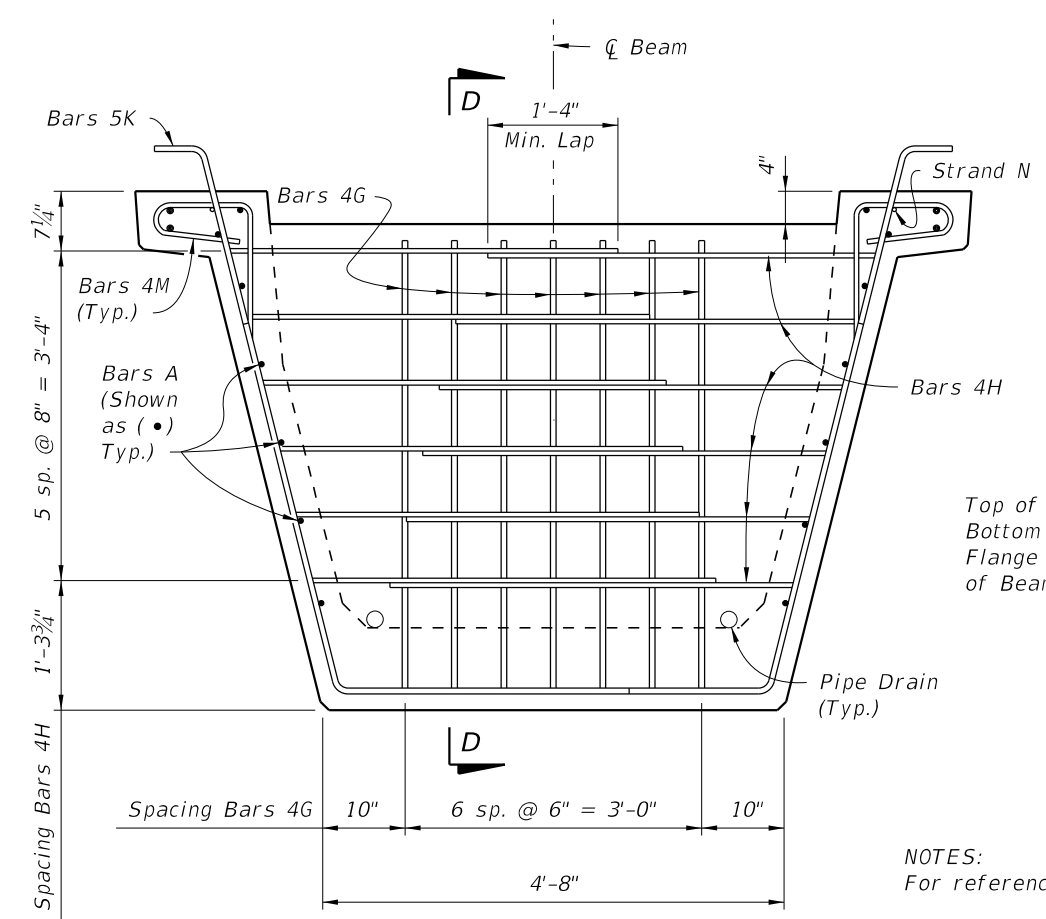
LAST REVISION 11/01/16	DESCRIPTION:		FY 2023-24 STANDARD PLANS	FLORIDA-U 63 BEAM - STANDARD DETAILS	INDEX 450-263	SHEET 2 of 3
---------------------------	--------------	--	------------------------------	--------------------------------------	------------------	-----------------

**CONVENTIONAL REINFORCING STEEL BENDING DIAGRAMS**

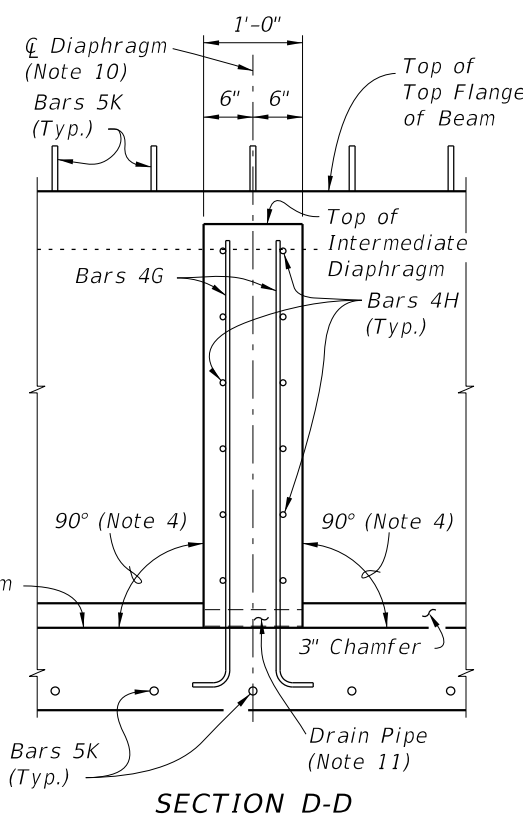
BILL OF REINFORCING STEEL FOR ONE BEAM ONLY			
MARK	SIZE	NO. REQD.	LENGTH
A1	6	4	Dim. L - 4"
A2	4	12	Dim. L - 4"
B	5	12	5'-4"
C	4	24	5'-5"
D1	3	204	1'-6"
D2	3	34	4'-6"
E	5	24	6'-6"
F	4	28	6'-6"
G	4	See Table	5'-3"
H	4	See Table	4'-11"
K	5	See Table	9'-2½"
L	5	28	17'-8"
M	4	See Table	3'-11"
N	¾" Ø Strand	2	Dim. L - 3"



**TOP VIEW OF INTERMEDIATE DIAPHRAGM**



**SECTION AT INTERMEDIATE DIAPHRAGM**



**SECTION D-D**

NOTES:  
For referenced notes see Index 450-210.

10/16/2022 10:59:30 AM