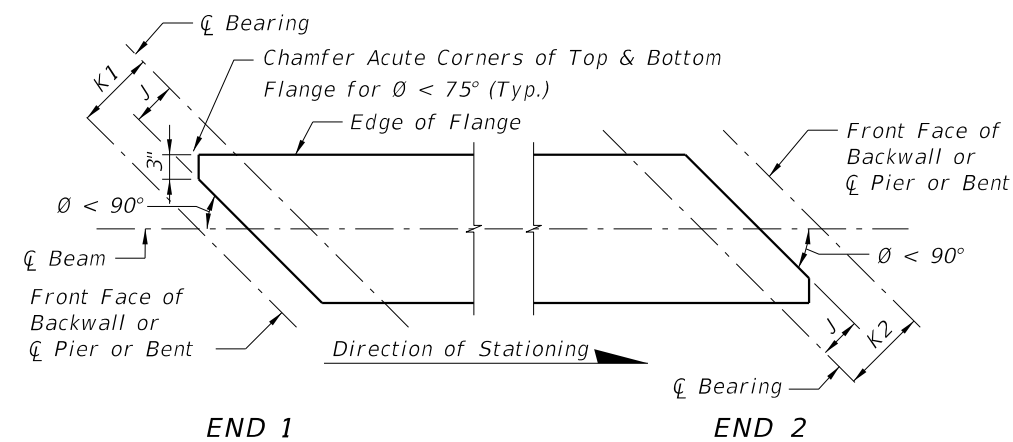
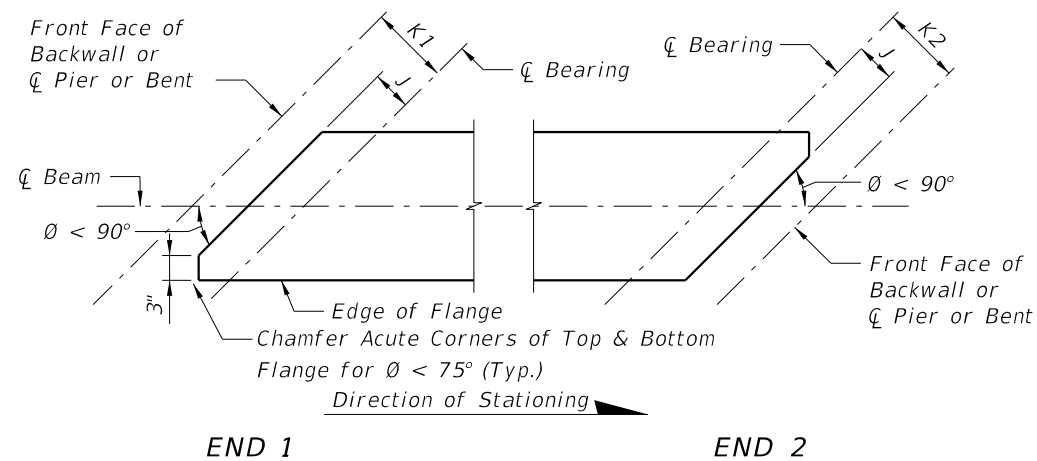


CASE 1
(Standard Orientation for New Construction)

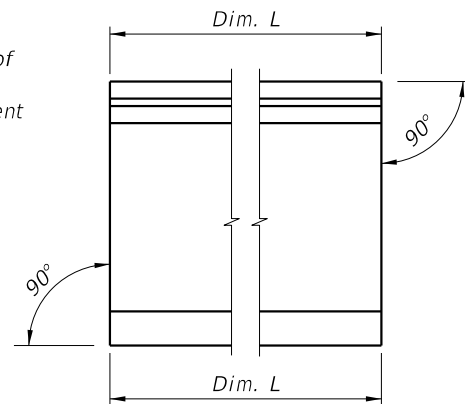


CASE 2
(Special Orientation for Widening)

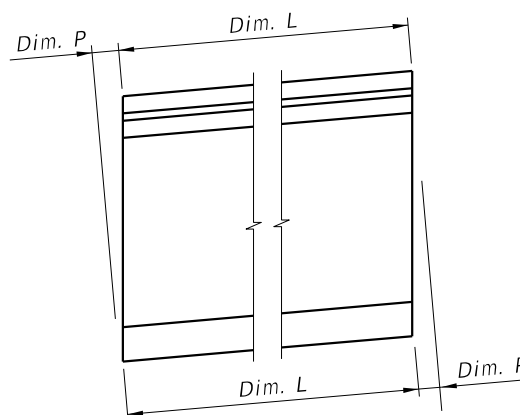


CASE 3
(Special Orientation for Widening)

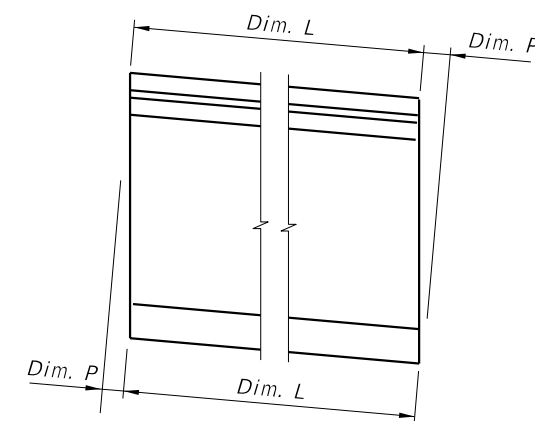
SCHEMATIC PLAN VIEWS AT BEAM ENDS



CONDITION 1
(Dim P = 0.0)



CONDITION 2



CONDITION 3

SCHEMATIC END ELEVATIONS OF BEAMS
(Showing Vertical Bevel of Beam End)

BEAM NOTES

1. Work this Index with the Table of Beam Variables in Structures Plans.
2. All bar bend dimensions are out to out.
3. Concrete cover: 2 inches minimum.
4. Strands N: 3/8" Ø minimum, stressed to 10,000 lbs. each.
5. Place one (1) Bar 4K or 5Z at each location. Alternate the direction of the ends for each bar.
6. Tie Bars 4K and 5Z to the fully bonded strands in the bottom or center row (see "STRAND PATTERN" on the Table of Beam Variables sheet in Structures Plans).
7. Place Bars 3D1 in beam END 1, and Bars 3D2 in beam END 2.
8. For Beams with vertically beveled end conditions:
 - A. Place first row of Bars 3D1, 3D2, 4K, 4Y and 5Z parallel to the end of the beam. Progressively rotate remaining bars within the limits of Bars 5Z until vertical by adjusting the spacing at the top of beam up to a maximum of 1".
 - B. For deformed WWR, cut top cross wire and rotate bars as required or reduce end cover at top of the beam to minimum 1".
9. For beams with skewed end conditions:
 - A. WWR is not permitted for end reinforcement Bars 3D1, and 3D2 on skewed ends; use bar reinforcement.
 - B. Place end reinforcement parallel to the skewed end of the beam. End reinforcement is defined as Bars 3D1, 3D2, 4K, 4Y and 5Z placed within the limits of the spacing for Bars 3D in "ELEVATION AT END OF BEAM".
 - C. Beyond the limits of the spacing for Bars 3D, place Bars 4K perpendicular to the longitudinal axis of the beam. For placement see "SKEWED BEAM END DETAILS FOR WIDENING EXISTING BRIDGES" (Sheet 2).
10. Contractor Options:
 - A. Deformed WWR may be used in lieu of Bars 3D, 4K, and 5Z as shown on Sheet 4; except at skewed ends (See Note 9).
 - B. Bars 3D1 and 3D2 may be fabricated as a two-piece bar with a 1'-0" minimum lap splice of the bottom legs.
 - C. For deformed WWR, supplemental transverse #4 bars are permitted to support Pieces K & S under the cross wires on the bottom row of strands or above Strands N.
11. Embedment of Safety Line Anchorage Devices are permitted in the top flange to accommodate fall protection systems. See shop drawings for details and spacing of required anchorage devices.
12. For beams with ends that will not to be encased in concrete diaphragms, cut wedges and recess Prestressing Strands at the end of the beam without damaging the surrounding concrete. See "STRAND CUTTING AND PROTECTING DETAIL" on Sheet 2.
13. Holes in the beam web for temporary bracing or shipping devices must be formed prior to casting. Fill holes not meeting all the following criteria in accordance with Specification Section 450.
 - A. The superstructure environmental classification is slightly or moderately aggressive
 - B. Clear cover to adjacent steel reinforcing is 1" or greater
 - C. Hole inside diameter is 2" maximum
 - D. Non-metallic, non-water absorbing forming materials such as PVC, may be left in place permanently.

DETAILS AND NOTES

10/16/2022 10:56:49 AM

LAST REVISION 11/01/18	REVISION	DESCRIPTION:
---------------------------	----------	--------------

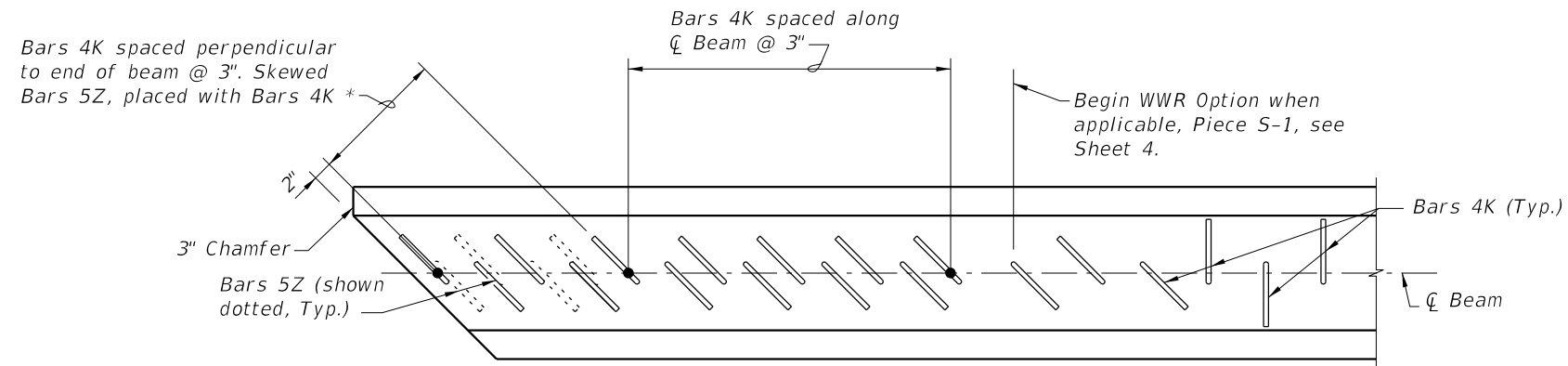


FY 2023-24
STANDARD PLANS

AASHTO TYPE II BEAM

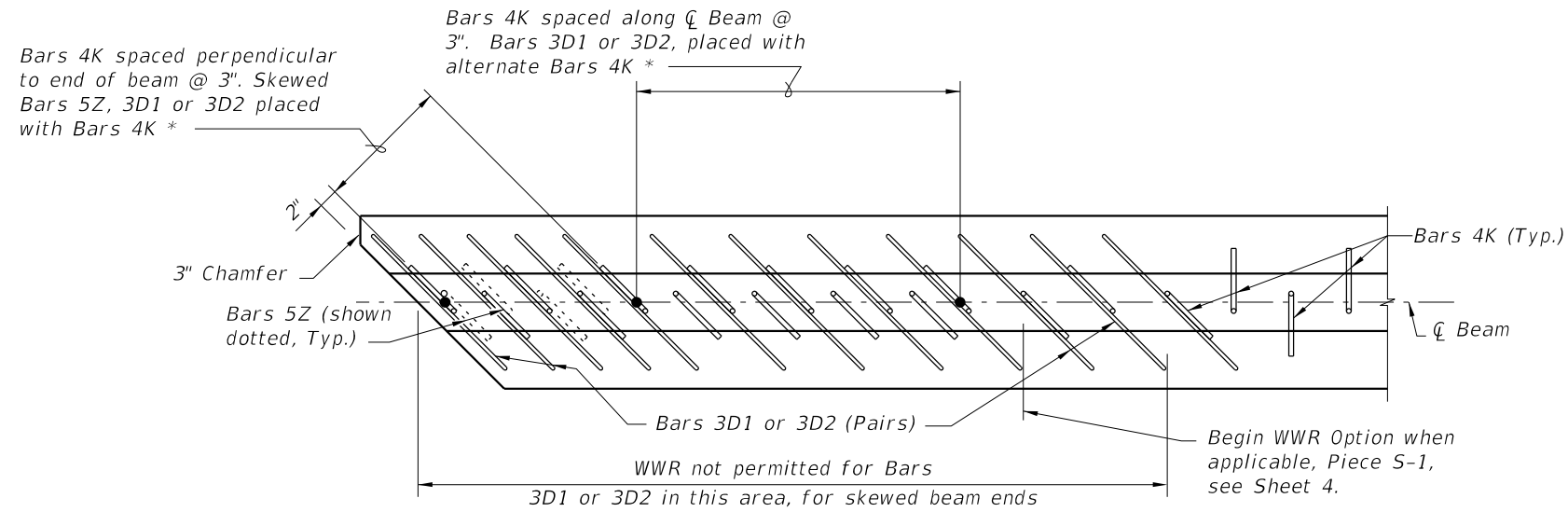
INDEX
450-120

SHEET
1 of 4

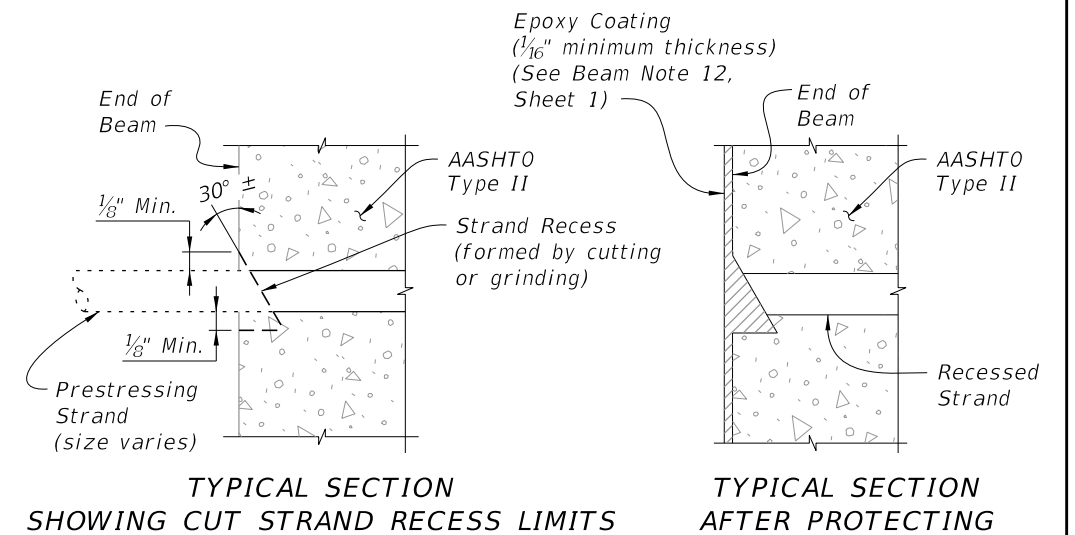


PARTIAL PLAN VIEW (SHOWING TOP FLANGE)
 (End 1 Shown, End 2 Similar)
 (Bars 5A, 4Y & Strands N not shown for clarity)

* For number of Bars, spacing and placement details see Sheet 3. See Sheet 3 for Conventional Reinforcement, Sheet 4 for WWR.



PARTIAL SECTION THRU WEB (SHOWING BOTTOM FLANGE)
 (End 1 Shown, End 2 Similar)
 (Bars 4Y & Strands not shown for clarity)



TYPICAL SECTION SHOWING CUT STRAND RECESS LIMITS **TYPICAL SECTION AFTER PROTECTING**

SKewed BEAM END DETAILS FOR WIDENING EXISTING BRIDGES

STRAND CUTTING AND PROTECTING DETAIL

DETAILS AND NOTES

LAST REVISION 11/01/19	DESCRIPTION:
---------------------------	--------------



FY 2023-24
STANDARD PLANS

AASHTO TYPE II BEAM

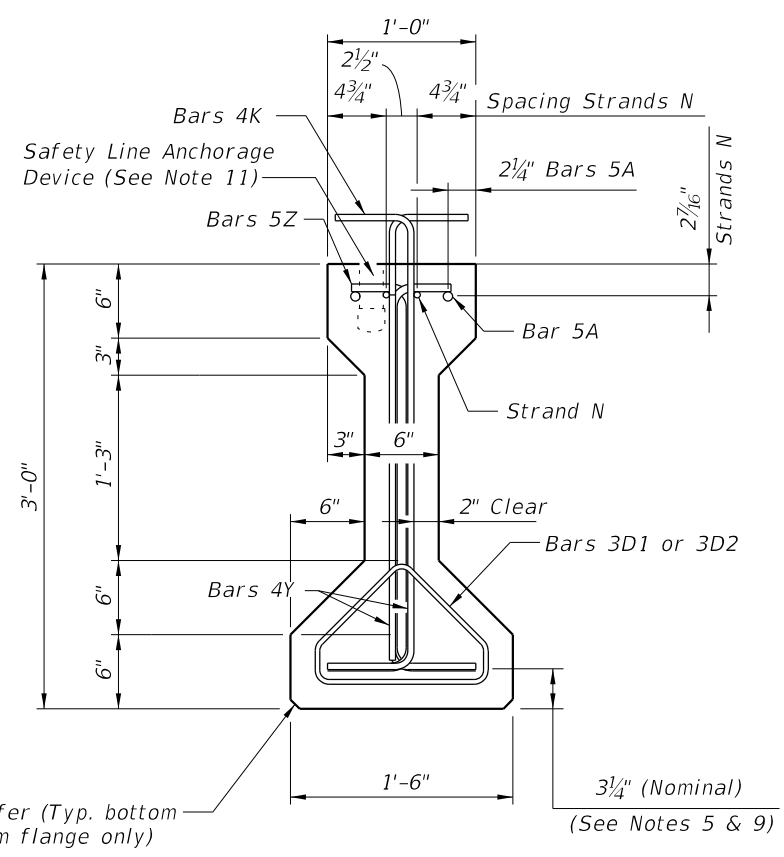
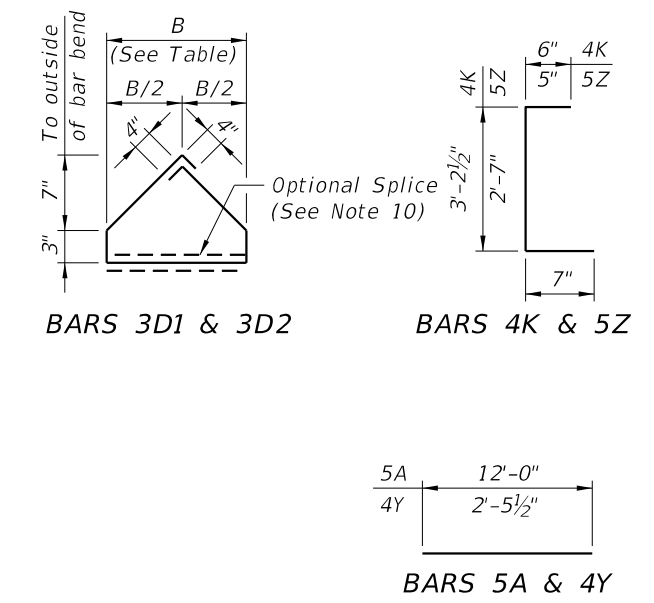
INDEX 450-120	SHEET 2 of 4
------------------	-----------------

10/16/2022 10:56:50 AM

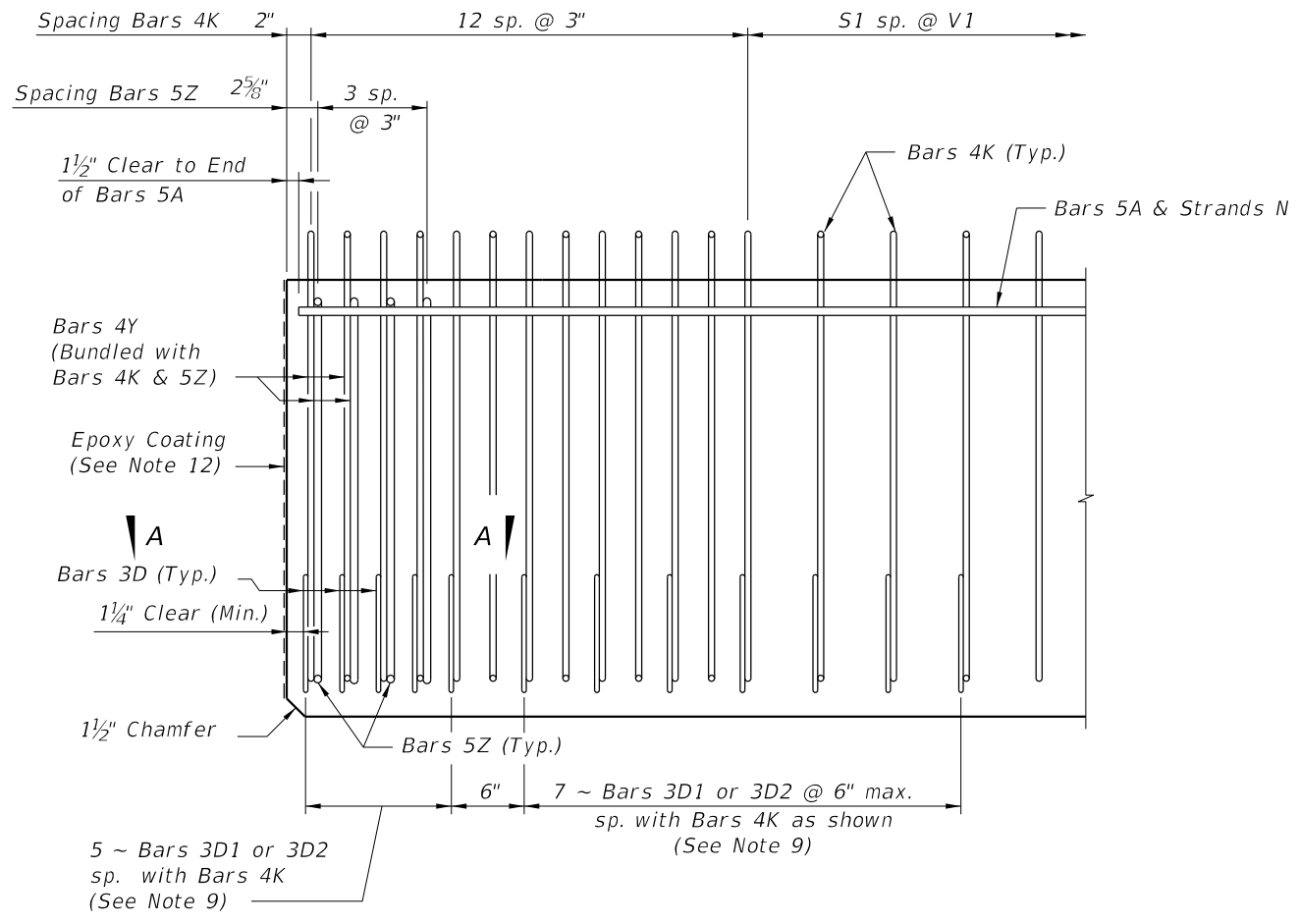
BILL OF REINFORCING STEEL FOR ONE BEAM ONLY

MARK	NOTE NUMBERS	SIZE	NUMBER REQUIRED	LENGTH (NOTE 1)
A	—	5	4	12'-0"
D1	8, 9 & 10	3	12	See Table
D2	8, 9 & 10	3	12	See Table
K	5, 6, 8, 9 & 10	4	See Table	4'-4"
N	4 & 12	$\frac{3}{8}$ " \emptyset Strand	2	DIM L+5"
Y	8 & 9	4	8	2'-6"
Z	5, 6, 8, 9 & 10	5	8	3'-7"

BENDING DIAGRAMS (See Note 1)

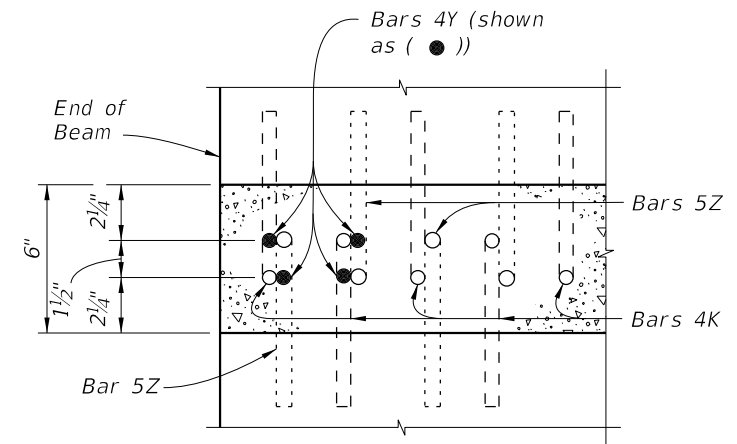


END VIEW

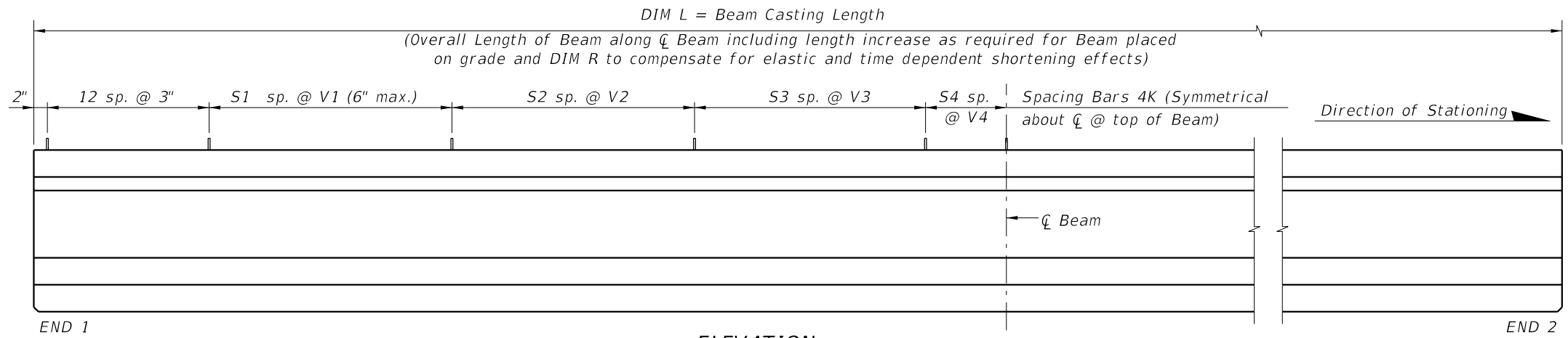


ELEVATION AT END OF BEAM (Flanges Not Shown For Clarity)

NOTES:
 Work this Index with the AASHTO Type II Beam - Table of Beam Variables in Structures Plans.
 For referenced notes, see Sheet 1.
 For Dimensions L, R, V1 thru V4 and number of spaces S1 thru S4, see AASHTO Type II Beam - Table of Beam Variables.



SECTION A-A (Showing Bars 4K, 4Y & 5Z Only)



ELEVATION

STANDARD DETAILS

LAST REVISION 11/01/19	DESCRIPTION:
---------------------------	--------------



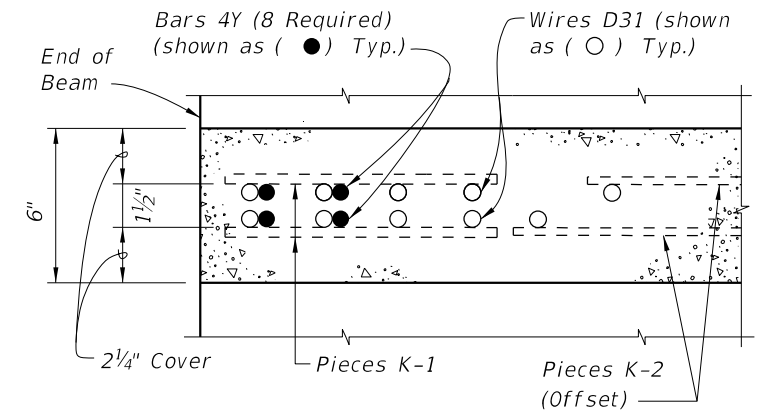
FY 2023-24 STANDARD PLANS

AASHTO TYPE II BEAM

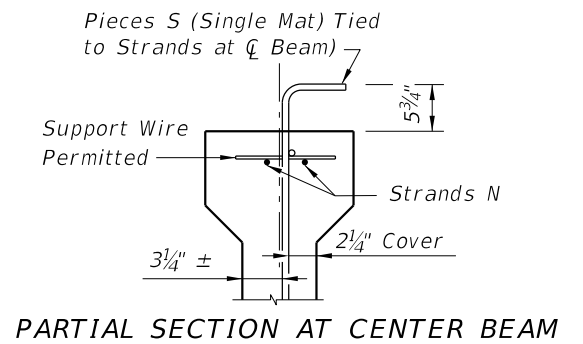
INDEX 450-120	SHEET 3 of 4
------------------	-----------------

10/16/2022 10:56:51 AM

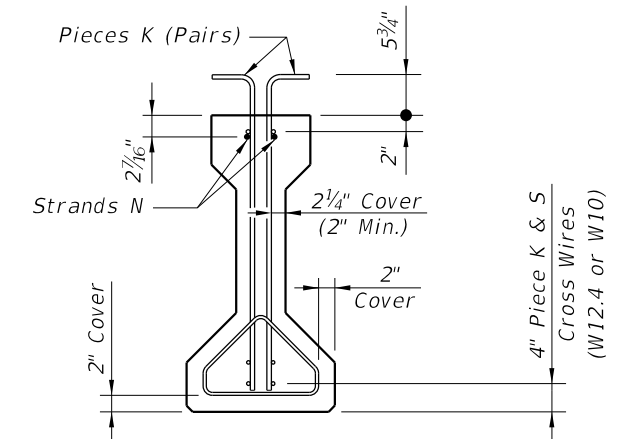
ALTERNATE REINFORCING STEEL WWR DETAILS



SECTION A-A
FOR WELDED WIRE REINFORCEMENT



PARTIAL SECTION AT CENTER BEAM



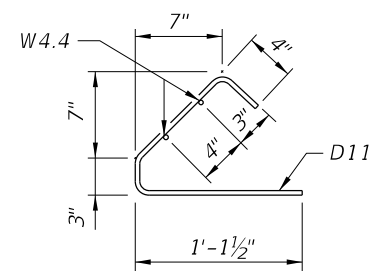
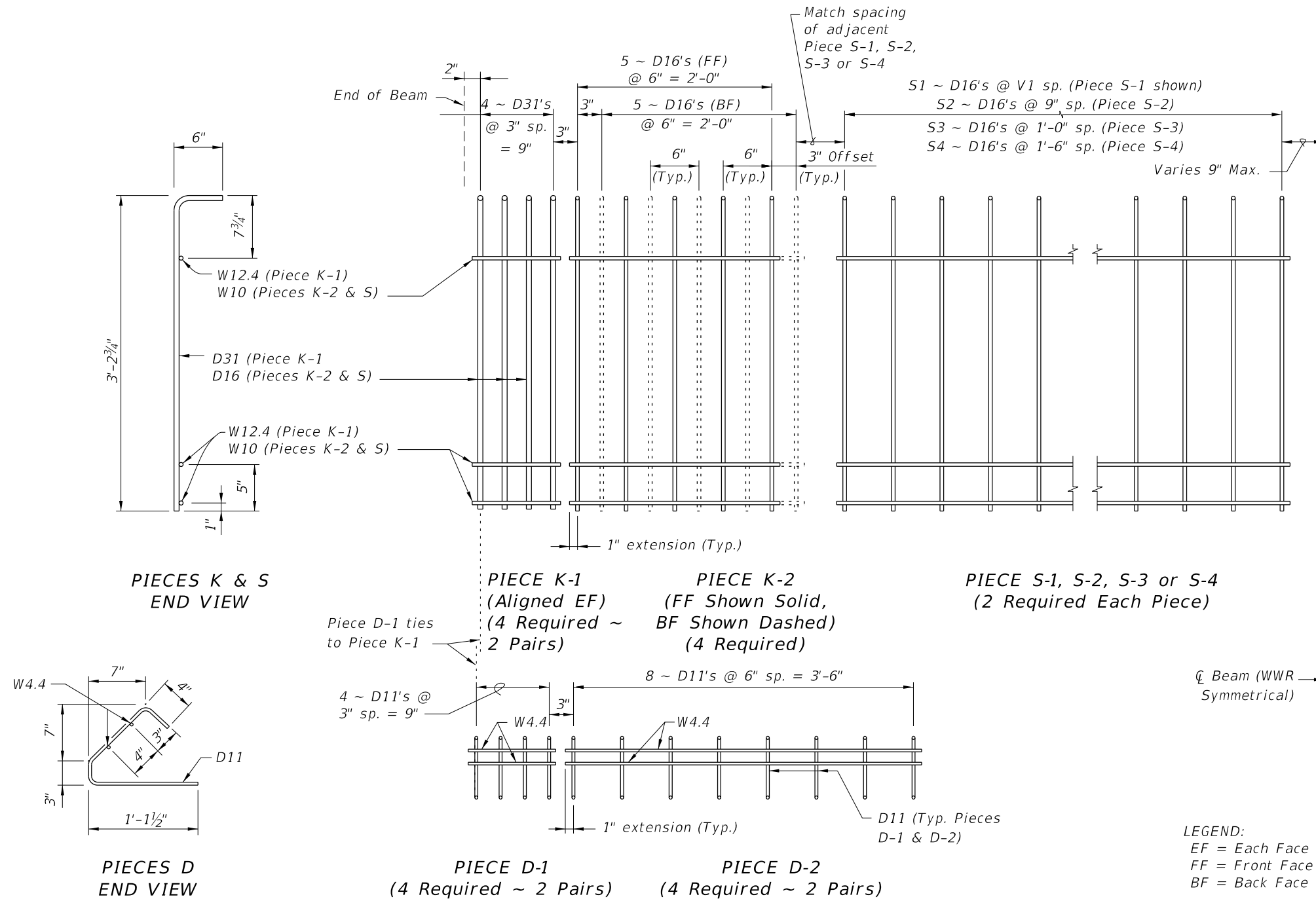
PARTIAL BEAM END VIEW
(Conventional Reinforcing Bars A, Y and Bottom Strands not shown for clarity)

NOTES:

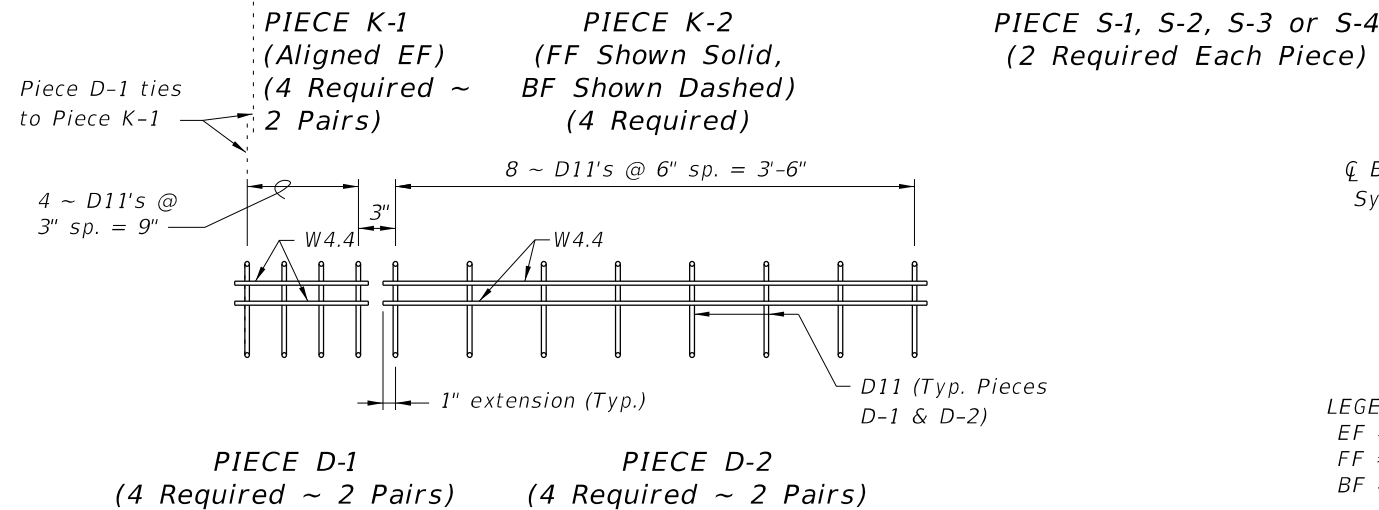
- See Sheet 3 for placement details & Table of Beam Variables in Structures Plans for variables S1, S2, S3, S4 & V1.
- Place Conventional Reinforcement Bars 5A as shown on Sheet 3. Place additional Bars 4Y as shown in Section A-A for WWR. Bars 5Z will not be used with the WWR Option.
- Pieces may be fabricated in multiple length sections.
- For beams with skewed end conditions, Pieces D-1 & D-2 shall not be used; Conventional Reinforcement Bars D1 & D2 shall be used. See Sheet 2 Skew Details and Sheet 1 Note 9 for placement details. Shift Pieces K & Bars 4Y to accommodate skewed end conditions and align with Bars D.

LEGEND:

- EF = Each Face
- FF = Front Face
- BF = Back Face



PIECES D
END VIEW



PIECE D-1
(4 Required ~ 2 Pairs)

PIECE D-2
(4 Required ~ 2 Pairs)

LAST REVISION 11/01/16	DESCRIPTION:
---------------------------	--------------

10/16/2022 10:56:51 AM