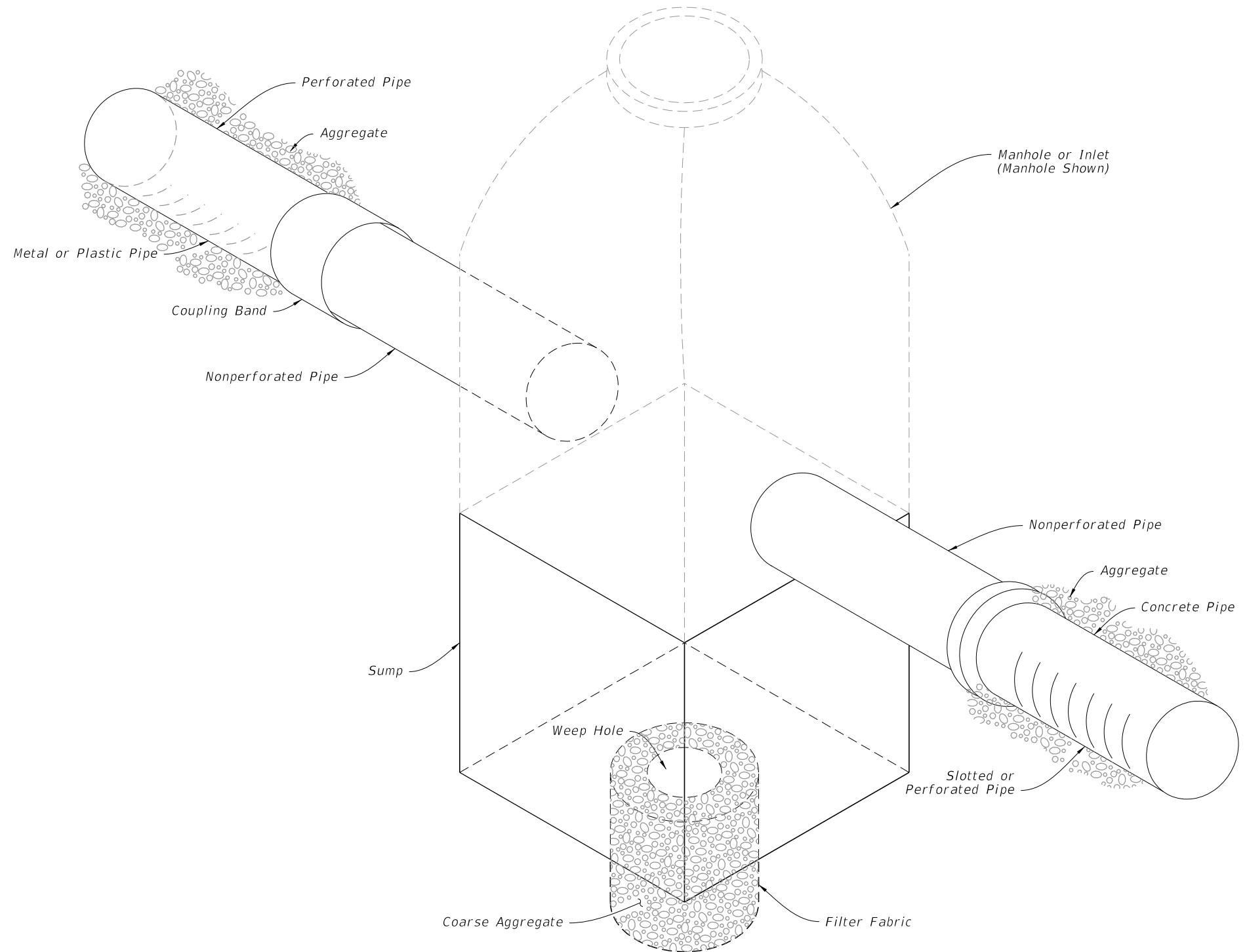


**GENERAL NOTES:**

1. Place concrete pipe with the slots positioned on sides.
2. Alignment joints are standard (gaskets not required). Recorrugation of metal pipe ends not required.
3. Install Type D-3 filter fabric in accordance with Specification 985. Lap all filter fabric joints a minimum of one (1) foot.
4. Construct the standard cross section unless other section(s) described or detailed in the plans.
5. See Index 430-001 for supplemental details.
6. Take the necessary precautions to prevent contamination of the trench with sand, silt and foreign materials.

| TABLE OF CONTENTS: |                               |
|--------------------|-------------------------------|
| Sheet              | Description                   |
| 1                  | General Notes and Contents    |
| 2                  | French Drain System           |
| 3                  | Concrete Slotted Pipe Options |

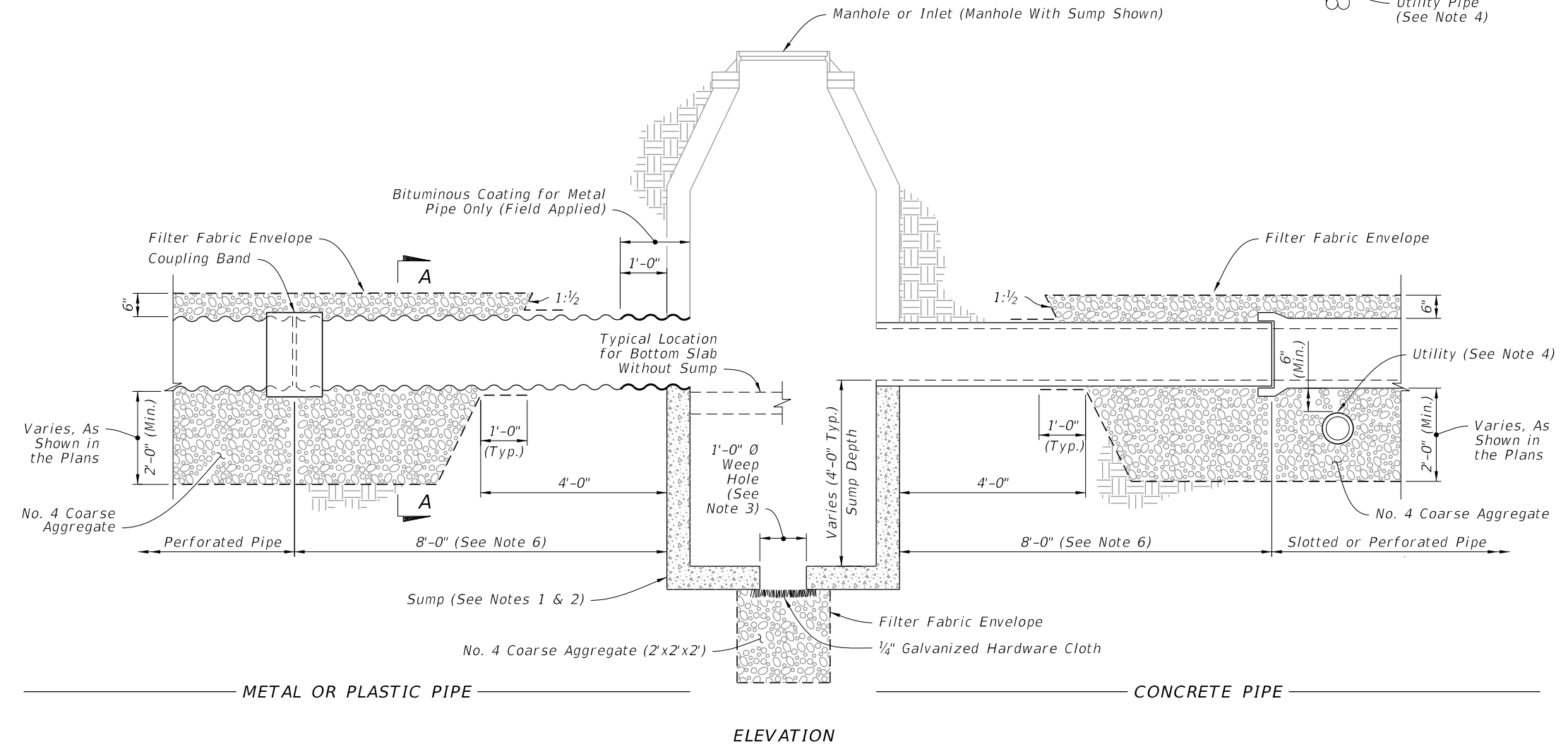
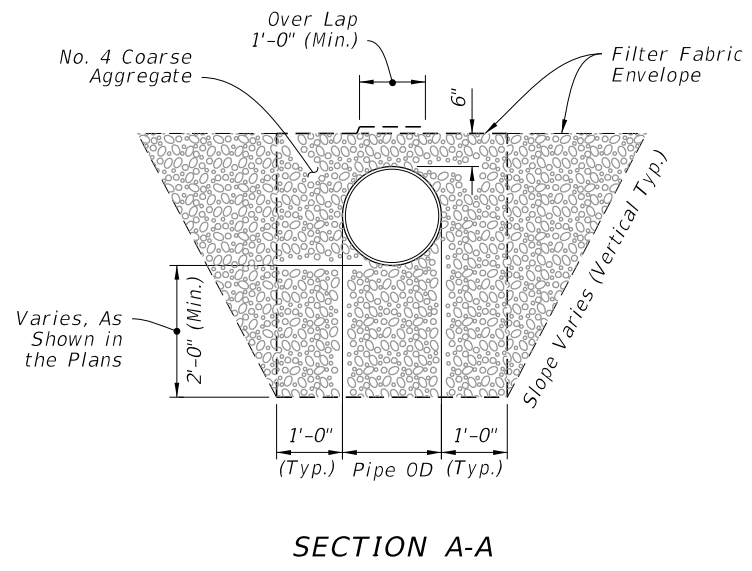
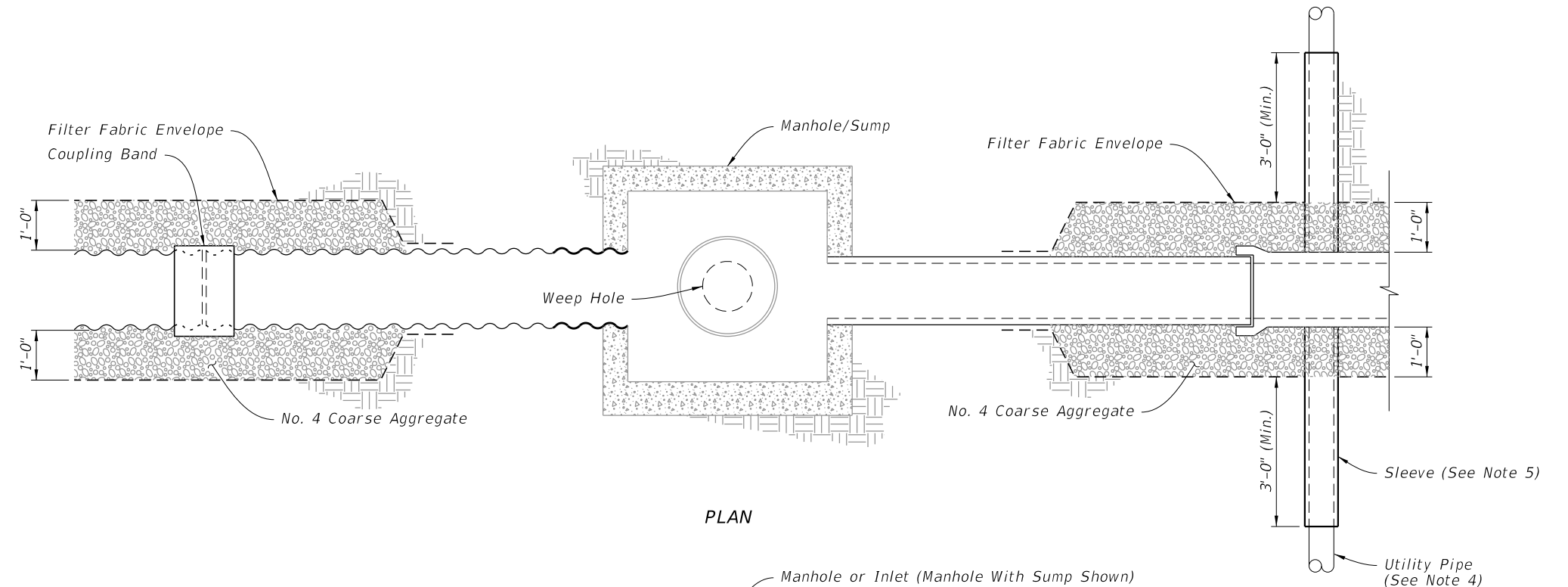


**FRENCH DRAIN ASSEMBLY**

10/6/2022 1:57:56 PM

**NOTES:**


1. Construct sumps unless excluded in the Plans.
2. For additional sump bottom information see Index 425-001.
3. Construct weep holes only where called for in the Plans.
4. Only cast and ductile iron sanitary sewer, or cast iron, ductile and steel water mains will be allowed to pass directly through french drain (without sleeve).
5. Use only steel, cast or ductile iron sleeves.
6. No slots or perforations.

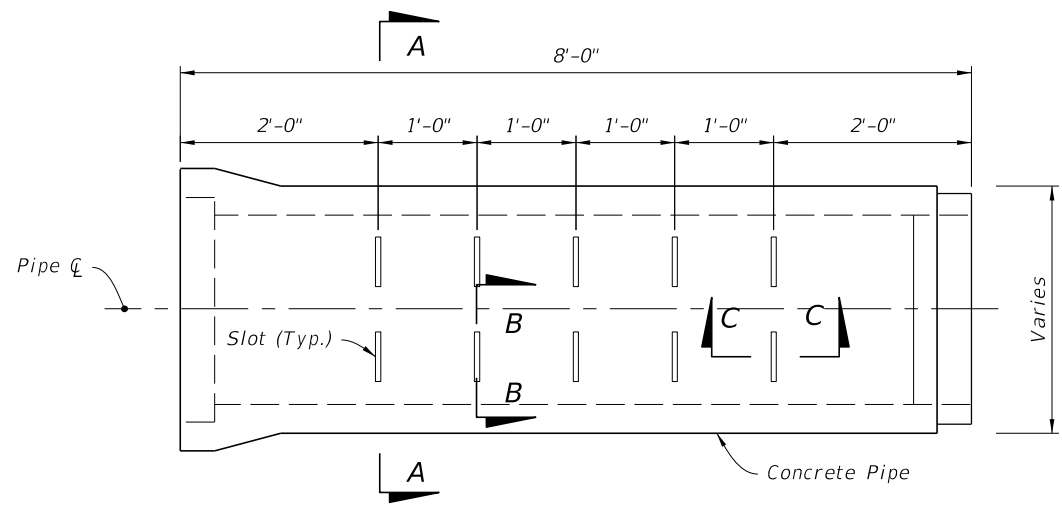


**FRENCH DRAIN**  
(Round Pipe Shown)

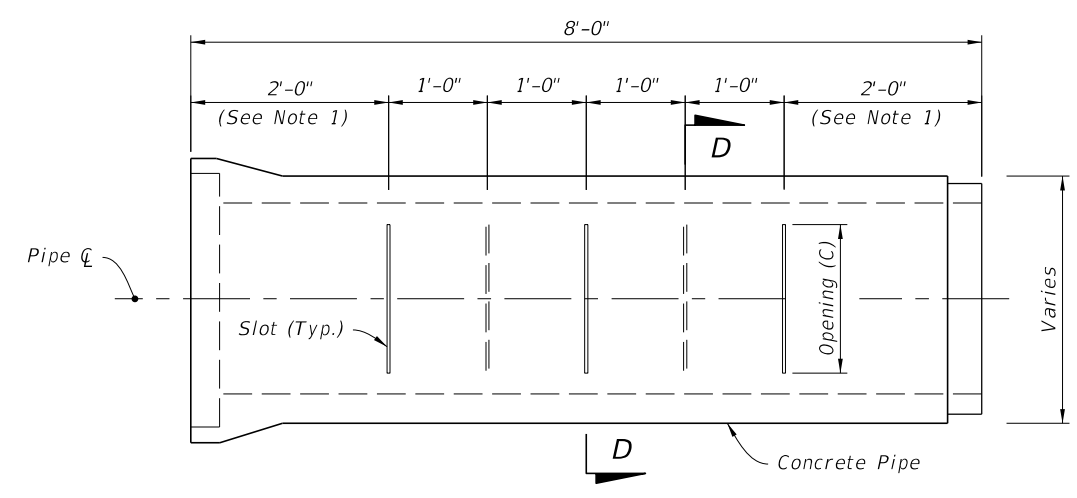
**FRENCH DRAIN SYSTEM**

10/6/2022 1:57:57 PM

|                           |          |              |                                                                                                                              |                     |                         |                        |
|---------------------------|----------|--------------|------------------------------------------------------------------------------------------------------------------------------|---------------------|-------------------------|------------------------|
| LAST REVISION<br>11/01/19 | REVISION | DESCRIPTION: | <br><b>FY 2023-24<br/>STANDARD PLANS</b> | <b>FRENCH DRAIN</b> | INDEX<br><b>443-001</b> | SHEET<br><b>2 of 3</b> |
|---------------------------|----------|--------------|------------------------------------------------------------------------------------------------------------------------------|---------------------|-------------------------|------------------------|

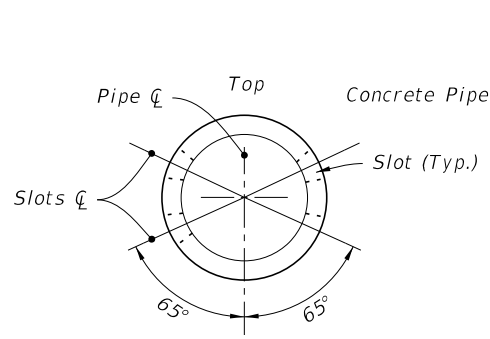


SIDE VIEW



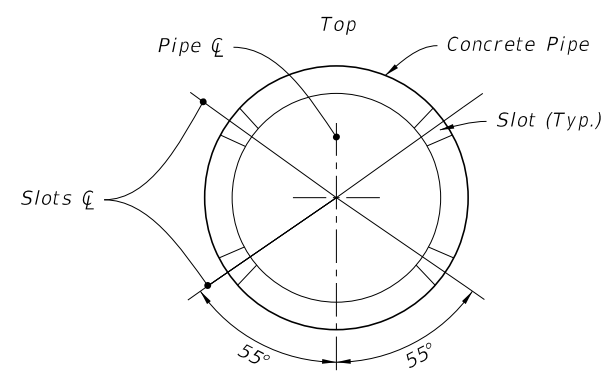
SIDE VIEW

- NOTES:**
- 2'-0" for 8'-0" joints of pipe;  
2'-6" for 12'-0" joints of pipe
  - A curved cut is acceptable provided the control dimension is maintained.

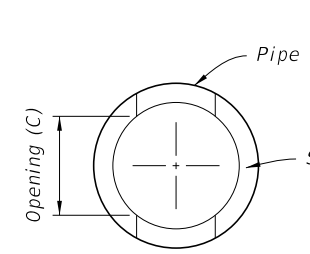


15" to 30"

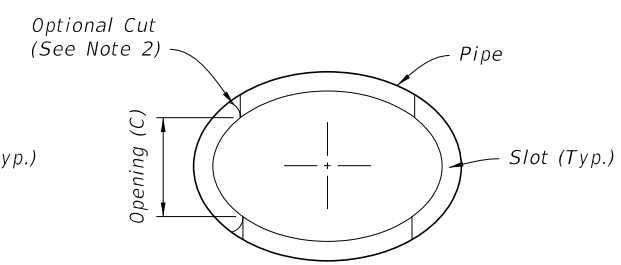
SECTION A-A



36" to 72"

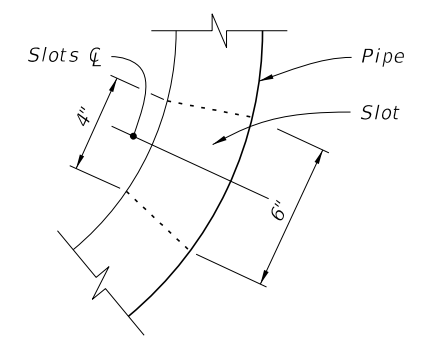


ROUND PIPE

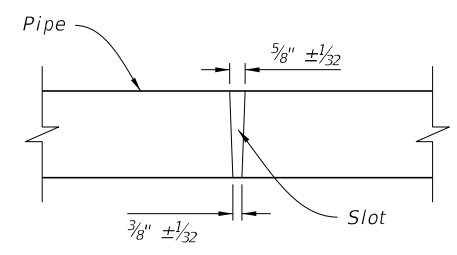


ELLIPTICAL PIPE

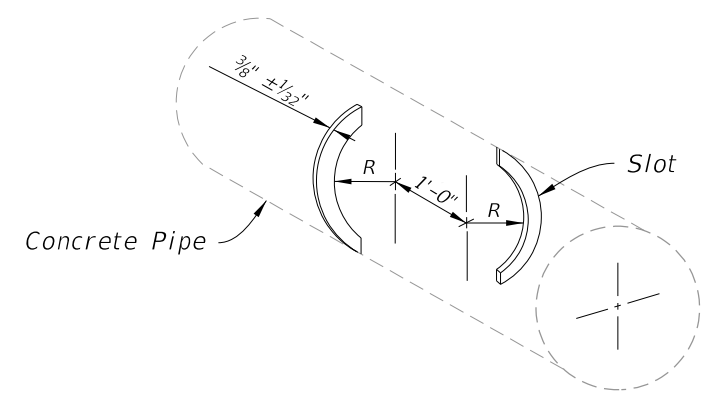
| ROUND PIPE |             |      |
|------------|-------------|------|
| Pipe Size  | Slot Cut    |      |
|            | Opening (C) |      |
|            | Min.        | Max. |
| 15"        | 12"         | 14"  |
| 18"        | 12"         | 14"  |
| 24"        | 16"         | 18"  |
| 30"        | 16"         | 18"  |
| 36"        | 22"         | 24"  |
| 42"        | 22"         | 24"  |
| 48"        | 22"         | 24"  |
| 54"        | 24"         | 26"  |
| 60"        | 24"         | 26"  |
| 66"        | 24"         | 26"  |
| 72"        | 24"         | 26"  |



SECTION B-B



SECTION C-C



ISOMETRIC VIEW  
(Round Pipe Shown)

| ELLIPTICAL PIPE |             |      |
|-----------------|-------------|------|
| Pipe Size       | Slot Cut    |      |
|                 | Opening (C) |      |
|                 | Min.        | Max. |
| 14"x23"         | 10"         | 12"  |
| 19"x30"         | 14"         | 16"  |
| 24"x38"         | 14"         | 16"  |
| 29"x45"         | 20"         | 22"  |
| 34"x53"         | 20"         | 22"  |
| 38"x60"         | 20"         | 22"  |

OPTION A - ROUND PIPE

OPTION B - ROUND OR ELLIPTICAL PIPE

CONCRETE SLOTTED PIPE OPTIONS

10/6/2022 1:57:56 PM