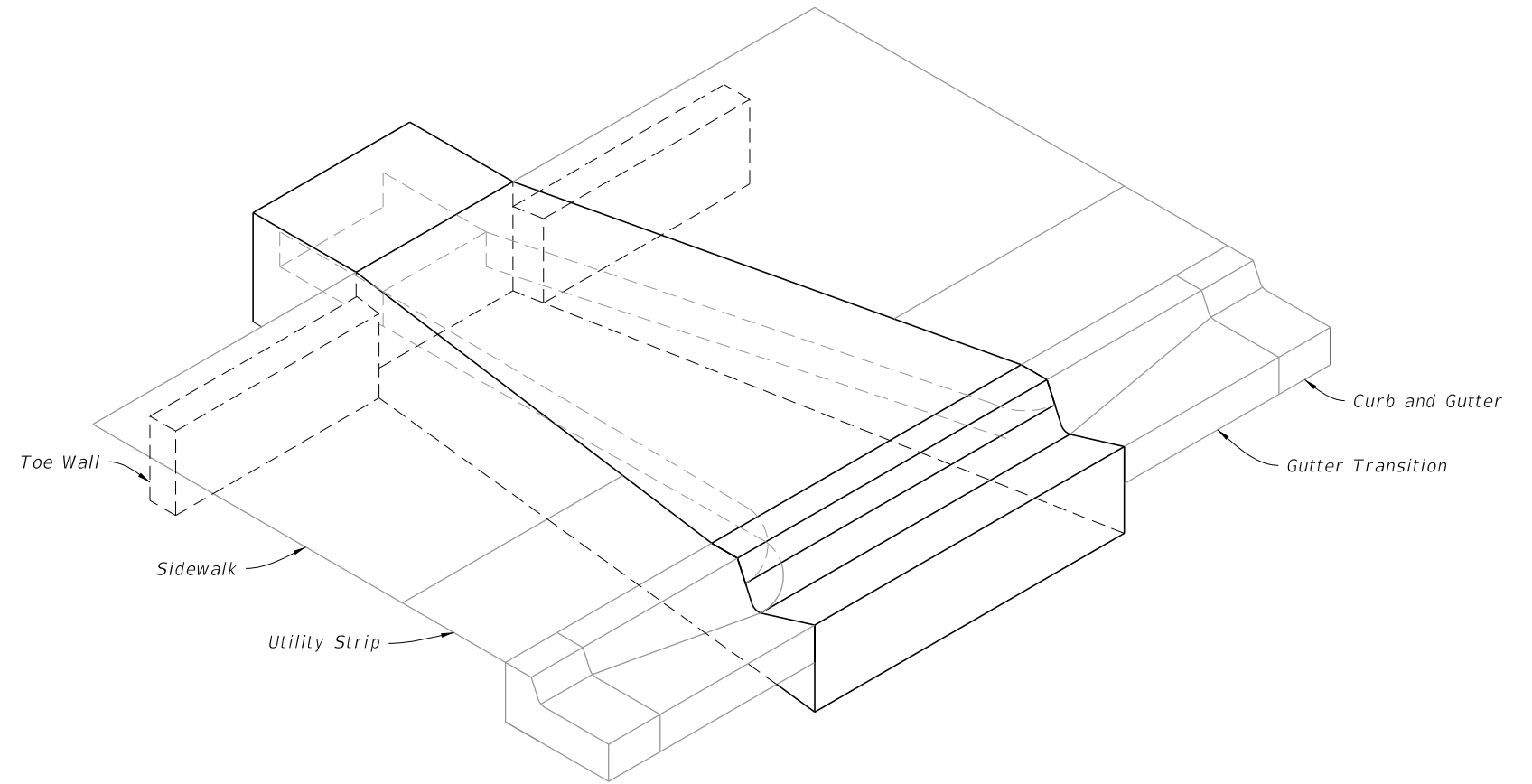


**GENERAL NOTES:**

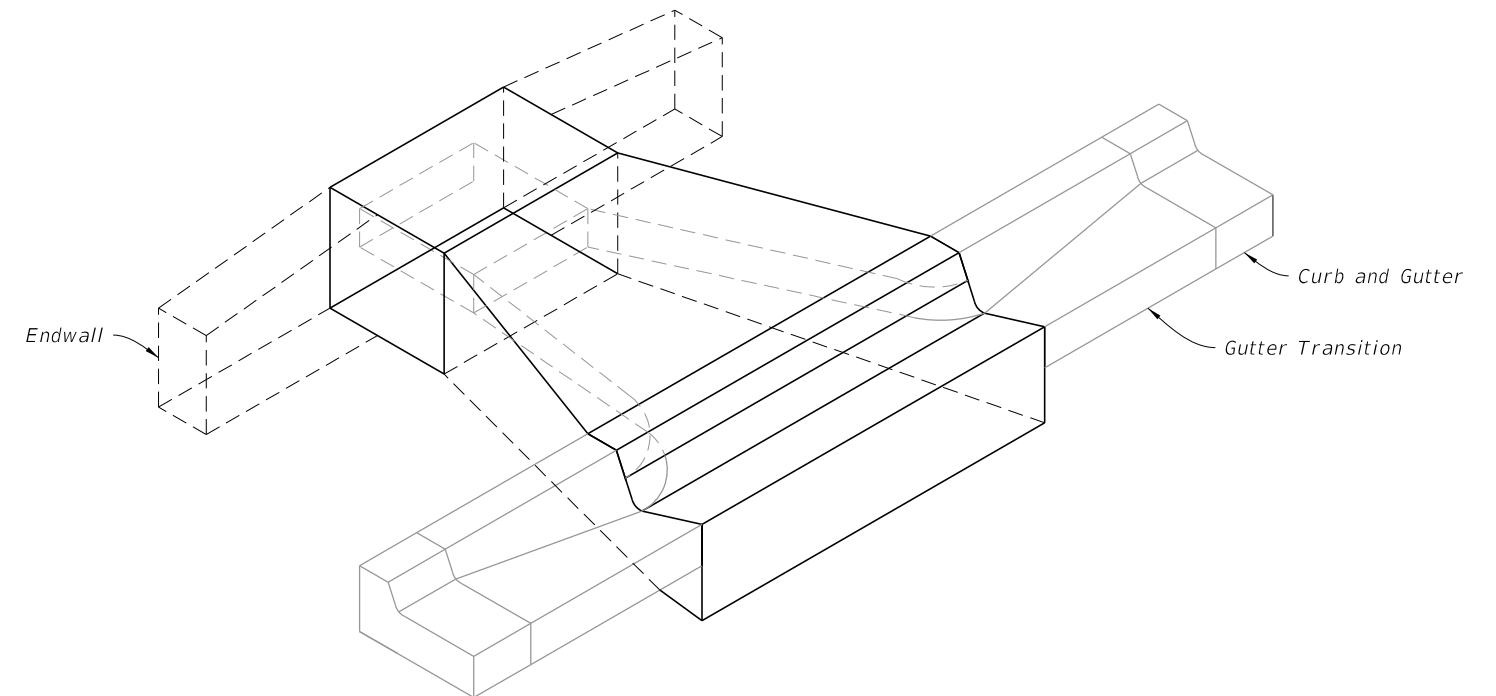
1. The finished grade and slope of the inlet top are to conform with the finished cross slope and grade of the proposed sidewalk and/or border.
2. When inlets are to be constructed on a curve, refer to the plans to determine the radius. Bend steel when necessary.
3. Inlets can be either cast-in-place or precast concrete. Chamfer all exposed edges  $\frac{3}{4}$ ".
4. All reinforcement is ASTM A615/A615M Grade 60 steel, either smooth or deformed with a 2" minimum cover, unless otherwise shown. Equivalent area grade 40 steel or 65 ksi welded wire fabric may be substituted.



**TYPE I CLOSED FLUME INLET WITH SIDEWALK**

Single Barrel Flume Shown

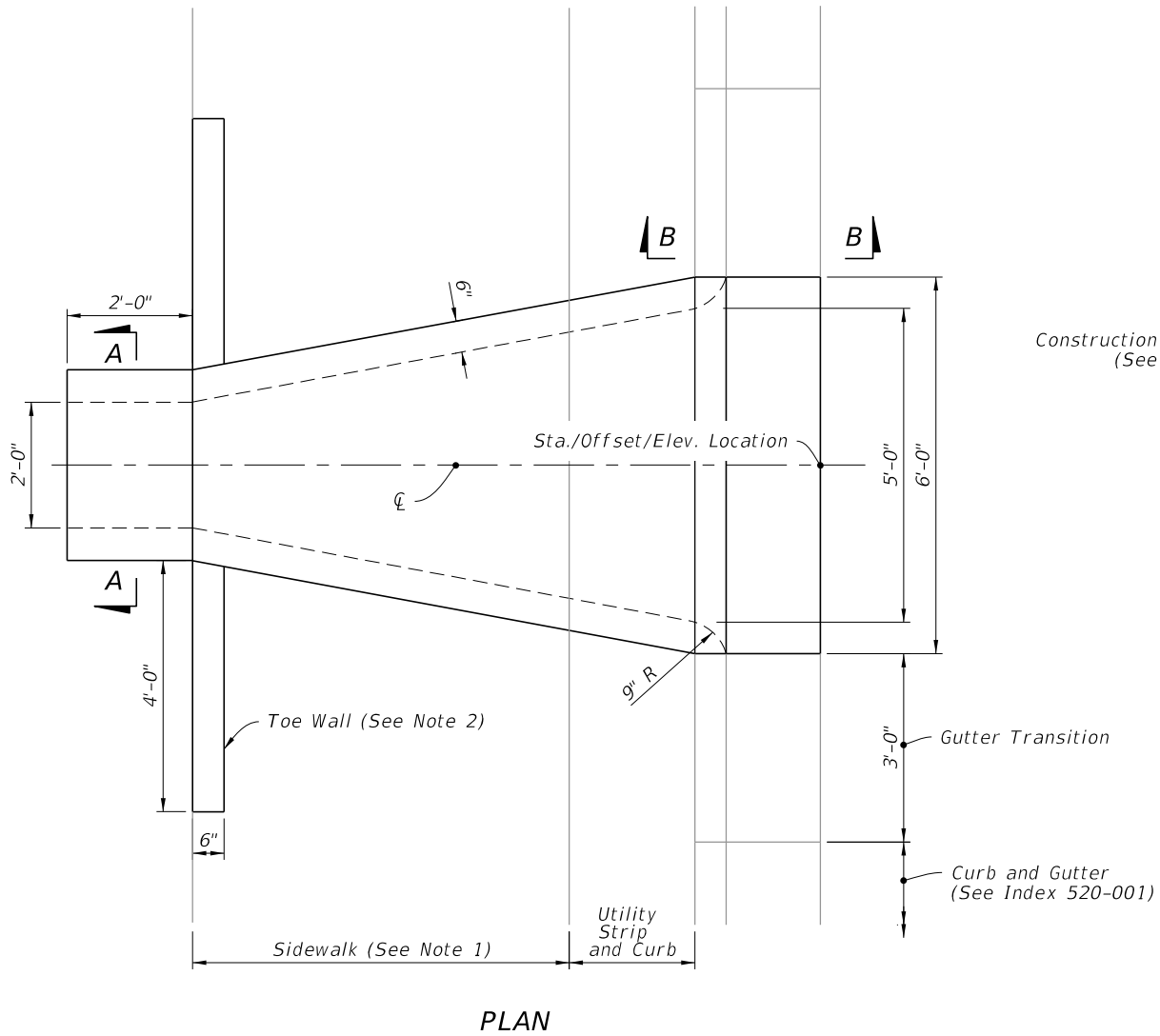
TABLE OF CONTENTS:	
Sheet	Description
1	General Notes and Contents
2	Type-I Dimensional Details
3	Reinforce Details
4	Type-II Dimensional Details
5	Multiple Barrel Flumes



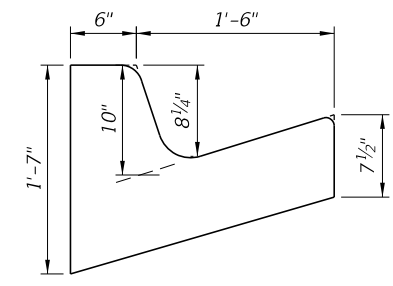
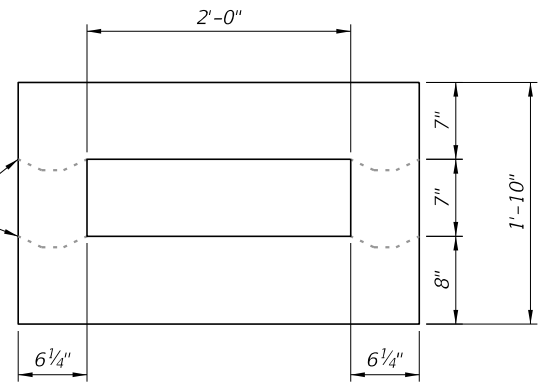
**TYPE II CLOSED FLUME INLET WITHOUT SIDEWALK**

Single Barrel Flume Shown

10/6/2022 1:51:11 PM

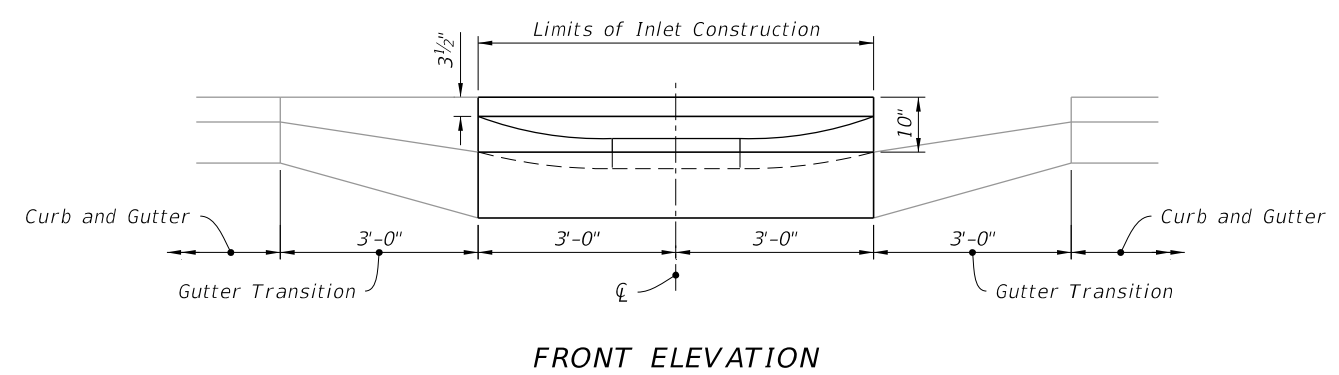
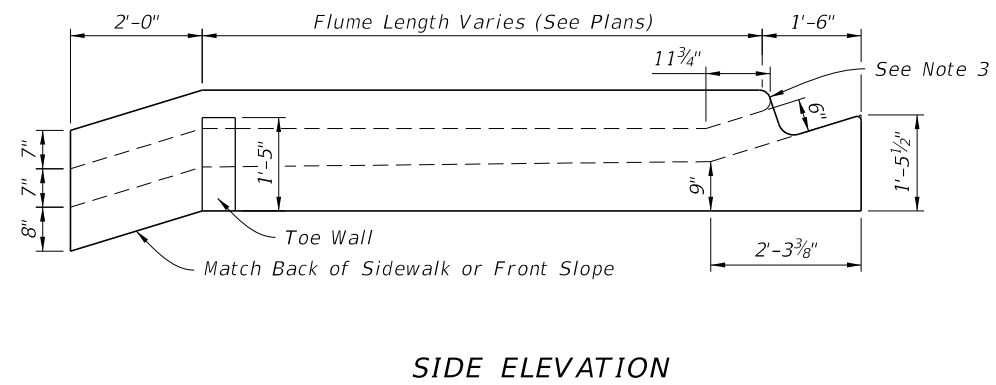


Construction Joint Permitted  
(See Index 425-001)




**NOTES:**

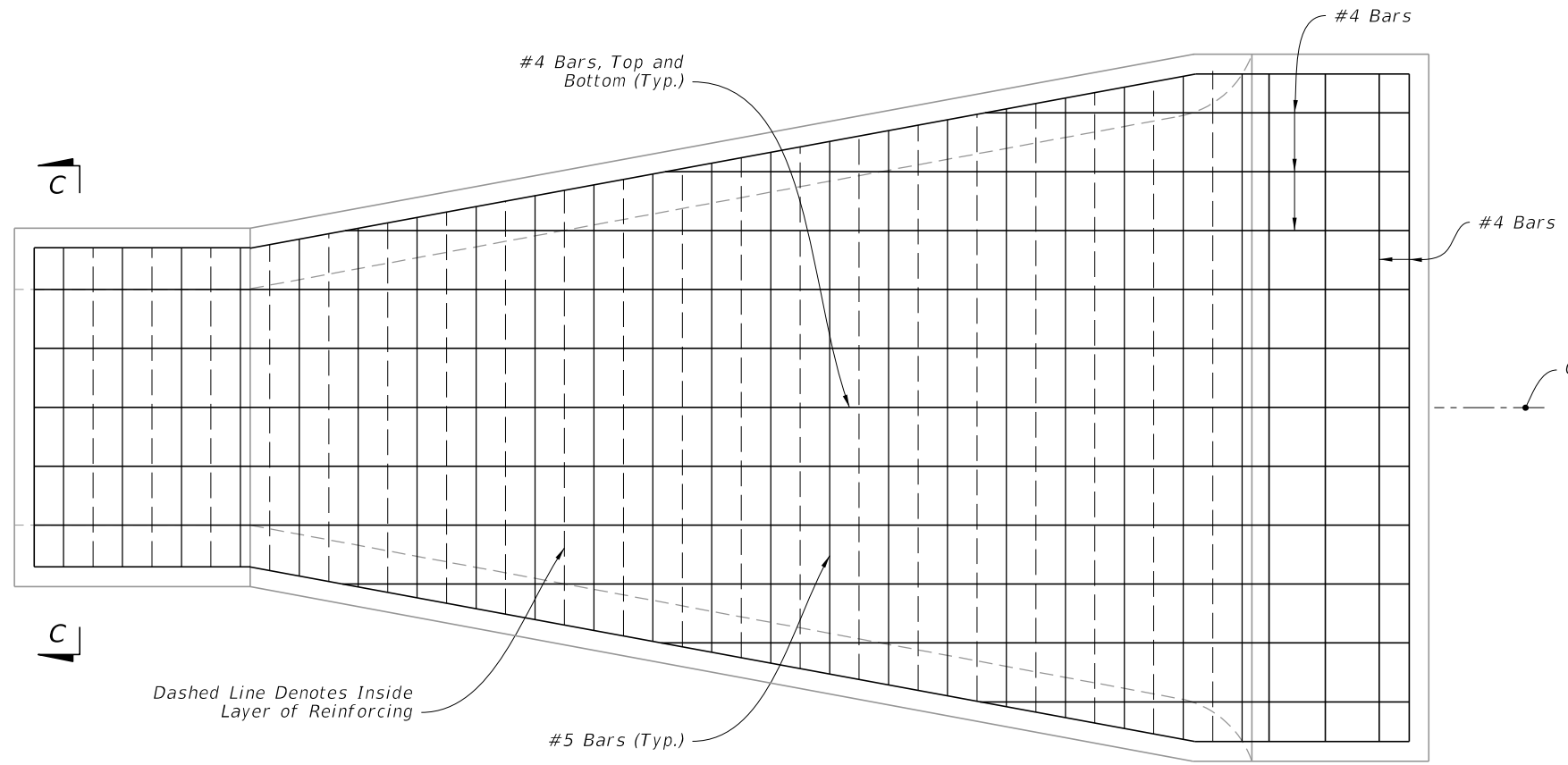
1. Use sloped section with sidewalk applications only.
2. Use Toe Walls with Sidewalk application only. For Endwall without Sidewalk see DETAILS on Sheet 4.
3. Slope to match adjacent curb with 2" top radius and 1 1/4" bottom radius.
4. See Sheet 5 for multiple barrel flumes span variation.



10/6/2022 1:51:12 PM

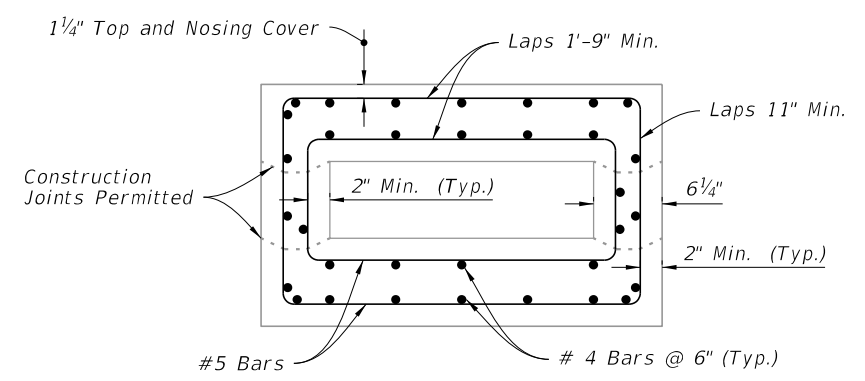
**TYPE-I DIMENSIONAL DETAILS**

LAST REVISION 10/01/21	REVISION	DESCRIPTION:		FY 2023-24 STANDARD PLANS	CLOSED FLUME INLET	INDEX 425-061	SHEET 2 of 5
---------------------------	----------	--------------	--	------------------------------	--------------------	------------------	-----------------

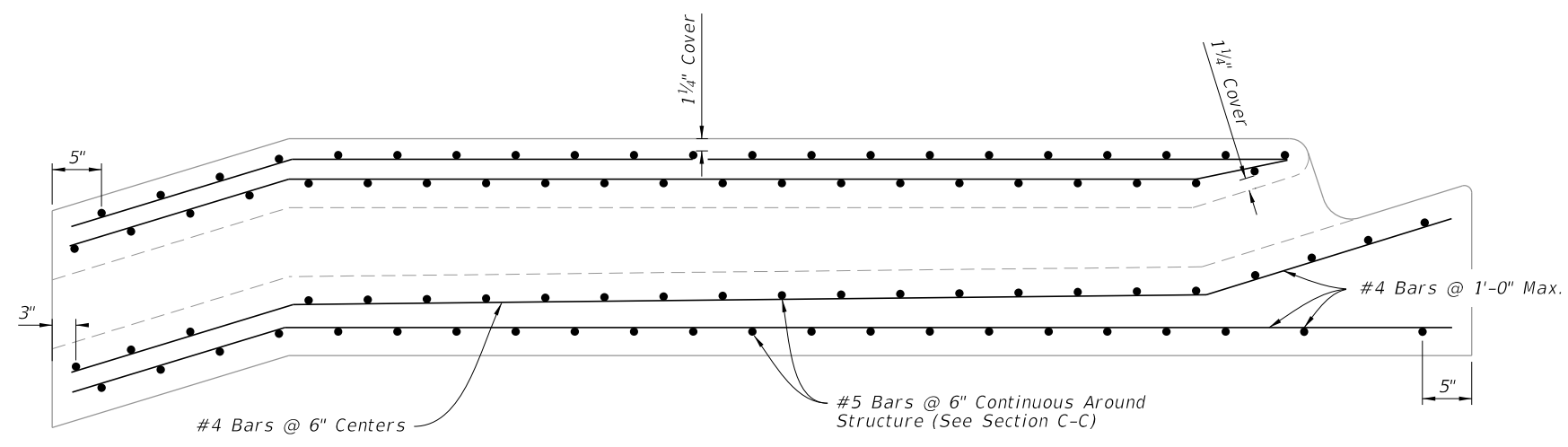


**NOTE:**  
Type I Closed Flume Inlet shown, Type II Closed Flume Inlet Similar.

PLAN



SECTION C-C



SIDE ELEVATION

REINFORCING DETAILS

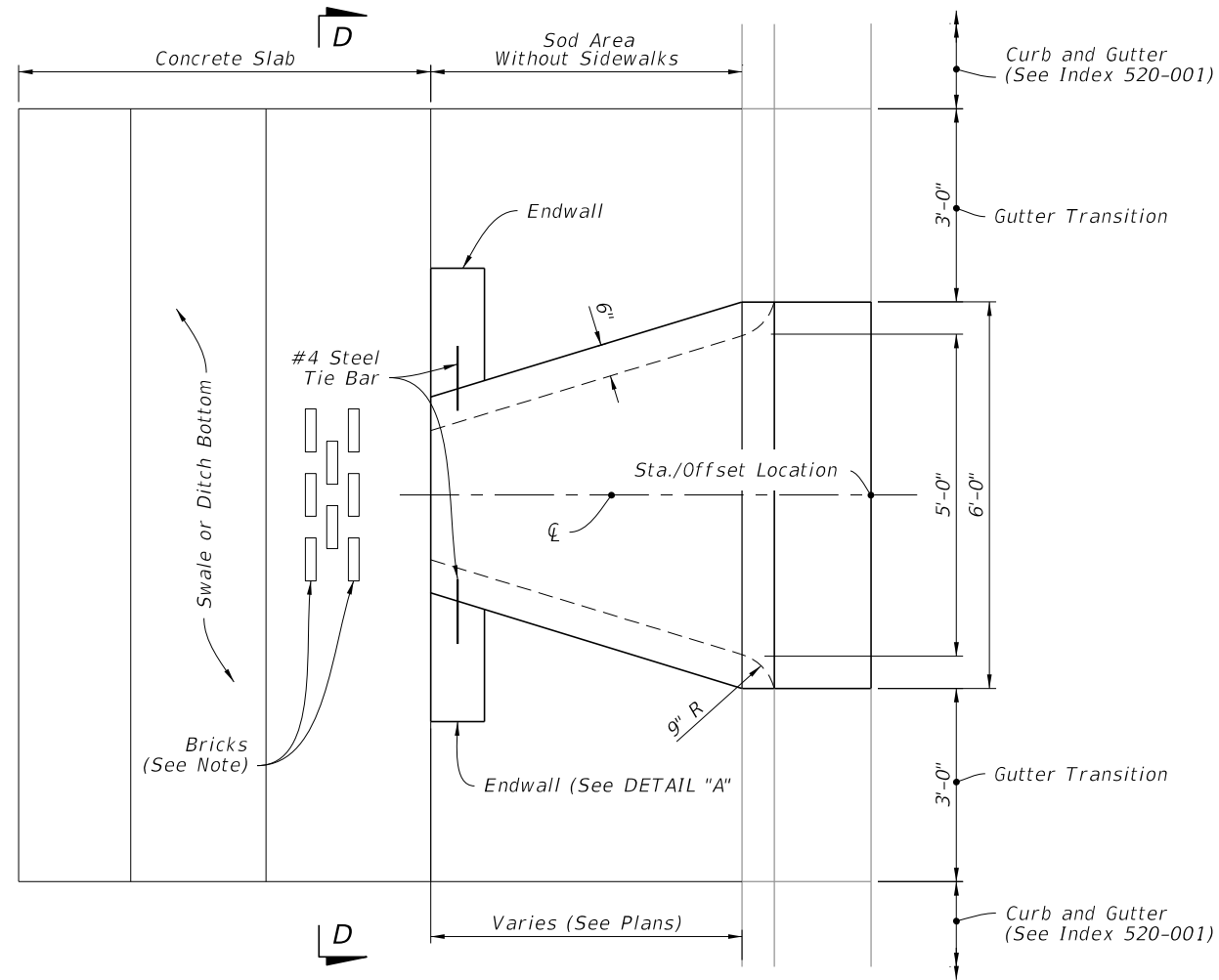
10/6/2022 1:51:12 PM

LAST REVISION 10/01/20	REVISION	DESCRIPTION:
---------------------------	----------	--------------

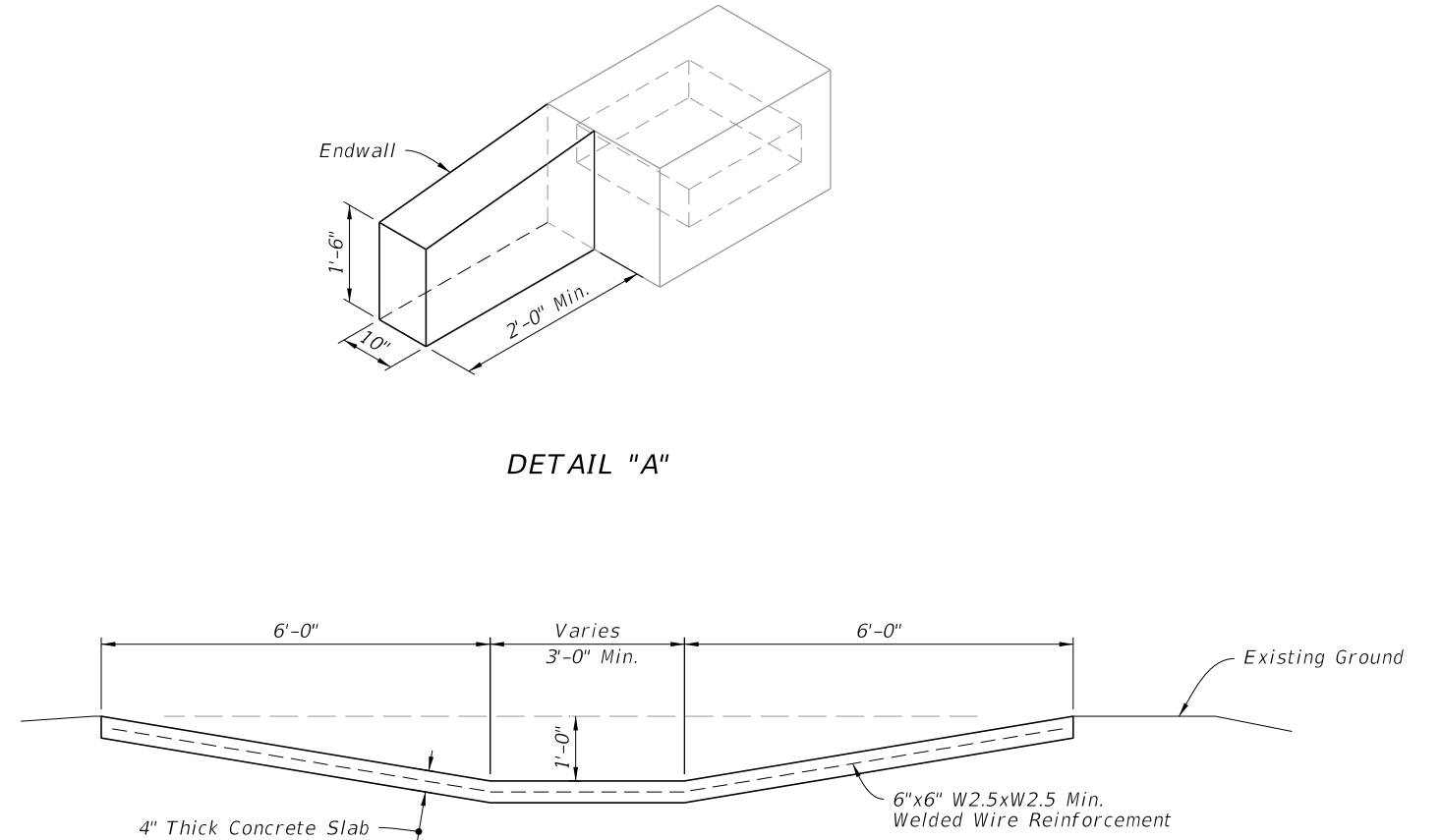
**FY 2023-24  
STANDARD PLANS**

CLOSED FLUME INLET

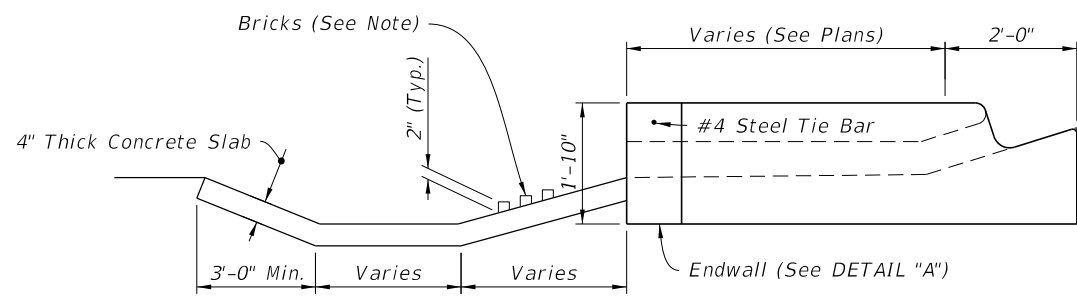
INDEX 425-061	SHEET 3 of 5
------------------	-----------------



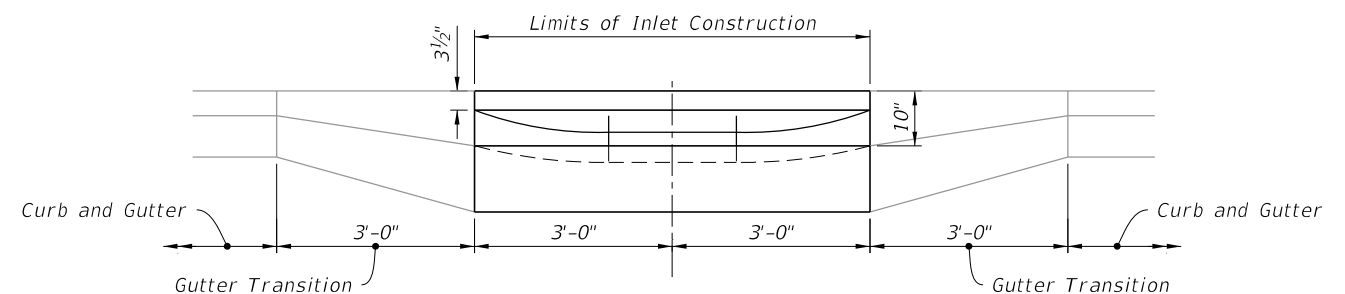
PLAN



SECTION D-D



SIDE ELEVATION



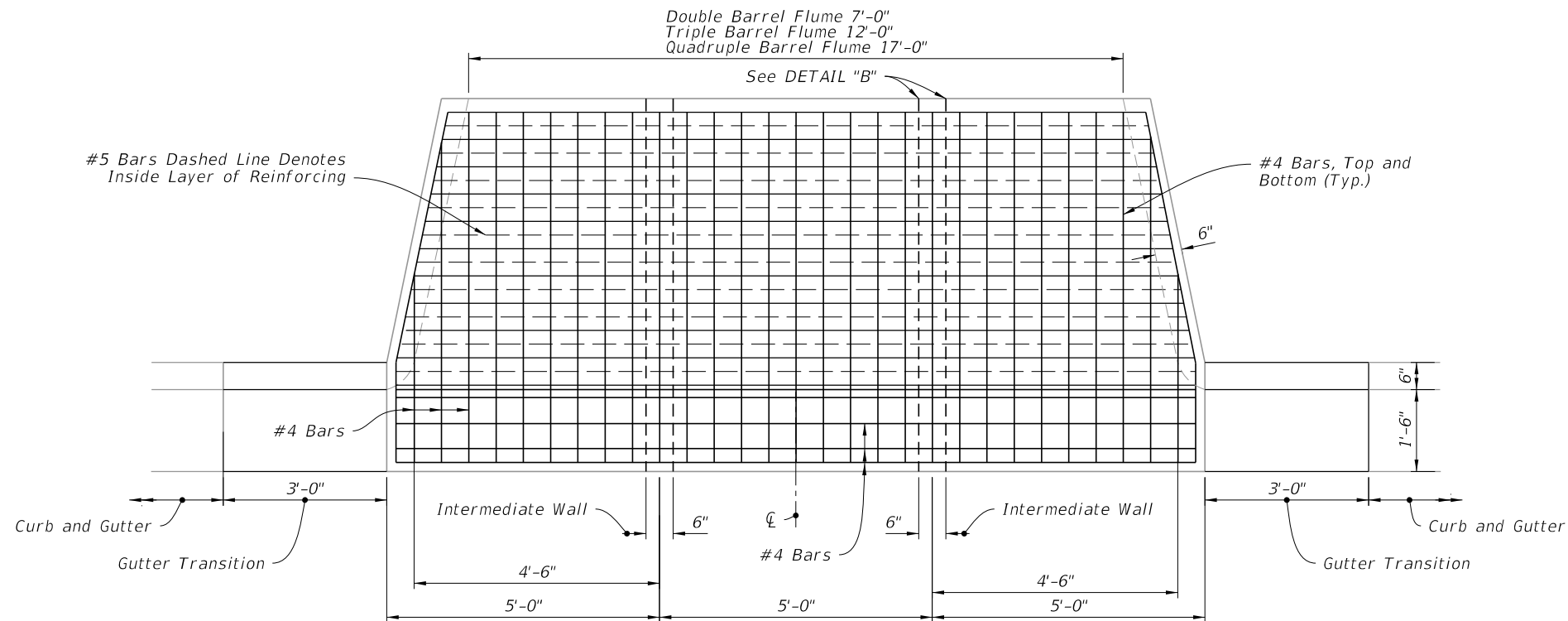
FRONT ELEVATION

**NOTE:**  
When called for in the Plans, install bricks to dissipate energy.

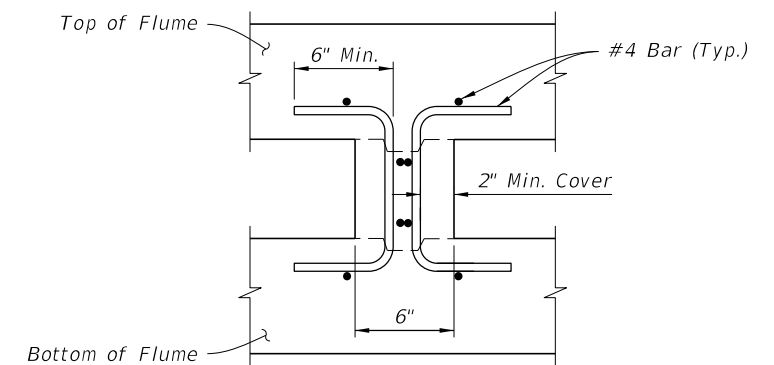
TYPE II DIMENSIONAL DETAILS

10/6/2022 1:51:13 PM

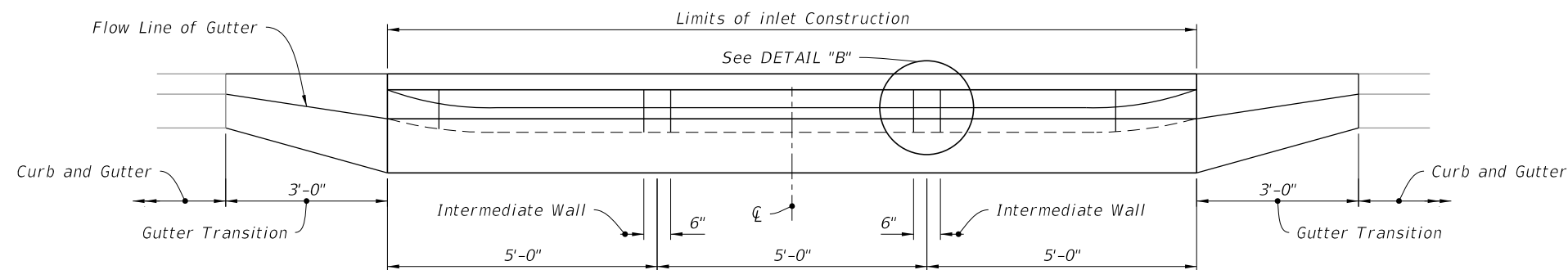
LAST REVISION 10/01/20	DESCRIPTION:		FY 2023-24 STANDARD PLANS	CLOSED FLUME INLET	INDEX	SHEET
			425-061		4 of 5	



PLAN



Intermediate Wall Reinforcing  
DETAIL "B"




FRONT ELEVATION

**NOTE:**

Triple barrel flume shown, double and quadruple similar.

10/6/2022 1:51:14 PM

LAST REVISION 10/01/20	REVISION	DESCRIPTION:	 FY 2023-24 STANDARD PLANS	CLOSED FLUME INLET	INDEX	SHEET
					425-061	5 of 5

**MULTIPLE BARREL FLUMES**