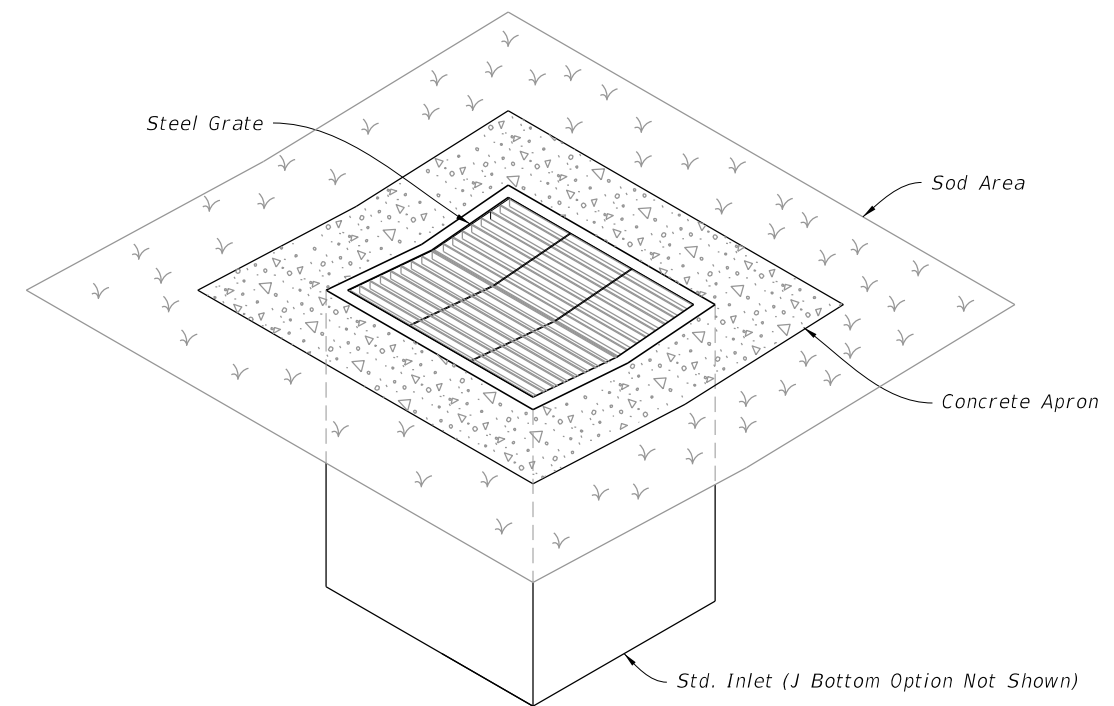


**GENERAL NOTES:**

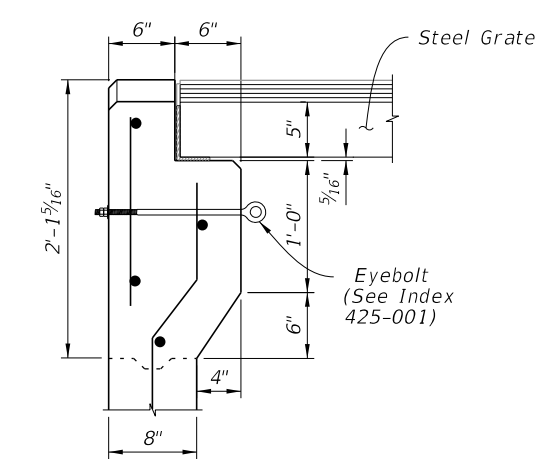
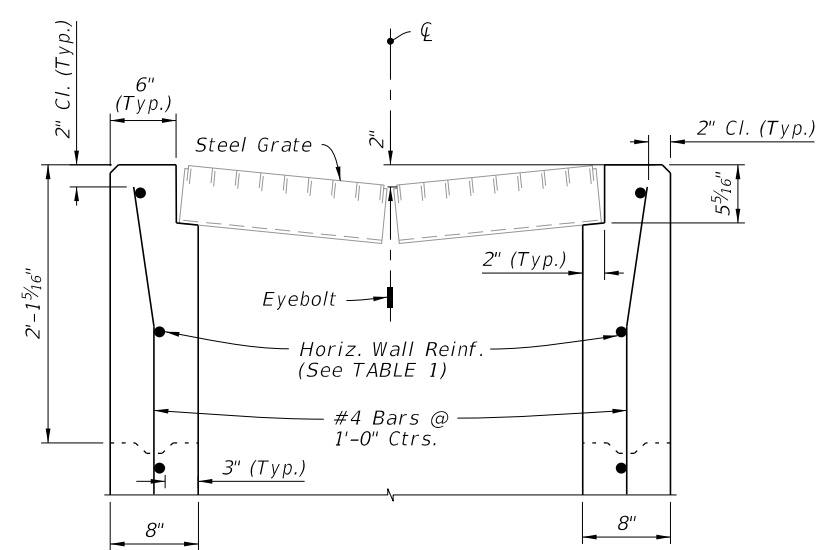
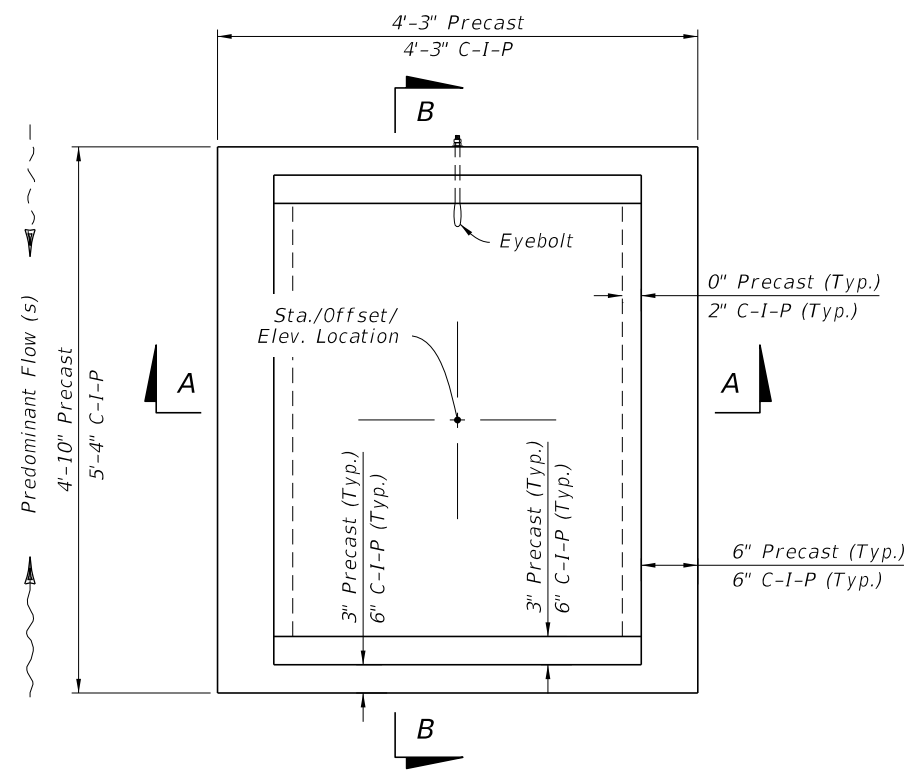
1. Work this Index with Index 425-001 and Index 425-010.
2. Reinforcing bars are Grade 60 bars with 2" minimum cover unless otherwise noted. See Index 425-001 for equivalent area of welded wire fabric. Cut or bend bars out of way of pipe when necessary; bars to clear pipe by 1½".
3. Chamfer all exposed edges and corners ¾" or tooled to ¼" radius.
4. Dimensions are for both precast and cast-in-place inlets unless otherwise noted.
5. Quantities are for informational and estimating purposes only.

TABLE OF CONTENTS:	
Sheet	Description
1	General Notes and Contents
2	Dimensional and Reinforcing Details
3	Grate, Concrete Apron, and Sodded Area Details
4	Alternate A Structure Bottom - Top Slab Details



===== DITCH BOTTOM INLET TYPE J =====  
(Pipe Connection Not Shown)

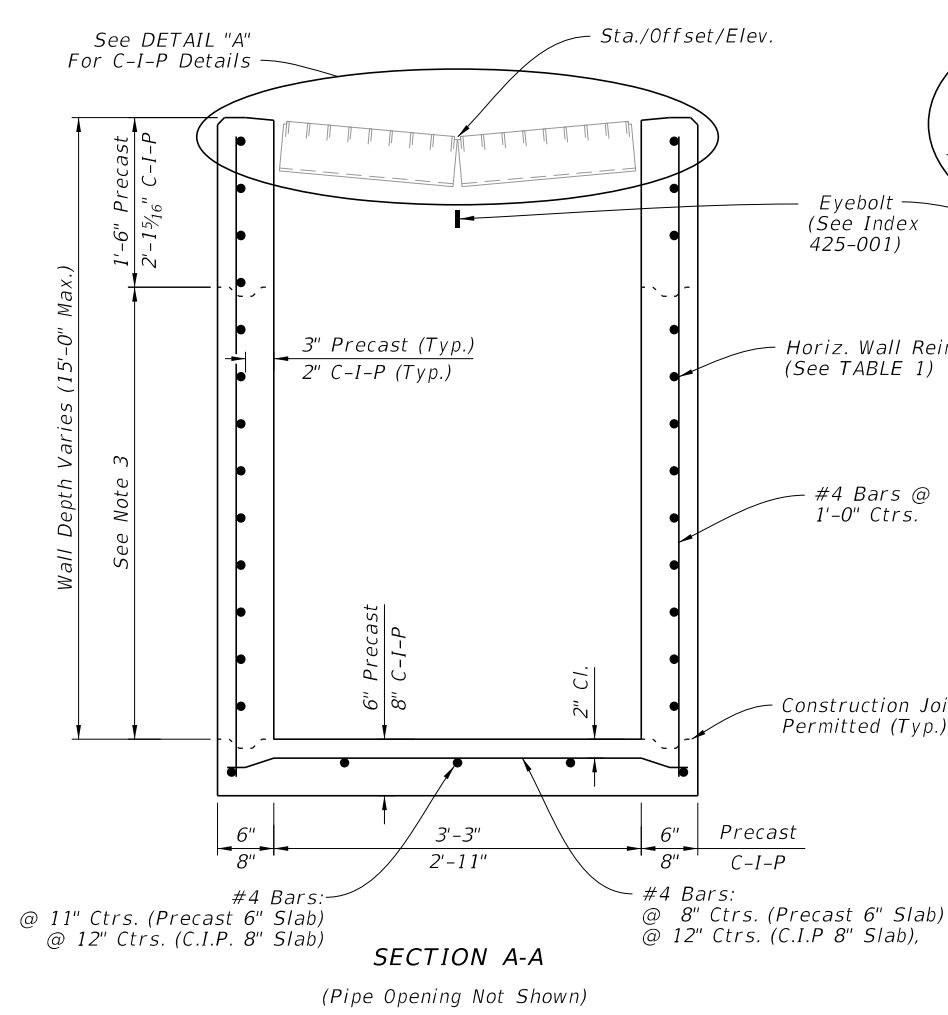
10/6/2022 1:49:43 PM



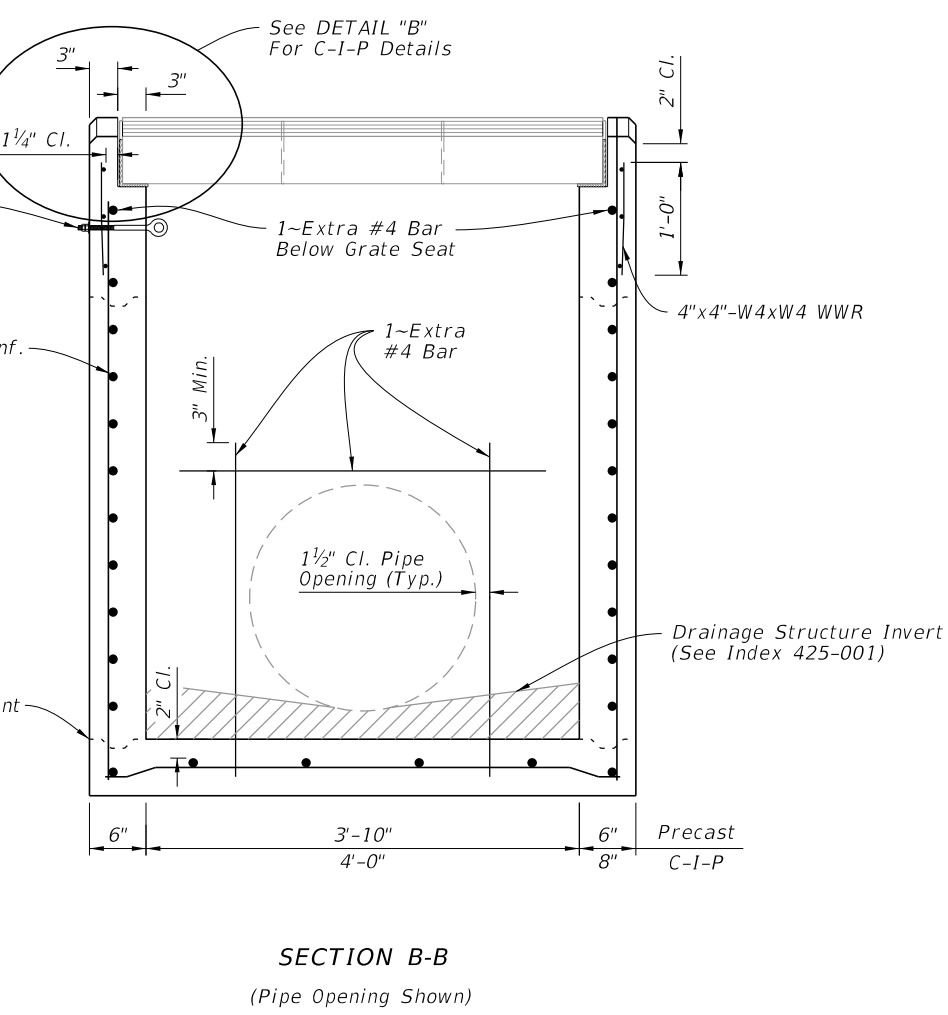
DETAIL "A"

DETAIL "B"

CAST-IN-PLACE OPTION



SECTION A-A  
(Pipe Opening Not Shown)



SECTION B-B  
(Pipe Opening Shown)

**TABLE 1**  
**HORIZONTAL WALL REINFORCING SCHEDULE**

WALL DEPTH	SCHEDULE	AREA (in. <sup>2</sup> /ft.)	MAX. SPACING	
			BARS	WWR
0' - 4'	A12	0.20	12"	8"
4' - 9'	A6	0.20	6"	5"
9' - 12'	A4	0.24	4"	3"
9' - 15'	B5.5	0.24	5 1/2"	5"

**NOTES:**

1. Grate, Concrete Apron, and Sod not shown in Plan View.
2. See Sheet 3 for Concrete Apron and Sodded Area details.
3. Construction joints permitted between these limits. See Index 425-001 for minimum dimensions.

DIMENSIONAL AND REINFORCING DETAILS

DIMENSIONAL AND REINFORCING DETAILS

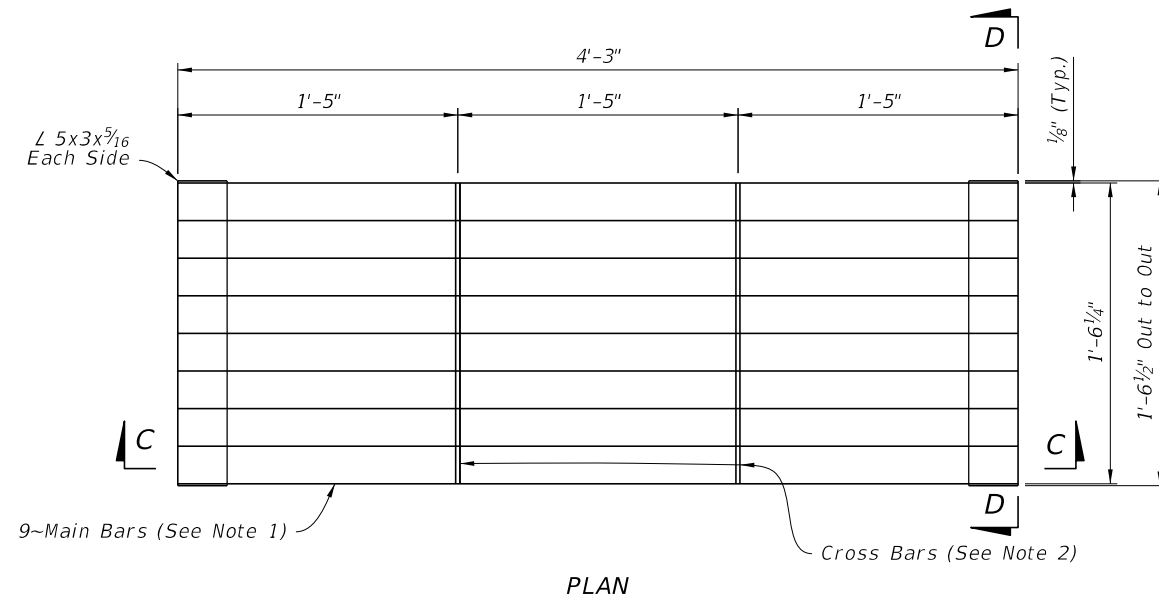
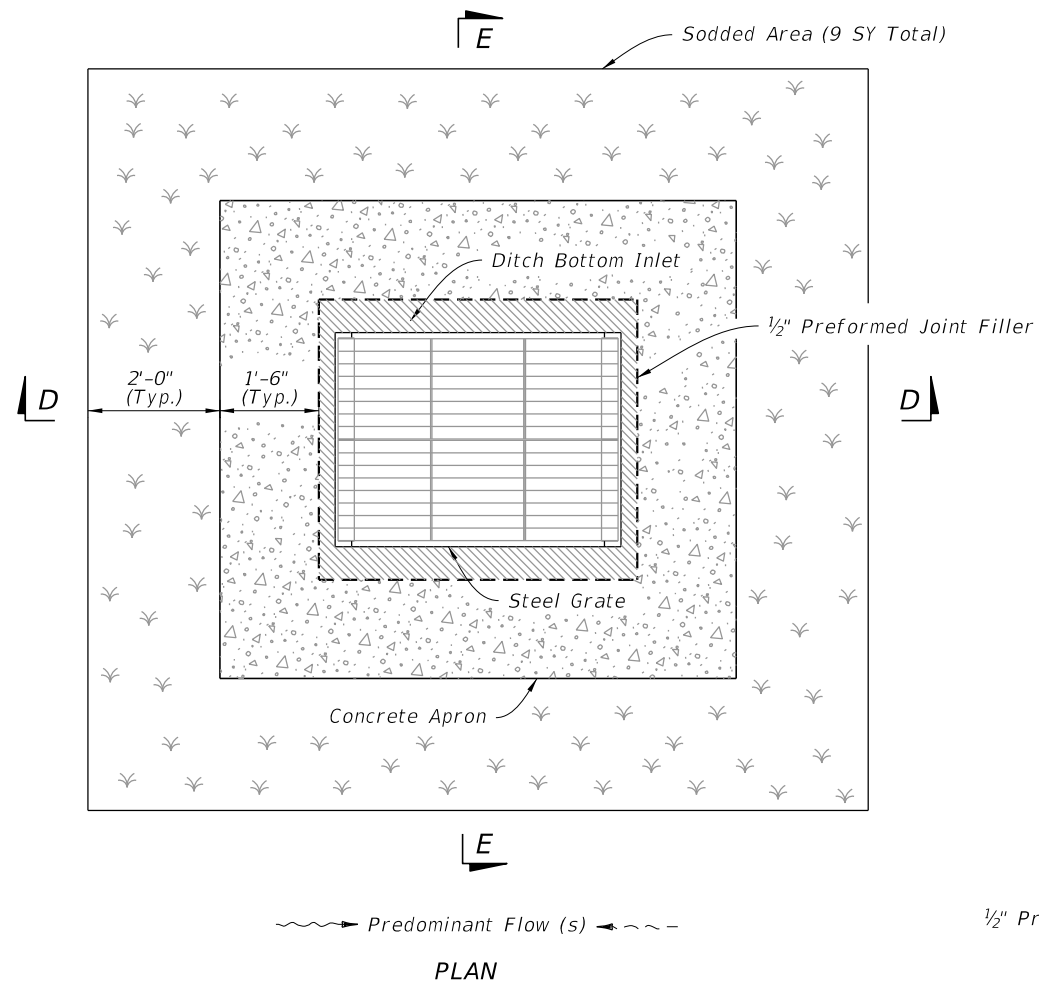
10/6/2022 1:49:44 PM

LAST REVISION 10/01/20	DESCRIPTION:
---------------------------	--------------

**FY 2023-24  
STANDARD PLANS**

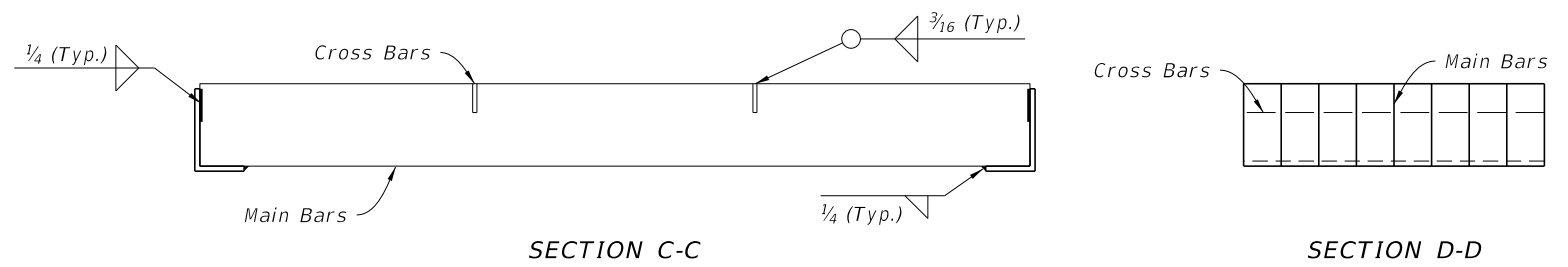
DITCH BOTTOM INLET TYPE J

INDEX 425-054	SHEET 2 of 4
------------------	-----------------

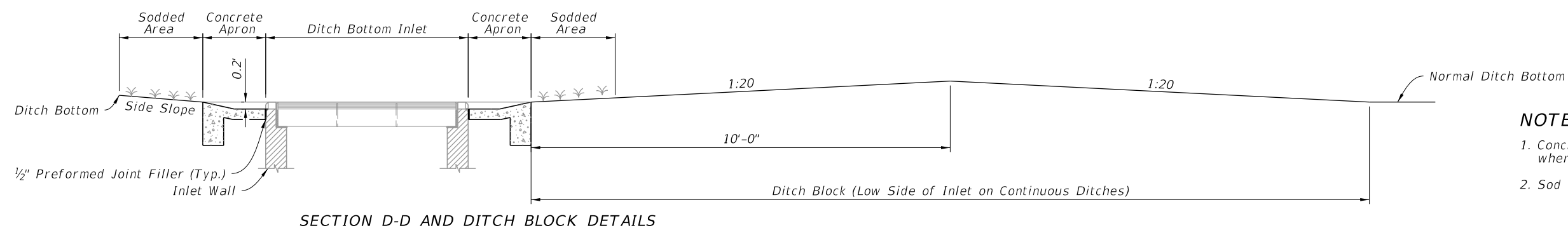
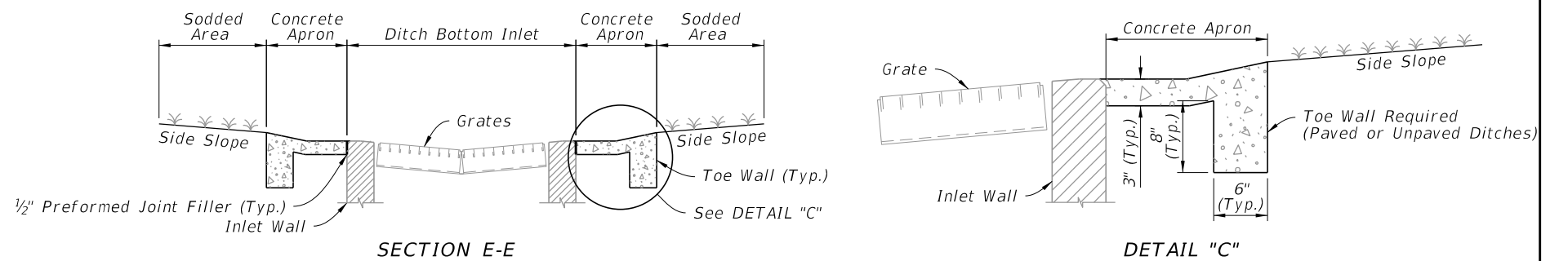


**NOTES:**

1. Main Bars are 5"x<sup>1</sup>/<sub>4</sub>" and are notched for Cross Bars.
2. Cross Bars are 1<sup>3</sup>/<sub>4</sub>"x<sup>1</sup>/<sub>4</sub>" and continuously welded at Main Bar Notches.
3. Main Bars and Cross Bars are flush on top.



**STEEL GRATE DETAIL**



**NOTES:**

1. Concrete Apron to be installed only where called for in the Plans.
2. Sod always required.

**CONCRETE APRON AND SODDED AREA DETAILS**

**GRATE, CONCRETE APRON, AND SODDED AREA DETAILS**

10/6/2022 1:49:45 PM

LAST REVISION	DESCRIPTION:
10/01/20	



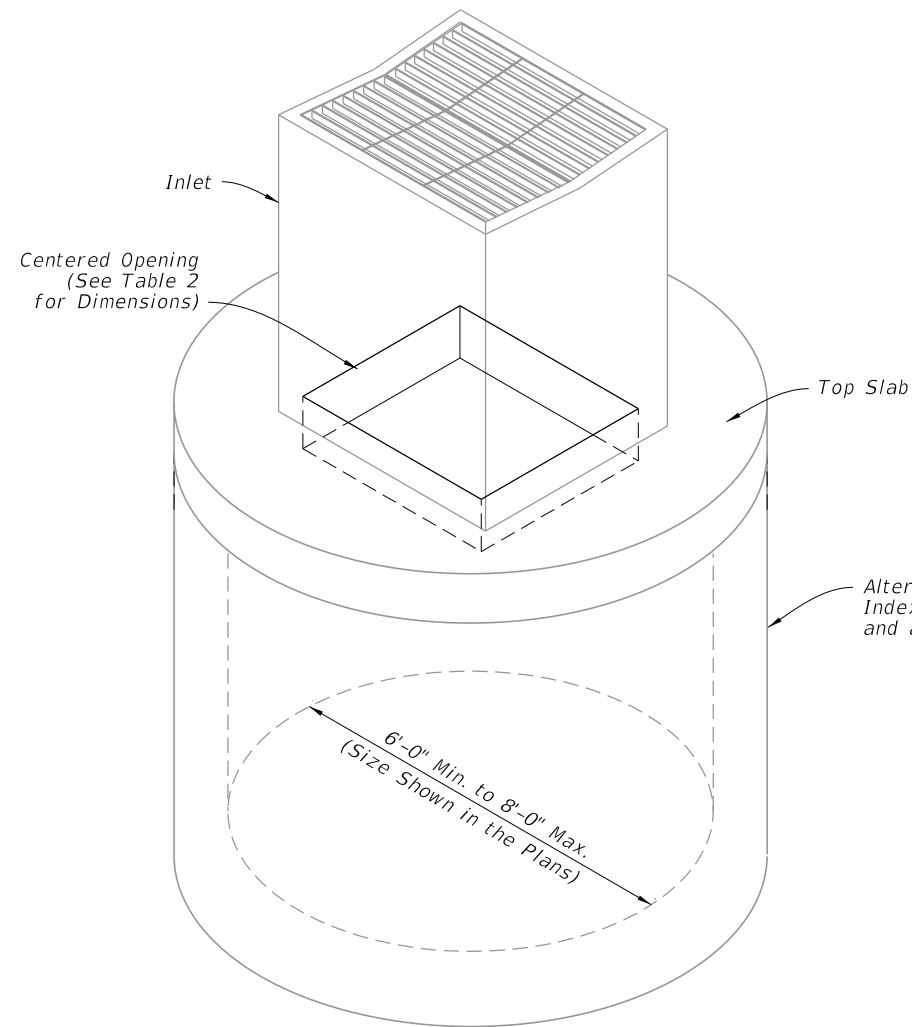
FY 2023-24  
STANDARD PLANS

DITCH BOTTOM INLET TYPE J

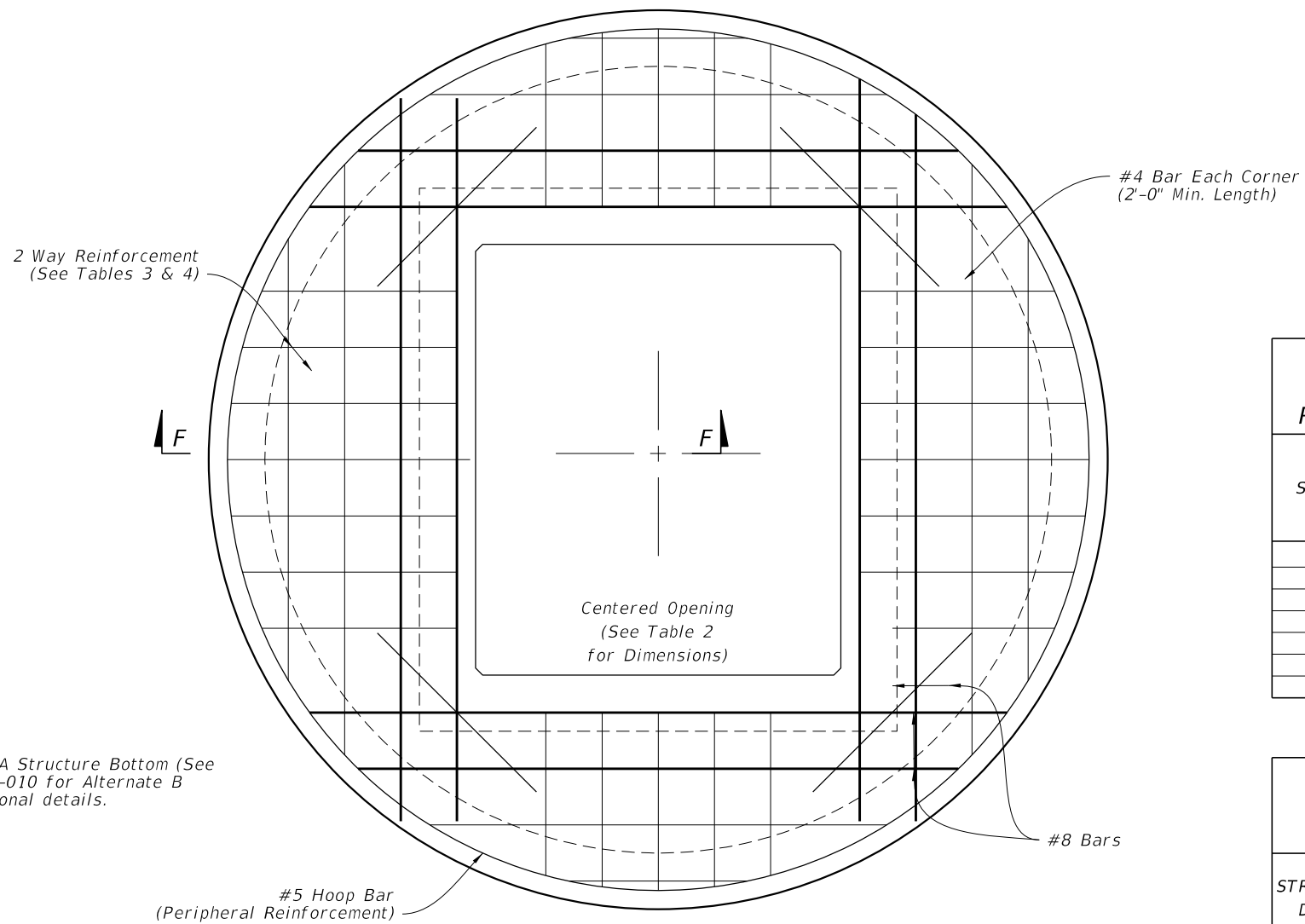
INDEX  
425-054

SHEET  
3 of 4

10/19/2022 8:02:56 AM

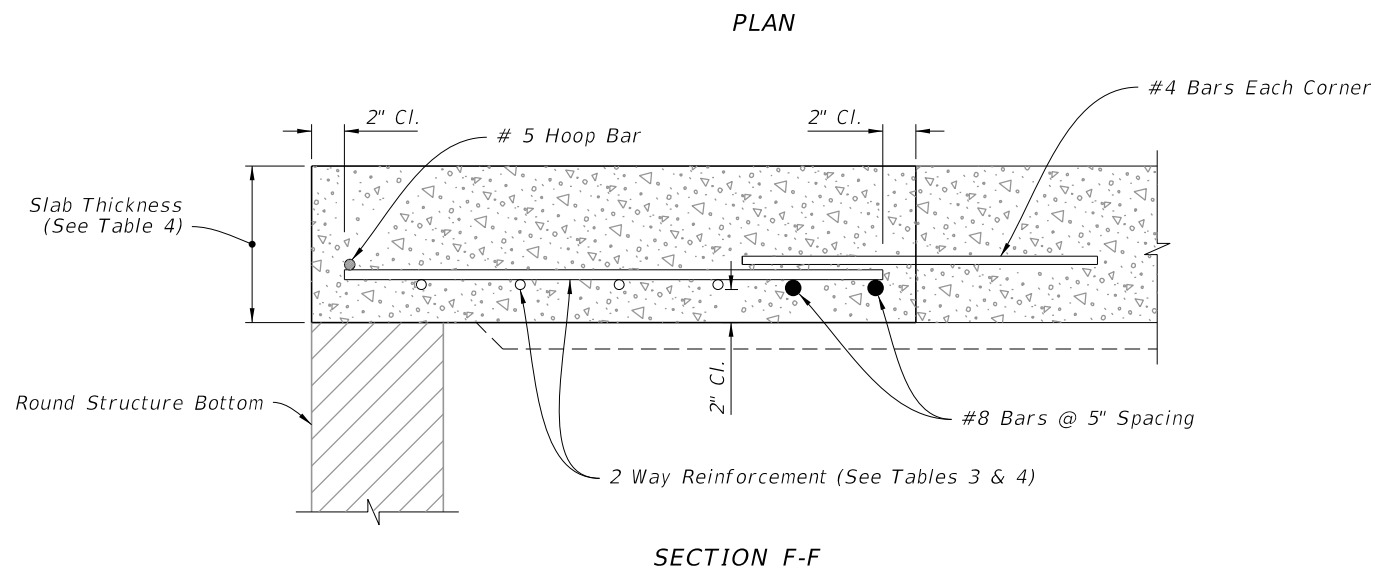


BOTTOM STRUCTURE DIAMETER	OPENING SIZE	
	Min.	Max.
6'-0" to 8'-0"	3'-8" x 4'-2"	3'-10" x 4'-2"



SCHEDULE	GRADE 60 (BAR) OR 65 KSI & 70 KSI (WIRE REINFORCING) In. <sup>2</sup> /ft.
A	0.20
B	0.24
C	0.37
D	0.53
E	0.73
F	1.06
G	1.45

STRUCTURE DEPTH	SLAB THICKNESS	REINFORCING (2 WAY) SCHEDULE
SIZE: 6'-0"		
0.5' < 8'	9 1/2"	B
8' < 18'	9 1/2"	C
18' < 30'	9 1/2"	D
30' < 37'	9 1/2"	E
37' - 40'	9 1/2"	G
SIZE: 8'-0"		
≥ 0.5' < 9'	11 1/2"	C
9' < 15'	11 1/2"	D
15' < 23'	11 1/2"	E
23' < 33'	11 1/2"	E
33' - 40'	11 1/2"	G



ISOMETRIC VIEW

TOP SLAB REINFORCEMENT DETAILS

ALTERNATE A STRUCTURE BOTTOM - TOP SLAB DETAILS

LAST REVISION	DESCRIPTION:
10/01/20	



FY 2023-24  
STANDARD PLANS

DITCH BOTTOM INLET TYPE J

INDEX	SHEET
425-054	4 of 4