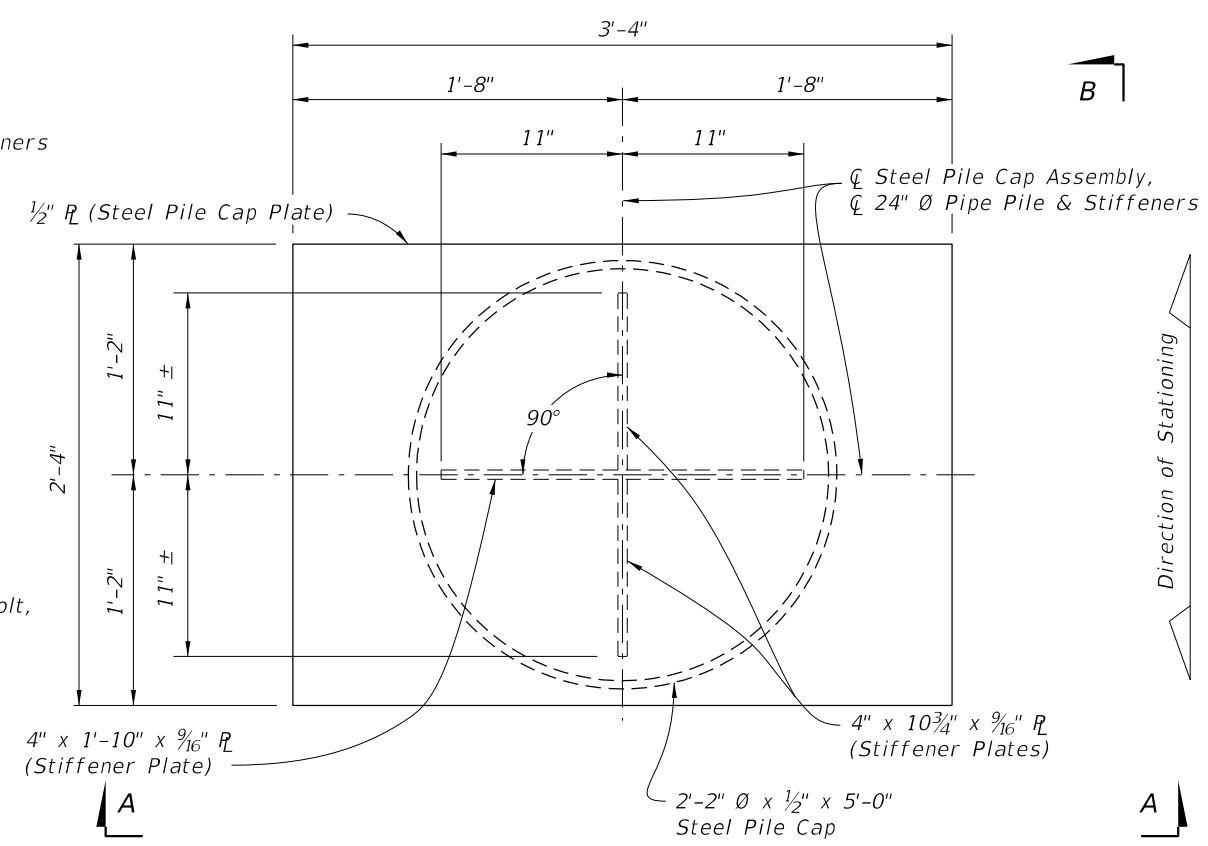
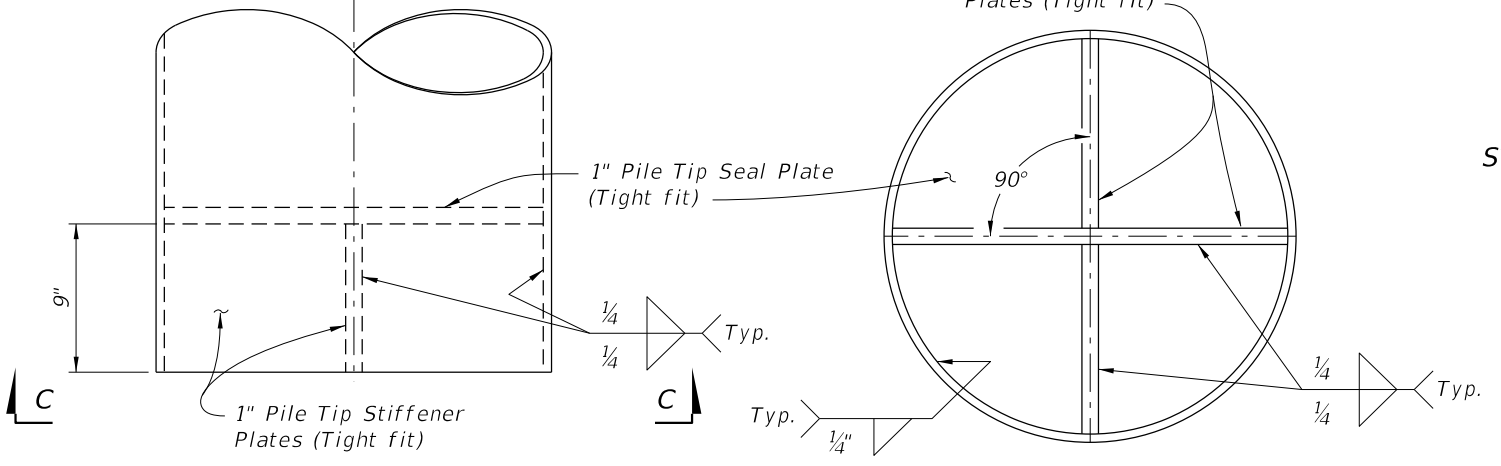


PARTIAL VIEW A-A

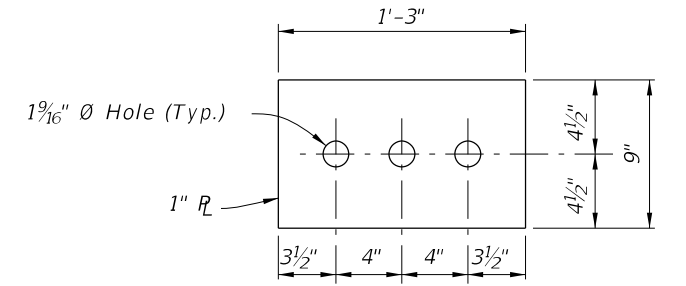


PLAN VIEW STEEL PILE CAP ASSEMBLY
(Bearing Plates and Bearing Keeper Bars not show for clarity)



VIEW B-B

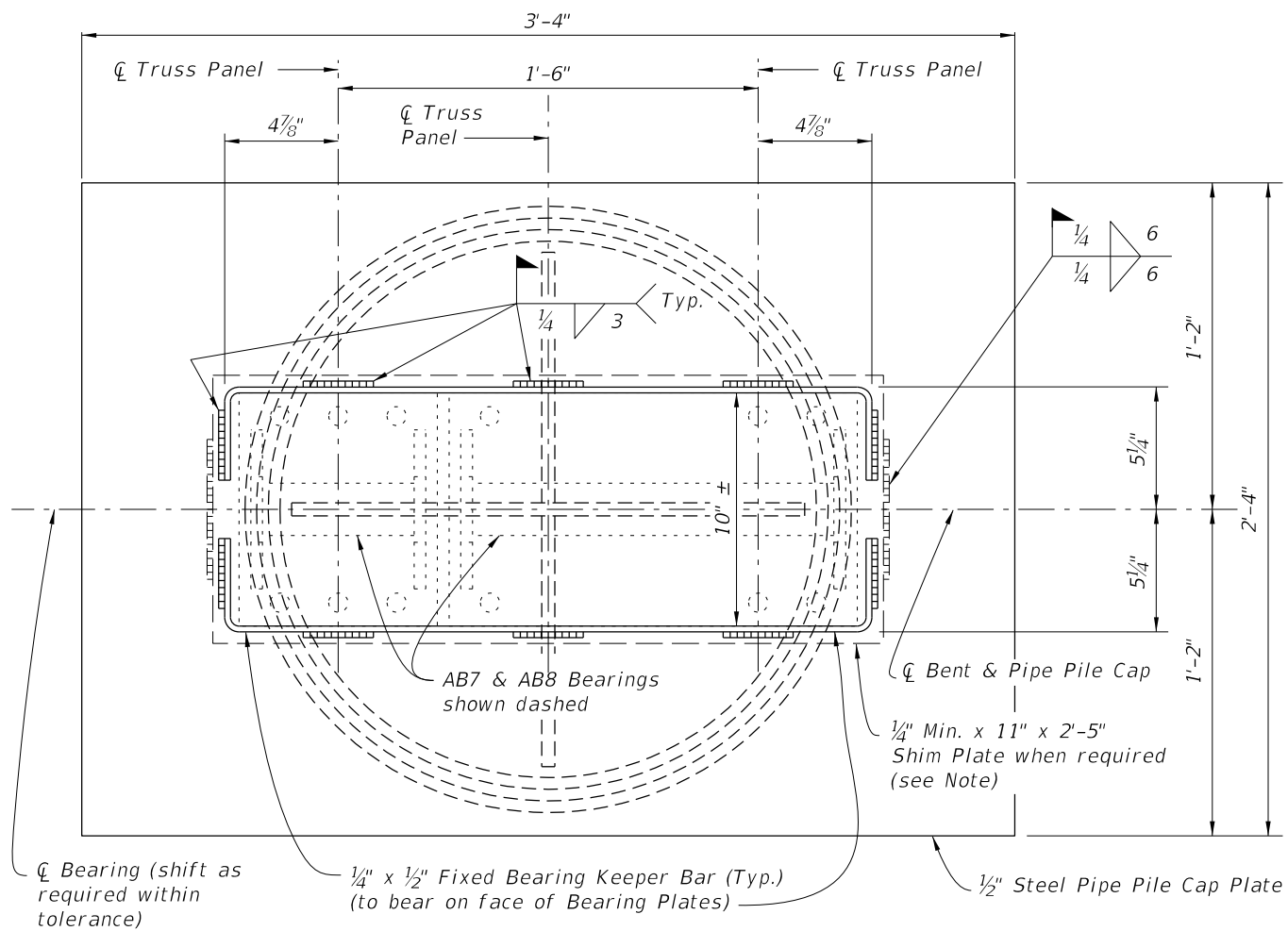
VIEW C-C
PILE TIP DETAIL



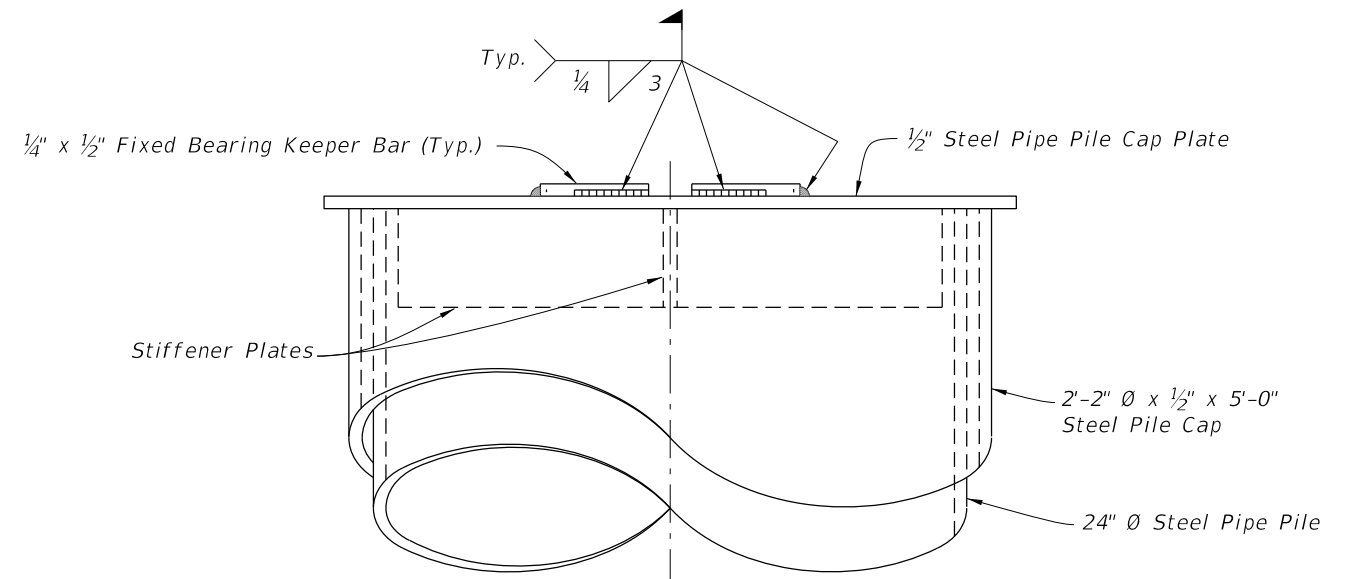
STRUT CONNECTOR PLATE DETAIL

10/16/2022 10:45:38 AM

| | | | | | | | |
|---------------------------|----------|--------------|--|------------------------------|--|------------------|-----------------|
| LAST REVISION 07/01/15 | REVISION | DESCRIPTION: | | FY 2023-24 STANDARD PLANS | TEMPORARY DETOUR BRIDGE DETAILS STEEL PIPE PILE FOUNDATIONS | INDEX 102-230 | SHEET 1 of 3 |
|---------------------------|----------|--------------|--|------------------------------|--|------------------|-----------------|

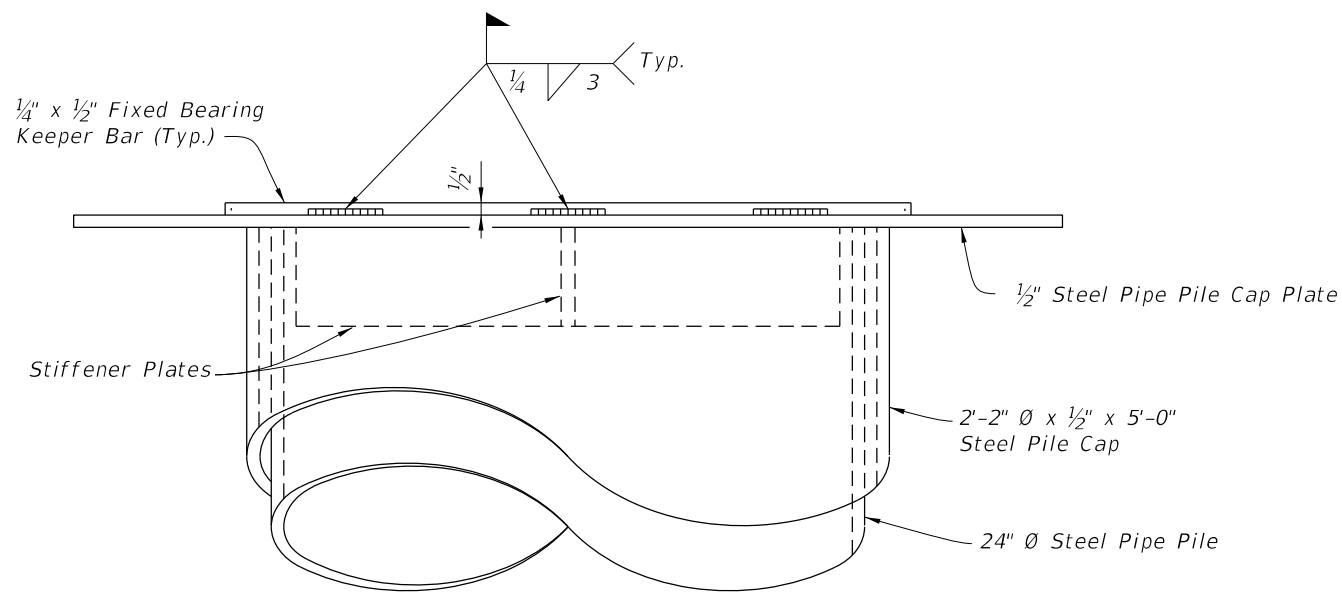


PARTIAL PLAN VIEW

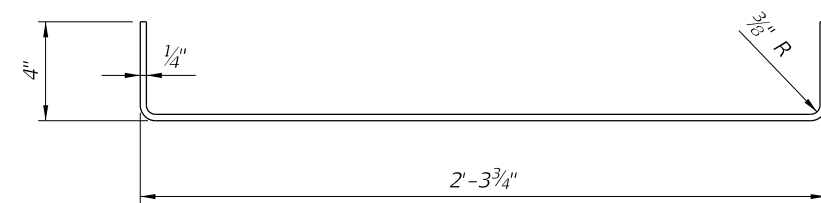


END VIEW

Note:
Use Shim Plates as required to provide equal bearing seat elevations across the bent. Vary thickness of Shim Plate across the pile cap plate to provide a level bearing area in the transverse direction.




PARTIAL ELEVATION VIEW

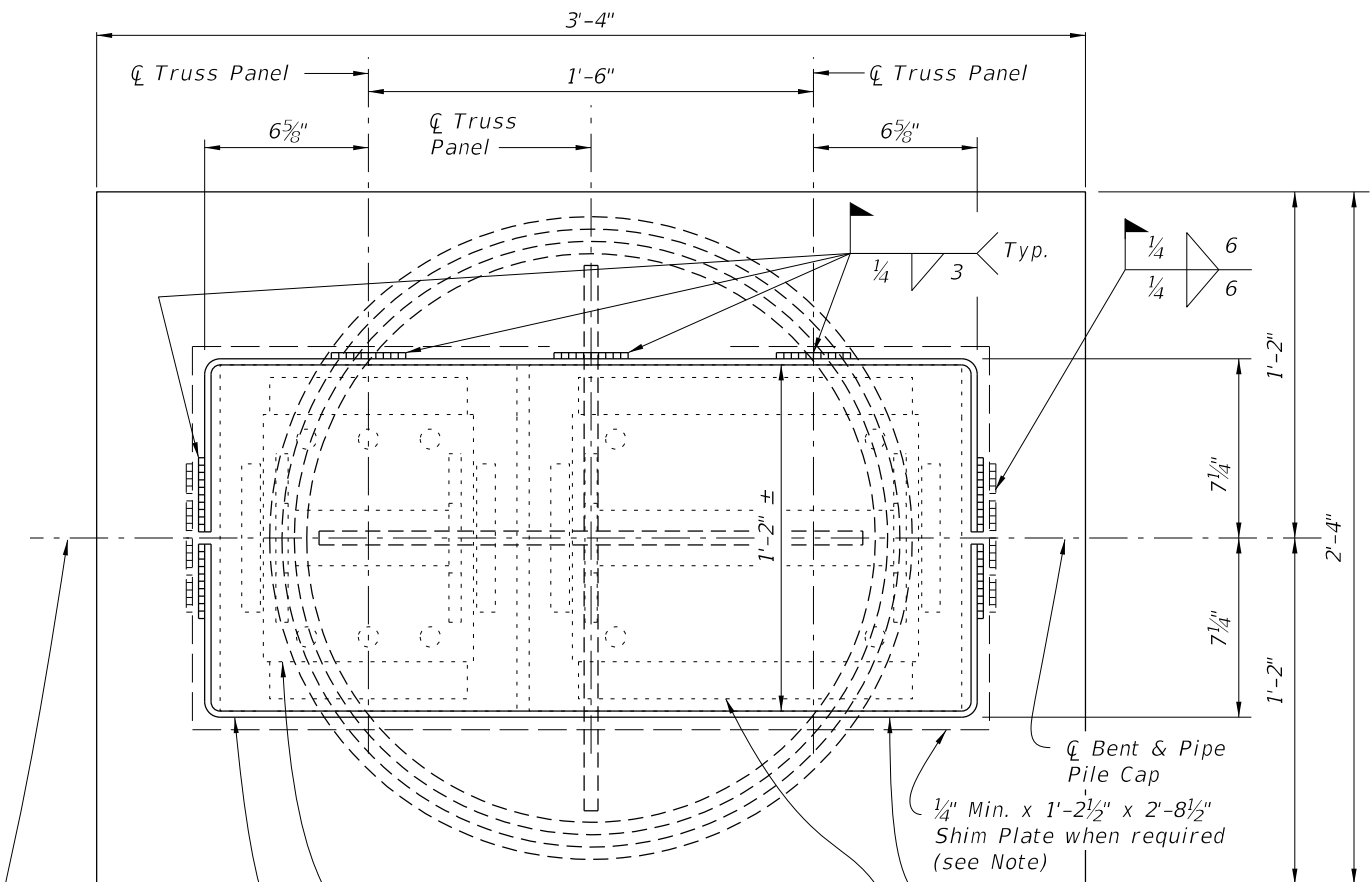


FIXED BEARING KEEPER BAR DETAIL

FIXED BEARING DETAILS

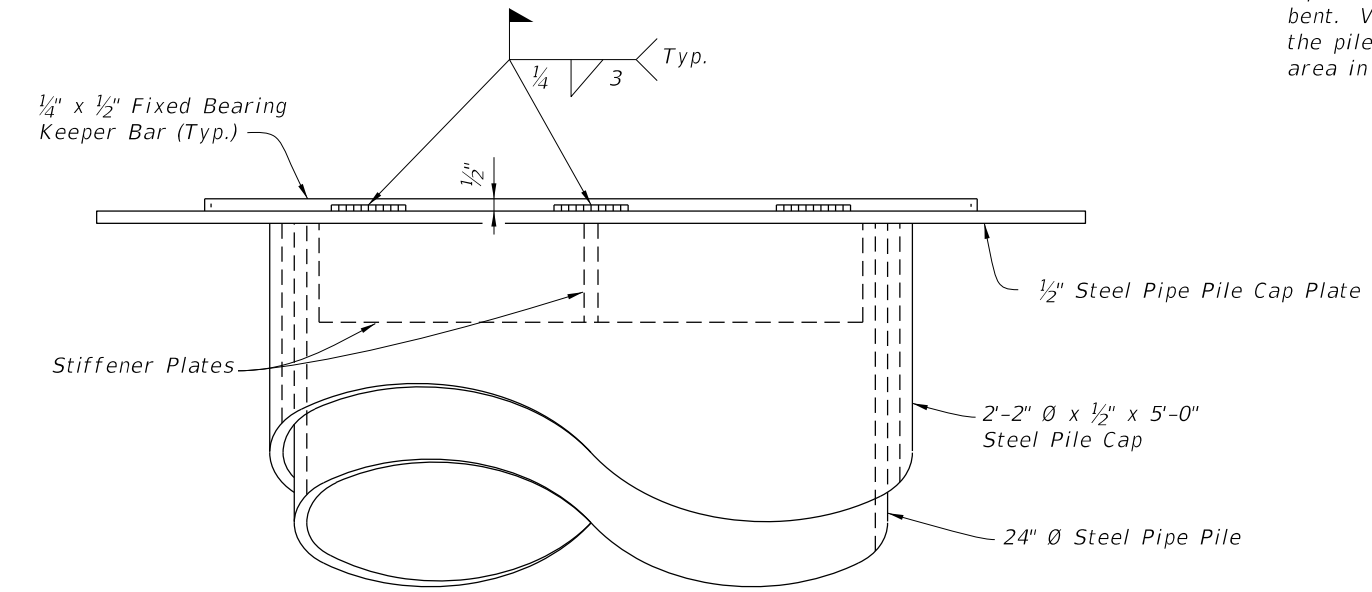
10/16/2022 10:45:39 AM

| | | | | | | | |
|---------------------------|----------|--------------|---|------------------------------|--|------------------|-----------------|
| LAST REVISION 01/01/16 | REVISION | DESCRIPTION: |  | FY 2023-24 STANDARD PLANS | TEMPORARY DETOUR BRIDGE DETAILS STEEL PIPE PILE FOUNDATIONS | INDEX 102-230 | SHEET 2 of 3 |
|---------------------------|----------|--------------|---|------------------------------|--|------------------|-----------------|

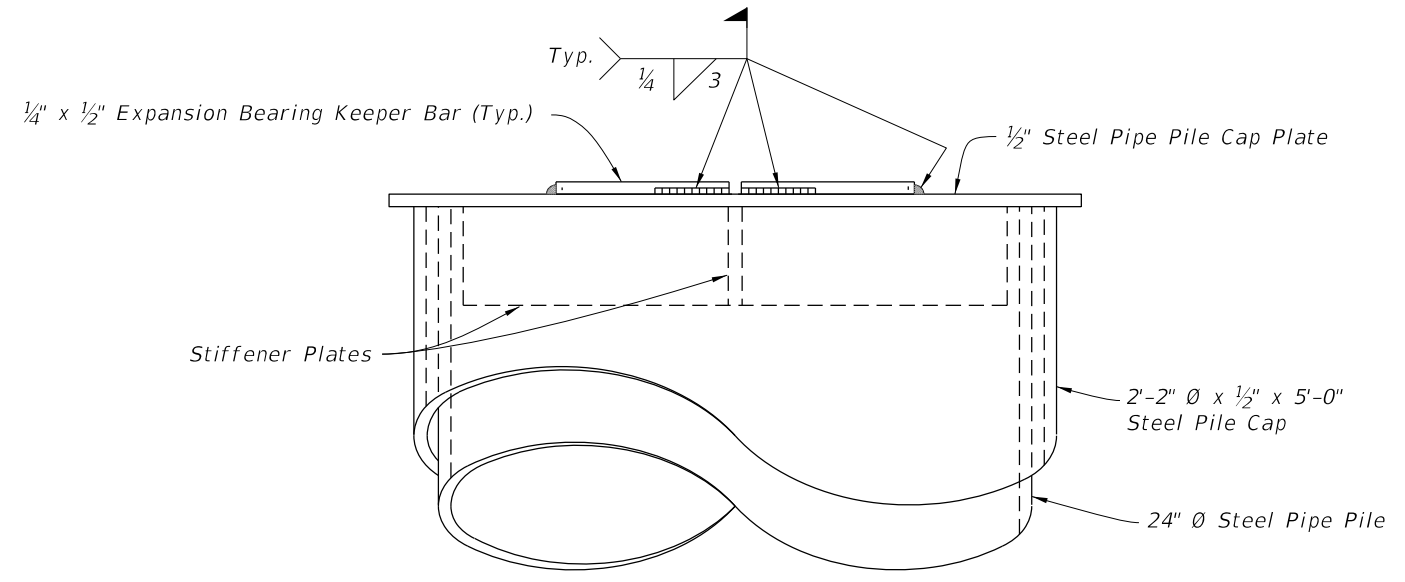


CL Bearing (shift as required within tolerance)
 Expansion Bearing Assemblies shown dashed
 $\frac{1}{4}$ " x $\frac{1}{2}$ " Expansion Bearing Keeper Bar (Typ.) (to bear on face of Bearing Plates)
 $\frac{1}{2}$ " Steel Pipe Pile Cap Plate
 CL Bent & Pipe Pile Cap
 $\frac{1}{4}$ " Min. x $1'-2\frac{1}{2}$ " x $2'-8\frac{1}{2}$ " Shim Plate when required (see Note)

PARTIAL PLAN VIEW

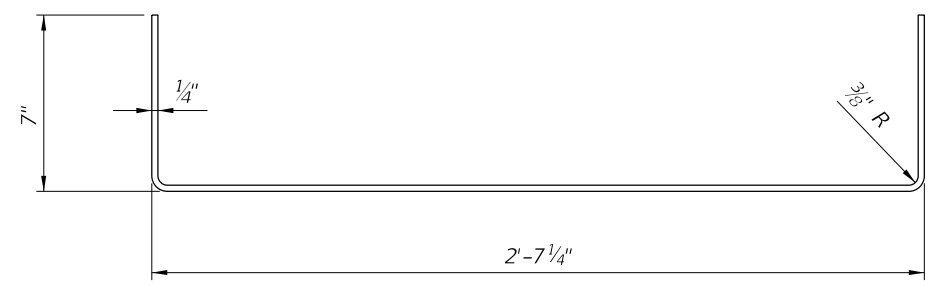


PARTIAL ELEVATION VIEW



END VIEW


Note:
 Use Shim Plates as required to provide equal bearing seat elevations across the bent. Vary thickness of Shim Plate across the pile cap plate to provide a level bearing area in the transverse direction.



EXPANSION BEARING KEEPER BAR DETAIL

ABUTMENT AND INTERMEDIATE EXPANSION BEARING DETAILS

10/16/2022 10:45:39 AM

| | | | | | | | |
|---------------------------|----------|--------------|--|------------------------------|--|------------------|-----------------|
| LAST REVISION 01/01/16 | REVISION | DESCRIPTION: |  | FY 2023-24 STANDARD PLANS | TEMPORARY DETOUR BRIDGE DETAILS STEEL PIPE PILE FOUNDATIONS | INDEX 102-230 | SHEET 3 of 3 |
|---------------------------|----------|--------------|--|------------------------------|--|------------------|-----------------|