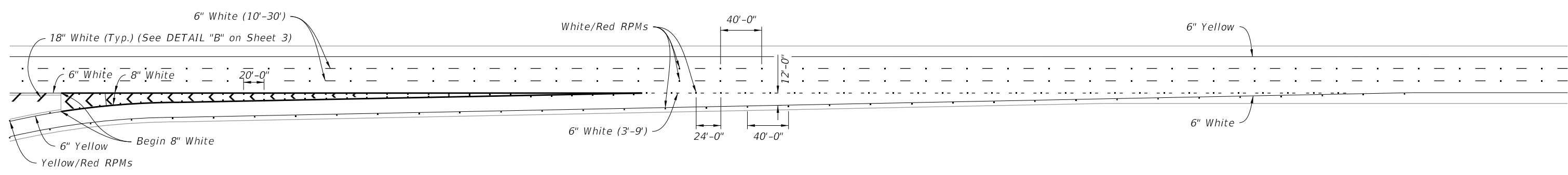
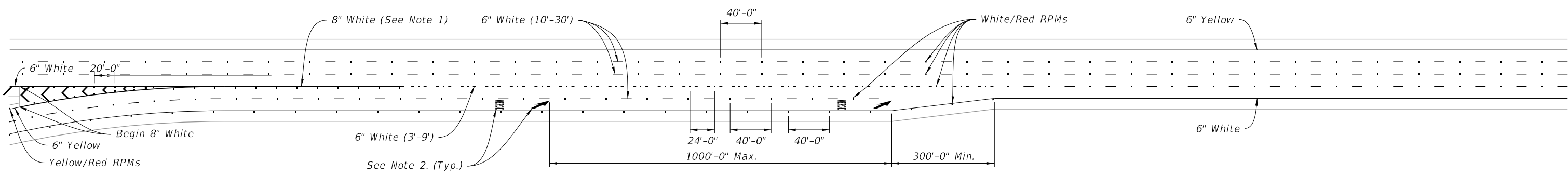


PARALLEL-TYPE ENTRANCE WITH ADDED LANE



TAPER-TYPE ENTRANCE



TWO-LANE PARALLEL-TYPE ENTRANCE WITH ADDED LANE  
(Single-Lane Parallel-Type Entrance Without Added Lane Similar, See Note 3)

NOTES:

- Extend this 8" white Pavement Marker one-fourth the length of the acceleration lane from the gore markings.
- See Index 711-001 for pavement message, dimensions and details.
- Discontinue the 6" White (3'-9') Dotted Interchange Line where the merging taper begins for a Single-Lane Parallel-Type Entrance Without Added Lane. Merge Pavement Message and Arrow only used for Two-Lane Entrances.

Revised Note to clarify use of dotted interchange line.

TYPICAL PAVEMENT MARKINGS AT ENTRANCE RAMPS

10/6/2022 2:41:44 PM

LAST REVISION 11/01/21	DESCRIPTION	FDOT	FY 2023-24 STANDARD PLANS	INTERCHANGE MARKINGS	INDEX 711-003	SHEET 2 of 8
---------------------------	-------------	------	------------------------------	----------------------	------------------	-----------------