

GENERAL NOTES:

1. Meet the requirements of Specification 700.
2. Work this Index in conjunction with SPAN SIGN STRUCTURE DATA TABLES in the Plans and Index 700-030.
3. Handholes at the pole base are required for DMS Structures. Refer to Index 700-090 for Handhole Details.
4. Shop Drawings are required.

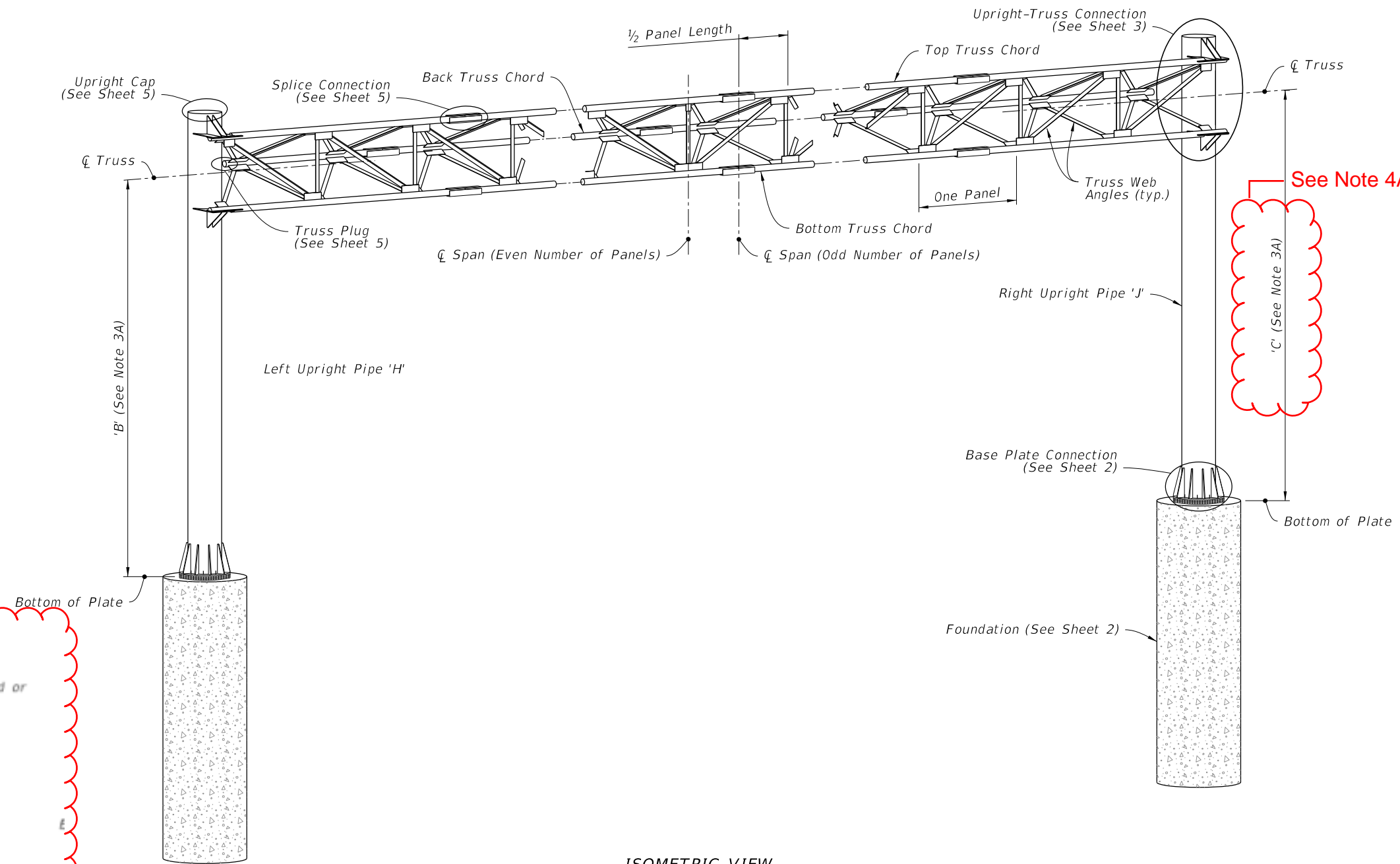
Obtain Shop Drawing approval prior to fabrication. Include the following:

- A. Upright Pipe height ('C' & 'B') and foundation elevations: Verify dimensions in the field prior to submittal to ensure minimum vertical clearances of the sign panel over the roadway.
- B. Height of the foundation above adjacent ground.
- C. Anchor bolt orientation with respect to centerline of truss and the direction of traffic.
- D. Method to be used to provide the required parabolic camber (see Camber Diagram).
- E. Handholes at pole base (when required).

5. Provide a parabolic camber with the required upward deflection as shown on the Camber Diagram.

6. Materials:

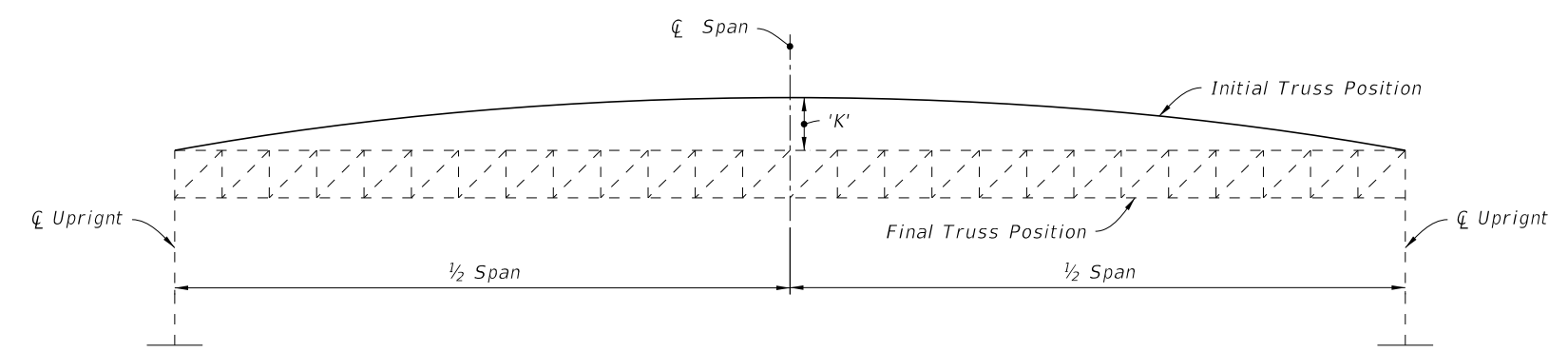
- A. Sign Structure:
 - a. Upright and Chords (Steel Pipe): API 5L X42 PSL2, 42 ksi yield or ASTM A500, Grade B (Min.)
 - b. Steel Angles and Plates: ASTM A709 grade 36
- B. Bolts, Nuts and Washers:
 - a. High Strength Bolts: ASTM F3125, Grade A325, Type 1
 - b. Nuts: ASTM A563, Grade DH Heavy-Hex
 - c. Washers: ASTM F436, Type 1, one under turned element
- C. Anchor Bolts, Nuts and Washers
 - a. Anchor Bolts: ASTM F1554 Grade 55
 - b. Nuts: ASTM A563 Grade A Heavy-Hex (5 per bolt)
 - c. Plate Washers: ASTM A36 (2 per bolt)



ISOMETRIC VIEW


SPAN SIGN ASSEMBLY

CLARIFIED NOTES



CAMBER DIAGRAM

10/6/2022 2:37:43 PM

LAST REVISION 11/01/22	REVISION	DESCRIPTION:	 FY 2023-24 STANDARD PLANS	SPAN SIGN STRUCTURE	INDEX 700-041	SHEET 1 of 5
---------------------------	----------	--------------	--	---------------------	------------------	-----------------