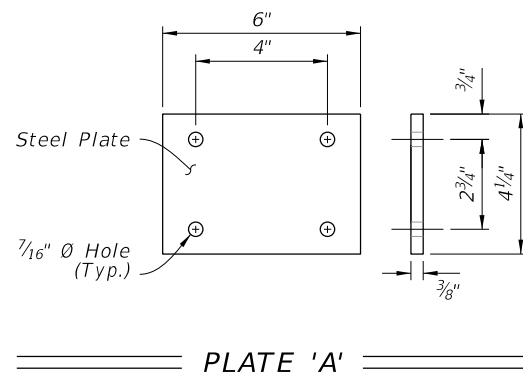
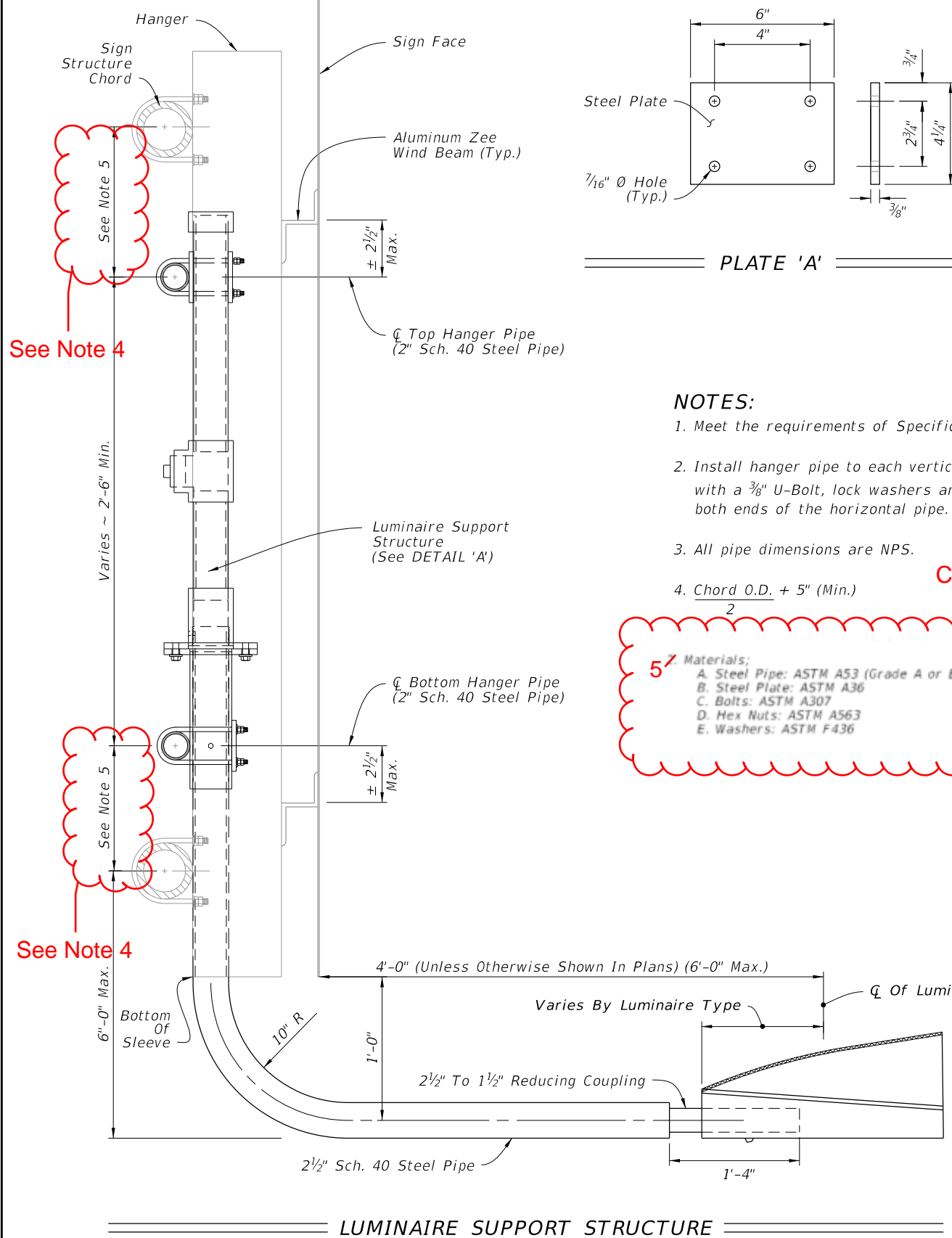
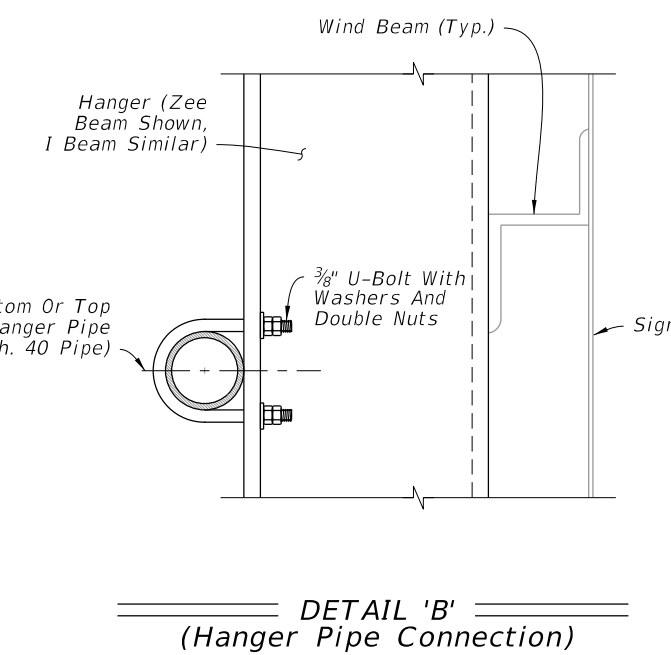
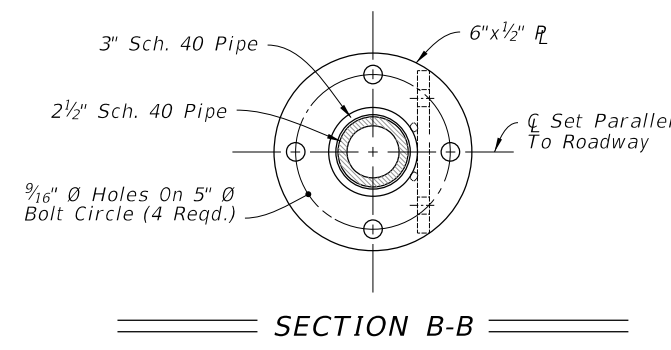
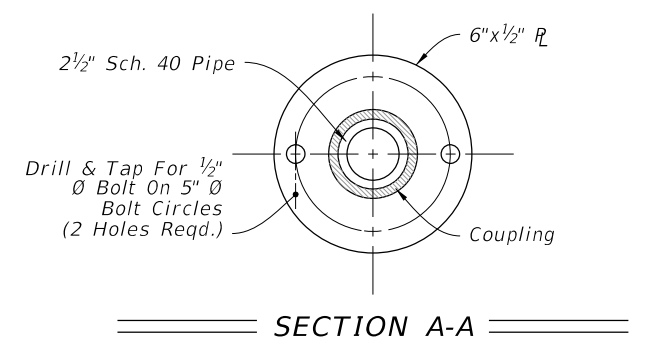
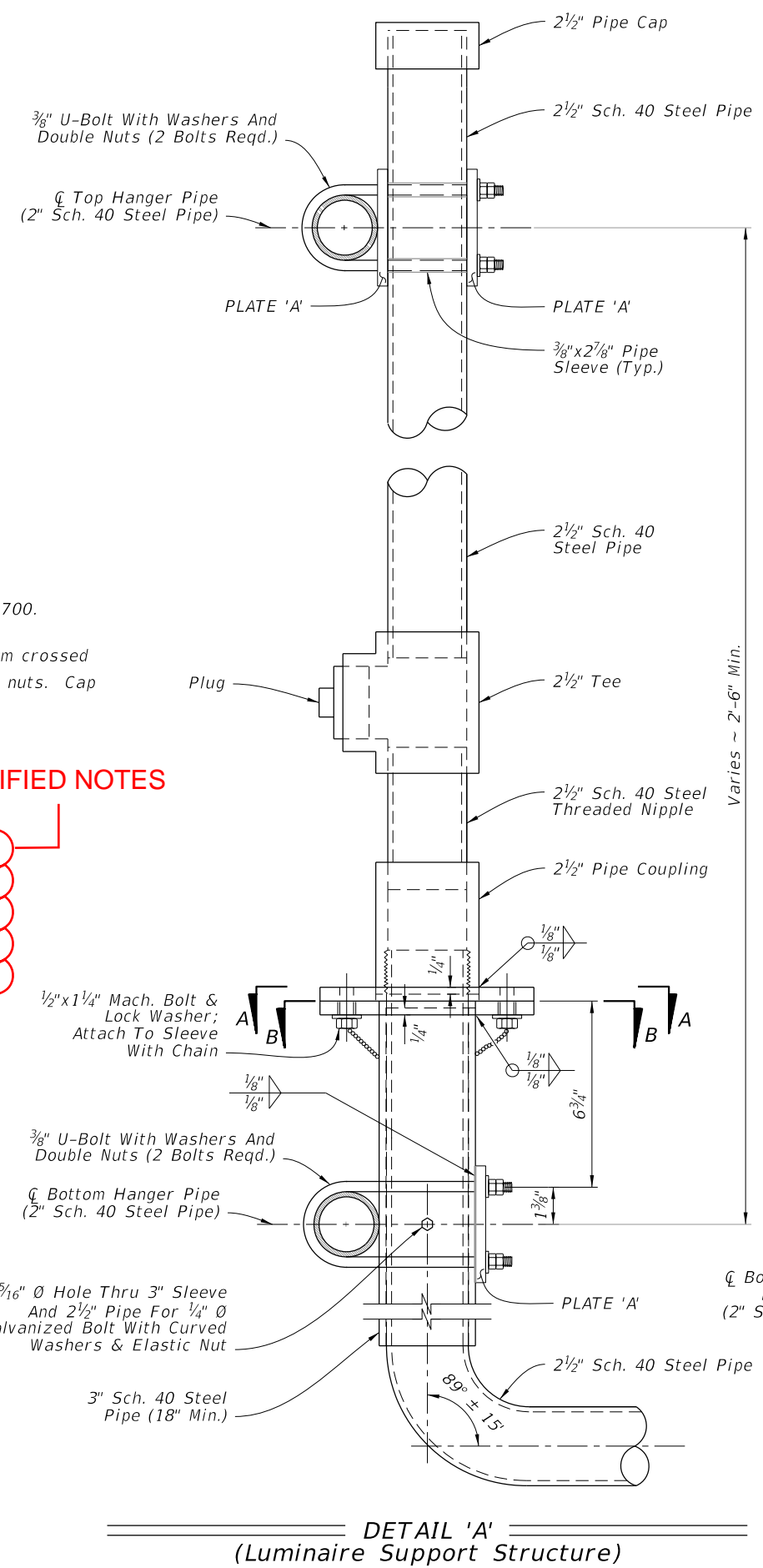
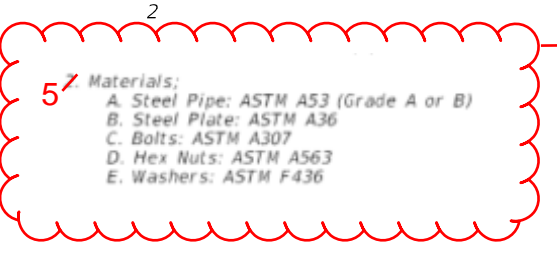


10/16/2022 2:37:06 PM



- NOTES:**
1. Meet the requirements of Specification 700.
 2. Install hanger pipe to each vertical beam crossed with a 3/8" U-Bolt, lock washers and hex nuts. Cap both ends of the horizontal pipe.
 3. All pipe dimensions are NPS.
 4. Chord O.D. + 5" (Min.)

CLARIFIED NOTES



LAST REVISION 11/01/22	DESCRIPTION:		FY 2023-24 STANDARD PLANS	EXTERNAL LIGHTING FOR SIGNS	INDEX	SHEET
					700-031	2 of 2