

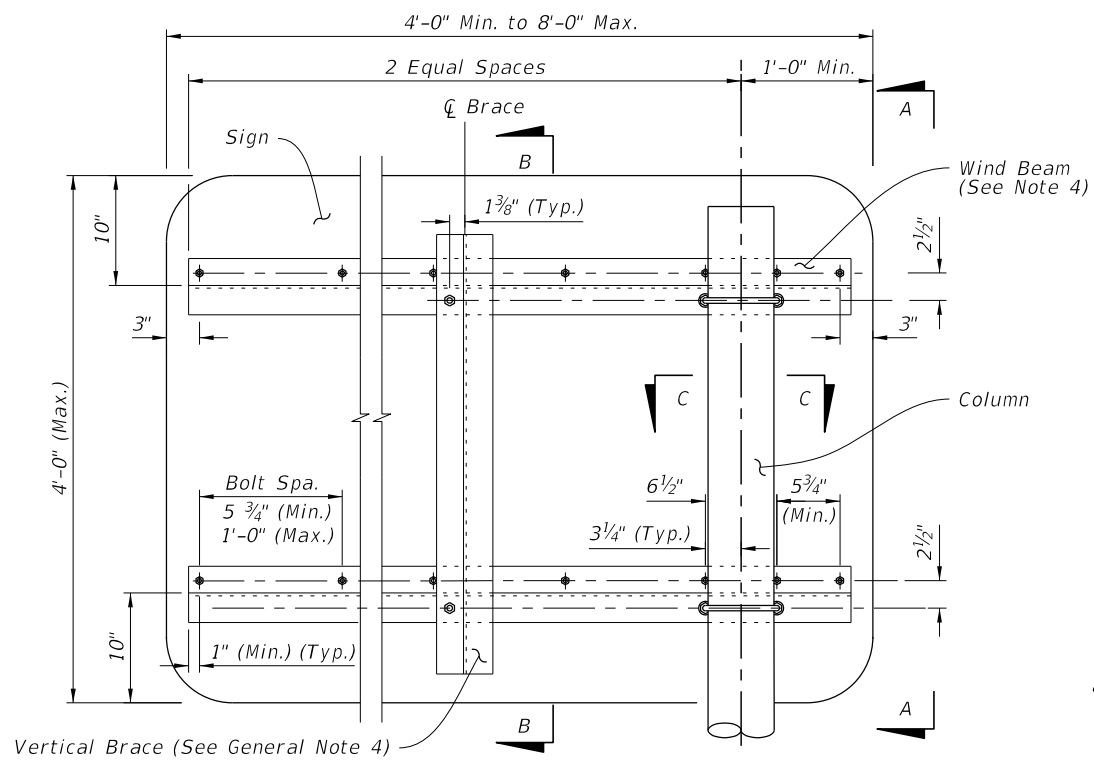
**GENERAL NOTES:**

1. Work with Index 700-010 for additional notes and the assembly of base connection.
2. Meet the requirements of Specification 700.
3. Place galvanized steel shims between the Sleeve and Post to obtain a tight fit between the Post and Sleeve.
4. Wind Beam and Vertical Brace: Aluminum Z 3 x 2<sup>11</sup>/<sub>16</sub> x 3.38. Install Vertical Brace on 7'-0" to 8'-0" signs only.
5. Use Brass shims to plumb the post.
6. Use nylon washers under the button bolt heads to protect sign sheeting. Use aluminum washers under nut.

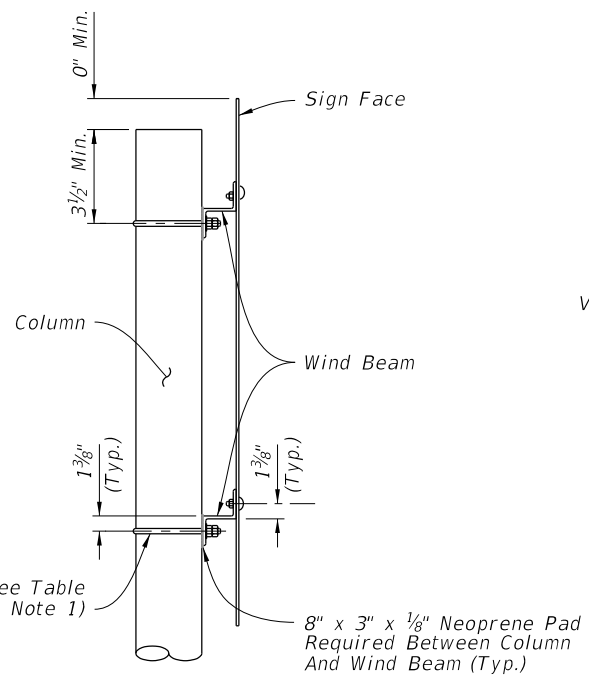
Print Error

Sign Size Height x Length	Column Size Diameter x Thickness	Sleeve Size Diameter x Thickness	U-bolt Diameter	Base Bolt Diameter x Length	Torque lbs./in	Base Plate Thickness	
4'-0" x 5'-0"	4 NPS Schedule 80 (4.5" x 0.337")	5 NPS Schedule 120 (5.563" x 0.5")	1/2"	5/8" x 3 1/2"	270 +/- 45	1 1/8"	6'-0"
4'-0" x 6'-0"							6'-0"
4'-0" x 7'-0"	5 NPS Schedule 80 (5.563" x 0.375")	6 NPS Schedule 80 (6.625" x 0.432")	5/8"	3/4" x 4"	445 +/- 75	1 1/8"	7'-0"
4'-0" x 8'-0"							7'-0"

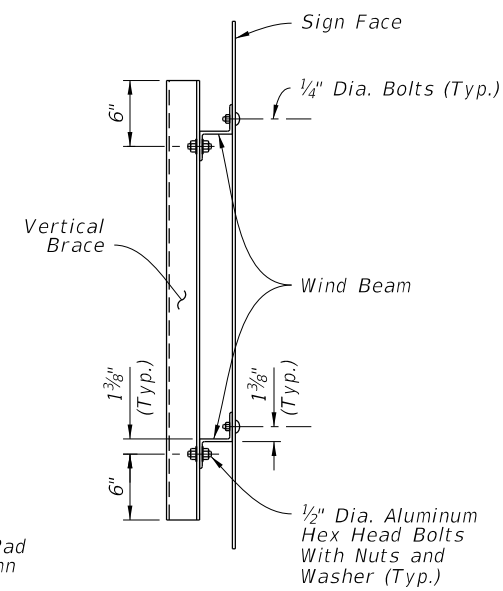
TYPICAL SECTION



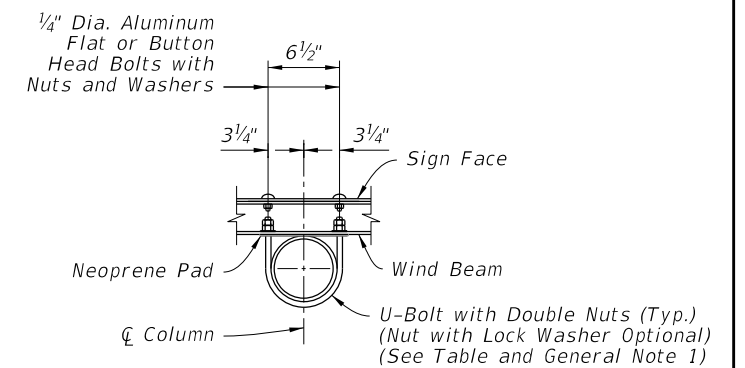
SIGN DETAIL



VIEW A-A



SECTION B-B



SECTION C-C

10/16/2022 2:35:52 PM