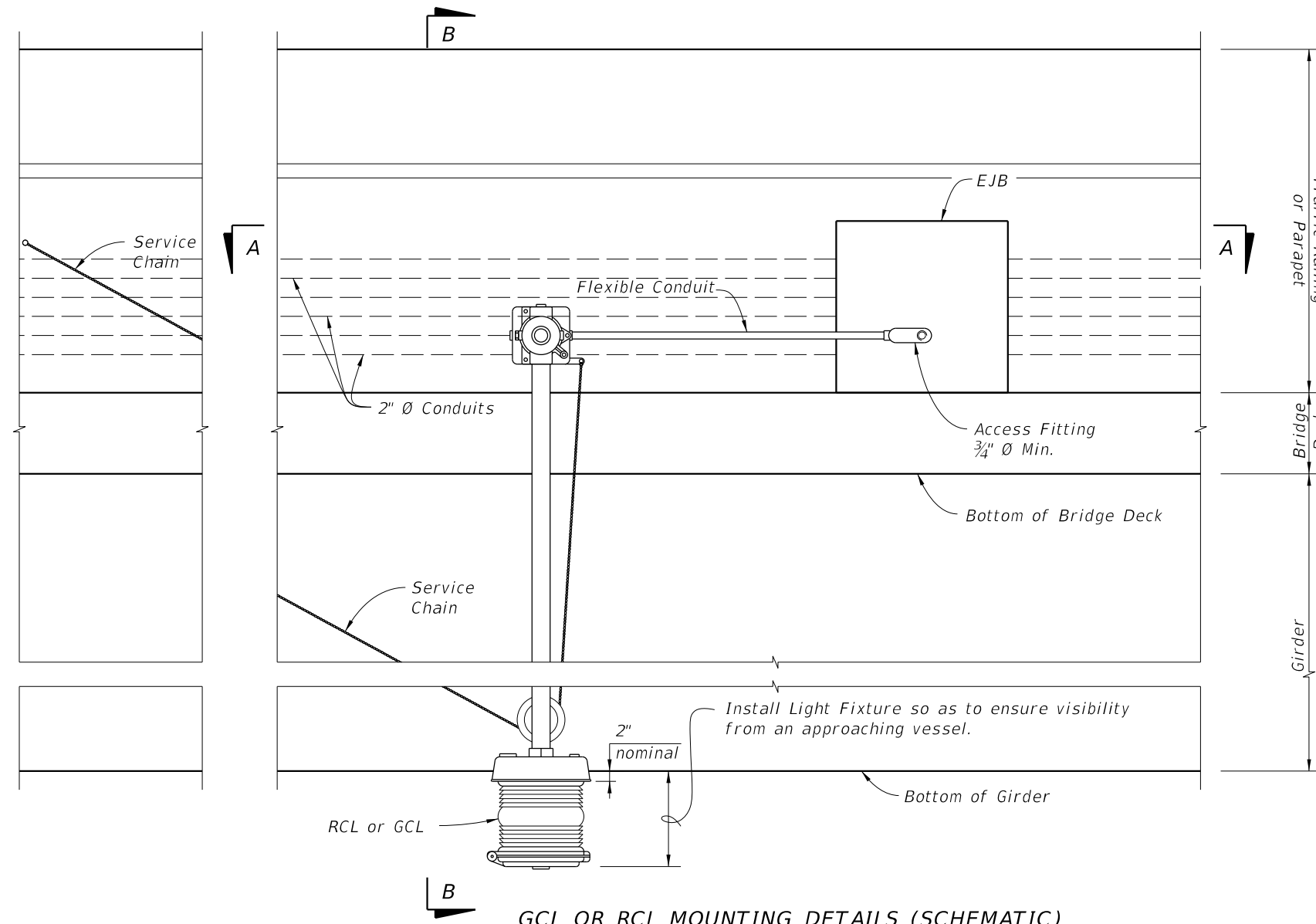


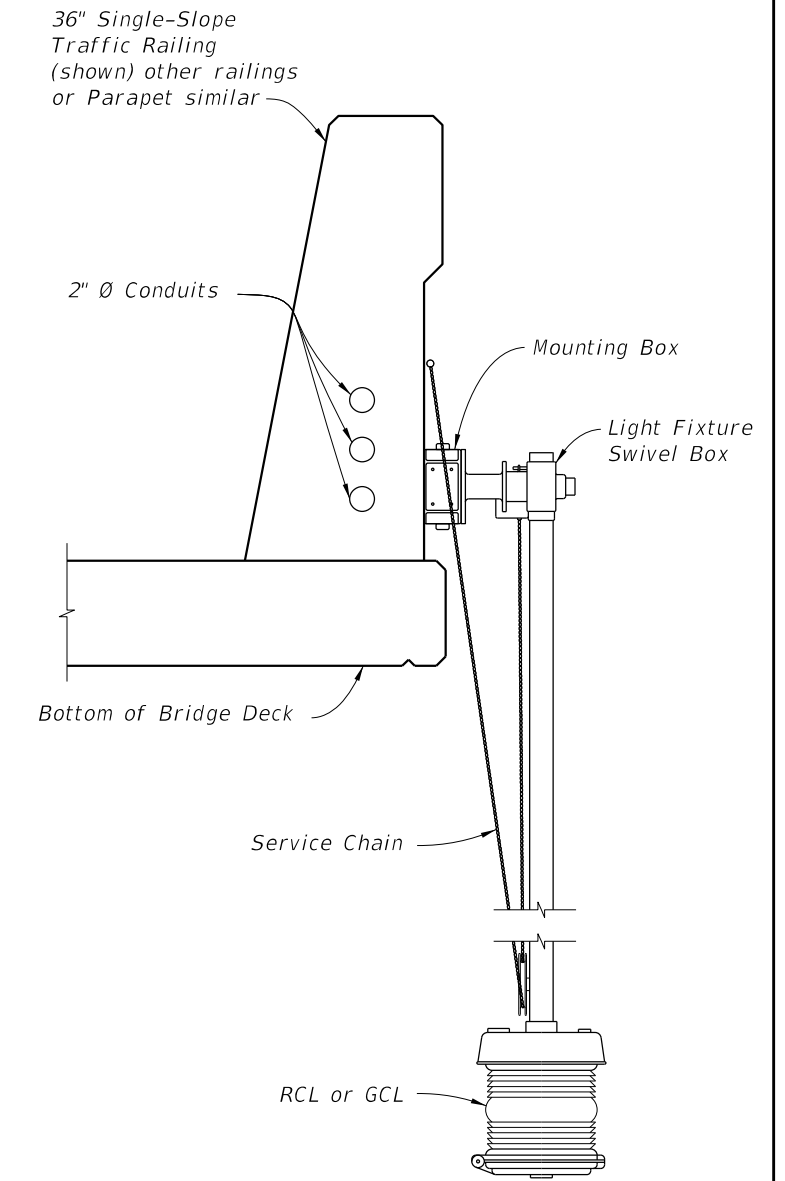
Shift EJB to visually align with Back of Traffic Railing

- CROSS REFERENCES:**
1. For Navigation Light System notes and legend, see Sheet 1.
 2. See Utility Conduit Detail sheets for Embedded Junction Box (EJB) dimensions & locations.
- * Supplied by Light Fixture Manufacturer

**GCL OR RCL MOUNTING DETAILS (SCHEMATIC)
VIEW A-A**




**GCL OR RCL MOUNTING DETAILS (SCHEMATIC)
ELEVATION VIEW**
(Traffic Railing (36" Single-Slope) shown, other railings similar)



**SECTION B-B
TYPICAL POSITION OF RCL OR GCL
RELATIVE TO SUPERSTRUCTURES**

10/6/2022 11:20:10 AM

LAST REVISION 11/01/17	REVISION	DESCRIPTION:	 FY 2023-24 STANDARD PLANS	NAVIGATION LIGHT SYSTEM DETAILS (FIXED BRIDGES)	INDEX 510-001	SHEET 2 of 2
---------------------------	----------	--------------	--	--	------------------	-----------------