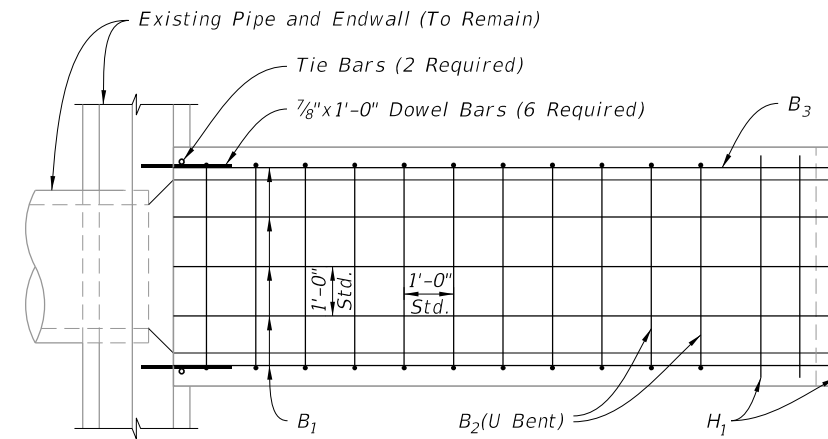
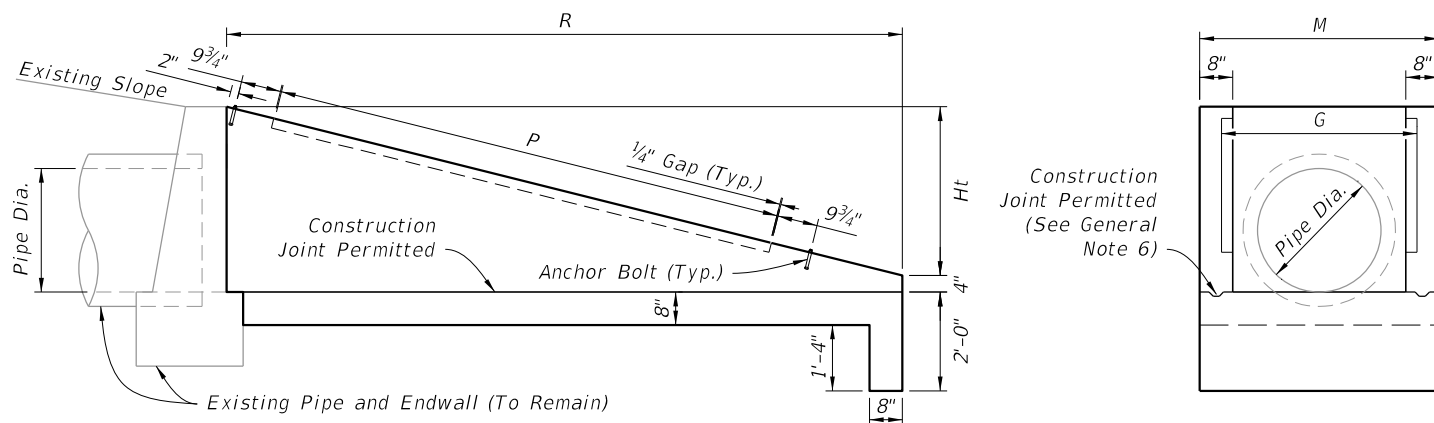


PLAN



PLAN

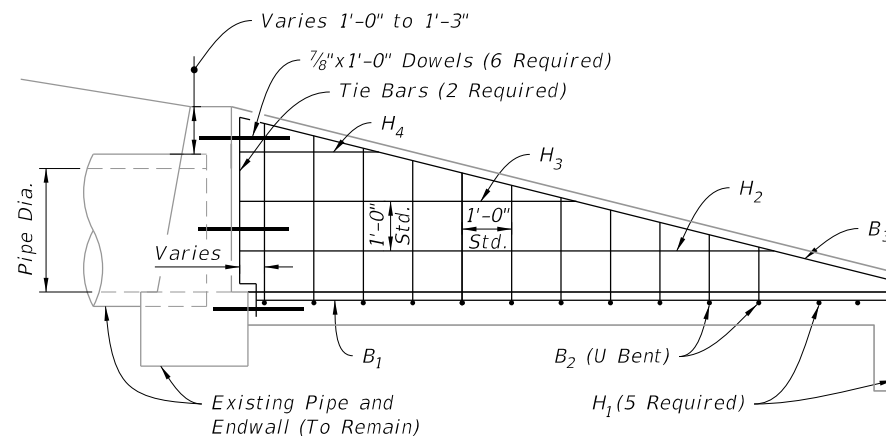
LEGEND:
 H = Horizontal Bars
 B = Bent Bars



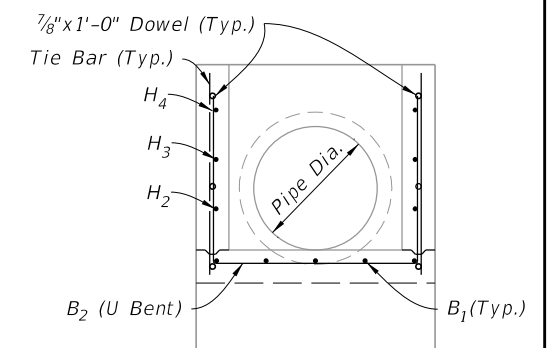
ELEVATION

END VIEW

DIMENSIONAL DETAILS



ELEVATION



BACK VIEW

REINFORCING DETAILS

ADDED DETAIL DUE TO PRINT ERROR

TABLE 1
 U-ENDWALL DIMENSIONS AND QUANTITIES

Slope	Pipe Dia.	G	M	Ht	R	P	Class II Concrete-CY	Reinforcing Steel-lbs.	Sod SY
1:6	15"	2'-8 1/2"	3'-7"	2'-2"	13'-0"	9'-4"	2.12	167	23
	18"	2'-11 1/2"	3'-10"	2'-5"	14'-6"	11'-4"	2.53	173	25
	24"	3'-5 1/2"	4'-4"	2'-11"	17'-6"	14'-4"	3.48	238	29
	30"	3'-11 1/2"	4'-10"	3'-5"	20'-6"	17'-4"	4.57	315	32
1:4	15"	2'-8 1/2"	3'-7"	2'-2"	8'-8"	5'-4"	1.44	120	19
	18"	2'-11 1/2"	3'-10"	2'-5"	9'-8"	6'-4"	1.72	130	20
	24"	3'-5 1/2"	4'-4"	2'-11"	11'-8"	8'-4"	2.36	167	22
	30"	3'-11 1/2"	4'-10"	3'-5"	13'-8"	10'-4"	3.09	225	25

ENDWALLS FOR 1:4 AND 1:6 SLOPES

10/6/2022 1:56:42 PM

LAST REVISION 11/01/21	REVISION	DESCRIPTION:
---------------------------	----------	--------------



FY 2023-24
 STANDARD PLANS

SAFETY MODIFICATIONS FOR ENDWALLS

INDEX
 430-090

SHEET
 2 of 3