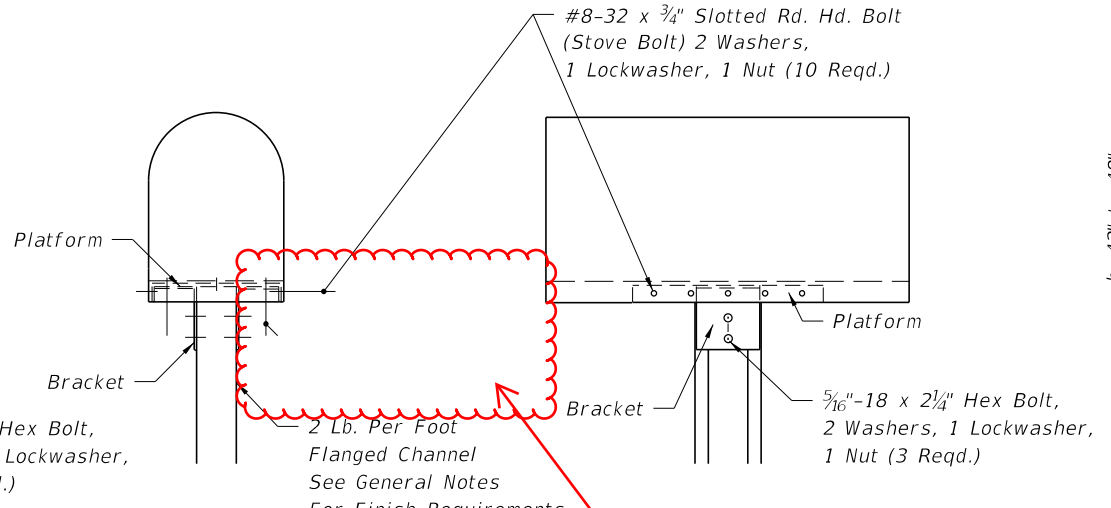


FRONT VIEW

SIDE VIEW

FLANGED CHANNEL

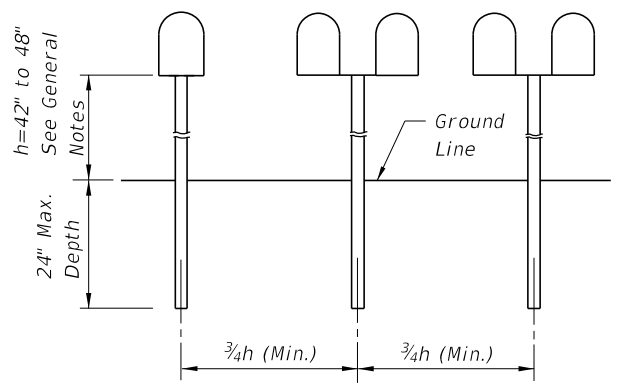


FRONT VIEW

SIDE VIEW

FLANGED CHANNEL

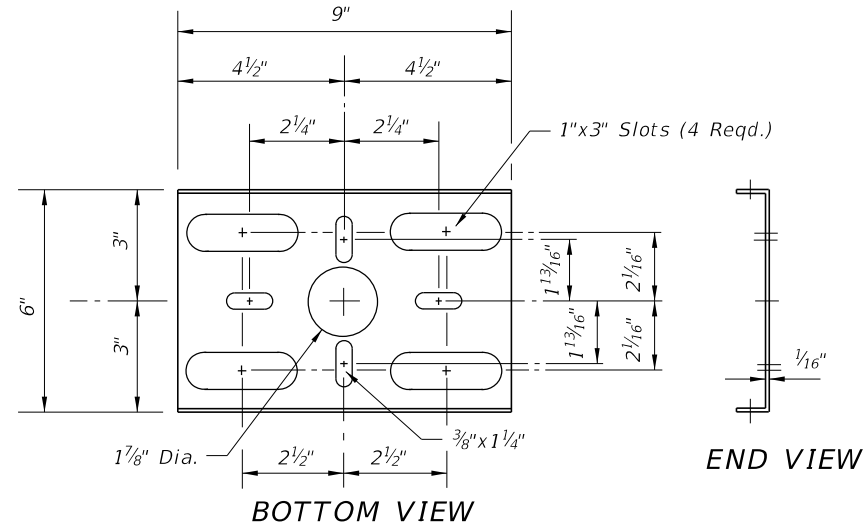
Corrected missing callout



ELEVATION

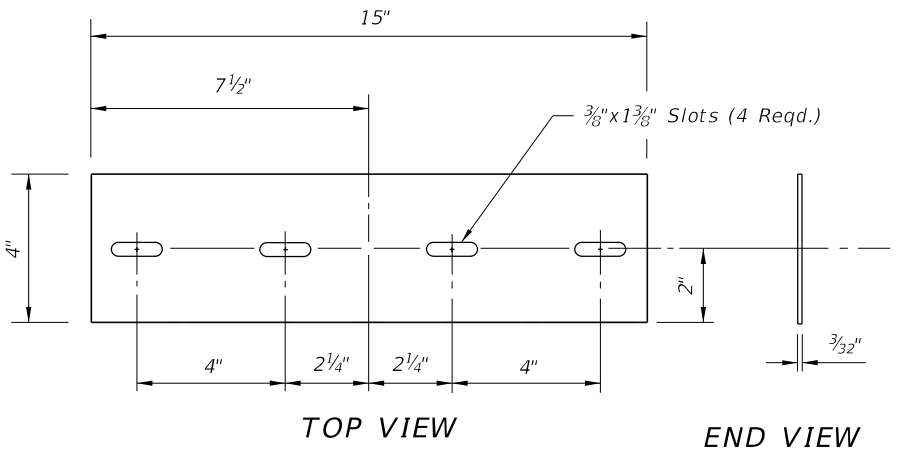
SINGLE OR COMBINED WOOD, FLANGED CHANNEL OR PIPE POST TYPES SHOWN ON THIS INDEX

POST SPACING



BOTTOM VIEW

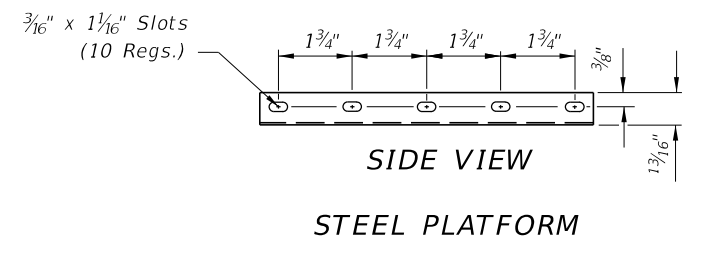
END VIEW



TOP VIEW

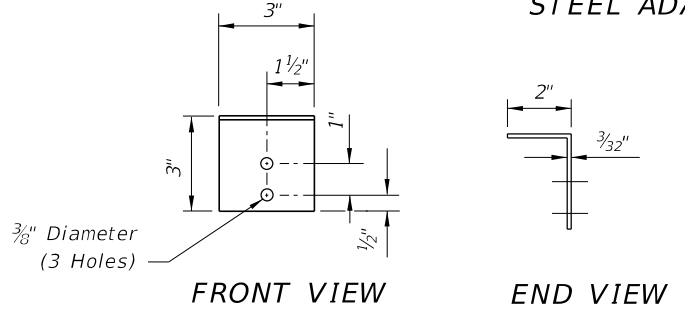
END VIEW

STEEL ADAPTER PLATE



SIDE VIEW

STEEL PLATFORM

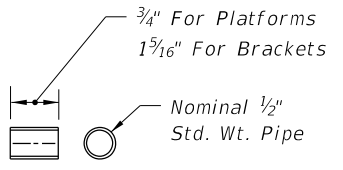


FRONT VIEW

END VIEW

TOP VIEW

STEEL BRACKET



STEEL SPACER

STEEL FLANGED CHANNEL SUPPORT POSTS

NOTE:  
See General Notes for finish requirements.

12/13/2022 8:12:32 AM

LAST REVISION 11/01/17	DESCRIPTION:	FDOT	FY 2023-24 STANDARD PLANS	MAILBOXES	INDEX 110-200	SHEET 2 of 3
---------------------------	--------------	------	------------------------------	-----------	------------------	-----------------