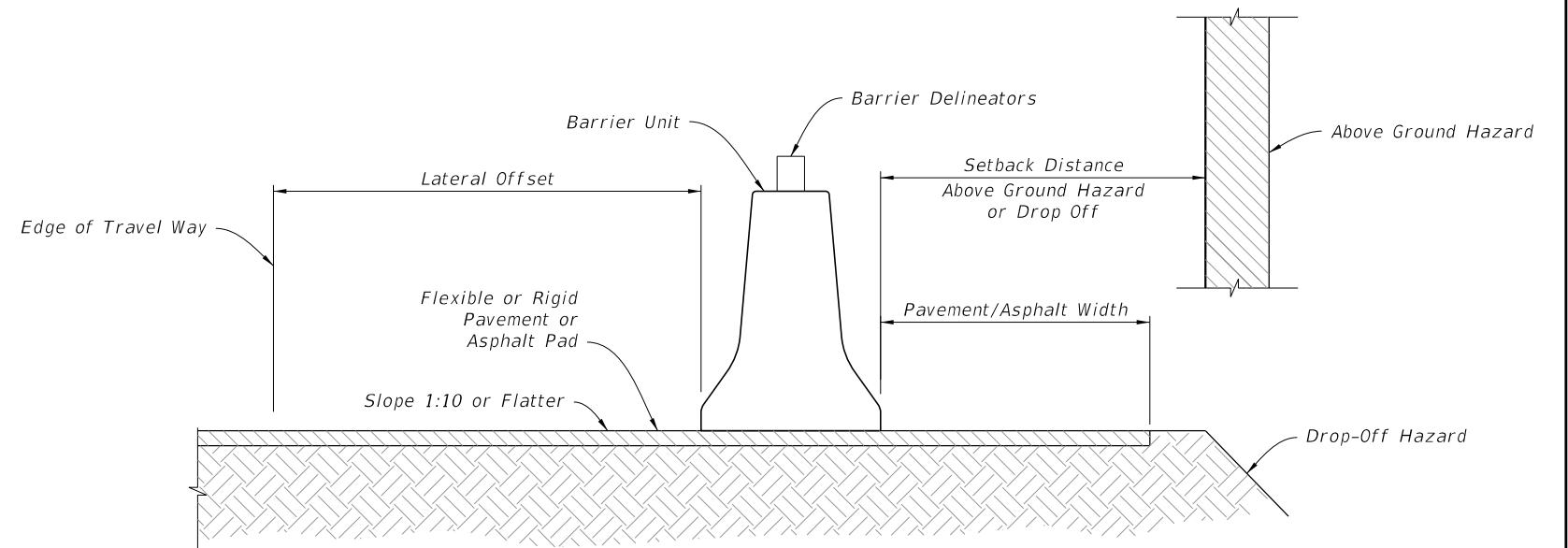
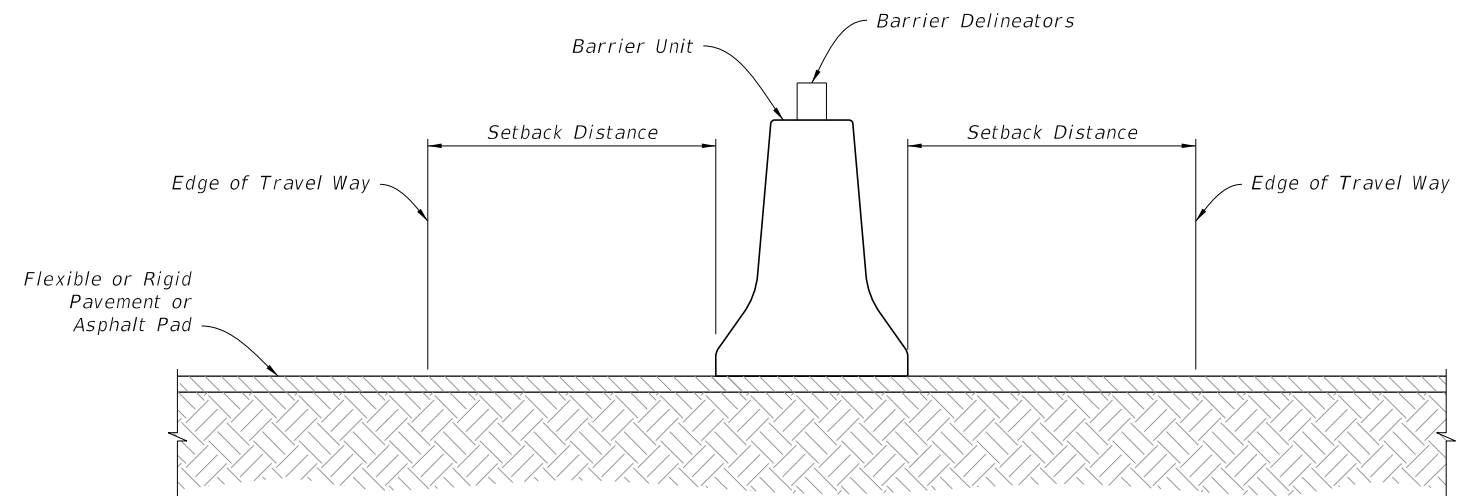


GENERAL NOTES:

1. Temporary barrier systems may be any of the following:
 - A. Type K Temporary Concrete Barrier System (Index 102-110) installed as either Free-Standing or Anchored.
 - B. Proprietary Temporary Barrier Systems on the Approved Product List (APL).
 - a. Concrete Barrier (Free-Standing or Anchored)
 - b. Steel Barrier (Anchored)
 - c. Water Filled Barrier (Free-Standing)
2. Where existing flexible pavement is not present, construct a minimum 2" thick temporary Asphalt Pad using Miscellaneous Asphalt Pavement in accordance with Specification 339 with the exception that the use of a pre-emergent herbicide is not required.
3. For Barrier Delineators, see Specification 102. Mount on top of temporary barriers. Color must match adjacent longitudinal pavement marking.
4. Remove all grass debris, loose dirt, and sand for the pavement, bridge deck, or asphalt pad surface within the barrier footprint just prior to placement of the temporary barrier.
5. Ensure the setback distance is clear of any grass, construction debris, stockpiled materials, equipment, and objects.
6. Transitions are required between Type K Barrier and free-standing, anchored, back-filled or other types of temporary barrier. See Index 102-110 for transitions between Type K Barrier and permanent bridge or traffic railing. Refer to the APL for transitions allowed for Proprietary Temporary Barrier Systems.
7. Anchoring (Bolting) of temporary barrier or crash cushions is not permitted on bridge superstructures that contain post-tensioned tendons within the concrete deck (top flange of concrete box girders) or on bridge superstructures consisting of longitudinally prestressed, transversely post-tensioned, solid or voided concrete slab units.
8. Anchor abutting segments of temporary barrier terminated with a Crash Cushion as shown in Index 102-110 or the APL.
9. The requirements of this Index do not apply to Temporary Low Profile Barrier, See Index 102-120.
10. Setback requirements below cover most Temporary Barrier options. Provide additional setback distance for APL products that require additional setback (deflection) space.



ROADSIDE INSTALLATION



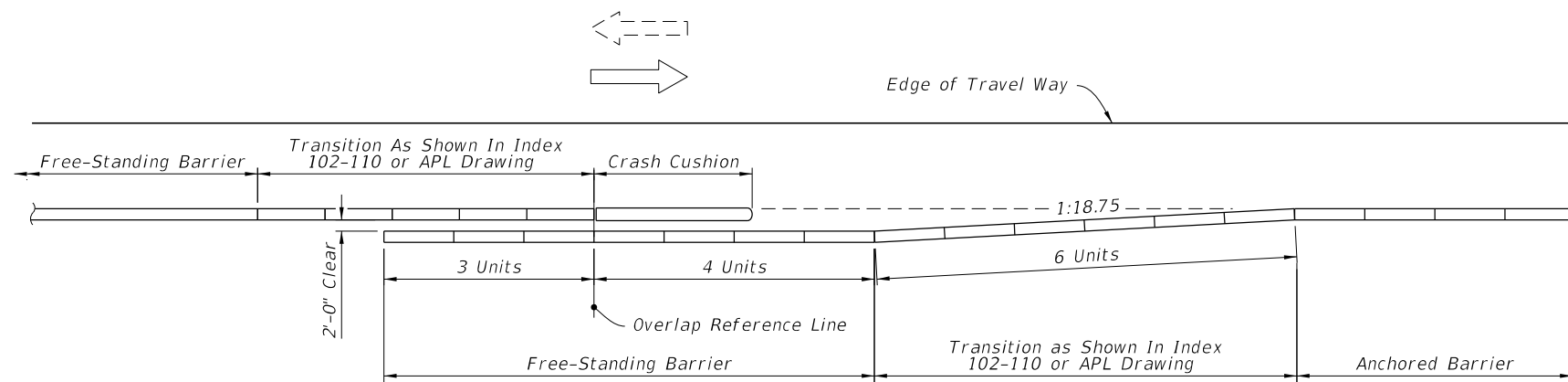
MEDIAN INSTALLATION

INSTALLATION DATA

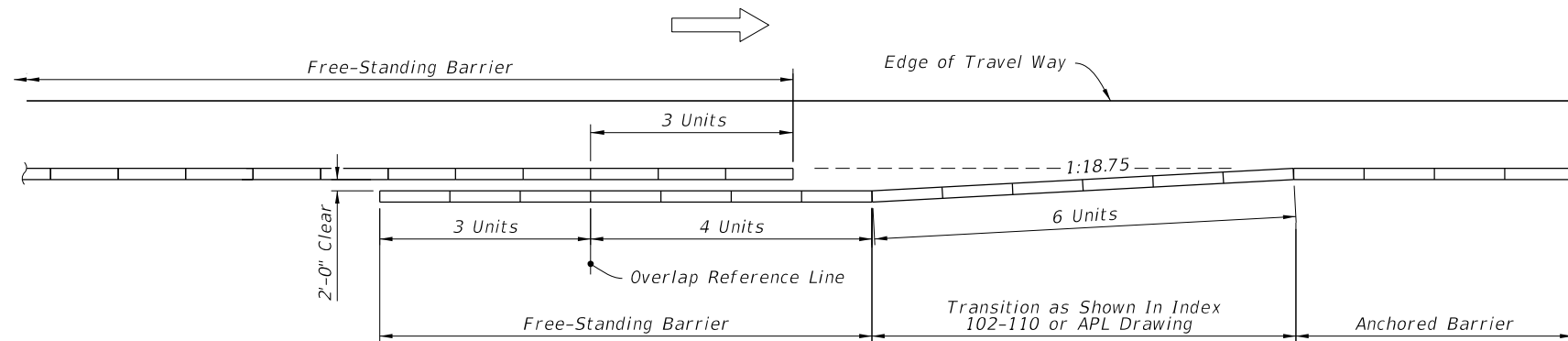
CONDITION	LATERAL OFFSET	SETBACK DISTANCE	PAVEMENT / ASPHALT WIDTH
Anchored	2' Min.	2' Min. (See Note)	1' Min.
Free-standing	2' Min.	4' Min.	4' Min.

NOTE: For Bridge Decks see Index 102-110 or APL.

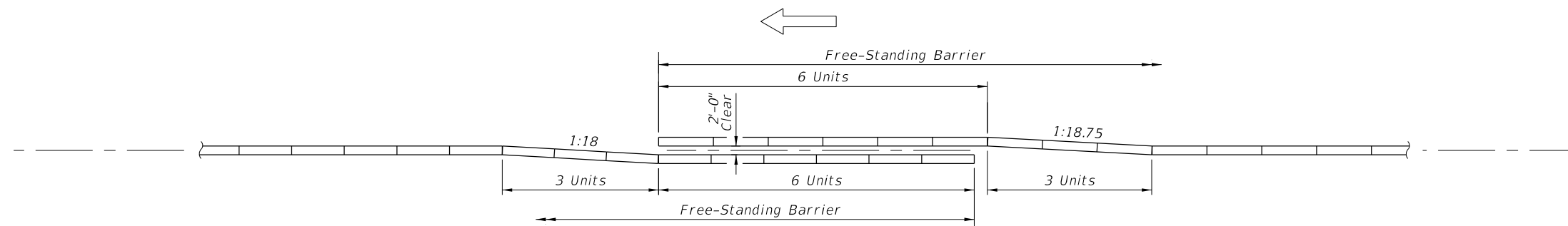
9/23/2021 2:45:40 PM



APPROACH SHOULDER BARRIER TRANSITION ON UNDIVIDED FACILITIES



APPROACH SHOULDER BARRIER TRANSITION ON DIVIDED FACILITIES



MEDIAN BARRIER TRANSITION

SYMBOL:

⇒ Direction of Traffic

9/23/2021 2:45:41 PM

LAST REVISION 11/01/20	DESCRIPTION:
---------------------------	--------------

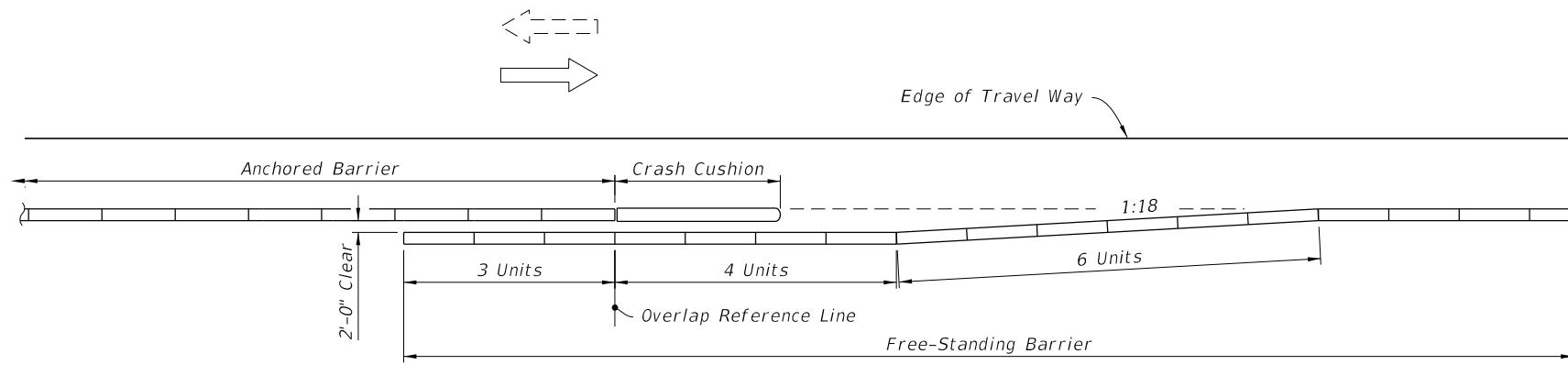


FY 2022-23
STANDARD PLANS

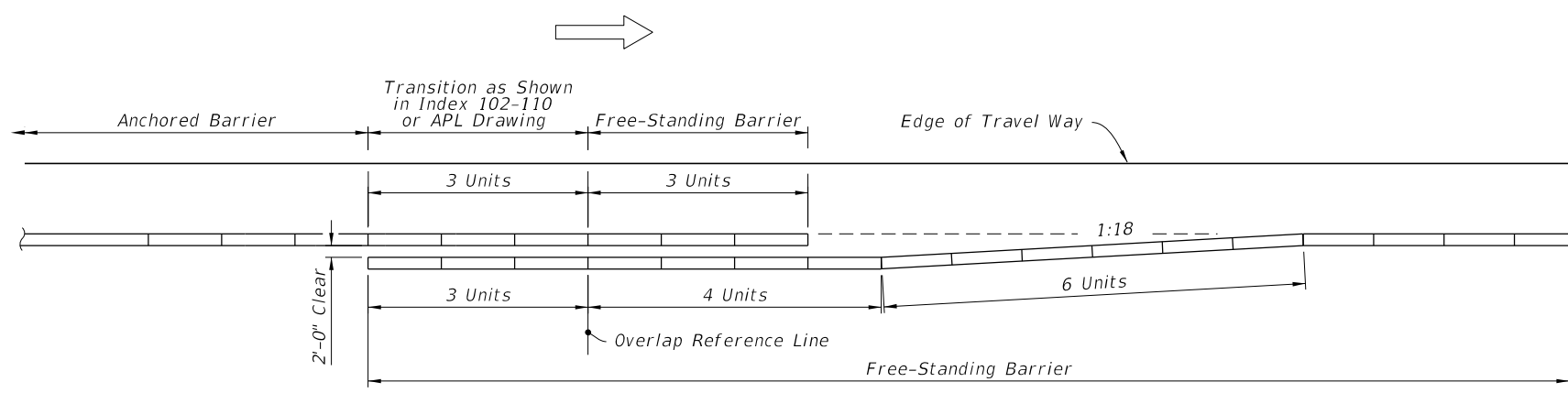
TEMPORARY BARRIER

INDEX
102-100

SHEET
2 of 4



=====**DEPARTURE SHOULDER BARRIER TRANSITION ON UNDIVIDED FACILITIES**=====



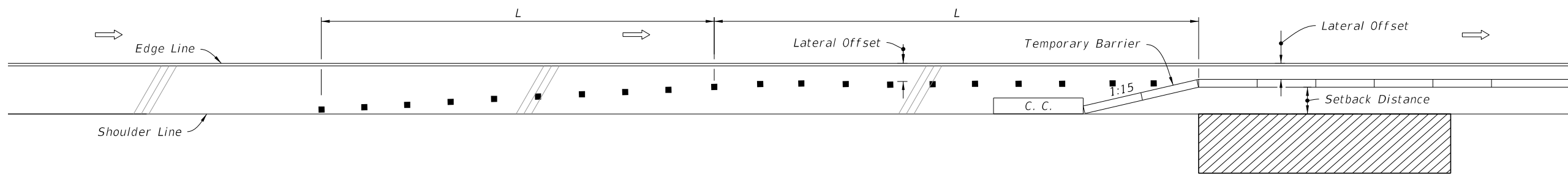
=====**DEPARTURE (TRAILING) SHOULDER BARRIER TRANSITION ON DIVIDED FACILITIES**=====

SYMBOL:

⇒ Direction of Traffic

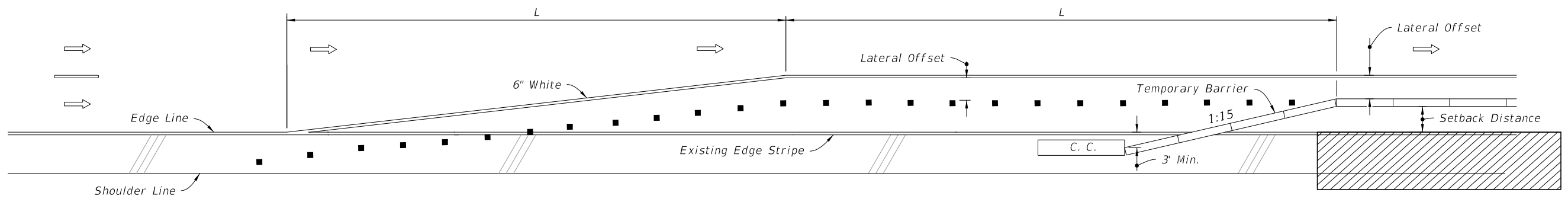
9/23/2021 2:45:42 PM

LAST REVISION 11/01/20	REVISION	DESCRIPTION:	 FY 2022-23 STANDARD PLANS	TEMPORARY BARRIER	INDEX 102-100	SHEET 3 of 4
---------------------------	----------	--------------	--	--------------------------	-------------------------	------------------------



BARRIER AND TRANSITION LOCATED ON SHOULDERS

(Right Lane Shown - Inverted For Left Lane)



BARRIER AND TRANSITION WITH LANE DROP ON MULTILANE FACILITIES

(Right Lane Merge Left Shown - Inverted For Left Lane Merge Right)


NOTE:

L = Taper Length, See Index 102-600 for "L" and channelizing device spacing values.

SYMBOLS:

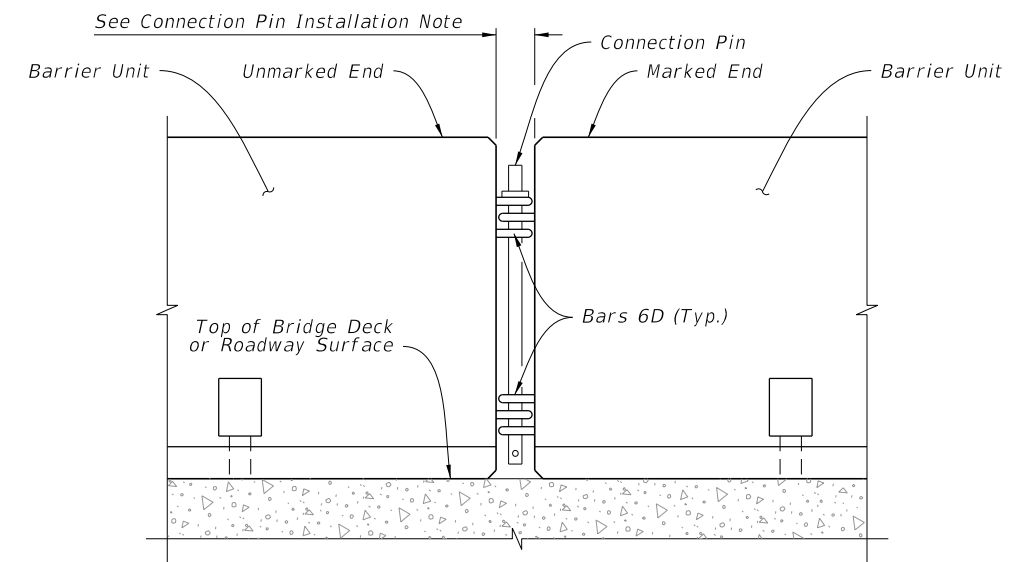
-  Work Area
-  Channelizing Device (See Index 102-600)
-  Crash Cushion
-  Lane Identification and Direction of Traffic

9/23/2021 2:45:42 PM

LAST REVISION 11/01/20	REVISION	DESCRIPTION:	 FY 2022-23 STANDARD PLANS	TEMPORARY BARRIER	INDEX 102-100	SHEET 4 of 4
---------------------------	----------	--------------	--	-------------------	------------------	-----------------

GENERAL NOTES:

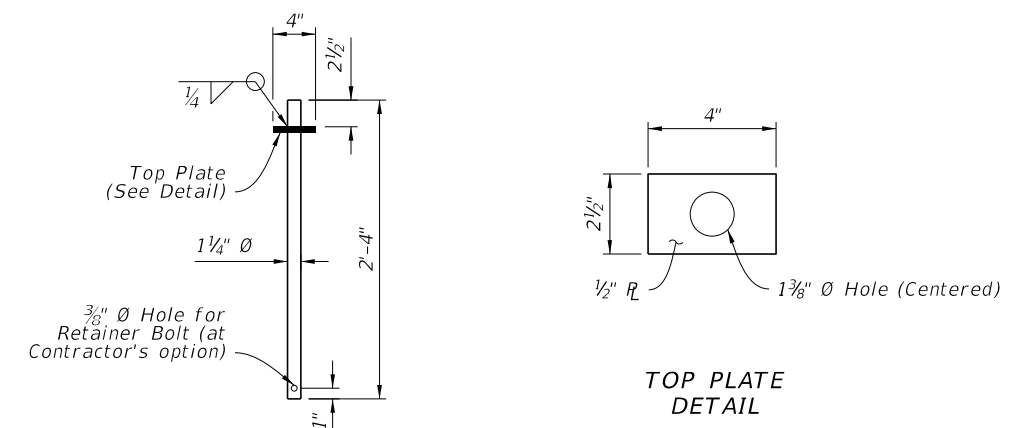
1. Meet the requirements of Index 102-100.
2. For fabrication details see Sheets 15 thru 17.
3. **HANDLING:** Do not lift or move the Barrier Units by using Bars 6D that extend from the ends of the units. Approximate weight of one unit equals 2.7 tons.
4. **CONNECTION PIN ASSEMBLY:** Use steel for Connection Pin and Top Plate assemblies in accordance with ASTM A36 or ASTM A709 Grade 36. Nondestructive testing of welds is not required. At the Contractor's option, a 3/8" diameter hole may be provided at the bottom of the Connection Pin, as shown, for the installation of a vandal resistance bolt.
5. **CONNECTION PIN INSTALLATION:** Initially set Barrier Units by using a 3 5/8" wooden block between ends of adjacent units. Install Connection Pin between adjacent Barrier Units as shown, then pull newly placed Barrier Unit away from adjacent Barrier Unit to remove slack between Connection Pin and Bars 6D (except as shown on Sheet 2). Do not use Barrier Units unconnected.
6. **REUSE OF CONNECTION PINS AND STAKES:** Connection pins and stakes may be reused if they have the structural integrity of new pins.
7. **REMOVAL OF BOLTS, STAKES AND KEEPER PINS:** Upon removal or relocation of Barrier Units, remove all Anchor Bolts and completely fill the remaining holes in bridge decks, approach slabs and roadway rigid pavements that are to remain with Magnesium Ammonium Phosphate Concrete in accordance with Specification 930 or with an Epoxy Resin Compound, Type F or Q, in accordance with Specification 926. If a flexible pavement is present and is to remain, completely fill the remaining holes in the flexible pavement with hot or cold patch asphalt material.
8. **TYPE K ANCHORED TO FREE-STANDING TRANSITIONS:** Use the 3-3-2-1 Anchorage Transition Detail when transitioning Free-Standing and Anchored Units or when connecting Free-Standing runs to Crash Cushions, as shown in this Index.



DETAIL OF CONNECTION BETWEEN BARRIER UNITS

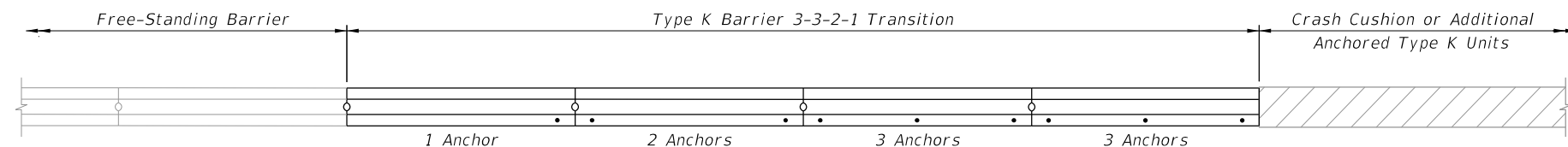
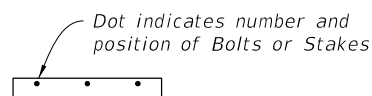
THRIE-BEAM GUARDRAIL SPLICE INSTALLATION NOTES:

1. **THRIE-BEAM GUARDRAIL:** Provide Thrie-Beam Guardrail for splices meeting the requirements of specification 967 and as follows: Two panels per splice (One panel per side) of Class B (10 Gauge), or Four panels per splice (Two nested panels per side) of Class A (12 Gauge). Use a 12'-6" guardrail panel. Provide and install all other associated metallic guardrail components (Terminal Connectors, Shoulder Bolts, Hex Bolts and Nuts, Filler Plates, etc.) in accordance with Index 536-001. Install five Guardrail Anchor Bolts at each end of each splice in any of the standard seven anchor bolt holes in the Thrie-Beam Terminal Connector. If reinforcing steel is encountered when drilling holes for Guardrail Anchor Bolts in Type K Barrier Units, shift Thrie-Beam Terminal Connector so as to clear reinforcing steel within the given tolerances or select a different bolt hole to use. Do not drill or cut through reinforcing steel within Type K Barrier Units. Drilling or cutting through reinforcing steel within permanent concrete traffic railings is permitted.
2. **GUARDRAIL OFFSET BLOCKS:** Provide and install timber Offset Blocks meeting the requirements of Specification 967. Field trim Offset Blocks as required for proper fit. Utilize Offset Blocks as shown and required in order to prevent bending or kinking of Thrie-Beam Guardrail panels.
3. **CONCRETE FOR FILLING TAPERED TRAFFIC RAILING TOES:** Provide concrete for filling tapered toes of Traffic Railings as shown meeting the material requirements of Specification 346, any Class, or a commercially available pre-bagged concrete mix (3000 psi minimum compressive strength). Sampling, testing, evaluation and certification of the concrete in accordance with Specification 346 is not required. Saturate with water the surfaces upon and against which the concrete fill will be placed prior to placing concrete. Place and finish concrete fill using forms or by hand methods to the general configurations shown so as to provide a smooth shape transition between the Type K Barrier and the adjacent traffic railing. A low slump is desirable if placing and finishing concrete by hand methods. Cure the concrete fill by application of a curing compound, or by covering with a wet tarp or burlap for a minimum of 24 hours. Completely remove the concrete fill upon relocation or removal of the Type K Temporary Concrete Barrier.



CONNECTION PIN DETAIL

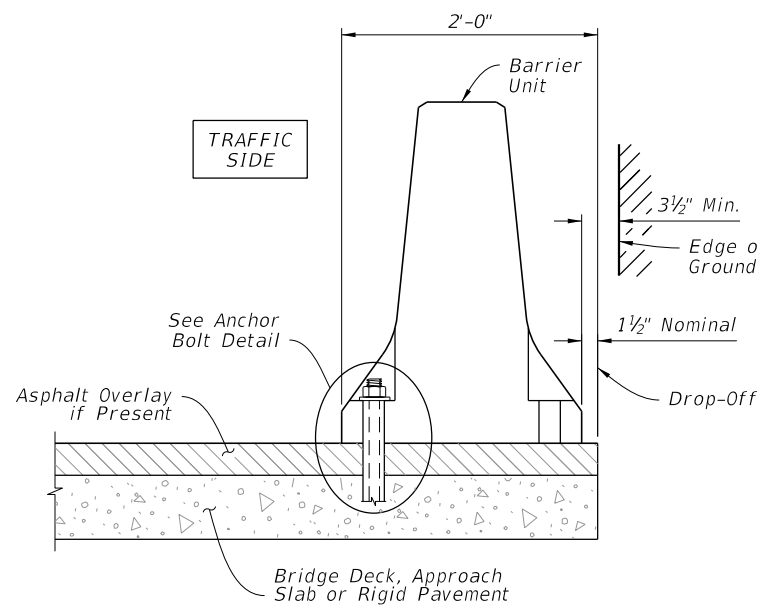
SYMBOL:



3-3-2-1 ANCHORAGE TRANSITION DETAIL

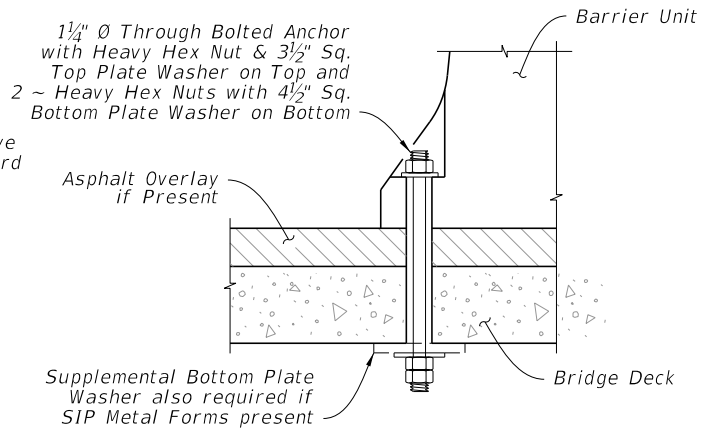
9/23/2021 2:45:43 PM

LAST REVISION 11/01/20	REVISION	DESCRIPTION:		FY 2022-23 STANDARD PLANS	TYPE K TEMPORARY CONCRETE BARRIER SYSTEM	INDEX 102-110	SHEET 1 of 17
---------------------------	----------	--------------	--	------------------------------	--	------------------	------------------

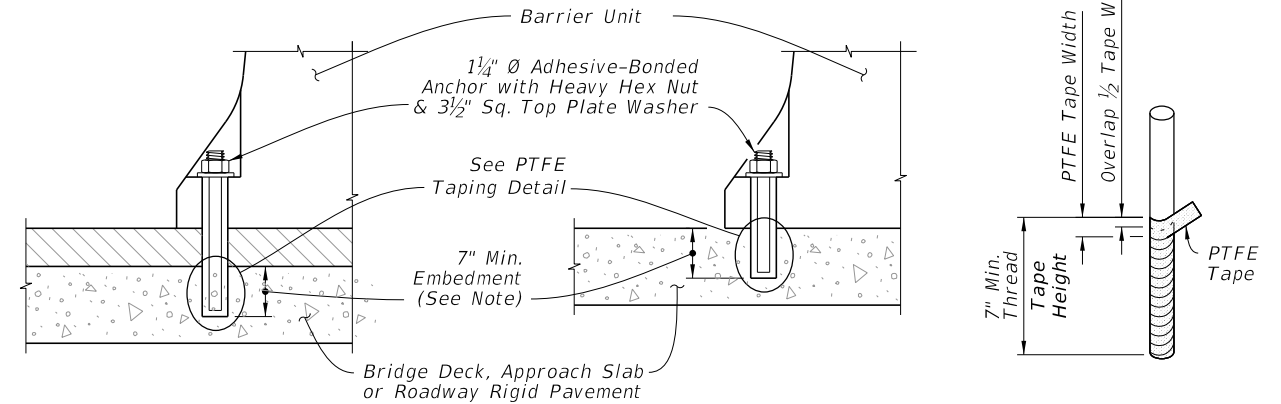


NOTE: Traffic Side for Transition to Median Traffic Railings, see Sheet 6

TYPICAL SECTION



THROUGH BOLTED ANCHOR



NOTE: Wrap threads with a single overlapping layer of PTFE tape to facilitate removal of anchors.

ADHESIVE BONDED ANCHOR INSTALLATION

BOLTED INSTALLATION NOTES:

Bridge deck shown, approach slab or rigid pavement similar; installation adjacent to drop-off shown, median transition installation similar.

LIMITATION OF USE: This installation technique can only be used on rigid pavement and concrete bridge decks as shown. Anchor Bolts must not be installed on both sides of the Barrier Units. Do not bolt down Barrier Units across bridge finger or modular expansion joints.

ANCHOR BOLTS, NUTS AND WASHERS: When using Adhesive-Bonded Anchor Bolts, use fully threaded rods in accordance with ASTM F 1554 Grade 36. Install Anchor Bolts for through bolting in accordance with ASTM A 307 or ASTM F 1554 Grade 36. Install nuts in accordance with ASTM A 563 or ASTM A 194. Install Flat Washers in accordance with ASTM F 436 and Plate Washers in accordance with ASTM A 36 or ASTM A 709 Grade 36.

Install three (3) Anchor Bolts per Barrier Unit on the traffic side of the Barrier Units as shown, except for Transition Installations. For the number and positions of Anchor Bolts required in Transition Installations see Sheets 8 and 9 and Index 102-100. Drilling through deck reinforcing steel to install Anchor Bolts is permitted. Unless otherwise shown in the Plans, at the Contractor's option Barrier Units may be installed by through bolting (where geometrically possible) or by the use of Adhesive-Bonded Anchor Bolts. Do not drill into or otherwise damage the tops of supporting beams or girders, bridge deck expansion joints or drains. Install Anchor Bolts and Nuts so that the maximum extension beyond the face of the Barrier Units is 1/2". Snug tighten the Nuts on the Anchor Bolts. For through bolted installations, snug tighten the double Nuts on the underside of the deck against each other to minimize the potential for loosening.

Omit one (1) Anchor Bolt within a single Barrier Unit if a conflict exists between the Anchor Bolt location and a bridge deck expansion joint or drain. The adjacent Barrier Units must each be installed with the standard three (3) Anchor Bolts.

Omit one (1) Anchor Bolt within a single Barrier Unit as shown in the Treatment at Bridge Deck Expansion Joint Schematic if the Barrier Unit straddles a bridge deck expansion joint. The adjacent Barrier Units must each be installed with the standard three (3) Anchor Bolts.

ADHESIVE-BONDING MATERIAL SYSTEMS: When using Adhesive Bonding Material Systems for Anchor Bolts, Use Type HSHV in accordance with Specification 937 and installed them in accordance with Specification 416. Prior to installation of the Barrier Units in the Plan location(s), install a demonstration Barrier Unit using the proposed production installation method, at a location approved by the Engineer. In lieu of the production test requirements of Specification 416, install six (6) Adhesive-Bonded Anchor Bolts in the demonstration Barrier Unit and test each Anchor Bolt with a 29,800 pound tensile proof load. Install and test additional demonstration Barrier Units when requested by the Engineer. Remove the demonstration Barrier Unit prior to testing the Anchor Bolts. Remove the test Anchor Bolts after testing as directed by the Engineer.

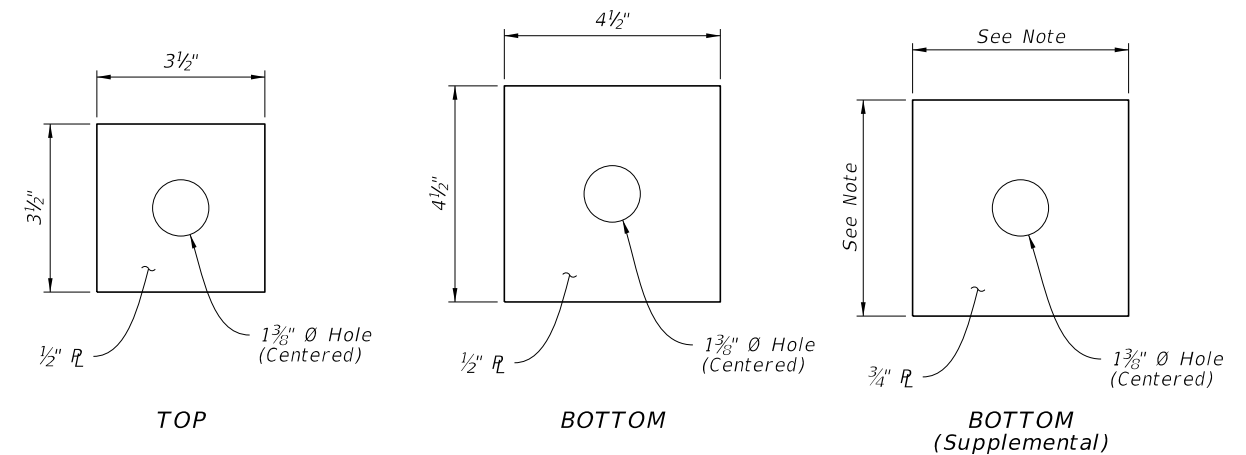
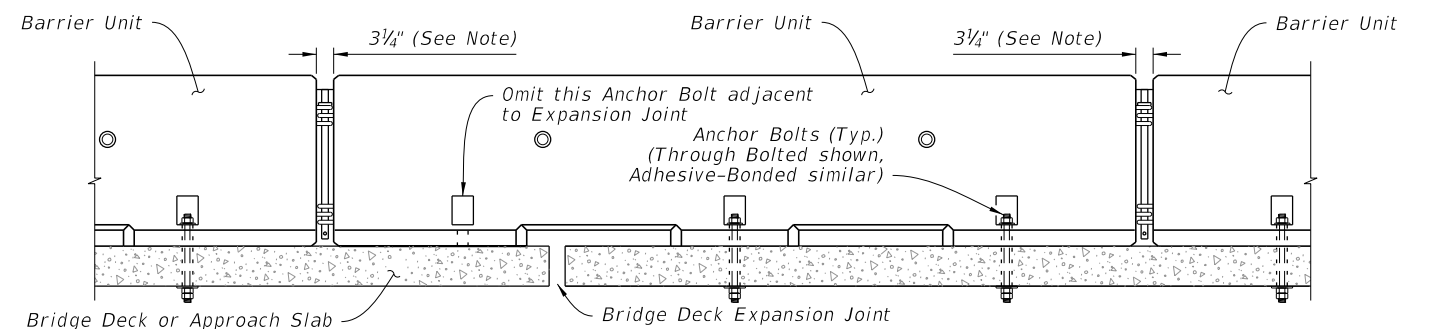


PLATE WASHER DETAIL



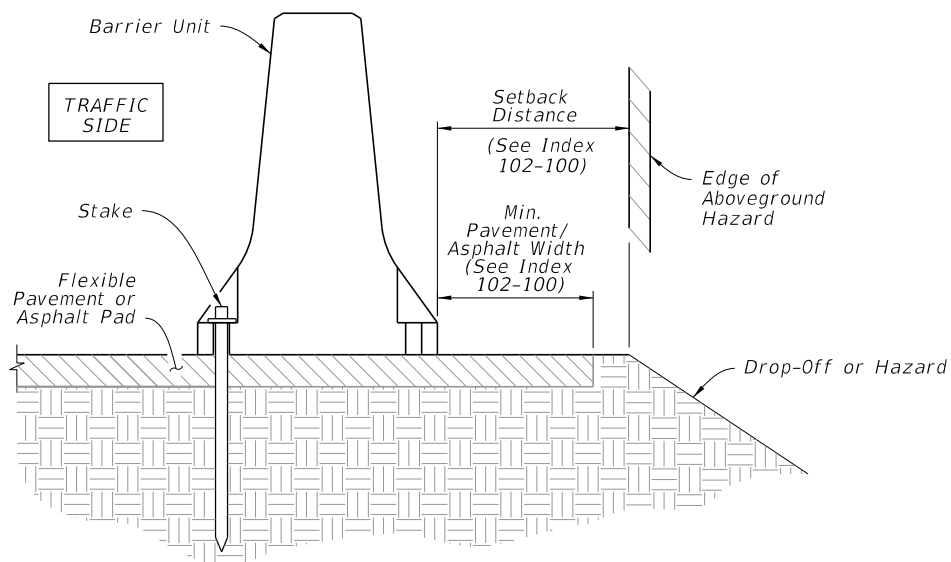
NOTE: To accommodate movement at Expansion Joint, set Barrier Units with 3 1/4" gap at locations shown.

TREATMENT AT BRIDGE DECK EXPANSION JOINT SCHEMATIC

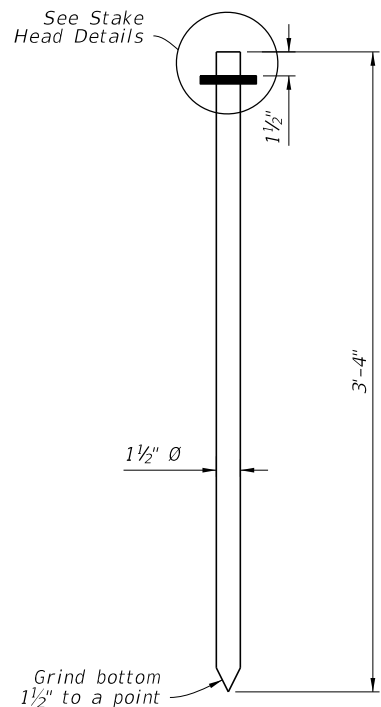
ANCHORED INSTALLATIONS - BOLTED

9/23/2021 2:45:44 PM

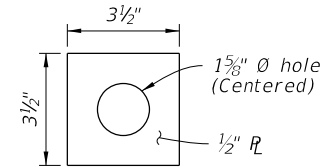
LAST REVISION 11/01/20	REVISION	DESCRIPTION:		FY 2022-23 STANDARD PLANS	TYPE K TEMPORARY CONCRETE BARRIER SYSTEM	INDEX 102-110	SHEET 2 of 17
---------------------------	----------	--------------	--	------------------------------	--	------------------	------------------



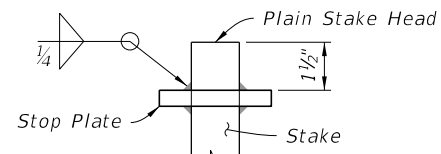
NOTE: Traffic Side for transition to median traffic railings, see Sheet 6
TYPICAL SECTION



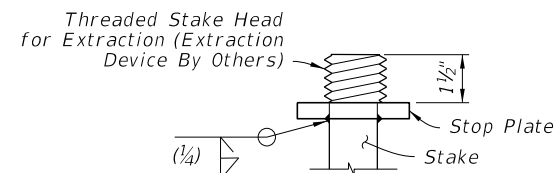
STAKE DETAIL



STOP PLATE DETAIL



PLAIN STAKE HEAD DETAIL



OPTIONAL EXTRACTION STAKE HEAD DETAIL

STAKED INSTALLATION NOTES:

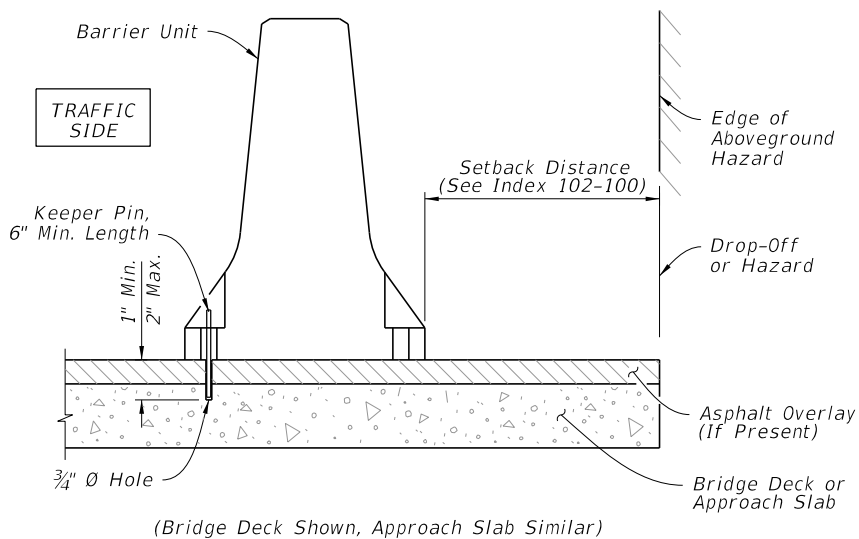
LIMITATION OF USE: This installation technique can only be used on flexible pavement or an Asphalt Pad as shown. Stakes must not be installed on both sides of the Barrier Units.

STAKES: Provide steel for Stake assemblies in accordance with ASTM A 36 or ASTM A 709 Grade 36. Weld in accordance with the American Welding Society Structural Welding Code (Steel) ANSI/AWS D1.1 (current edition). Welding metal are E60XX or E70XX. Nondestructive testing of welds is not required.

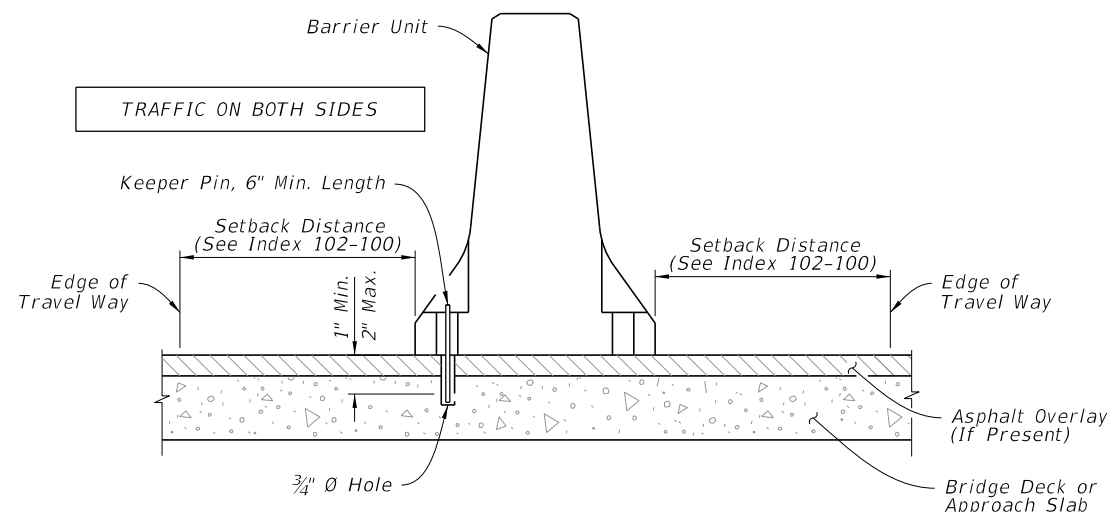
Install three (3) Stakes on the traffic side of the Barrier Units as shown, except for Transition Installations. For the number and positions of stakes required in Transition Installations see Sheets 4, 5 and 6 and Index 102-100. Install Stakes so that the Stop Plate is snug against the bottom of the Anchor Blockout.

BURIED UTILITIES: Prior to installation of Stakes verify locations of all adjacent buried utilities, drainage structures, pipes, etc. If conflicts between Stake locations and buried elements exist, a maximum of two (2) Stakes within a single Barrier Unit may be omitted if the adjacent Barrier Units are installed with the standard three (3) Stakes.

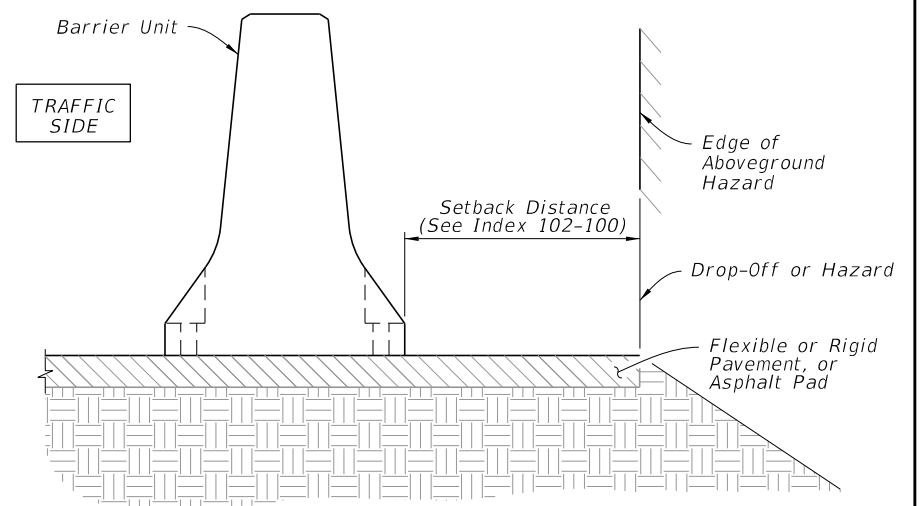
ANCHORED INSTALLATIONS - STAKED



TYPICAL BRIDGE SECTION



TYPICAL MEDIAN SECTION



TYPICAL ROADWAY SECTION

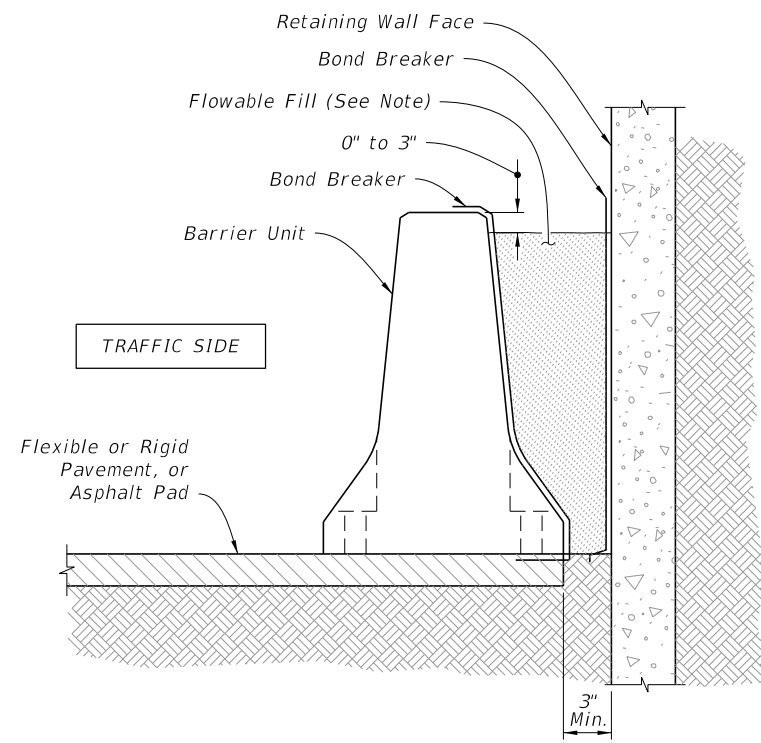
FREE-STANDING INSTALLATION NOTES:

1. For Bridge Decks only, use Keeper Pins that are 1#2" diameter, smooth steel bar in accordance with ASTM A36 or ASTM A709 Grade 36. As directed by the Engineer in order to limit vibration induced translation of the Barrier Units, install one (1) Keeper Pin per Barrier Unit as shown.
2. If traffic is on both sides of the Barrier (i.e. Median Installation), alternate Keeper Pin locations from side to side of Barrier Units along the length of the installation. If traffic is on only one side of the barrier install keeper pins on the traffic side as shown.
3. Do not drill into or otherwise damage bridge deck expansion joints or drains.

FREE-STANDING INSTALLATION

9/23/2021 2:45:45 PM

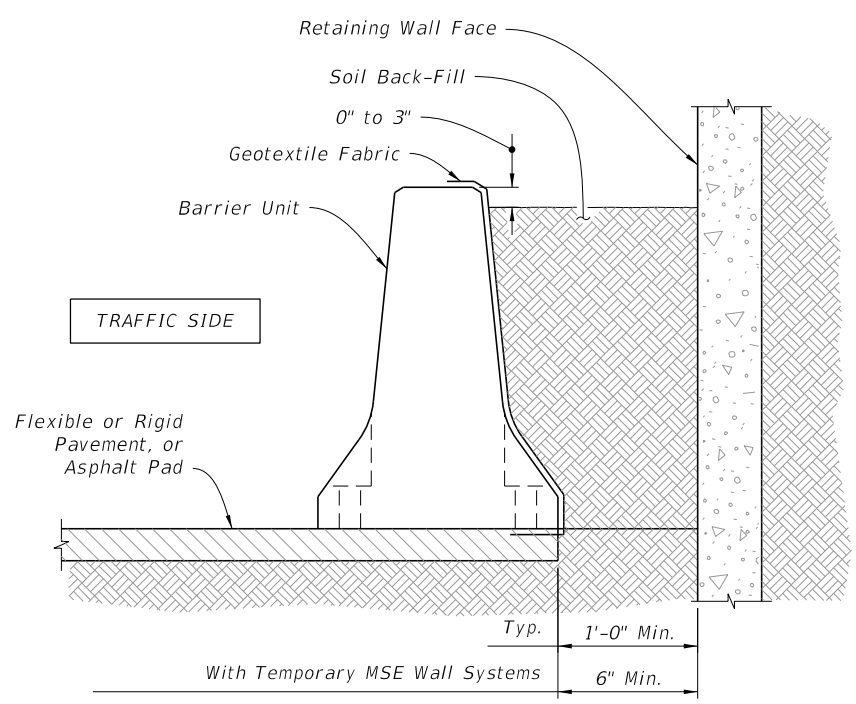
LAST REVISION 11/01/17	REVISION	DESCRIPTION:		FY 2022-23 STANDARD PLANS	TYPE K TEMPORARY CONCRETE BARRIER SYSTEM	INDEX 102-110	SHEET 3 of 17
---------------------------	----------	--------------	--	------------------------------	--	------------------	------------------



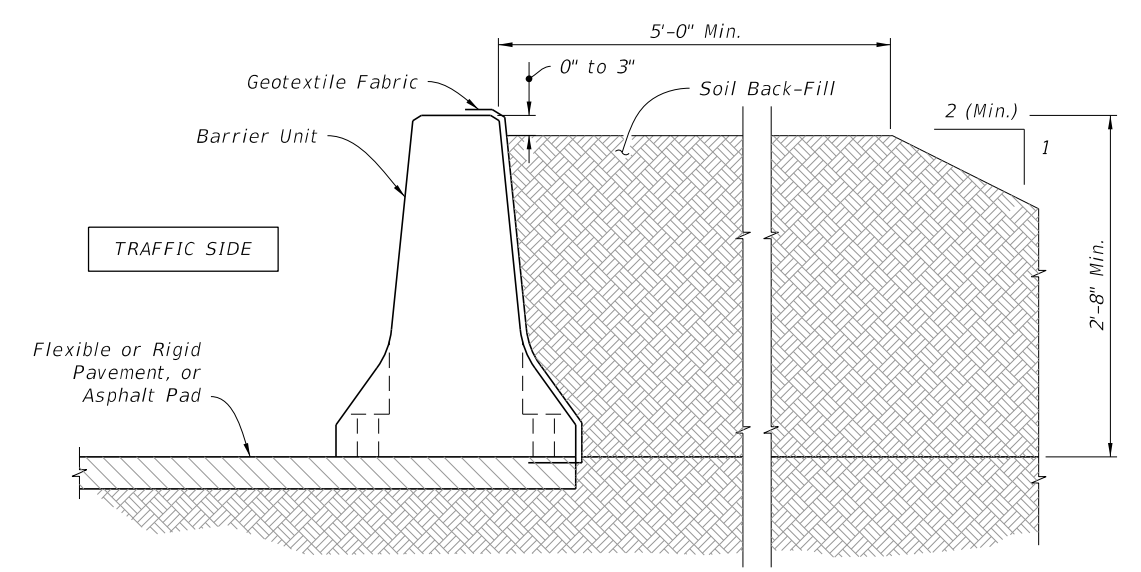
NOTE:
Provide Excavatable Flowable Fill in accordance with Specification 121.

TYPICAL SECTION
ADJACENT TO RETAINING WALL WITH FLOWABLE FILL BACK-FILL

FLOWABLE FILL BACK-FILL ROADSIDE INSTALLATIONS



NOTES:
SOIL BACK-FILL MATERIAL: Provide Back-Fill Material consisting of any available clean soil. Compact Back-Fill Material until the soil mass is firm and unyielding. Provide erosion control as specified in the Plans. If none is specified in the Plans, provide erosion control as required to maintain the integrity of the Back Fill embankment.
GEOTEXTILE FABRIC: Provide Type D-5 Geotextile Fabric in accordance with Specification 985 to contain Back Fill Material behind Barrier Units. Geotextile Fabric may be continuous over the length and height of the installation or may be individual pieces as required to cover the Lift/Drain Slots and open vertical joints between Barrier Units.




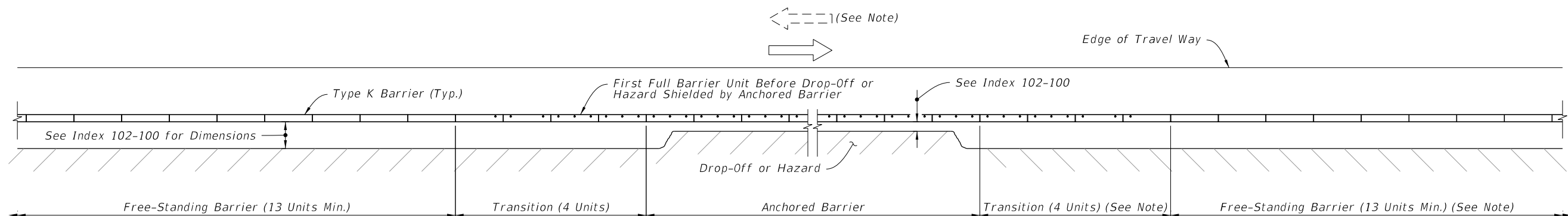
TYPICAL SECTION
ADJACENT TO RETAINING WALL WITH SOIL BACK-FILL

TYPICAL SECTION
WITH SOIL BACK-FILL

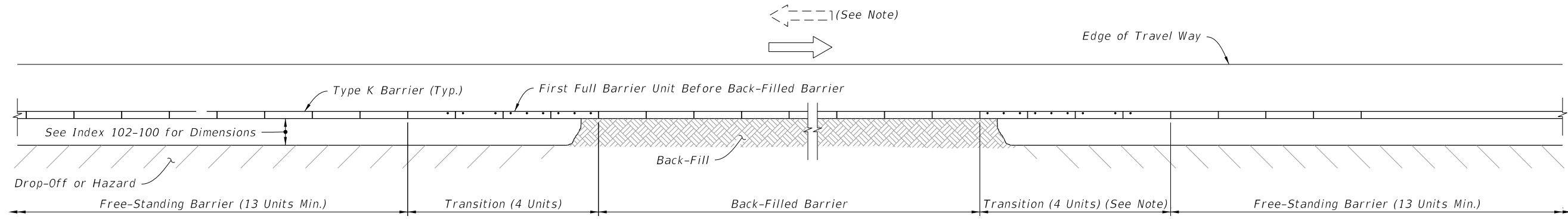
SOIL BACK-FILLED ROADSIDE INSTALLATIONS

9/23/2021 2:45:46 PM

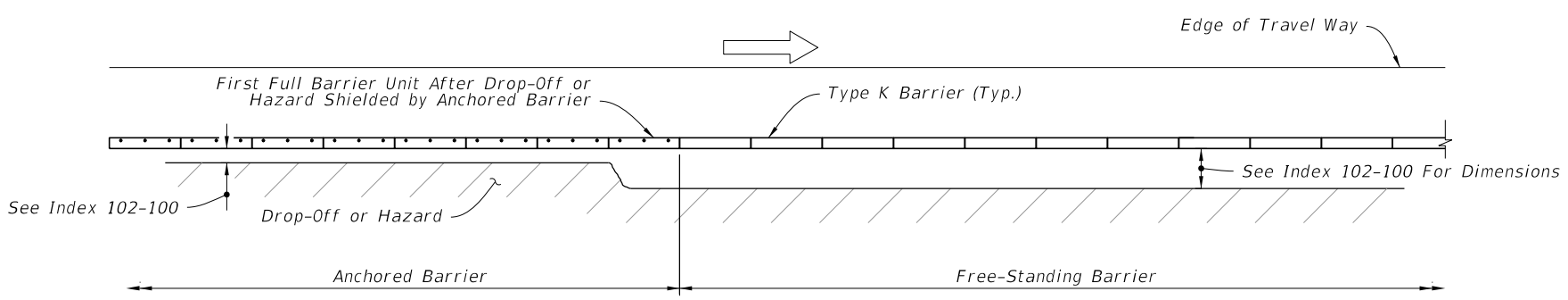
LAST REVISION 11/01/17	REVISION	DESCRIPTION:	 FY 2022-23 STANDARD PLANS	TYPE K TEMPORARY CONCRETE BARRIER SYSTEM	INDEX 102-110	SHEET 4 of 17
---------------------------	----------	--------------	--	--	------------------	------------------



APPROACH TRANSITION FROM FREE-STANDING TO ANCHORED TYPE K TEMPORARY CONCRETE BARRIERS

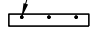



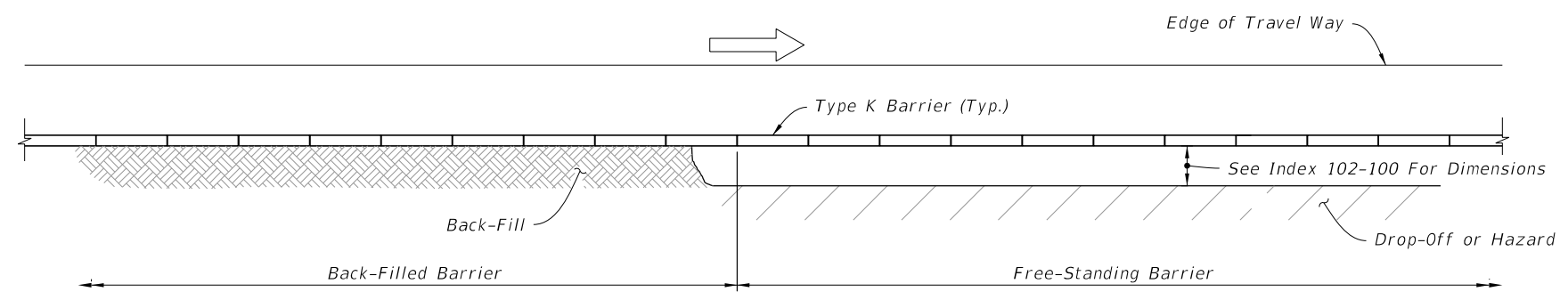
APPROACH TRANSITION FROM FREE-STANDING TO BACK-FILLED TYPE K TEMPORARY CONCRETE BARRIERS



TRAILING END TRANSITION FROM ANCHORED TO FREE-STANDING TYPE K TEMPORARY CONCRETE BARRIERS


NOTE:
Where Barrier is located within Clear Zone of opposing traffic, Approach Transition is required.

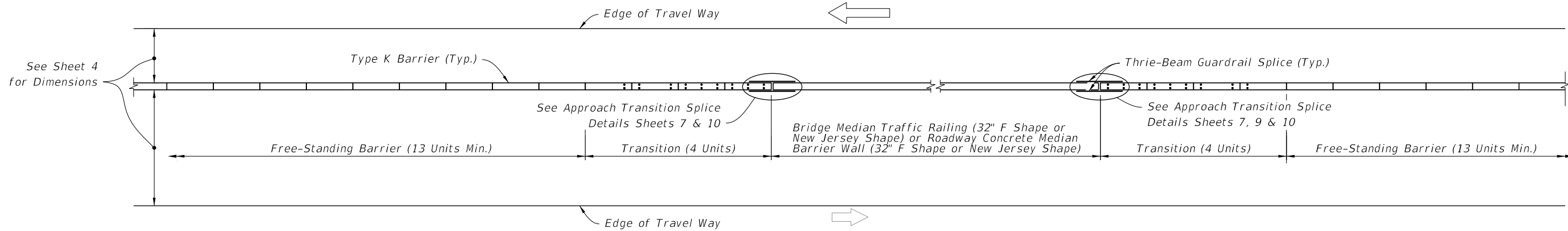
SYMBOLS:
 Dot indicates number and position of Bolts or Stakes
 Direction of Traffic



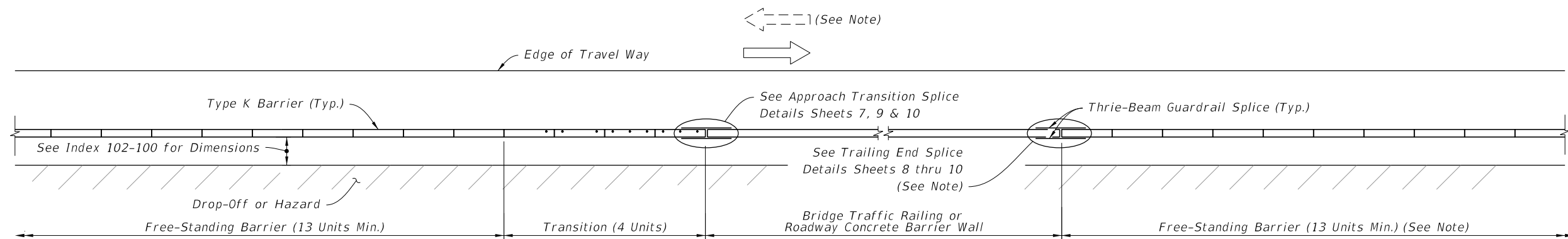
TRAILING END TRANSITION FROM BACK-FILLED TO FREE-STANDING TYPE K TEMPORARY CONCRETE BARRIERS

9/23/2021 2:45:47 PM

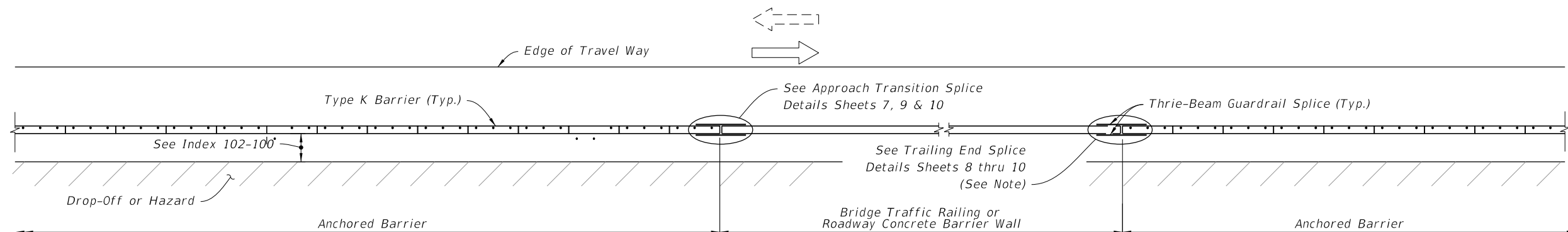
LAST REVISION 11/01/17	REVISION	DESCRIPTION:	 FY 2022-23 STANDARD PLANS	TYPE K TEMPORARY CONCRETE BARRIER SYSTEM	INDEX 102-110	SHEET 5 of 17
---------------------------	----------	--------------	--	--	------------------	------------------



TRANSITION FROM FREE-STANDING TYPE K TEMPORARY CONCRETE BARRIERS TO BRIDGE MEDIAN TRAFFIC RAILING OR ROADWAY MEDIAN CONCRETE BARRIER WALL



TRANSITION FROM FREE-STANDING TYPE K TEMPORARY CONCRETE BARRIERS TO BRIDGE TRAFFIC RAILING OR ROADWAY CONCRETE BARRIER WALL



TRANSITION FROM ANCHORED TYPE K TEMPORARY CONCRETE BARRIERS TO BRIDGE TRAFFIC RAILING OR ROADWAY CONCRETE BARRIER WALL

NOTE:

Where Barrier is located within clear zone of opposing traffic, Approach Transition is required.


SYMBOLS:

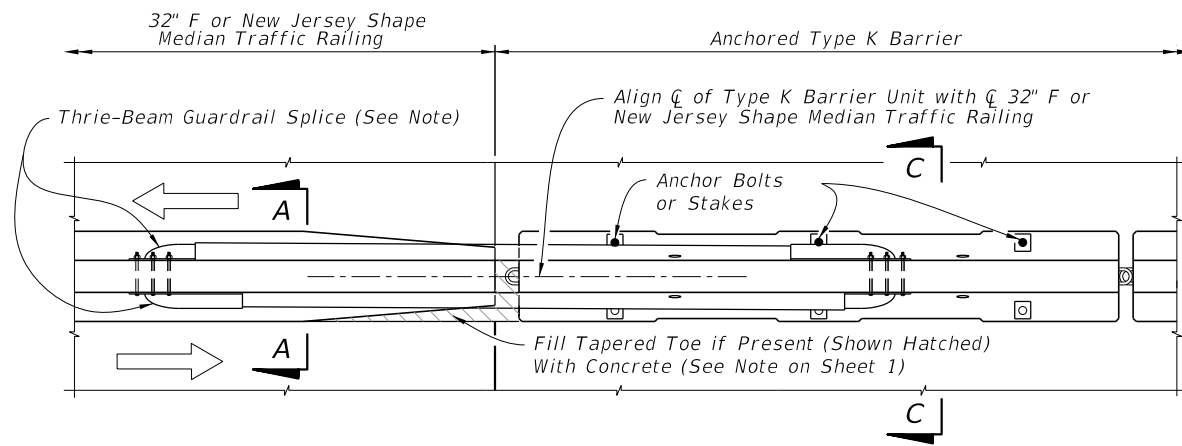
Dot indicates number and position of Bolts or Stakes



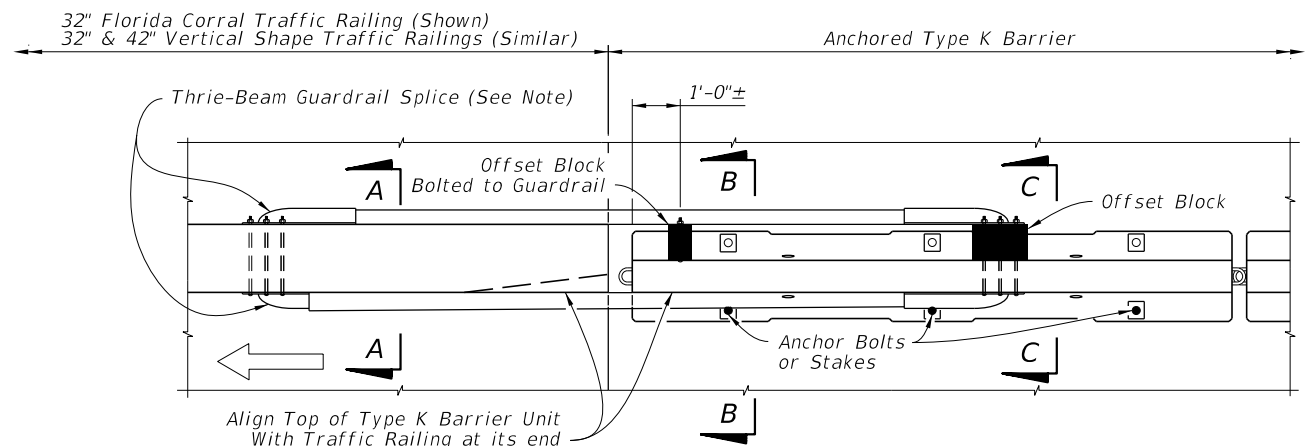
⇒ Direction of Traffic

9/23/2021 2:45:48 PM

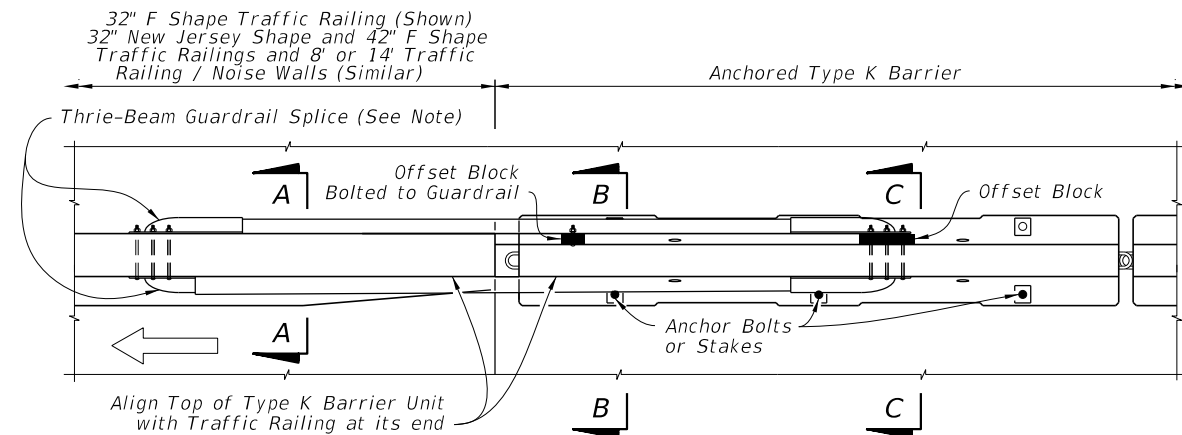
LAST REVISION 11/01/17	REVISION	DESCRIPTION:	 FY 2022-23 STANDARD PLANS	TYPE K TEMPORARY CONCRETE BARRIER SYSTEM	INDEX 102-110	SHEET 6 of 17
---------------------------	----------	--------------	---	--	------------------	------------------



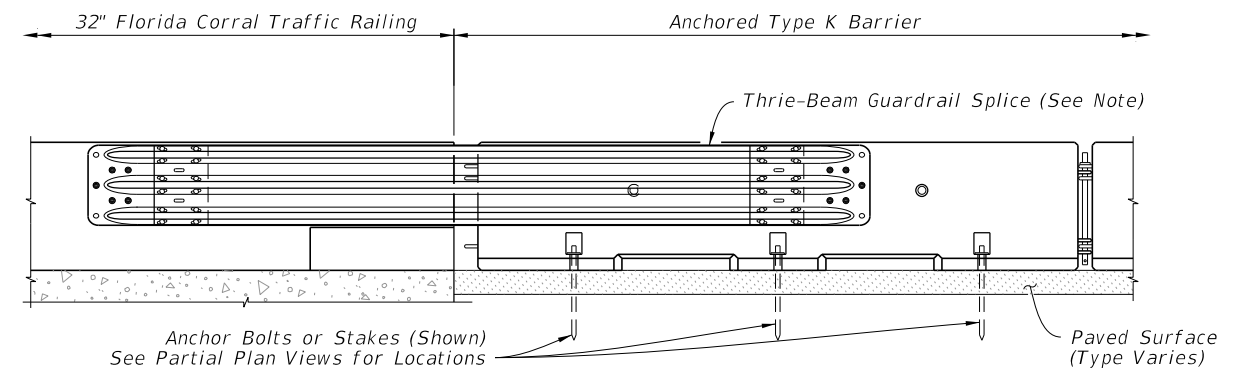
PARTIAL PLAN VIEW AT MEDIAN TRAFFIC RAILING



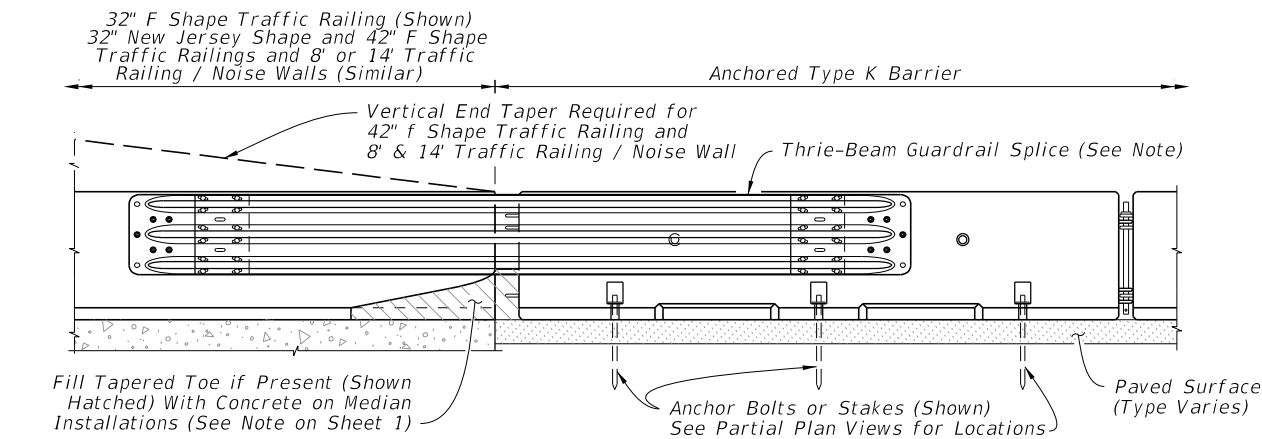
PARTIAL PLAN VIEW



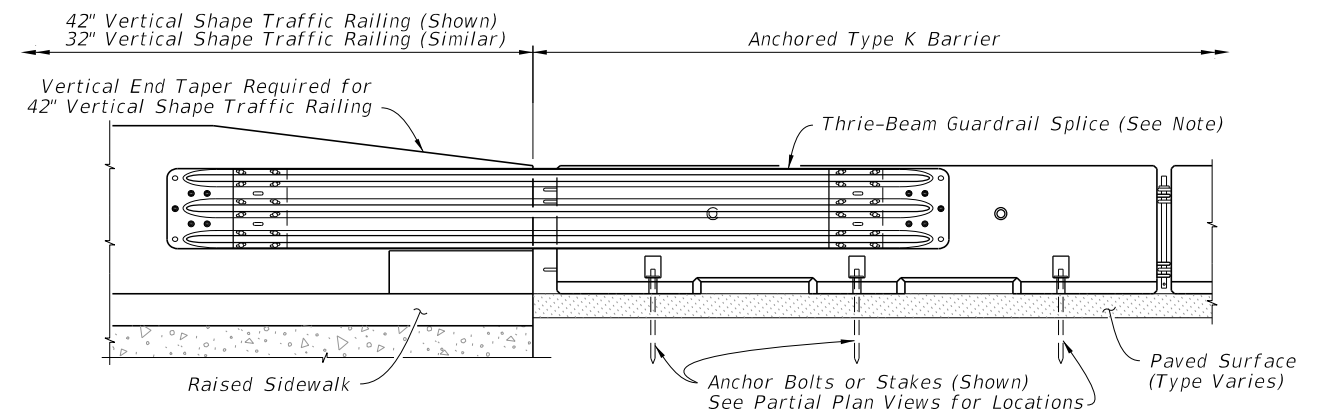
PARTIAL PLAN VIEW AT SHOULDER TRAFFIC RAILING



PARTIAL ELEVATION VIEW - FLORIDA CORRAL TRAFFIC RAILING



PARTIAL ELEVATION VIEW



PARTIAL ELEVATION VIEW - VERTICAL SHAPE TRAFFIC RAILINGS

APPROACH TRANSITION SPLICE DETAIL
FOR F AND NEW JERSEY SHAPE TRAFFIC RAILINGS AND 8' & 14'
TRAFFIC RAILING / NOISE WALLS (CONCRETE BARRIER WALL SIMILAR)

SYMBOL:

→ Direction of Traffic


NOTE:

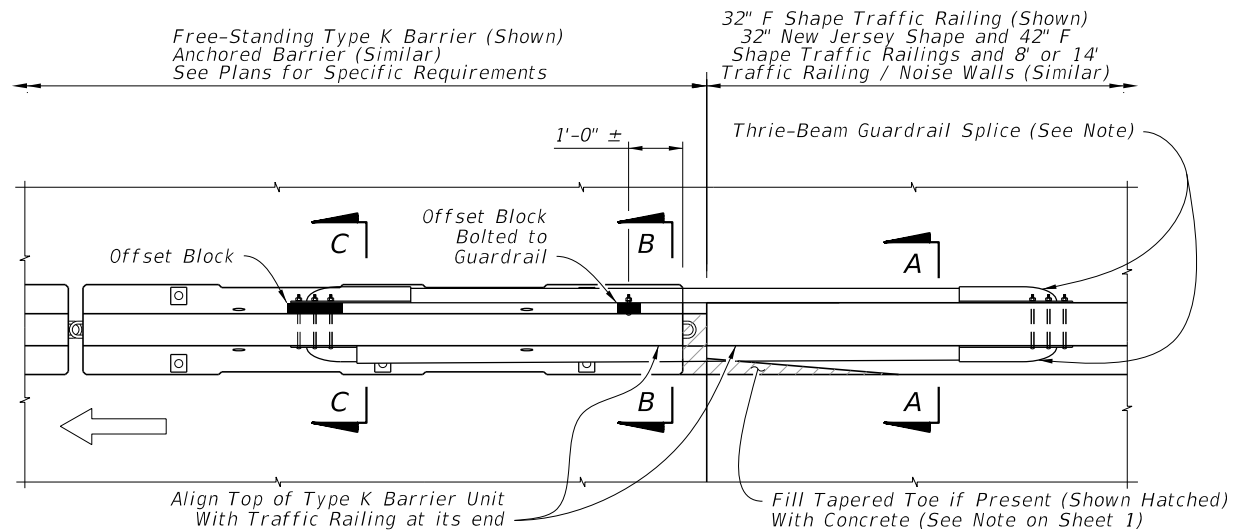
See Thrie-Beam Guardrail Positioning Detail, Sheet 10 and Notes for Thrie-Beam Guardrail Splice Installations, Sheet 1.

CROSS REFERENCES:

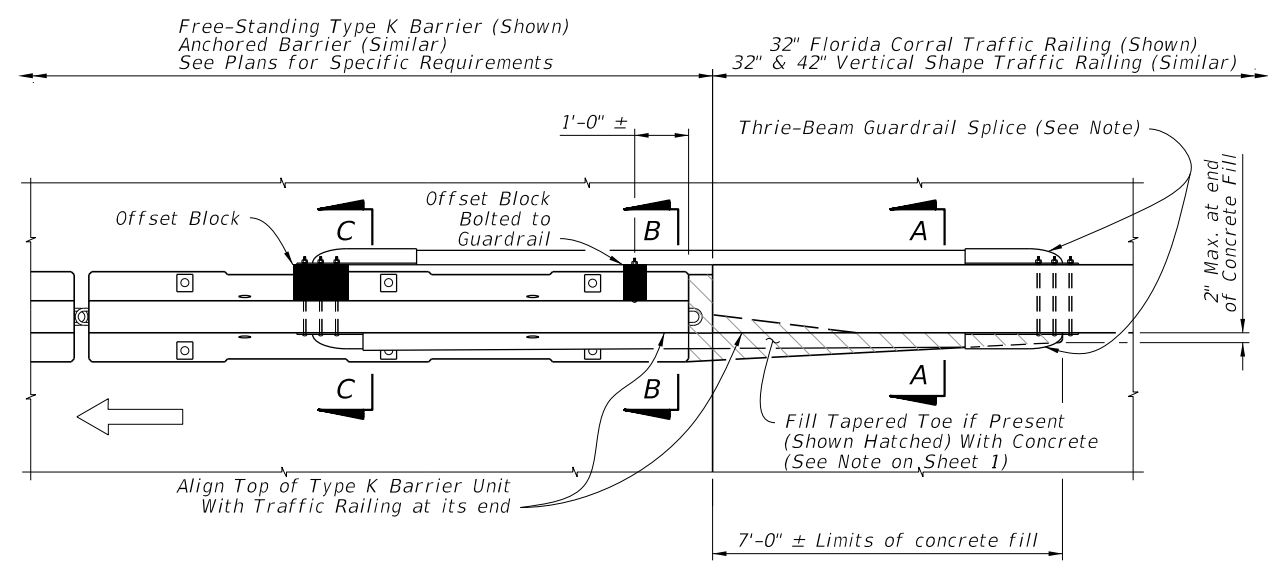
See Sheet 10 for Section A-A, Section B-B and Section C-C.

9/23/2021 2:45:48 PM

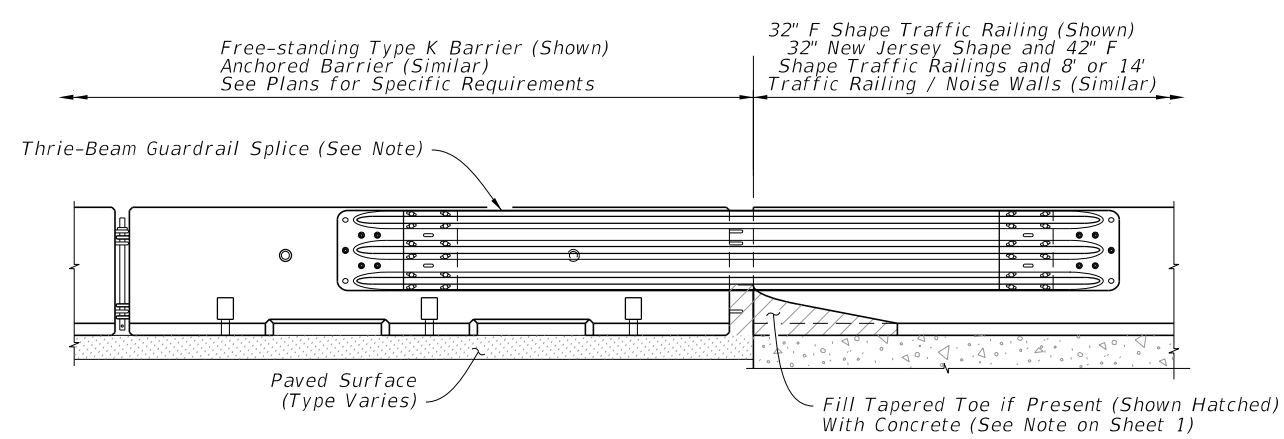
LAST REVISION 11/01/17	DESCRIPTION:		FY 2022-23 STANDARD PLANS	TYPE K TEMPORARY CONCRETE BARRIER SYSTEM	INDEX 102-110	SHEET 7 of 17
---------------------------	--------------	---	------------------------------	--	------------------	------------------



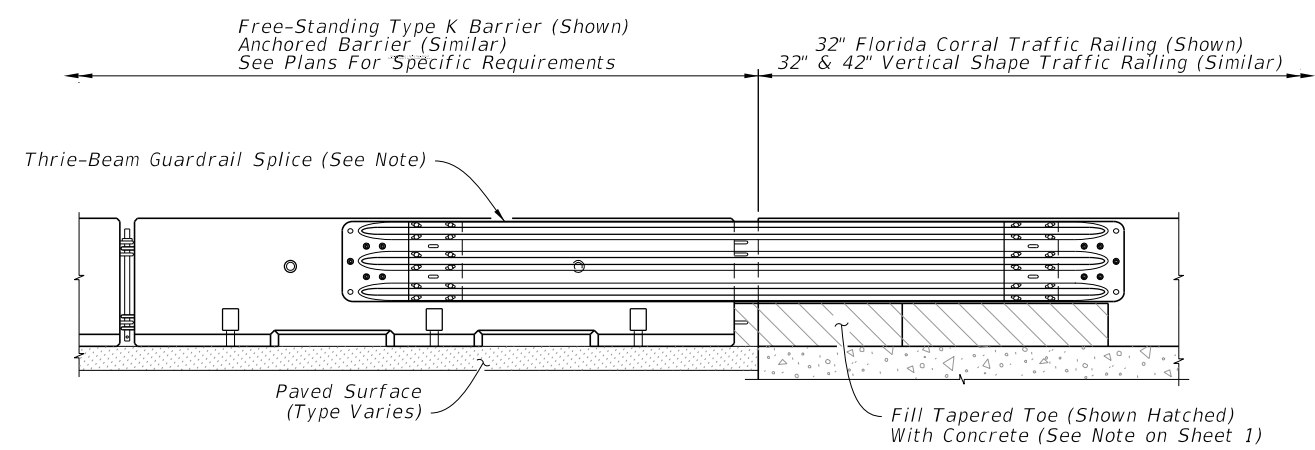
PARTIAL PLAN VIEW



PARTIAL PLAN VIEW



PARTIAL ELEVATION VIEW



PARTIAL ELEVATION VIEW

TRAILING END SPLICE DETAIL
FOR F AND NEW JERSEY SHAPE TRAFFIC RAILINGS
AND 8' & 14' TRAFFIC RAILING / NOISE WALLS

TRAILING END SPLICE DETAIL
FOR FLORIDA CORRAL AND VERTICAL
SHAPE TRAFFIC RAILINGS

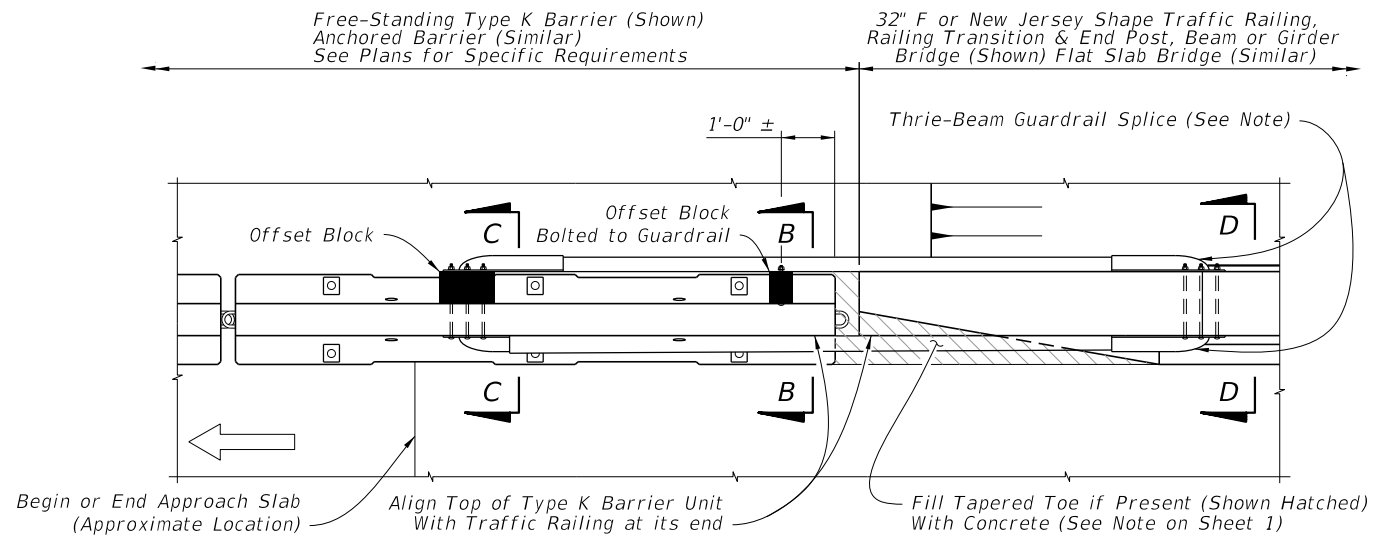
SYMBOL:
 Direction of Traffic

NOTE:
 See Thrie-Beam Guardrail Positioning Detail, Sheet 10 and Notes for Thrie-Beam Guardrail Splice Installations, Sheet 1.

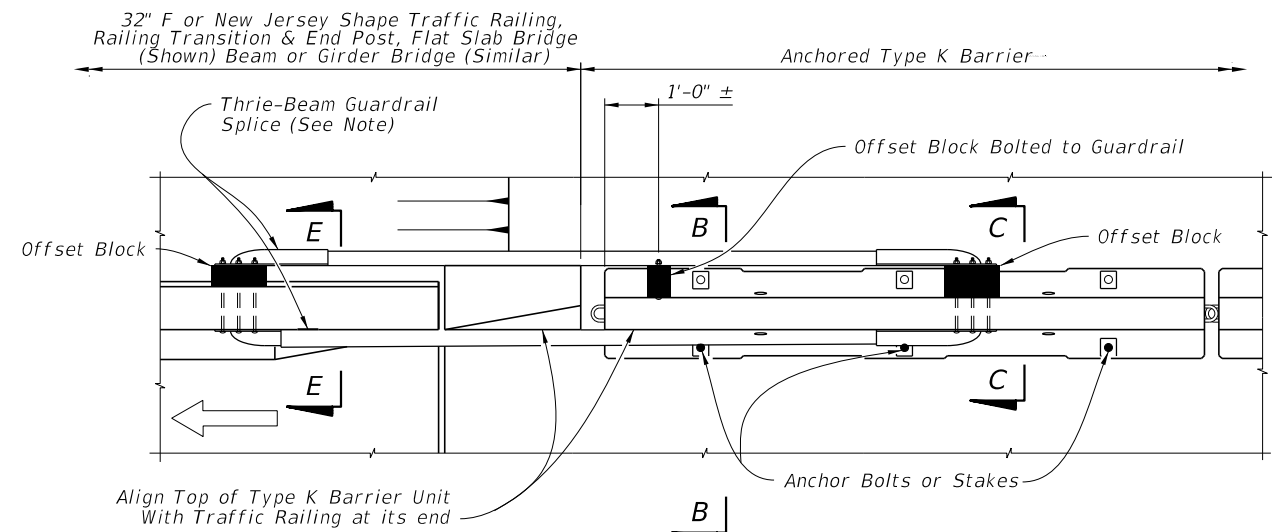
CROSS REFERENCES:
 See Sheet 10 for Section A-A, Section B-B and Section C-C.

9/23/2021 2:45:49 PM

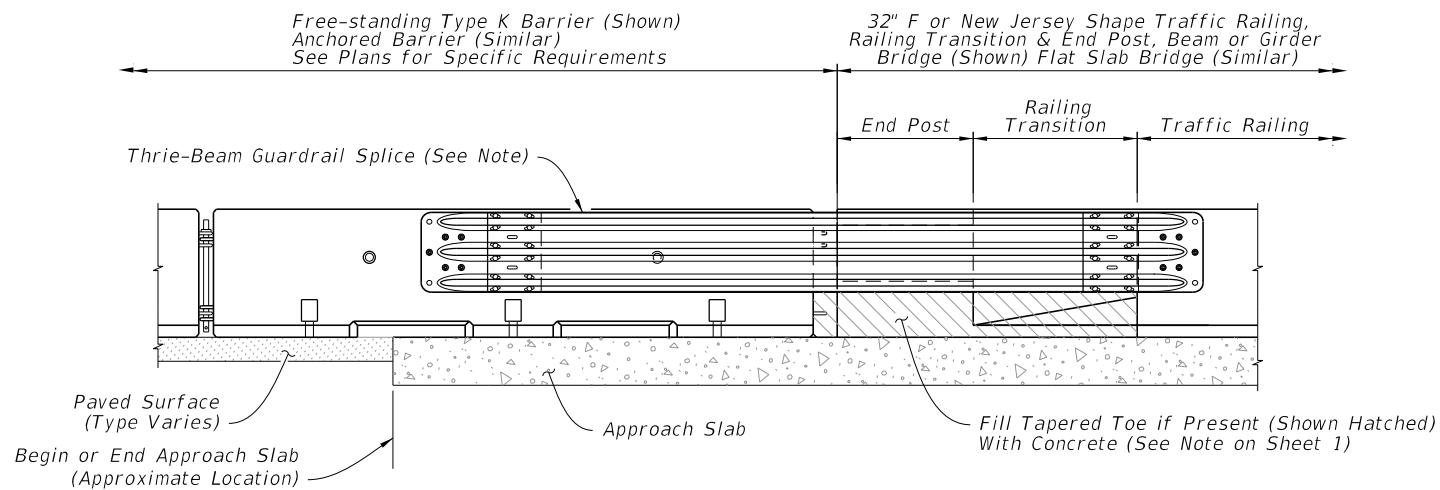
LAST REVISION 11/01/17	REVISION	DESCRIPTION:		FY 2022-23 STANDARD PLANS	TYPE K TEMPORARY CONCRETE BARRIER SYSTEM	INDEX 102-110	SHEET 8 of 17
---------------------------	----------	--------------	--	------------------------------	--	------------------	------------------



PARTIAL PLAN VIEW



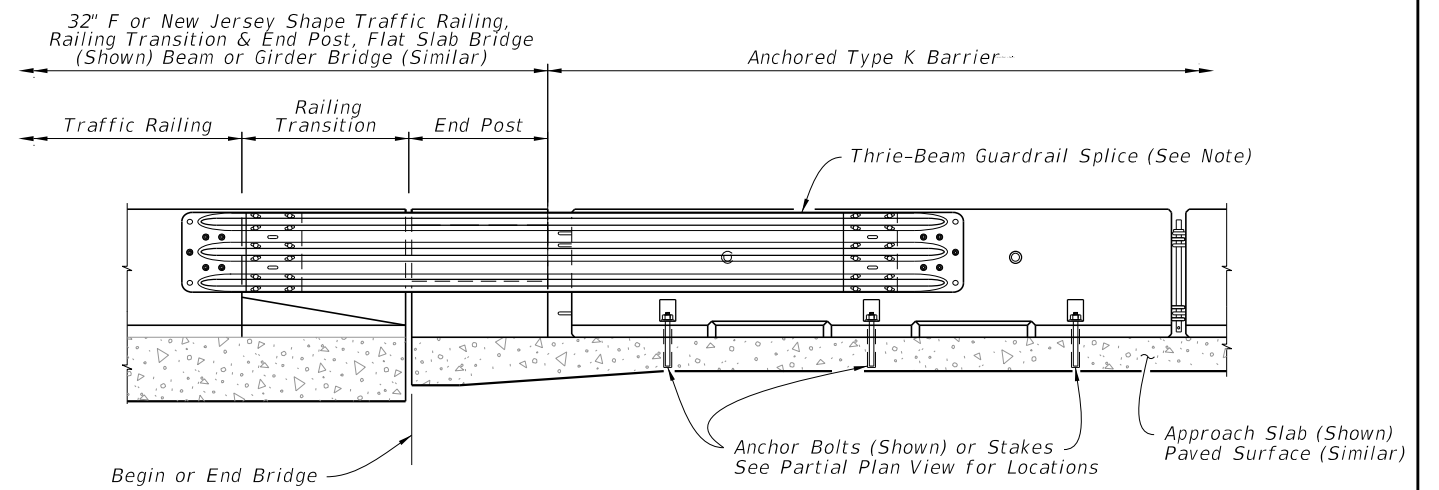
PARTIAL PLAN VIEW



PARTIAL ELEVATION VIEW

CROSS REFERENCES:

See Sheet 10 for Section B-B, Section C-C and Section D-D.



PARTIAL ELEVATION VIEW

CROSS REFERENCES:

See Sheet 10 for Section B-B, Section C-C and Section E-E.

TRAILING END SPLICE DETAIL
FOR 32" F AND NEW JERSEY SHAPE TRAFFIC RAILINGS
WITH RAILING TRANSITION AND END POST

APPROACH TRANSITION SPLICE DETAIL
FOR 32" F AND NEW JERSEY SHAPE TRAFFIC RAILINGS
WITH RAILING TRANSITION AND END POST


SYMBOL:

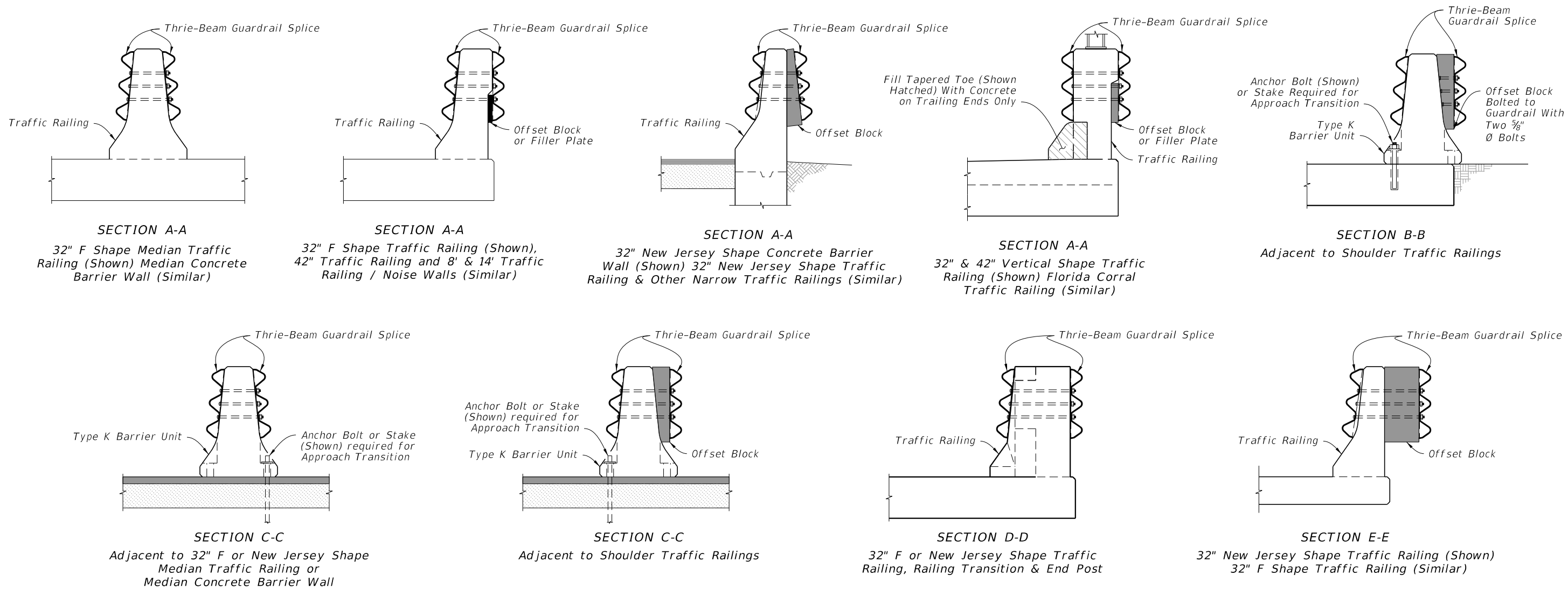
➡ Direction of Traffic

NOTE:

See Thrie-Beam Guardrail Positioning Detail, Sheet 10 and Notes for Thrie-Beam Guardrail Splice Installations, Sheet 1.

9/23/2021 2:45:50 PM

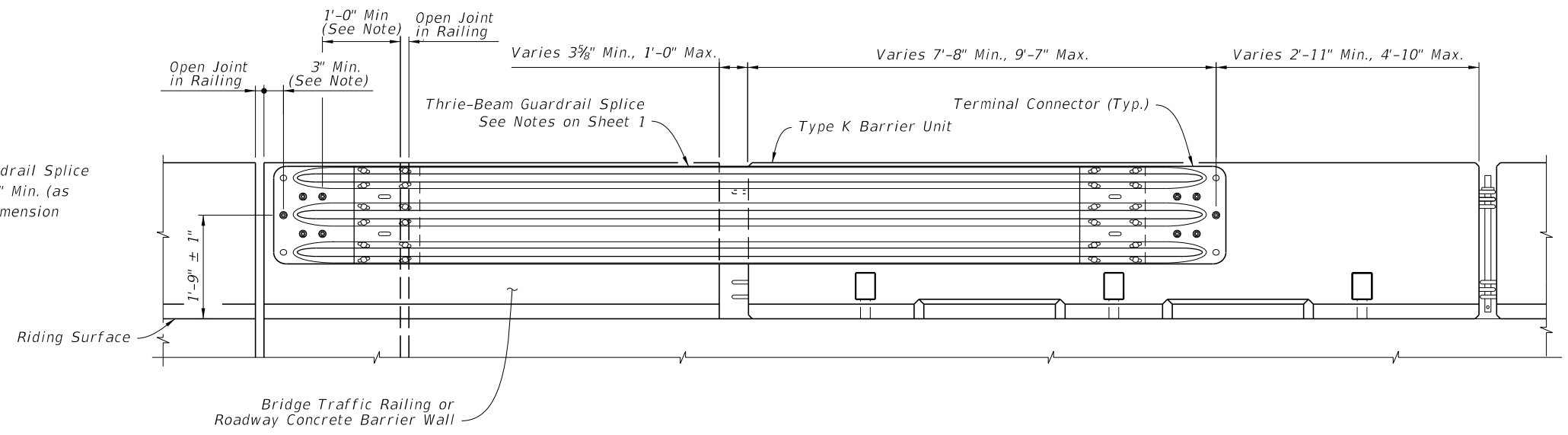
LAST REVISION 11/01/17	REVISION	DESCRIPTION:	 FY 2022-23 STANDARD PLANS	TYPE K TEMPORARY CONCRETE BARRIER SYSTEM	INDEX 102-110	SHEET 9 of 17
---------------------------	----------	--------------	---	---	------------------	------------------



CROSS SECTIONS


NOTE:

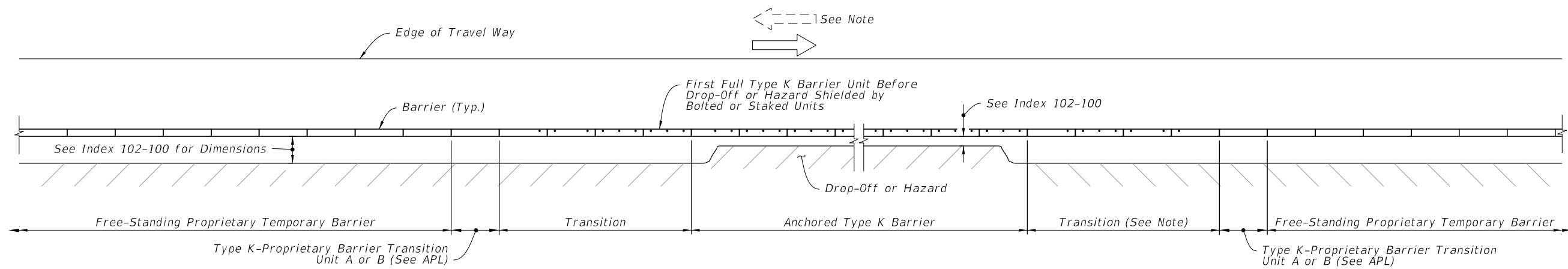
Shift Thrie-Beam Guardrail Splice beyond Open Joint 1'-0" Min. (as shown) when 3" Min. dimension can not be obtained



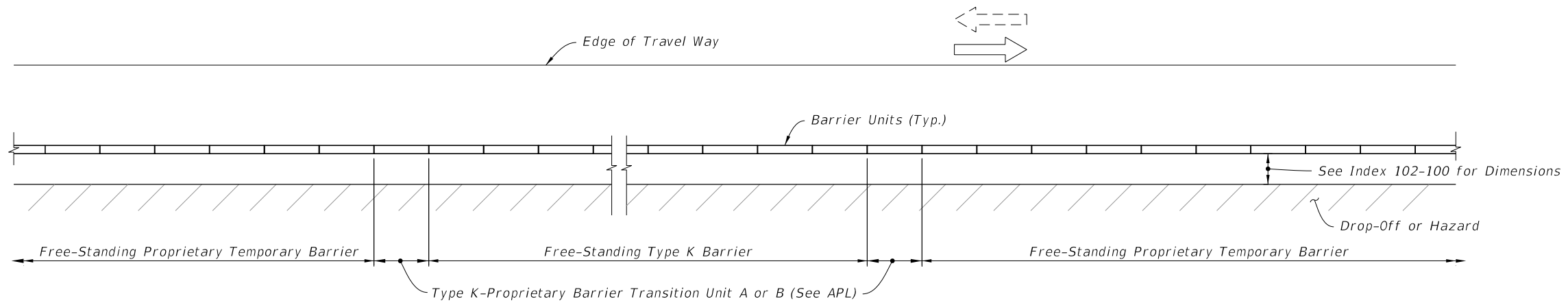
THRIE-BEAM GUARDRAIL POSITIONING DETAIL

9/23/2021 2:45:51 PM

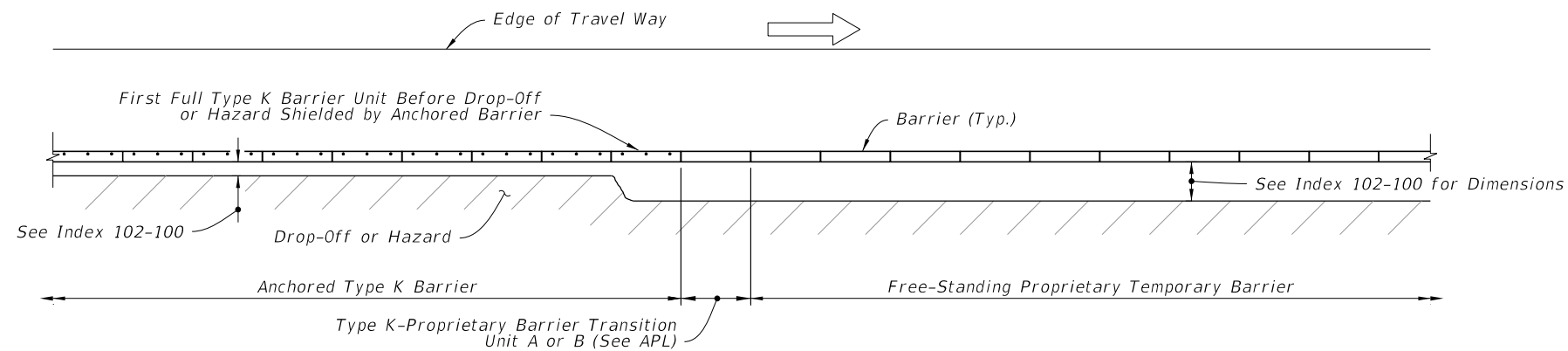
LAST REVISION 11/01/17	DESCRIPTION:	 FY 2022-23 STANDARD PLANS	TYPE K TEMPORARY CONCRETE BARRIER SYSTEM	INDEX 102-110	SHEET 10 of 17
---------------------------	--------------	--	---	-------------------------	--------------------------



APPROACH TRANSITION FROM FREE-STANDING PROPRIETARY TEMPORARY BARRIERS TO ANCHORED TYPE K TEMPORARY CONCRETE BARRIERS

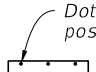
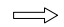


APPROACH AND TRAILING END TRANSITIONS FROM FREE-STANDING TYPE K TEMPORARY CONCRETE BARRIERS TO FREE-STANDING PROPRIETARY TEMPORARY BARRIERS




TRAILING END TRANSITION FROM ANCHORED TYPE K TEMPORARY CONCRETE BARRIERS TO FREE-STANDING PROPRIETARY TEMPORARY BARRIERS

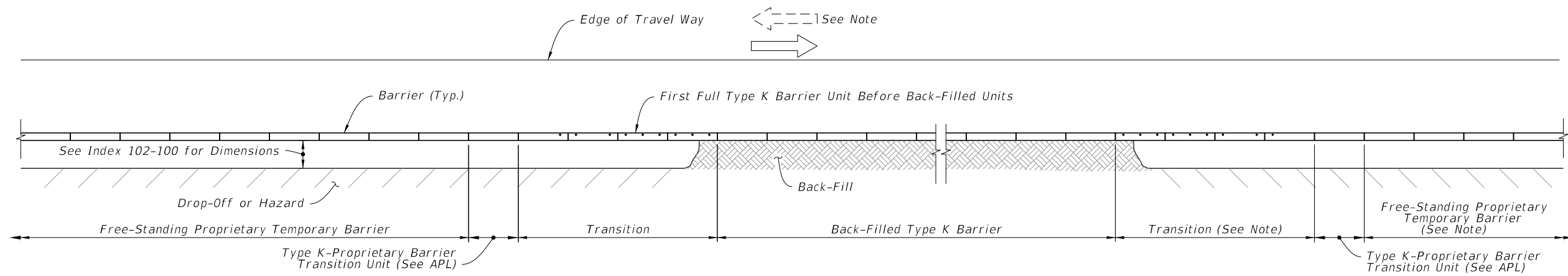
NOTE:
Where Barrier is located within Clear Zone of opposing traffic, Approach Transition is required.

SYMBOLS:
 Dot indicates number and position of Bolts or Stakes.
 Direction of Traffic

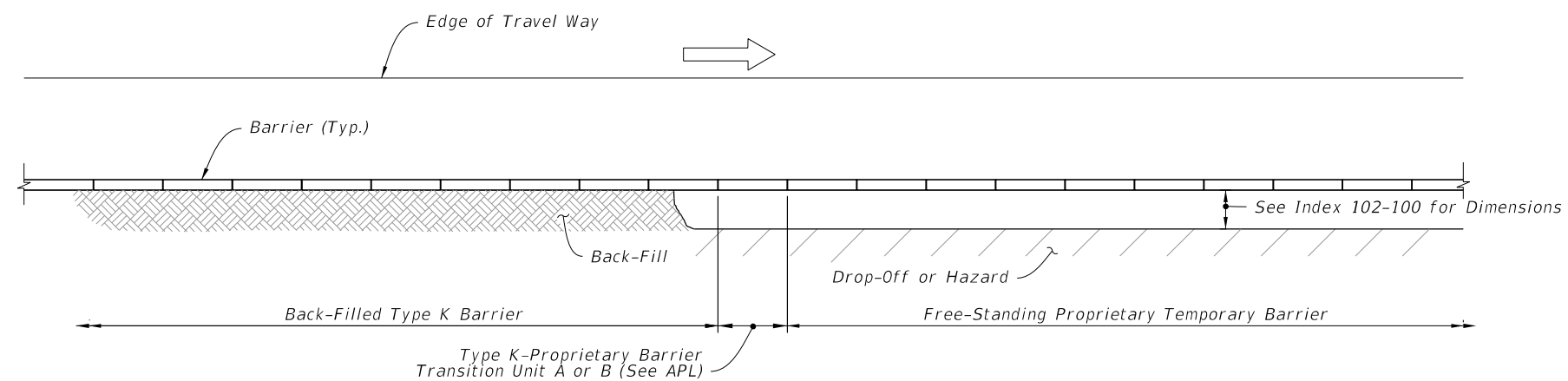
9/23/2021 2:45:52 PM

LAST REVISION 11/01/17	REVISION	DESCRIPTION:	 FY 2022-23 STANDARD PLANS	TYPE K TEMPORARY CONCRETE BARRIER SYSTEM	INDEX 102-110	SHEET 11 of 17
---------------------------	----------	--------------	--	--	------------------	-------------------

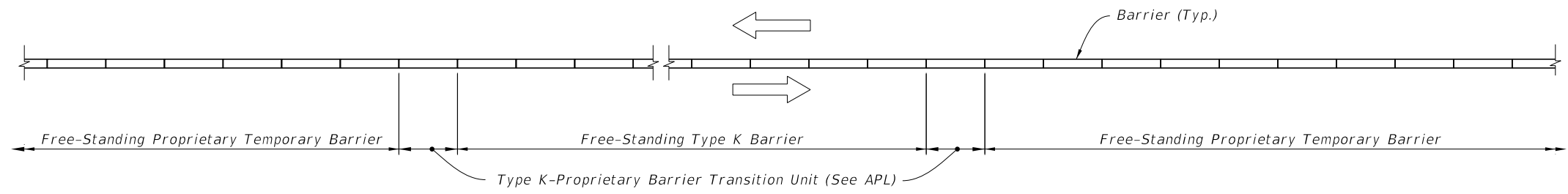
TYPE K-PROPRIETARY TEMPORARY CONCRETE BARRIER TRANSITIONS



APPROACH TRANSITION FROM FREE-STANDING PROPRIETARY TEMPORARY BARRIERS TO BACK-FILLED TYPE K TEMPORARY CONCRETE BARRIERS



TRAILING END TRANSITION FROM BACK-FILLED TYPE K TEMPORARY CONCRETE BARRIERS TO FREE-STANDING PROPRIETARY TEMPORARY BARRIERS



MEDIAN APPROACH AND TRAILING END TRANSITIONS FROM FREE-STANDING TYPE K TEMPORARY CONCRETE BARRIERS TO FREE-STANDING PROPRIETARY TEMPORARY BARRIERS

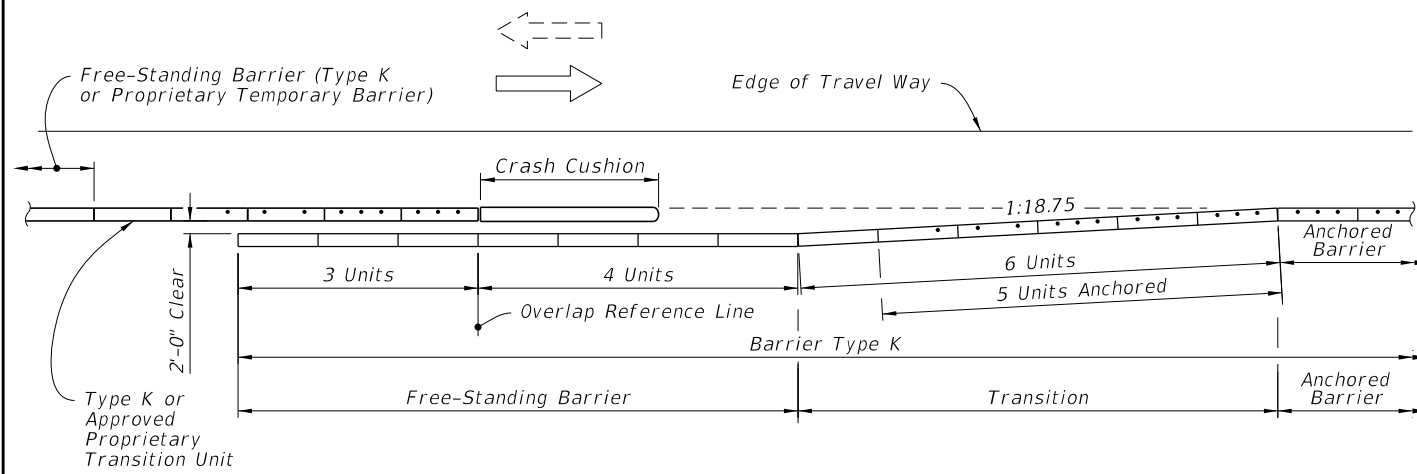
NOTE:
Where Barrier is located within Clear Zone of opposing traffic, Approach Transition is required.

SYMBOLS:
 Dot indicates number and position of Bolts or Stakes
 Direction of Traffic

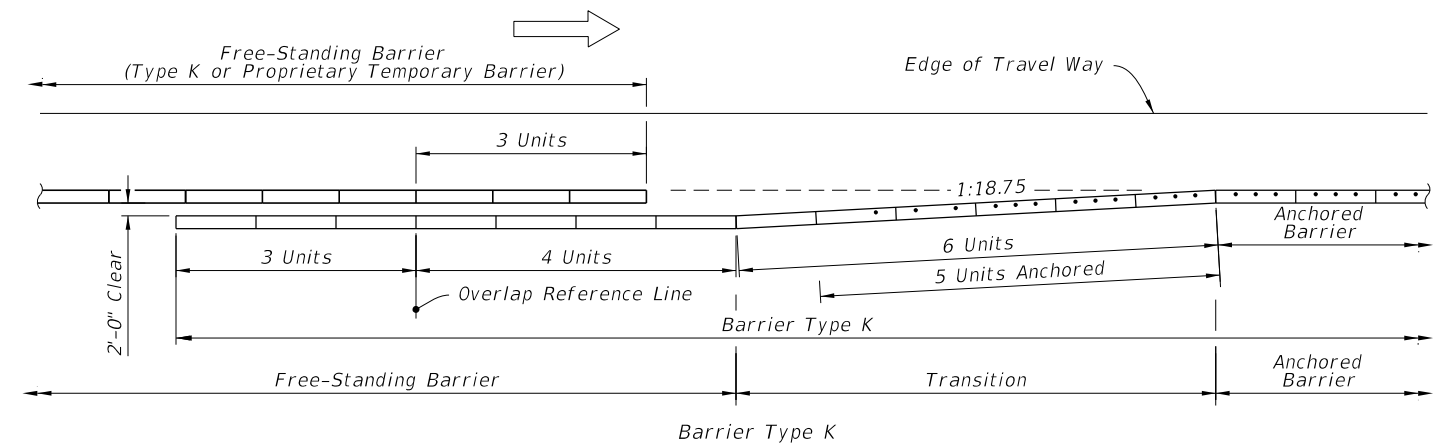
TYPE K-PROPRIETARY TEMPORARY CONCRETE BARRIER TRANSITIONS

9/23/2021 2:45:52 PM

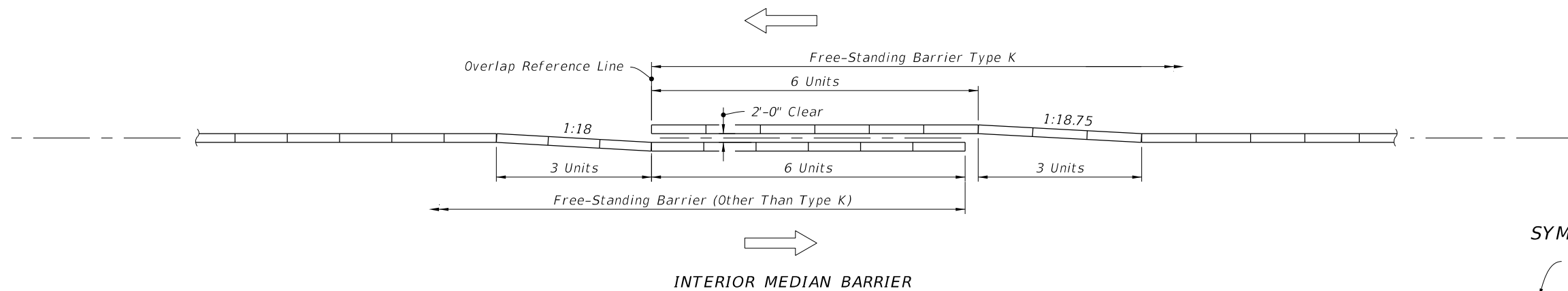
LAST REVISION 11/01/17	REVISION	DESCRIPTION:		FY 2022-23 STANDARD PLANS	TYPE K TEMPORARY CONCRETE BARRIER SYSTEM	INDEX 102-110	SHEET 12 of 17
---------------------------	----------	--------------	--	------------------------------	--	------------------	-------------------



APPROACH SHOULDER BARRIER ON UNDIVIDED FACILITIES

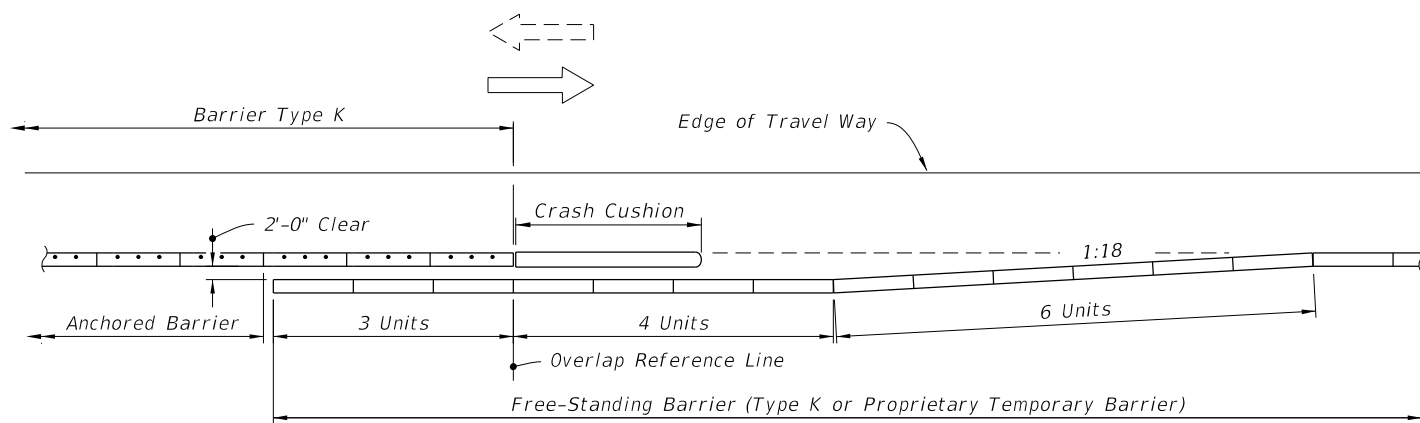


APPROACH SHOULDER BARRIER ON DIVIDED FACILITIES

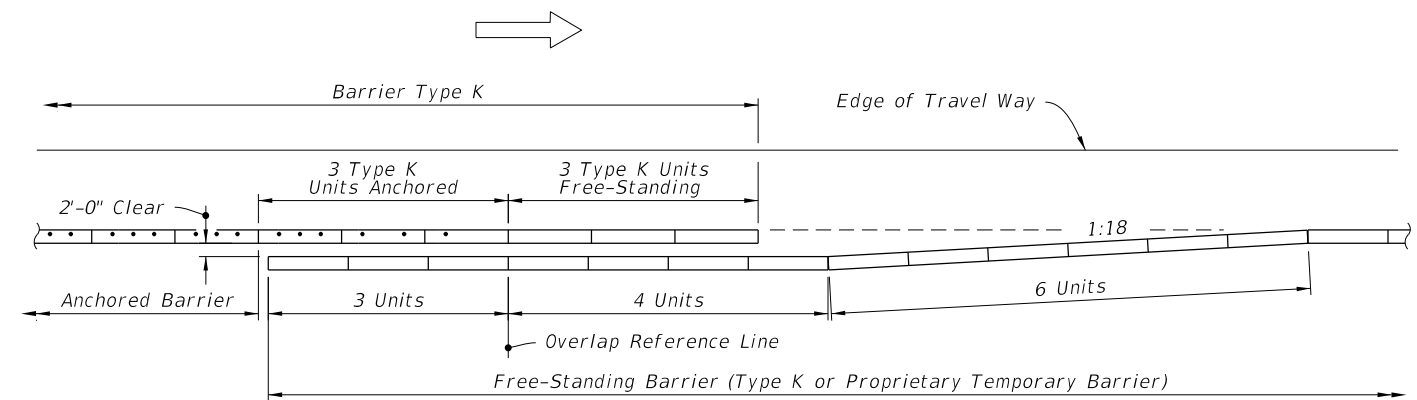


INTERIOR MEDIAN BARRIER

SYMBOLS:
 Dot indicates number and position of Bolts or Stakes
 → Direction of Traffic




DEPARTURE (TRAILING) SHOULDER BARRIER ON UNDIVIDED FACILITIES
 (BARRIER TYPE K ON BRIDGES AND APPROACH SLABS)



DEPARTURE (TRAILING) SHOULDER BARRIER ON DIVIDED FACILITIES
 (BARRIER TYPE K ON BRIDGES AND APPROACH SLABS)

CONTINUATION OF BARRIER • FROM OTHER TYPE BARRIERS TO BARRIER TYPE K

9/23/2021 2:45:53 PM

LAST REVISION 11/01/17	REVISION	DESCRIPTION:	 FY 2022-23 STANDARD PLANS	TYPE K TEMPORARY CONCRETE BARRIER SYSTEM	INDEX 102-110	SHEET 13 of 17
---------------------------	----------	--------------	---	--	------------------	-------------------

NOTE:

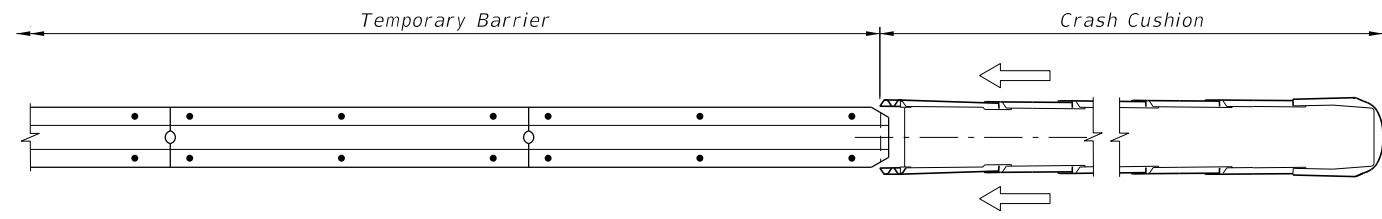
When subjected to reverse direction hits, construct Transition Panels from Temporary Barrier to Crash Cushions; for additional details refer to the applicable crash cushion drawings on the APL.

SYMBOLS:

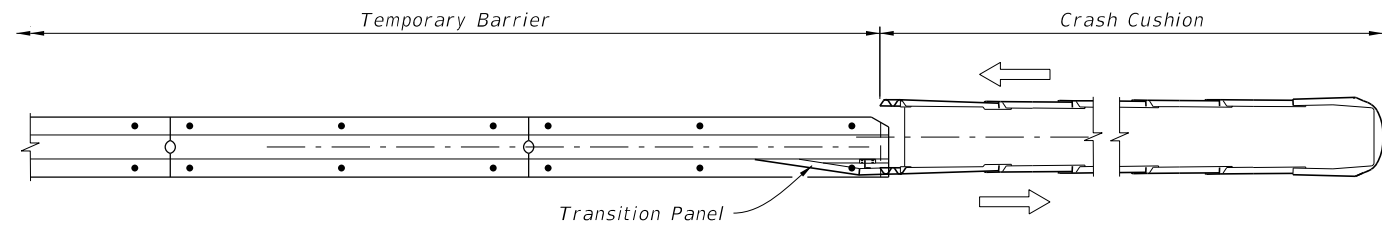
Dot indicates number and position of Bolts or Stakes



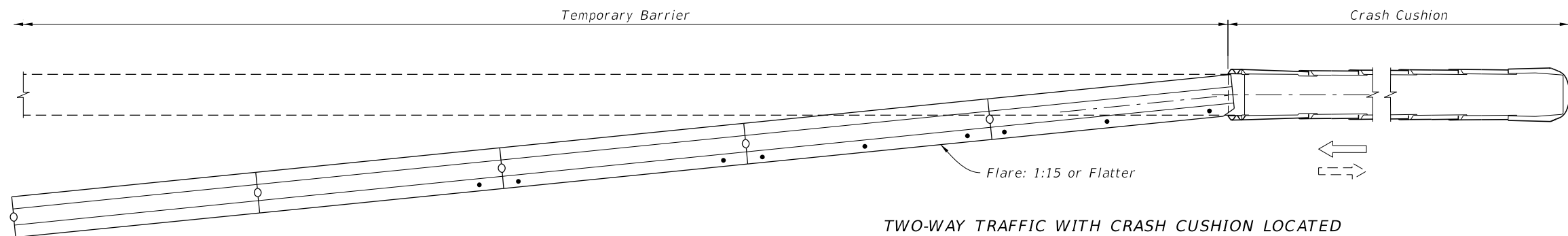
→ Direction of Traffic



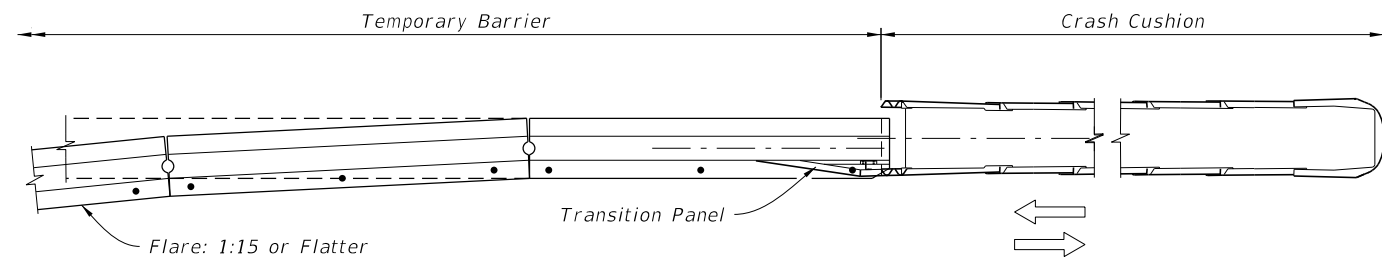
UNIDIRECTIONAL - SEPARATED TRAFFIC



BIDIRECTIONAL - SEPARATED TRAFFIC



TWO-WAY TRAFFIC WITH CRASH CUSHION LOCATED OUTSIDE OPPOSING LANE CLEAR ZONE OR ONE-WAY TRAFFIC




TWO-WAY TRAFFIC WITH CRASH CUSHION LOCATED WITHIN OPPOSING LANE CLEAR ZONE



SHIELDING ENDS WITH REDIRECTIVE CRASH CUSHIONS (REDIRECTIVE OPTION)

9/23/2021 2:45:54 PM

LAST REVISION 11/01/17	REVISION	DESCRIPTION:	 FY 2022-23 STANDARD PLANS	TYPE K TEMPORARY CONCRETE BARRIER SYSTEM	INDEX 102-110	SHEET 14 of 17
---------------------------	----------	--------------	---	--	------------------	-------------------

FABRICATION NOTES:

In order to maintain crashworthiness of the Barrier System, do not substitute different grades, sizes, shapes or types of reinforcing steel for those shown for constructing Type K Barrier Units. Also, do not substitute different type, size, length or material grade anchor bolts, nuts, washers, adhesives, connector pins, stakes, keeper pins, or guardrail components for installing Type K Barrier Units.

FABRICATOR PREQUALIFICATIONS:

- A. The Concrete Plant that meets the requirements;
 - a. Specification 450 for prestressed concrete
 - b. Specification 105 for precast.

CONCRETE:

- A. Construct Barrier Units with Class IV concrete in accordance with Specification 346.
- B. Specification 346-10 is not applicable.
- C. Barrier Units represented by concrete acceptance strength tests which fall below 5000 psi will be rejected.

REINFORCING STEEL:

- A. Use only steel reinforcing that meet ASTM A 615, Grade 60, with the exception of Bars 6D1, 6D2 and 6D3.
- B. Bars 6D1, 6D2 and 6D3 use steel reinforcing that meets ASTM A 706, with the exception that a 2 $\frac{3}{4}$ " diameter pin must be used for the 180 degree bend test.
- C. After steel reinforcing fabrication, hot dip galvanized in accordance with Specification 962 or coated with a cold galvanizing compound in accordance with Specification 562, all or part of Bars 6D.
- D. At the Fabricator's option, the entire length of Bars 6D may be galvanized or coated.
- E. The minimum limit of galvanizing or coating is shown in the Bending Diagrams.
- F. Install Bars 6D within $\frac{1}{8}$ " of the plan dimensions.
- G. Correct placement of Bars 6D is critical for proper fit up and performance of individual Barrier Units.
- H. At the option of the Fabricator, Deformed Welded Wire Fabric in accordance with Specification 931 and the details shown on Sheet 15 may be utilized in lieu of Bars 4A and 5B.
- I. All dimensions in the Bending Diagrams are out to out.
- J. Install all reinforcing steel with a 2" minimum cover, except as noted.

LIFTING SLEEVE ASSEMBLY:

- A. Inclusion of the Lifting Sleeve Assemblies is optional.
- B. Use steel in accordance with ASTM A 53 for the Pipe Sleeve.
- C. Hot-dip galvanize the Lifting Sleeve Assemblies after their fabrication in accordance with the Specifications.


SURFACE FINISH:

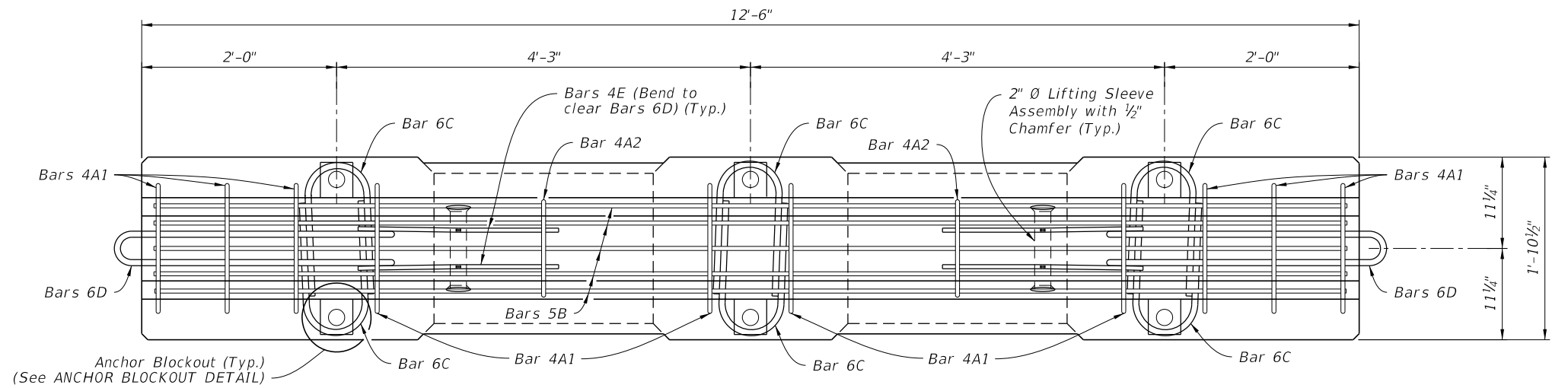
- A. Construct Barrier Units in accordance with Specifications 400 and 521.
- B. Finish the top and sides of the Barrier Units with a General Surface Finish.
- C. Finish the bottom of the Barrier Units to a dense uniform surface by floating in lieu of the General Surface Finish.
- D. Use stationary metal forms or stationary timber forms with a form liner.

MARKING:

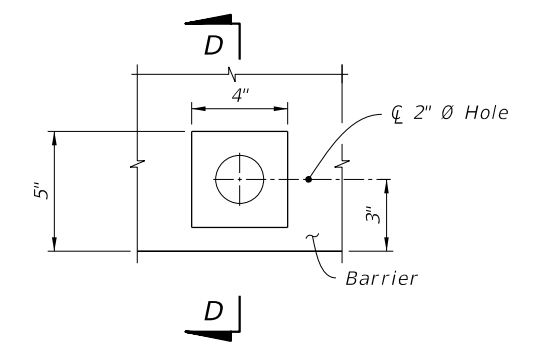
- A. Permanently mark the top left end of each Barrier Unit by the use of an embedded and anchored metallic plate with letters and figures a minimum of 0.5" tall.
- B. Ink stamps are not allowed.
- C. Permanently mark with the following information:
 - Type K1
 - Fabricator's name or symbol
 - Date of manufacture (day, month and year)

9/23/2021 2:45:54 PM

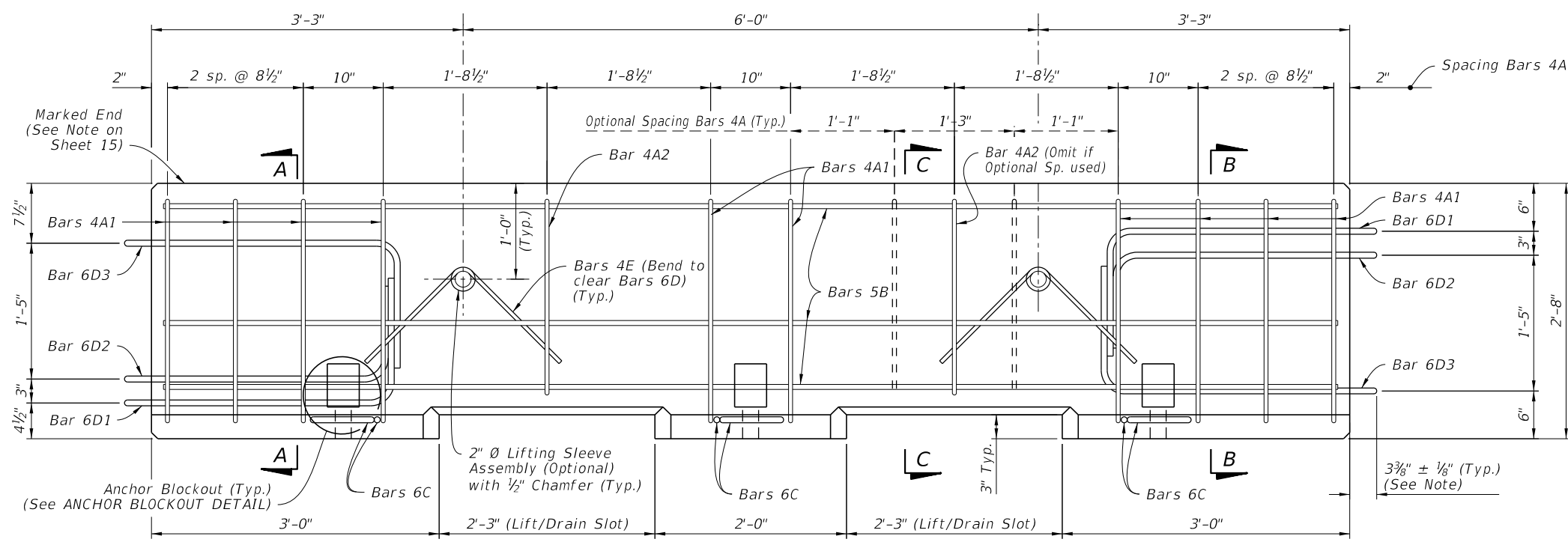
LAST REVISION 11/01/17	REVISION	DESCRIPTION:	 FY 2022-23 STANDARD PLANS	TYPE K TEMPORARY CONCRETE BARRIER SYSTEM	INDEX 102-110	SHEET 15 of 17
------------------------------	----------	--------------	---	---	-------------------------	--------------------------



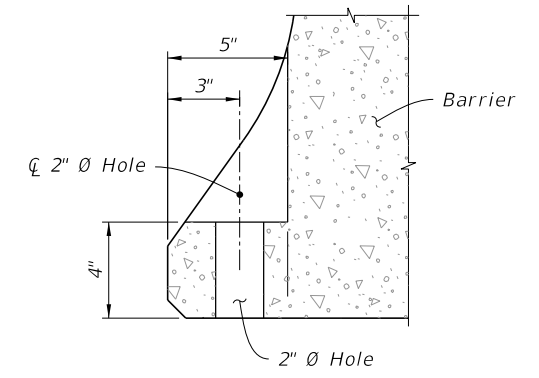
PLAN VIEW



PLAN VIEW

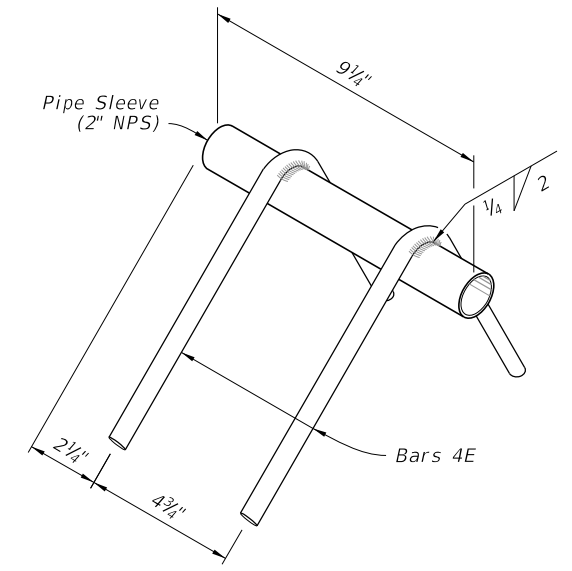


ELEVATION VIEW



SECTION D-D
(Reinforcement Not shown)

ANCHOR BLOCKOUT DETAIL



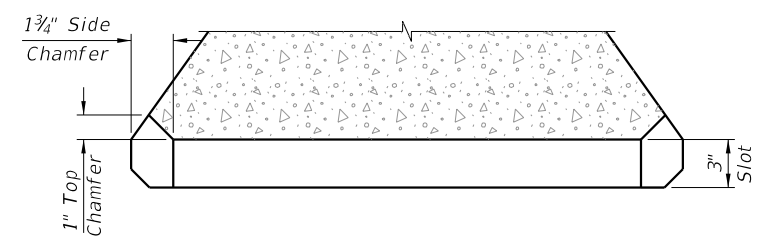
LIFTING SLEEVE ASSEMBLY DETAIL
(OPTIONAL)

NOTE:
Measured for end to barrier unit to outside edge of Bars 6D.

ESTIMATED TEMPORARY CONCRETE BARRIER QUANTITIES		
ITEM	UNIT	QUANTITY
Concrete	CY	1.29
Reinforcing Steel	LB	218

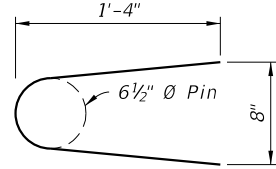
The above quantities are for one Barrier Unit.

Cross References:
For Section A-A, Section B-B and Section C-C see Sheet 17.

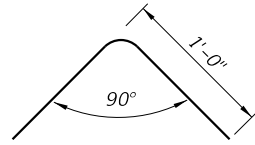


SECTION THRU LIFT/DRAIN SLOT

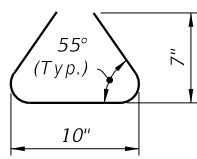
9/23/2021 2:45:56 PM



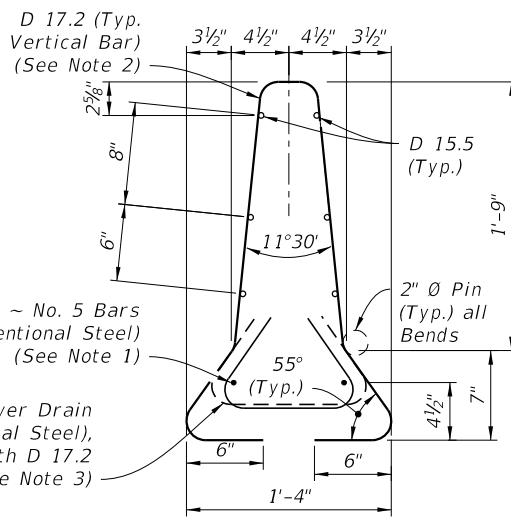
BAR 6C



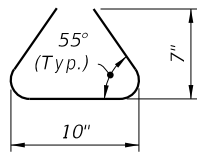
BAR 4E



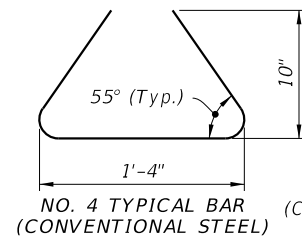
NO. 4 DRAIN BAR OVER DRAIN SLOTS (CONVENTIONAL STEEL)



CONFIGURATION ONE



NO. 4 DRAIN BAR OVER DRAIN SLOTS (CONVENTIONAL STEEL)

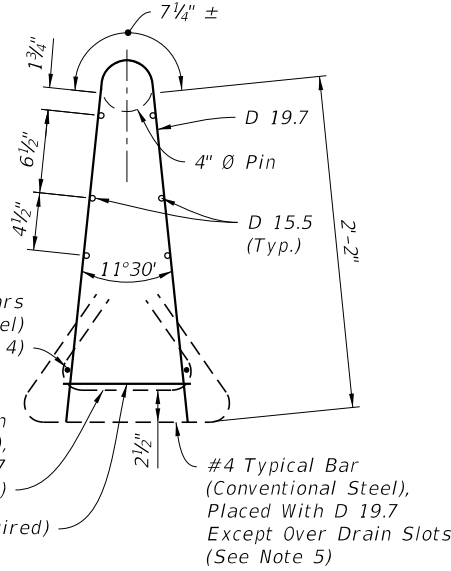


NO. 4 TYPICAL BAR (CONVENTIONAL STEEL)

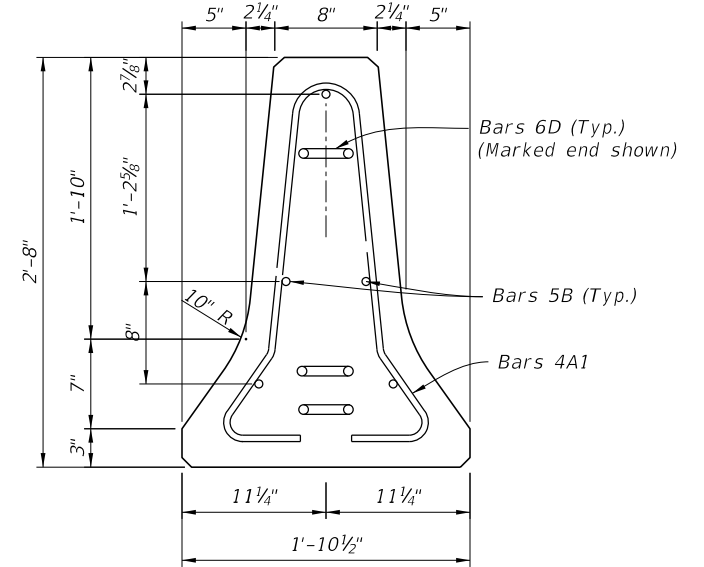
2 ~ No. 5 Bars (Conventional Steel) (See Note 4)

No. 4 Drain Bar over drain slots (Conventional Steel), placed with D 19.7 (See Note 6)

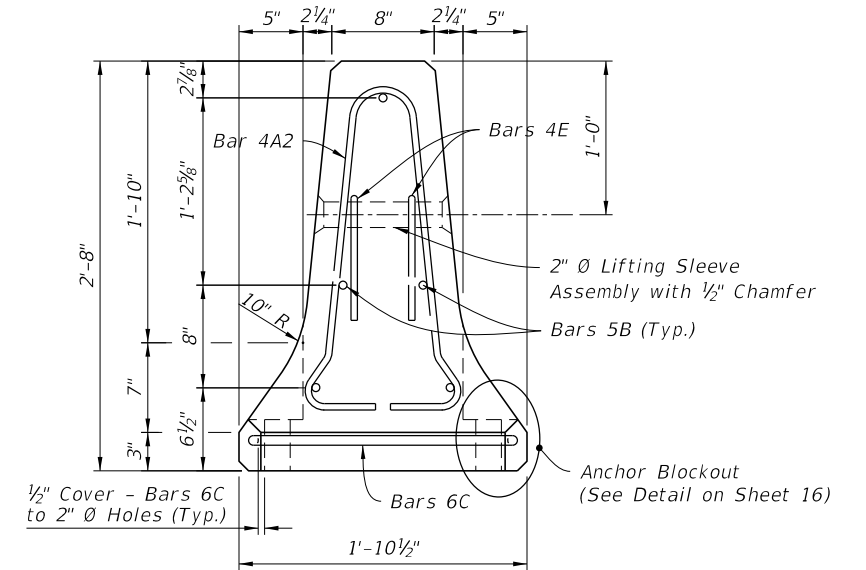
D 6.3 (2 required)



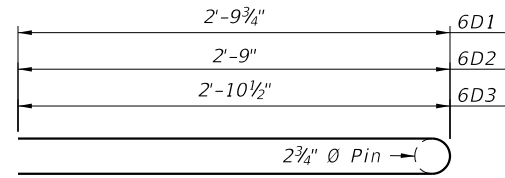
CONFIGURATION TWO



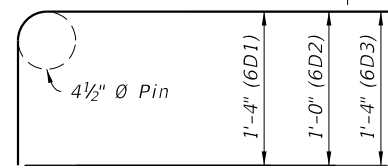
SECTION A-A (SHOWN) (SECTION B-B SIMILAR)



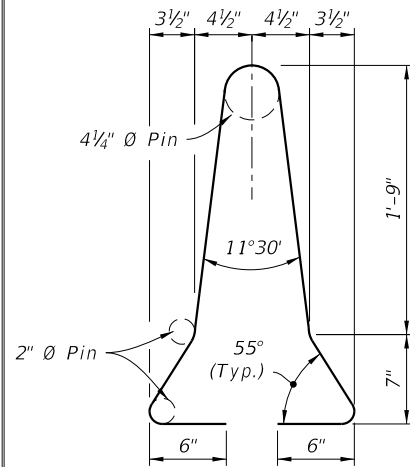
SECTION C-C (Bars 6D not shown for clarity)



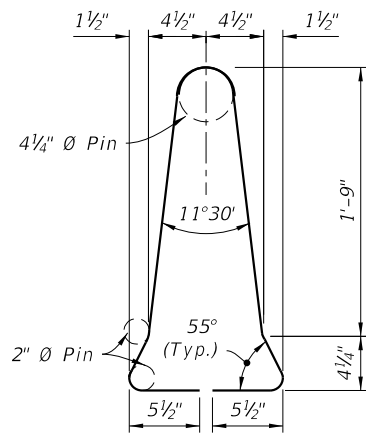
TOP VIEW



SIDE VIEW BARS 6D1, 6D2 & 6D3



STIRRUP BAR 4A1



STIRRUP BAR 4A2

BILL OF REINFORCING STEEL

MARK	SIZE	NUMBER	LENGTH
A1	4	10	6'-1"
A2	4	2	5'-5"
B	5	5	12'-3" (Straight)
C	6	6	3'-1"
D1	6	2	8'-4"
D2	6	2	7'-6"
D3	6	2	8'-6"
E	4	4	2'-0"

NOTES:

- Place 2 ~ No. 5 Bars (12'-3" long) in bottom of Welded Wire Reinforcement cage as shown.
- Match D17.2 spacing to Bars 4A in the Elevation View, Sheet 15.
- Field trim D17.2 to clear drain slot by 2".
- Place 2 ~ No. 5 Bars (12'-3" long) tied to D 19.7 inside of bottom Welded Wire Reinforcement cage as shown.
- Match D19.7 spacing to Bars 4A in the Elevation View, Sheet 15.
- Field trim D19.7 to clear drain slot by 2".

NOTES:

- Provide 3/4" Chamfer at top and bottom corners of Barrier.
- Provide a minimum of 2" cover on the top and bottom.
- Provide a minimum of 1 3/4" cover on both sides.

CONVENTIONAL REINFORCING STEEL BENDING DIAGRAMS

ALTERNATE REINFORCING STEEL DETAIL WELDED WIRE REINFORCEMENT

CROSS SECTION

9/23/2021 2:45:56 PM

LAST REVISION	DESCRIPTION:
11/01/17	



FY 2022-23
STANDARD PLANS

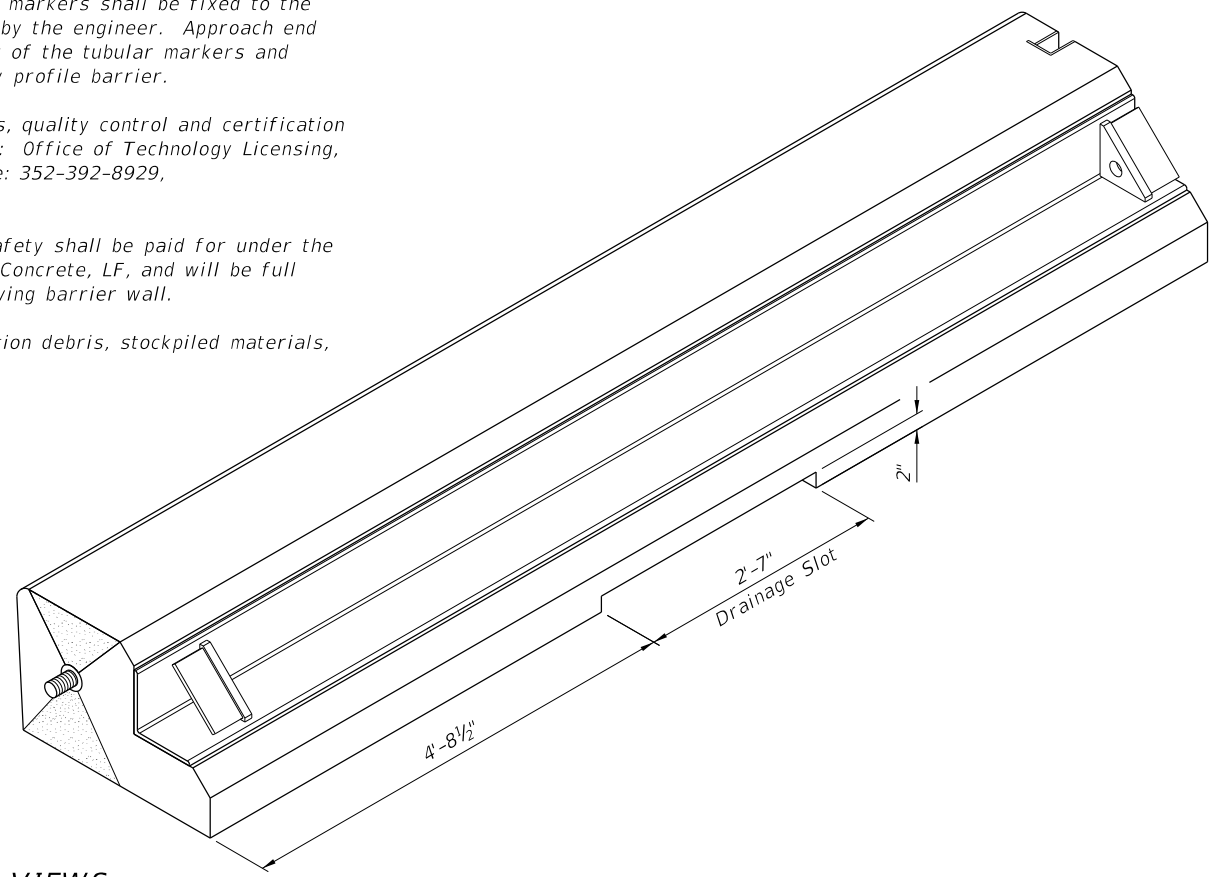
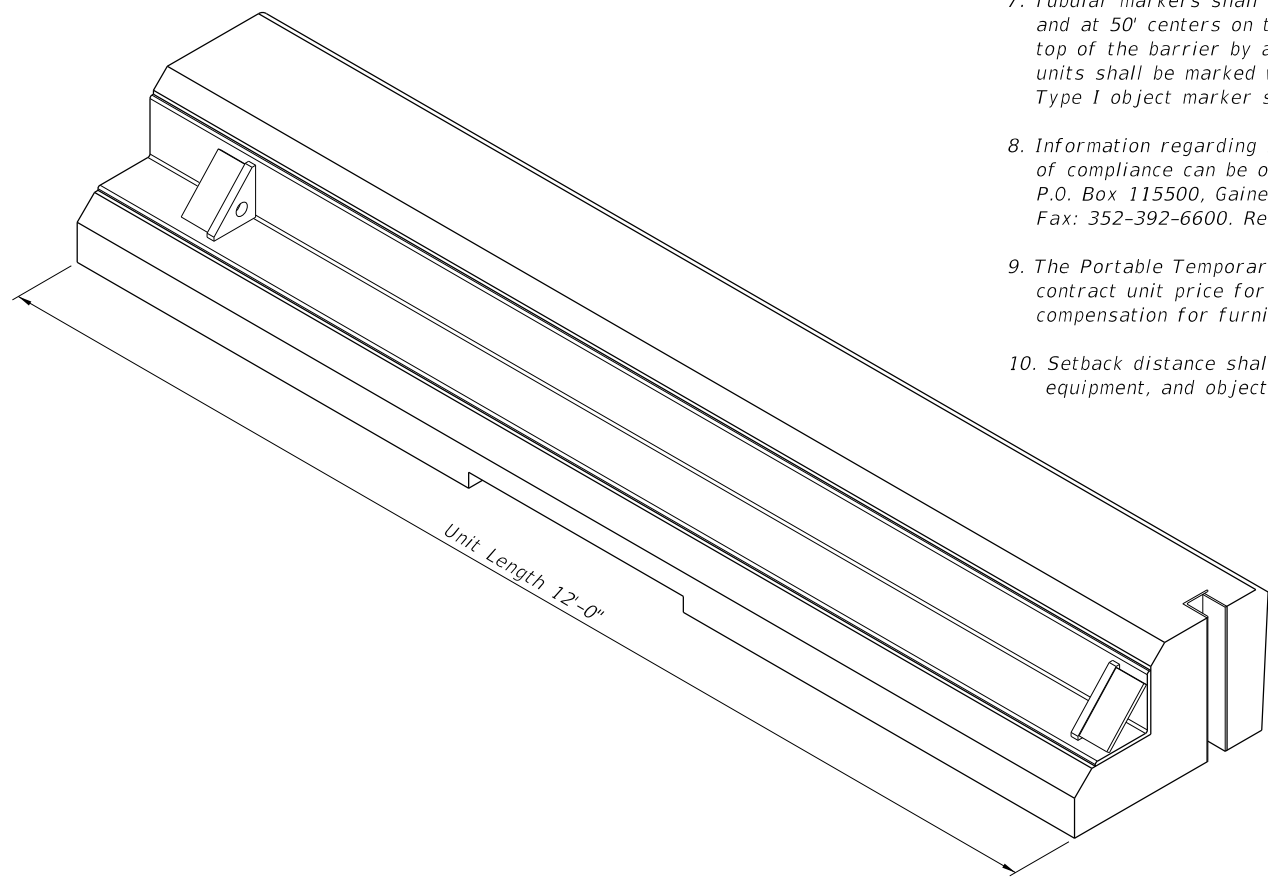
TYPE K TEMPORARY CONCRETE BARRIER SYSTEM

INDEX
102-110

SHEET
17 of 17

GENERAL NOTES:

1. Pursuant to 35 United States Code, Chapter 18, also known as the Bayh Dole Act of 1980, the non mountable curb was developed through federal funding. The 'Portable Temporary Low Profile Barrier For Roadside Safety' is a licensed design by the University Of Florida. Any infringement on the rights of the designer shall be the sole responsibility of the user.
2. This Index is provided by the Florida Department Of Transportation solely for use by the Department and its assignees. The purpose for this Index is to indicate the approval of use of the barrier on the State Highway System; to provide sufficient pictorials for identifying the barrier unit; and, to provide general installation geometry for the barrier.
3. This legally mandated relationship is unique to federally funded University patents that Department contractors use on Contracts. Pursuant to federal law, the University may pursue royalties for a valid patent. Only those barrier units cast by producers licensed by the University Of Florida will be allowed for installation on the State Highway System in Florida. Barrier wall units shall conform to Specification 521 and shall be produced in Department-approved plants with quality control plans for precasting concrete barrier walls. Each barrier wall unit shall be permanently marked with an identification that is traceable to the manufacturer, the producing precast concrete plant and the date of production. This permanent identification mark will serve as certification that the unit has been manufactured in accordance with University of Florida drawings and specifications, and the approved quality control program.
4. The low profile barrier is to be installed only with hardware and accessories furnished by the licensed barrier producer. Units shall be used for no purpose other than as interconnected segments in a run of barrier. Low profile barrier wall units shall maintain firm contact with adjoining units. Nuts on tensioning rods shall be installed snug tight.
5. The low profile barrier is applicable for work zone speeds of 45 mph or less.
6. If the plans specify Low Profile Barrier then substitution with other barrier types is not permitted.
7. Tubular markers shall be orange in color and installed along the run of barrier at the ends and at 50' centers on tangents and 25' centers on radii. The markers shall be fixed to the top of the barrier by an adhesive or other method approved by the engineer. Approach end units shall be marked with a Type I object marker. The cost of the tubular markers and Type I object marker shall be included in the cost of the low profile barrier.
8. Information regarding licensing, shop drawings, specifications, quality control and certification of compliance can be obtained from the University Of Florida: Office of Technology Licensing, P.O. Box 115500, Gainesville, Florida, 32611-5500. Telephone: 352-392-8929, Fax: 352-392-6600. Reference UF#11052.
9. The Portable Temporary Low Profile Barrier For Roadside Safety shall be paid for under the contract unit price for Barrier Wall (Temporary) Low Profile Concrete, LF, and will be full compensation for furnishing, installing, maintaining and removing barrier wall.
10. Setback distance shall be kept clear of any grass, construction debris, stockpiled materials, equipment, and objects.

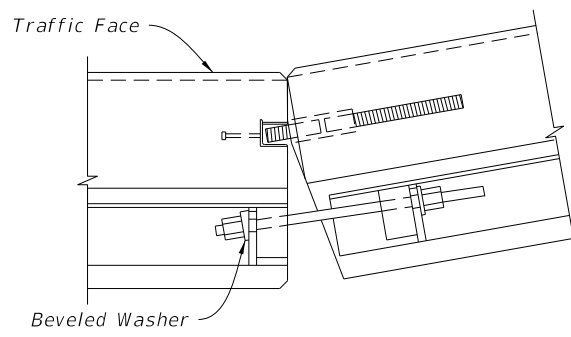


BACKSIDE AND END PICTORIAL VIEWS

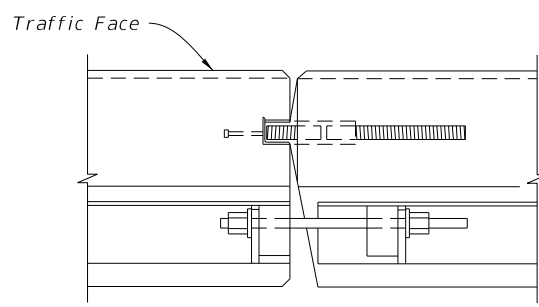
PORTABLE TEMPORARY LOW PROFILE BARRIER FOR ROADSIDE SAFETY

9/23/2021 2:45:58 PM

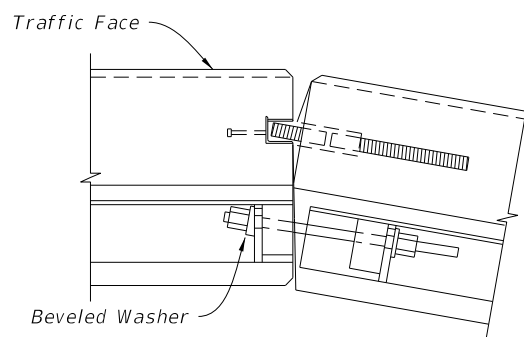
LAST REVISION 11/01/19	REVISION	DESCRIPTION:	 FY 2022-23 STANDARD PLANS	LOW PROFILE BARRIER	INDEX 102-120	SHEET 1 of 5
---------------------------	----------	--------------	--	---------------------	------------------	-----------------



CONCAVE CONNECTION

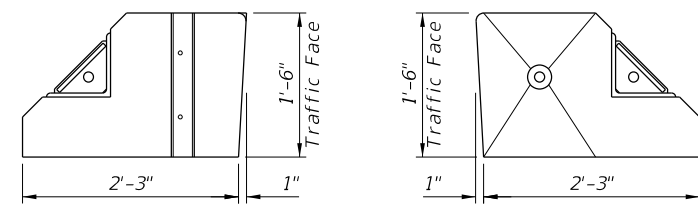


PARALLEL CONNECTION



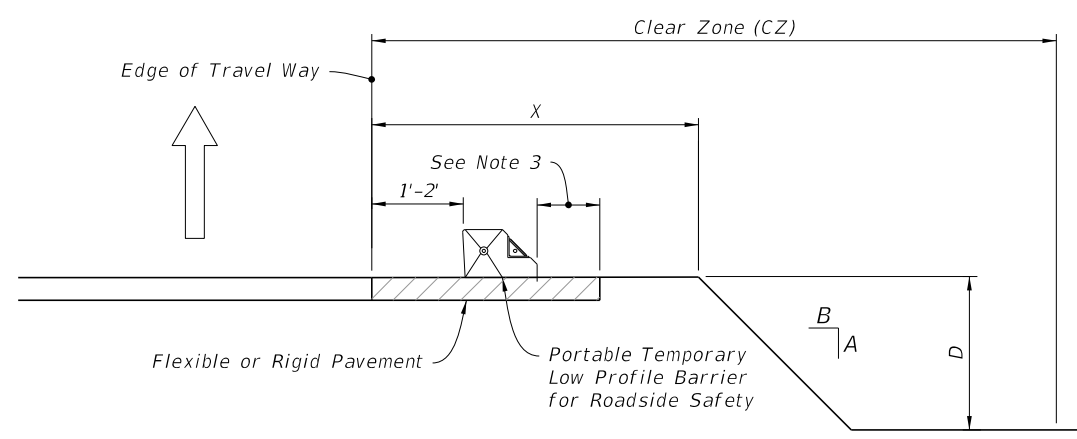
CONVEX CONNECTION

PLAN VIEWS OF CONNECTIONS



FLAT FACE FEMALE END BEVELED FACE MALE END

END VIEWS



SETBACK DISTANCE AT DROP-OFFS

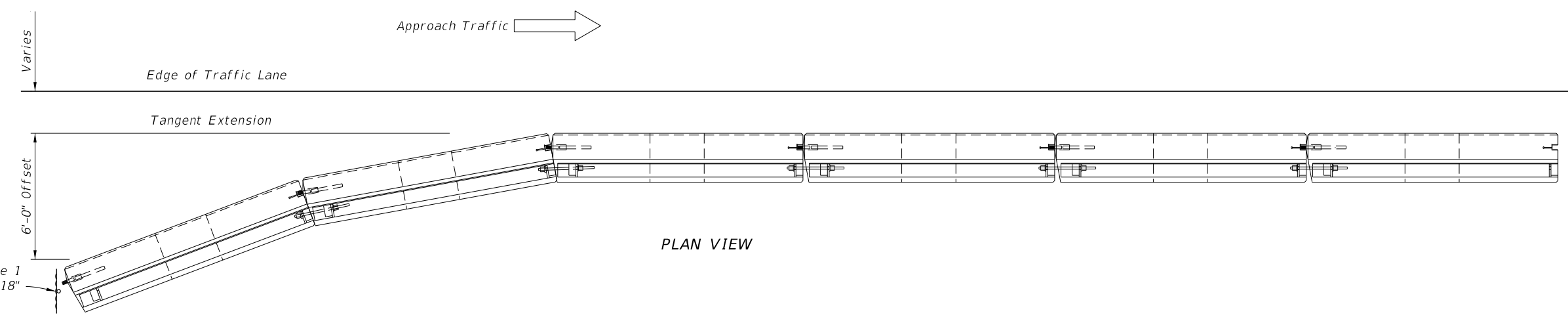
NOTES:

1. **LIMITATION OF USE:** This installation technique can only be used on flexible or rigid pavement.
2. **ASPHALT PAD:** Where existing pavement is not present, construct 2" Asphalt Pad using miscellaneous asphalt pavement in accordance with Specification 339 with the exception that the use of a pre-emergent herbicide is not required. Payment for asphalt pad will be included in the cost of the barrier.
3. Minimum 9" on 1:10 or flatter slopes for 'Portable Temporary Low Profile Barrier For Roadside Safety.' For values A, B, D and X see Index 102-600.

SYMBOLS:

- Type 1 Object Marker
- ⇒ Direction of Traffic

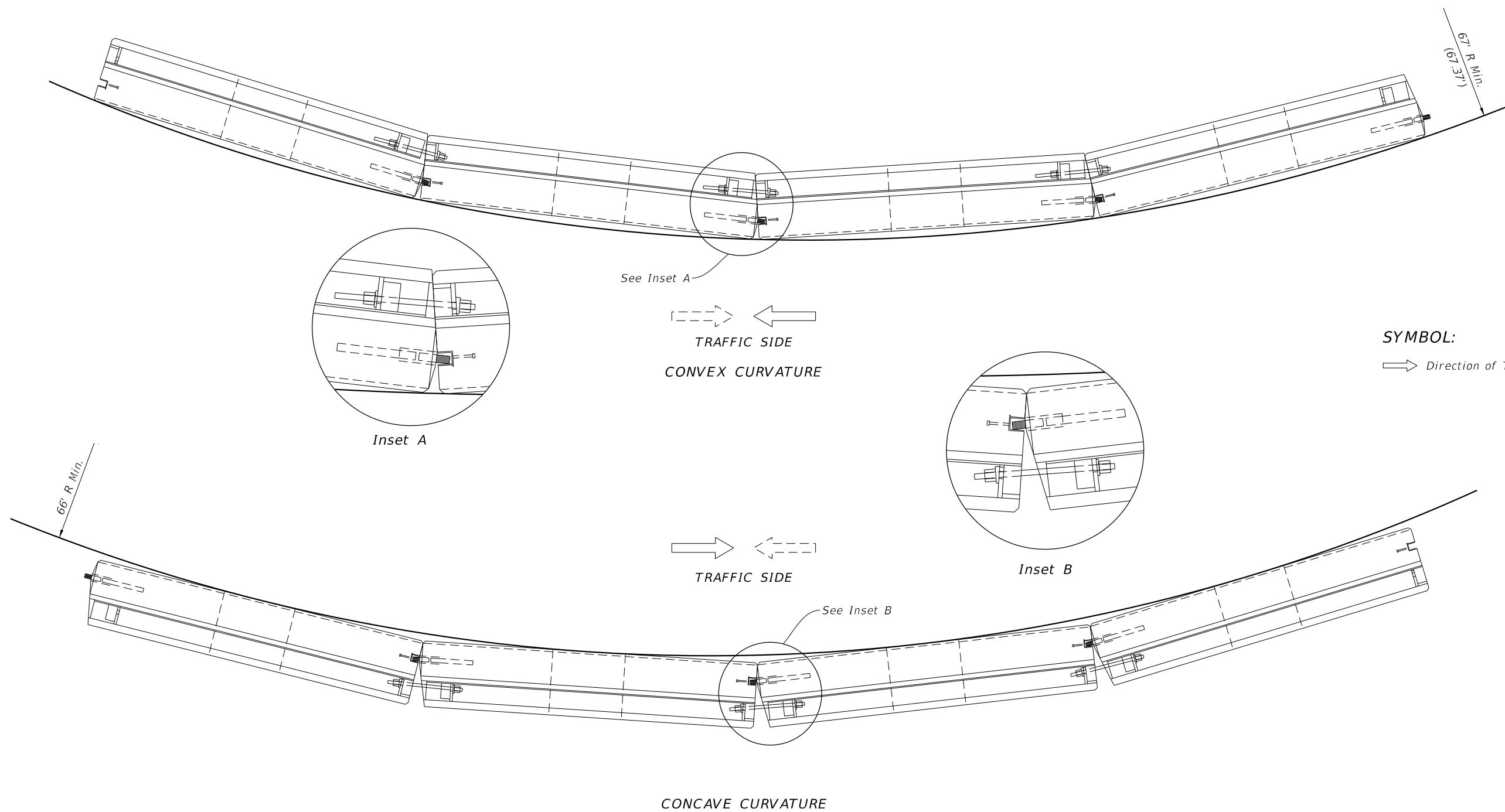
WORK ZONE SPEED	LATERAL OFFSET	SETBACK DISTANCE
45 MPH OR LESS	1' MIN, 2' PREFERRED	9"



PLAN VIEW

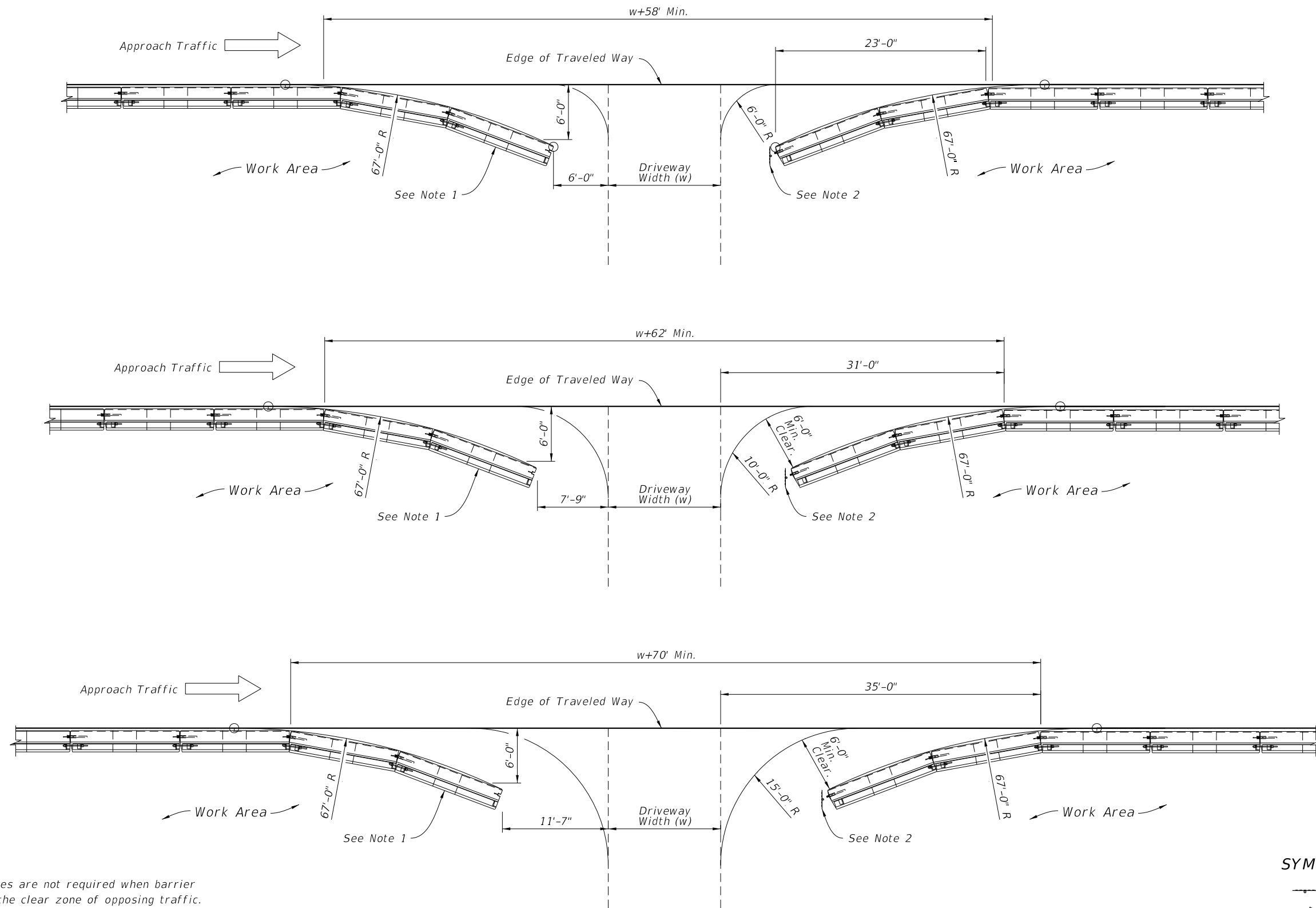
APPROACH END OFFSET

9/23/2021 2:45:59 PM



9/23/2021 2:45:59 PM

LAST REVISION 11/01/19	REVISION DESCRIPTION:	 FY 2022-23 STANDARD PLANS	LOW PROFILE BARRIER	INDEX 102-120	SHEET 3 of 5
---------------------------	-----------------------	---	---------------------	------------------	-----------------



BARRIER OPENINGS AT DRIVEWAYS

9/23/2021 2:46:00 PM

LAST REVISION 11/01/19	DESCRIPTION:	 FY 2022-23 STANDARD PLANS	LOW PROFILE BARRIER	INDEX 102-120	SHEET 4 of 5
---------------------------	--------------	--	---------------------	------------------	-----------------