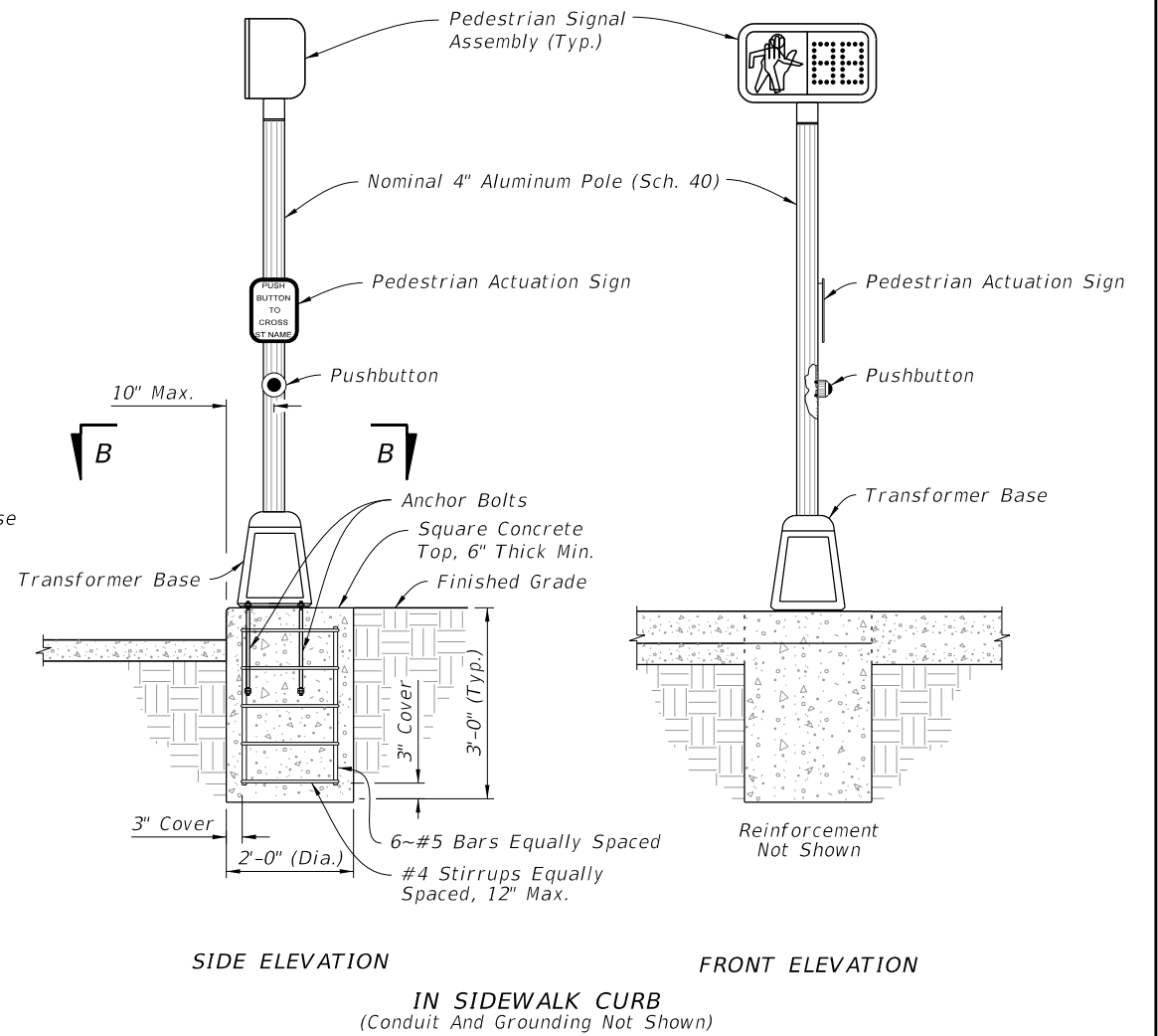
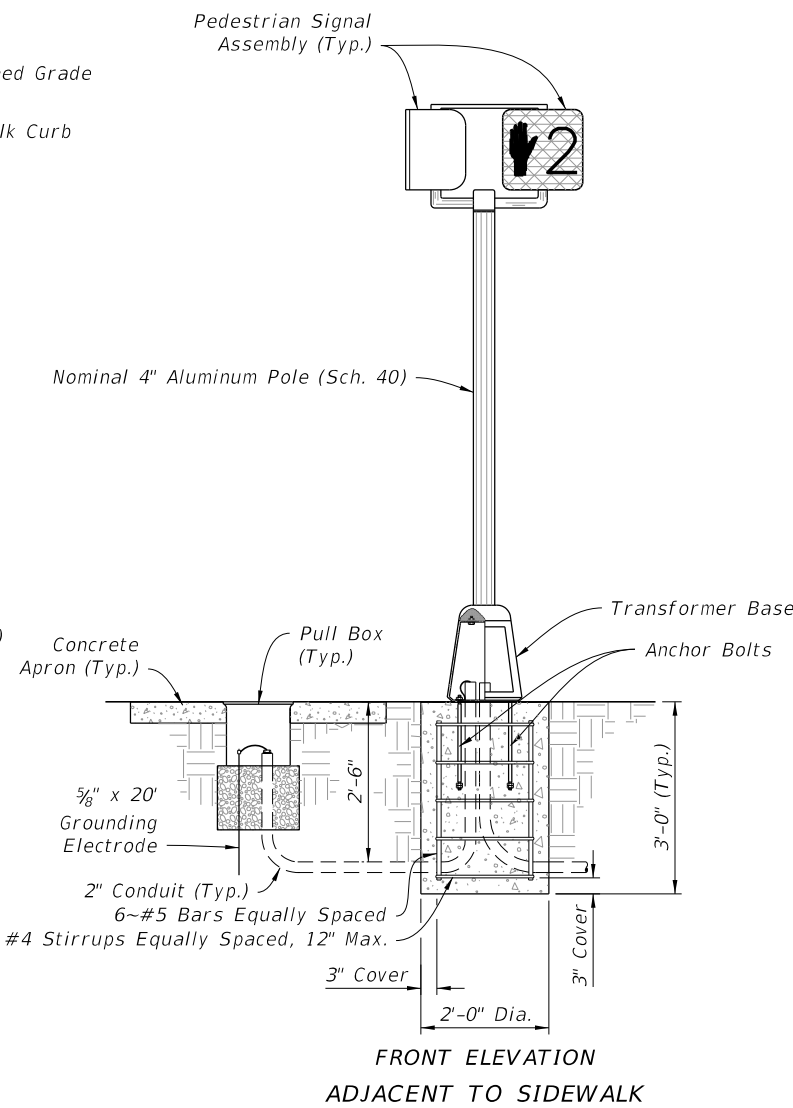
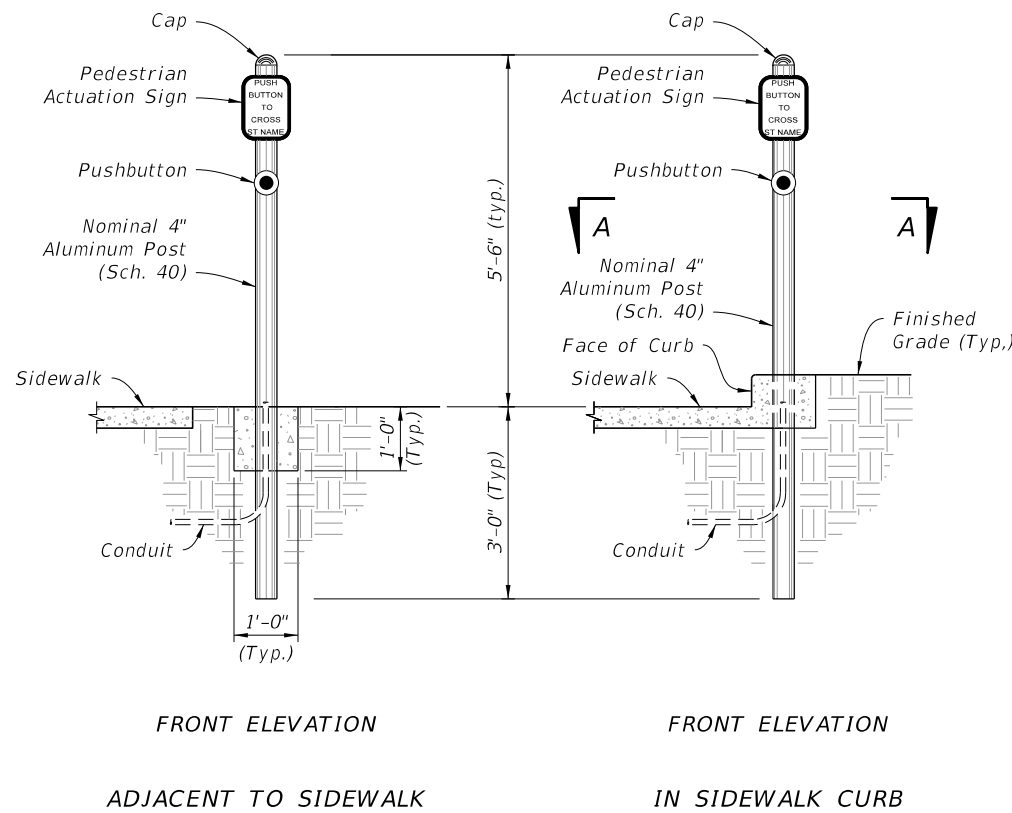
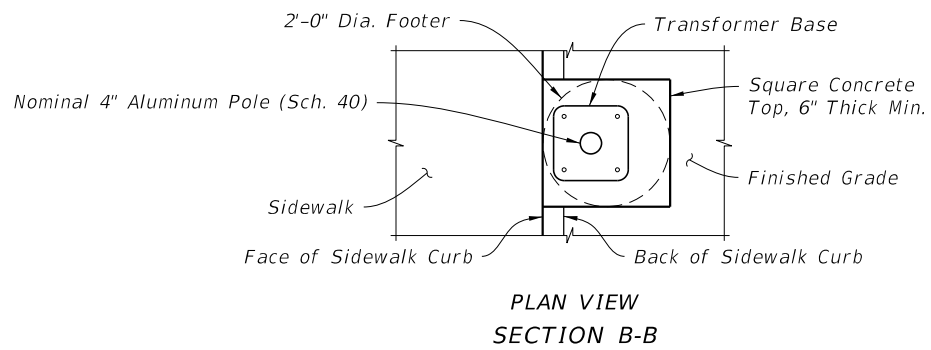
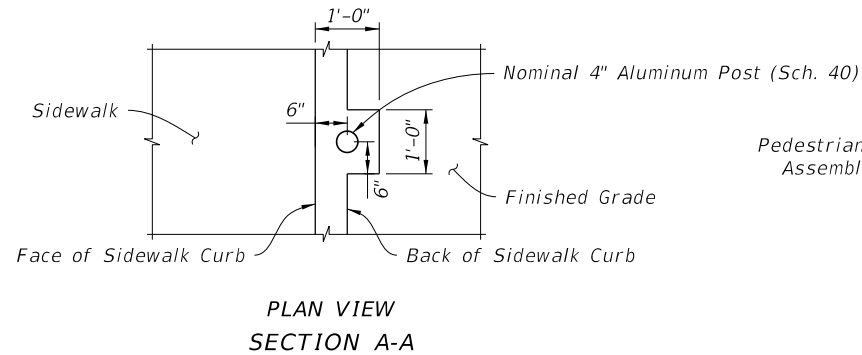


NOTES:

1. Work this Index with Specification 646.
2. For Pedestrian Signals see Index 653-001.
3. For Pedestrian Detector Assembly (i.e., Pushbutton and Sign) details see Index 665-001.
4. Footing may be Cast-In-Place (C-I-P) or Precast.
5. As an alternative to the direct buried "Post Mounted" Pedestrian Detector Assembly shown below, the post may be installed on a transformer base. Use a transformer base included on the APL approved as an alternative to a "Post Mounted" assembly,



POST MOUNTED

PEDESTAL MOUNTED

10/22/2021 9:59:44 AM

| | | | | | | |
|---------------------------|--------------|---|------------------------------|--|------------------|-----------------|
| LAST REVISION 11/01/21 | DESCRIPTION: |  | FY 2022-23 STANDARD PLANS | ALUMINUM POST AND PEDESTAL MOUNTED PEDESTRIAN DETECTORS AND SIGNALS | INDEX 646-001 | SHEET 1 of 1 |
|---------------------------|--------------|---|------------------------------|--|------------------|-----------------|