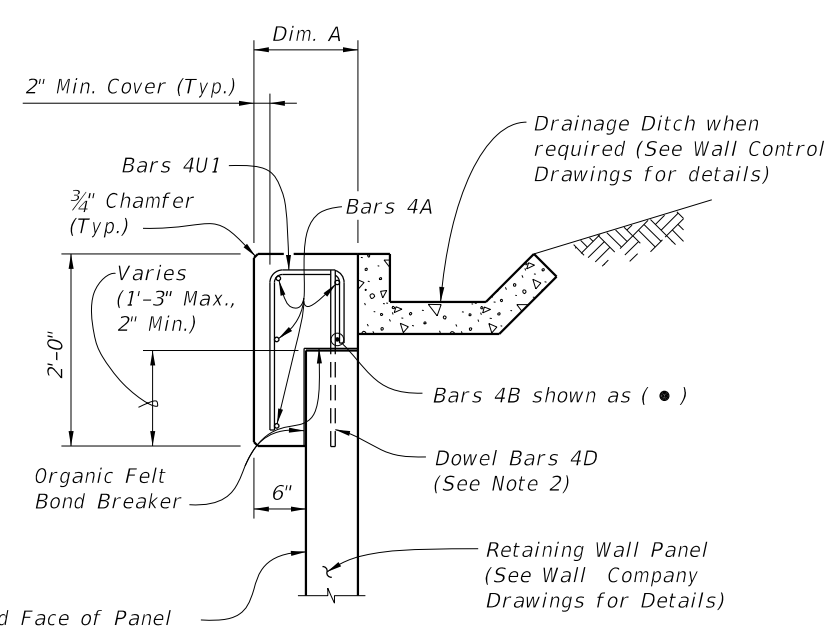


C-I-P COPING - PARTIAL ELEVATION VIEW

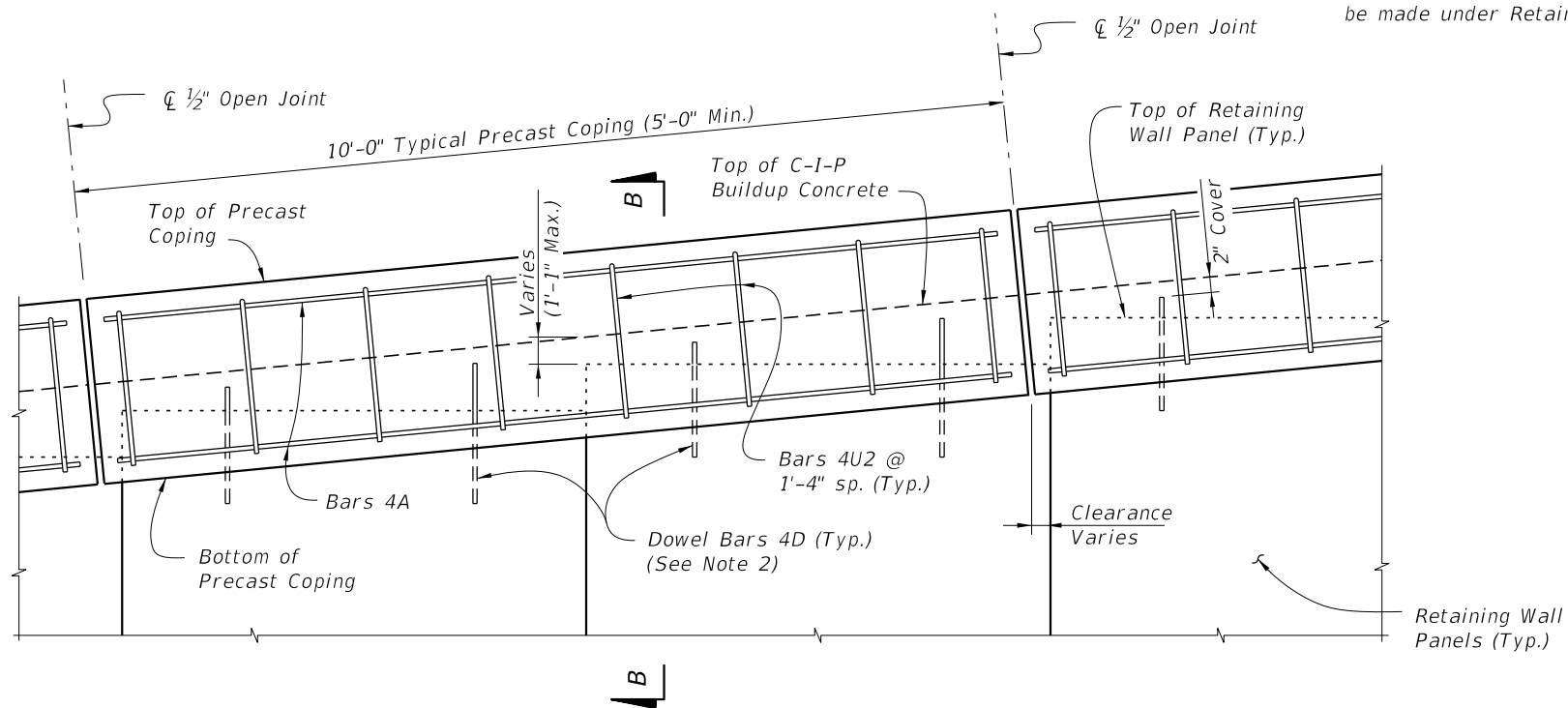


SECTION A-A
C-I-P COPING

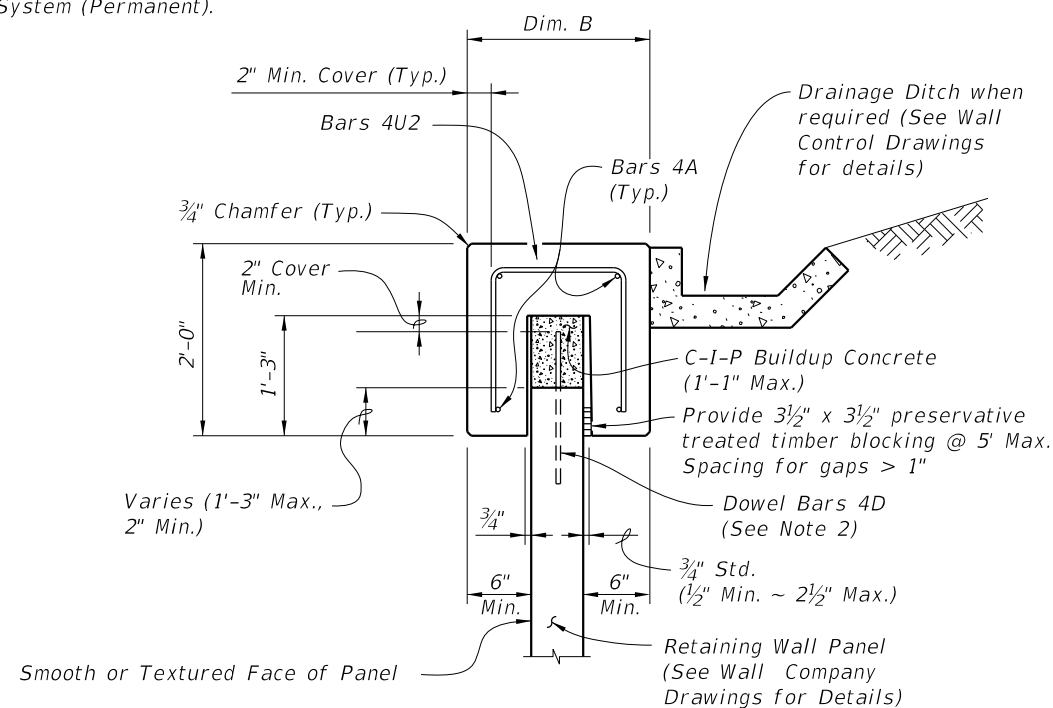
Dim. A	Panel width + 6"
Dim. B	Panel width + 1'-0" Min.

PRECAST AND C-I-P COPING NOTES:

1. Provide Class II concrete for slightly aggressive environments or Class IV for moderately or extremely aggressive environments.
2. Dowel Bars 4D extend 11" above the top of retaining wall panel. Field cut as necessary to maintain 2" minimum cover. See Wall Company Drawings for number and spacing of Dowel Bars 4D.
3. Payment for Dowel Bars 4D, Buildup Concrete and Coping will be made under Retaining Wall System (Permanent).



PRECAST COPING - PARTIAL ELEVATION VIEW



SECTION B-B
PRECAST COPING

9/22/2021 8:25:27 AM

LAST REVISION 11/01/19	DESCRIPTION:
---------------------------	--------------

REINFORCING STEEL BENDING DIAGRAMS - PRECAST AND C-I-P COPINGS

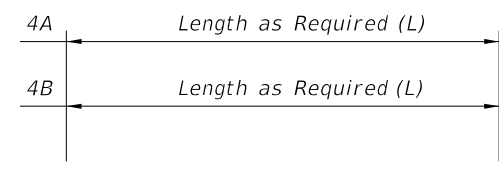
BILL OF REINFORCING STEEL

MARK	SIZE	LENGTH (L) ## S or M	LENGTH (L) ## E
A	4	AS REQD.	AS REQD.
B	4	AS REQD.	AS REQD.
D	4	2'-0"	2'-0"
U1	4	Panel width + 4"	Panel width + 4"
U2	4	Dim. B - 4"	Dim. B - 4"
U3	4	Dim. C - 4"	Dim. C - 6"

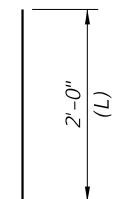
REINFORCING STEEL NOTES:

- All bar dimensions in the bending diagrams are out to out.
- All reinforcing steel at the open joints will have a 2" minimum cover.
- Bars 4A may be continuous or spliced at the construction joints. Lap splices for Bars 4A will be a minimum of 1'-8".
- The Contractor may use Welded Wire Reinforcement (WWR) when approved by the Engineer. WWR must consist of Deformed wire meeting the requirements of Specification Section 931.

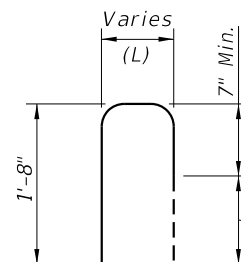
S = Slightly Aggressive
 M = Moderately Aggressive
 E = Extremely Aggressive



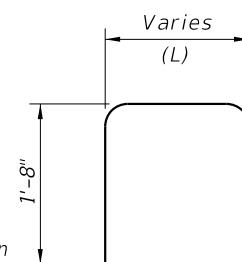
BARS 4A & 4B



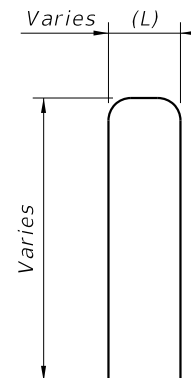
DOWEL BAR 4D



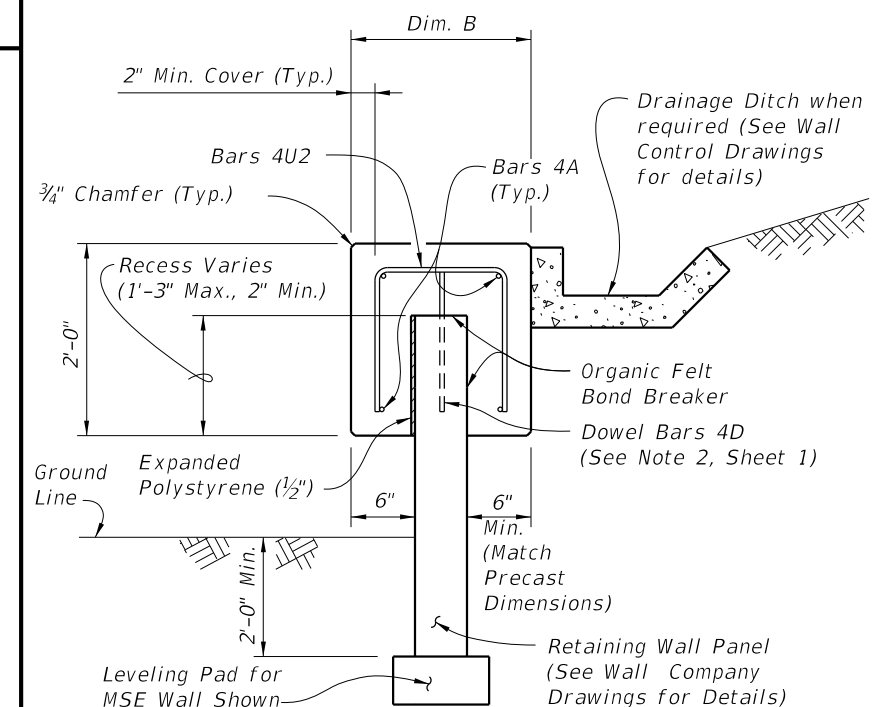
BAR 4U1



BAR 4U2

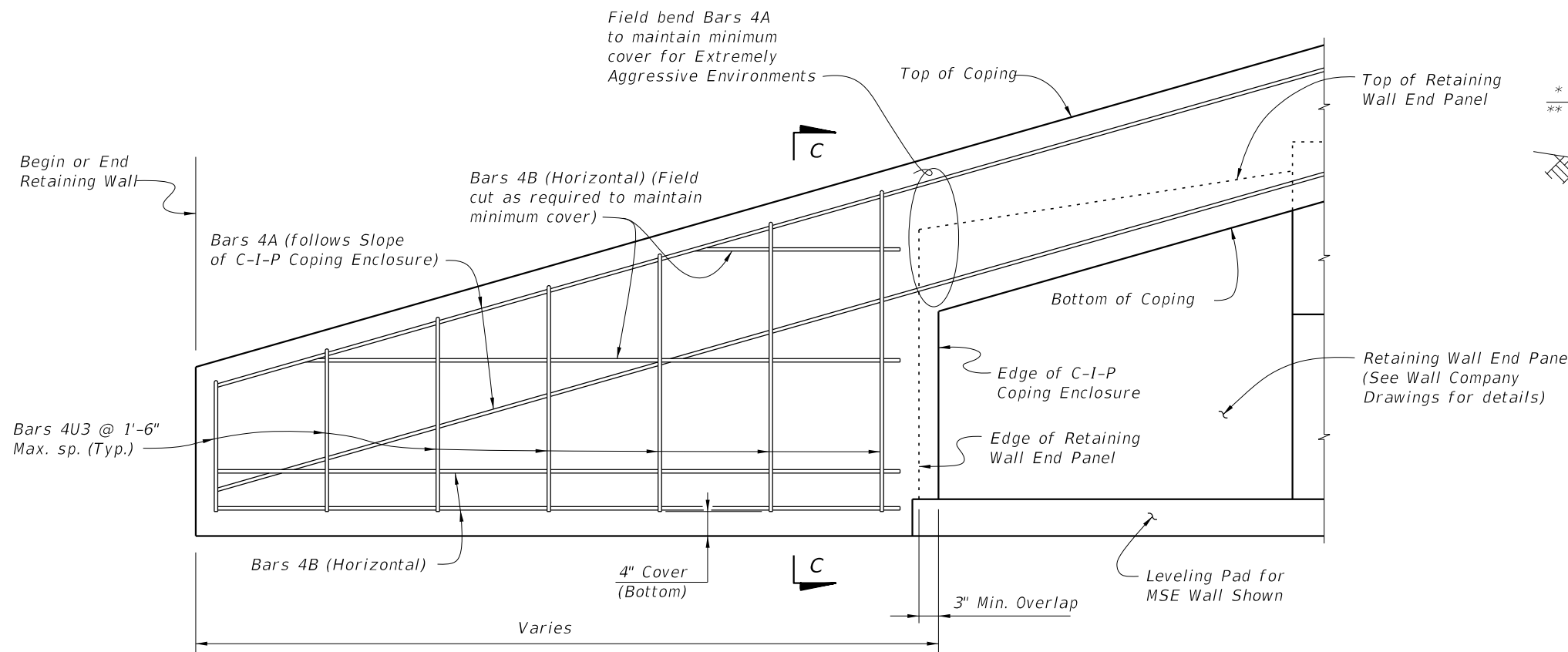


BAR 4U3

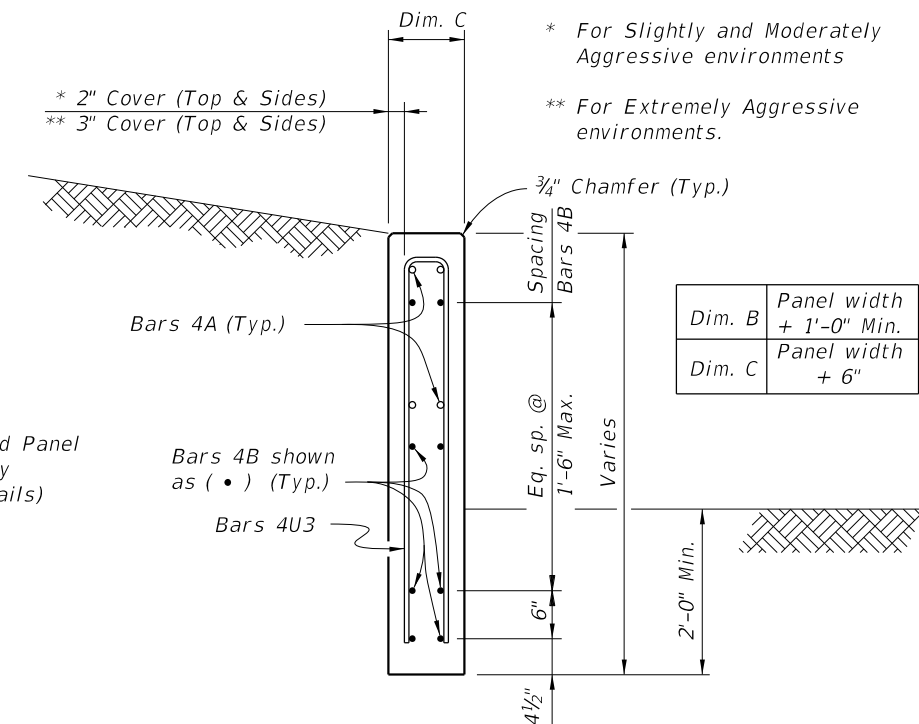


C-I-P COPING USED WITH PRECAST COPING

Note: When precast coping units do not fit the entire length of the retaining wall, use this similar C-I-P coping for short portions between precast coping units. This C-I-P coping may also be used for vertical copings.



C-I-P COPING ENCLOSURE DETAIL



SECTION C-C

9/22/2021 8:25:30 AM

LAST REVISION	DESCRIPTION:
11/01/19	

FY 2022-23
STANDARD PLANS

MSE WALL COPING (PRECAST OR C-I-P)

INDEX	SHEET
521-600	2 of 2