

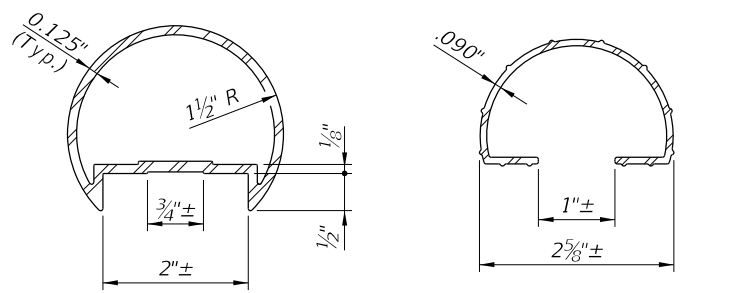
3D VIEW OF RAILING WITH TYPE 1 - PICKET INFILL PANEL  
(42" Height shown, 48" Height Similar)

TABLE 1 - RAILING MEMBERS

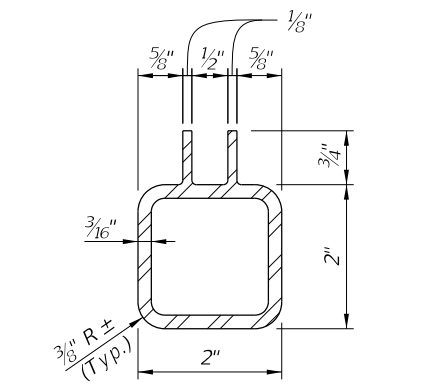
MEMBER	ALLOY <sup>(1)</sup>	DESIGNATION	OUTSIDE DIMENSION	WALL THICKNESS
Posts (Type "A" & "B")	6061-T6	RT 2x2x0.250	2.00" x 2.00"	0.250"
Posts (Type "C")	6061-T6	Extrusion 1½x2½x0.125	1.50" x 2.50"	0.125"
Top Plate (Type "C")	6061-T6	Extrusion (See Details)	2¾" x 7"	Varies
Top Rail	6061-T6	2½" NPS (Sch. 10) 3" Round Top Cap Rail	2.875" 3.000"	0.120" 0.125"
End Hoops	6063-T5	2½" NPS (Sch. 10) 3.00 OD x 0.125 Wall	2.875" 3.000"	0.120" 0.125"
Top Rail Joint/Splice Sleeves	6063-T5	2.50 OD x 0.125 Wall Top Cap Rail Inner Sleeve	2.500" 2.800"	0.125" 0.090"
Intermediate & Bottom Rail	6061-T6	RT 2x2x0.250	2.00" x 2.00"	0.250" <sup>(2)</sup>
Int. & Bottom Rail Post Connection Sleeve	6063-T5	1.50 OD x 0.125 Wall <sup>(3)</sup>	1.500"	0.125"
Handrail Joint/Splice Sleeves	6063-T5	1" NPS (Sch. 40) 1.50 OD x 0.125 Wall	1.315" 1.500"	0.133" 0.125"
Handrails	6061-T6	1½" NPS (Sch. 40)	1.900"	0.145"
Handrail Support Bar	6061-T6	¾" Ø Round Bar	0.750"	N/A
Pickets (Type 1 Infill Panel)	6061-T6	¾" Ø Round Bar	0.750"	N/A
Infill Panel Members (Types 2 - 5)	6063-T5	Varies (See Details)	Varies	Varies

TABLE 1 NOTES:

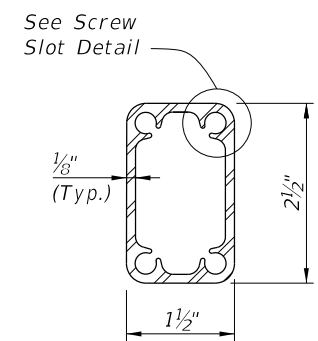
- (1) Alloy 6061-T6 or 6063-T52 & T6 may be substituted for Alloy 6063-T5.
- (2) 0.188" wall thickness permitted for rails with post spacings less than 5'-9".
- (3) 1" NPS (Sch. 40) non-slit rail sleeves may be substituted when welded connection Detail "K" is utilized.



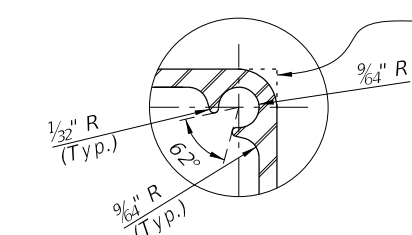
3" ROUND TOP CAP RAIL TOP CAP RAIL INNER SPlice SLEEVE  
ALTERNATE TOP RAIL SECTION



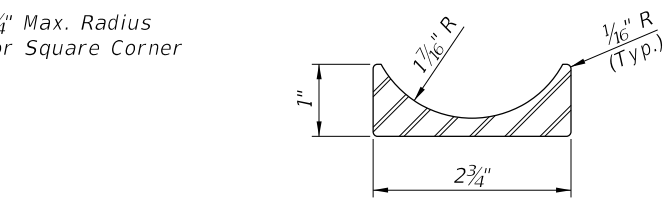
ALTERNATIVE BOTTOM & INTERMEDIATE RAIL SECTION FOR TYPE 3, 4 & 5 RAILINGS



POST TYPE "C" SCREW SLOT SECTION



SCREW SLOT DETAIL



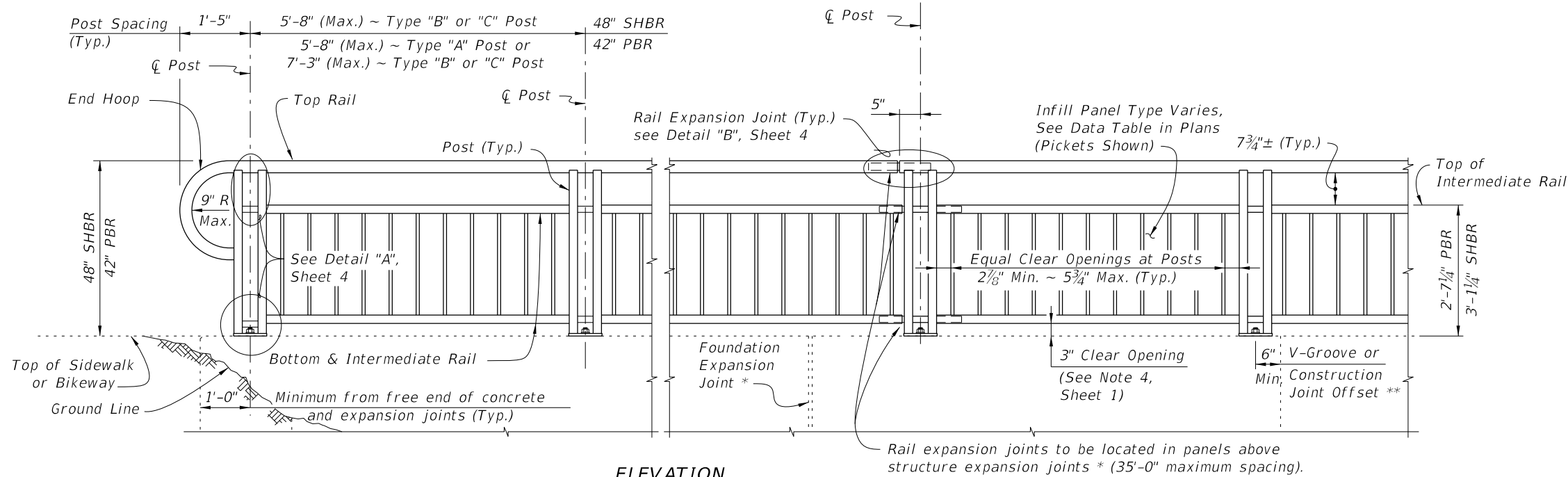
OPTIONAL TOP PLATE EXTRUSION SECTION (POST TYPE "C")

- NOTES**
1. Shop Drawings are required, see Specification Section 515.
  2. For bridge mounted railings, work this Index with Index 515-061 Bridge Bicycle/Pedestrian Railing (Aluminum)
  3. Materials:
    - A. Structural Extrusions, Tube, Pipe and Bars: Table 1 and ASTM B221 or ASTM B429
      - a. Top, bottom and intermediate rail corner bends with maximum 4'-0" post spacing may be Alloy 6063-T6
    - B. Base Plates and Rail Caps: ASTM B209 Alloy 6061-T6
    - C. Perforated panels (Type 5) Alloy 3003-H14
    - D. Stainless steel (SS) screws: Type 316 or 18-8 Alloy
    - E. Aluminum screws: Alloy 2024-T4 or 7075-T73
    - F. Galvanized Steel Fasteners: coated in accordance with Specification Section 962.
      - a. Hex Head Bolts: ASTM A 307
        - 1. 7/8" diameter single bolt option, Grade 36
        - 2. 7/16" diameter four bolt option, Grade 55
      - b. Adhesive Anchors: ASTM F1554 fully threaded rods, Grade 55
      - c. Hex Nuts: ASTM A563
      - d. Flat Washers: ASTM F436
      - e. Plate Washers: ASTM A36 or ASTM A706 Grade 36.
    - G. Shims: ASTM B209 Alloy 6061 or 6063
    - H. Bearing Pads: Provide 1/8" thick Plain, Fabric Reinforced or Fabric Laminated Bearing Pads meeting the requirements of Specification Section 932 for Ancillary Structures.
  4. Fabricate pickets and vertical panel elements parallel to the posts; except Type 2, 3 and 5 panel infills may be fabricated parallel to the longitudinal grade. Maintain a maximum clear opening of 5/8" for standard installations and 3/8" when a 4" sphere requirement is indicated in the Data Tables.
  5. Locate railing expansion joints between the posts on either side of the deck expansion joint. Maximum spacing between expansion joints is 35'-0".
  6. Field splices are similar to the Expansion Joint Detail and may be approved by the Engineer to facilitate handling; but the top rail must be continuous across a minimum of two posts.
  7. For intermediate and bottom horizontal rails, the screwed joints shown may be substituted with alternate joints shown in detail "K" for Post Type "A" & "B".
  8. Make corners and changes in tangential longitudinal alignment with a 9" bend radius or terminate adjoining sections with mitered end sections when handrails are not required.
  9. For changes in tangential longitudinal alignment greater than 45°, position posts a maximum of 2'-0" each side of the corner but not at the corner apex.
  10. For curved longitudinal alignments, shop bend the top and bottom rails and handrails to match the alignment radius.
  11. Handrails are required and must be continuous at landings for:
    - A. Grades Steeper than 5%
    - B. Three or more steps
  12. Installation: Cutting of reinforcing steel is permitted for post installed anchors.

CROSS REFERENCES:

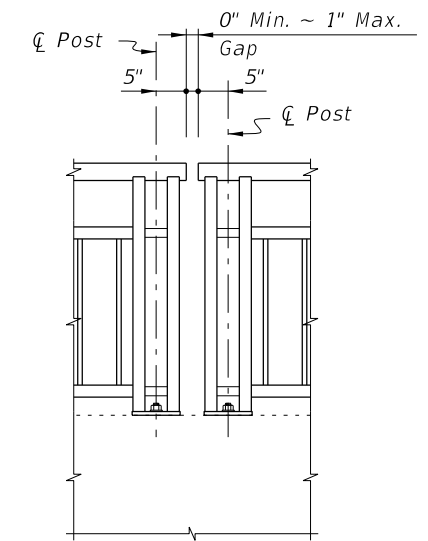
- Detail "A", Sheet 4
- Detail "B", Sheet 4
- Detail "K", Sheet 3

9/21/2021 2:27:57 PM



**ELEVATION**  
(Showing Outside Face of Railing with Type "A" Posts)

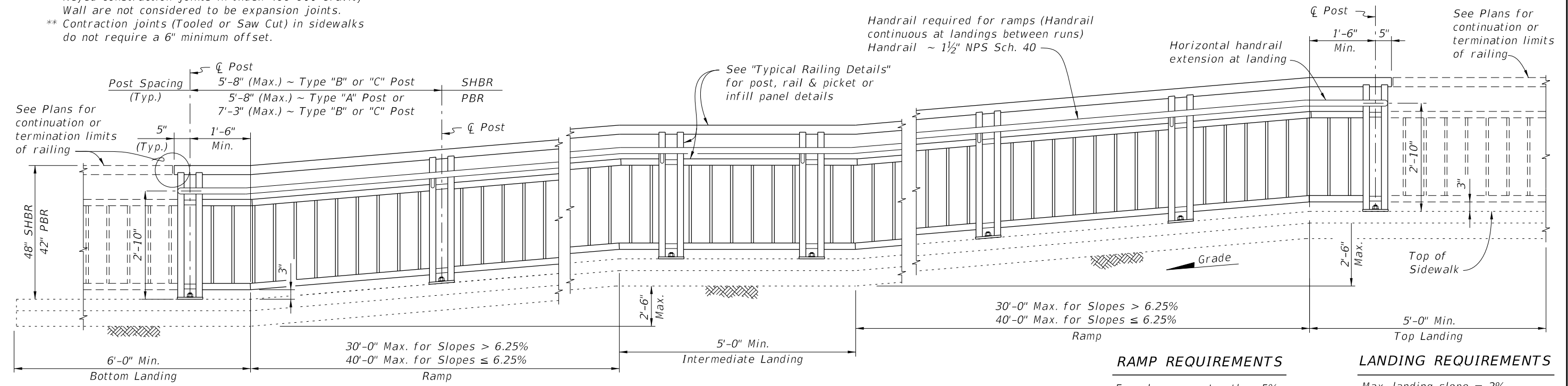
**TYPICAL RAILING DETAILS & RAILINGS ON GRADES 0% TO 5%**  
(Type 1 - Picket Railing Shown, Other Types Similar)



Note: Non-continuous corners are permitted when handrails are not required.

**EXPANDED ELEVATION AT CORNERS**  
**DETAIL FOR NON-CONTINUOUS RAILING AT CORNERS**

- NOTES:**
- \* Keyed construction joints in Index 400-011 Gravity Wall are not considered to be expansion joints.
  - \*\* Contraction joints (Tooled or Saw Cut) in sidewalks do not require a 6" minimum offset.



**ELEVATION**  
(Showing Inside Face of Railing with Type "A" Posts)

**RAILINGS ON GRADES STEEPER THAN 5%**  
(Type 1 - Picket Railing Shown, Other Types Similar)

**RAMP REQUIREMENTS**  
For slopes greater than 5%:  
Max. ramp slope = 8.33%  
Max. ramp cross-slope = 2.0%

**LANDING REQUIREMENTS**  
Max. landing slope = 2%  
Max. landing cross-slope = 2%

9/21/2021 2:27:59 PM

LAST REVISION 07/01/15	DESCRIPTION:
---------------------------	--------------

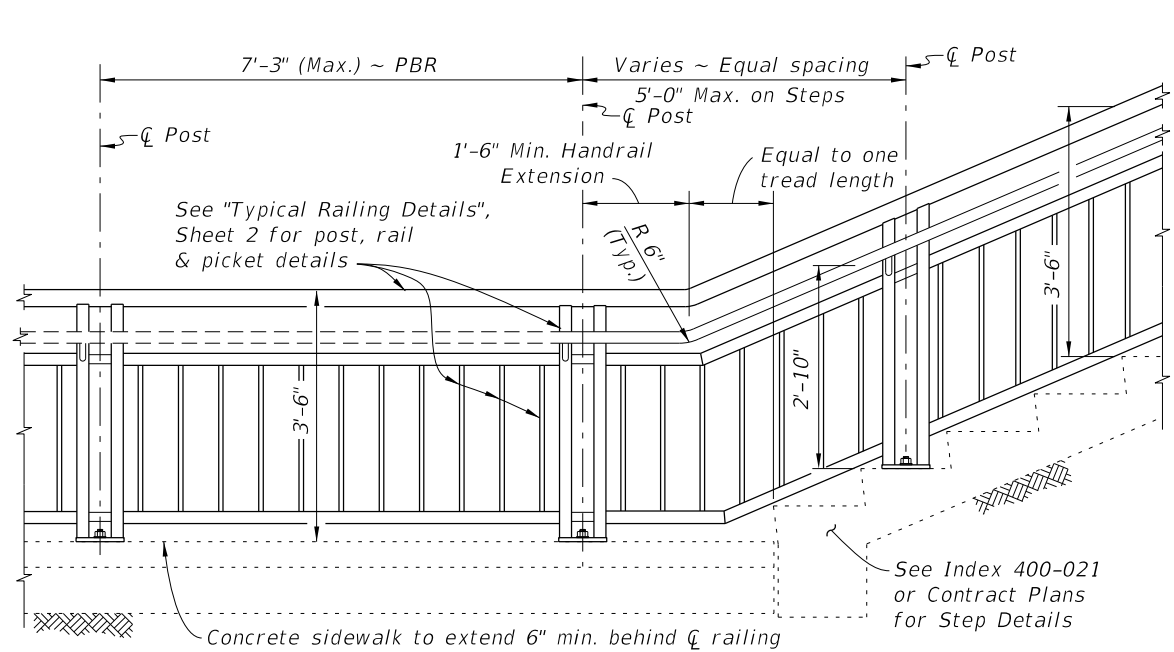


FY 2022-23  
STANDARD PLANS

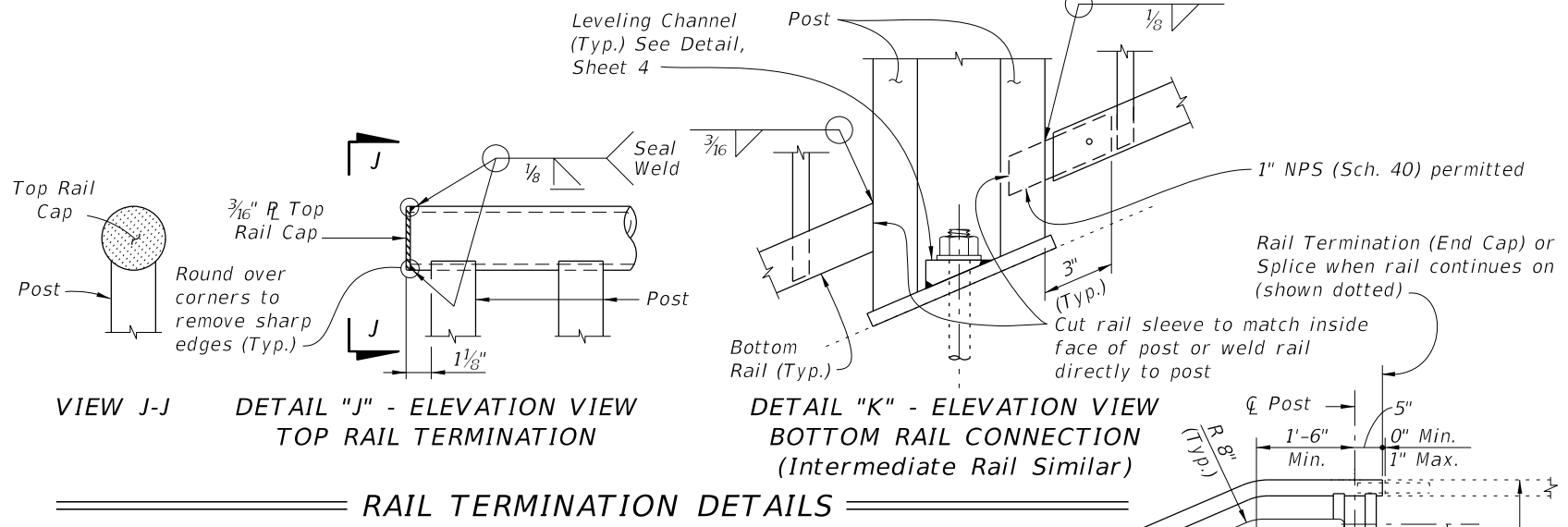
PEDESTRIAN/BICYCLE RAILING (ALUMINUM)

INDEX  
515-062

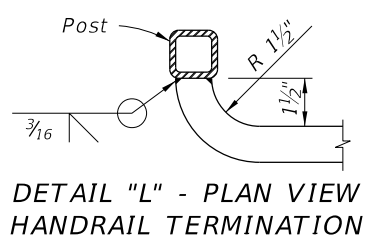
SHEET  
2 of 9



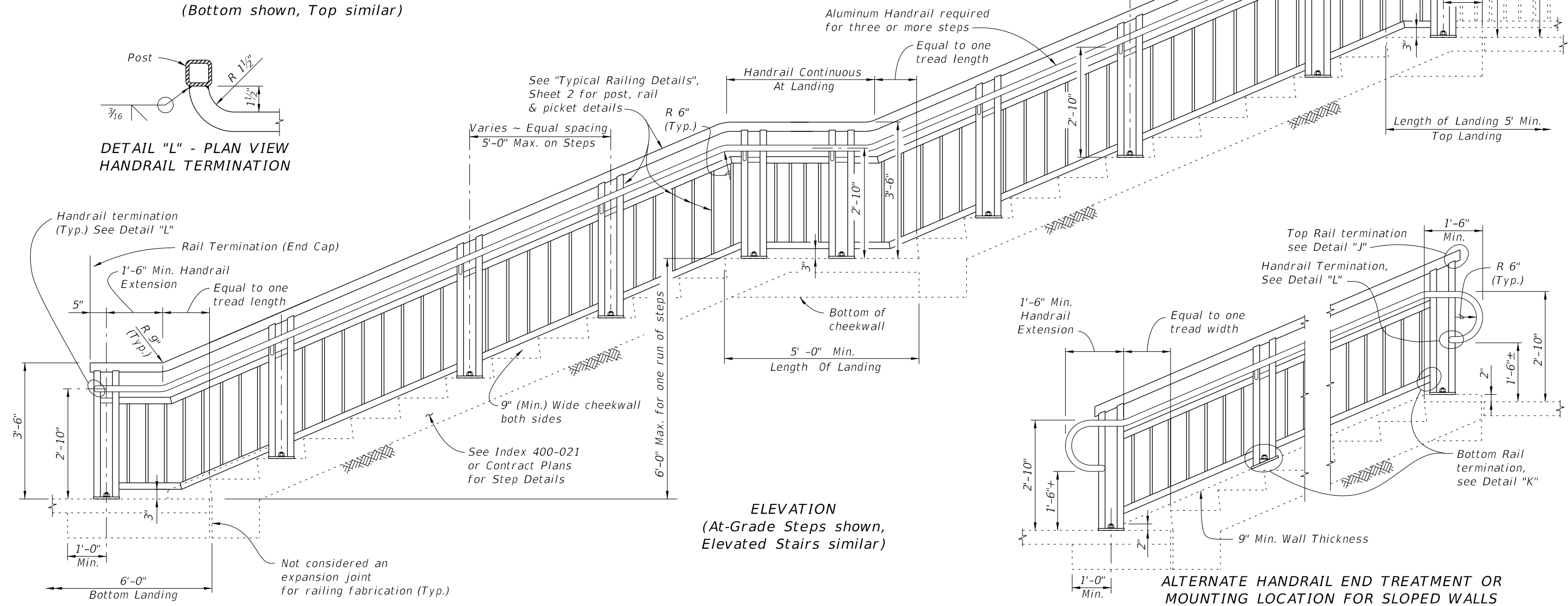
**RAILING CONTINUATION BEYOND STEPS OR STAIRS**  
(Bottom shown, Top similar)



**RAIL TERMINATION DETAILS**



**DETAIL "L" - PLAN VIEW HANDRAIL TERMINATION**

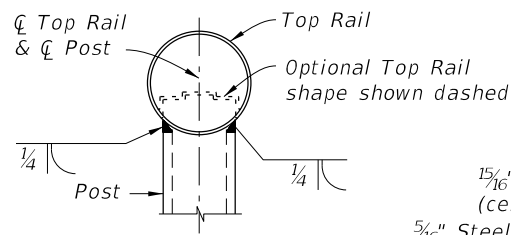


**ELEVATION**  
(At-Grade Steps shown,  
Elevated Stairs similar)

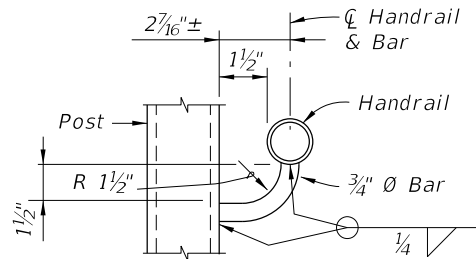
**ALTERNATE HANDRAIL END TREATMENT OR MOUNTING LOCATION FOR SLOPED WALLS**

9/21/2021 2:28:00 PM

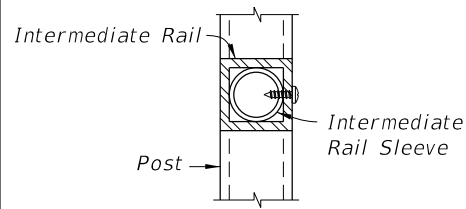
LAST REVISION 11/01/16	DESCRIPTION:	 FY 2022-23 STANDARD PLANS	PEDESTRIAN/BICYCLE RAILING (ALUMINUM)	INDEX 515-062	SHEET 3 of 9
---------------------------	--------------	--	---------------------------------------	------------------	-----------------



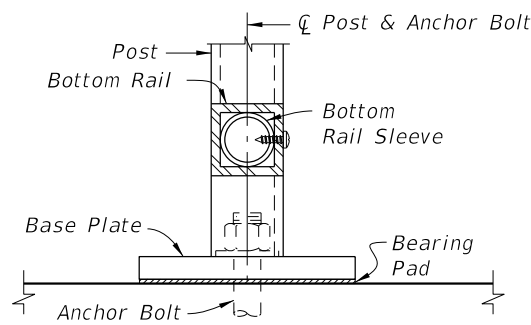
SECTION A-A  
(Top Rail Connection)



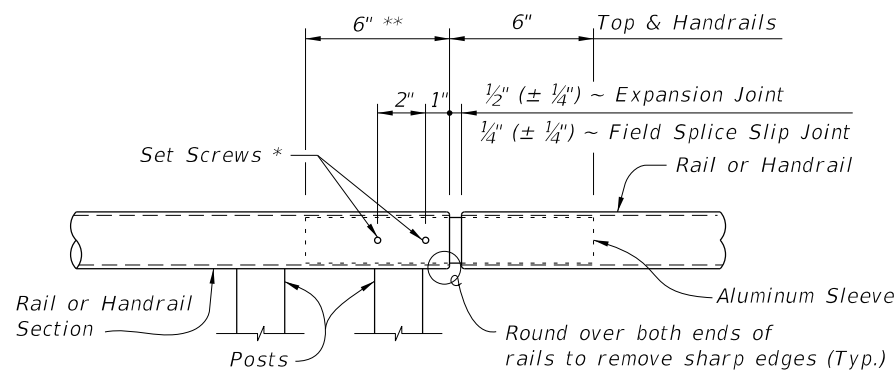
SECTION B-B  
(Handrail Connection)



SECTION C-C  
(Intermediate Rail Connection)



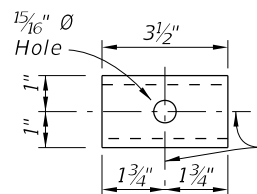
SECTION D-D  
(Bottom Rail Connection -  
Single Anchor Bolt Shown)



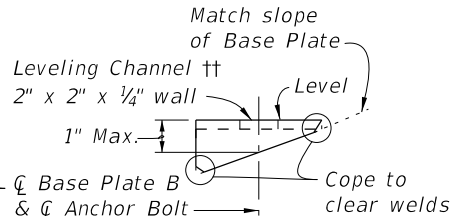
ROUND RAILS - TOP RAIL OR HANDRAIL  
(Top Rail at Expansion Joint Shown)



PLATE WASHER  
DETAIL

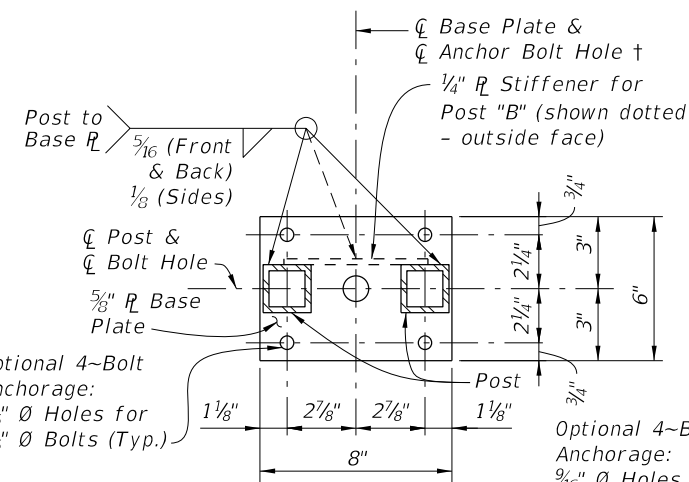


TOP VIEW

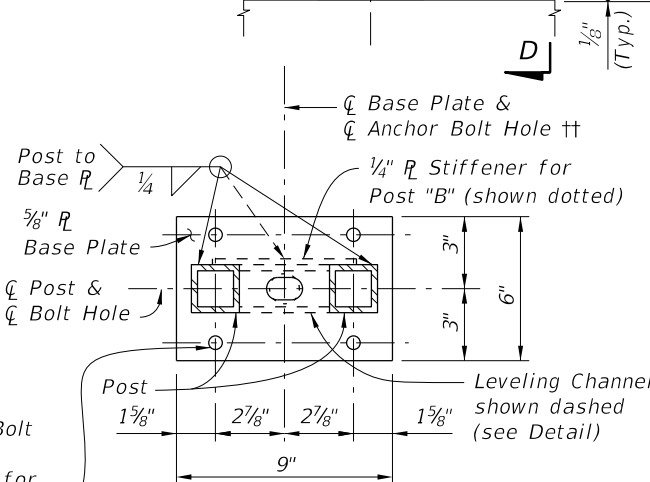


SIDE VIEW

LEVELING CHANNEL DETAIL



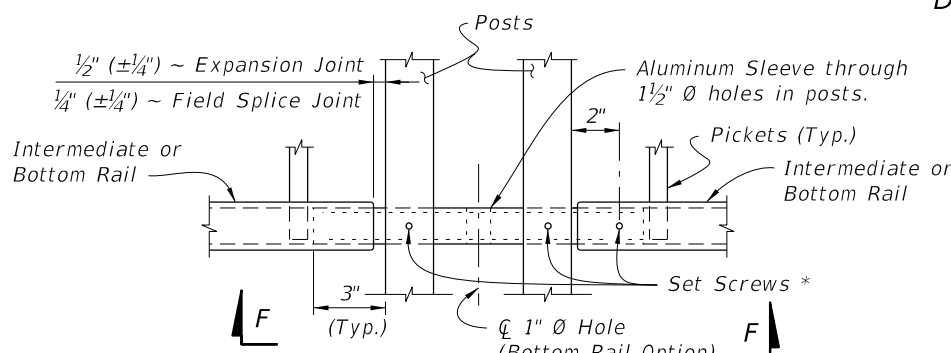
BASE PLATE A



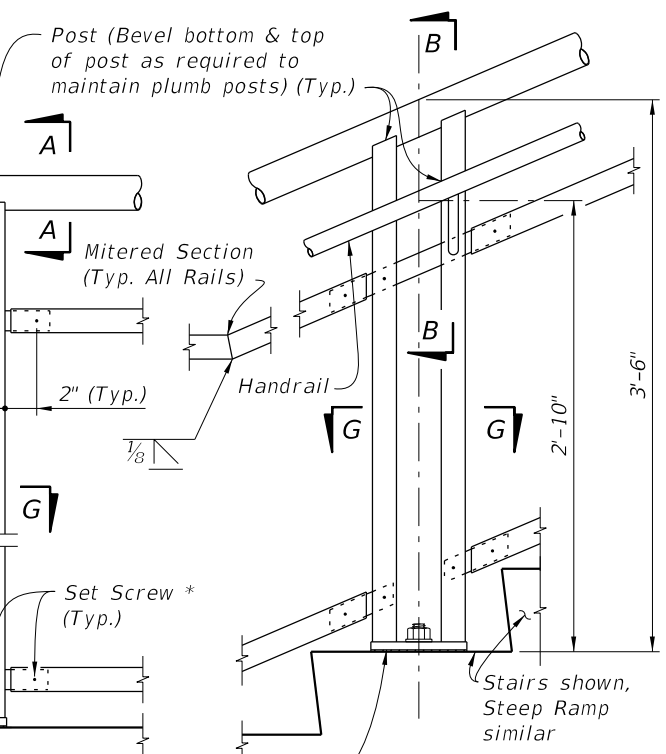
BASE PLATE B

SECTION G-G - BASE PLATE DETAILS

DETAIL "B" - EXPANSION JOINT (FIELD SPICE SLIP JOINT SIMILAR)



SQUARE RAILS - INTERMEDIATE OR BOTTOM RAIL  
(Bottom Rail Shown at Expansion Joint Shown)



DETAIL "A" - RAIL CONNECTIONS  
(Showing Inside Face of Railing)  
(Pickets/Panels and 4-Bolt Anchorage Not Shown for Clarity)

NOTES:

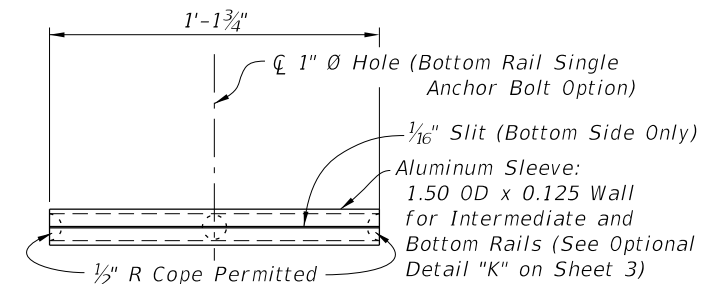
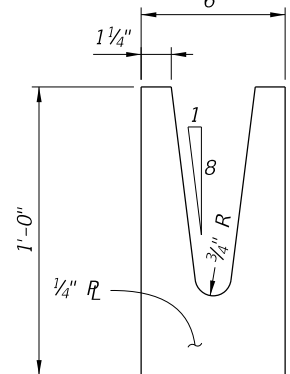
† Base Plate A (Ramps - Bolts normal) use 1 1/16" Ø Holes for Single Anchor Bolts with Flat Washers for slopes ≤ 8.33%.

‡ Base Plate B (Stairs - Bolts plumb) use 1/4" Ø Holes for Single Anchor Bolts with Beveled Plate and Washers for slopes > 8.33% to ≤ 15%; use 1 5/16" x 1 1/2" Slotted Holes with Leveling Channel for slopes > 15%.

\* 1/4" Ø x 3/4" Pan Head Aluminum or Stainless Steel Set Screws. Screws must be set flush against the outside face of rails & posts and underside of handrails. A single tack weld (1/2" max. length) at top of the sleeve for each post may be substituted for the Set Screws. Do not provide Set Screws for Rails at free end of Expansion Joints.

\*\* Embedded length may be 4" for plug welded connection.

POST "B" STIFFENER  
DETAIL



VIEW F-F  
INTERMEDIATE OR BOTTOM RAIL -  
ALUMINUM SLEEVE DETAIL (Bottom Side Shown)

CROSS REFERENCE:

For location of Details "B", See Sheet 2.

9/21/2021 2:28:01 PM

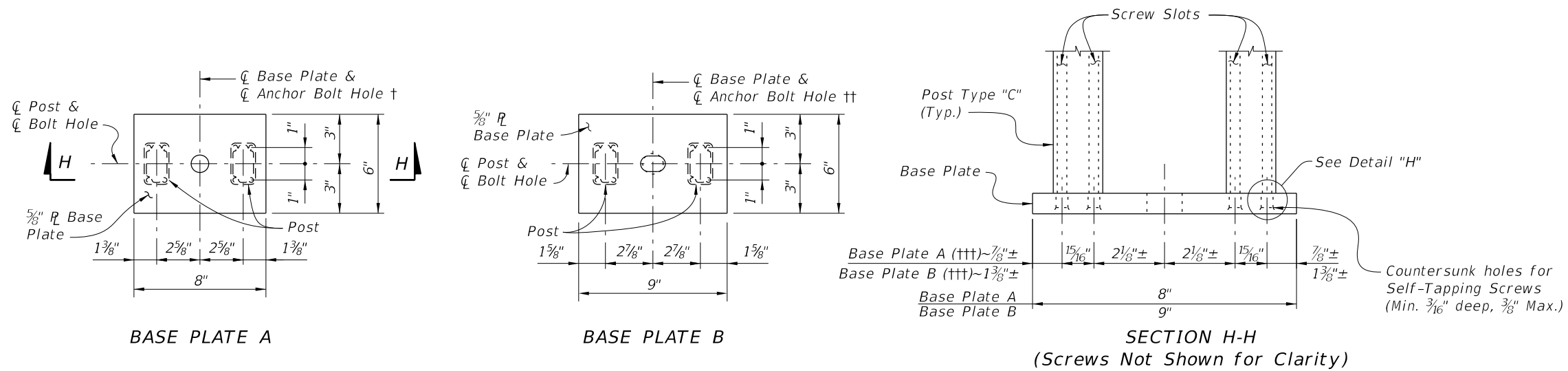
LAST REVISION	DESCRIPTION:
11/01/16	



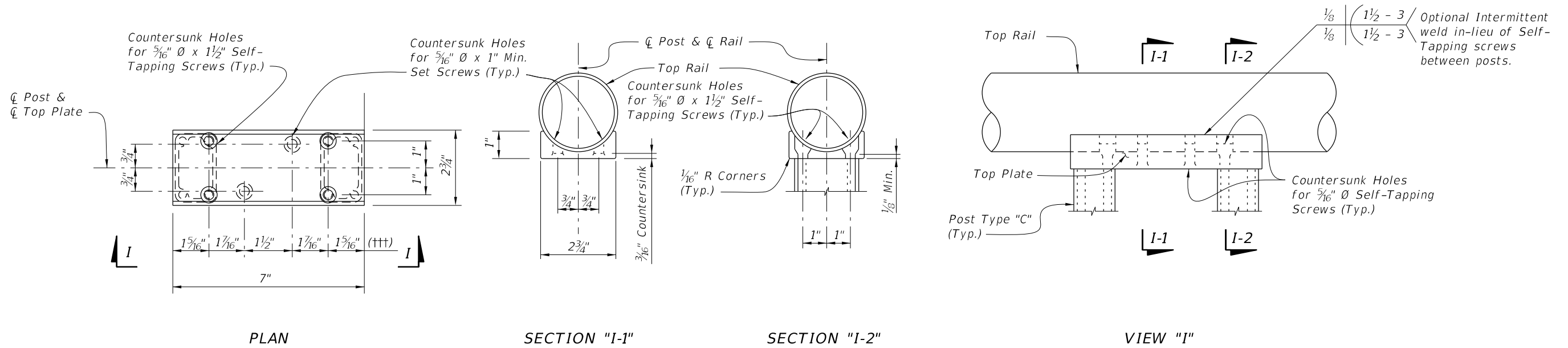
FY 2022-23  
STANDARD PLANS

PEDESTRIAN/BICYCLE RAILING (ALUMINUM)

INDEX SHEET  
515-062 4 of 9



BASE PLATE DETAILS FOR TYPE "C" POST

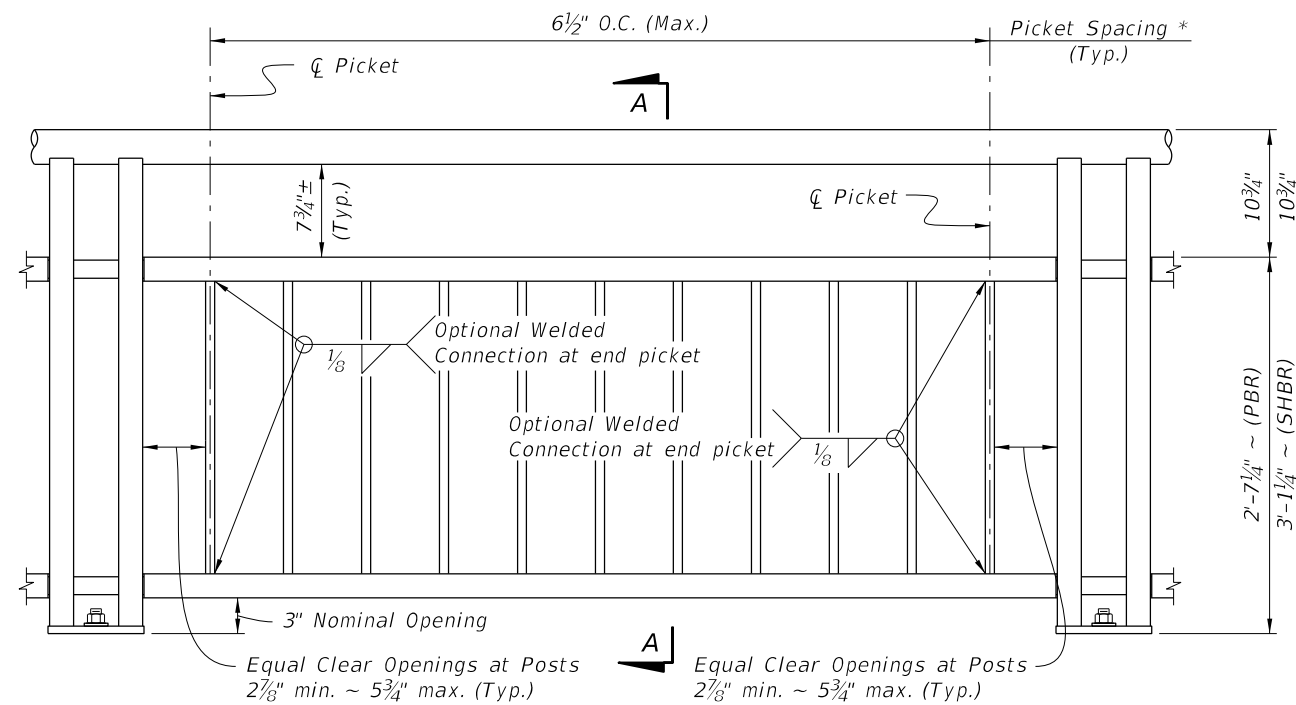


TOP PLATE DETAILS FOR TYPE "C" POST  
(Screws Not Shown For Clarity)

- Notes:
- † See Sheet 4 for Notes.
  - †† See Sheet 4 for Notes.
  - ††† Length varies for beveled posts on grades. Holes must be drilled plumb to align with screw slot.

9/21/2021 2:28:03 PM

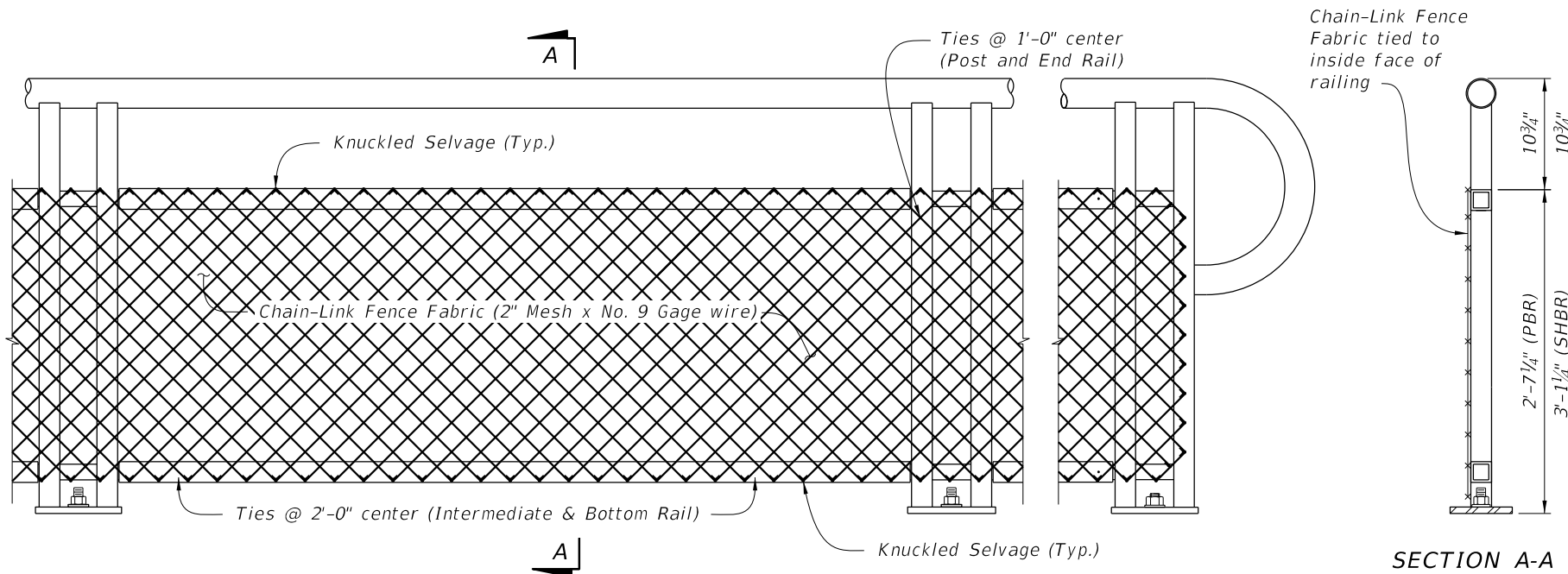
LAST REVISION 11/01/16	REVISION	DESCRIPTION:	 FY 2022-23 STANDARD PLANS	PEDESTRIAN/BICYCLE RAILING (ALUMINUM)	INDEX 515-062	SHEET 5 of 9
---------------------------	----------	--------------	---	---------------------------------------	------------------	-----------------



**TYPE 1 - PICKET INFILL PANEL**

**PICKET NOTES:**

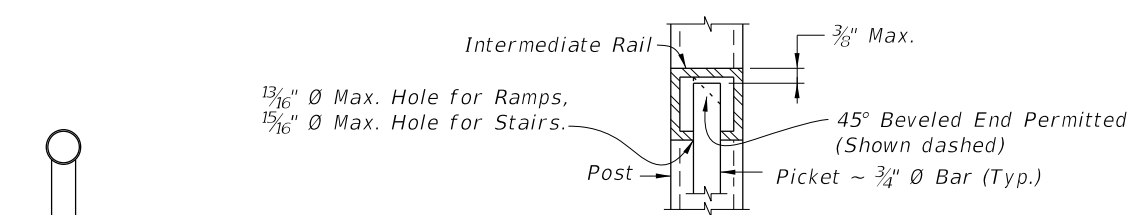
- \* Picket Spacing of 6 1/2" centers is based on a 3/4" Ø Bar for standard applications. When shown in the Contract Plans a 4 1/2" picket spacing may be required. See Note 4 (Sheet 1).



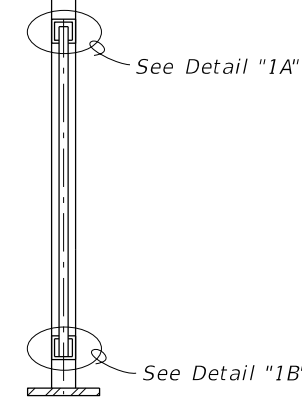
**TYPE 2 - CHAIN-LINK (Continuous Infill Panel)**

**NOTES:**

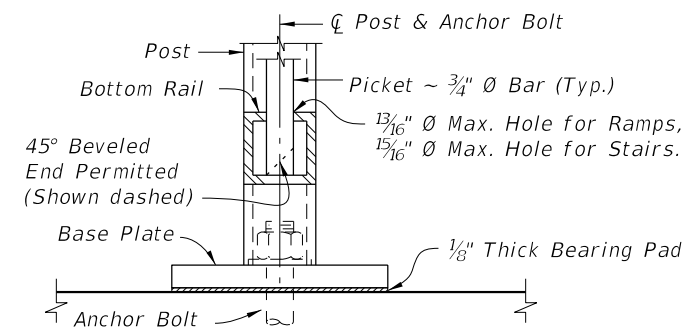
- 1. See Plans for Infill Panel option required.



**DETAIL "1A"**  
(Top of Picket Connection)



**SECTION A-A**



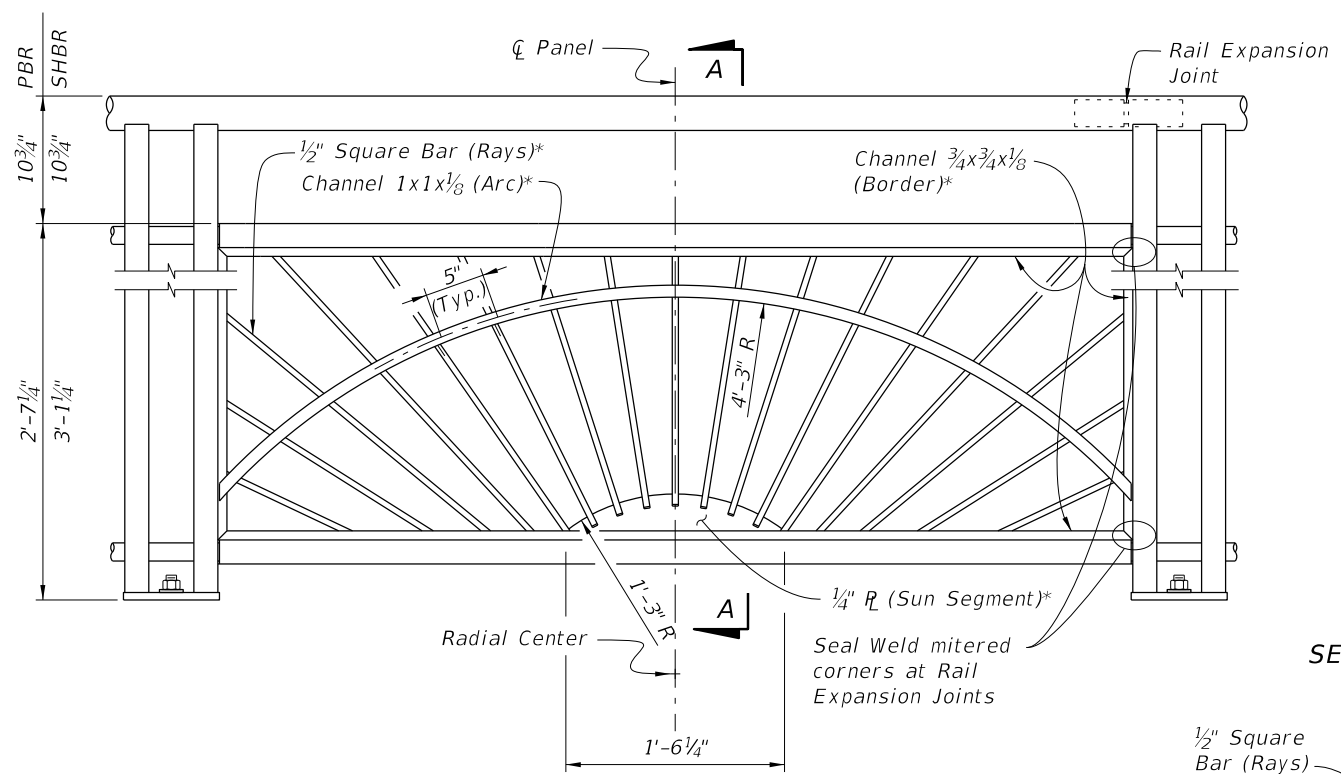
**DETAIL "1B"**  
(Bottom of Picket Connection)

TABLE 2 - CHAIN-LINK PANEL COMPONENT MATERIALS		
COMPONENT	ASTM	COMPONENT INFORMATION
Chain-Link Fence Fabric (2" mesh with knuckled top and bottom selvage)	A392	Zinc-Coated Steel - No. 9 gage (coated wire diameter), Class 2 Coating
	A491	Aluminum-Coated Steel - No. 9 gage (coated wire diameter)
	F668	Polyvinyl Chloride (PVC) Coated Steel - No. 9 gage Zinc-Coated Wire (metallic-coated core wire diameter) ~ See Plans for specified color of PVC.
Tie Wires	F626	Zinc-Coated Steel Wire - No. 9 gage with coating to match Chain-Link Fence Fabric.
Tension Bars	F626	3/16" (min. thickness) x 3/4" (min. width) x 2'-3' (min. height) Steel Bars
Miscellaneous Fence Components	F626	Zinc-Coated Steel

**CHAIN-LINK PANEL NOTE:**

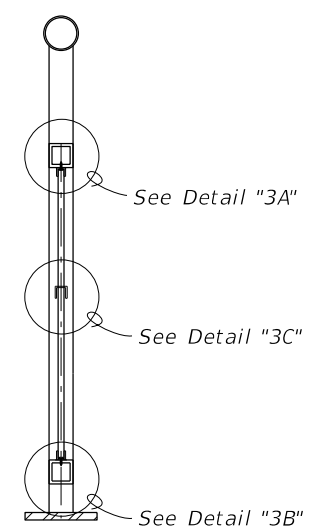
Chain-Link Fence Fabric shall be continuous along limits of railing. Splicing of Chain-Link panels using Tension Bars at 20'-0" minimum increments is permitted.

9/21/2021 2:28:04 PM

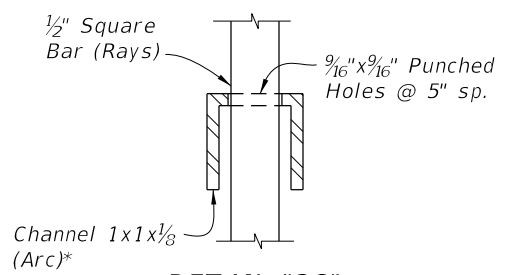


**TYPE 3 - SUNSHINE INFILL PANEL**

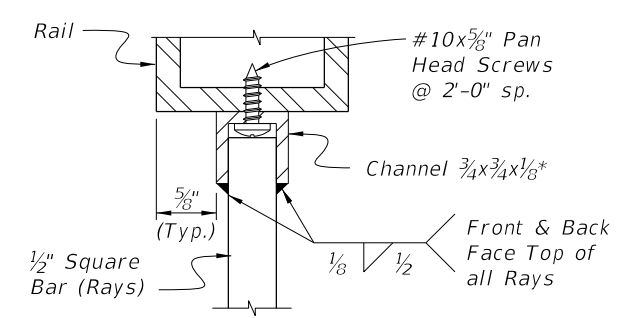
\* Arc, Rays and Sun Segment may be formed in a single panel from 1/2" plate (ASTM B209 Alloy 6061-T6 or T651) pattern cut with laser or plasma CNC, welded to a 1x1x1/8 Angle Border or the 3/4x3/4x1/8 Channel Border shown.



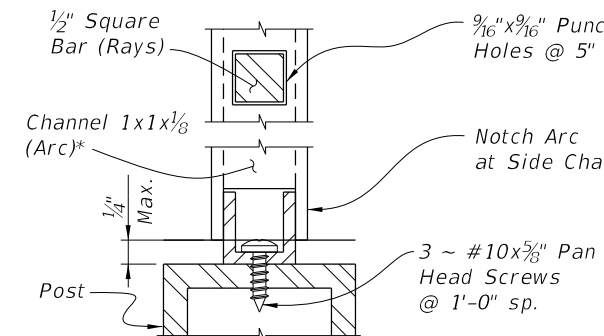
**SECTION A-A**



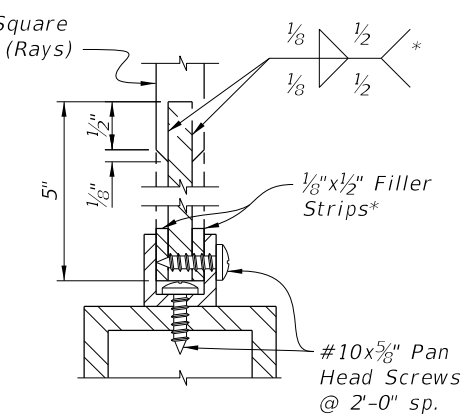
**DETAIL "3C"  
RAY/ARC CONNECTION**



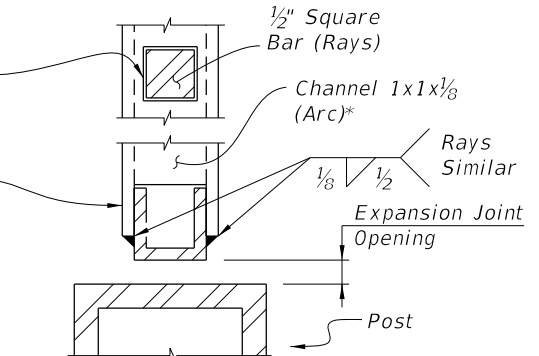
**DETAIL "3A"  
INTERMEDIATE RAIL/RAY CONNECTION**



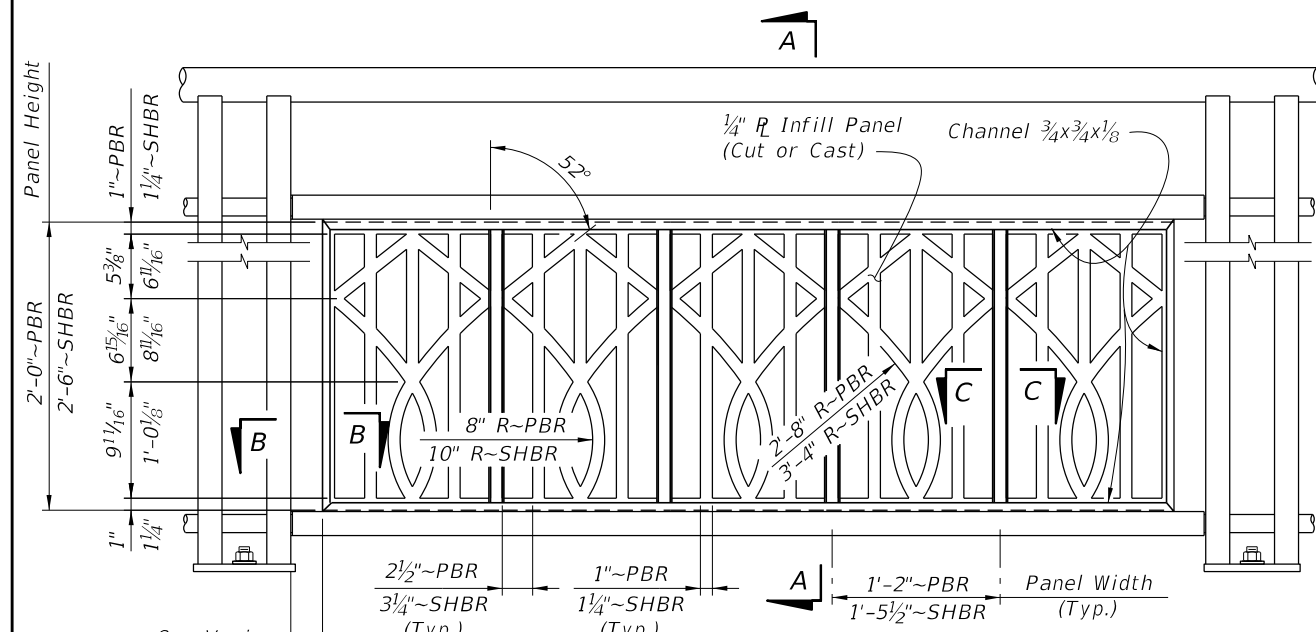
**DETAIL "3D"  
ARC/POST CONNECTION  
(Continuous Top Rail)**



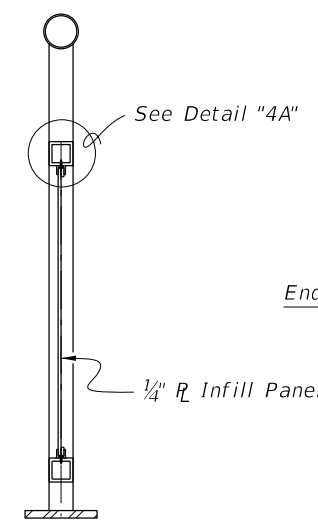
**DETAIL "3B"  
BOTTOM RAIL/RAY CONNECTION**



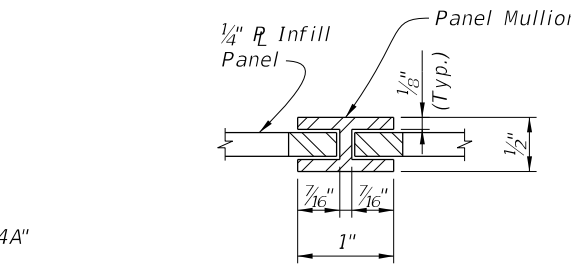
**DETAIL "3E"  
PANEL END CONNECTION  
AT POST WITH EXPANSION JOINT**



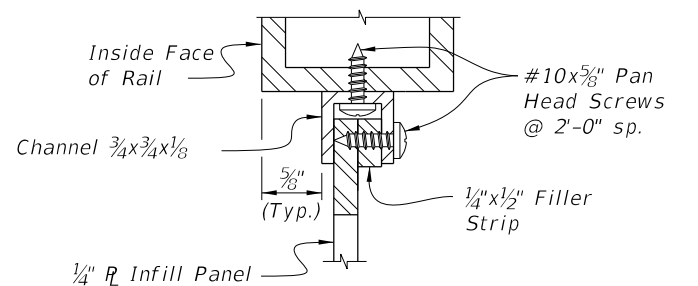
**TYPE 4 - BROADWAY INFILL PANEL**



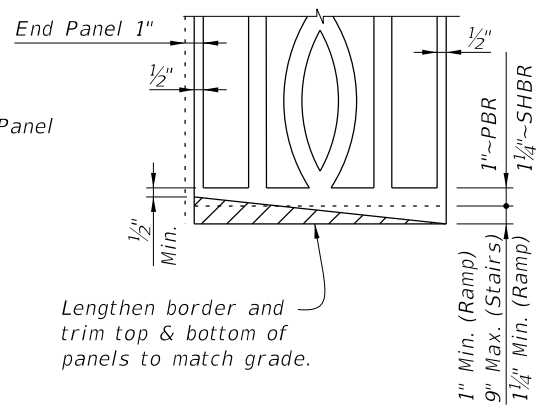
**SECTION A-A**



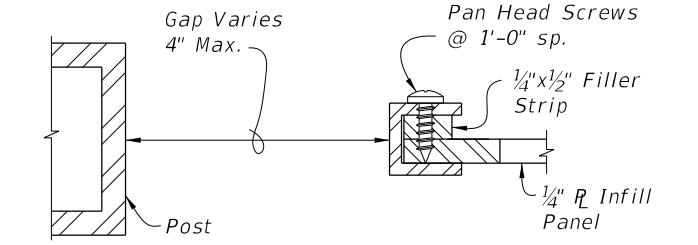
**SECTION C-C  
PANEL/SPLICE CONNECTION**



**DETAIL "4A"  
PANEL/RAIL CONNECTION  
(Top Shown, Bottom Similar)**



**PANEL ADJUSTMENT FOR RAILINGS  
ON GRADES**

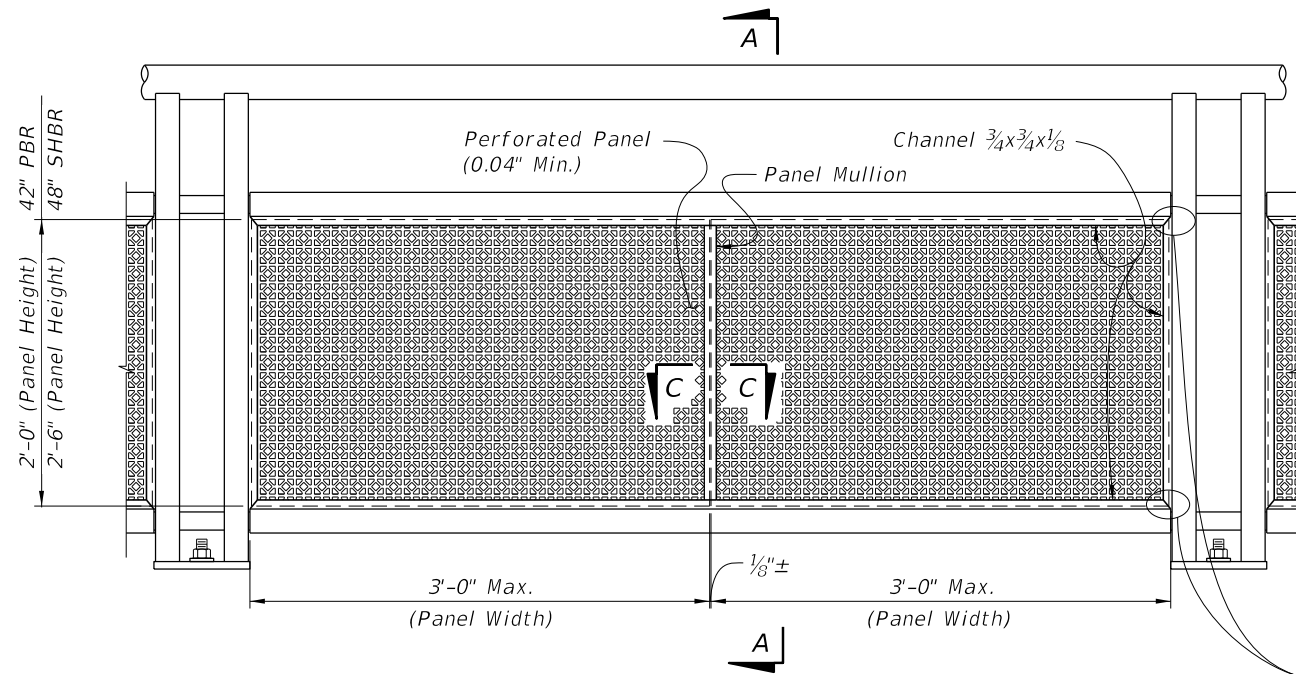


**SECTION B-B  
PANEL END CAP**

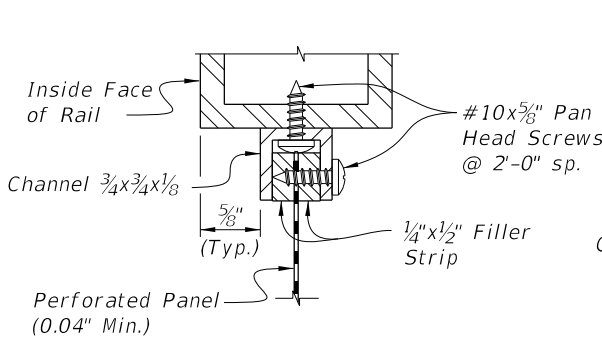
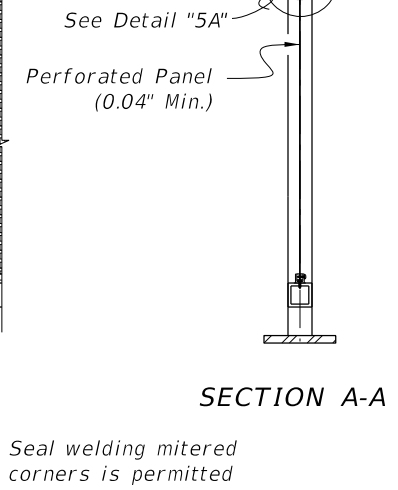
NOTES:  
1. See Plans for Infill Panel Option required.

9/21/2021 2:28:05 PM

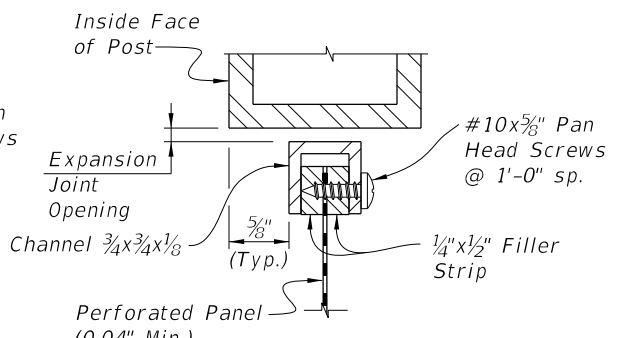
LAST REVISION 11/01/16	REVISION	DESCRIPTION:		FY 2022-23 STANDARD PLANS	PEDESTRIAN/BICYCLE RAILING (ALUMINUM)	INDEX 515-062	SHEET 7 of 9
---------------------------	----------	--------------	--	------------------------------	---------------------------------------	------------------	-----------------



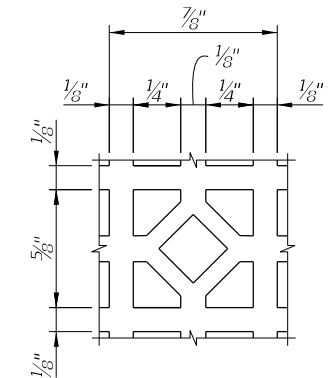
**TYPE 5 - PERFORATED INFILL PANEL**



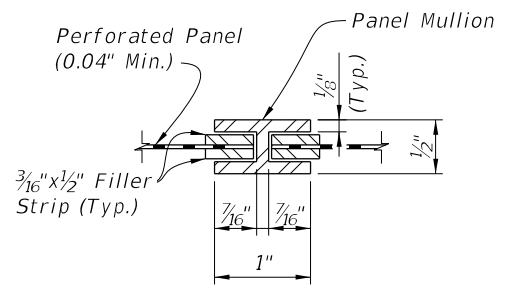
**DETAIL "5A"  
PANEL/RAIL CONNECTION  
(Top Shown, Bottom Similar)**



**DETAIL "5B"  
PANEL END CONNECTION  
(Expansion Joint Shown, Sides Similar)**



**REPEATING PATTERN DETAIL  
FOR PERFORATED PANEL**

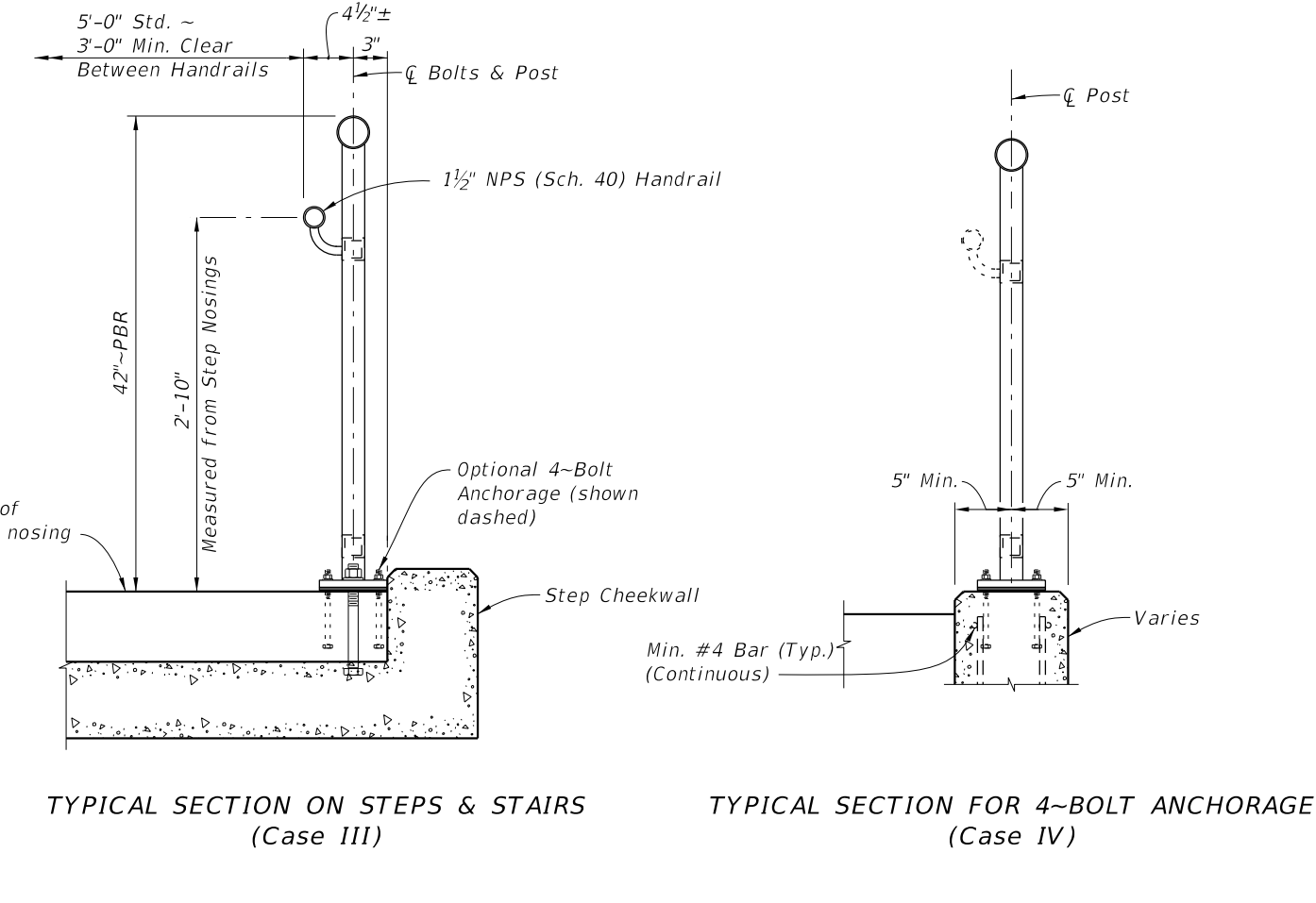
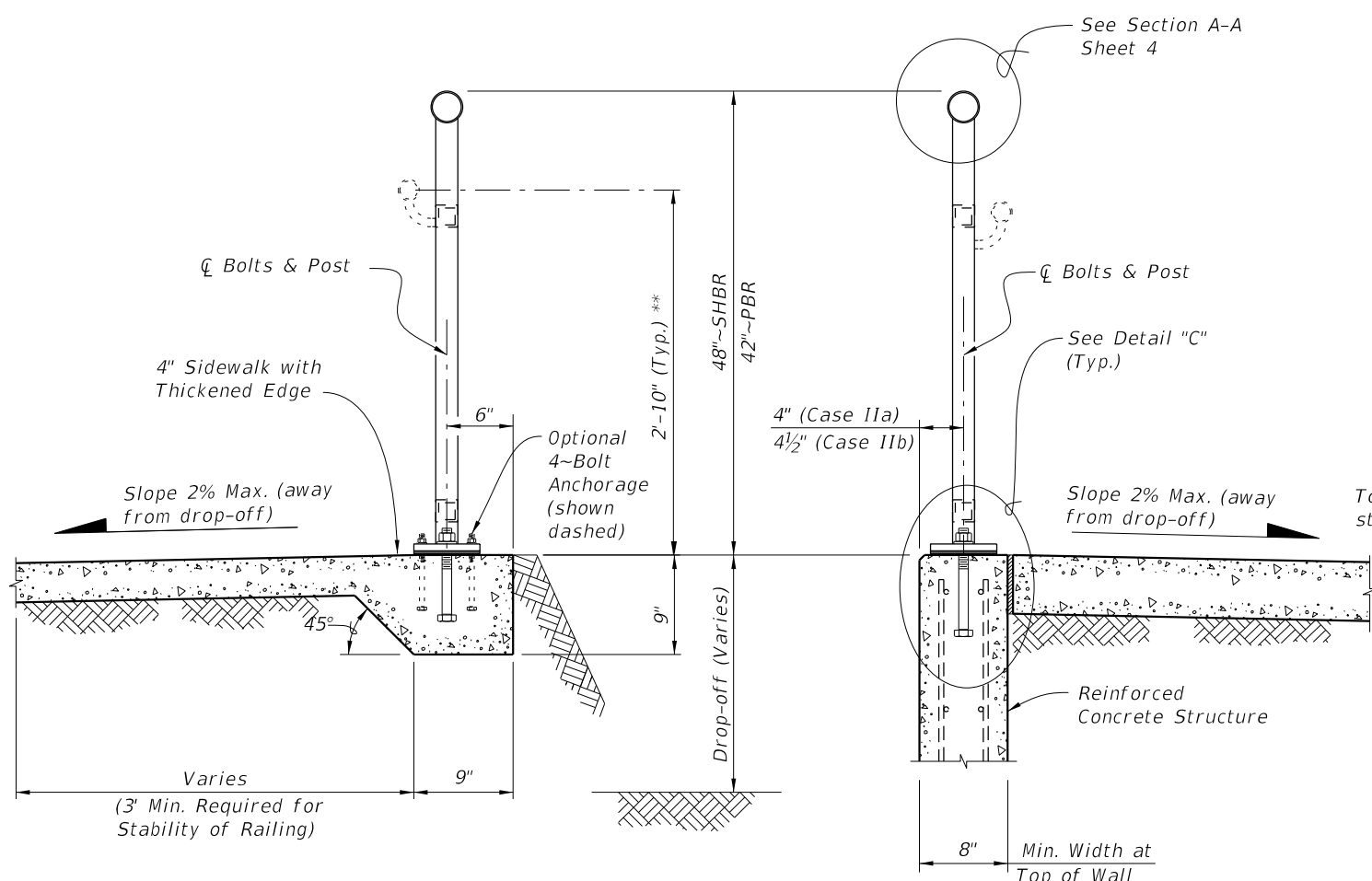


**SECTION C-C  
PANEL/SPLICE CONNECTION**

9/21/2021 2:28:06 PM

LAST REVISION 11/01/16	REVISION	DESCRIPTION:		FY 2022-23 STANDARD PLANS	PEDESTRIAN/BICYCLE RAILING (ALUMINUM)	INDEX 515-062	SHEET 8 of 9
---------------------------	----------	--------------	--	------------------------------	---------------------------------------	------------------	-----------------



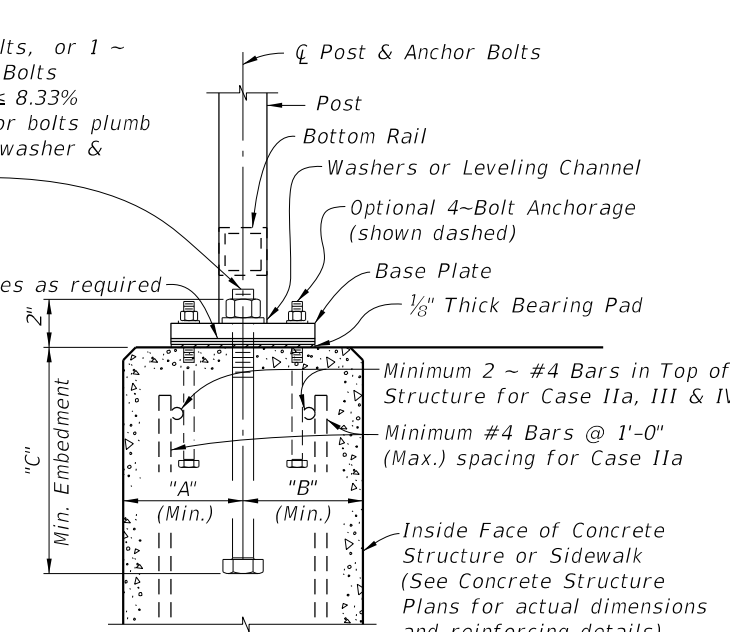
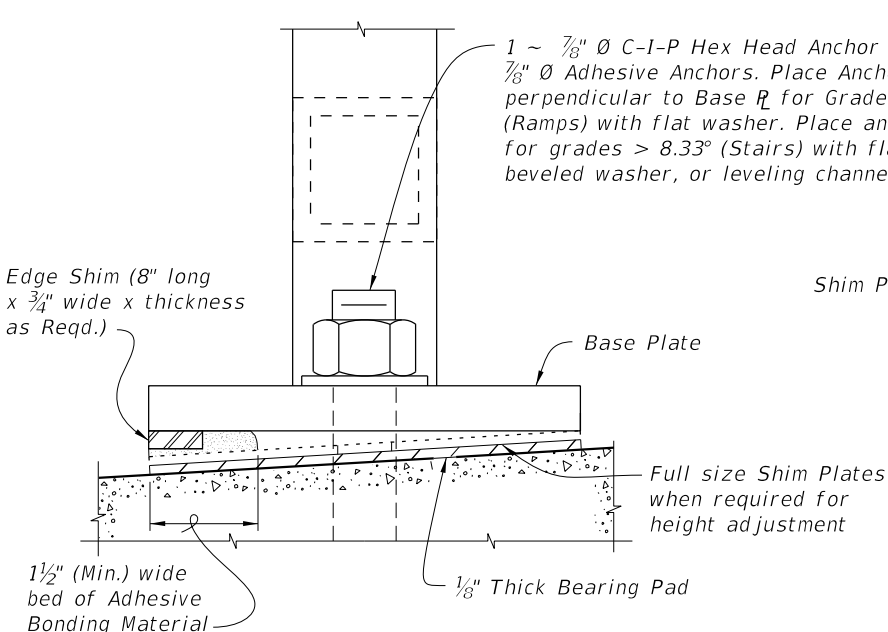


TYPICAL SECTION ON CONCRETE SIDEWALK (Case I)

TYPICAL SECTION ON RETAINING WALL (Case II)

TYPICAL SECTION ON STEPS & STAIRS (Case III)

TYPICAL SECTION FOR 4-BOLT ANCHORAGE (Case IV)



ANCHOR BOLT TABLE							
CASE	STRUCTURE TYPE	DIMENSIONS			ANCHOR LENGTH		ANCHOR SIZE
		"A" Edge Dist.	"B" Edge Dist.	"C" Embedment	C.I.P Hex Head Bolt	Adhesive Anchor	
I	Unreinforced Concrete	6"	1'-2"	6"	7 1/2"	8"	7/8" Ø
IIa	Reinforced Concrete	4"	4"	9"	10 1/2"	11"	7/8" Ø
IIb	Gravity Wall Index 400-011	4 1/2"	3 1/2" @ top	9"	10 1/2"	11"	7/8" Ø
III	Step Cheekwall	4 1/2"	4 1/2"	9"	10 1/2"	11"	7/8" Ø
IV	Varies	5"	5"	5"	6 1/2"	7"	7/16" Ø

\*\* When required; measured from top of sidewalk (Typ.)

9/21/2021 2:28:08 PM