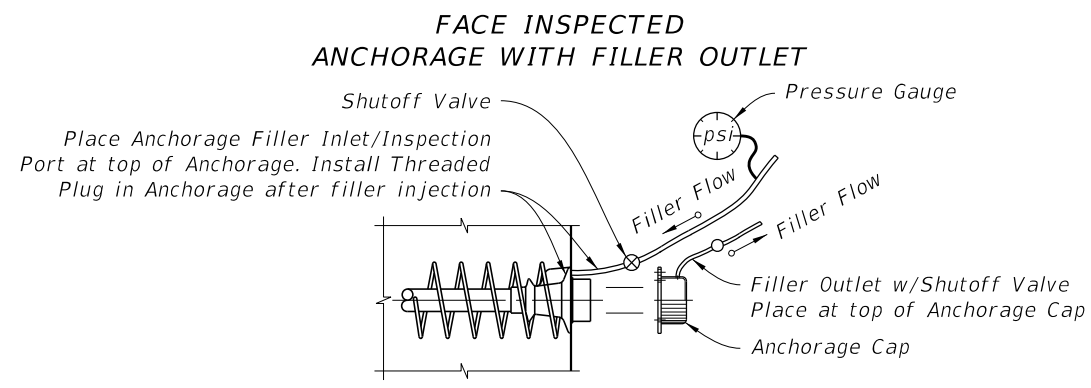
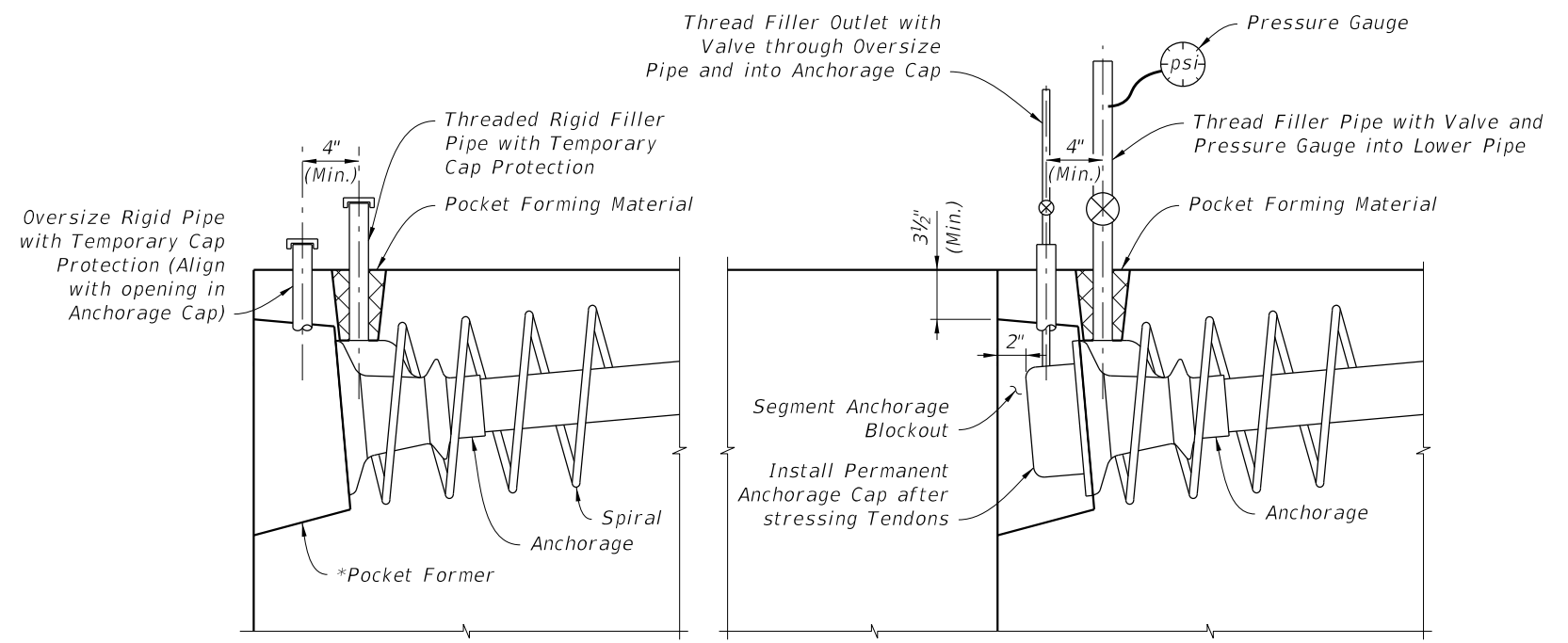


NOTE:
Where a vacuum system is connected to an anchorage, connect both the anchorage outlet and the cap outlet to the vacuum system.

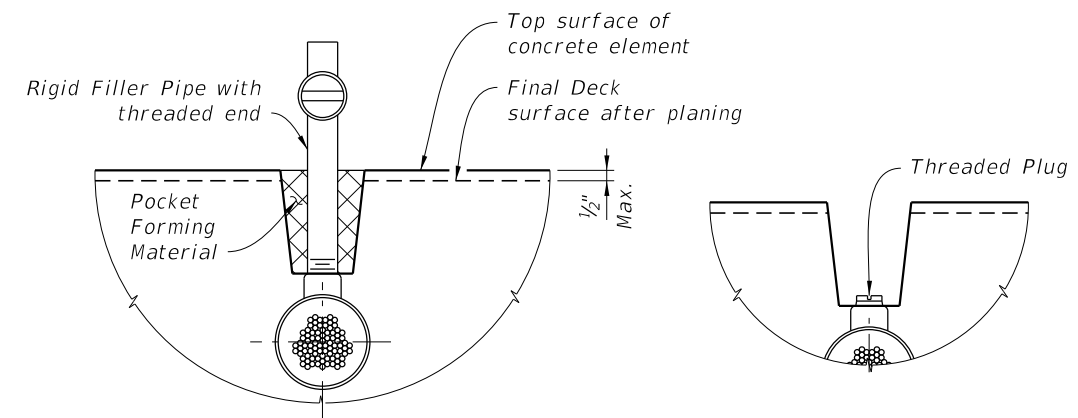


FACE INSPECTED ANCHORAGE WITH FILLER INLET



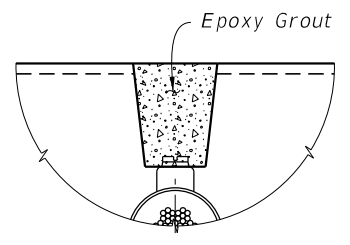
1 INSTALLATION & SHIPPING

2 FILLER INJECTION



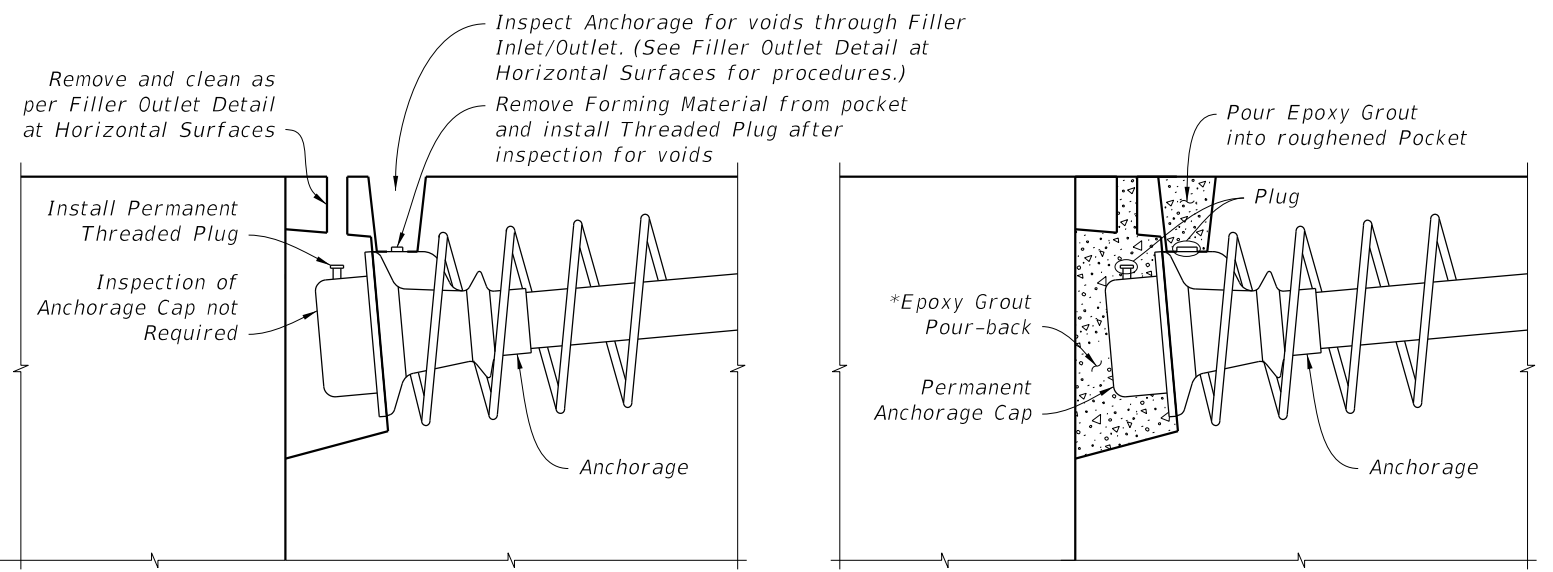
1 FILLER OUTLET CONNECTION TO DUCT

2 POCKET PREPARATION



3 FILLING POCKET

- PROCEDURE:
1. After filler injection is completed, Remove Pocket Forming Material and Rigid Filler Pipe.
 2. Inspect Tendon for voids as necessary.
 3. Vacuum inject as required. If grout is used, allow grout to cure. If flexible filler is used, replace filler displaced by inspection. Remove pipe used for vacuum injecting.
 4. Clean threads and rethread as required.
 5. Install Threaded Plug into Outlet to form a tight fit.
 6. Clean and roughen sides of pocket.
 7. Fill Pocket with Epoxy Grout.



3 INSPECTION

4 PROTECTION

TOP INSPECTED ANCHORAGE WITH FILLER INLET INSTALLATION, FILLER INJECTION, INSPECTION & PROTECTION

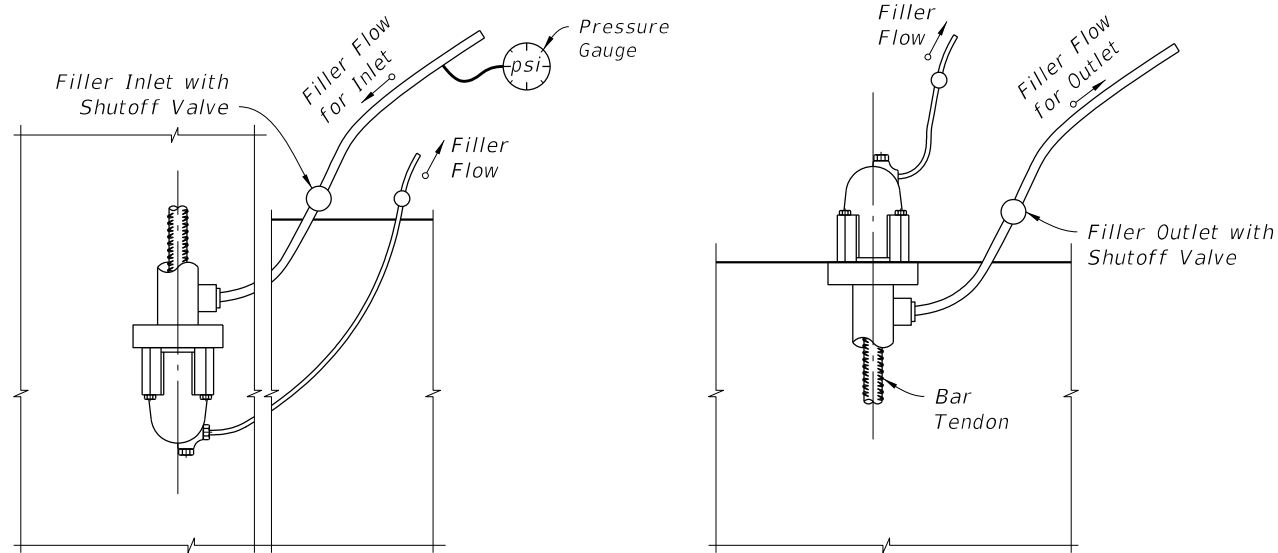
NOTES:

1. Holes used for the Inspection and Filler Inlets/Outlets may be formed using tapered pipes or mandrels.
 2. Where a vacuum system is connected to an anchorage, connect both the anchorage outlet and the cap outlet to the vacuum system.
- * Round Pocket Former - Gravity fed placement of epoxy grout acceptable
 Modified Square Pocket Former - Gravity fed placement of epoxy grout acceptable
 Square Pocket Former - Vacuum epoxy grouting required

== FILLER OUTLET DETAIL AT HORIZONTAL SURFACES ==

9/23/2021 9:23:01 AM

LAST REVISION 11/01/18	REVISION	DESCRIPTION:		FY 2022-23 STANDARD PLANS	POST-TENSIONING ANCHORAGE AND TENDON FILLING DETAILS	INDEX 462-003	SHEET 1 of 2
---------------------------	----------	--------------	--	------------------------------	---	------------------	-----------------

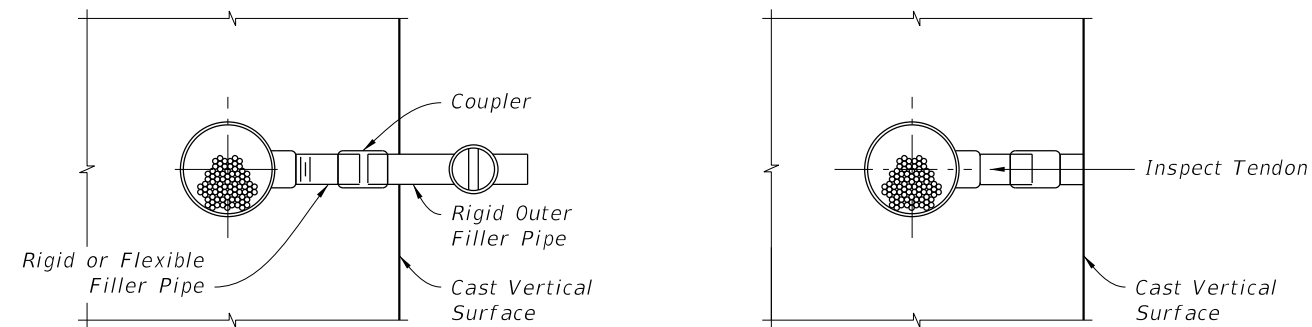


NOTES:
 1. Anchor or Nut to allow for flow of Filler into Cap.
 2. Where a vacuum system is connected to an anchorage, connect both the anchorage outlet and the cap outlet to the vacuum system.

INLET END
 (EMBEDDED ANCHORAGE SHOWN; ANCHORAGE AT CONCRETE SURFACE SIMILAR)

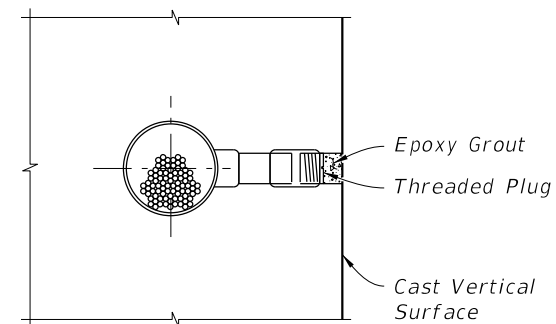
OUTLET END

FILLER INLET AND OUTLET DETAILS FOR BAR TENDONS
 (VERTICALLY ORIENTED TENDON SHOWN; HORIZONTALLY ORIENTED TENDON SIMILAR)



1 FILLER OUTLET CONNECTION TO TENDON

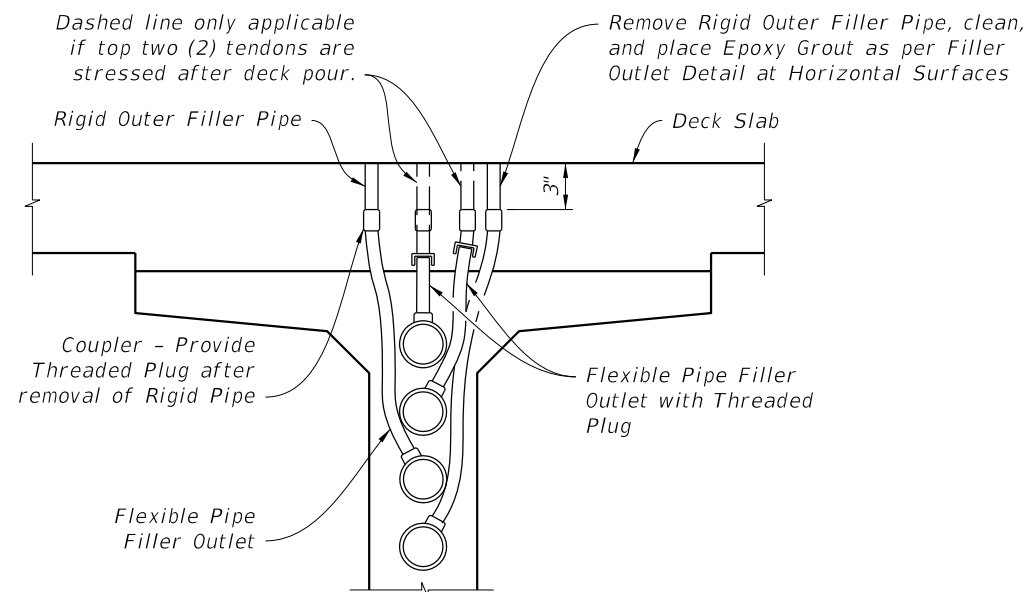
2 POCKET PREPARATION



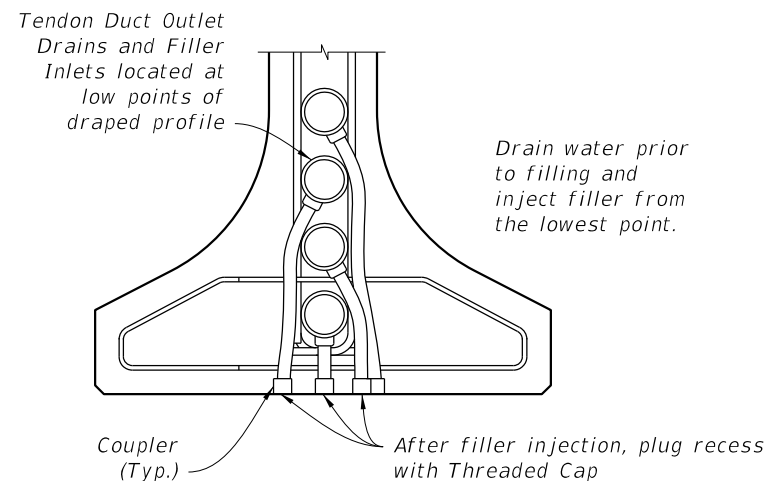
3 FILLING POCKET

PROCEDURE:
 1. Remove Rigid Filler Pipe or drill Grout in flexible pipe.
 2. Inspect tendon for voids.
 3. Vacuum inject as required. If grout is used, allow grout to cure. If flexible filler is used, replace filler displaced by inspection. Remove pipe used for vacuum injecting.
 4. Install Threaded Plug into Outlet to form a tight fit.
 5. Over-ream hole (1/4" Ø over-ream). Clean and roughen sides.
 6. Fill pocket with epoxy grout.

FILLER OUTLET DETAIL AT VERTICAL SURFACES



TENDONS AT HIGH POINTS AND 3' FROM HIGH POINTS (FILLER OUTLET)



TENDONS AT LOW POINTS (FILLER INLET / DRAIN)

FILLER INLET AND OUTLET DETAILS FOR I-GIRDERS
 DETAILS FOR C.I.P. BOXES WITH INTERNAL TENDONS SIMILAR. WEB REINFORCING NOT SHOWN FOR CLARITY.

9/23/2021 9:23:02 AM

LAST REVISION 11/01/16	DESCRIPTION:		FY 2022-23 STANDARD PLANS	POST-TENSIONING ANCHORAGE AND TENDON FILLING DETAILS	INDEX	SHEET
					462-003	2 of 2