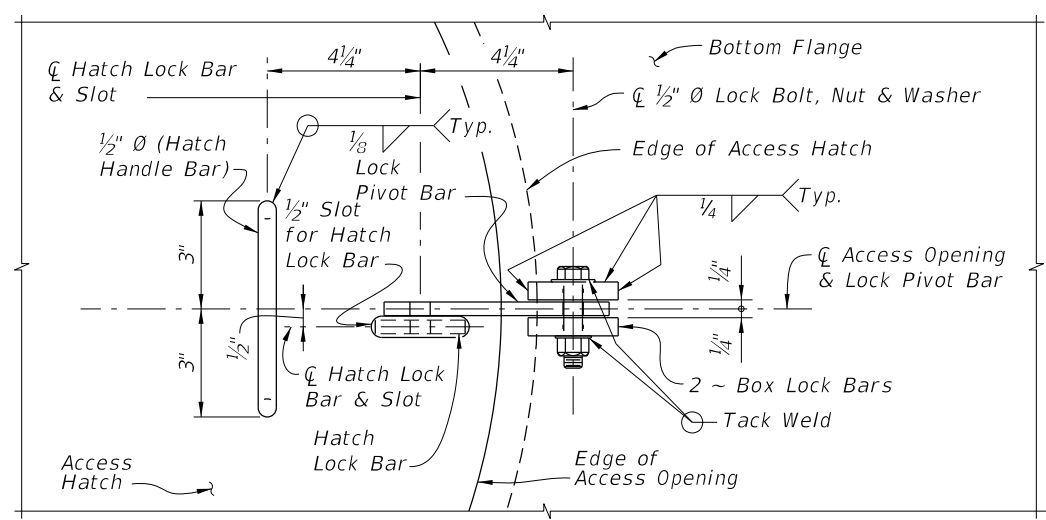
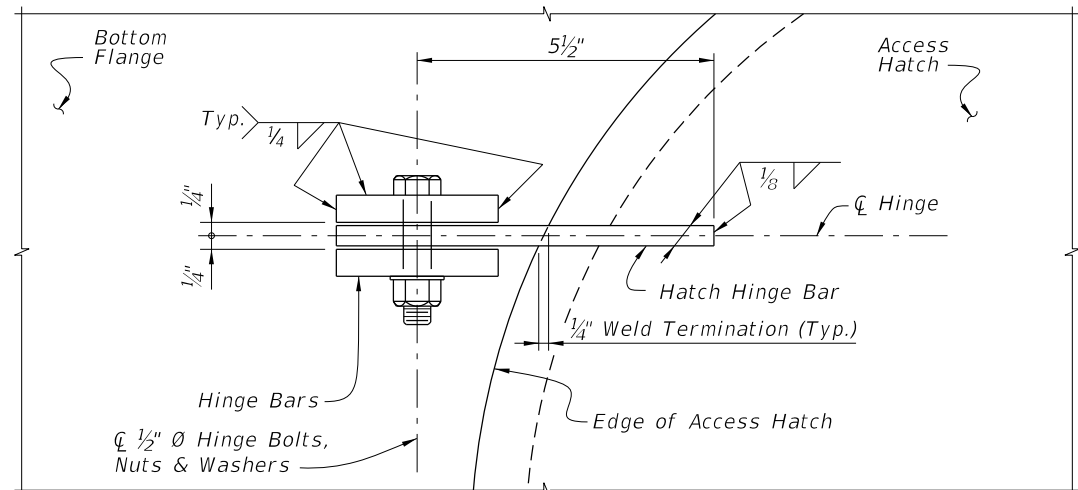


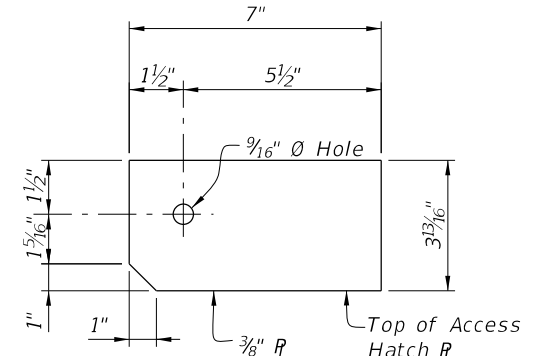
PLAN VIEW OF ACCESS HATCH ASSEMBLY



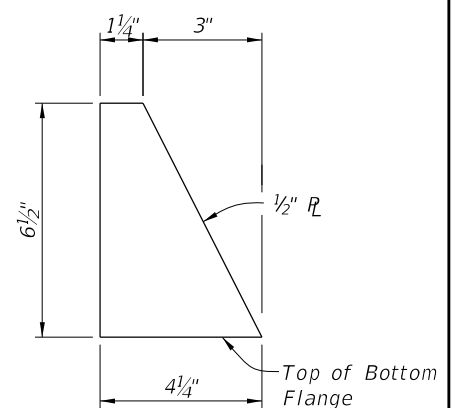
VIEW A-A



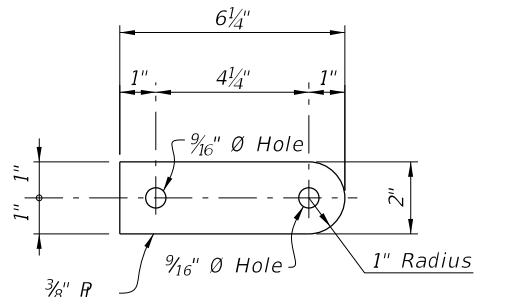
HINGE DETAIL



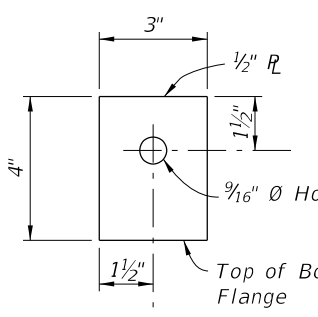
HATCH HINGE BAR DETAIL



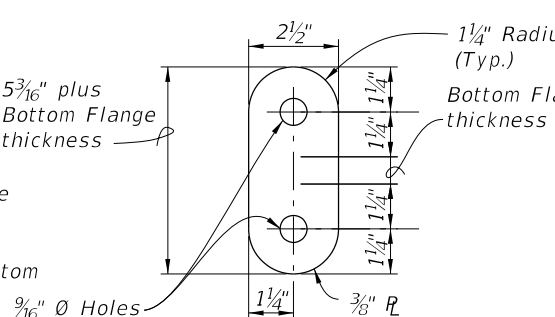
STOP BAR DETAIL



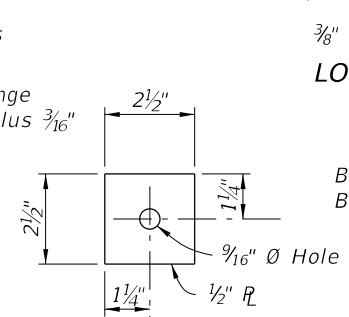
LOCK PIVOT BAR DETAIL



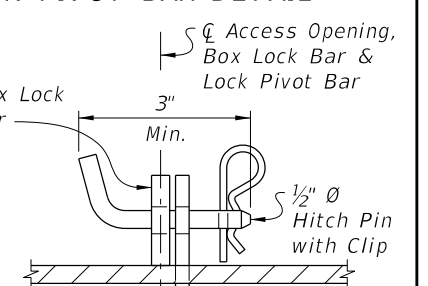
HINGE BAR DETAIL



HATCH LOCK BAR DETAIL

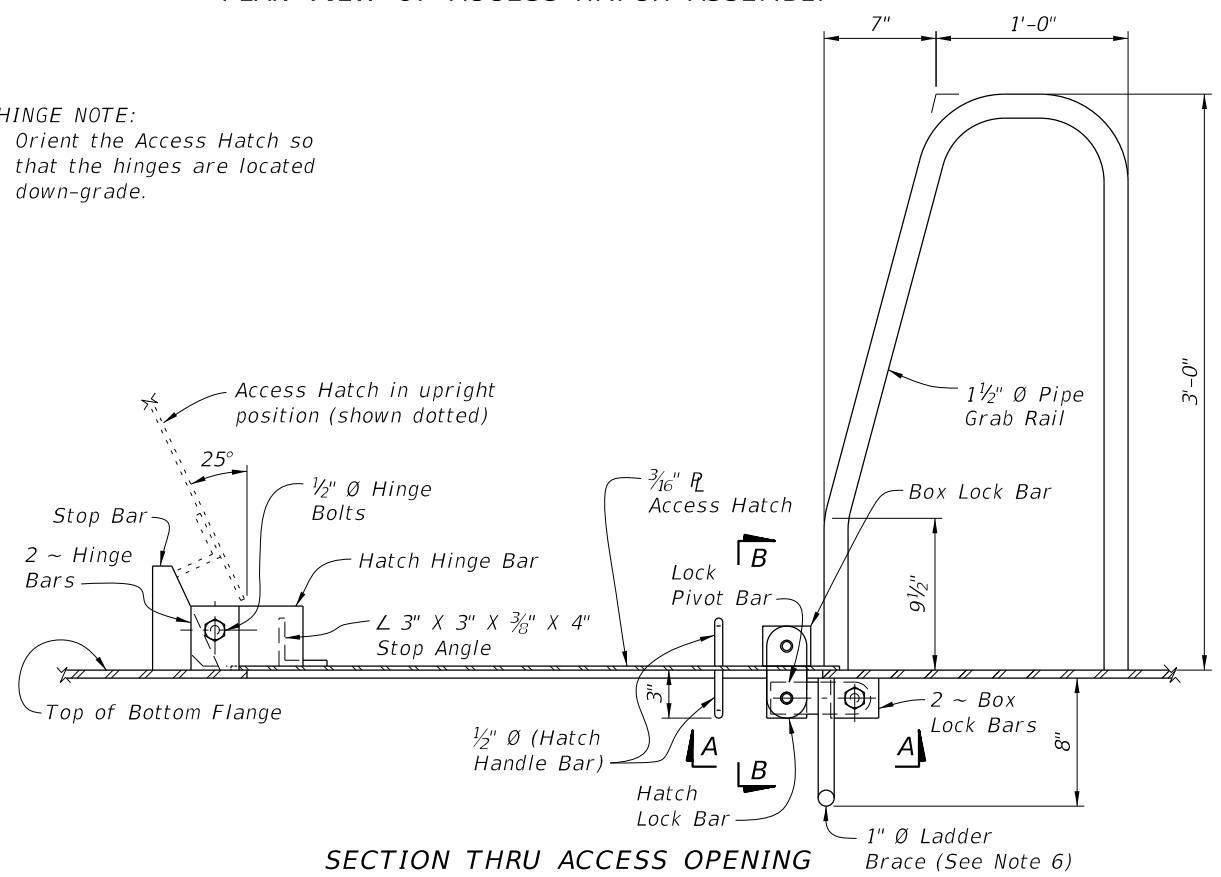


BOX LOCK BAR DETAIL



VIEW B-B HATCH LOCK ASSEMBLY DETAIL

HINGE NOTE:
Orient the Access Hatch so that the hinges are located down-grade.



SECTION THRU ACCESS OPENING

- NOTES:
1. All Structural Steel material in Access Hatch Assemblies shall conform to ASTM A709 Grade 36.
 2. 1 1/2\"/>

9/23/2021 8:50:54 AM

LAST REVISION 07/01/15	REVISION	DESCRIPTION:		FY 2022-23 STANDARD PLANS	ACCESS HATCH ASSEMBLY FOR STEEL BOX SECTIONS	INDEX 460-250	SHEET 1 of 1
---------------------------	----------	--------------	--	------------------------------	---	------------------	-----------------