

ELEVATION

\*The 45"  $\emptyset$  Void in the pile shall be positively vented to water or air after the final pile installation. If the 3 1/2"  $\emptyset$  vents are included in the pile cut-off section, then venting shall be provided by the use of a 1"  $\emptyset$  PVC conduit through the substructure cap or column.

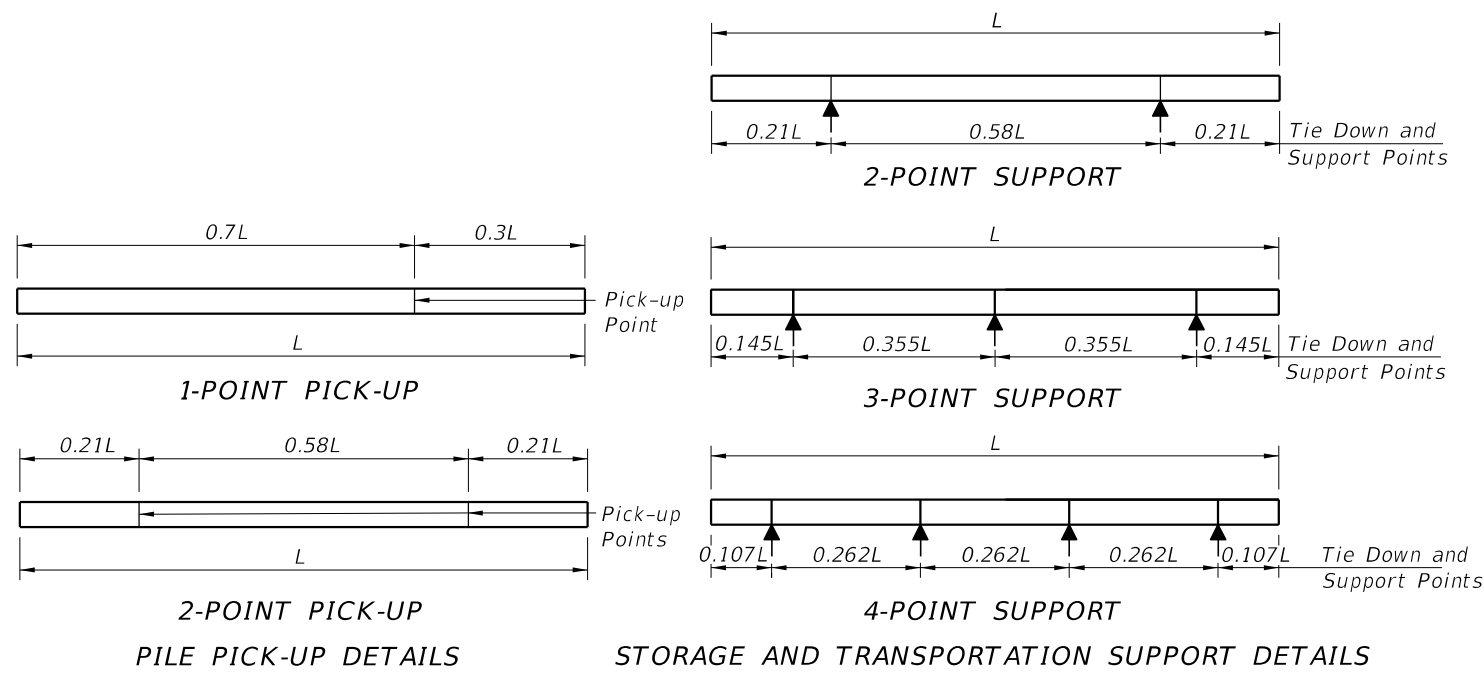
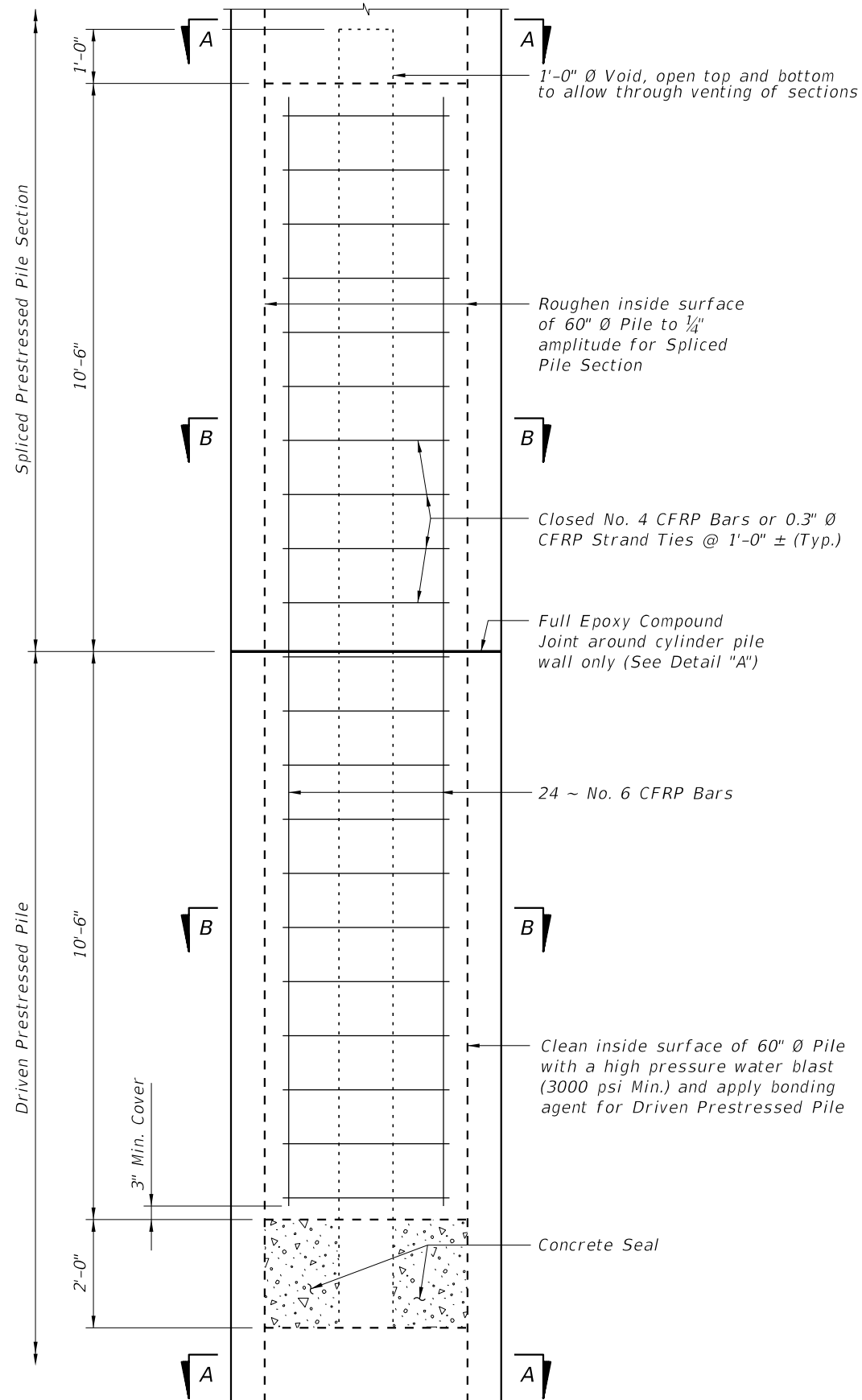


TABLE OF MAXIMUM PILE PICK-UP AND SUPPORT LENGTHS		
Maximum Pile Length (Feet)	Required Storage and Transportation Detail	Pick-Up Detail
122	2, 3, or 4 point	1 Point
174	2, 3, or 4 point	2 Point

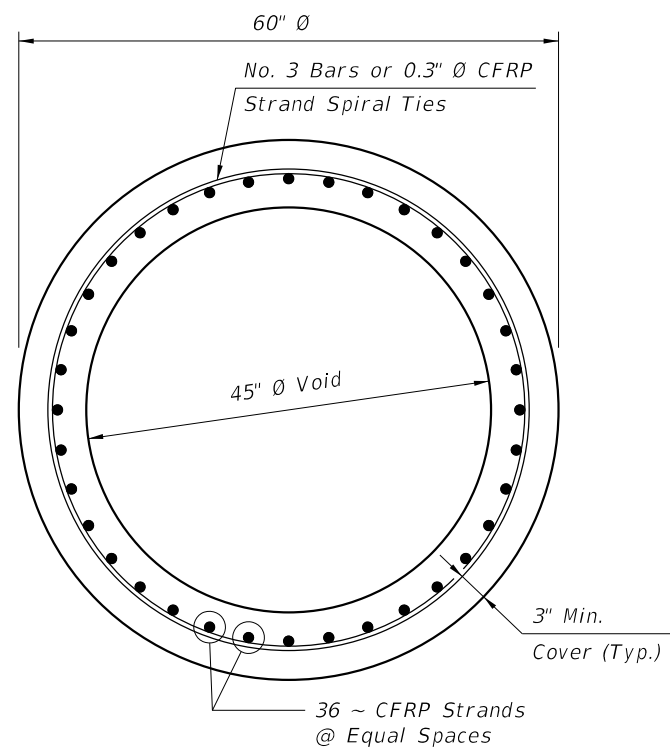
NOTES

- Work this Index with the Pile Data Table in the Structures Plans.
- Concrete:
  - Piles: Class V (Special)
  - Splice Collar: Class IV
  - See "GENERAL NOTES" in the Structures Plans for locations where the use of Highly Reactive Pozzolans is required.
- Concrete Strength at time of prestress transfer:
  - Piles: 4,000 psi minimum.
- Reinforcing:
  - Bars:
    - Stainless Steel: Meet the requirements of Specification Section 931 for Type 304, Grade 75.
    - Carbon FRP: Meet the requirements of Specification Section 932.
  - Prestressing Strands:
    - Stainless Steel: Seven-wire HSSS, UNS S32205 (Type 2205) or UNS S31803 strand, meeting the requirements of Specification Section 933.
    - Carbon FRP: Meet the requirements of Specification Section 933.
  - Spiral Ties:
    - One half turn is required for carbon steel spiral splice.
    - One full turn is required at the pile head and tip.
- Pile Splices:
  - Epoxy: Type AB Epoxy Compound or Epoxy Mortar must meet the requirements of Specification Section 926.
    - Use a Type AB Epoxy Bonding Compound or Epoxy Mortar, as recommended by the Manufacturer, to form the joint between pile sections
    - Use a Type AB Epoxy Bonding Compound as a bonding agent on internal pile surfaces.
  - Splices: Resume pile driving after the splice concrete reaches a minimum strength of 5,500 psi.
- Mark piles at the pick-up points to indicate the proper points for attaching handling lines.

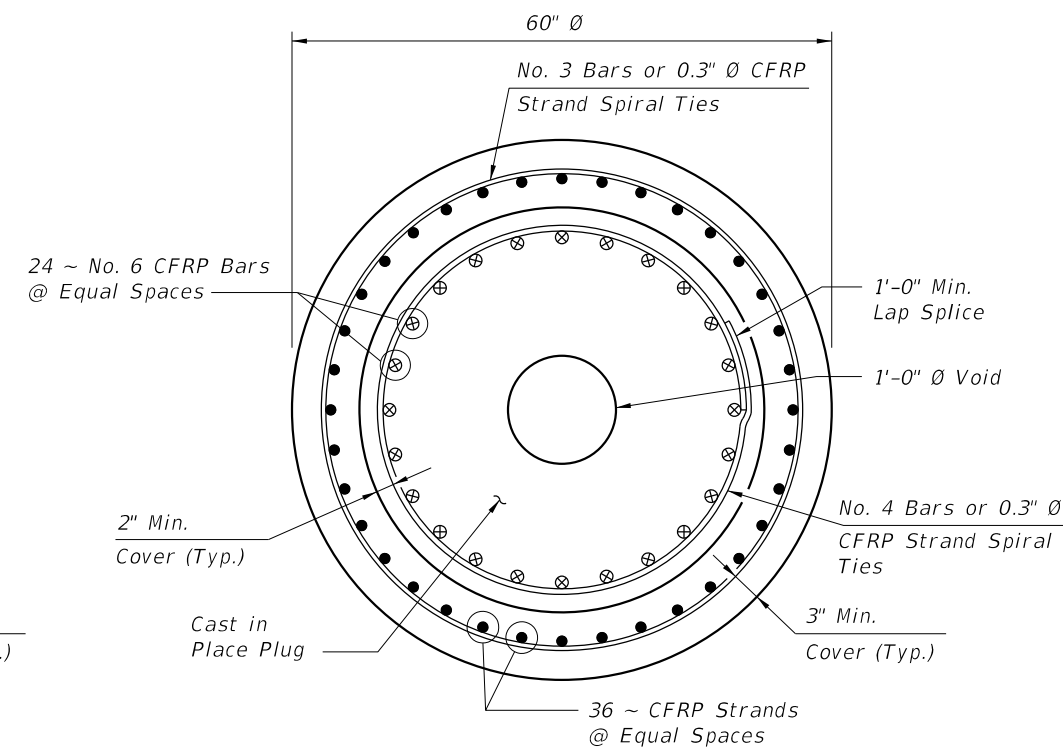
9/23/2021 8:49:21 AM



DRIVABLE UNFORESEEN FIELD SPLICE DETAIL  
(Cast in Place Plug)



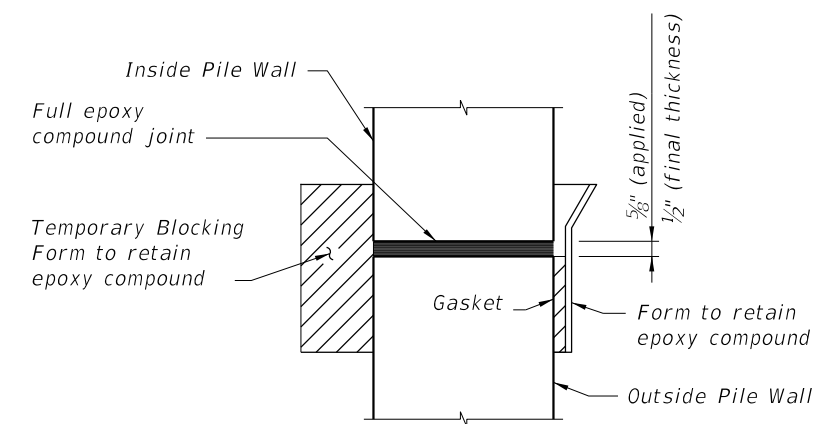
SECTION A-A



SECTION B-B

ALTERNATE STRAND PATTERNS

0.5"  $\emptyset$ , CFRP Single-Strand, at 39 kips  
0.6"  $\emptyset$ , CFRP 7-Strand, at 40 kips



DETAIL "A"

9/23/2021 8:49:22 AM

LAST REVISION 01/01/16	DESCRIPTION:
---------------------------	--------------



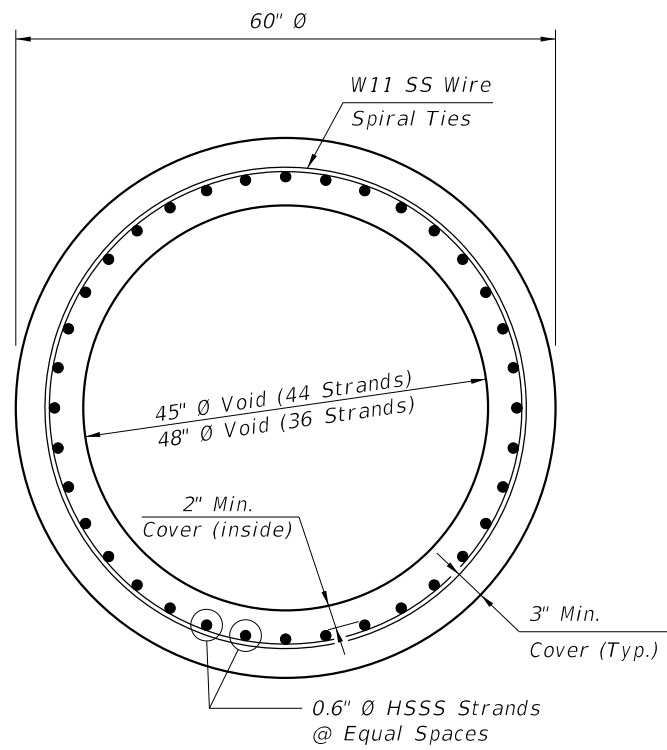
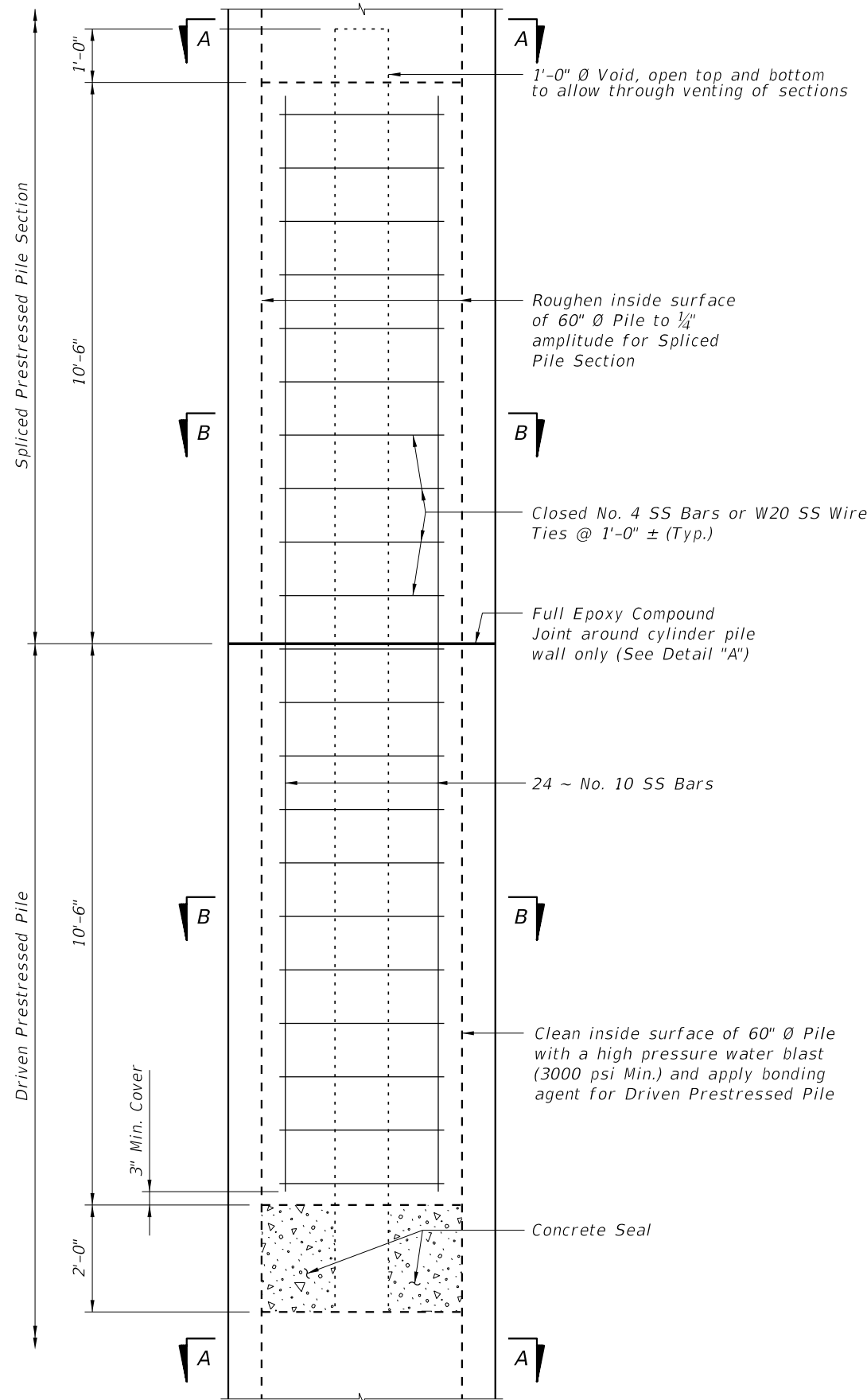
FY 2022-23  
STANDARD PLANS

60" PRESTRESSED CFRP & SS CONCRETE  
CYLINDER PILE

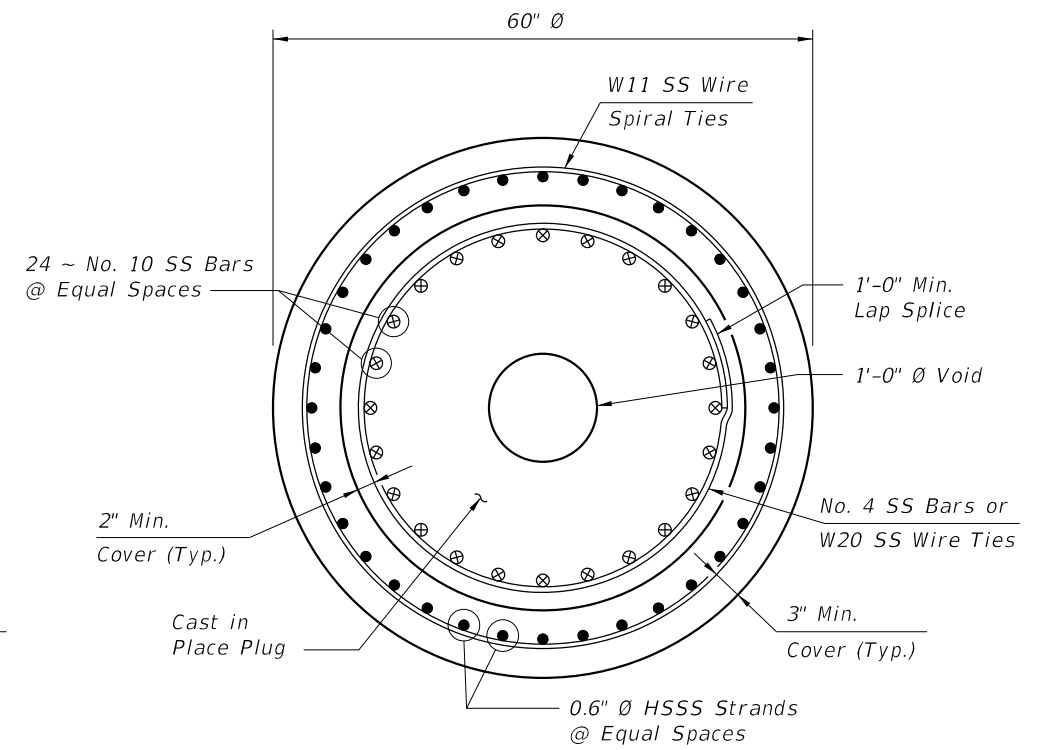
INDEX  
455-160

SHEET  
2 of 3

CFRP PRESTRESSED PILE DETAILS

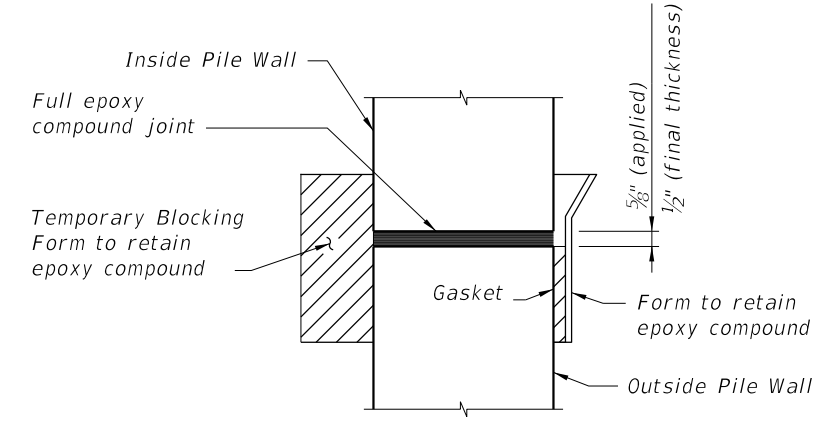


SECTION A-A



SECTION B-B

**ALTERNATE STRAND PATTERNS**  
 44 ~ 0.6" Ø, HSSS Strand, at 36 kips  
 36 ~ 0.6" Ø, HSSS Strand, at 36 kips



DETAIL "A"

DRIVABLE UNFORESEEN FIELD SPLICE DETAIL  
(Cast in Place Plug)

9/23/2021 8:49:26 AM

LAST REVISION 01/01/16	DESCRIPTION:
---------------------------	--------------