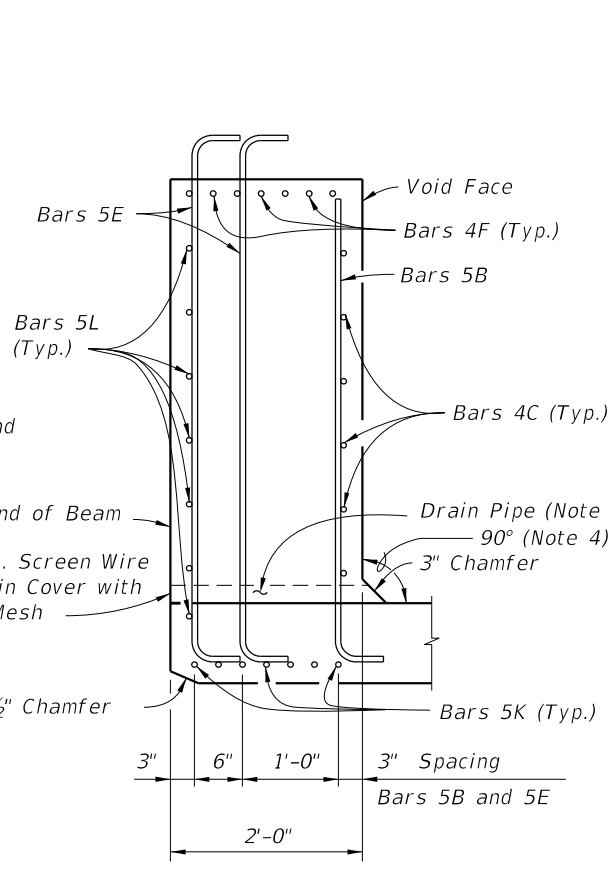
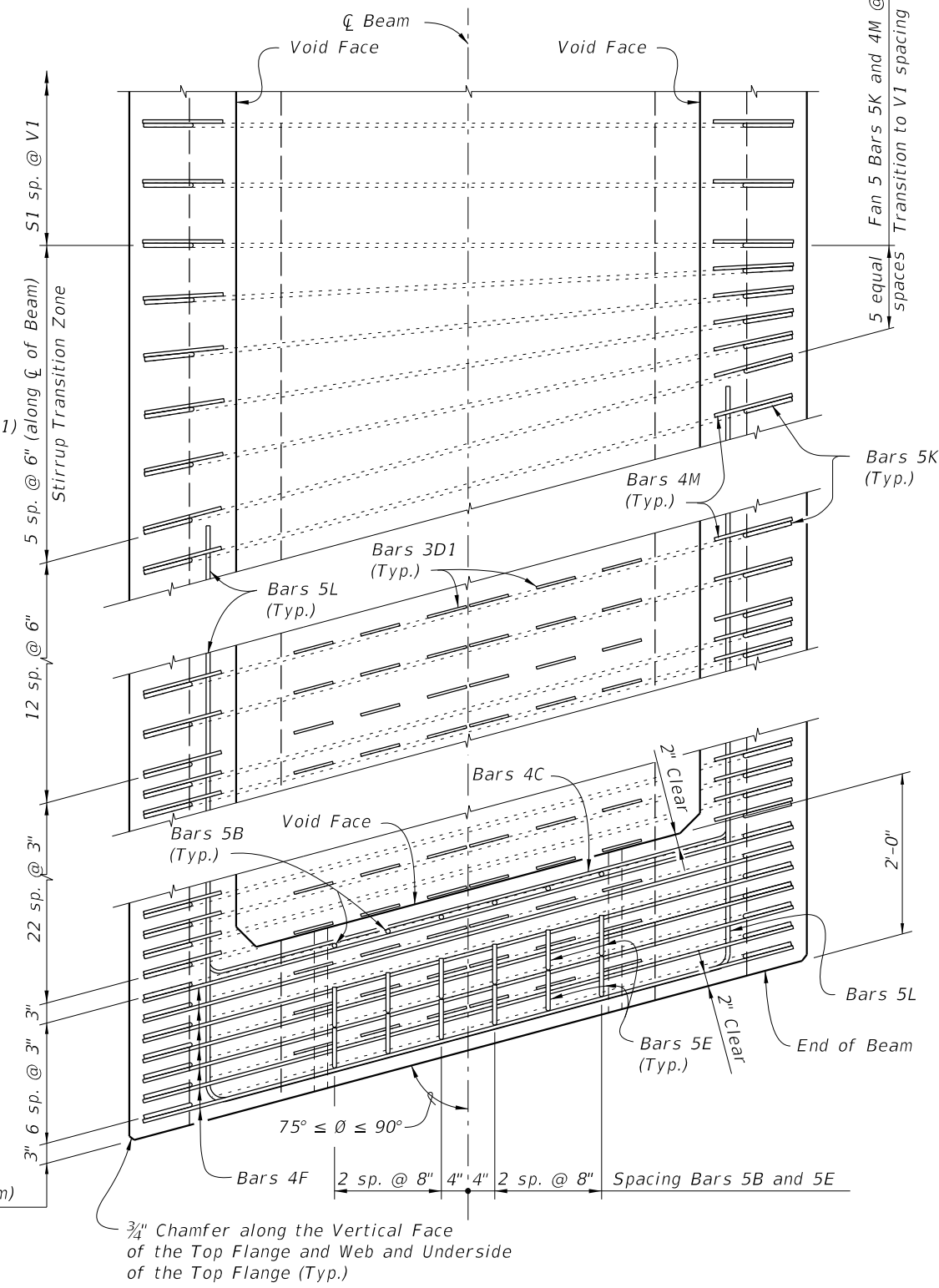


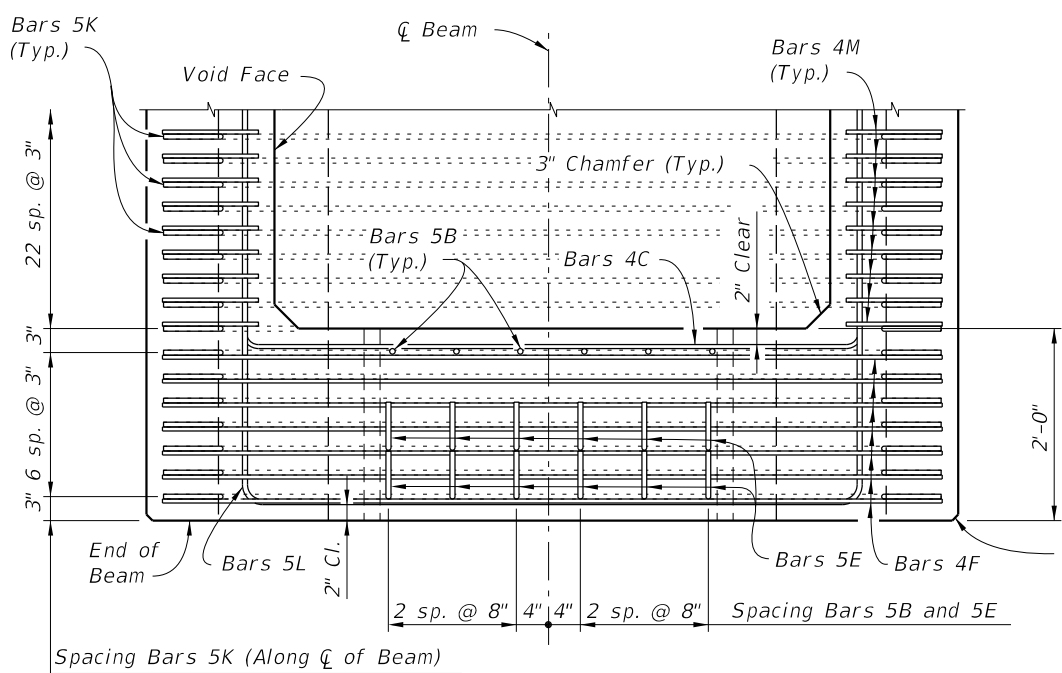
END VIEW AT END DIAPHRAGM



SECTION C-C



TOP VIEW OF SKEWED END DIAPHRAGM AND STIRRUP TRANSITION ZONE (Bars 3D2 Not Shown For Clarity)



TOP VIEW OF END DIAPHRAGM (Bars 3D1 And 3D2 Not Shown For Clarity)

Spacing Bars 5K (Along C of Beam)  
(Bars 4F and 4M are Paired with Bars 5K as shown)

3/4" Chamfer along the Vertical Face of the Top Flange and Web and Underside of the Top Flange (Typ.)

NOTES:  
For referenced note see Index 450-210.

9/23/2021 8:30:50 AM

LAST REVISION 11/01/16	DESCRIPTION:	 FY 2022-23 STANDARD PLANS	FLORIDA-U 63 BEAM - STANDARD DETAILS	INDEX 450-263	SHEET 2 of 3
---------------------------	--------------	--	--------------------------------------	------------------	-----------------

