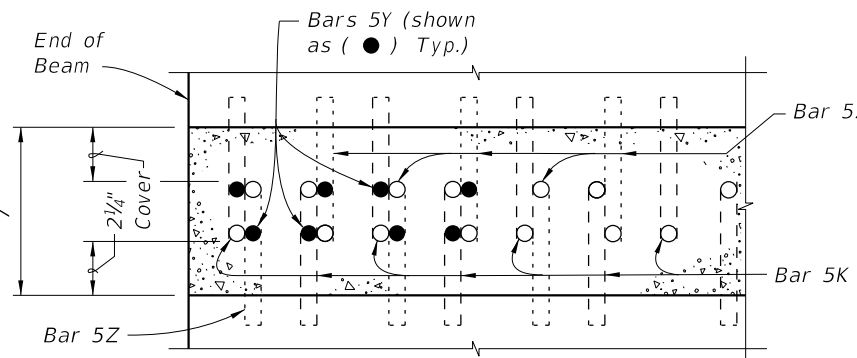
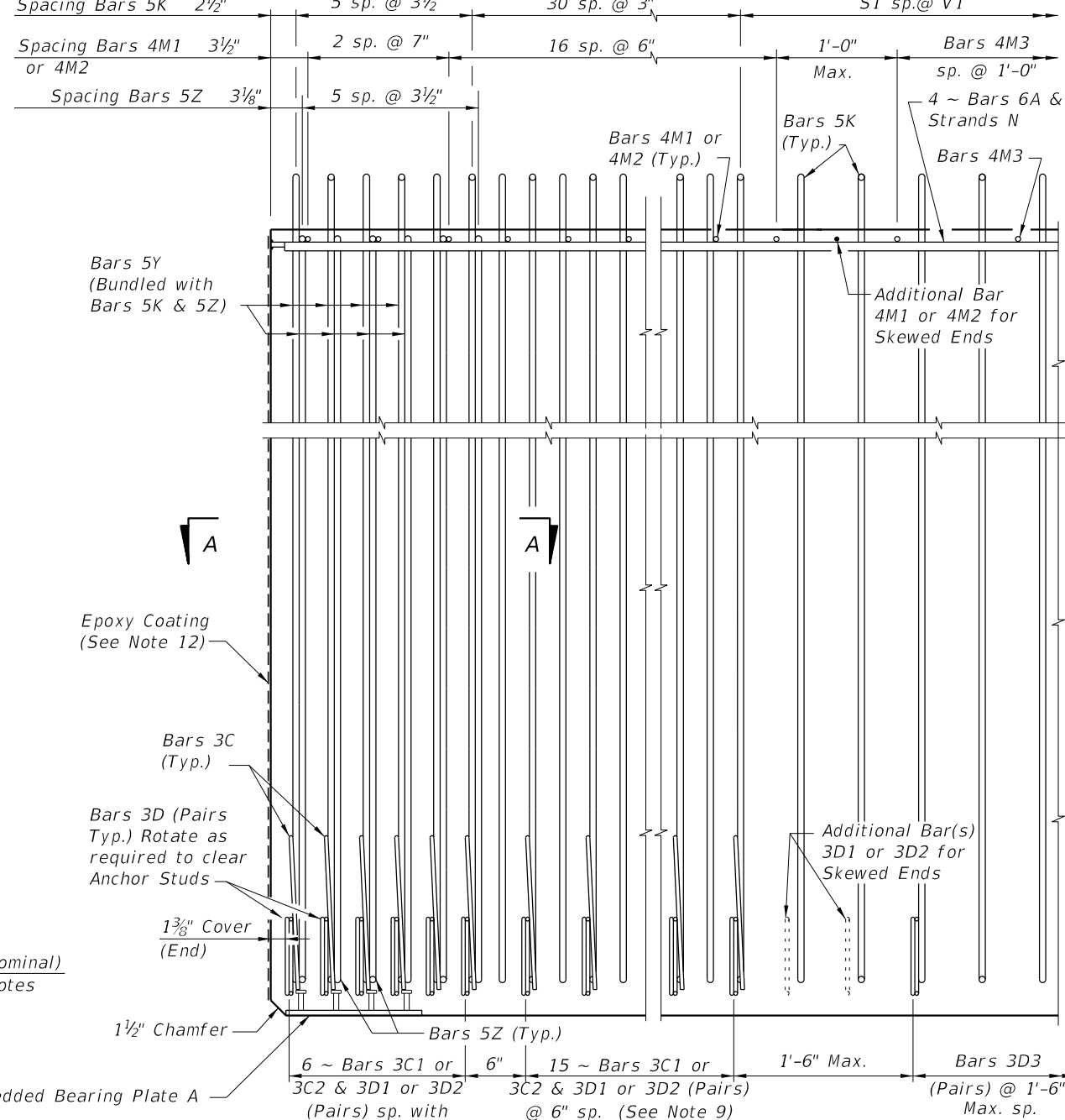


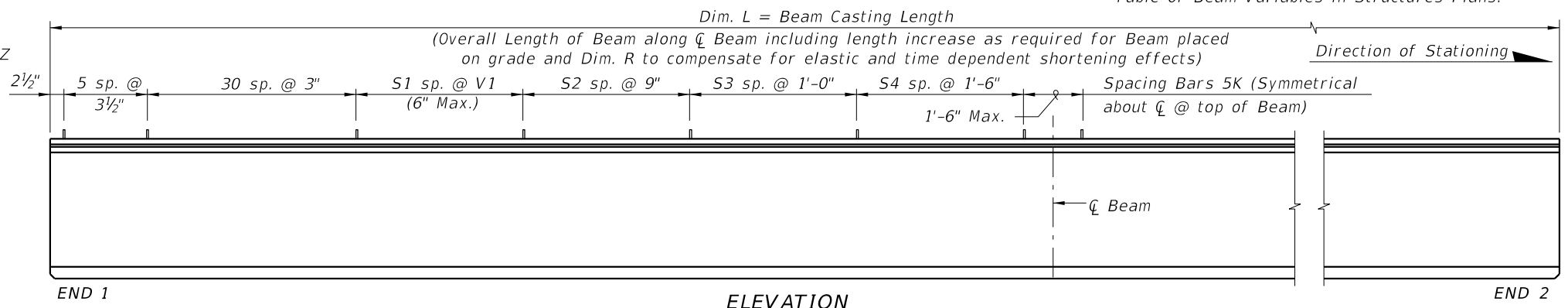
END VIEW



SECTION A-A FOR CONVENTIONAL REINFORCING (Showing Bars 5K, 5Y & 5Z Only)



ELEVATION AT END OF BEAM (Flanges Not Shown For Clarity) (End 1 Shown, End 2 Similar)



ELEVATION

CONVENTIONAL REINFORCING BAR BENDING DETAILS

BILL OF REINFORCING STEEL

MARK	NOTE NUMBERS	SIZE	NUMBER REQUIRED	LENGTH (NOTE 2)
A	—	6	8	29'-0"
C1	7, 8 & 9	3	21 (End 1)	Varies
C2	7, 8 & 9	3	21 (End 2)	Varies
D1	7, 8, 9 & 10	3	42 (End 1)	Varies
D2	7, 8, 9 & 10	3	42 (End 2)	Varies
D3	9 & 10	3	See Table	4'-3"
K	5, 6, 8, 9 & 10	5	See Table	8'-2"
M1	7 & 9	4	19 (End 1)	Varies
M2	7 & 9	4	19 (End 2)	Varies
M3	9	4	See Table	3'-8"
N	4 & 12	1/2" Ø Strand	4	Dim. L
Y	8 & 9	5	16	6'-6"
Z	5, 6, 8, 9 & 10	5	12	7'-8"

BENDING DIAGRAMS (See Note 2)

BARS 6A, 4M1, 4M2, 4M3 & 5Y

BARS 3C1 & 3C2

BARS 5K & 5Z BARS 3D1, 3D2 & 3D3

NOTES:

A. Work this Index with Index 450-010 - Typical Florida-I Beam Details and Notes and the Florida-I Beam - Table of Beam Variables in Structures Plans.

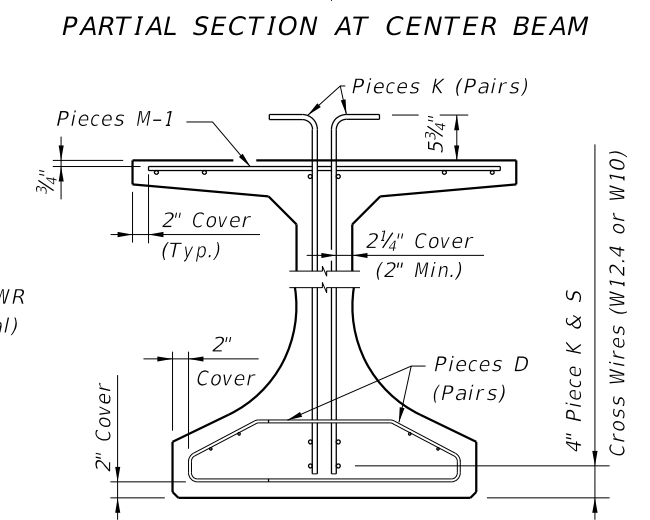
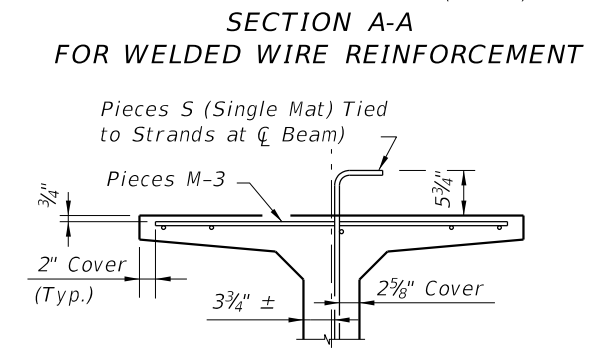
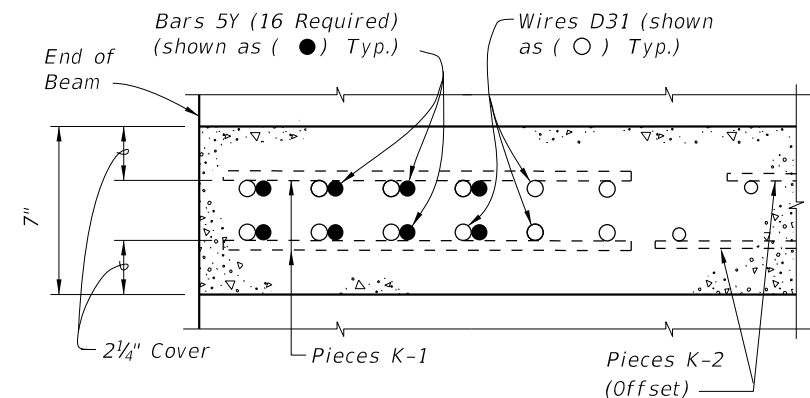
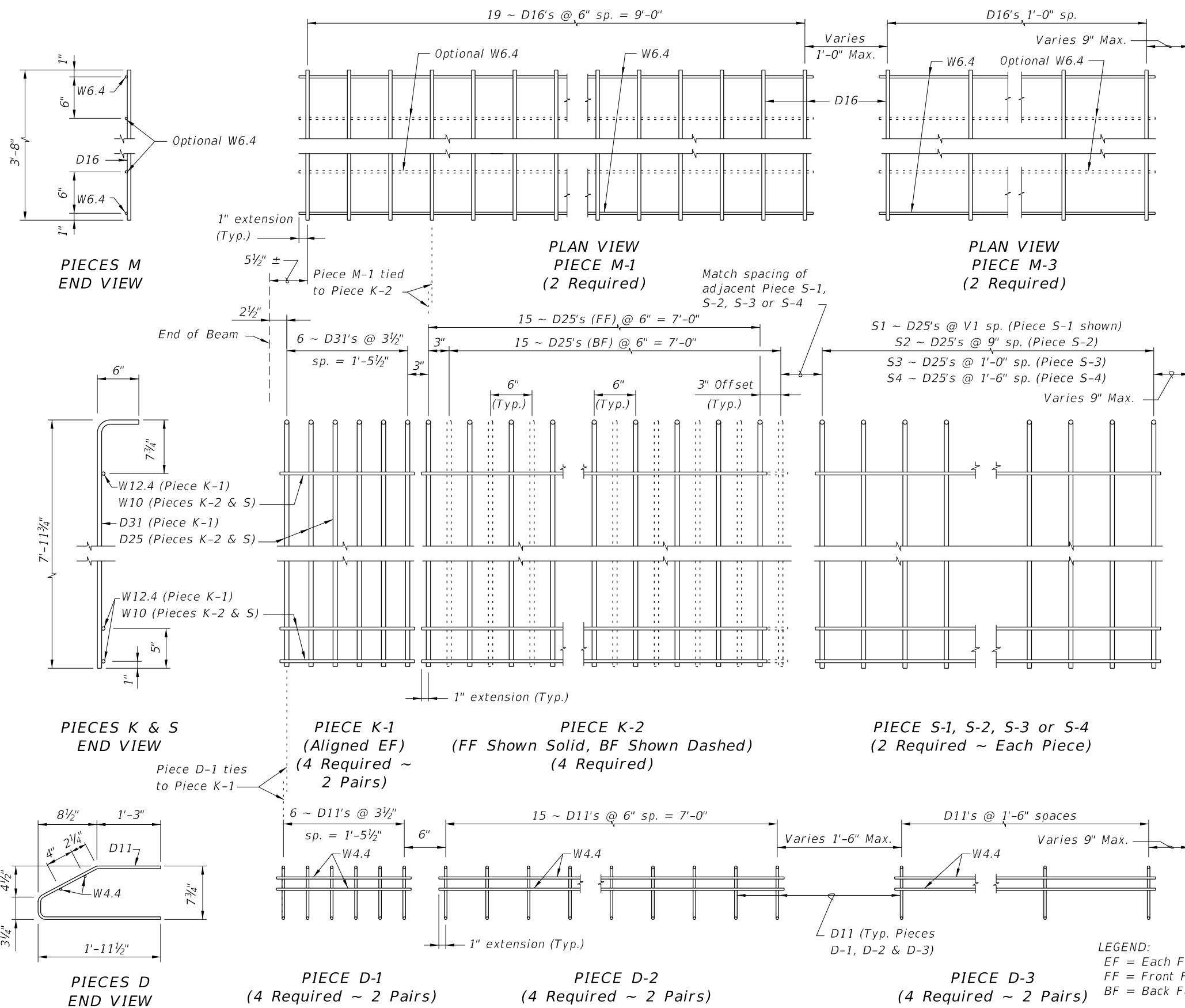
B. For referenced notes, see Index 450-010.

C. For Dimensions A, B, C, D, L, R & V1 and number of spaces S1 thru S4, see Florida-I Beam - Table of Beam Variables in Structures Plans.

9/23/2021 8:25:07 AM

LAST REVISION	11/01/19	DESCRIPTION:
---------------	----------	--------------

ALTERNATE REINFORCING STEEL (WWR) DETAILS



NOTES:
 a. See Sheet 1 for placement details & Table of Beam Variables in Structures Plans for variables S1, S2, S3, S4 & V1.
 b. Place Conventional Reinforcing Bars 6A & 3C as shown on Sheet 1. Place additional Bars 5Y as shown in Section A-A for WWR. Bars 5Z will not be used with the WWR Option.
 c. Pieces may be fabricated in multiple length sections.
 d. For beams with skewed end conditions, Pieces D-1, D-2 & M-1 shall not be used; Conventional Reinforcing Bars D1, D2, C1, C2, M1 & M2 shall be used. See Index 450-010 Skewed Beam End Details and Note 9 for placement details. Shift Pieces K & Bars 5Y to accommodate skewed end conditions and align with Bars C and D.

LEGEND:
 EF = Each Face
 FF = Front Face
 BF = Back Face

9/23/2021 8:25:10 AM

LAST REVISION 11/01/16	DESCRIPTION:  FY 2022-23 STANDARD PLANS	FLORIDA-I 84 BEAM - STANDARD DETAILS	INDEX 450-084	SHEET 2 of 2
---------------------------	---	--------------------------------------	------------------	-----------------