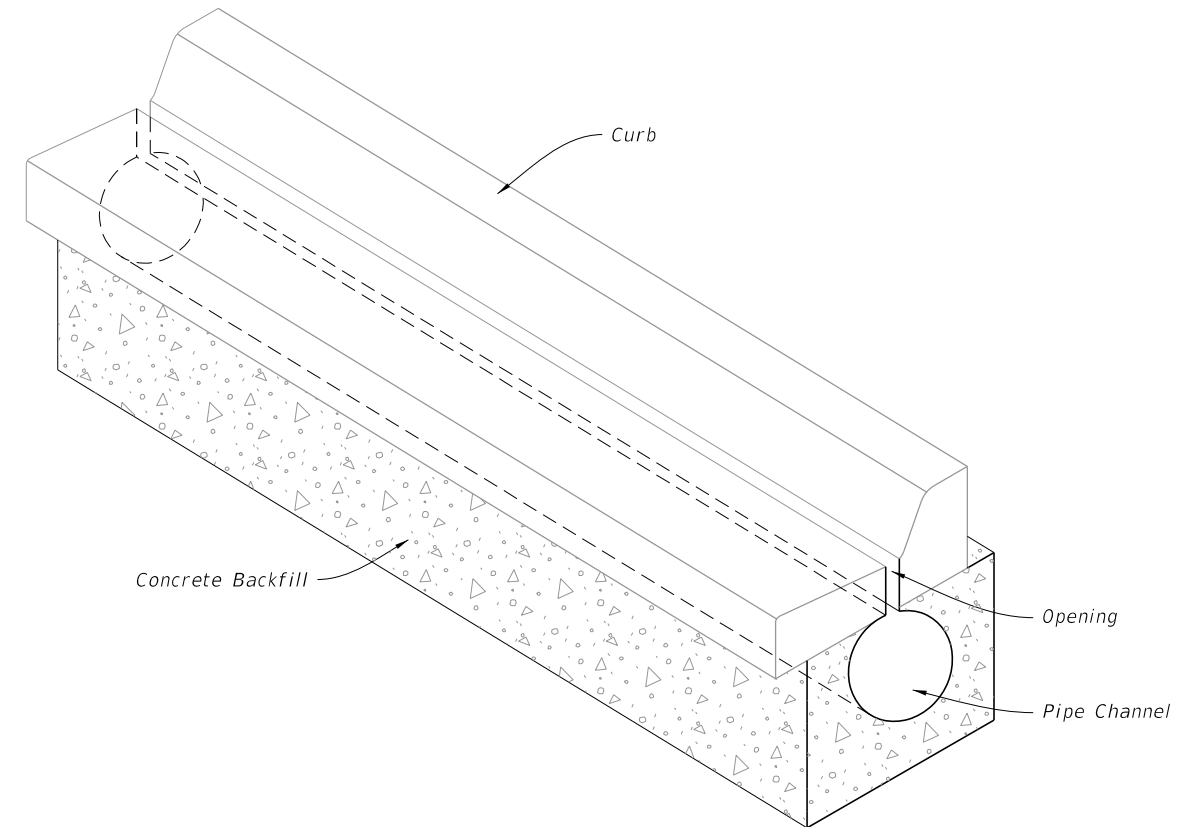


GENERAL NOTES:

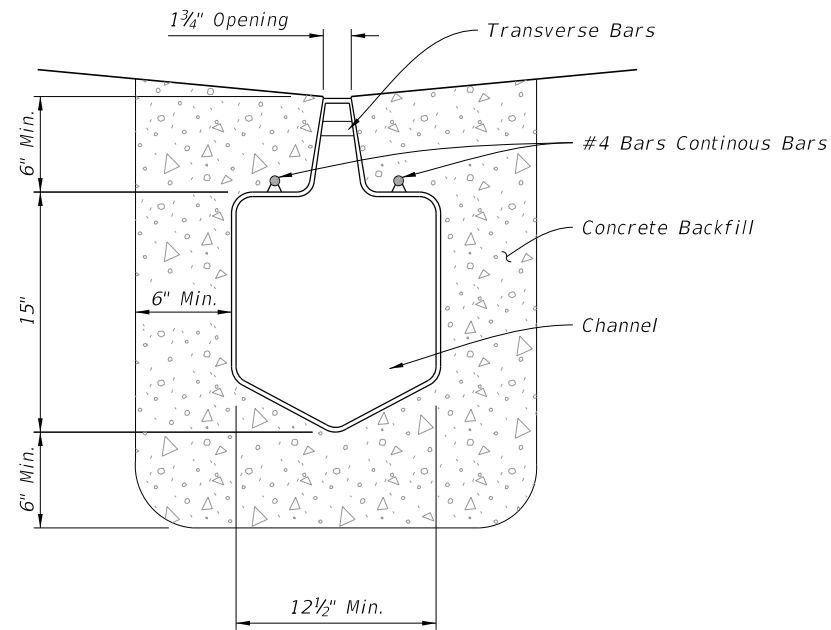
1. Install outlet pipes and preformed channel inverts with a slope of 0.6% or steeper toward the outlet regardless of the surface slope, unless shown different in the Plans.
2. Stub trench drain directly into drainage structures or install outlet pipes to connect trench drain to drainage structures.
3. Provide a cleanout port compatible with the manufactured system for Type I drains at the upstream end and at intervals of 50 feet maximum. Provide a cleanout port with an opening of 6" to 10" wide (transverse to the trench drain length) and 18" to 24" long. Form curbs or separators around the cleanout when cleanouts are placed adjacent to raised curb or separator. Install the cleanout with a removable load resistant cover or grate.
4. Excavate trench to allow for a minimum of 6" of concrete to be placed under and alongside the trench drain channel system. Install concrete backfill in accordance with Specification 347. Install concrete backfill extending a minimum of 6" past the end of the drain opening at the end of all Type I or II units.
5. Install transverse bars spaced 4" to 6" on center for Type I Trench Drain.

TABLE OF CONTENTS:	
Sheet	Description
1	General Notes and Contents
2	Type I - Nonremovable Grate
3	Type II - Removable Grate

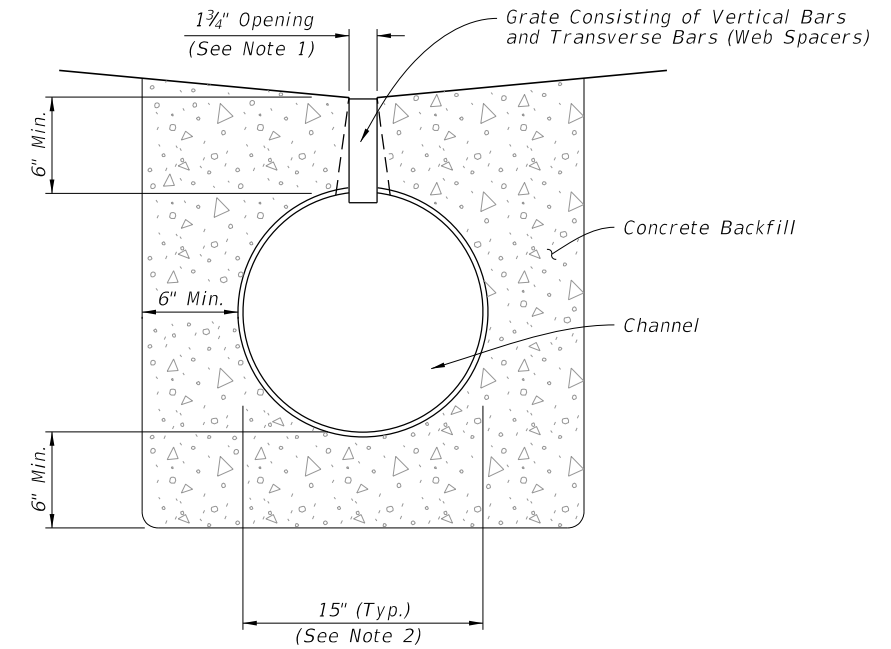


=====**TRENCH DRAIN ASSEMBLY**=====

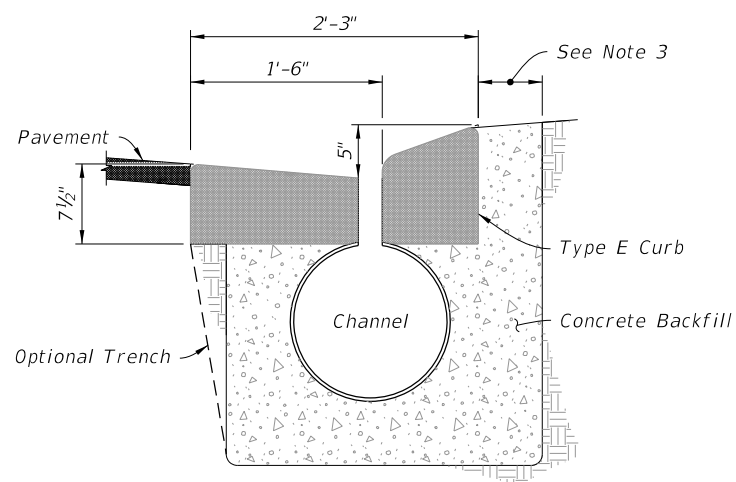
9/21/2021 1:39:11 PM



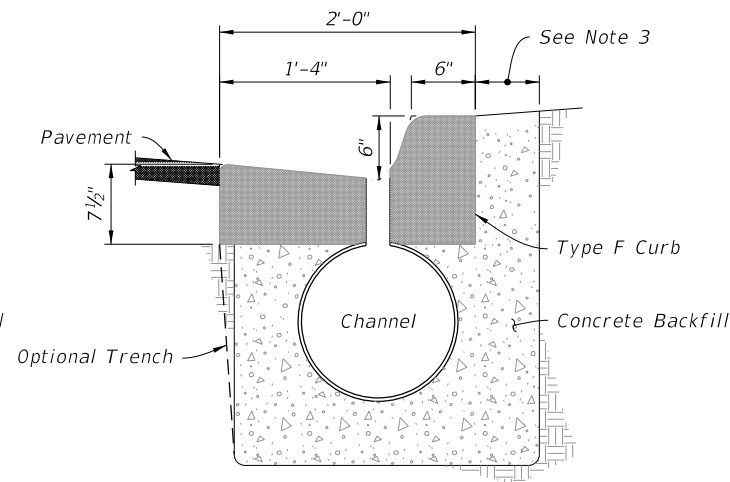
PREFORMED POLYETHYLENE CHANNEL



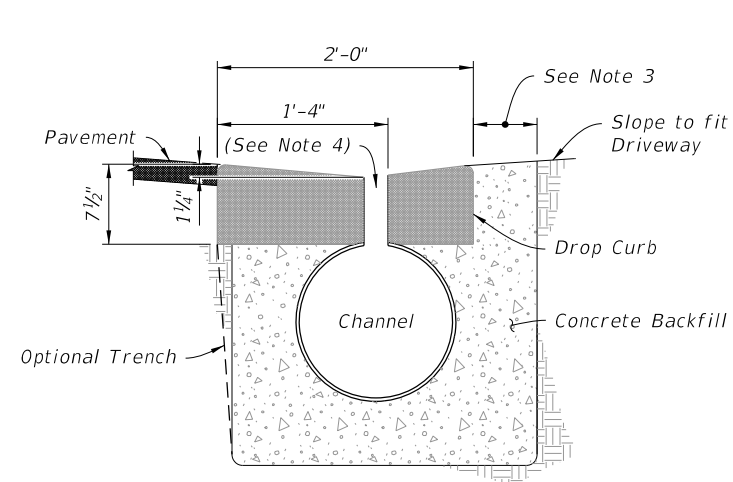
ROUND PIPE CHANNEL



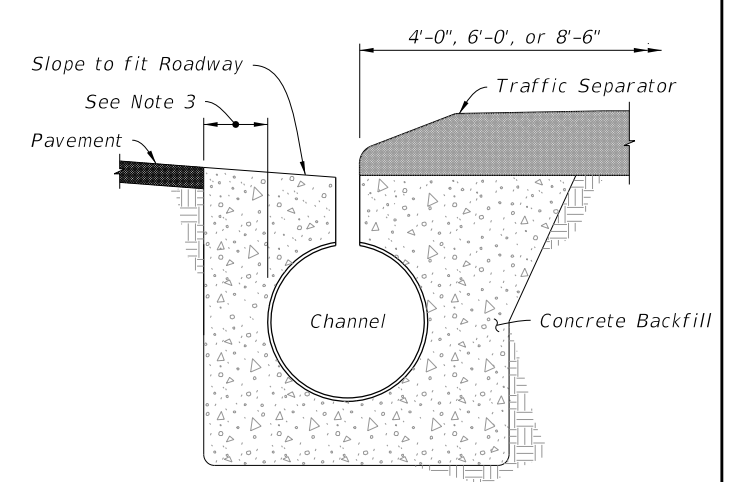
WITHIN TYPE E CURB



WITHIN TYPE F CURB



WITHIN DROP CURB



ADJACENT TO TRAFFIC SEPARATOR

TYPICAL LOCATIONS

(Round Channel Shown, Preformed Polyethylene Similar)

NOTES:

1. Opening for fixed height grates. Opening at the pipe can be 3".
2. The Round Pipe Channel is 15" in diameter, unless otherwise shown in the Plans.
3. Provide a minimum 6" concrete on this side of the drain.
4. Install grates on preformed polyethylene channel at driveways.

TYPE I - NONREMOVABLE GRATE

9/21/2021 1:39:12 PM

LAST REVISION	DESCRIPTION:
11/01/19	

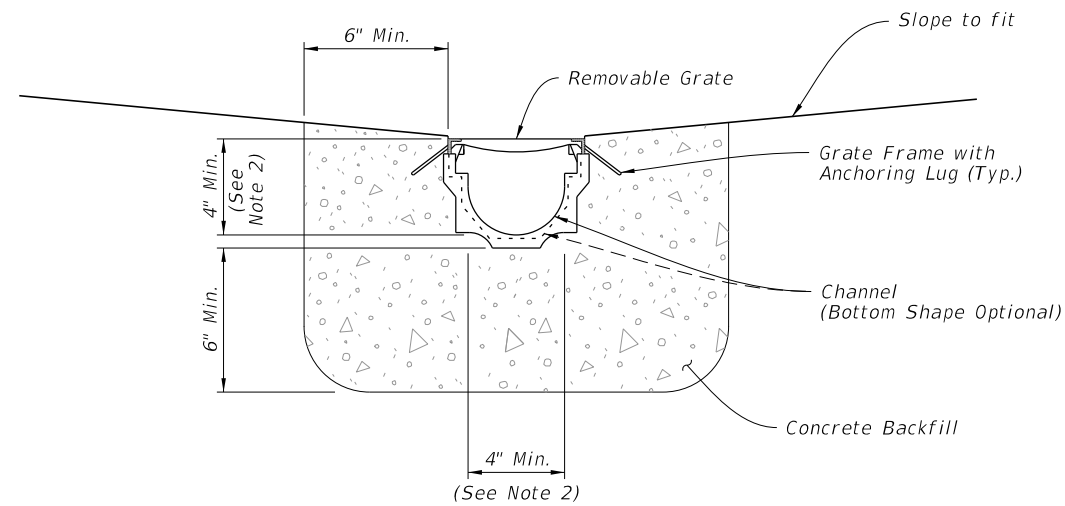


FY 2022-23
STANDARD PLANS

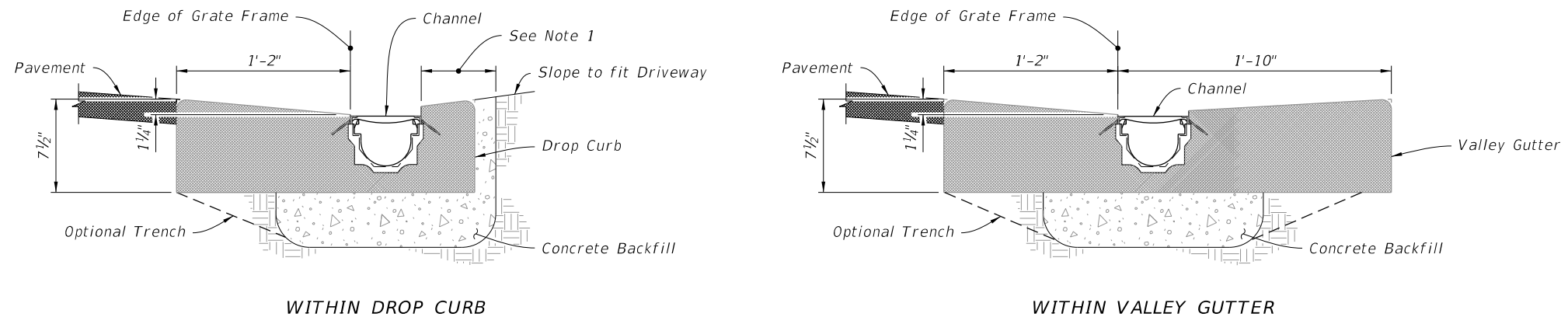
TRENCH DRAIN

INDEX
436-001

SHEET
2 of 3



PREFORMED CHANNEL WITH REMOVABLE GRATE




TYPICAL LOCATIONS

NOTES:

1. Provide minimum 6" of concrete on this side of the drain.
2. 4" Minimum unless otherwise shown in Plans.

9/21/2021 1:39:14 PM

TYPE II - REMOVABLE GRATE

LAST REVISION 11/01/19	REVISION	DESCRIPTION:	 FY 2022-23 STANDARD PLANS	TRENCH DRAIN	INDEX 436-001	SHEET 3 of 3
---------------------------	----------	--------------	---	---------------------	-------------------------	------------------------