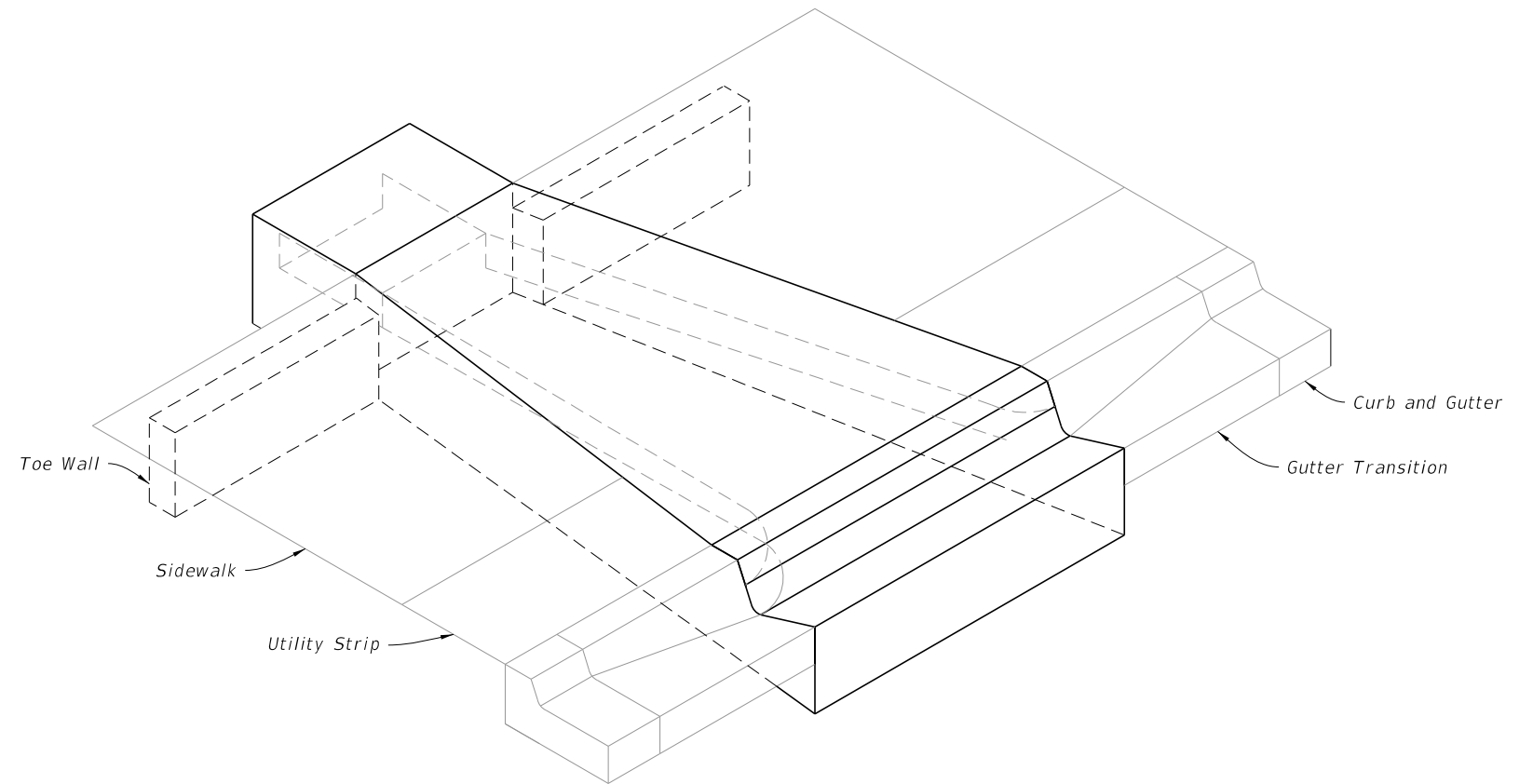


GENERAL NOTES:

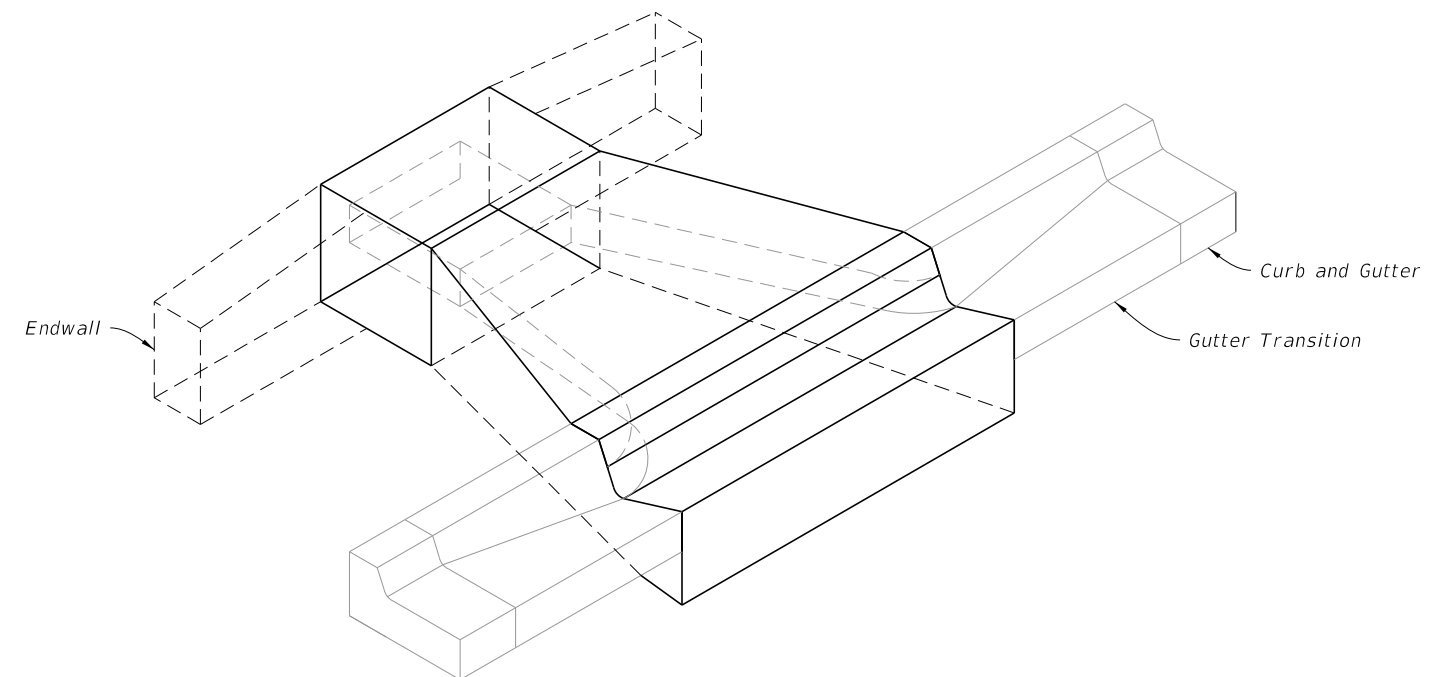
1. The finished grade and slope of the inlet top are to conform with the finished cross slope and grade of the proposed sidewalk and/or border.
2. When inlets are to be constructed on a curve, refer to the plans to determine the radius. Bend steel when necessary.
3. Inlets can be either cast-in-place or precast concrete. Chamfer all exposed edges $\frac{3}{4}$ ".
4. All reinforcement is ASTM A615/A615M Grade 60 steel, either smooth or deformed with a 2" minimum cover, unless otherwise shown. Equivalent area grade 40 steel or 65 ksi welded wire fabric may be substituted.



TYPE I CLOSED FLUME INLET WITH SIDEWALK

Single Barrel Flume Shown

TABLE OF CONTENTS:	
Sheet	Description
1	General Notes and Contents
2	Type-I Dimensional Details
3	Reinforce Details
4	Type-II Dimensional Details
5	Multiple Barrel Flumes



TYPE II CLOSED FLUME INLET WITHOUT SIDEWALK

Single Barrel Flume Shown

9/21/2021 1:27:13 PM

LAST REVISION	DESCRIPTION:
11/01/20	

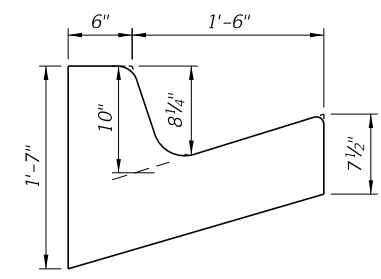
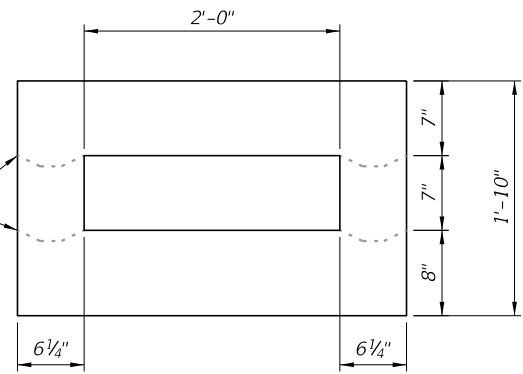
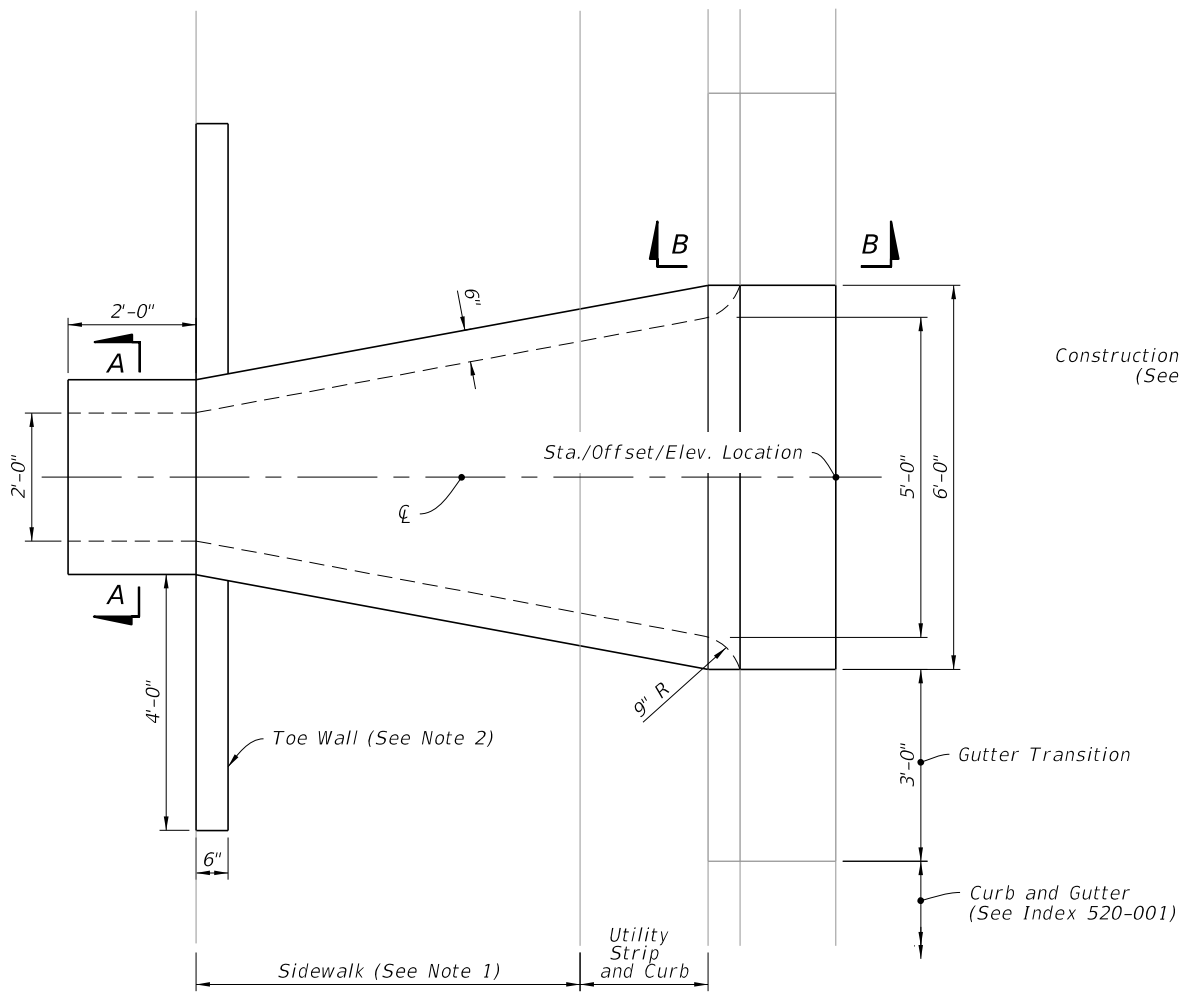


FY 2022-23
STANDARD PLANS

CLOSED FLUME INLET

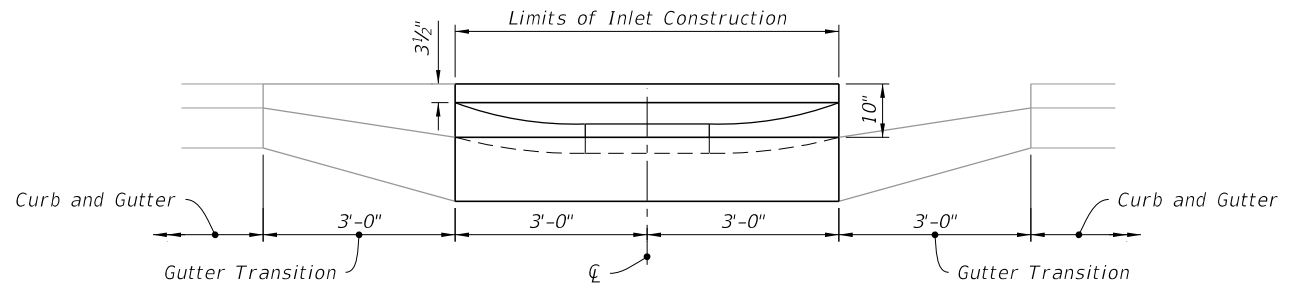
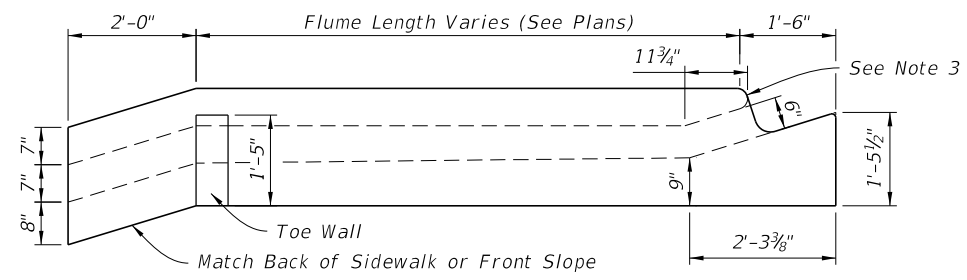
INDEX
425-061

SHEET
1 of 5



NOTES:

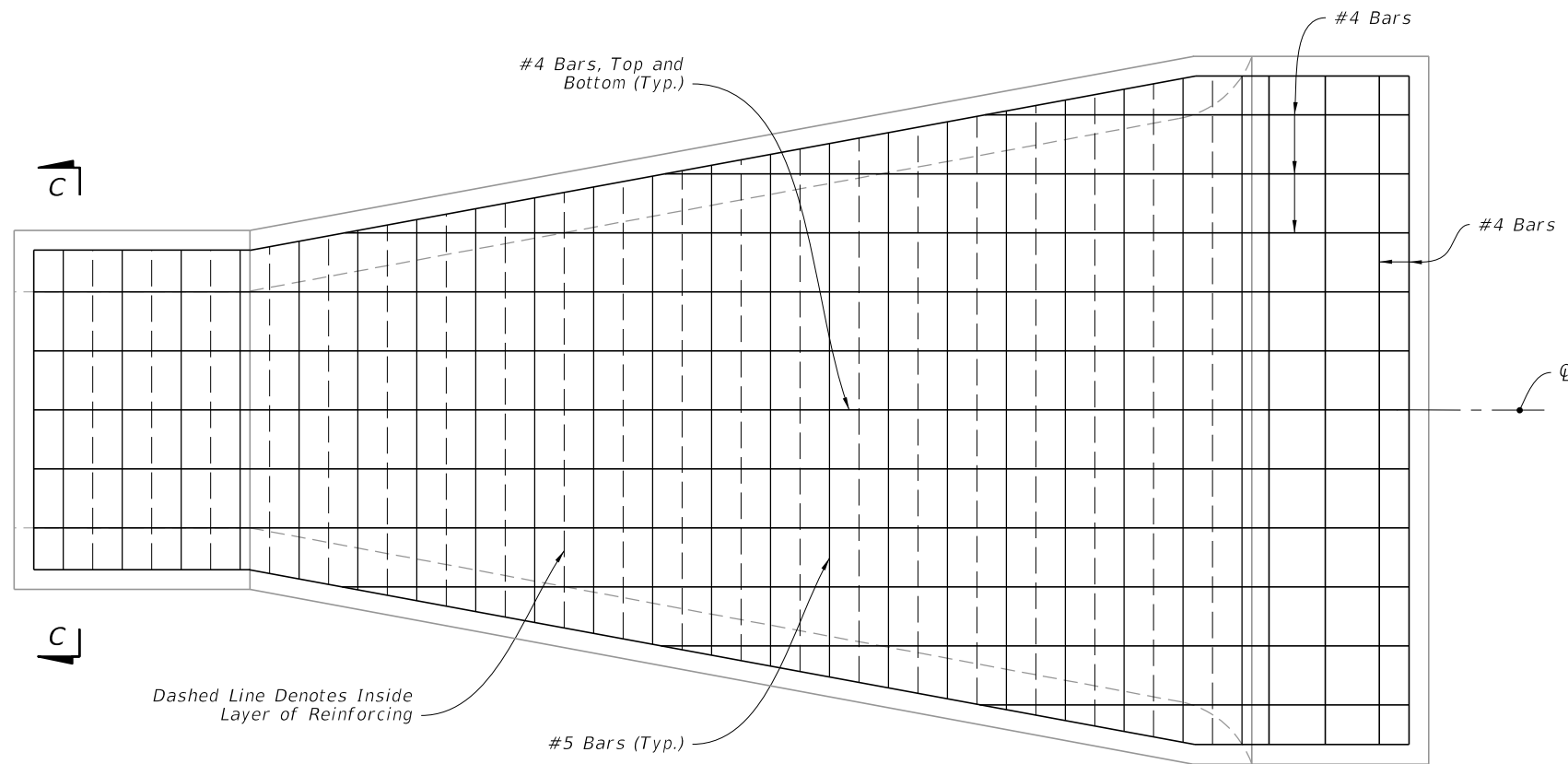
1. Use sloped section with sidewalk applications only.
2. Use Toe Walls with Sidewalk application only. For Endwall without Sidewalk see DETAILS on Sheet 4.
3. Slope to match adjacent curb with 2" top radius and 1 1/4" bottom radius.
4. See Sheet 5 for multiple barrel flumes span variation.



9/21/2021 1:27:14 PM

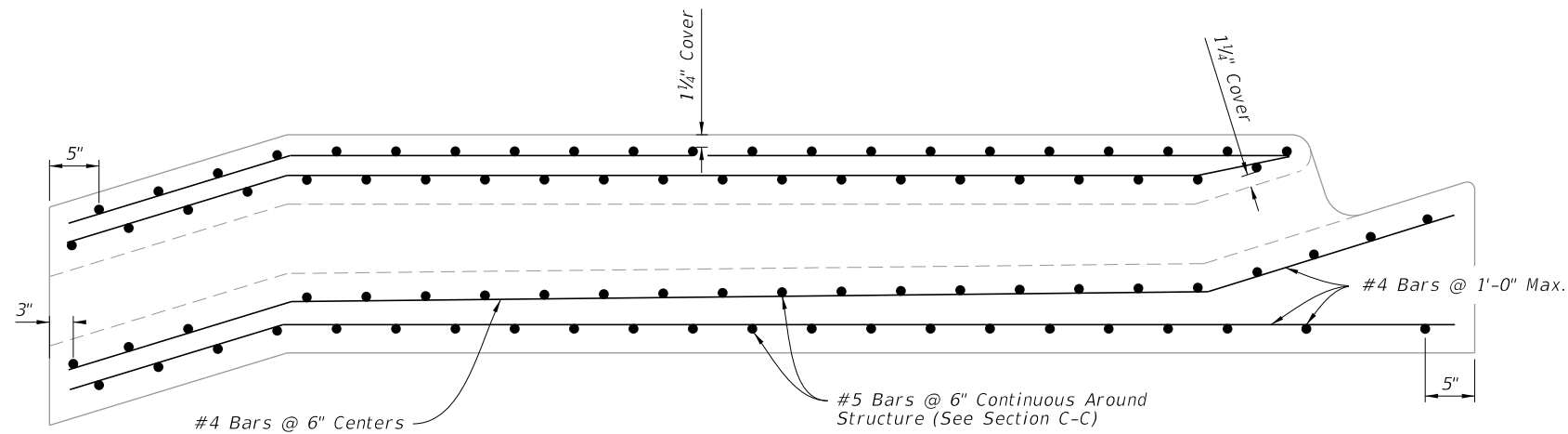
TYPE-I DIMENSIONAL DETAILS

LAST REVISION 11/01/21	REVISION	DESCRIPTION:		FY 2022-23 STANDARD PLANS	CLOSED FLUME INLET	INDEX 425-061	SHEET 2 of 5
---------------------------	----------	--------------	--	------------------------------	--------------------	------------------	-----------------

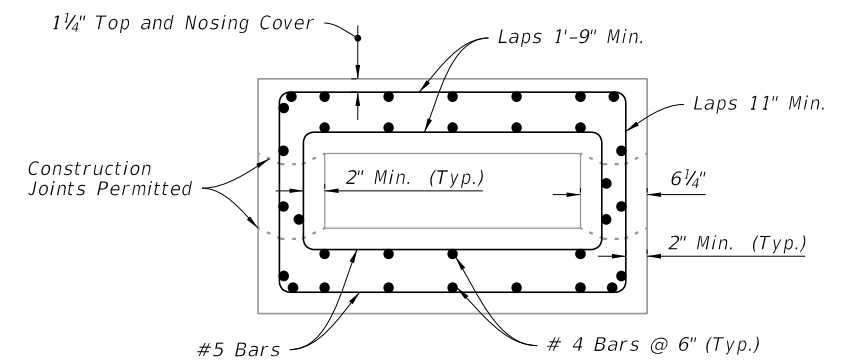


PLAN

NOTE:
Type I Closed Flume Inlet shown, Type II Closed Flume Inlet Similar.



SIDE ELEVATION



SECTION C-C

9/21/2021 1:27:14 PM

LAST REVISION 11/01/20	REVISION	DESCRIPTION:
---------------------------	----------	--------------



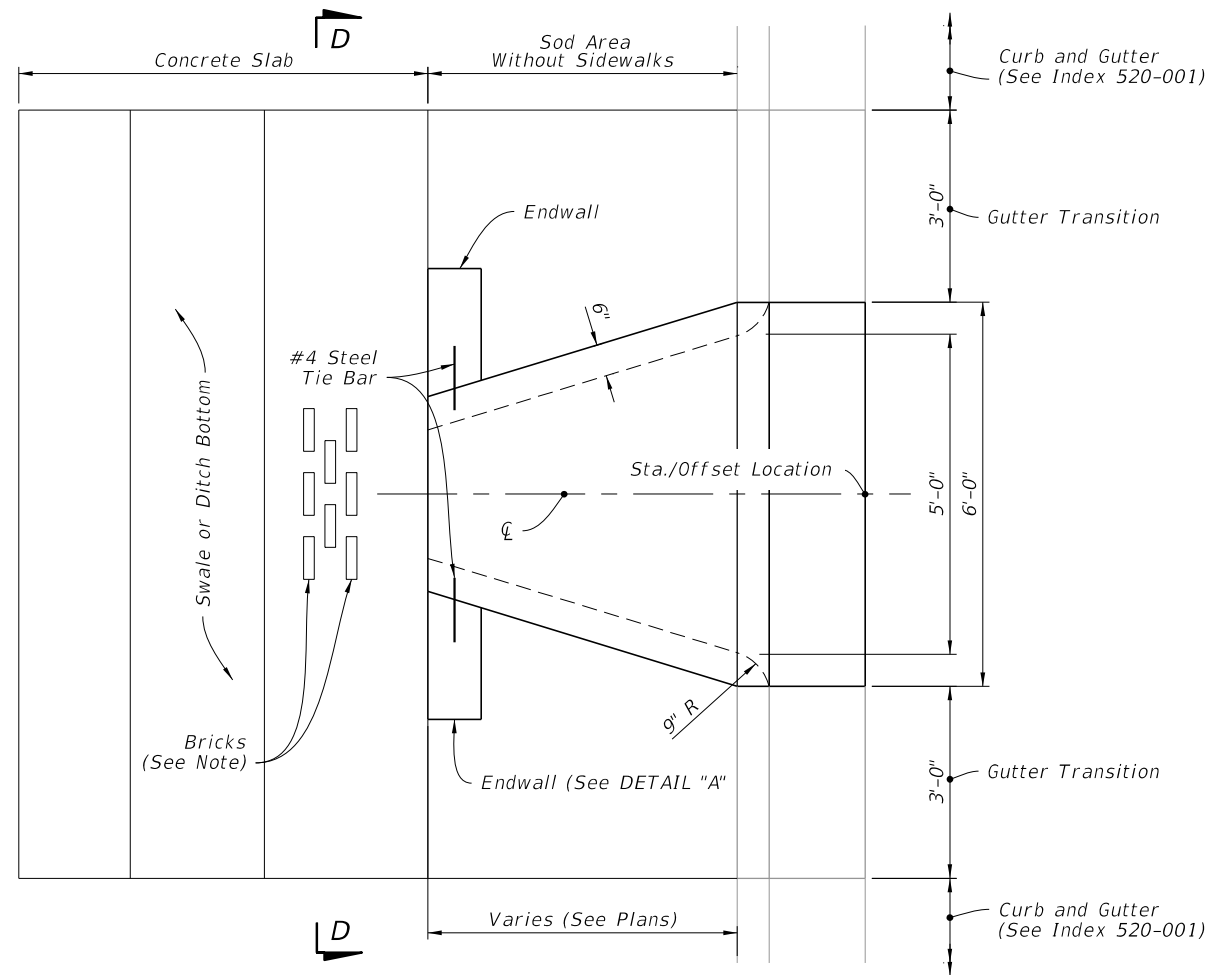
FY 2022-23
STANDARD PLANS

CLOSED FLUME INLET

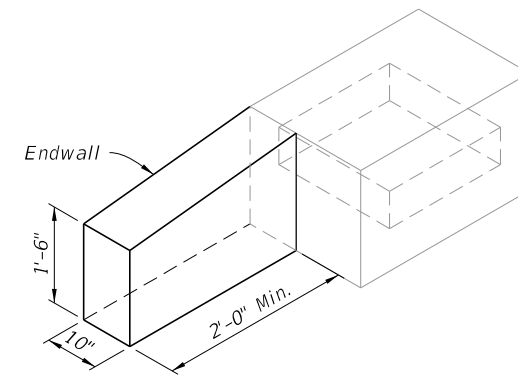
REINFORCING DETAILS

INDEX
425-061

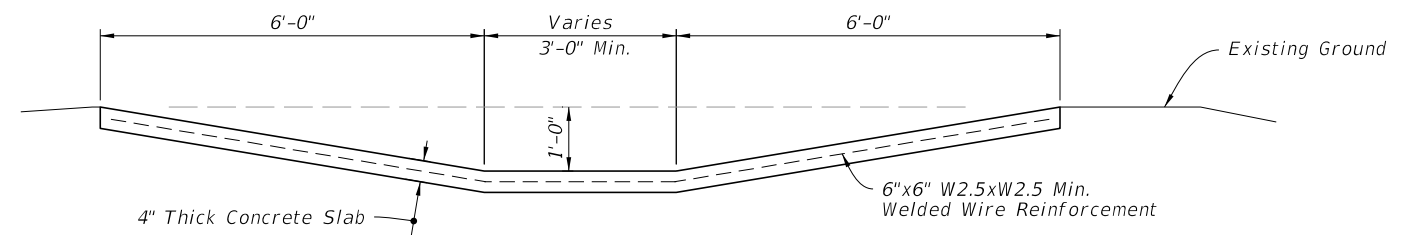
SHEET
3 of 5



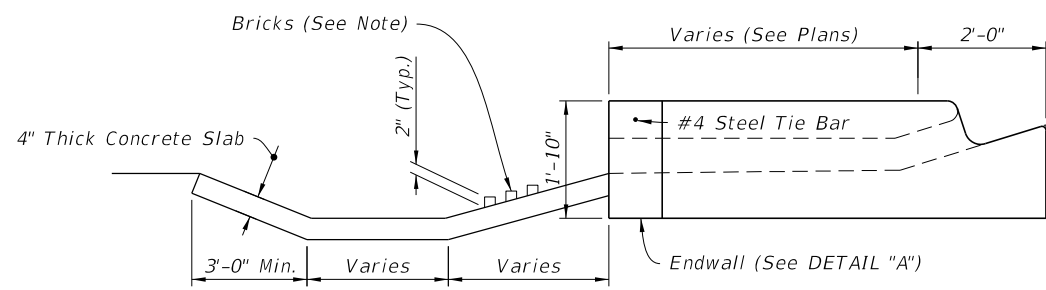
PLAN



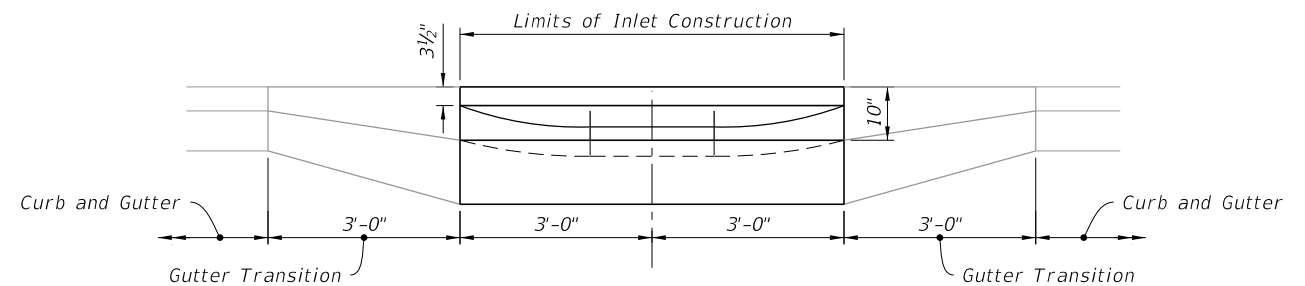
DETAIL "A"



SECTION D-D



SIDE ELEVATION



FRONT ELEVATION

NOTE:
When called for in the Plans, install bricks to dissipate energy.

TYPE II DIMENSIONAL DETAILS

9/21/2021 1:27:15 PM

LAST REVISION 11/01/20	REVISION	DESCRIPTION:
---------------------------	----------	--------------

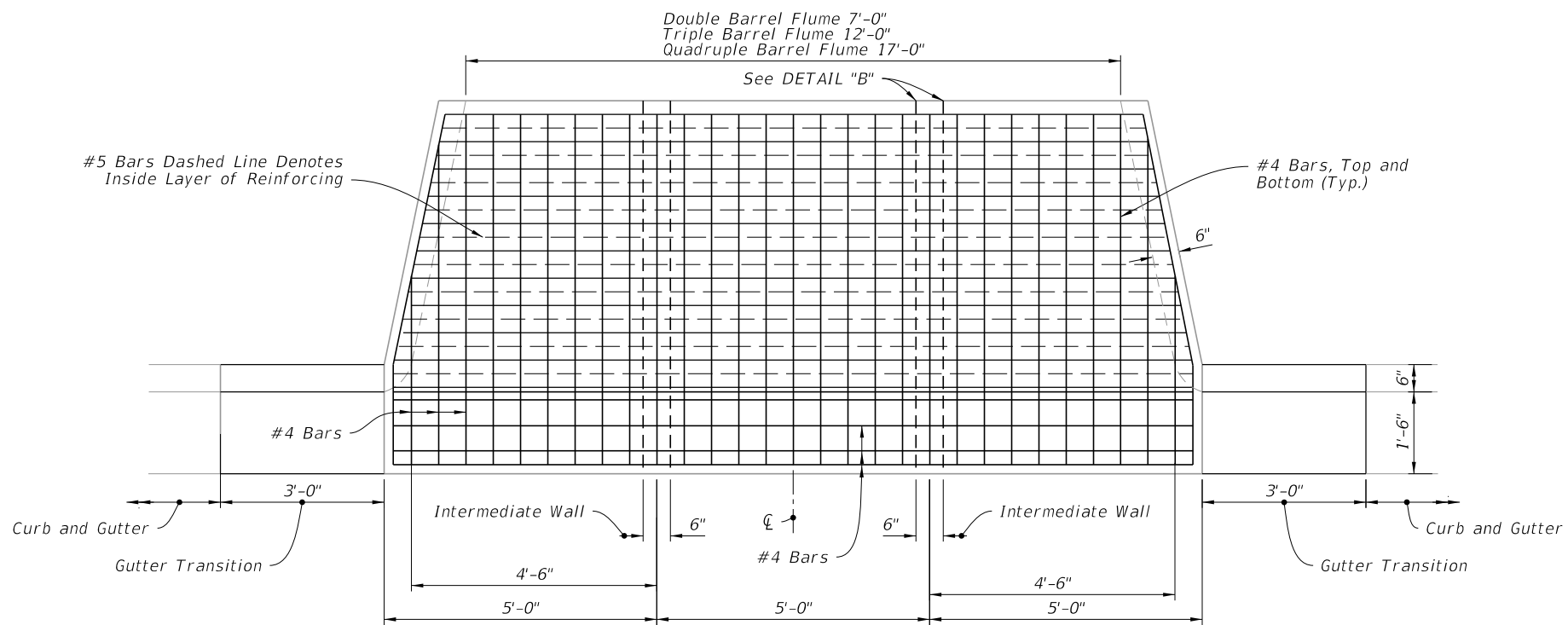


FY 2022-23
STANDARD PLANS

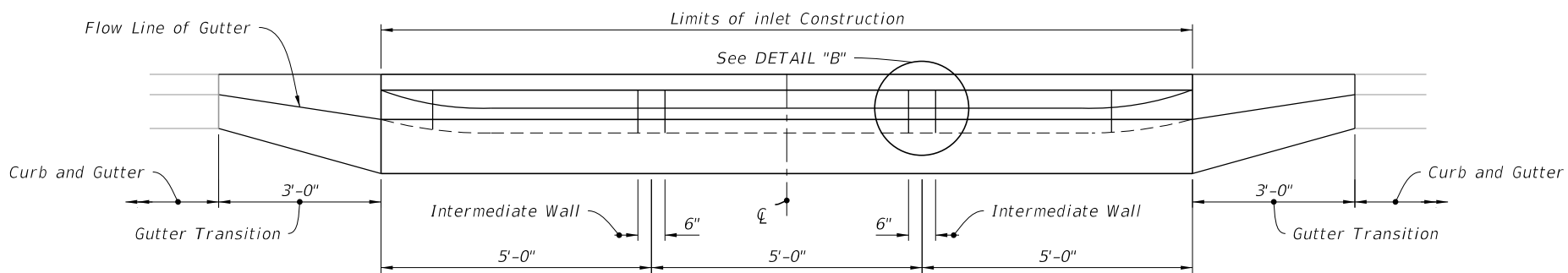
CLOSED FLUME INLET

INDEX
425-061

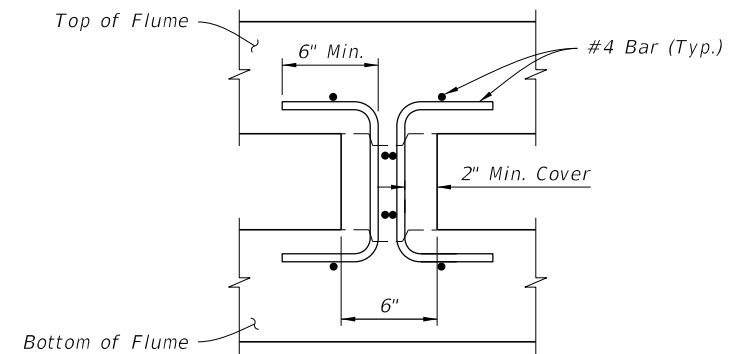
SHEET
4 of 5



PLAN



FRONT ELEVATION



Intermediate Wall Reinforcing
DETAIL "B"

NOTE:

Triple barrel flume shown, double and quadruple similar.

9/21/2021 1:27:16 PM

LAST REVISION 11/01/20	REVISION	DESCRIPTION:
---------------------------	----------	--------------



FY 2022-23
STANDARD PLANS

CLOSED FLUME INLET

INDEX
425-061

SHEET
5 of 5

MULTIPLE BARREL FLUMES