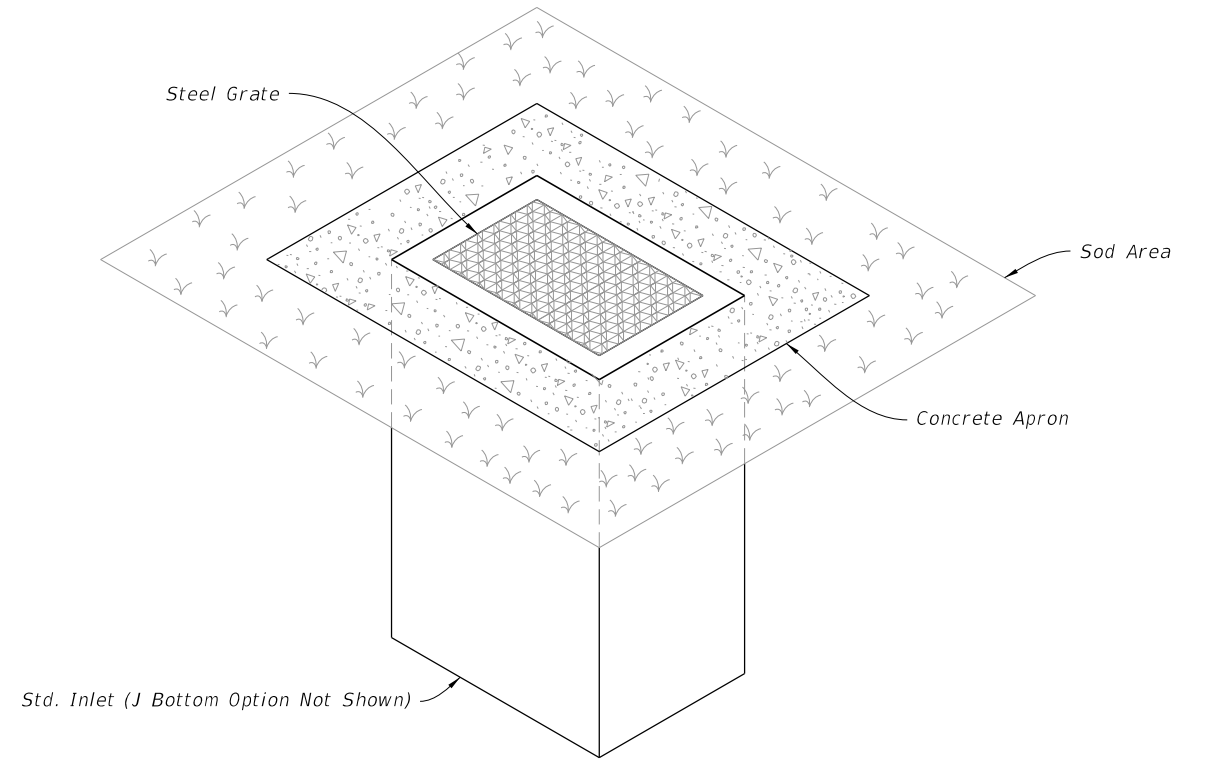


GENERAL NOTES:

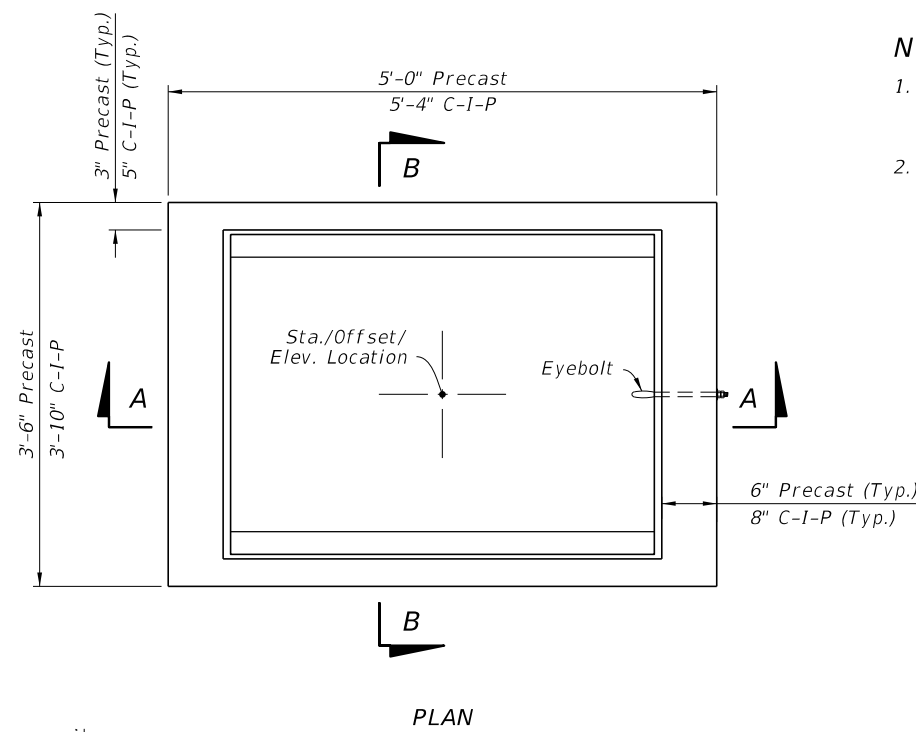
1. Work this Index with Index 425-001 and Index 425-010.
2. When inlet is placed in areas subject to bicycle traffic, install filler bar when clearance or gap is greater than $\frac{3}{8}$ " as shown in Index 425-031.
3. These inlets may be used with Alternate B structure bottoms, Index 425-010.
4. Chamfer all exposed edges and corners $\frac{3}{4}$ " chamfer or tooled to $\frac{1}{4}$ " radius.
5. See Index for supplemental details.
6. Reinforcing bars are Grade 60 with 2" minimum cover unless otherwise noted. Cut or bend bars to provide $1\frac{1}{2}$ " clearance around pipe opening. Provide one additional #4 bar above and at each side of pipe opening as shown.
7. Dimensions are for both precast and cast-in-place inlets unless otherwise noted.
8. Quantities are for informational and estimating purposes only.



===== **DITCH BOTTOM INLET TYPE F** =====
 (Type G Similar, Pipe Connection Not Shown)

TABLE OF CONTENTS:	
<i>Sheet</i>	<i>Description</i>
1	General Notes and Contents
2	Type F - Dimensional, Reinforcing, and Grate Details
3	Type G - Dimensional, Reinforcing, and Grate Details
4	Concrete Apron and Sodded Area Details

9/21/2021 1:23:40 PM



NOTES:

1. The Grate, Concrete Apron, and Sod not shown on Inlet PLAN view. See Sheet 4 for Concrete Apron and Sodded Area details.
2. Construction joints permitted between these limits. See Index 425-001 for minimum dimensions.

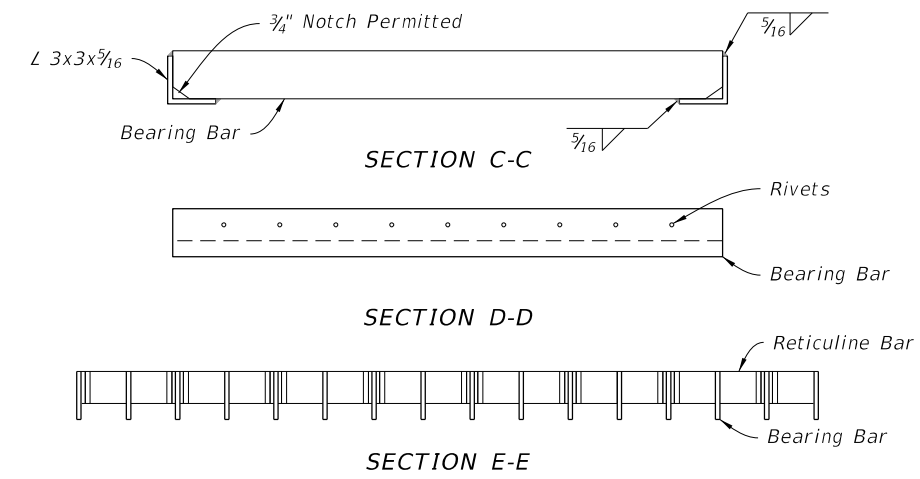
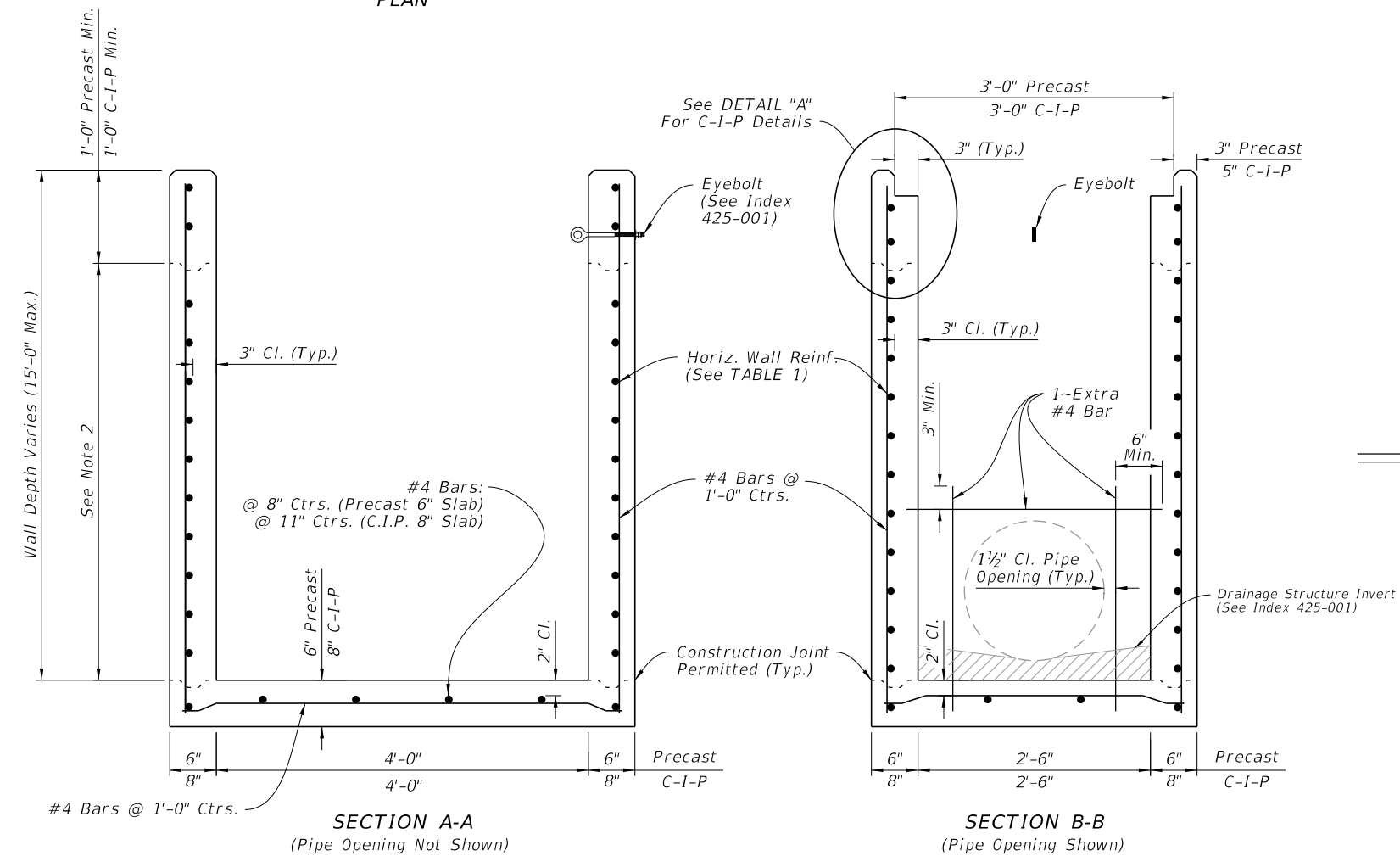
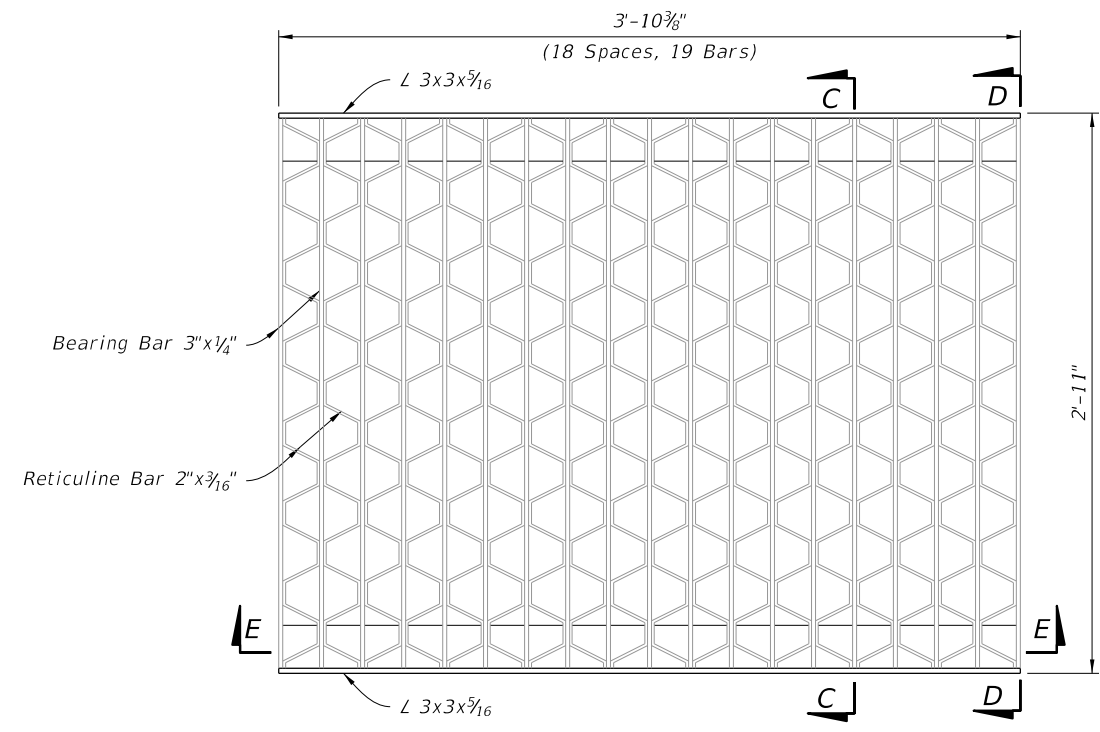
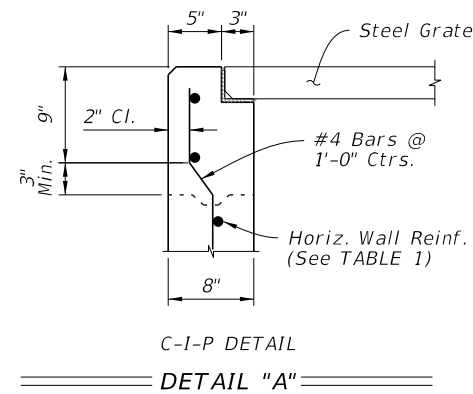


TABLE 1
HORIZONTAL WALL REINFORCING SCHEDULE

WALL DEPTH	SCHEDULE	AREA (in. ² /ft.)	MAX. SPACING	
			BARS	WWR
0' - 4'	A12	0.200	12"	8"
4' - 7'	A6	0.200	6"	5"
7' - 12'	B5.5	0.240	5 1/2"	5"
12' - 15'	Special 1	0.267	5"	4"

DIMENSIONAL AND REINFORCING DETAILS

TYPE F - DIMENSIONAL, REINFORCING, AND GRATE DETAILS

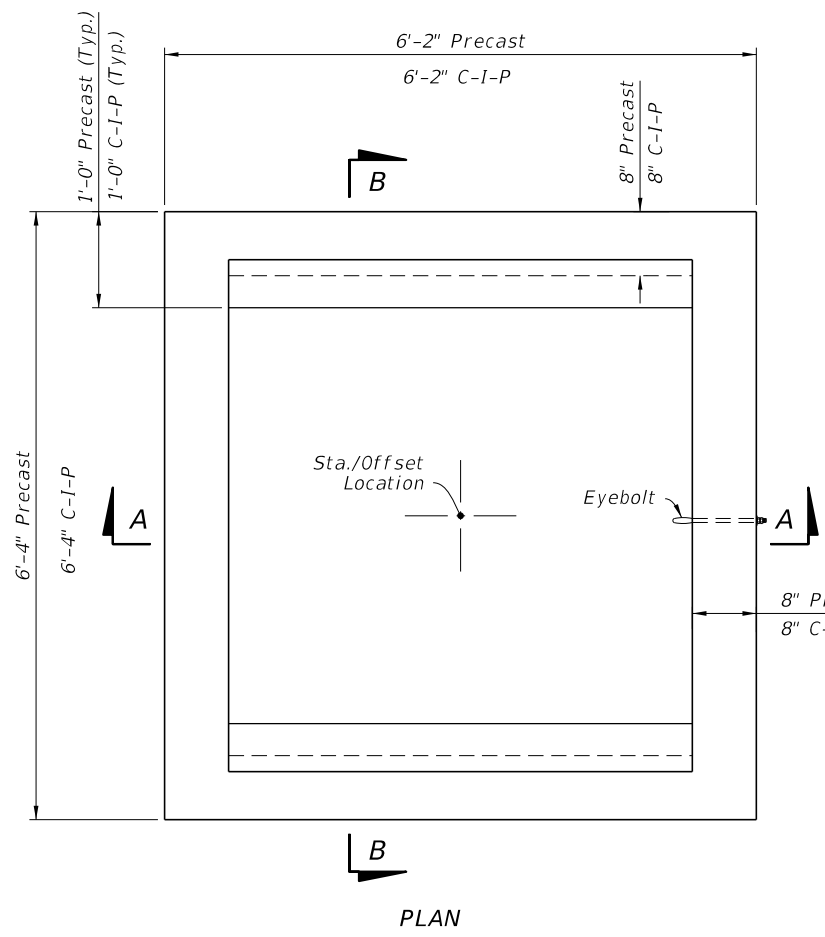
9/21/2021 1:23:41 PM

LAST REVISION 11/01/20	DESCRIPTION:
---------------------------	--------------

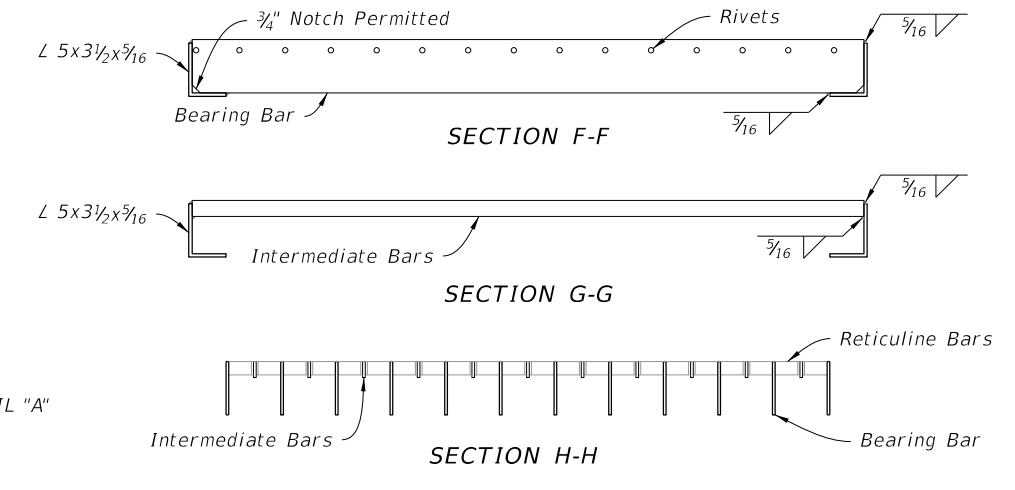
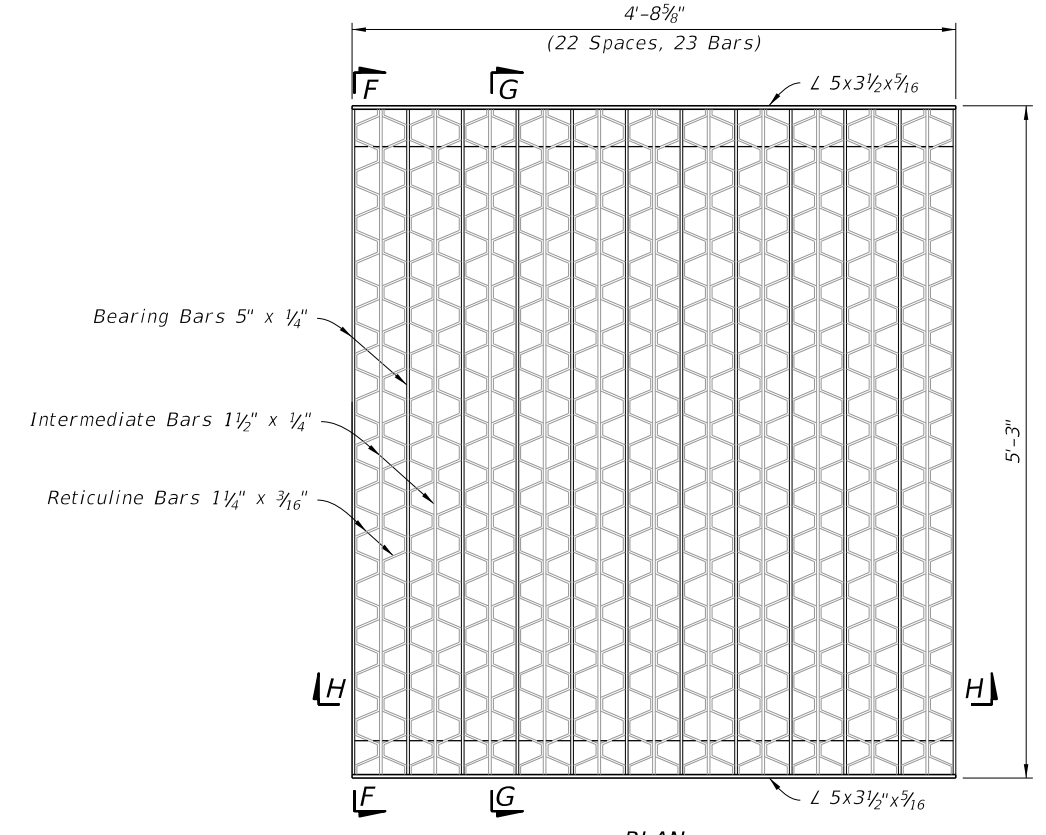
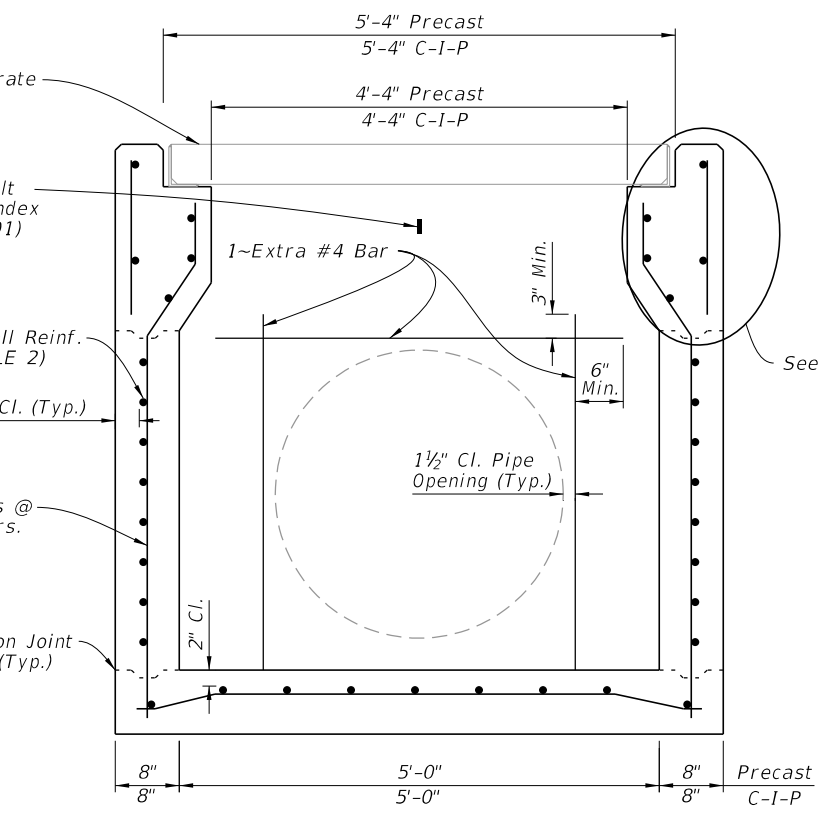
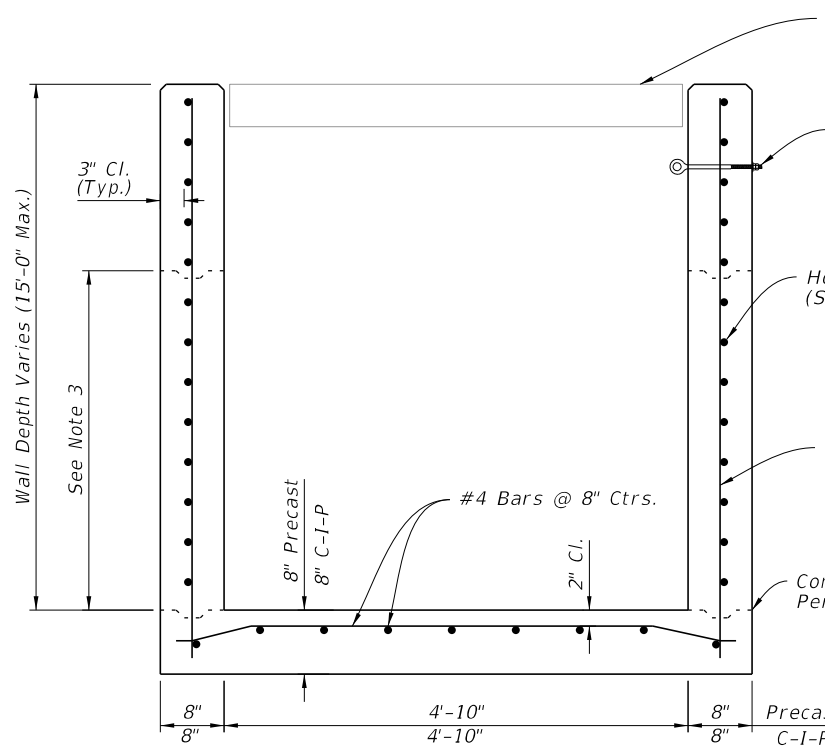
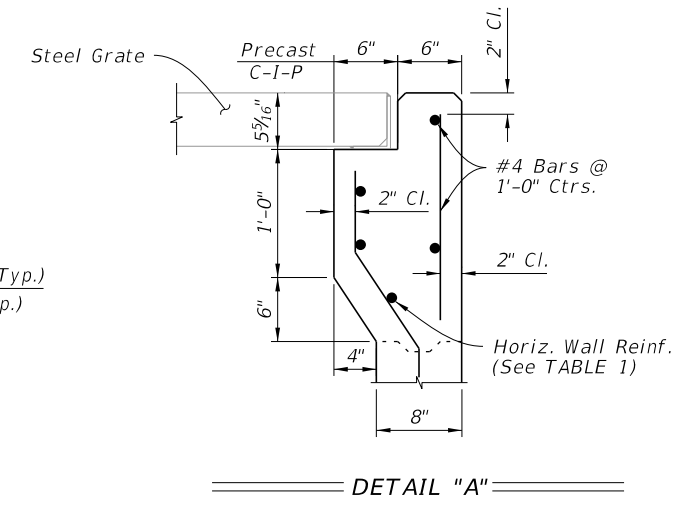
FDOT FY 2022-23 STANDARD PLANS

DITCH BOTTOM INLET TYPE F AND G

INDEX 425-053	SHEET 2 of 4
------------------	-----------------



- NOTES:**
1. Grate, Concrete Apron, and Sod not shown in Plan view
 2. See Sheet 4 for Concrete Apron and Sodded Area details.
 3. Construction joints permitted between these limits. See Index 425-001 for minimum dimensions.



**TABLE 2
HORIZONTAL WALL REINFORCING SCHEDULE**

WALL DEPTH	SCHEDULE	AREA (in. ² /ft.)	MAX. SPACING	
			BARS	WWR
0' - 3'	A12	0.20	12"	8"
3' - 7'	A6	0.20	6"	5"
7' - 10'	B5.5	0.24	5 1/2"	5"
10' - 15'	C6.5	0.37	6 1/2"	6"

DIMENSIONAL AND REINFORCING DETAILS

TYPE G - DIMENSIONAL, REINFORCING, AND GRATE DETAILS

9/21/2021 1:23:41 PM

LAST REVISION	DESCRIPTION:
11/01/20	

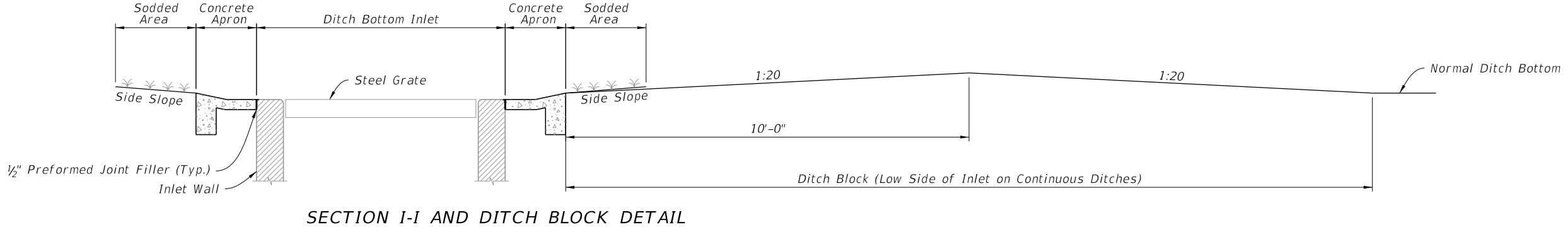
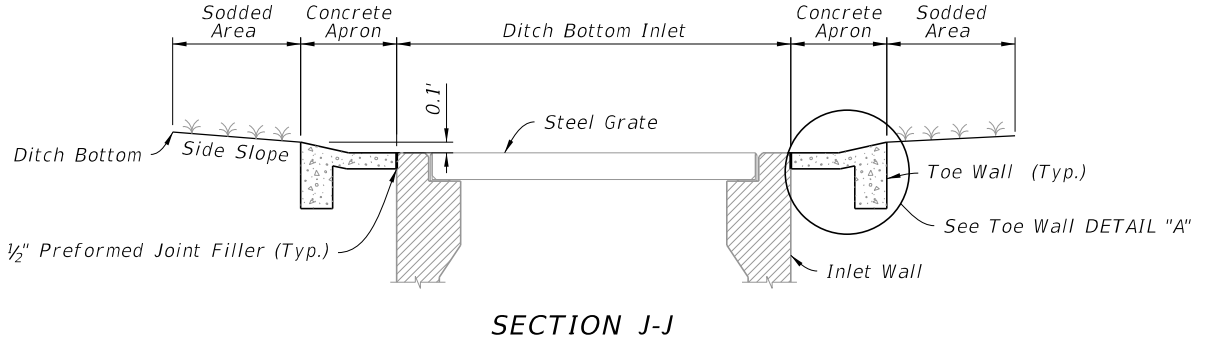
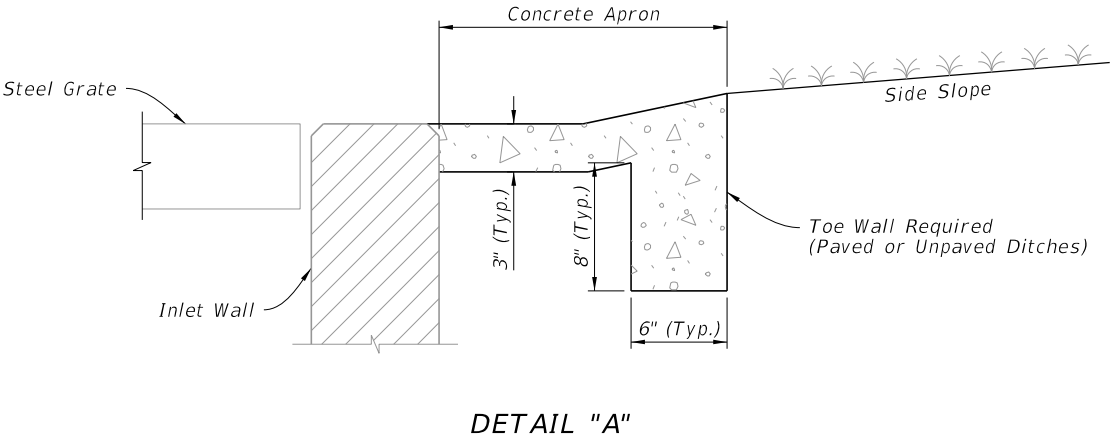
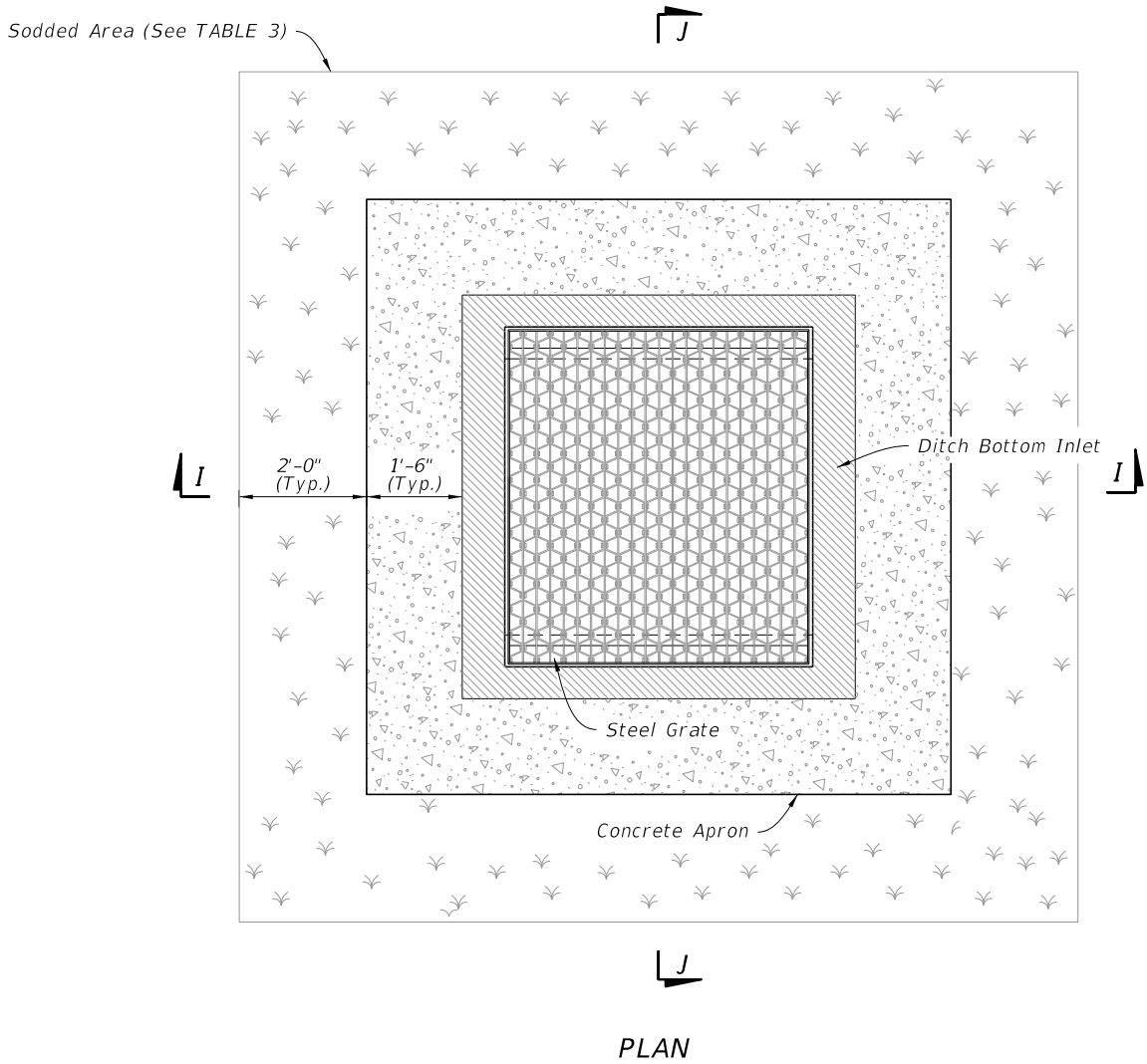

**FY 2022-23
STANDARD PLANS**

DITCH BOTTOM INLET TYPE F AND G

INDEX	SHEET
425-053	3 of 4

TABLE 3 CONCRETE APRON AND SOD QUANTITIES			
INLET	CONCRETE (CY)	SOD W/CONCRETE (SY)	SOD ONLY (SY)
F	0.43	10	6
G	0.34	9	7

- NOTES:**
1. Concrete Apron to be installed only where called for in the Plans.
 2. Sod always required.



CONCRETE APRON AND SODDED AREA DETAILS

9/21/2021 1:23:56 PM

LAST REVISION	DESCRIPTION:
11/01/20	



DITCH BOTTOM INLET TYPE F AND G

INDEX	SHEET
425-053	4 of 4