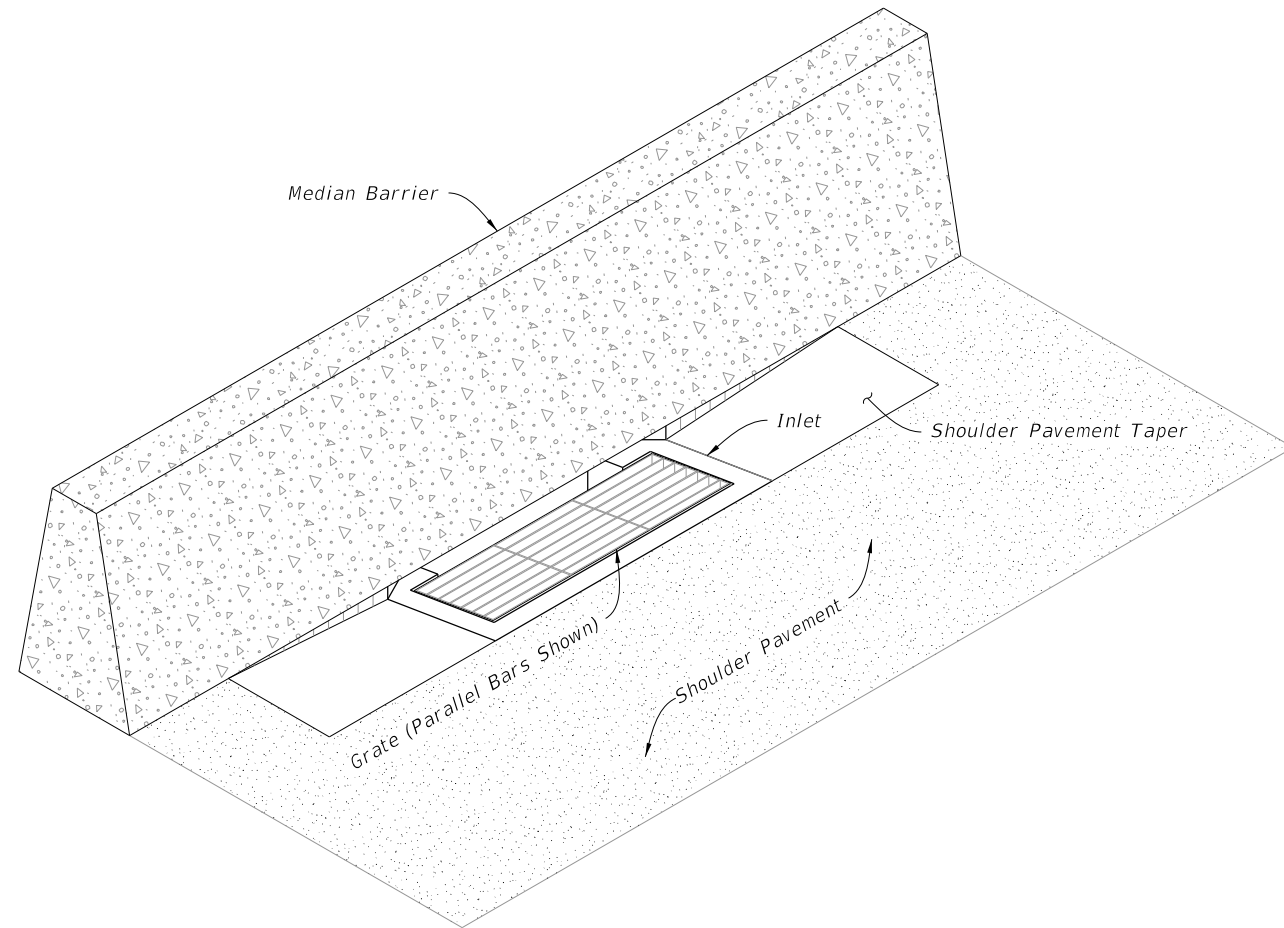


GENERAL NOTES:

1. Work this Index with Index 425-001 and Index 425-010.
2. Where called for in the Plans, use this inlet in conjunction with Median Barrier per Index 521-001.
3. Inlet Descriptions:
 Type 1: Inlet on one side of Median Barrier
 Type 2: Inlet on both sides of Median Barrier
4. See Index 425-040 for grate details. Use the parallel bar grate unless reticuline grate is called for in the Plans.
5. Chamfer all edges to $\frac{3}{4}$ " or tool to $\frac{1}{4}$ " radius.
6. Use Grade 60 #4 bars for inlet wall reinforcing. Position horizontal wall reinforcing 3" from the inside face unless otherwise shown. Equivalent areas of welded wire per Index 425-001 are permitted.
7. Use Grade 60 #4 or #5 bars for barrier reinforcing as required to match the stirrups and longitudinal steel of the adjacent Median Barrier per Index 521-001. Provide 2" or 2 $\frac{1}{2}$ " reinforcing steel cover to match the adjacent barrier reinforcing cover unless otherwise shown. Match the stirrup spacing of the adjacent barrier. Run longitudinal steel bars over the full length of the Concrete Barrier Transition and run continuously with the longitudinal steel of the adjacent barriers. Use lap splices as required.
8. Dimensions are for both precast and cast-in-place inlets unless otherwise noted.
9. Install one layer of ASTM D6380 Class S, Type III organic felt bond breaker between inlet and barrier, including footings.



=====
MEDIAN BARRIER INLET
 (Type 1 Shown, Type 2 Similar)
 =====

TABLE OF CONTENTS:

Sheet	Description
1	General Notes and Contents
2	Type 1 and 2 Dimensional and Reinforcing Details
3	Type 1 Collar Dimensional and Reinforcing Details
4	Type 2 Collar Dimensional and Reinforcing Details

9/21/2021 1:17:34 PM

LAST REVISION	REVISION	DESCRIPTION:
11/01/20		



FY 2022-23
 STANDARD PLANS

MEDIAN BARRIER INLET TYPES 1 AND 2

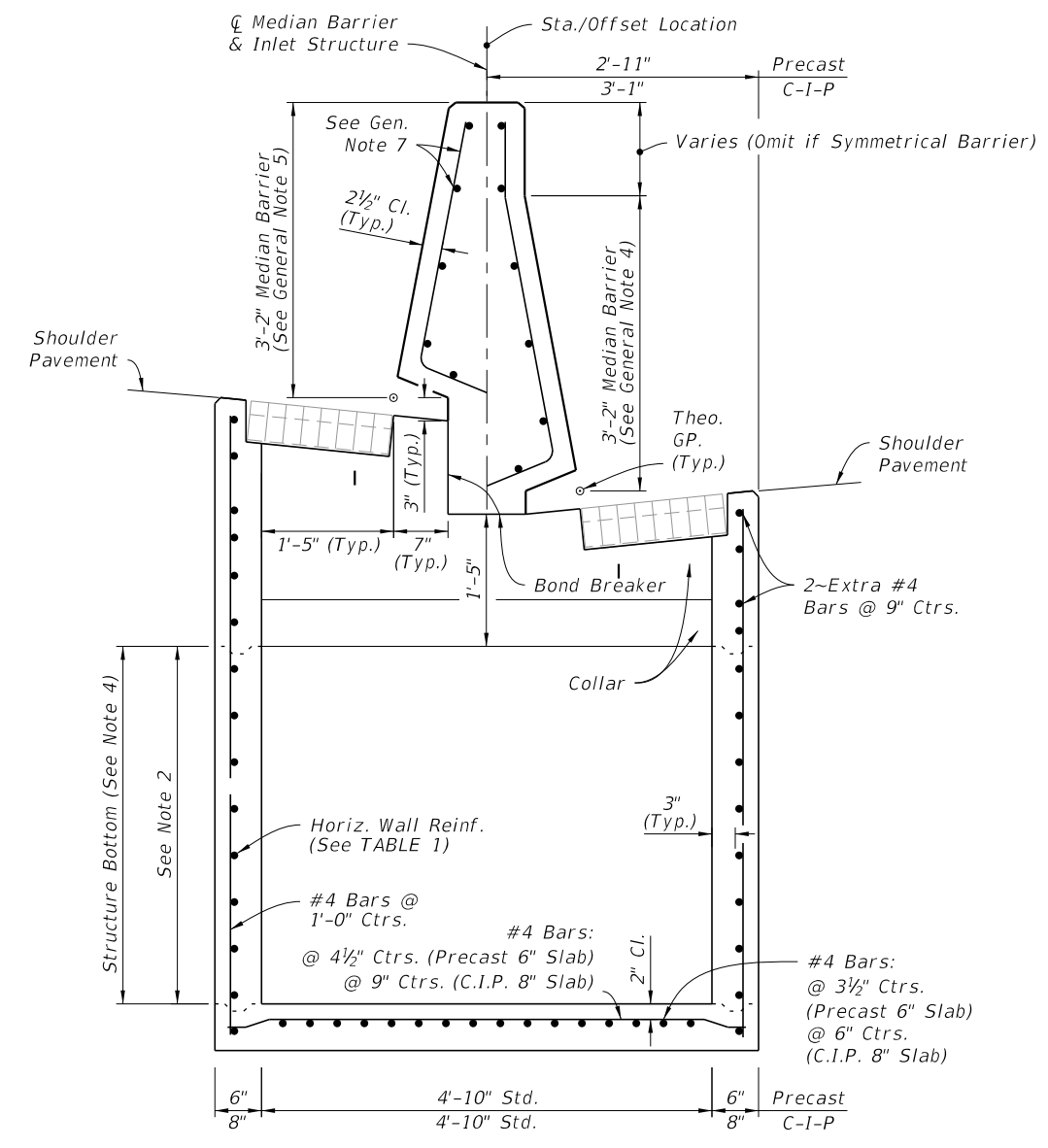
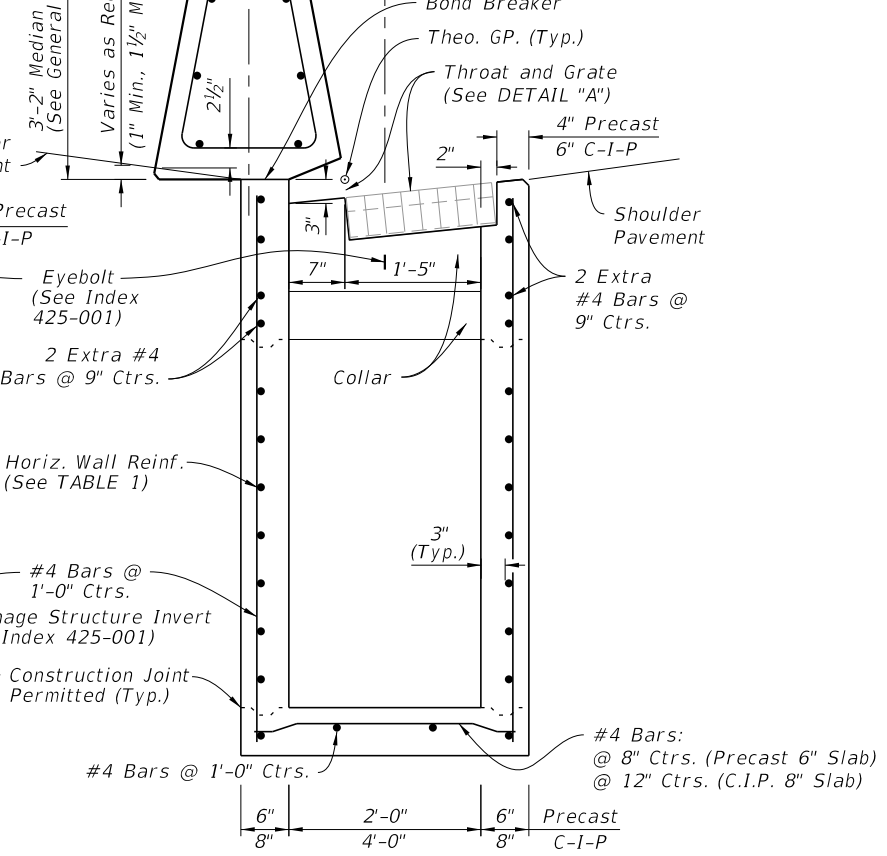
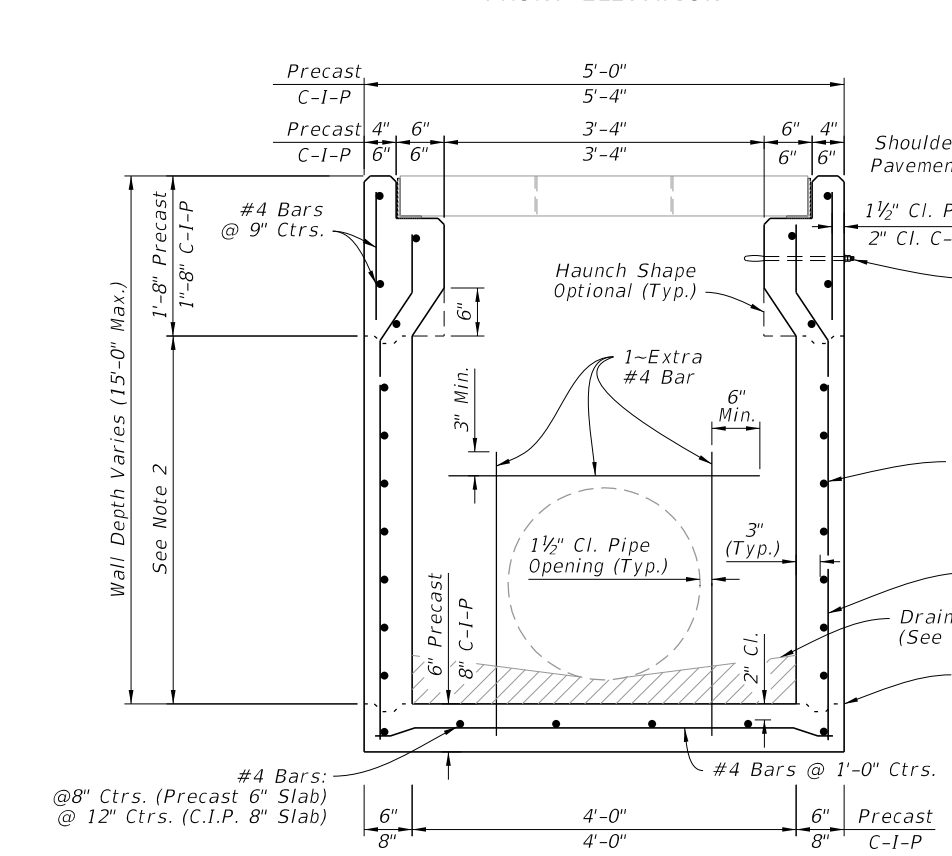
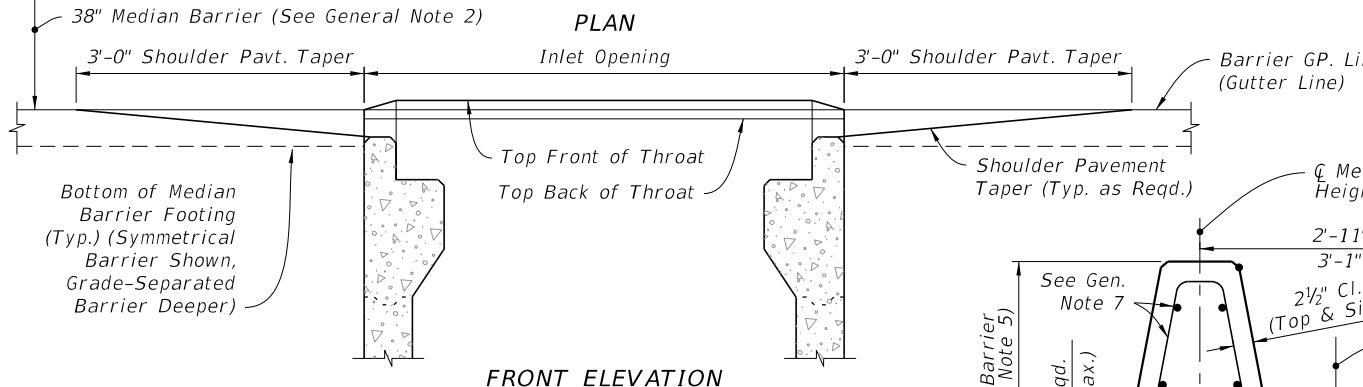
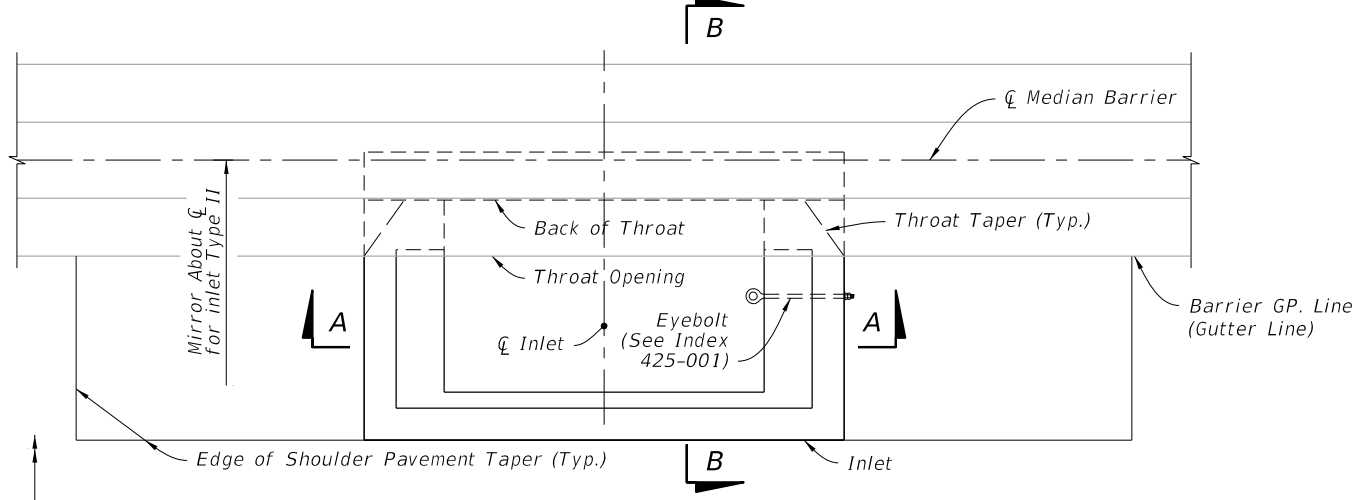
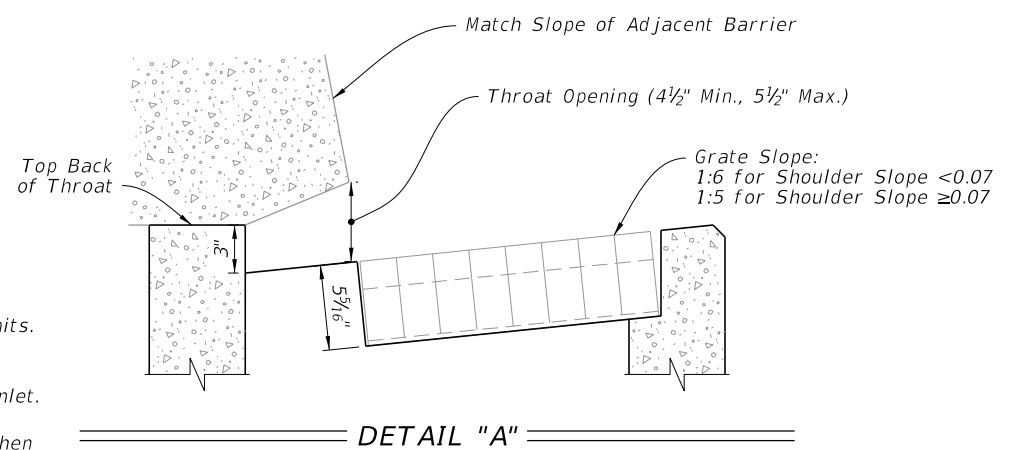
INDEX
 425-030

SHEET
 1 of 4

TABLE 1: HORIZONTAL WALL REINFORCING SCHEDULE

WALL DEPTH	SCHEDULE	AREA (in. ² /ft.)	MAX. SPACING	
			BARS	WWF
0'-3'	A12	0.20	12"	8"
3'-6'	A6	0.20	6"	5"
6'-9'	B5.5	0.24	5½"	5"
9'-15'	C6.5	0.37	6½"	6"

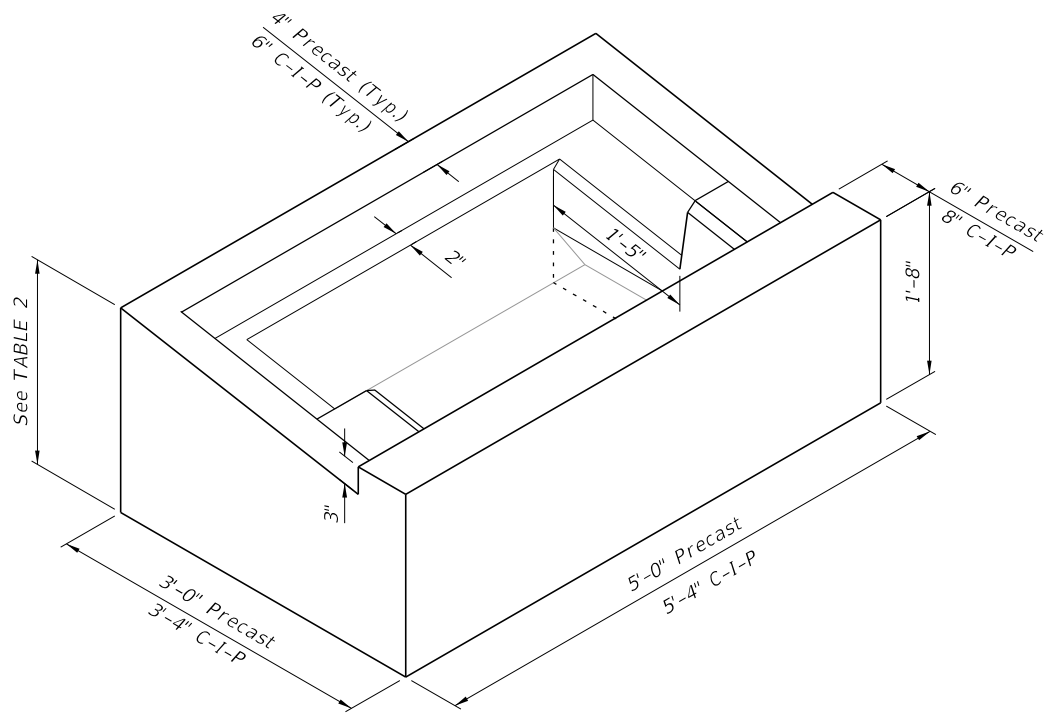
- NOTES:**
1. Precast shown, cast-in-place (C-I-P) similar.
 2. Construction joints permitted between these limits. See Index 425-001 for minimum dimensions.
 3. Plan view and Section AA is similar to Type I Inlet.
 4. Alternate B Structure Bottom or Special Only when called for in the Plans.



1:17:34 PM
9/21/2021

TYPE 1 AND 2 DIMENSIONAL AND REINFORCING DETAILS

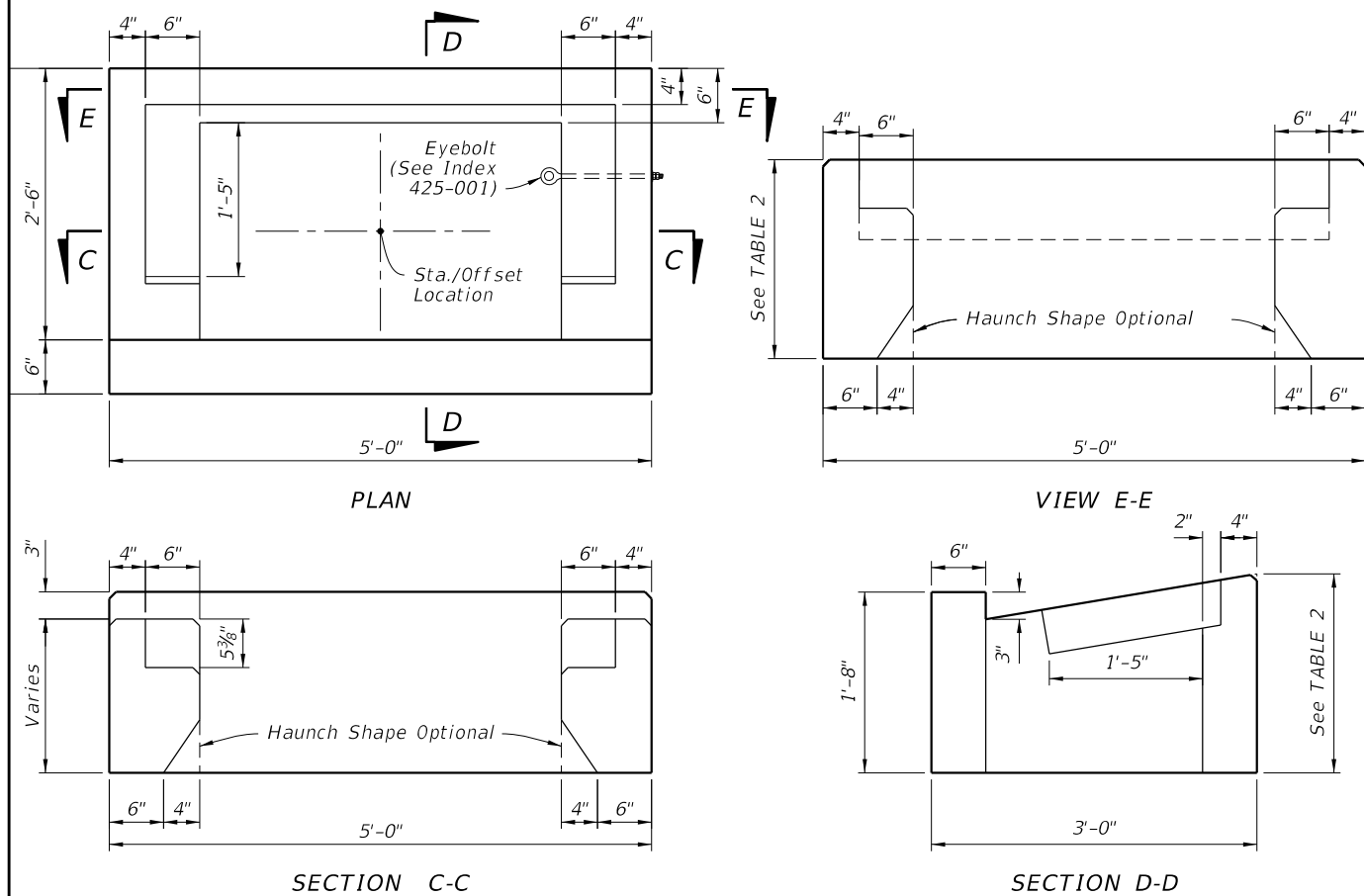
LAST REVISION 11/01/20	REVISION	DESCRIPTION:		FY 2022-23 STANDARD PLANS	MEDIAN BARRIER INLET TYPES 1 AND 2	INDEX	SHEET
						425-030	2 of 4



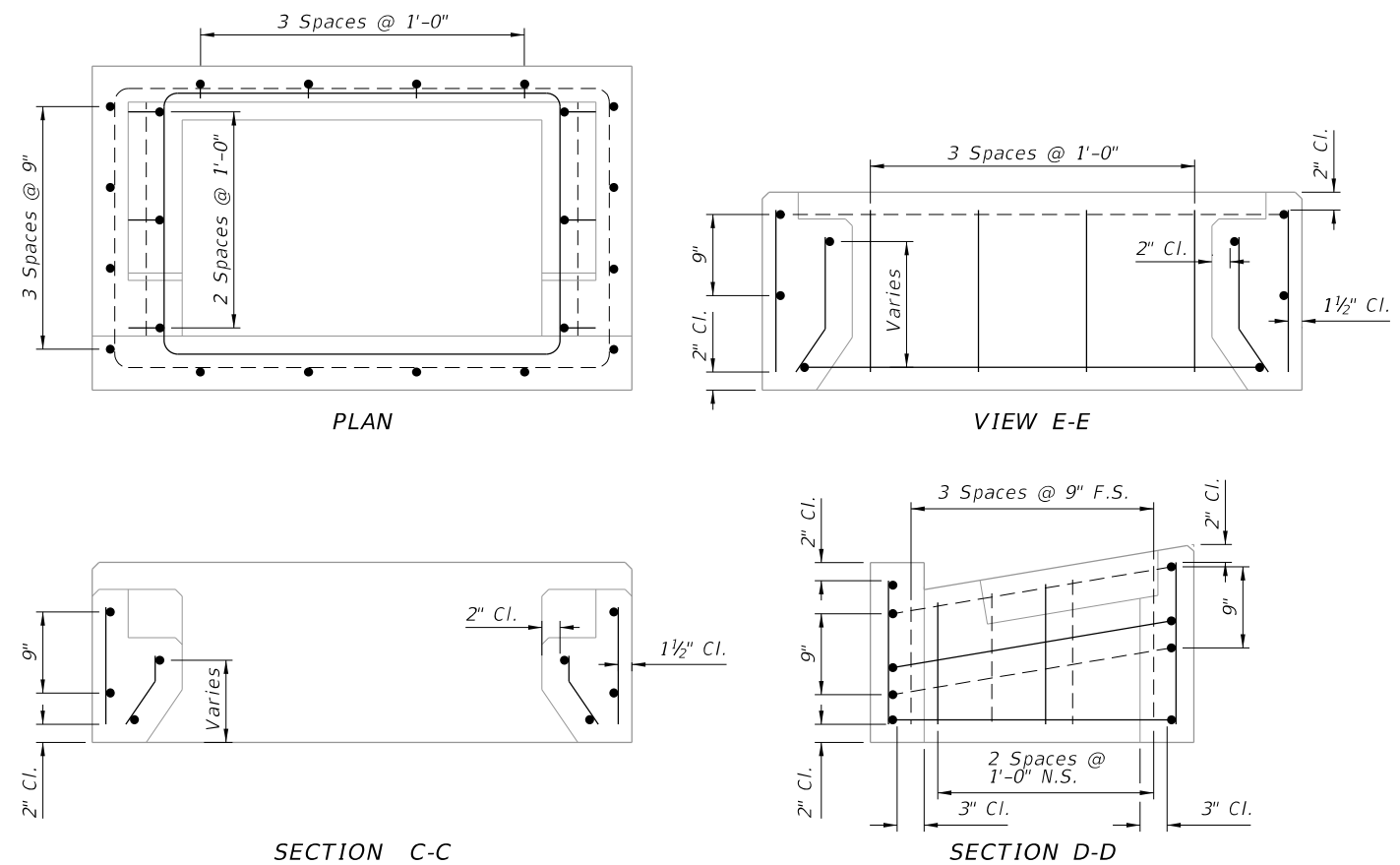
ISOMETRIC VIEW
(Grate Not Shown)

GRATE SLOPE	PRECAST	C-I-P
1:5	1'-11"	1'-11 ³ / ₈ "
1:6	1'-10"	1'-10 ³ / ₈ "

NOTE:
Precast shown, cast in place (C-I-P) similar.



DIMENSIONAL DETAILS



REINFORCING DETAILS

TYPE 1 COLLAR DIMENSIONAL AND REINFORCING DETAILS

9/21/2021 1:17:35 PM

LAST REVISION 11/01/20	DESCRIPTION:
---------------------------	--------------

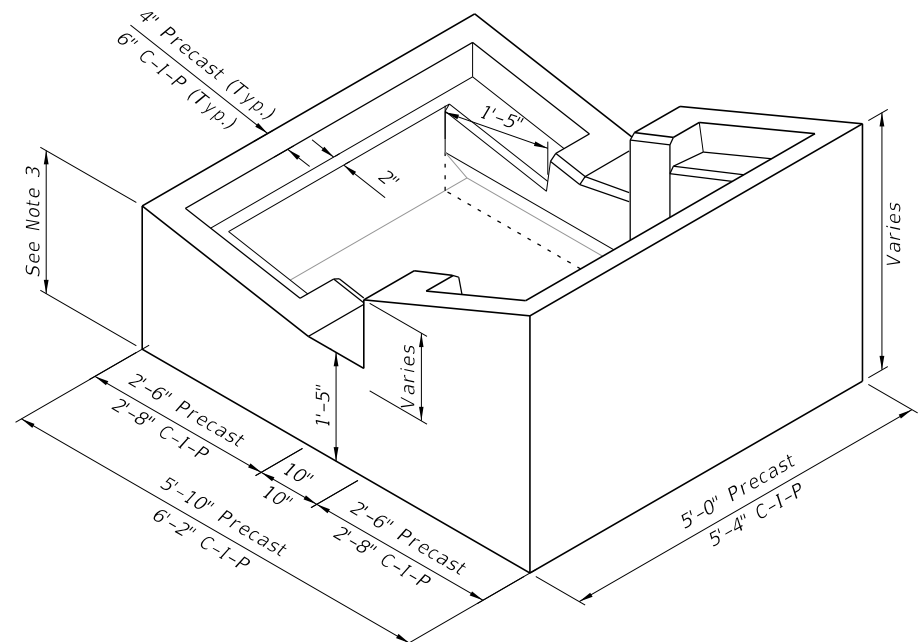


FY 2022-23
STANDARD PLANS

MEDIAN BARRIER INLET TYPES 1 AND 2

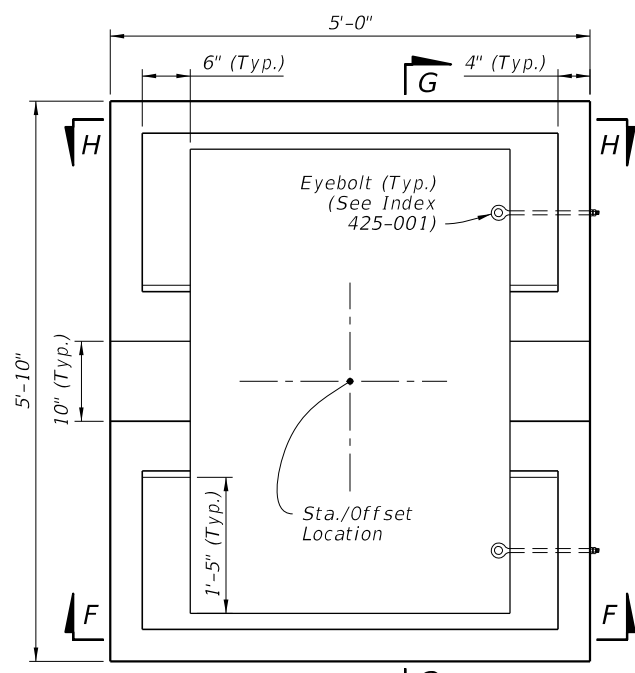
INDEX
425-030

SHEET
3 of 4

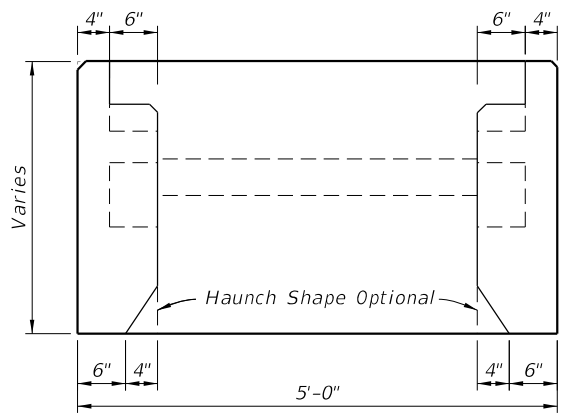


ISOMETRIC VIEW
(Grate Not Shown)

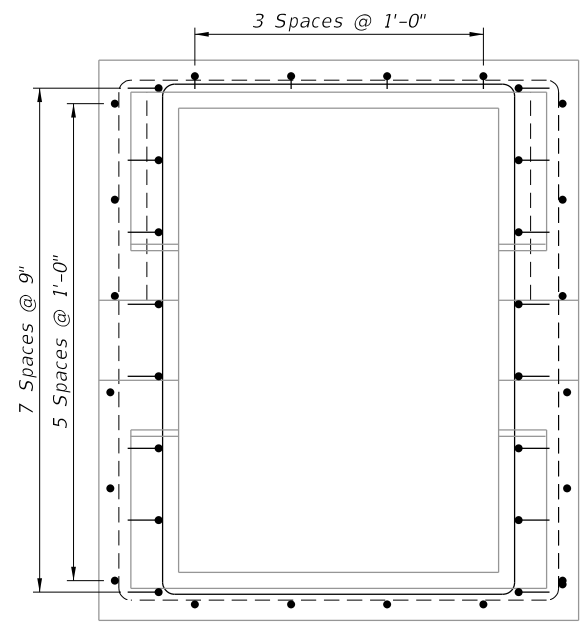
- NOTES:**
1. Precast shown, cast in place (C-I-P) similar.
 2. Place bars at a maximum of 1'-0".
 3. See TABLE 2 on Sheet 3.



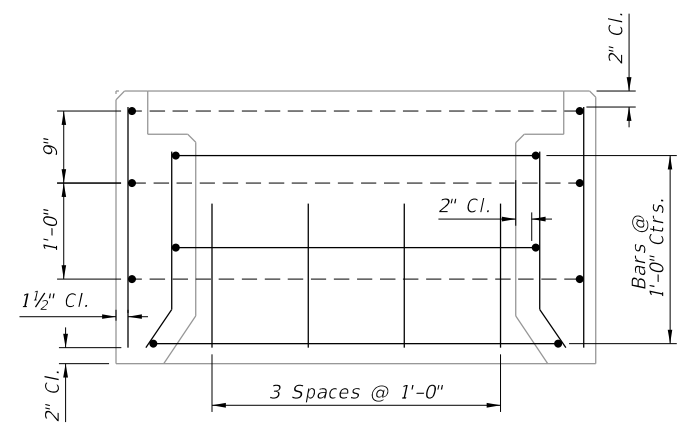
PLAN



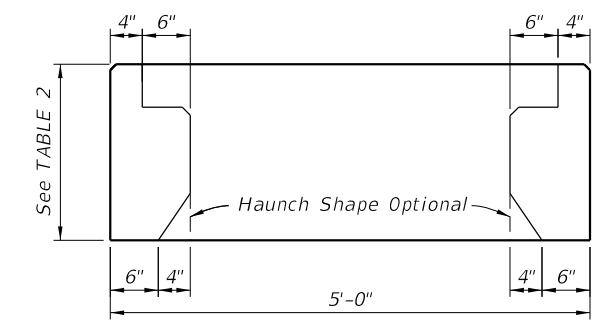
VIEW H-H



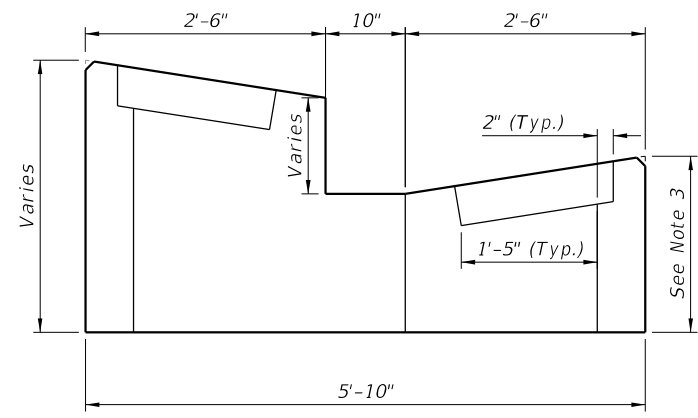
PLAN



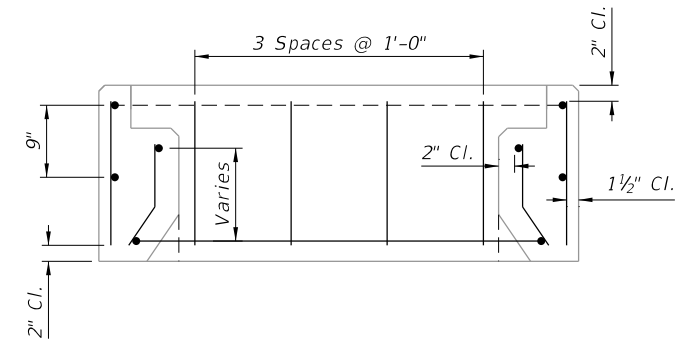
VIEW H-H



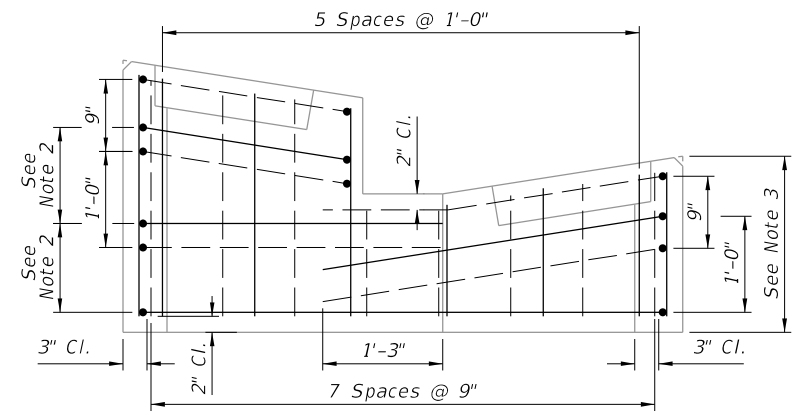
SECTION F-F



SECTION G-G



SECTION F-F



SECTION G-G

DIMENSIONAL DETAILS

REINFORCING DETAILS

TYPE 2 COLLAR DIMENSIONAL AND REINFORCING DETAILS

9/21/2021 1:17:36 PM

LAST REVISION 11/01/20	DESCRIPTION:	 FY 2022-23 STANDARD PLANS	MEDIAN BARRIER INLET TYPES 1 AND 2	INDEX 425-030	SHEET 4 of 4
---------------------------	--------------	----------------------------------------------------------------------------------------------------------------------	------------------------------------	------------------	-----------------