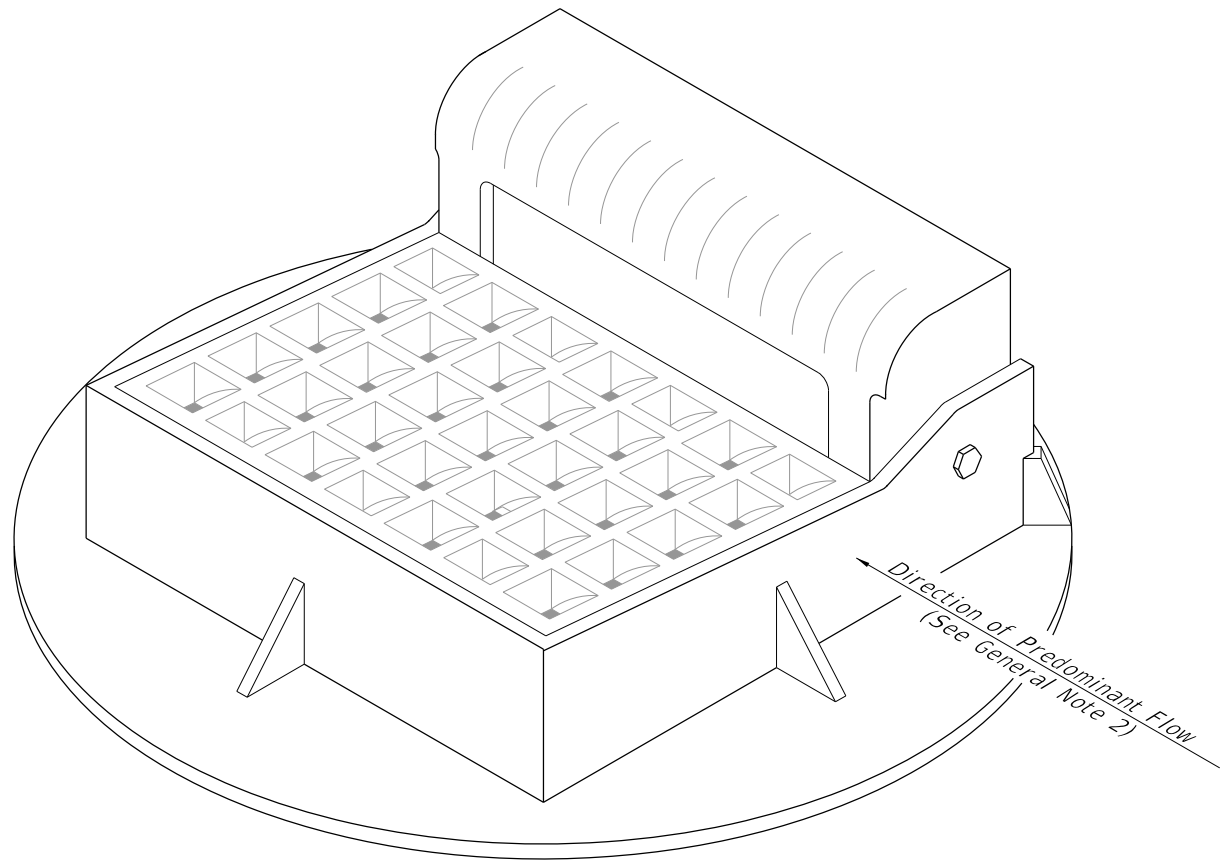


**GENERAL NOTES:**

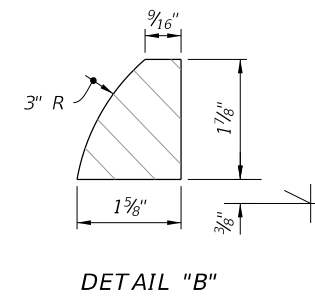
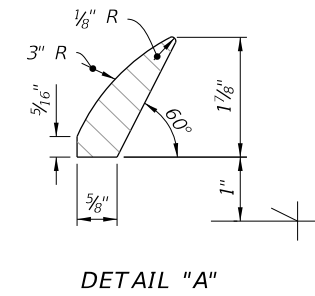
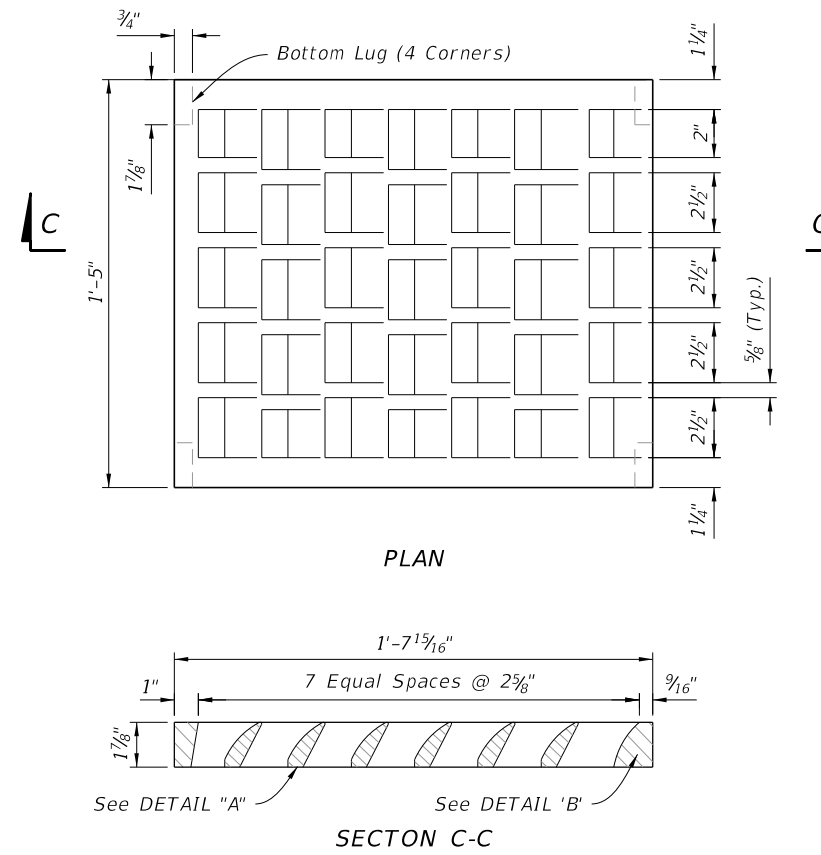
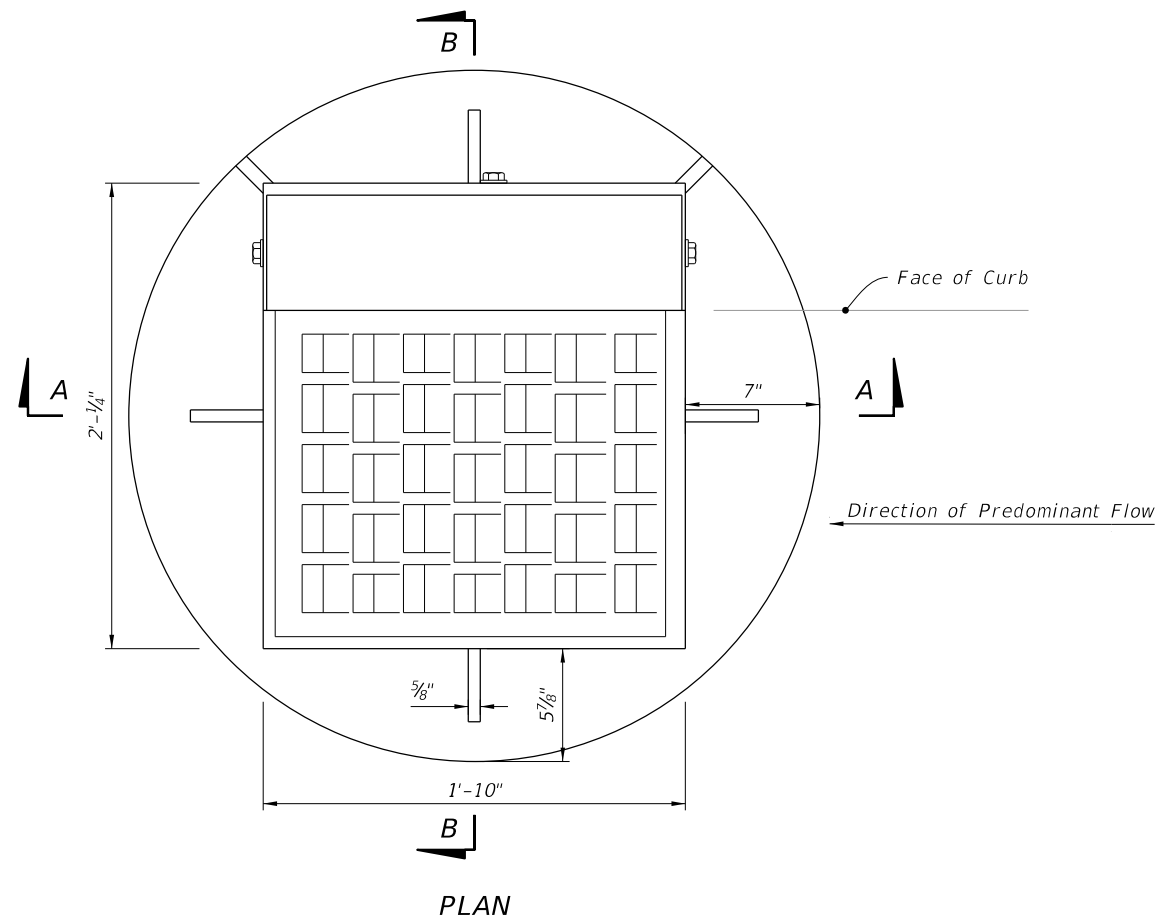
1. Work this Index with Index 425-001 and Index 425-010.
2. Orient grate with vanes directed toward predominant flow.
3. Provide 1 1/4" minimum cover for steel in slab tops unless otherwise shown. Tops may be either cast-in-place or precast concrete.
4. Place top slab openings such that 2 edges of inlet frame will be located directly above bottom or riser walls, for Alternate B applications.
5. When used on a structure with dimensions larger than those detailed on Sheet 3 and risers are not applied, Construct the top slab using Index 425-010 with the slab opening adjusted to 22"x24". The "Special Top Slab" on Index 425-010 is not permitted.
6. Frame may be adjusted with one to six courses of brick.
7. Vaned grates with approximately equal openings that satisfy AASHTO HL-93 loading are permitted. Provide reversible (right or left) grates.

TABLE OF CONTENTS:	
Sheet	Description
1	General Notes and Contents
2	Frame and Grate Details
3	Top Slab Details

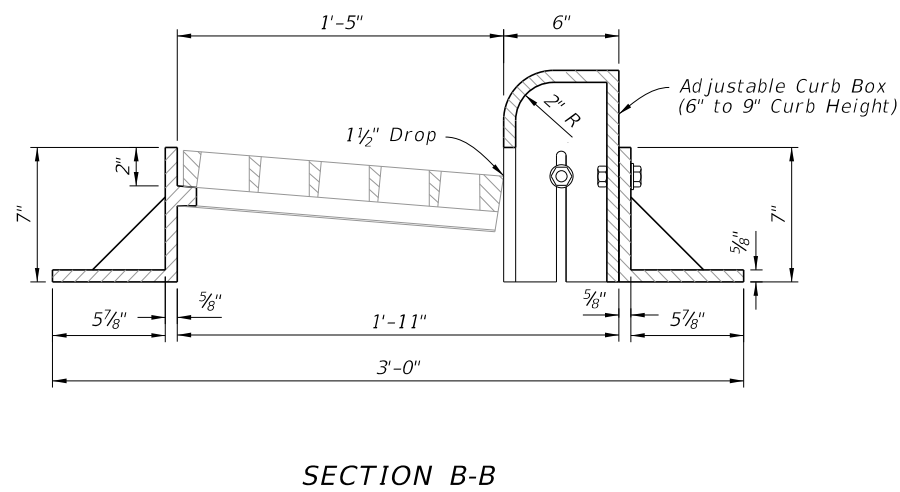
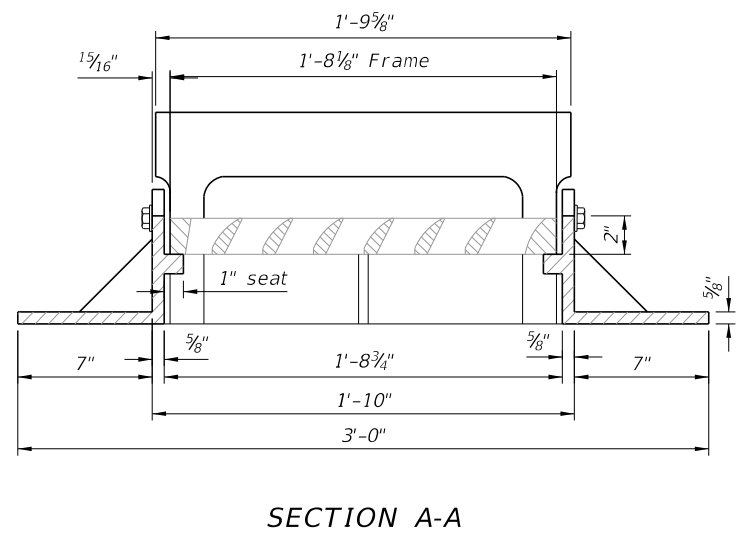


==== CURB INLET TOP TYPE 10 =====

9/21/2021 1:17:04 PM



GRATE DETAILS



FRAME AND GRATE DETAILS

9/21/2021 1:17:04 PM

LAST REVISION 11/01/20	DESCRIPTION:
---------------------------	--------------

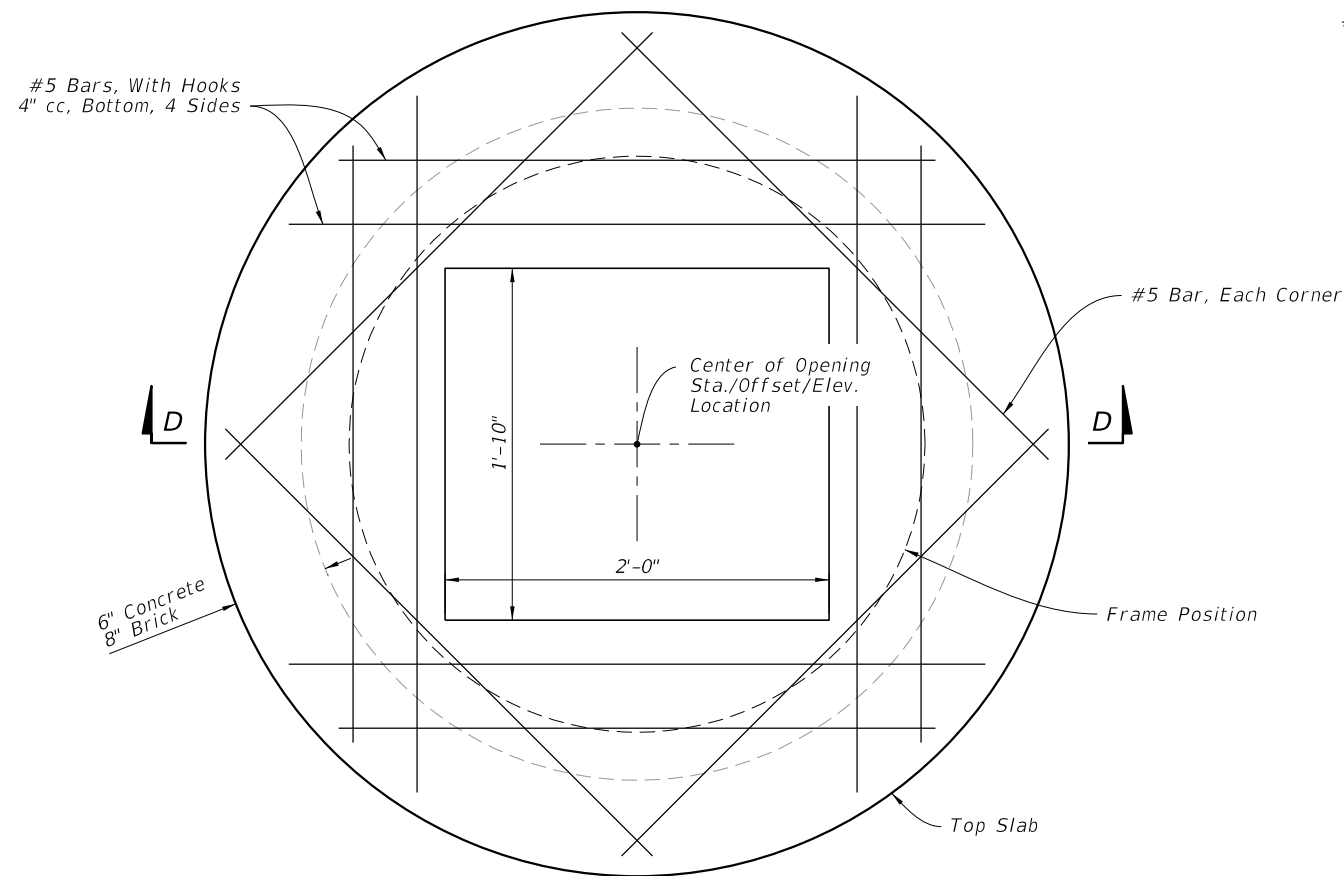


FY 2022-23  
STANDARD PLANS

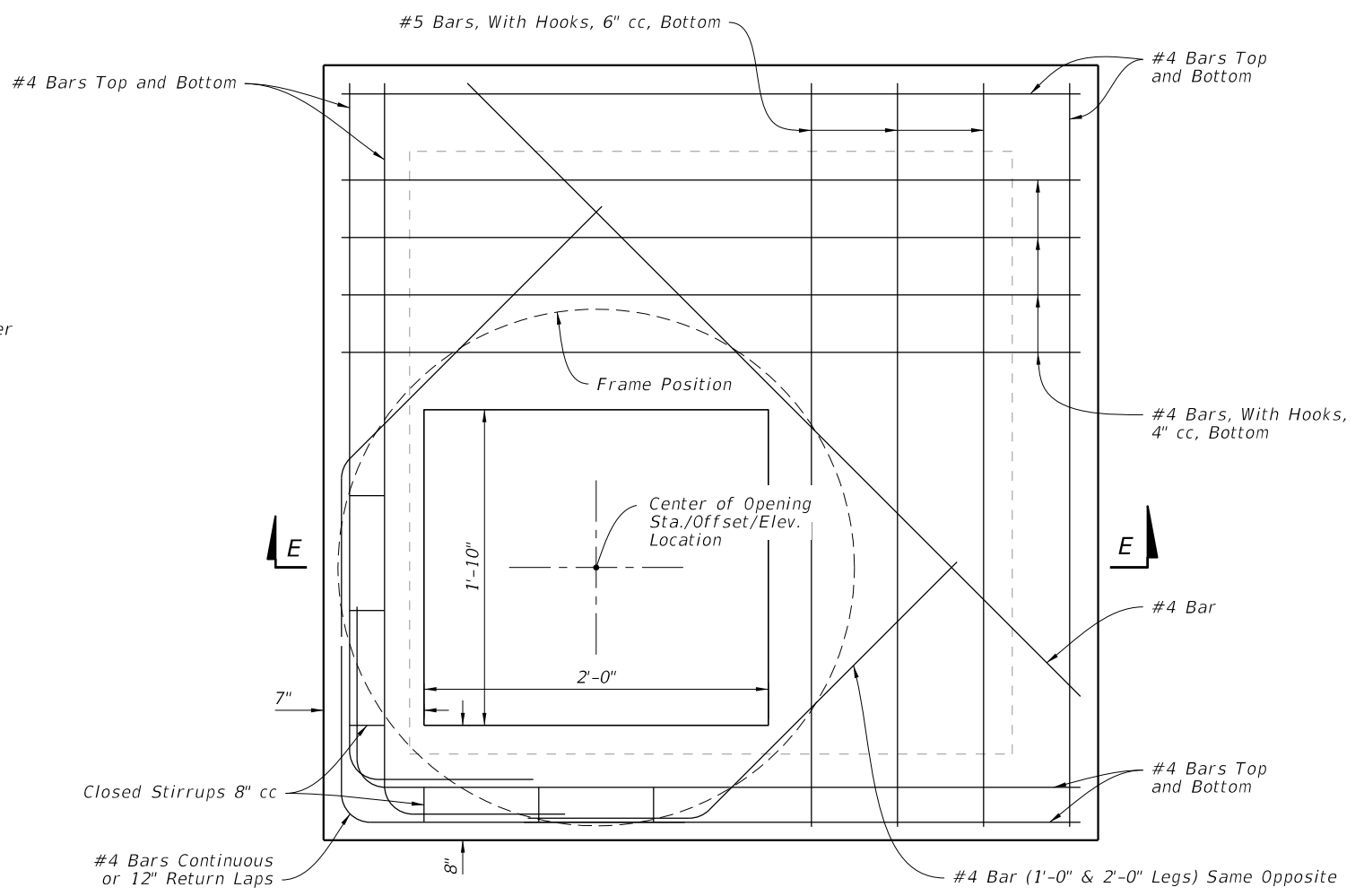
CURB INLET TOP TYPE 10

FRAME AND GRATE DETAILS

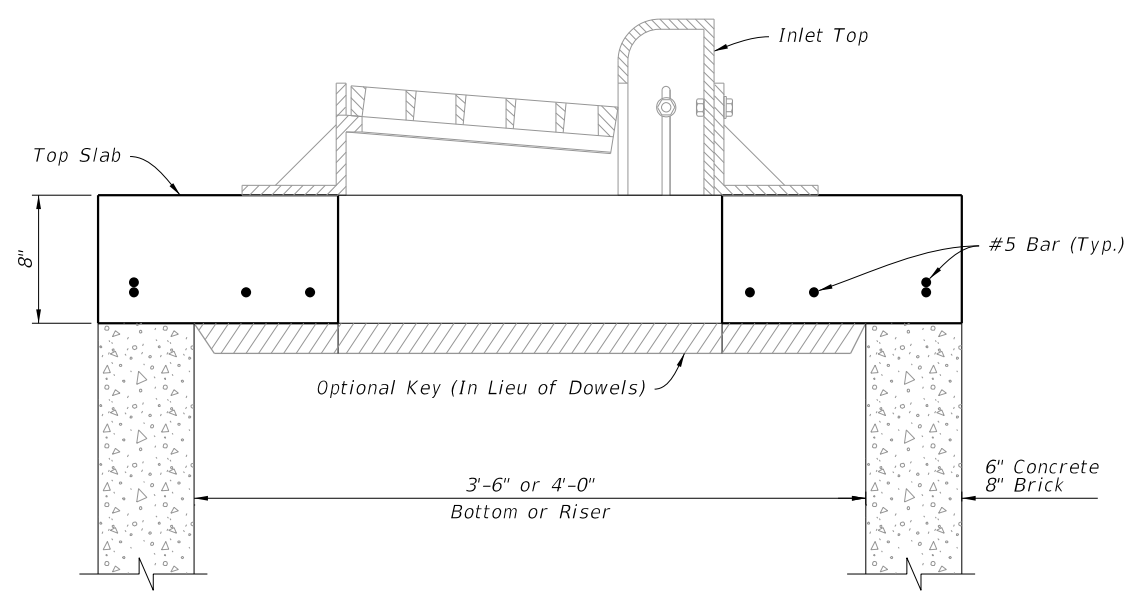
INDEX 425-025	SHEET 2 of 3
------------------	-----------------



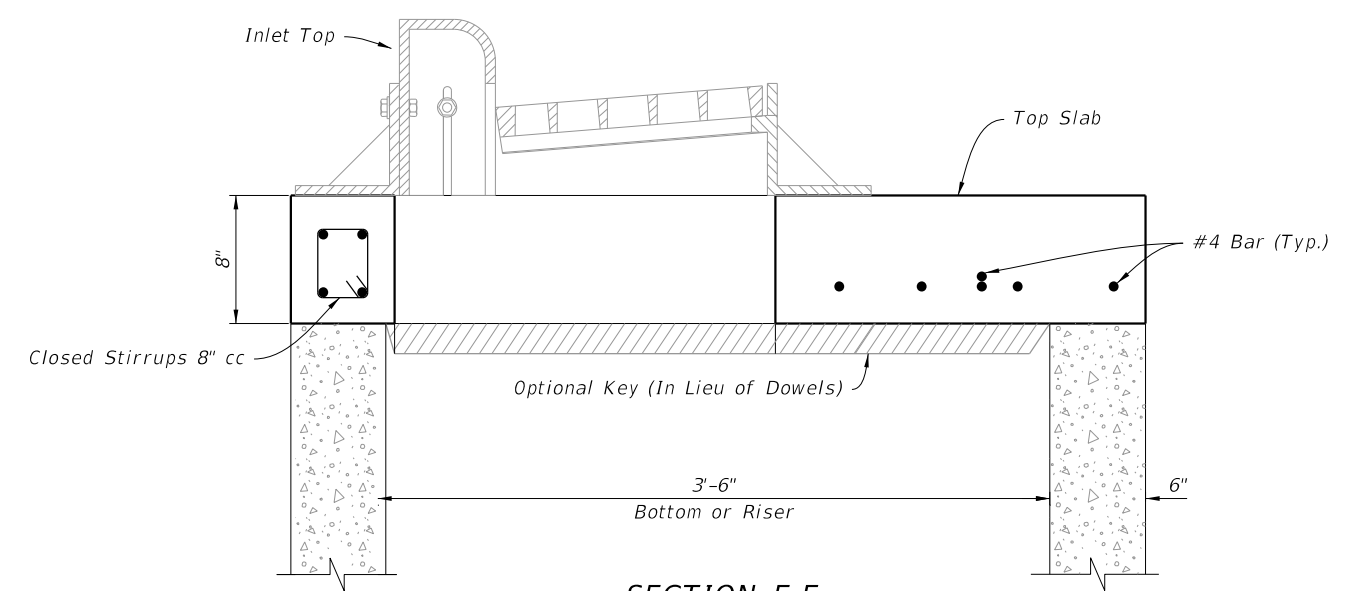
PLAN



PLAN



SECTION D-D



SECTION E-E

TOP SLAB DETAILS

9/21/2021 1:17:05 PM

LAST REVISION 11/01/20	DESCRIPTION:
---------------------------	--------------


**FY 2022-23  
STANDARD PLANS**

**CURB INLET TOP TYPE 10**

INDEX 425-025	SHEET 3 of 3
------------------	-----------------