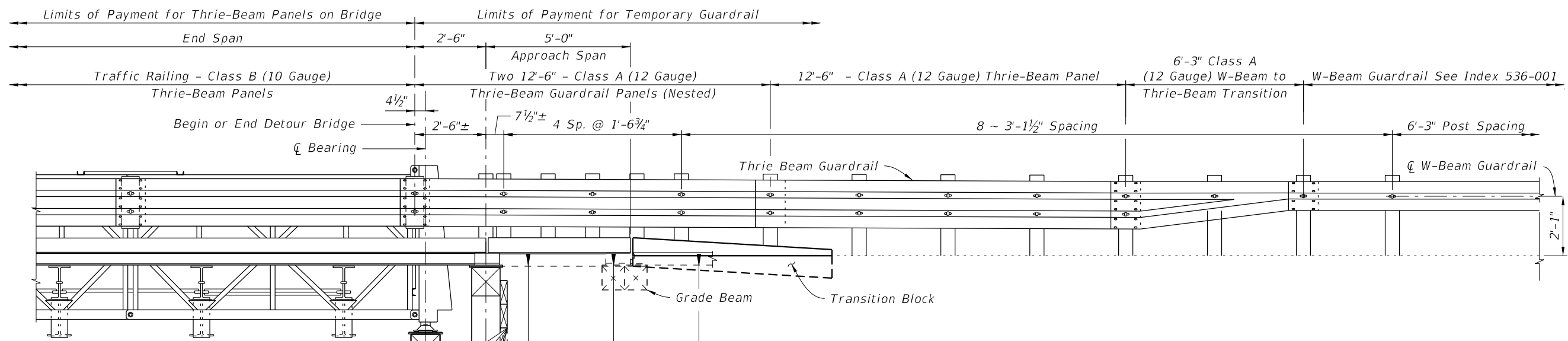


PARTIAL PLAN - APPROACH TRANSITION




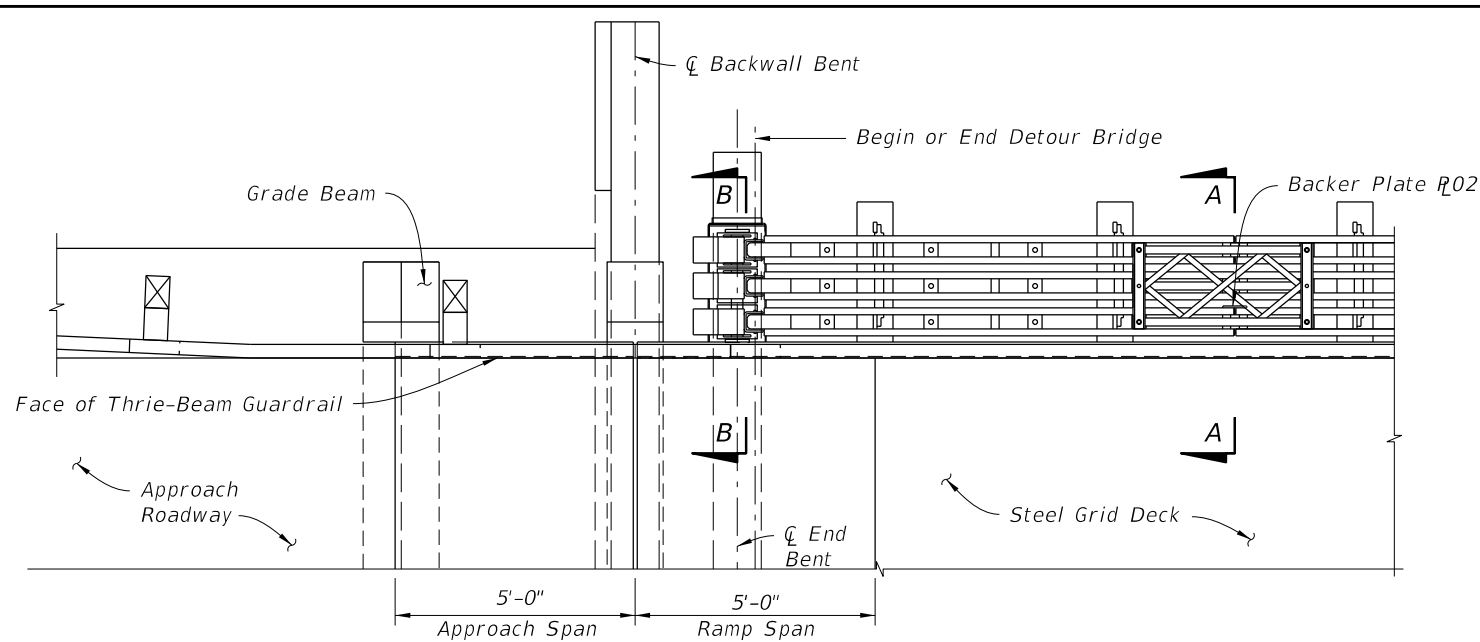
PARTIAL ELEVATION - APPROACH TRANSITION

C End Bent      C Backwall Bent

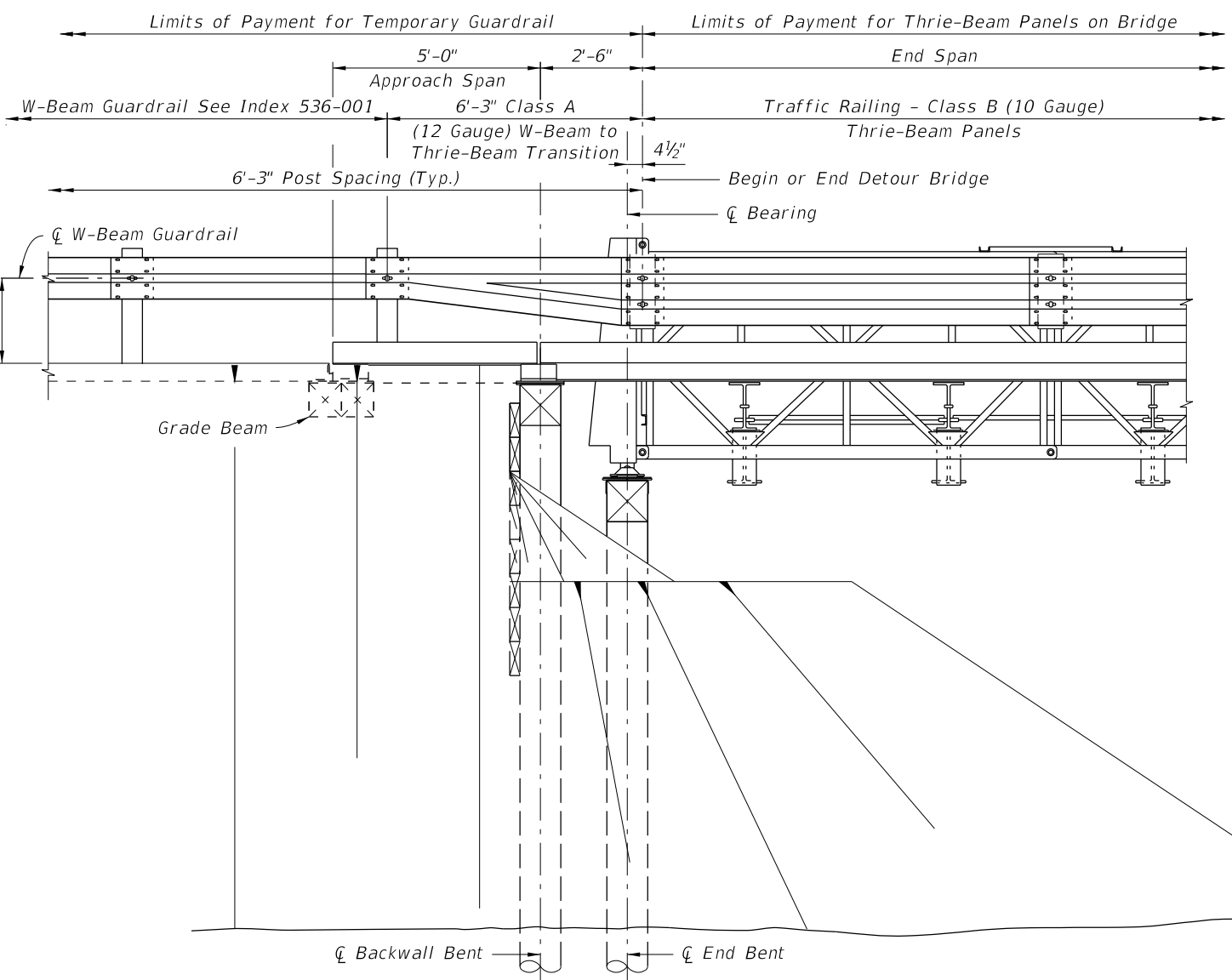
THRIE-BEAM GUARDRAIL APPROACH TRANSITION

9/23/2021 8:03:08 AM

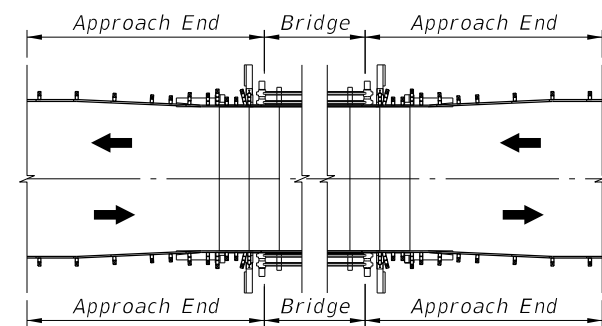
LAST REVISION 07/01/15	REVISION	DESCRIPTION:	 FY 2022-23 STANDARD PLANS	TEMPORARY DETOUR BRIDGE THRIE-BEAM GUARDRAIL	INDEX 102-240	SHEET 1 of 6
---------------------------	----------	--------------	-----------------------------------------------------------------------------------------------------------------------	-------------------------------------------------	------------------	-----------------



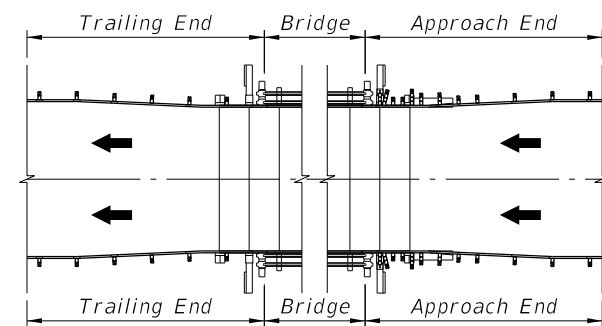
PARTIAL PLAN - TRAILING END



PARTIAL ELEVATION - TRAILING END



TWO-WAY TRAFFIC



ONE-WAY TRAFFIC

END TRANSITION APPLICATION DETAILS

9/23/2021 8:03:09 AM

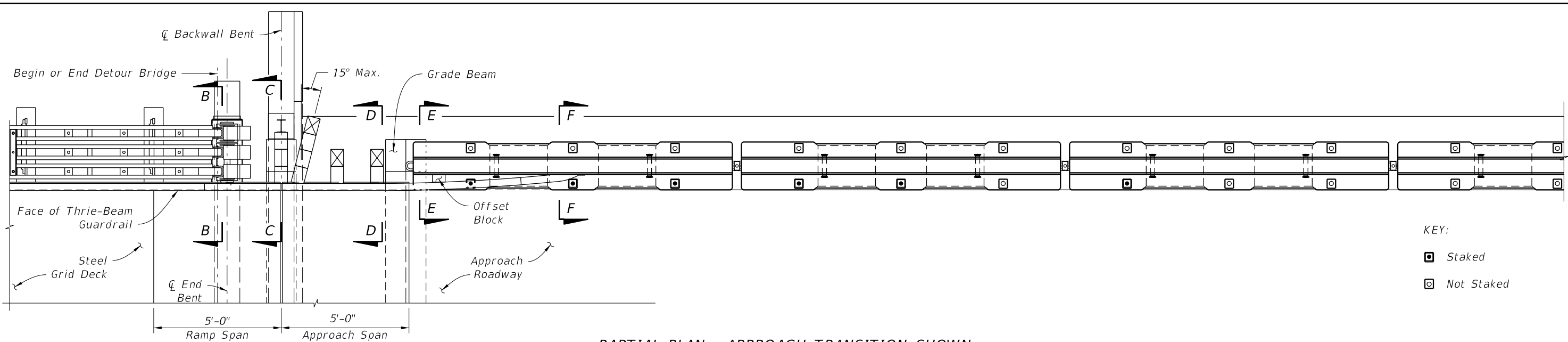
LAST REVISION 07/01/15	DESCRIPTION:
---------------------------	--------------


**FY 2022-23  
STANDARD PLANS**

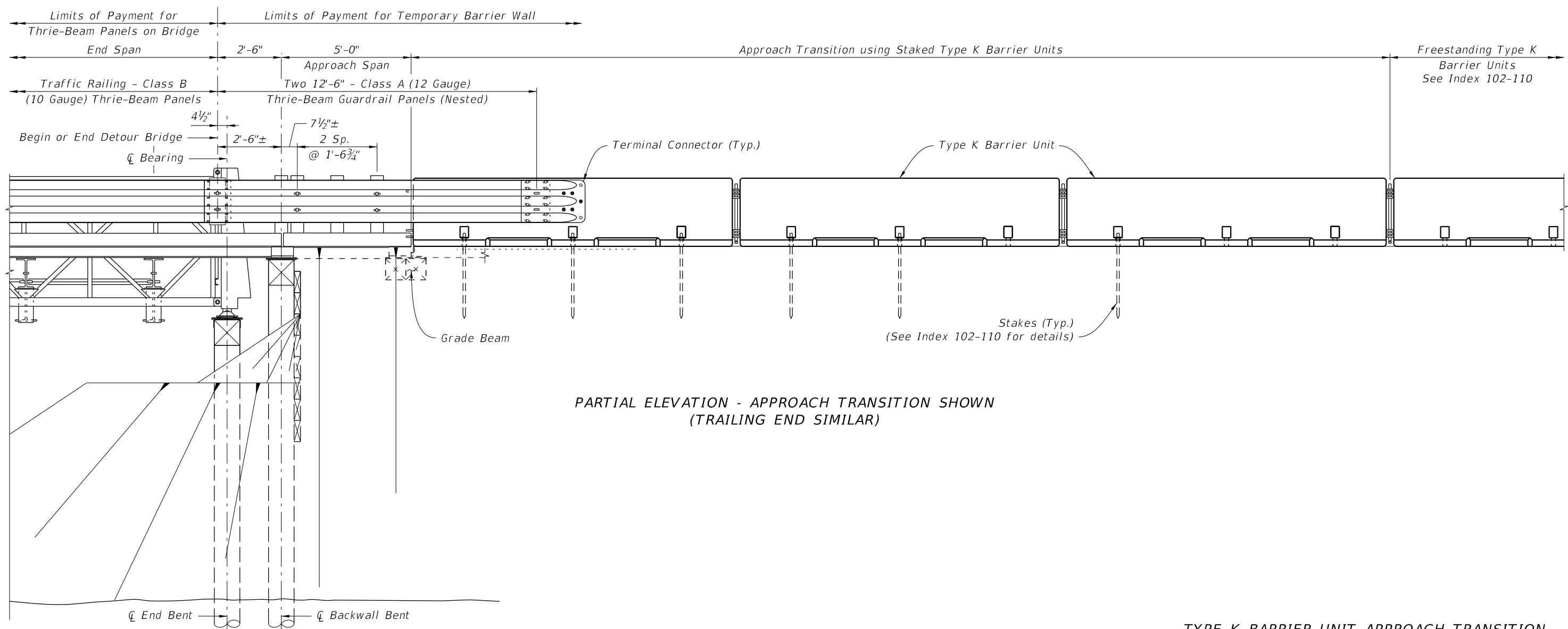
**TEMPORARY DETOUR BRIDGE  
THRIE-BEAM GUARDRAIL**

INDEX 102-240	SHEET 2 of 6
------------------	-----------------

THRIE-BEAM GUARDRAIL TRAILING END TRANSITION



PARTIAL PLAN - APPROACH TRANSITION SHOWN  
(TRAILING END SIMILAR)



PARTIAL ELEVATION - APPROACH TRANSITION SHOWN  
(TRAILING END SIMILAR)

9/23/2021 8:03:10 AM

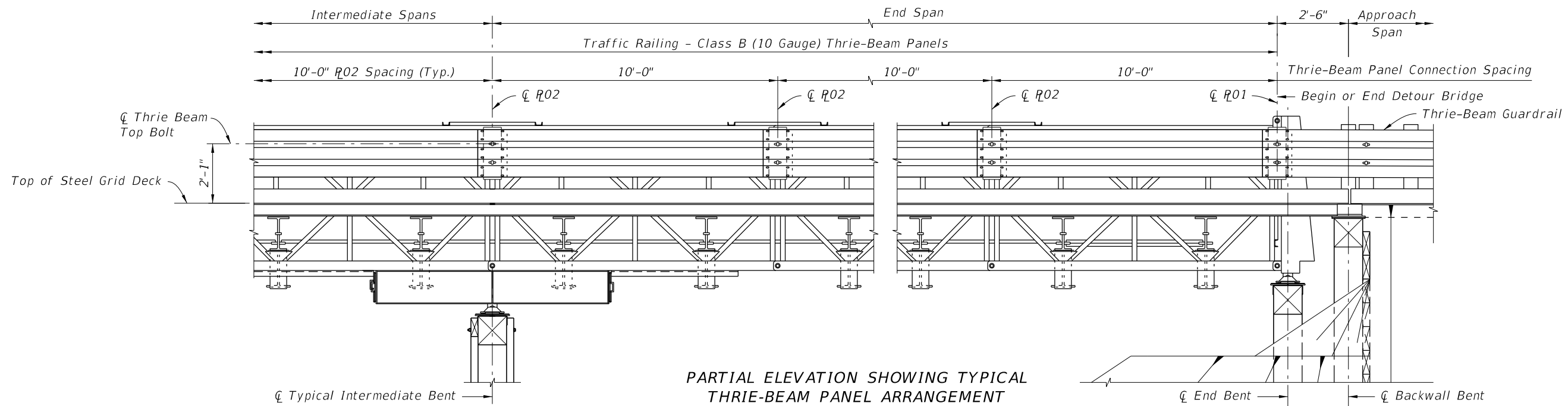
TYPE K BARRIER UNIT APPROACH TRANSITION

LAST REVISION 07/01/15	DESCRIPTION:
---------------------------	--------------

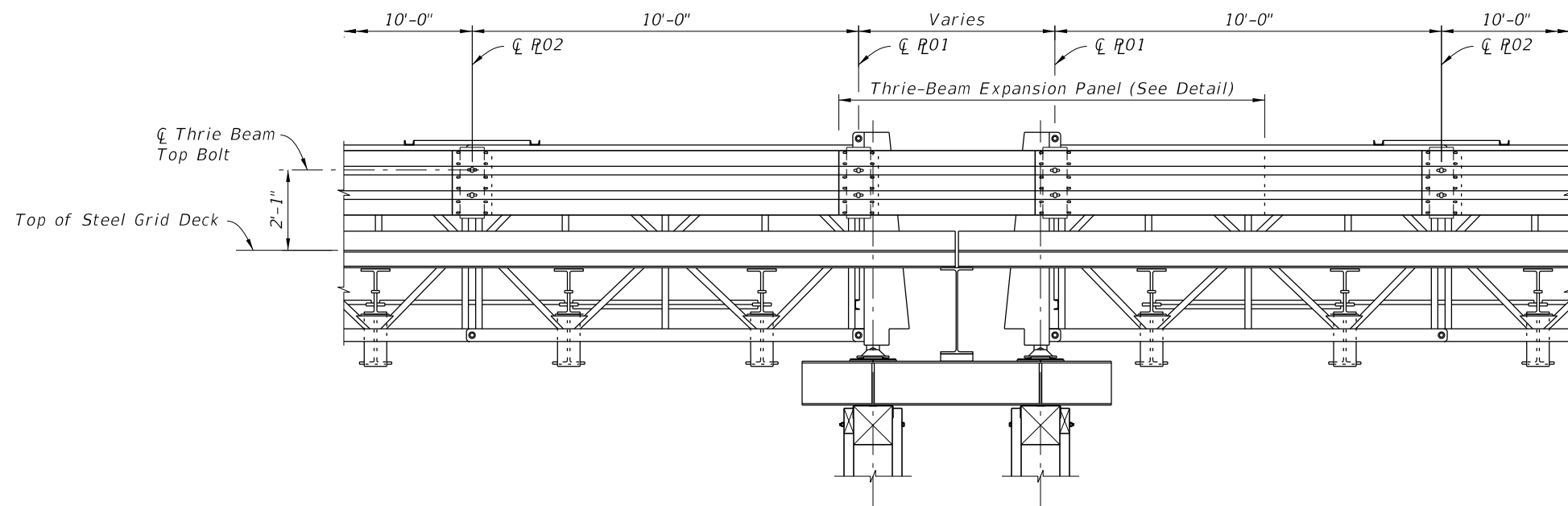

 FY 2022-23  
 STANDARD PLANS

TEMPORARY DETOUR BRIDGE  
 THRIE-BEAM GUARDRAIL

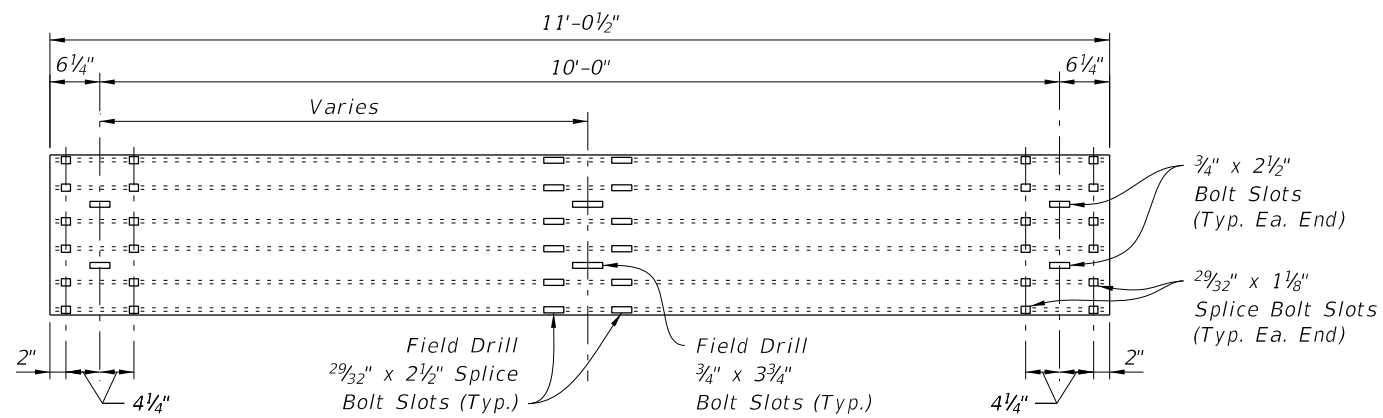
INDEX 102-240	SHEET 3 of 6
------------------	-----------------



PARTIAL ELEVATION SHOWING TYPICAL THRIE-BEAM PANEL ARRANGEMENT



PARTIAL ELEVATION SHOWING THRIE-BEAM PANELS AT EXPANSION JOINT



THRIE-BEAM EXPANSION PANEL DETAIL

9/23/2021 8:03:13 AM

LAST REVISION 07/01/15	DESCRIPTION:
---------------------------	--------------

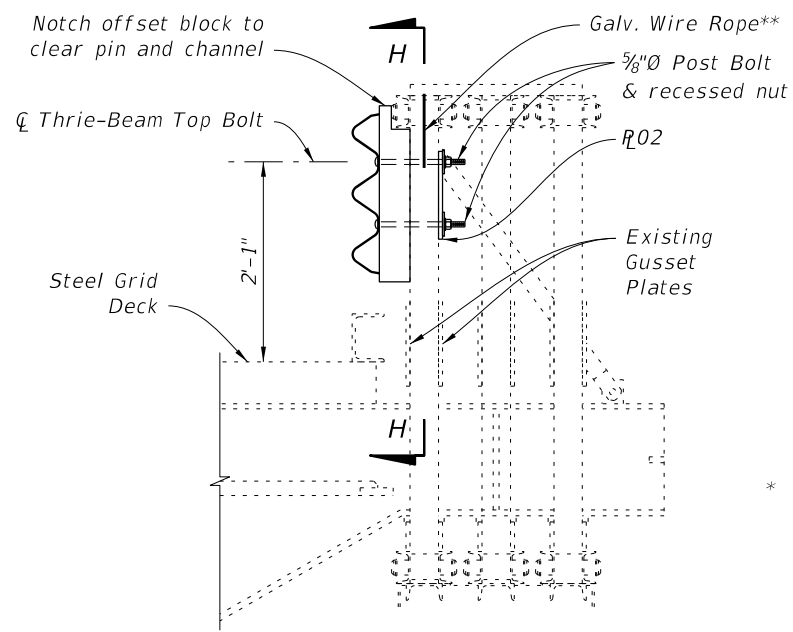


FY 2022-23  
STANDARD PLANS

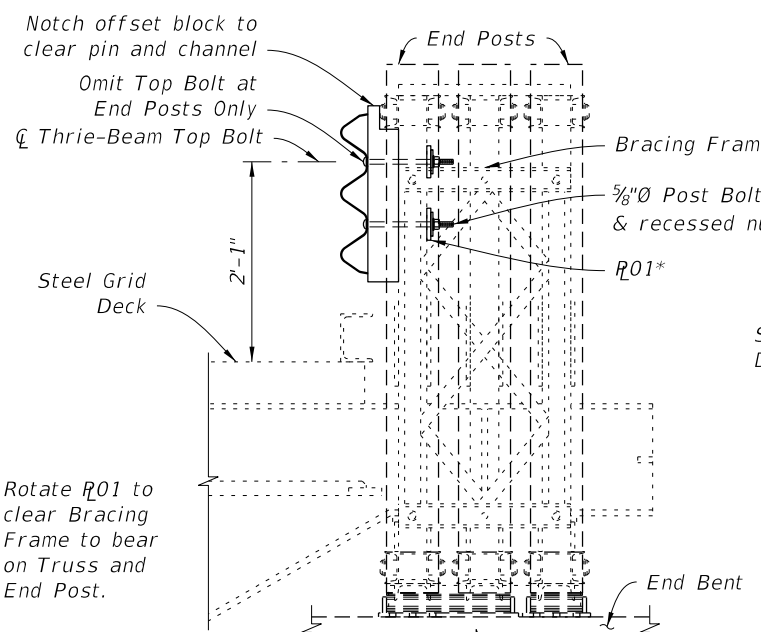
TEMPORARY DETOUR BRIDGE  
THRIE-BEAM GUARDRAIL

INDEX  
102-240

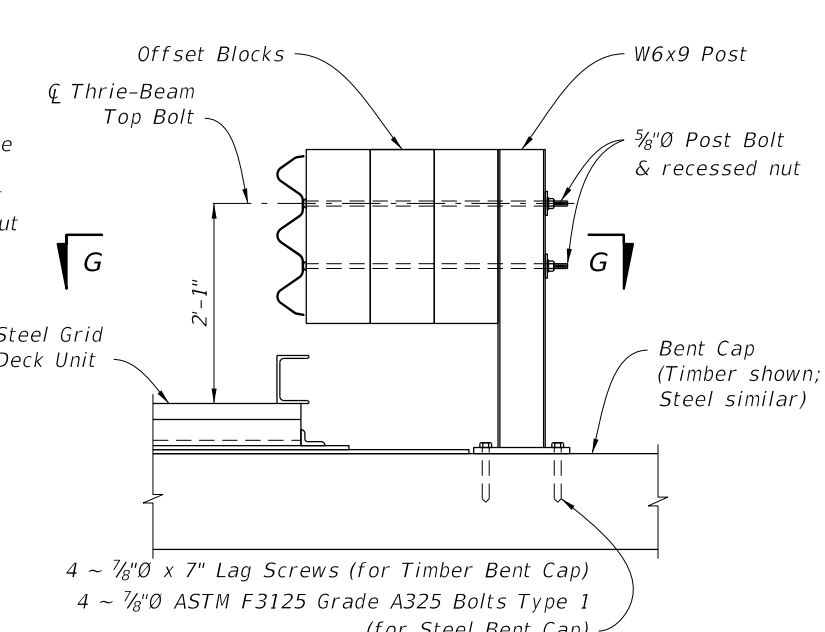
SHEET  
4 of 6



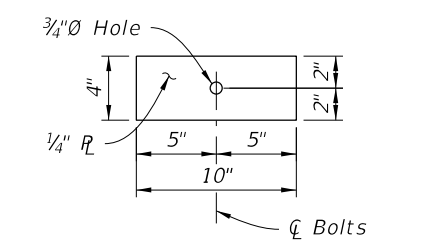
SECTION A-A



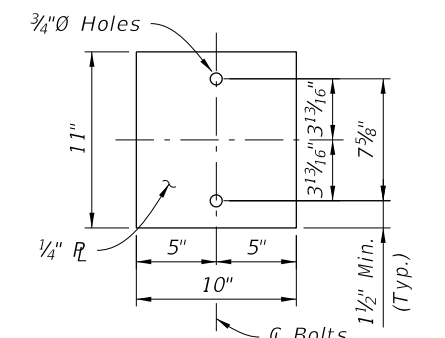
SECTION B-B



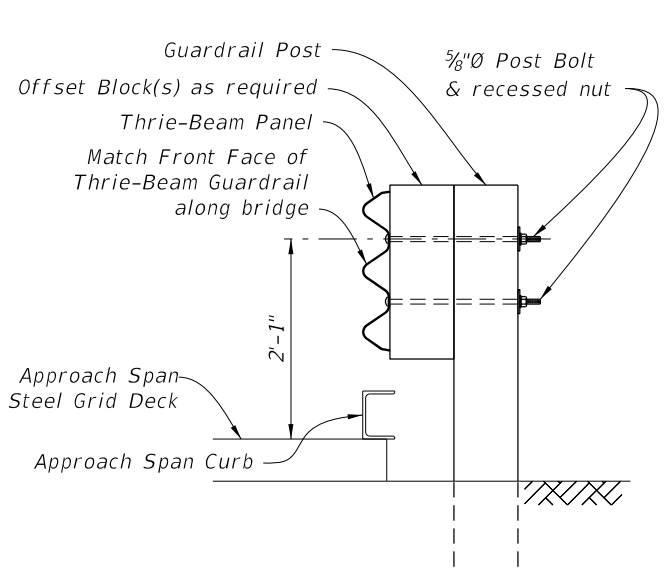
SECTION C-C



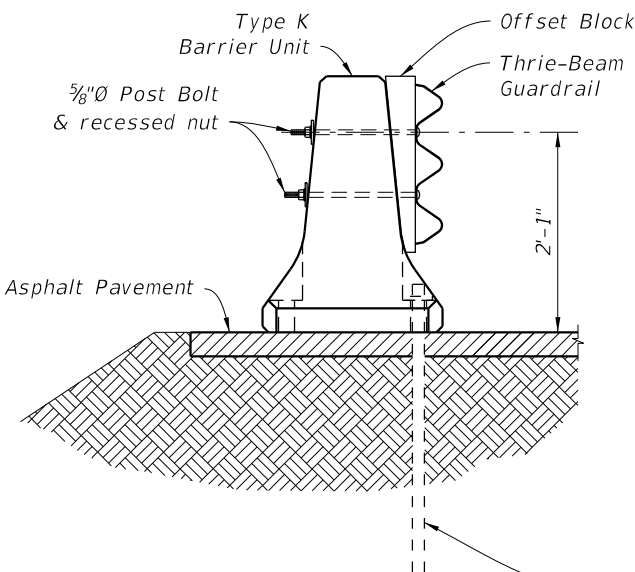
BACKER PLATE R01 DETAIL



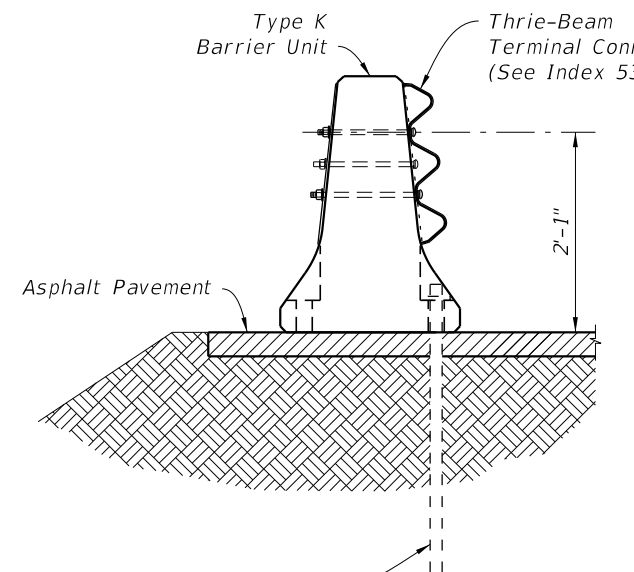
BACKER PLATE R02 DETAIL



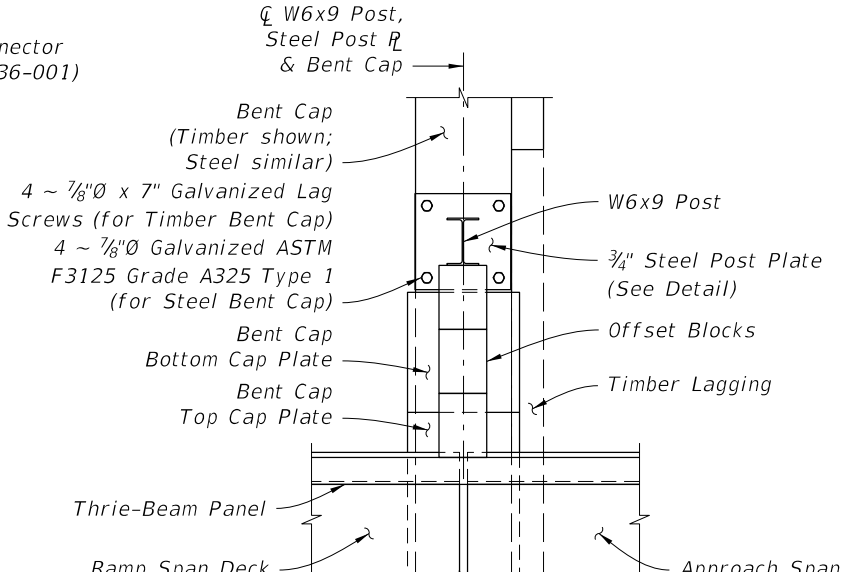
SECTION D-D



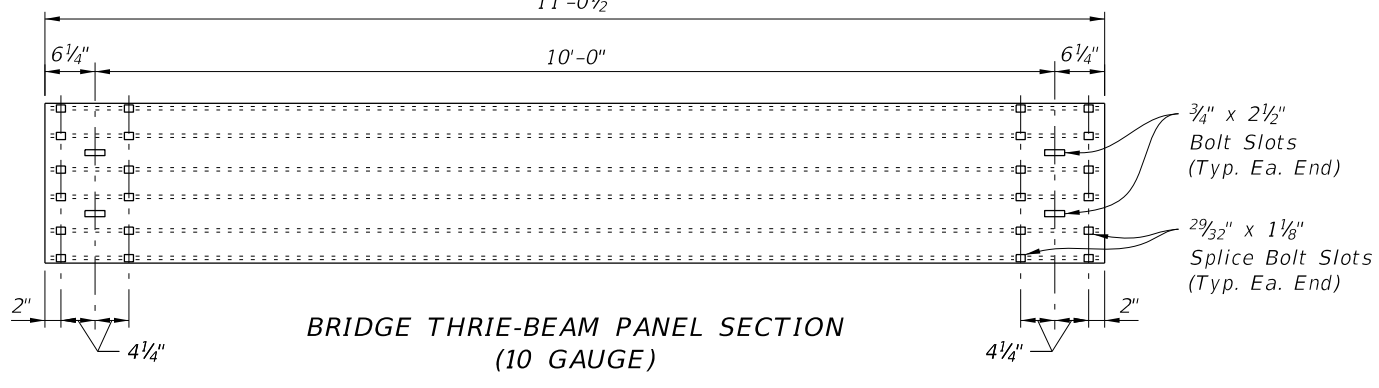
SECTION E-E



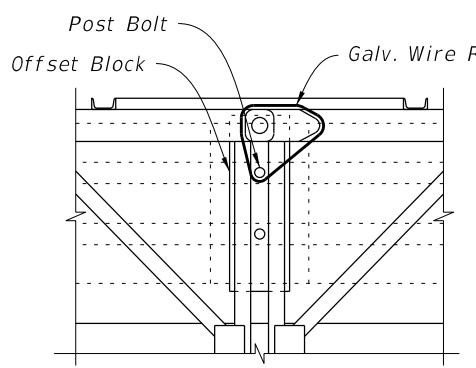
SECTION F-F



VIEW G-G  
(Adjacent Post and Offset Blocks not shown for clarity)

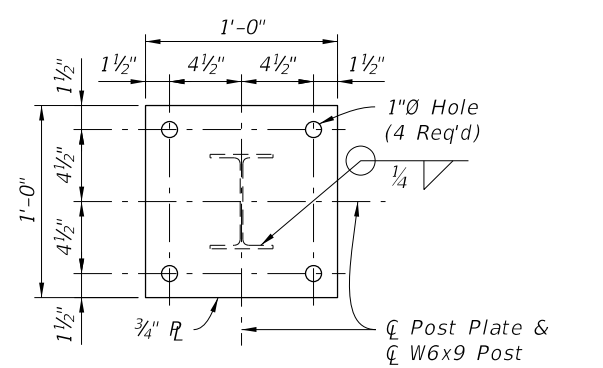


BRIDGE THRIE-BEAM PANEL SECTION  
(10 GAUGE)



SECTION H-H

\*\* As directed by the Engineer in order to limit vibration induced vertical displacement of the Thrie-Beam Panels, provide Contractor supplied, one time use, commercially available 3/16" (Min.) Galvanized Wire Rope w/ Ferrules (or other approved wire type) positioned and tensioned as required to secure the Panels.



STEEL POST PLATE DETAIL

SECTIONS AND DETAILS

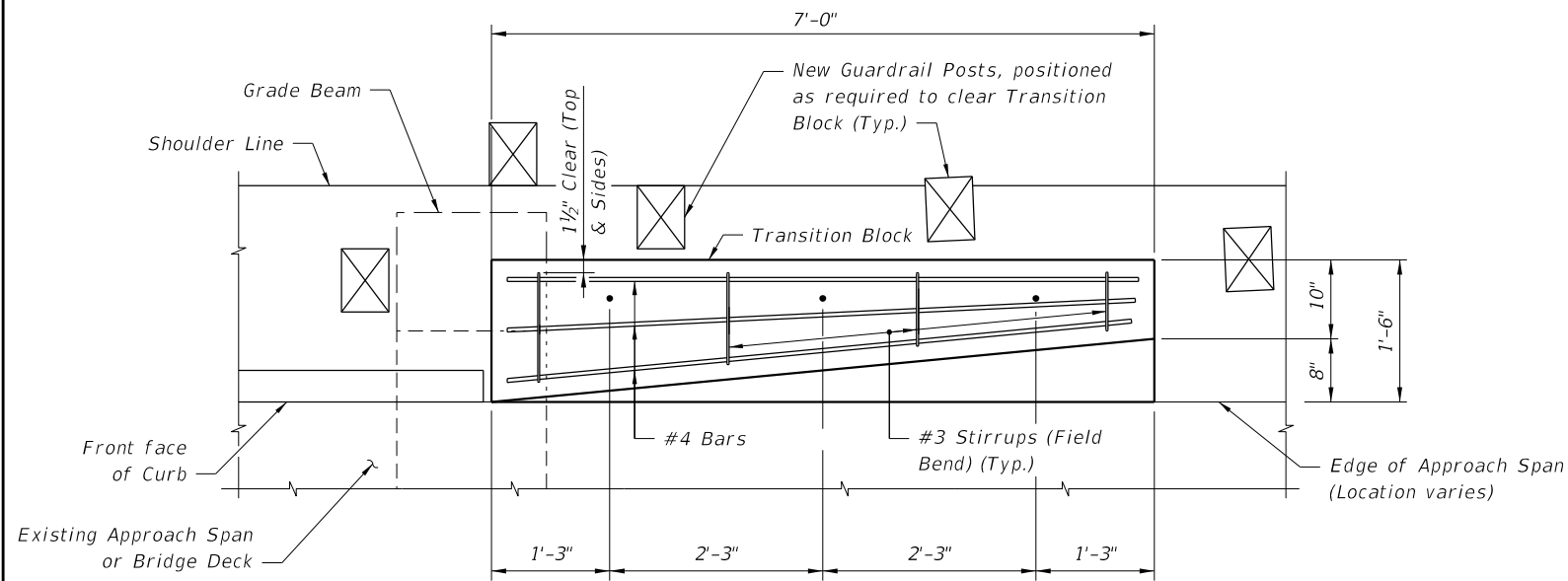
9/23/2021 8:03:14 AM

LAST REVISION 11/01/16	DESCRIPTION:
---------------------------	--------------

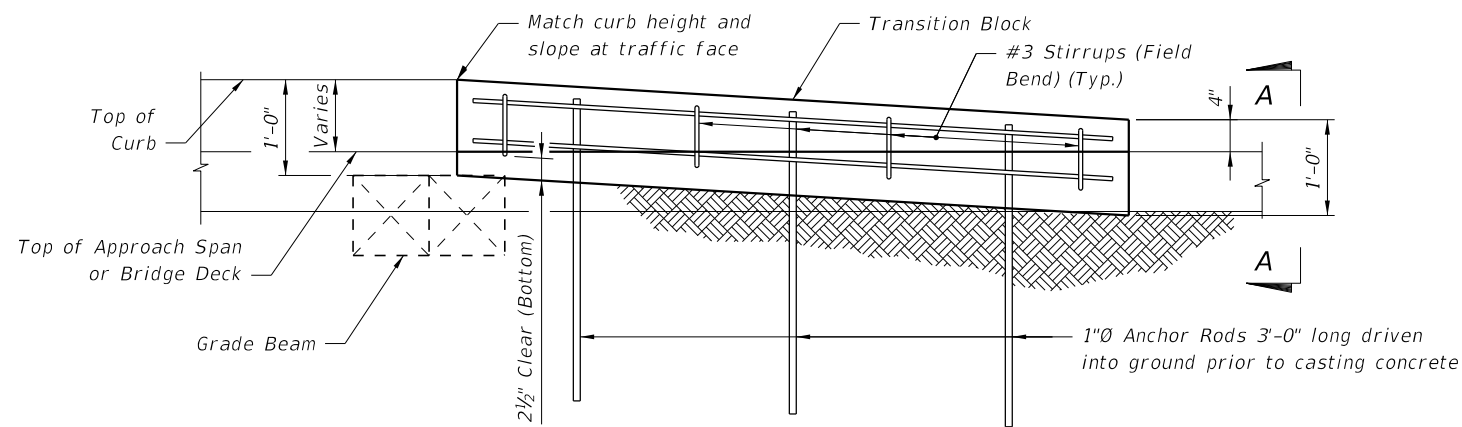
**FY 2022-23  
STANDARD PLANS**

**TEMPORARY DETOUR BRIDGE  
THRIE-BEAM GUARDRAIL**

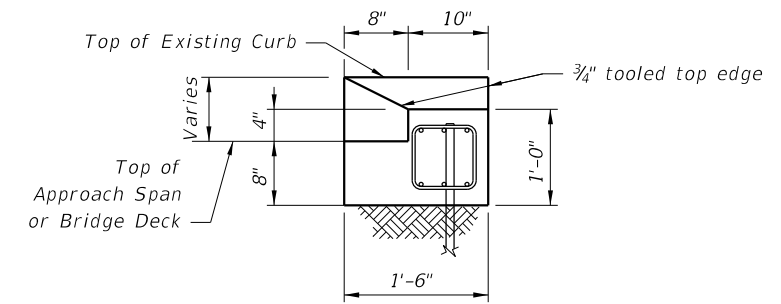
INDEX 102-240	SHEET 5 of 6
------------------	-----------------



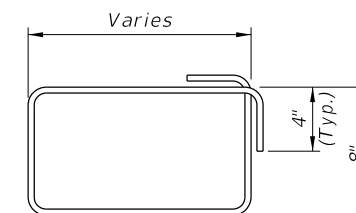
PLAN VIEW OF TRANSITION BLOCK  
(GUARDRAIL NOT SHOWN FOR CLARITY)



ELEVATION OF TRANSITION BLOCK  
(GUARDRAIL AND POSTS NOT SHOWN FOR CLARITY)



END VIEW A-A



#3 STIRRUP (FIELD BEND)

NOTES:

REINFORCING STEEL: Reinforcing steel shall be ASTM A615, Grade 60.

ANCHOR RODS: Steel Anchor Rods shall be ASTM A36, ASTM A709 Grade 36 or ASTM A615 Grade 60 hot-dip galvanized in accordance with Specification Section 962.

ESTIMATED QUANTITIES

ITEM	UNIT	QUANTITY
Concrete Class NS	CY	0.4
Reinforcing Steel	LB	61
Guardrail (Reset)	LF	12.5

9/23/2021 8:03:18 AM

LAST REVISION 07/01/13	DESCRIPTION:
---------------------------	--------------



FY 2022-23  
STANDARD PLANS

TEMPORARY DETOUR BRIDGE  
THREE-BEAM GUARDRAIL

INDEX  
102-240

SHEET  
6 of 6