

FIXED BEARING KEEPER BAR DETAIL

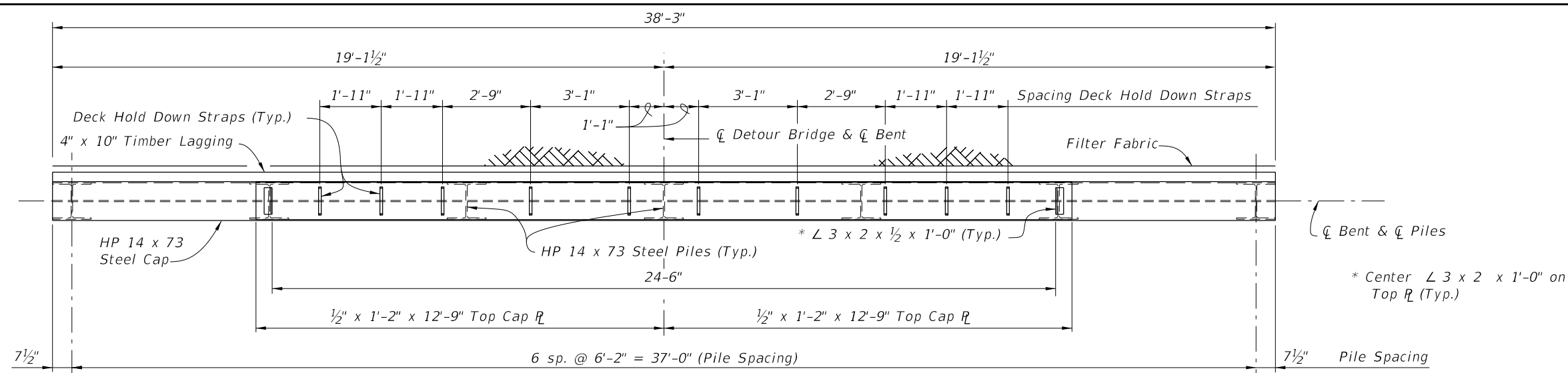
===== **FIXED BEARING DETAILS** =====

EXPANSION BEARING KEEPER BAR DETAIL

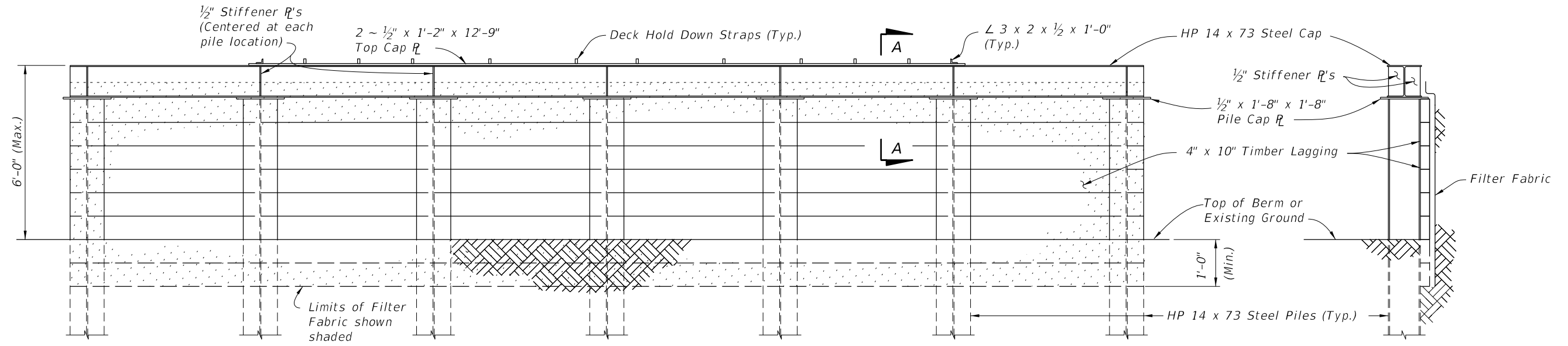
===== **EXPANSION BEARING DETAILS** =====

9/23/2021 8:02:02 AM

LAST REVISION 01/01/16	REVISION	DESCRIPTION:
---------------------------	----------	--------------

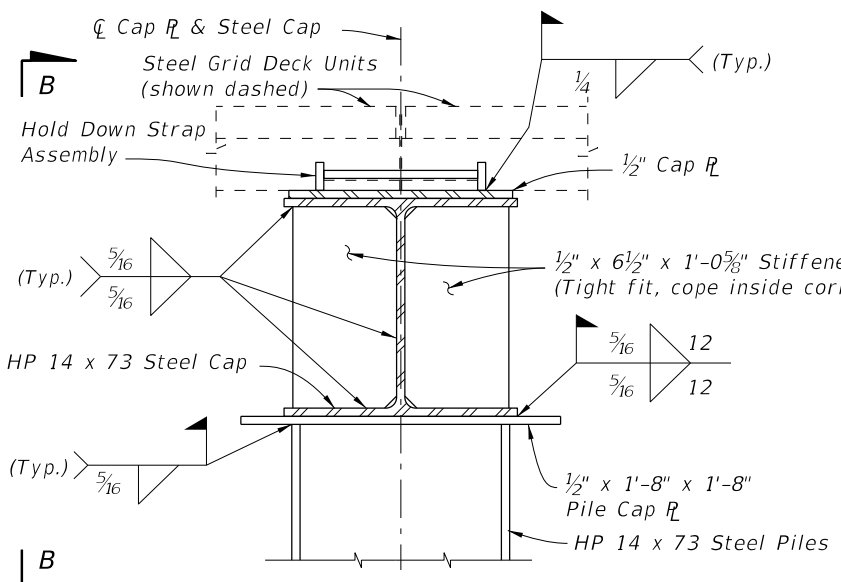


PLAN VIEW

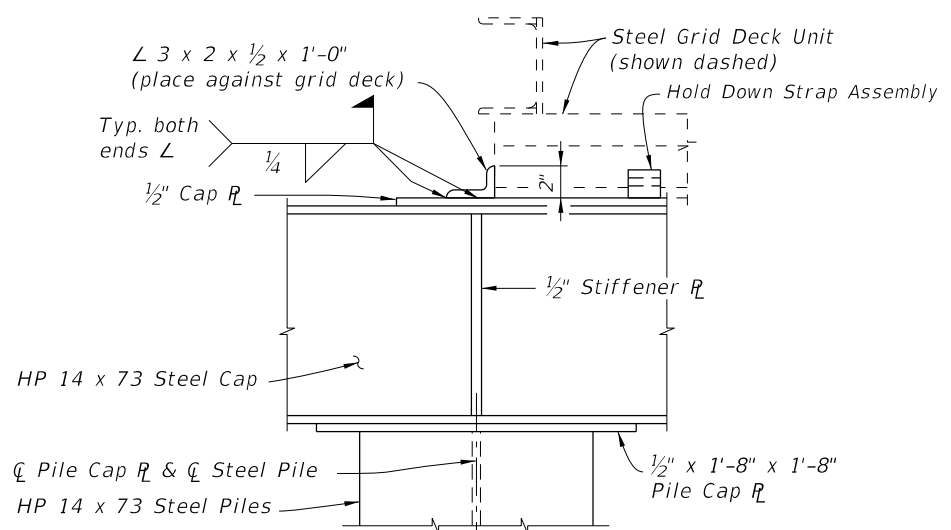


ELEVATION VIEW

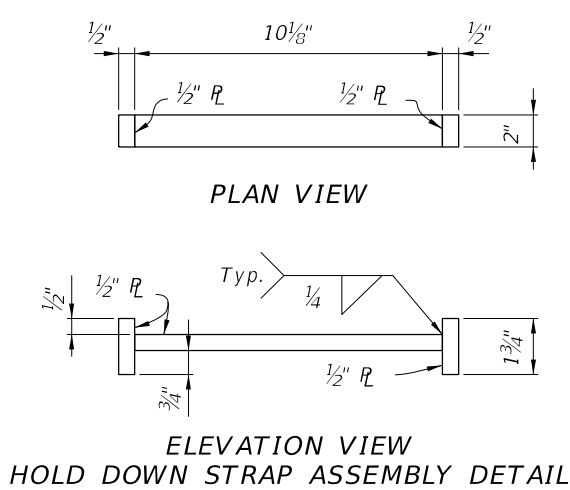
END VIEW



SECTION A-A
(LAGGING NOT SHOWN FOR CLARITY)



VIEW B-B



PLAN VIEW

ELEVATION VIEW
HOLD DOWN STRAP ASSEMBLY DETAIL

BACKWALL BENT DETAILS

9/23/2021 8:02:05 AM

LAST REVISION 07/01/06	REVISION	DESCRIPTION:		FY 2022-23 STANDARD PLANS	TEMPORARY DETOUR BRIDGE DETAILS STEEL H PILE FOUNDATIONS	INDEX 102-220	SHEET 2 of 2
---------------------------	----------	--------------	--	------------------------------	---	------------------	-----------------