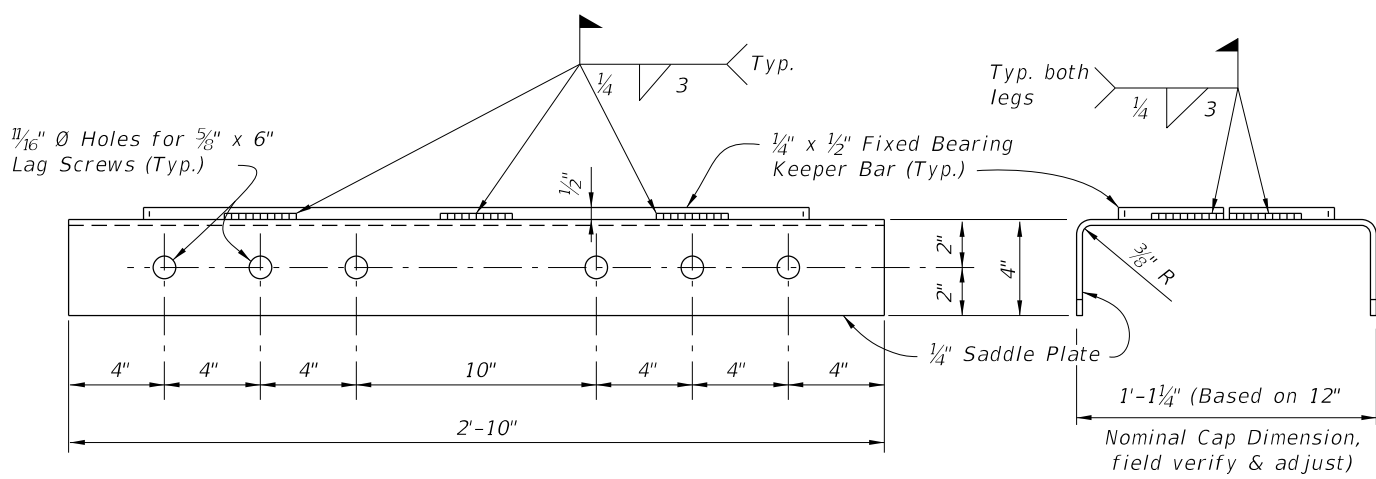


PLAN VIEW

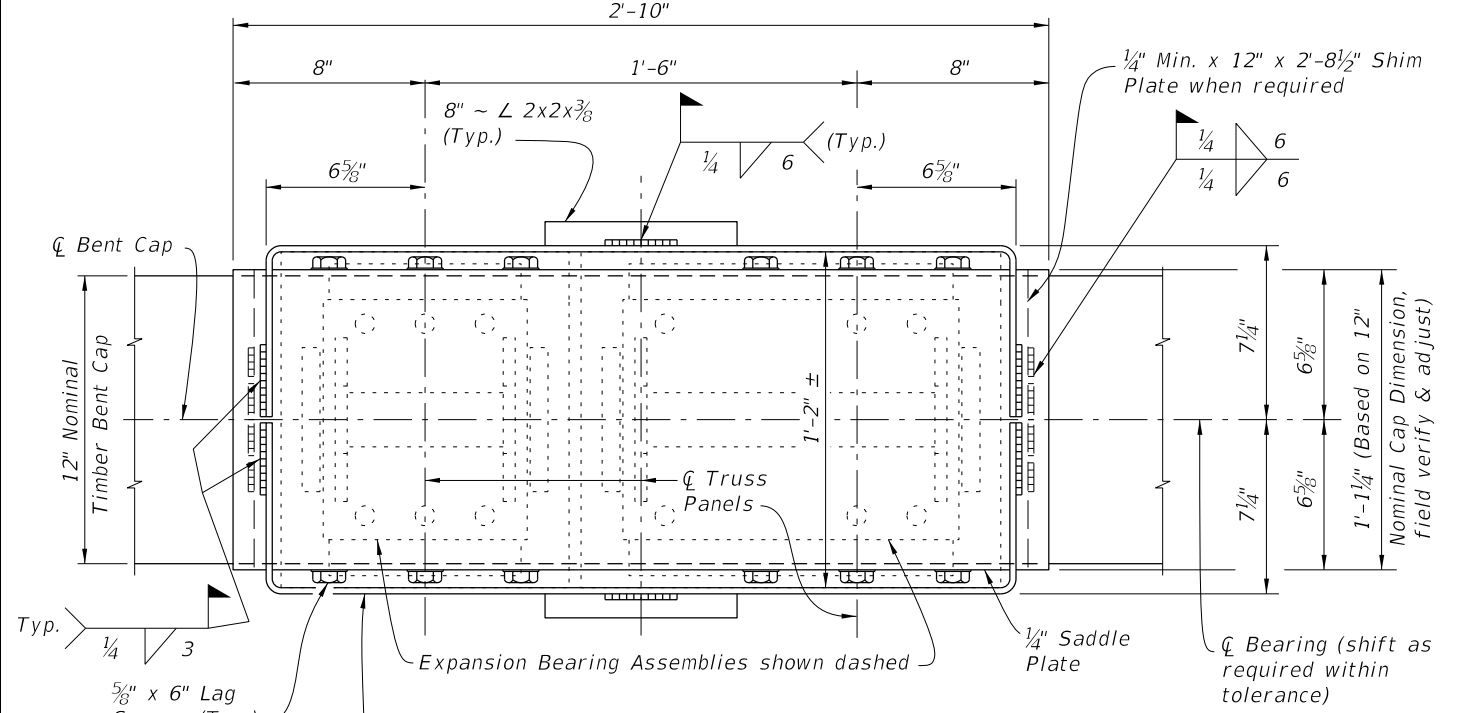


ELEVATION VIEW OF SADDLE PLATE

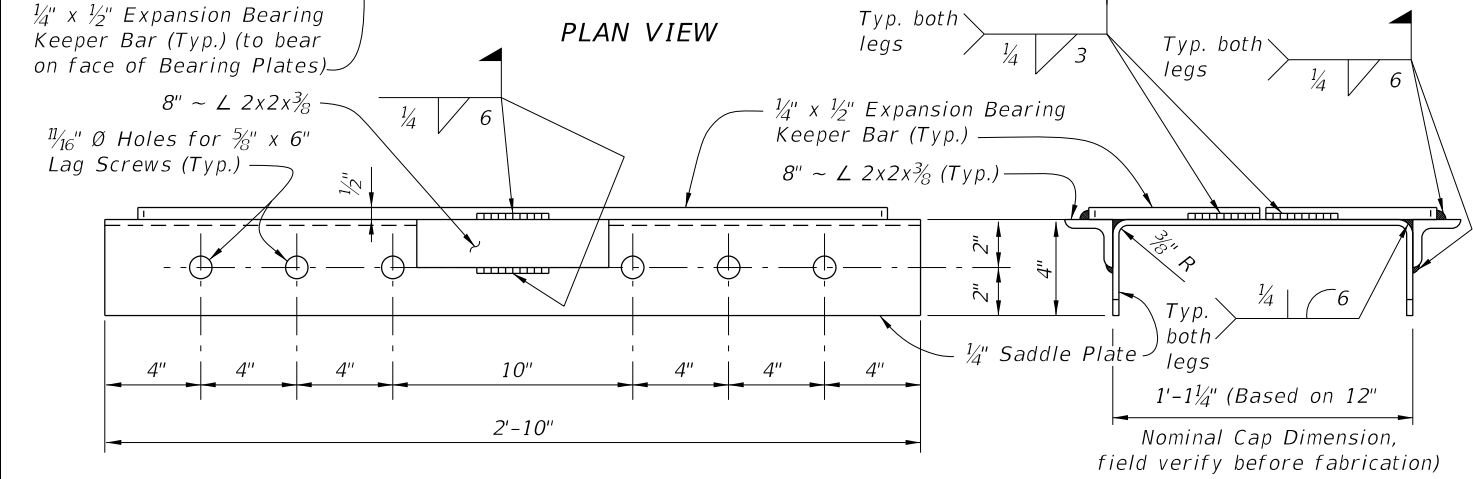
END VIEW

FIXED BEARING KEEPER BAR DETAIL

FIXED BEARING DETAILS



PLAN VIEW




ELEVATION VIEW OF SADDLE PLATE

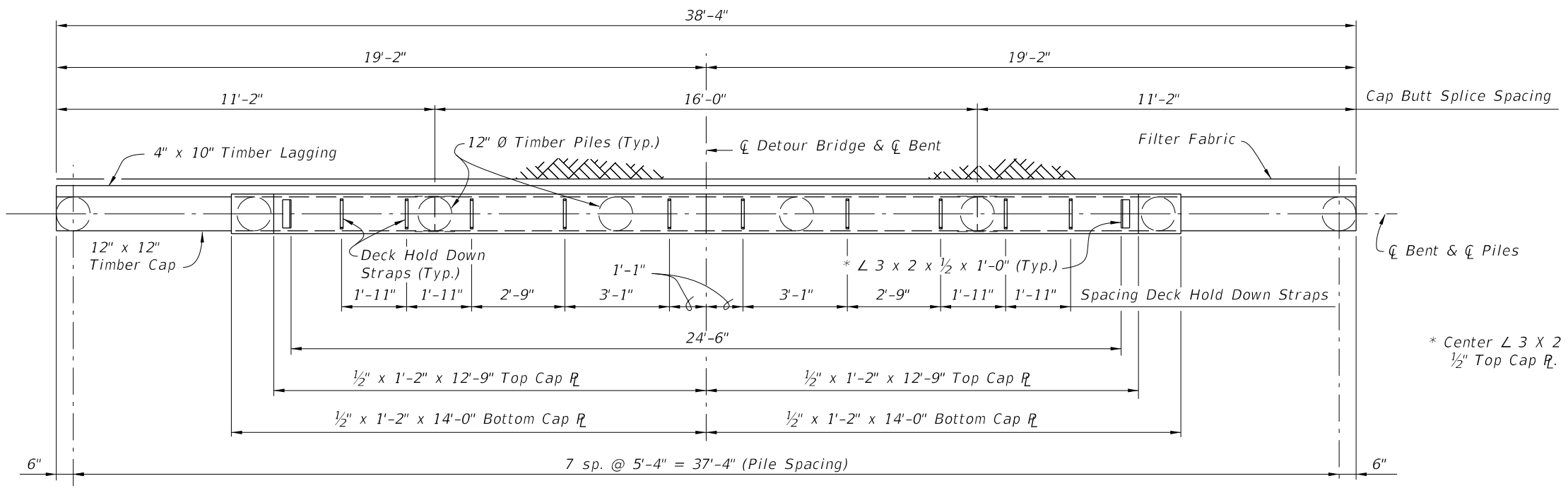
END VIEW

EXPANSION BEARING KEEPER BAR DETAIL

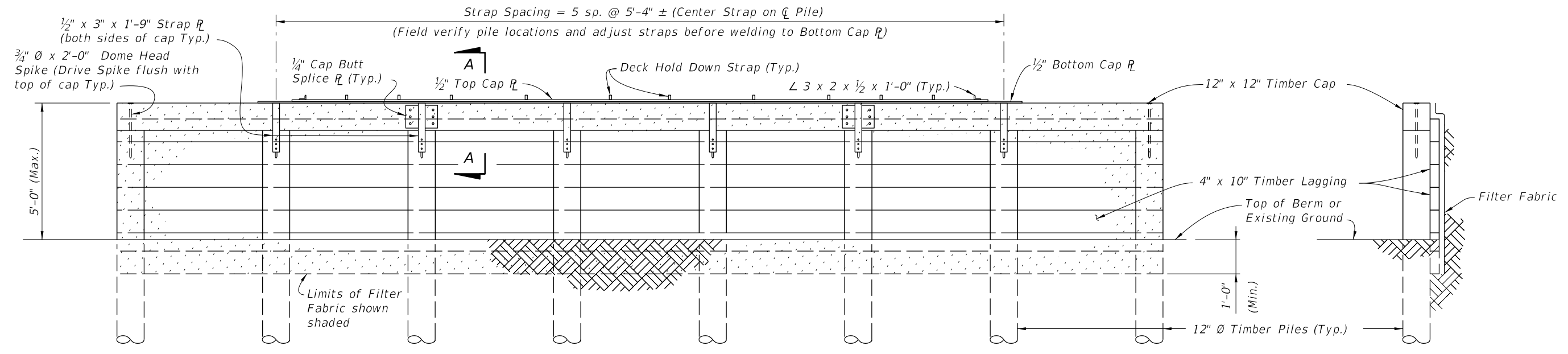
EXPANSION BEARING DETAILS

9/23/2021 8:01:29 AM

LAST REVISION 01/01/16	REVISION	DESCRIPTION:	 FY 2022-23 STANDARD PLANS	TEMPORARY DETOUR BRIDGE TIMBER PILE FOUNDATIONS	INDEX 102-210	SHEET 1 of 3
---------------------------	----------	--------------	--	--	------------------	-----------------



PLAN VIEW



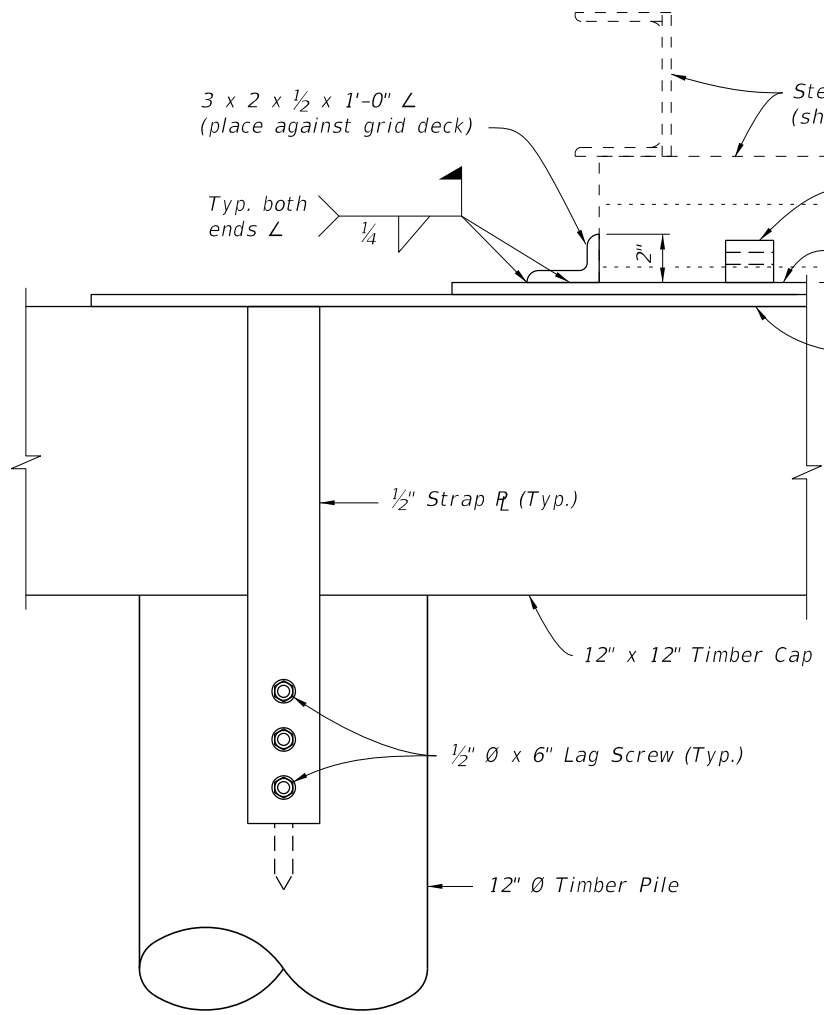
ELEVATION VIEW

END VIEW

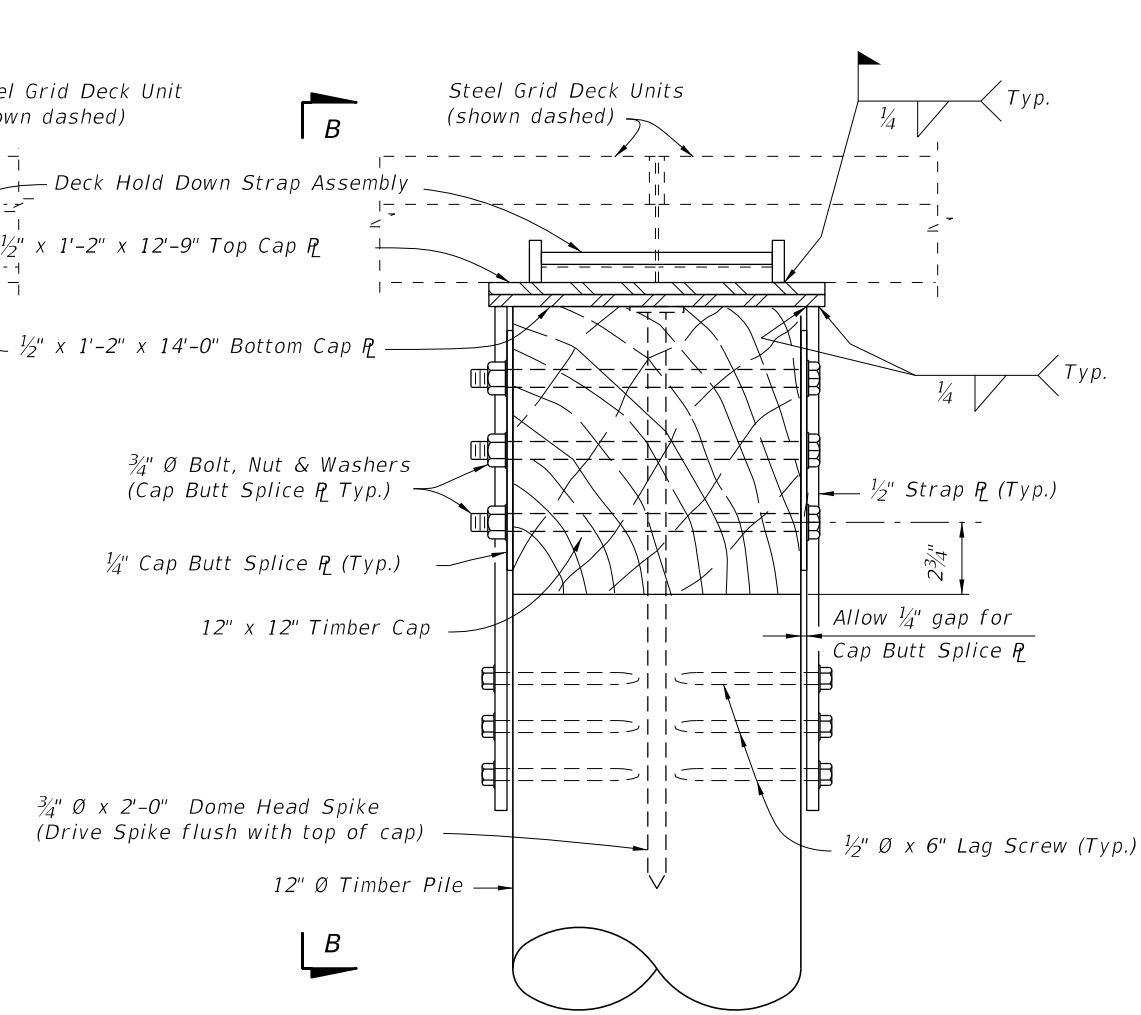
BACKWALL BENT DETAILS

9/23/2021 8:01:32 AM

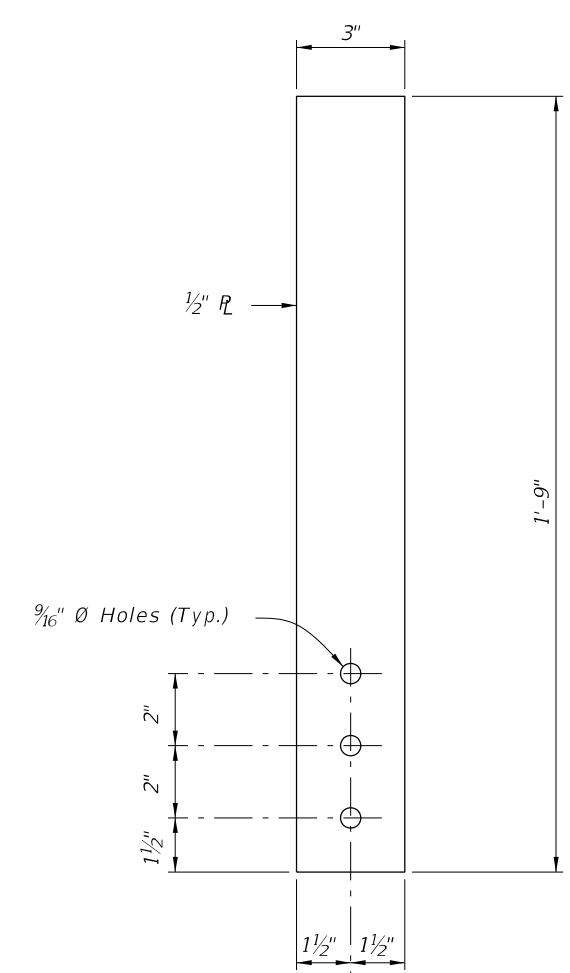
LAST REVISION 07/01/06	REVISION	DESCRIPTION:	 FY 2022-23 STANDARD PLANS	TEMPORARY DETOUR BRIDGE TIMBER PILE FOUNDATIONS	INDEX 102-210	SHEET 2 of 3
---------------------------	----------	--------------	--	--	------------------	-----------------



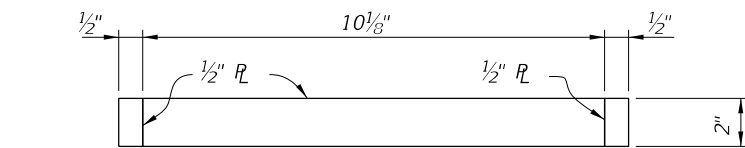
VIEW B-B
 (SHOWING END OF CAP PLATES)



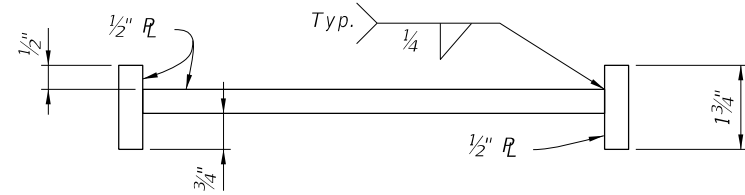
SECTION A-A



STRAP PLATE DETAIL

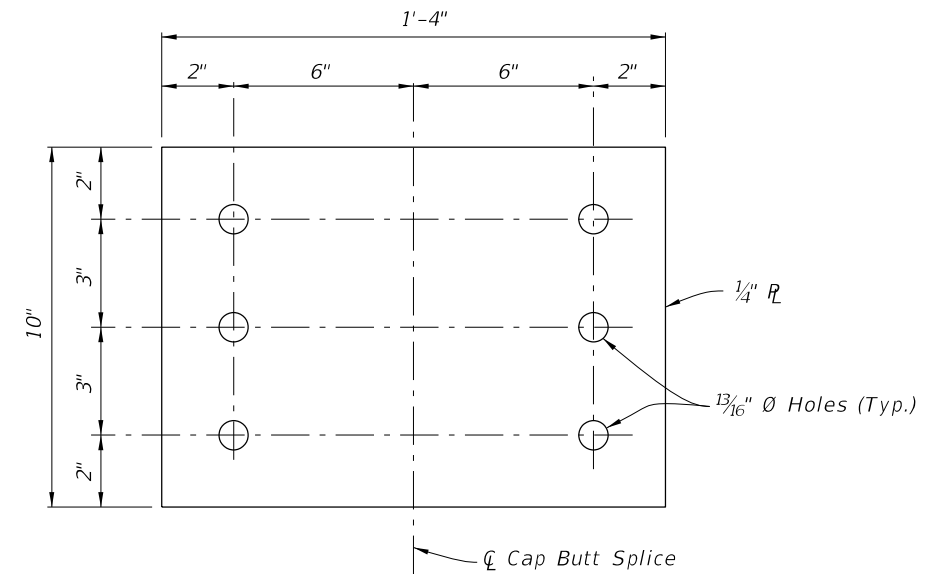


PLAN VIEW



ELEVATION VIEW

HOLD DOWN STRAP ASSEMBLY DETAIL



CAP BUTT SPLICE PLATE DETAIL

BACKWALL BENT DETAILS

9/23/2021 8:01:32 AM

LAST REVISION	DESCRIPTION:
07/01/06	



FY 2022-23
 STANDARD PLANS

TEMPORARY DETOUR BRIDGE
 TIMBER PILE FOUNDATIONS

INDEX
 102-210

SHEET
 3 of 3