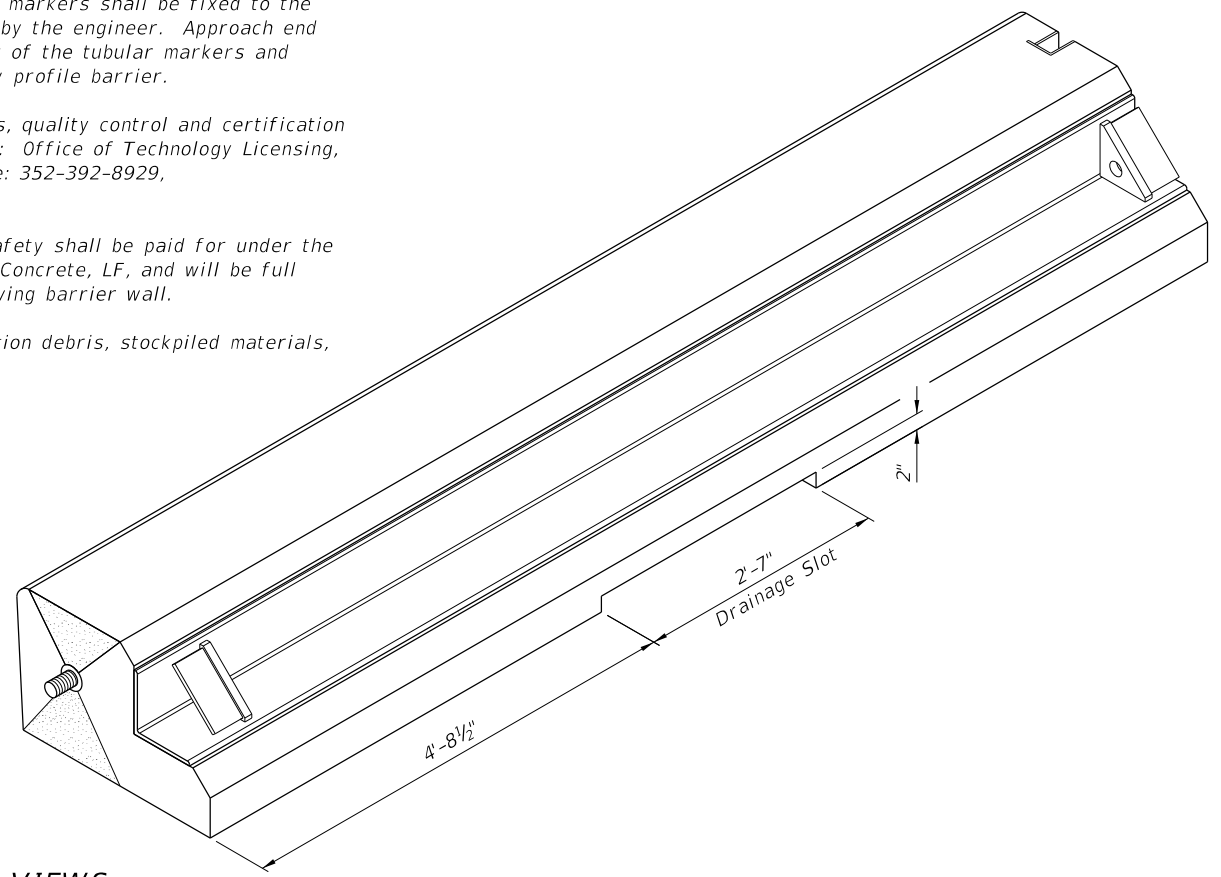
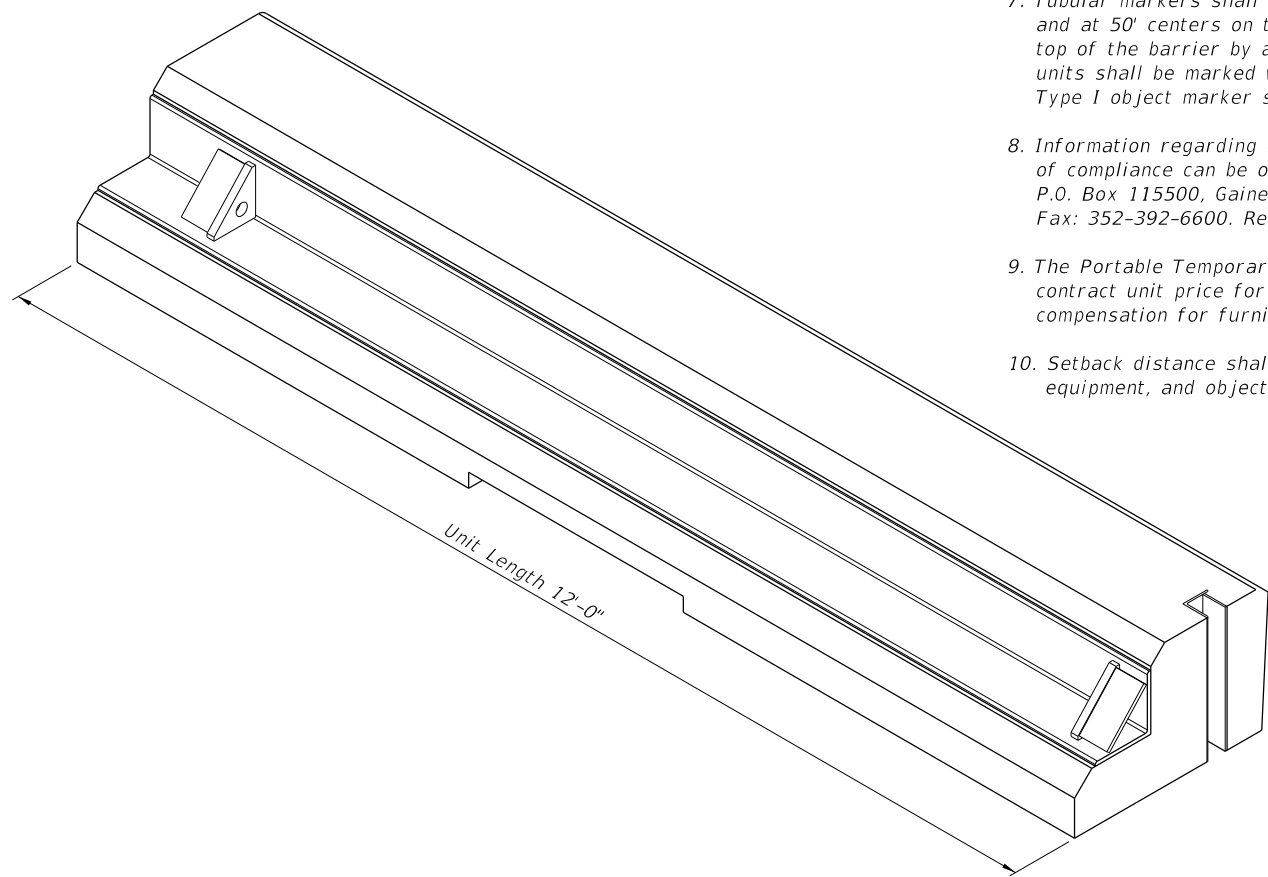


**GENERAL NOTES:**

1. Pursuant to 35 United States Code, Chapter 18, also known as the Bayh Dole Act of 1980, the non mountable curb was developed through federal funding. The 'Portable Temporary Low Profile Barrier For Roadside Safety' is a licensed design by the University Of Florida. Any infringement on the rights of the designer shall be the sole responsibility of the user.
2. This Index is provided by the Florida Department Of Transportation solely for use by the Department and its assignees. The purpose for this Index is to indicate the approval of use of the barrier on the State Highway System; to provide sufficient pictorials for identifying the barrier unit; and, to provide general installation geometry for the barrier.
3. This legally mandated relationship is unique to federally funded University patents that Department contractors use on Contracts. Pursuant to federal law, the University may pursue royalties for a valid patent. Only those barrier units cast by producers licensed by the University Of Florida will be allowed for installation on the State Highway System in Florida. Barrier wall units shall conform to Specification 521 and shall be produced in Department-approved plants with quality control plans for precasting concrete barrier walls. Each barrier wall unit shall be permanently marked with an identification that is traceable to the manufacturer, the producing precast concrete plant and the date of production. This permanent identification mark will serve as certification that the unit has been manufactured in accordance with University of Florida drawings and specifications, and the approved quality control program.
4. The low profile barrier is to be installed only with hardware and accessories furnished by the licensed barrier producer. Units shall be used for no purpose other than as interconnected segments in a run of barrier. Low profile barrier wall units shall maintain firm contact with adjoining units. Nuts on tensioning rods shall be installed snug tight.
5. The low profile barrier is applicable for work zone speeds of 45 mph or less.
6. If the plans specify Low Profile Barrier then substitution with other barrier types is not permitted.
7. Tubular markers shall be orange in color and installed along the run of barrier at the ends and at 50' centers on tangents and 25' centers on radii. The markers shall be fixed to the top of the barrier by an adhesive or other method approved by the engineer. Approach end units shall be marked with a Type I object marker. The cost of the tubular markers and Type I object marker shall be included in the cost of the low profile barrier.
8. Information regarding licensing, shop drawings, specifications, quality control and certification of compliance can be obtained from the University Of Florida: Office of Technology Licensing, P.O. Box 115500, Gainesville, Florida, 32611-5500. Telephone: 352-392-8929, Fax: 352-392-6600. Reference UF#11052.
9. The Portable Temporary Low Profile Barrier For Roadside Safety shall be paid for under the contract unit price for Barrier Wall (Temporary) Low Profile Concrete, LF, and will be full compensation for furnishing, installing, maintaining and removing barrier wall.
10. Setback distance shall be kept clear of any grass, construction debris, stockpiled materials, equipment, and objects.

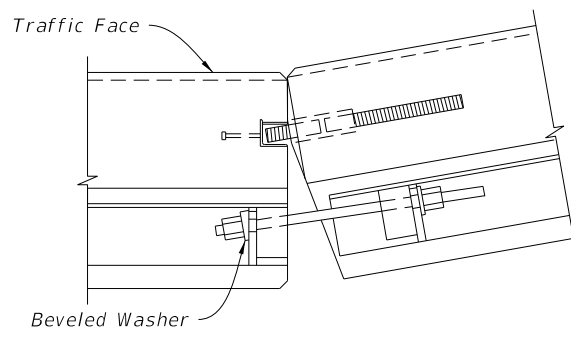


BACKSIDE AND END PICTORIAL VIEWS

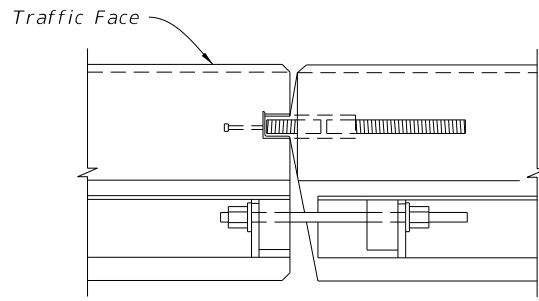
**PORTABLE TEMPORARY LOW PROFILE BARRIER FOR ROADSIDE SAFETY**

9/23/2021 2:39:27 PM

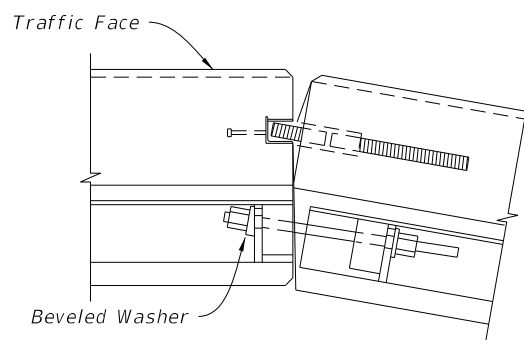
LAST REVISION 11/01/19	REVISION	DESCRIPTION:	 FY 2022-23 STANDARD PLANS	LOW PROFILE BARRIER	INDEX 102-120	SHEET 1 of 5
---------------------------	----------	--------------	--	---------------------	------------------	-----------------



CONCAVE CONNECTION

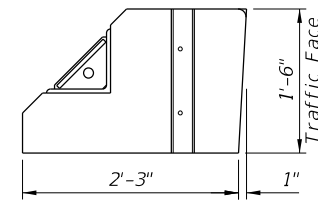


PARALLEL CONNECTION

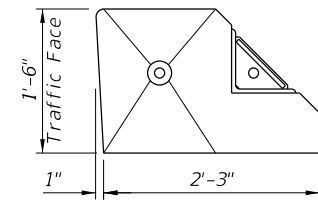


CONVEX CONNECTION

PLAN VIEWS OF CONNECTIONS

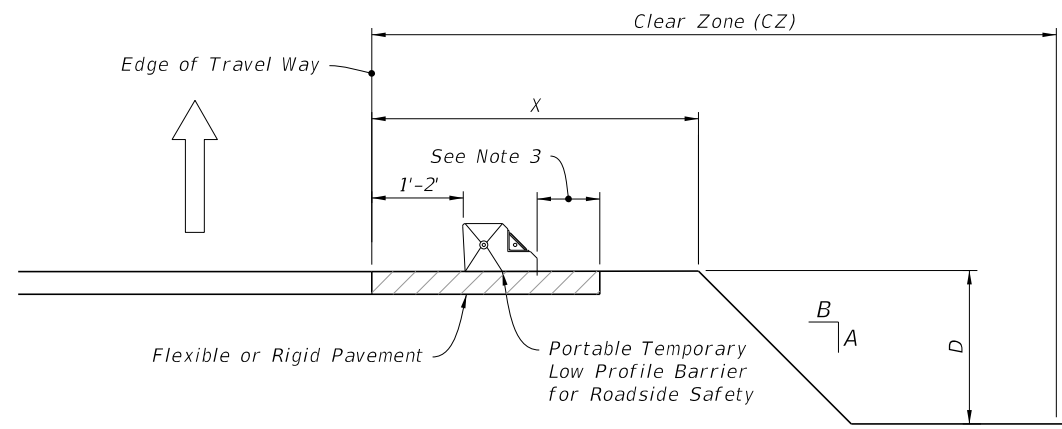


FLAT FACE FEMALE END



BEVELED FACE MALE END

END VIEWS



SETBACK DISTANCE AT DROP-OFFS

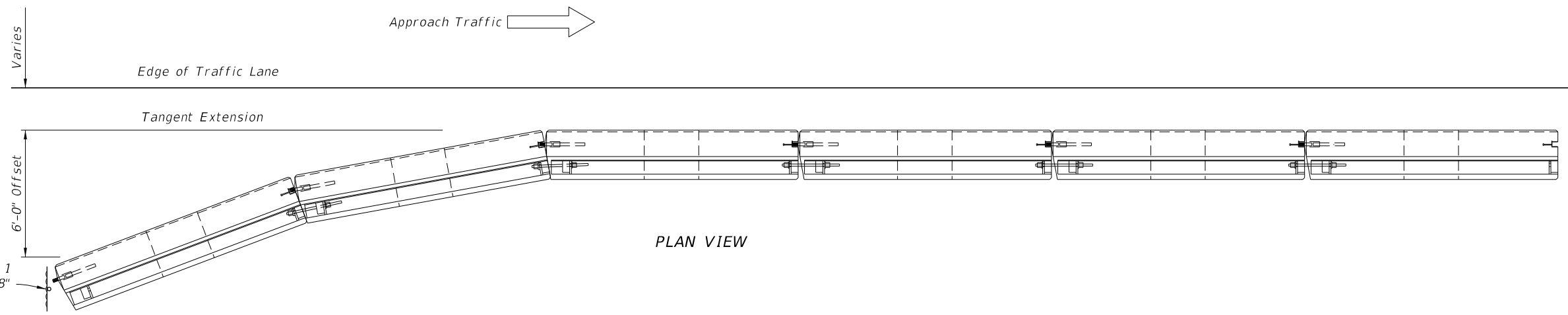
**NOTES:**

1. **LIMITATION OF USE:** This installation technique can only be used on flexible or rigid pavement.
2. **ASPHALT PAD:** Where existing pavement is not present, construct 2" Asphalt Pad using miscellaneous asphalt pavement in accordance with Specification 339 with the exception that the use of a pre-emergent herbicide is not required. Payment for asphalt pad will be included in the cost of the barrier.
3. Minimum 9" on 1:10 or flatter slopes for 'Portable Temporary Low Profile Barrier For Roadside Safety.' For values A, B, D and X see Index 102-600.

**SYMBOLS:**

- Type 1 Object Marker
- ⇒ Direction of Traffic

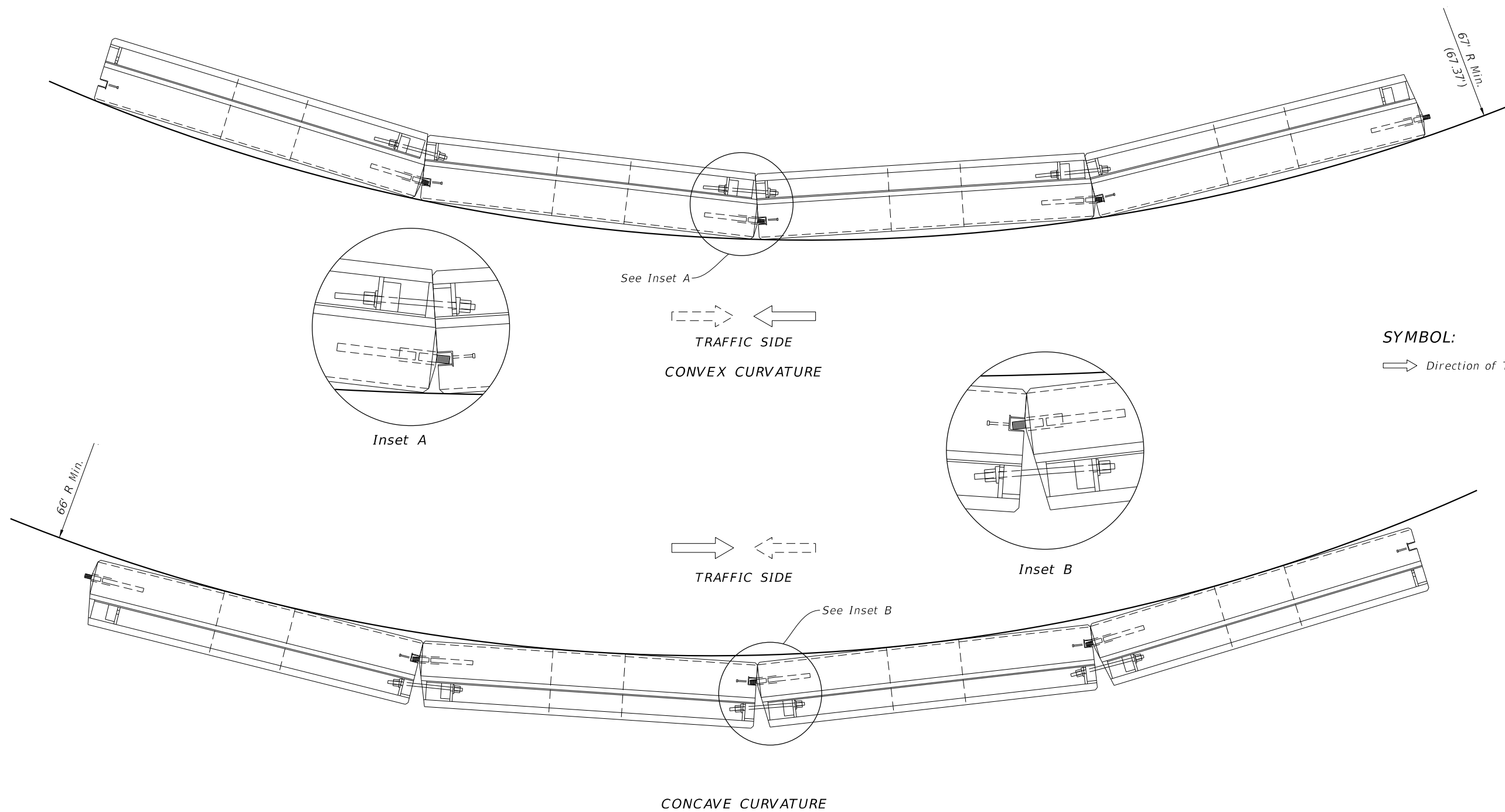
WORK ZONE SPEED	LATERAL OFFSET	SETBACK DISTANCE
45 MPH OR LESS	1' MIN, 2' PREFERRED	9"



PLAN VIEW

APPROACH END OFFSET

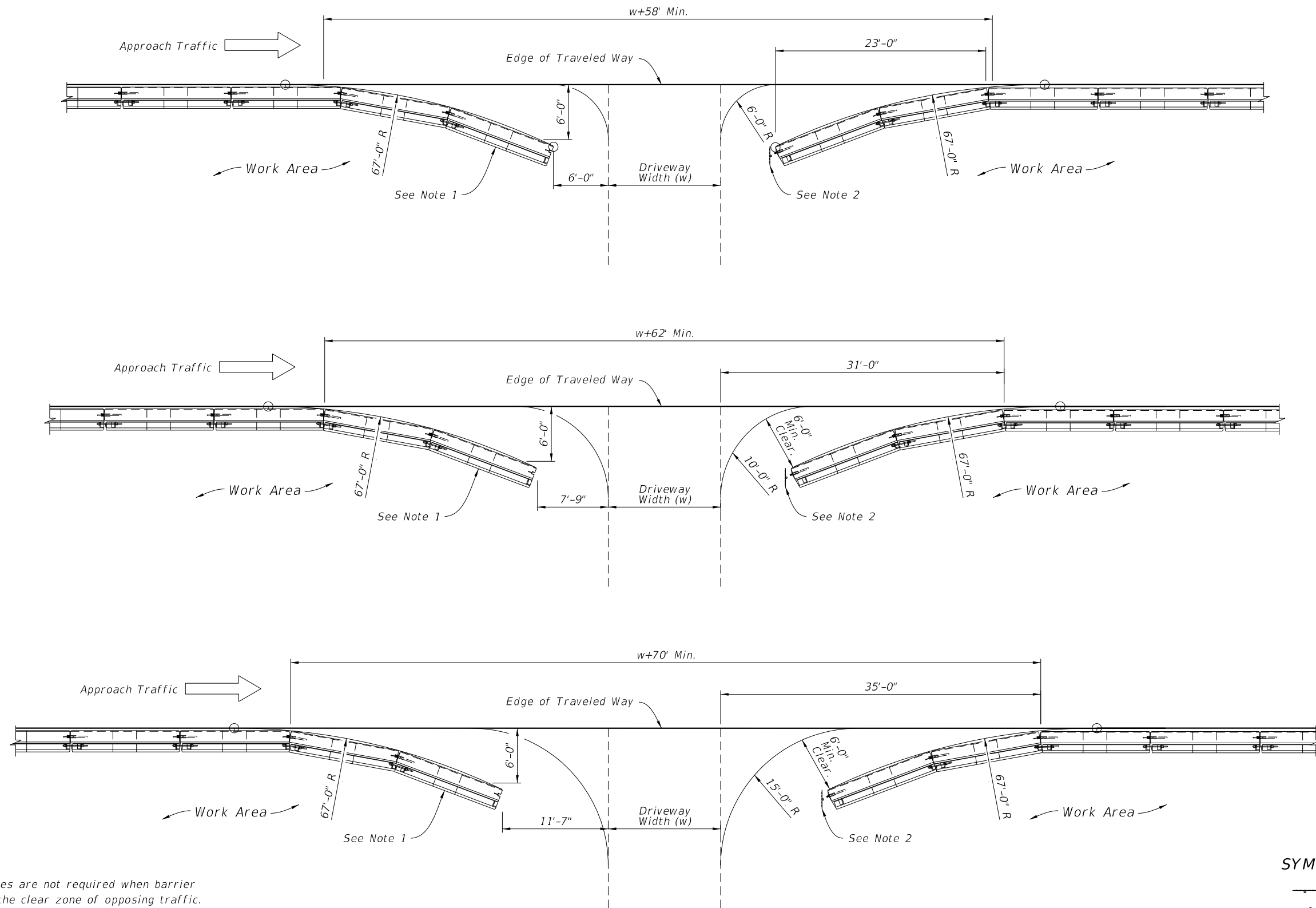
9/23/2021 2:39:28 PM



MAXIMUM CURVATURE - MINIMUM RADIUS

9/23/2021 2:39:28 PM

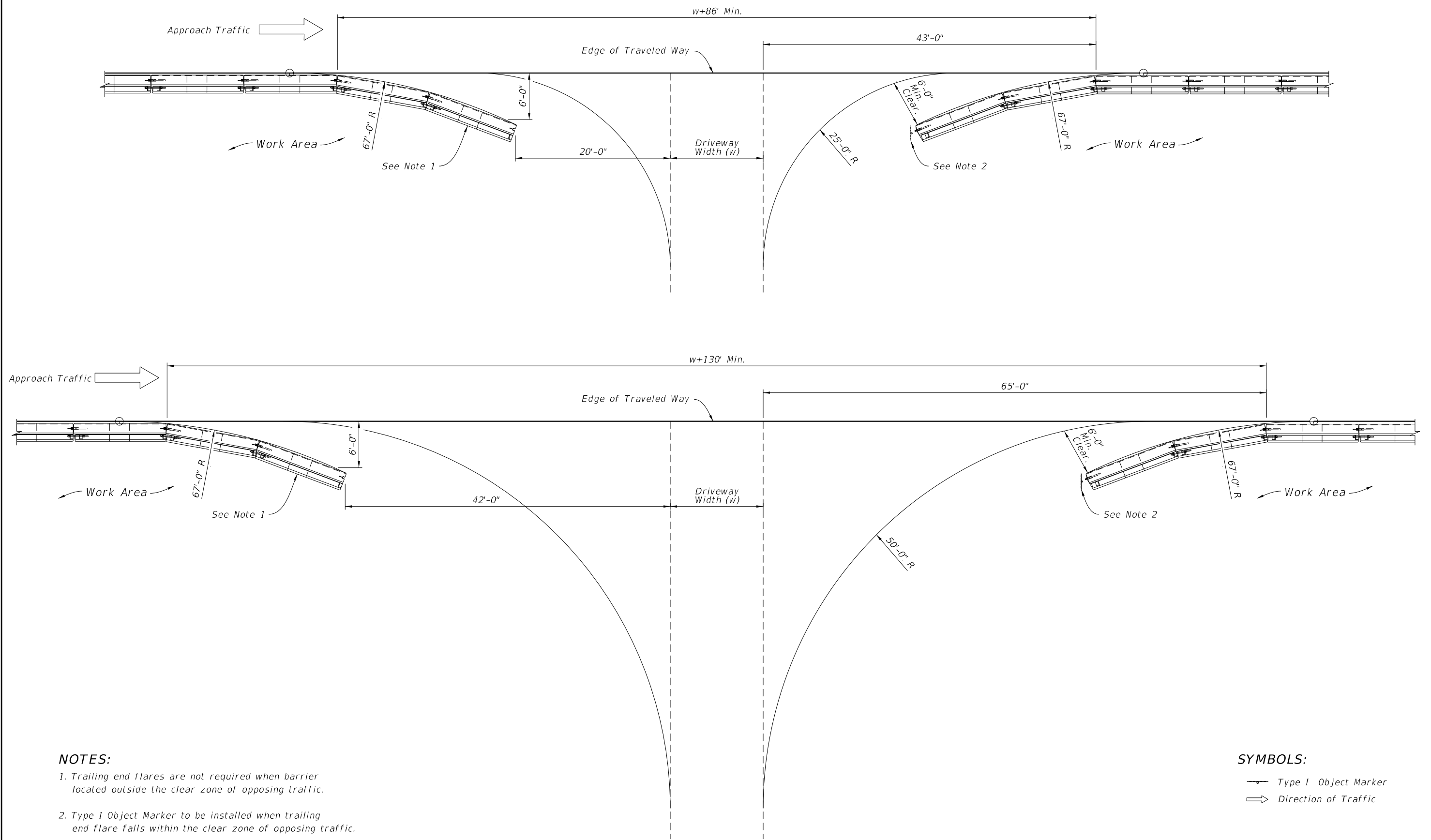
LAST REVISION 11/01/19	REVISION DESCRIPTION:	 FY 2022-23 STANDARD PLANS	LOW PROFILE BARRIER	INDEX 102-120	SHEET 3 of 5
---------------------------	-----------------------	---	---------------------	------------------	-----------------



**BARRIER OPENINGS AT DRIVEWAYS**

9/23/2021 2:39:29 PM

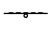
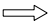
LAST REVISION 11/01/19	DESCRIPTION:	 <b>FY 2022-23 STANDARD PLANS</b>	<b>LOW PROFILE BARRIER</b>	INDEX <b>102-120</b>	SHEET <b>4 of 5</b>
---------------------------	--------------	---	----------------------------	-------------------------	------------------------



**NOTES:**

1. Trailing end flares are not required when barrier located outside the clear zone of opposing traffic.
2. Type I Object Marker to be installed when trailing end flare falls within the clear zone of opposing traffic.

**SYMBOLS:**

-  Type I Object Marker
-  Direction of Traffic

**BARRIER OPENINGS AT DRIVEWAYS**

9/23/2021 2:39:30 PM

LAST REVISION 11/01/19	REVISION	DESCRIPTION:		FY 2022-23 STANDARD PLANS	LOW PROFILE BARRIER	INDEX 102-120	SHEET 5 of 5
---------------------------	----------	--------------	---	------------------------------	---------------------	------------------	-----------------