

ALUMINUM COLUMN (POST) SELECTION TABLE (O.D. in.)

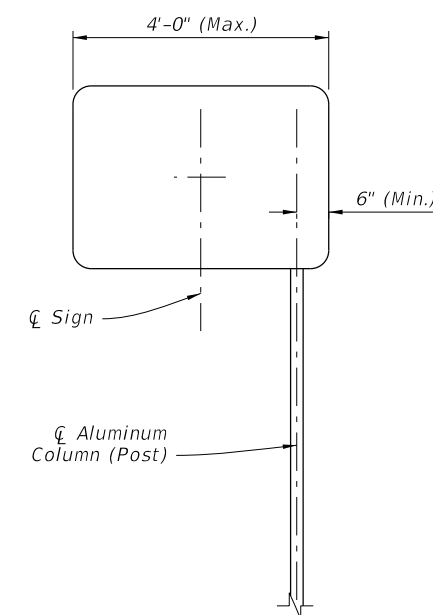
TOTAL PANEL AREA (SF)	'H' (FT)																																																																																																																																																																																																																																																																																																																																																																																																						
	8 ft	9 ft	10 ft	11 ft	12 ft	13 ft	14 ft	15 ft	16 ft	17 ft	18 ft	19 ft	20 ft																																																																																																																																																																																																																																																																																																																																																																																										
	3 sf	2	2.5	2.5	2.5	3	3	3	3	3.5	3.5	3.5	3.5	3.5	4 sf	2.5	2.5	3	3	3	3	3.5	3.5	3.5	3.5	3.5	3.5	3.5	5 sf	2.5	3	3	3	3.5	3.5	3.5	3.5	3.5	3.5	3.5	4	4	6 sf	3	3	3.5	3.5	3.5	3.5	3.5	3.5	3.5	3.5	4	4	4	7 sf	3	3.5	3.5	3.5	3.5	3.5	3.5	3.5	4	4	4	4	4	8 sf	3.5	3.5	3.5	3.5	3.5	3.5	3.5	4	4	4	4	4	4	9 sf	3.5	3.5	3.5	3.5	3.5	3.5	4	4	4	4	4	4	4	10 sf	3.5	3.5	3.5	3.5	3.5	4	4	4	4	4	4	4.5	4.5	11 sf	3.5	3.5	3.5	3.5	4	4	4	4	4	4	4.5	4.5	4.5	12 sf	3.5	3.5	3.5	4	4	4	4	4	4	4	4.5	4.5	4.5	13 sf	3.5	3.5	4	4	4	4	4	4	4	4.5	4.5	4.5	5	14 sf	3.5	3.5	4	4	4	4	4	4	4.5	4.5	4.5	5	5	15 sf	3.5	4	4	4	4	4	4	4.5	4.5	4.5	5	5	5	16 sf	3.5	4	4	4	4	4	4	4.5	4.5	5	5	5	6	17 sf	4	4	4	4	4	4	4.5	4.5	4.5	5	5	6	6	18 sf	4	4	4	4	4	4.5	4.5	4.5	5	5	5	6	6	19 sf	4	4	4	4	4	4.5	4.5	4.5	5	5	6	6	6	20 sf	4	4	4	4	4.5	4.5	4.5	5	5	5	6	6	6	21 sf	4	4	4	4	4.5	4.5	5	5	5	6	6	6	6	22 sf	4	4	4	4.5	4.5	4.5	5	5	6	6	6	6	6	23 sf	4	4	4	4.5	4.5	5	5	5	6	6	6	6	6	24 sf	4	4	4.5	4.5	4.5	5	5	6	6	6	6	6	6	25 sf	4	4	4.5	4.5	5	5	5	6	6	6	6	6	8	26 sf	4	4.5	4.5	4.5	5	5	5	6	6	6	6	8	8	27 sf	4	4.5	4.5	4.5	5	5	6	6	6	6	6	8	8	28 sf	4	4.5	4.5	5	5	5	6	6	6	6	6	8	8	29 sf	4.5	4.5	4.5	5	5	6	6	6	6	6	8	8	8	30 sf	4.5	4.5	5	5	5	6	6	6	6	6	8	8
4 sf	2.5	2.5	3	3	3	3	3.5	3.5	3.5	3.5	3.5	3.5	3.5	5 sf	2.5	3	3	3	3.5	3.5	3.5	3.5	3.5	3.5	3.5	4	4	6 sf	3	3	3.5	3.5	3.5	3.5	3.5	3.5	3.5	3.5	4	4	4	7 sf	3	3.5	3.5	3.5	3.5	3.5	3.5	3.5	4	4	4	4	4	8 sf	3.5	3.5	3.5	3.5	3.5	3.5	3.5	4	4	4	4	4	4	9 sf	3.5	3.5	3.5	3.5	3.5	3.5	4	4	4	4	4	4	4	10 sf	3.5	3.5	3.5	3.5	3.5	4	4	4	4	4	4	4.5	4.5	11 sf	3.5	3.5	3.5	3.5	4	4	4	4	4	4	4.5	4.5	4.5	12 sf	3.5	3.5	3.5	4	4	4	4	4	4	4	4.5	4.5	4.5	13 sf	3.5	3.5	4	4	4	4	4	4	4	4.5	4.5	4.5	5	14 sf	3.5	3.5	4	4	4	4	4	4	4.5	4.5	4.5	5	5	15 sf	3.5	4	4	4	4	4	4	4.5	4.5	4.5	5	5	5	16 sf	3.5	4	4	4	4	4	4	4.5	4.5	5	5	5	6	17 sf	4	4	4	4	4	4	4.5	4.5	4.5	5	5	6	6	18 sf	4	4	4	4	4	4.5	4.5	4.5	5	5	5	6	6	19 sf	4	4	4	4	4	4.5	4.5	4.5	5	5	6	6	6	20 sf	4	4	4	4	4.5	4.5	4.5	5	5	5	6	6	6	21 sf	4	4	4	4	4.5	4.5	5	5	5	6	6	6	6	22 sf	4	4	4	4.5	4.5	4.5	5	5	6	6	6	6	6	23 sf	4	4	4	4.5	4.5	5	5	5	6	6	6	6	6	24 sf	4	4	4.5	4.5	4.5	5	5	6	6	6	6	6	6	25 sf	4	4	4.5	4.5	5	5	5	6	6	6	6	6	8	26 sf	4	4.5	4.5	4.5	5	5	5	6	6	6	6	8	8	27 sf	4	4.5	4.5	4.5	5	5	6	6	6	6	6	8	8	28 sf	4	4.5	4.5	5	5	5	6	6	6	6	6	8	8	29 sf	4.5	4.5	4.5	5	5	6	6	6	6	6	8	8	8	30 sf	4.5	4.5	5	5	5	6	6	6	6	6	8	8	8														
5 sf	2.5	3	3	3	3.5	3.5	3.5	3.5	3.5	3.5	3.5	4	4	6 sf	3	3	3.5	3.5	3.5	3.5	3.5	3.5	3.5	3.5	4	4	4	7 sf	3	3.5	3.5	3.5	3.5	3.5	3.5	3.5	4	4	4	4	4	8 sf	3.5	3.5	3.5	3.5	3.5	3.5	3.5	4	4	4	4	4	4	9 sf	3.5	3.5	3.5	3.5	3.5	3.5	4	4	4	4	4	4	4	10 sf	3.5	3.5	3.5	3.5	3.5	4	4	4	4	4	4	4.5	4.5	11 sf	3.5	3.5	3.5	3.5	4	4	4	4	4	4	4.5	4.5	4.5	12 sf	3.5	3.5	3.5	4	4	4	4	4	4	4	4.5	4.5	4.5	13 sf	3.5	3.5	4	4	4	4	4	4	4	4.5	4.5	4.5	5	14 sf	3.5	3.5	4	4	4	4	4	4	4.5	4.5	4.5	5	5	15 sf	3.5	4	4	4	4	4	4	4.5	4.5	4.5	5	5	5	16 sf	3.5	4	4	4	4	4	4	4.5	4.5	5	5	5	6	17 sf	4	4	4	4	4	4	4.5	4.5	4.5	5	5	6	6	18 sf	4	4	4	4	4	4.5	4.5	4.5	5	5	5	6	6	19 sf	4	4	4	4	4	4.5	4.5	4.5	5	5	6	6	6	20 sf	4	4	4	4	4.5	4.5	4.5	5	5	5	6	6	6	21 sf	4	4	4	4	4.5	4.5	5	5	5	6	6	6	6	22 sf	4	4	4	4.5	4.5	4.5	5	5	6	6	6	6	6	23 sf	4	4	4	4.5	4.5	5	5	5	6	6	6	6	6	24 sf	4	4	4.5	4.5	4.5	5	5	6	6	6	6	6	6	25 sf	4	4	4.5	4.5	5	5	5	6	6	6	6	6	8	26 sf	4	4.5	4.5	4.5	5	5	5	6	6	6	6	8	8	27 sf	4	4.5	4.5	4.5	5	5	6	6	6	6	6	8	8	28 sf	4	4.5	4.5	5	5	5	6	6	6	6	6	8	8	29 sf	4.5	4.5	4.5	5	5	6	6	6	6	6	8	8	8	30 sf	4.5	4.5	5	5	5	6	6	6	6	6	8	8	8																												
6 sf	3	3	3.5	3.5	3.5	3.5	3.5	3.5	3.5	3.5	4	4	4	7 sf	3	3.5	3.5	3.5	3.5	3.5	3.5	3.5	4	4	4	4	4	8 sf	3.5	3.5	3.5	3.5	3.5	3.5	3.5	4	4	4	4	4	4	9 sf	3.5	3.5	3.5	3.5	3.5	3.5	4	4	4	4	4	4	4	10 sf	3.5	3.5	3.5	3.5	3.5	4	4	4	4	4	4	4.5	4.5	11 sf	3.5	3.5	3.5	3.5	4	4	4	4	4	4	4.5	4.5	4.5	12 sf	3.5	3.5	3.5	4	4	4	4	4	4	4	4.5	4.5	4.5	13 sf	3.5	3.5	4	4	4	4	4	4	4	4.5	4.5	4.5	5	14 sf	3.5	3.5	4	4	4	4	4	4	4.5	4.5	4.5	5	5	15 sf	3.5	4	4	4	4	4	4	4.5	4.5	4.5	5	5	5	16 sf	3.5	4	4	4	4	4	4	4.5	4.5	5	5	5	6	17 sf	4	4	4	4	4	4	4.5	4.5	4.5	5	5	6	6	18 sf	4	4	4	4	4	4.5	4.5	4.5	5	5	5	6	6	19 sf	4	4	4	4	4	4.5	4.5	4.5	5	5	6	6	6	20 sf	4	4	4	4	4.5	4.5	4.5	5	5	5	6	6	6	21 sf	4	4	4	4	4.5	4.5	5	5	5	6	6	6	6	22 sf	4	4	4	4.5	4.5	4.5	5	5	6	6	6	6	6	23 sf	4	4	4	4.5	4.5	5	5	5	6	6	6	6	6	24 sf	4	4	4.5	4.5	4.5	5	5	6	6	6	6	6	6	25 sf	4	4	4.5	4.5	5	5	5	6	6	6	6	6	8	26 sf	4	4.5	4.5	4.5	5	5	5	6	6	6	6	8	8	27 sf	4	4.5	4.5	4.5	5	5	6	6	6	6	6	8	8	28 sf	4	4.5	4.5	5	5	5	6	6	6	6	6	8	8	29 sf	4.5	4.5	4.5	5	5	6	6	6	6	6	8	8	8	30 sf	4.5	4.5	5	5	5	6	6	6	6	6	8	8	8																																										
7 sf	3	3.5	3.5	3.5	3.5	3.5	3.5	3.5	4	4	4	4	4	8 sf	3.5	3.5	3.5	3.5	3.5	3.5	3.5	4	4	4	4	4	4	9 sf	3.5	3.5	3.5	3.5	3.5	3.5	4	4	4	4	4	4	4	10 sf	3.5	3.5	3.5	3.5	3.5	4	4	4	4	4	4	4.5	4.5	11 sf	3.5	3.5	3.5	3.5	4	4	4	4	4	4	4.5	4.5	4.5	12 sf	3.5	3.5	3.5	4	4	4	4	4	4	4	4.5	4.5	4.5	13 sf	3.5	3.5	4	4	4	4	4	4	4	4.5	4.5	4.5	5	14 sf	3.5	3.5	4	4	4	4	4	4	4.5	4.5	4.5	5	5	15 sf	3.5	4	4	4	4	4	4	4.5	4.5	4.5	5	5	5	16 sf	3.5	4	4	4	4	4	4	4.5	4.5	5	5	5	6	17 sf	4	4	4	4	4	4	4.5	4.5	4.5	5	5	6	6	18 sf	4	4	4	4	4	4.5	4.5	4.5	5	5	5	6	6	19 sf	4	4	4	4	4	4.5	4.5	4.5	5	5	6	6	6	20 sf	4	4	4	4	4.5	4.5	4.5	5	5	5	6	6	6	21 sf	4	4	4	4	4.5	4.5	5	5	5	6	6	6	6	22 sf	4	4	4	4.5	4.5	4.5	5	5	6	6	6	6	6	23 sf	4	4	4	4.5	4.5	5	5	5	6	6	6	6	6	24 sf	4	4	4.5	4.5	4.5	5	5	6	6	6	6	6	6	25 sf	4	4	4.5	4.5	5	5	5	6	6	6	6	6	8	26 sf	4	4.5	4.5	4.5	5	5	5	6	6	6	6	8	8	27 sf	4	4.5	4.5	4.5	5	5	6	6	6	6	6	8	8	28 sf	4	4.5	4.5	5	5	5	6	6	6	6	6	8	8	29 sf	4.5	4.5	4.5	5	5	6	6	6	6	6	8	8	8	30 sf	4.5	4.5	5	5	5	6	6	6	6	6	8	8	8																																																								
8 sf	3.5	3.5	3.5	3.5	3.5	3.5	3.5	4	4	4	4	4	4	9 sf	3.5	3.5	3.5	3.5	3.5	3.5	4	4	4	4	4	4	4	10 sf	3.5	3.5	3.5	3.5	3.5	4	4	4	4	4	4	4.5	4.5	11 sf	3.5	3.5	3.5	3.5	4	4	4	4	4	4	4.5	4.5	4.5	12 sf	3.5	3.5	3.5	4	4	4	4	4	4	4	4.5	4.5	4.5	13 sf	3.5	3.5	4	4	4	4	4	4	4	4.5	4.5	4.5	5	14 sf	3.5	3.5	4	4	4	4	4	4	4.5	4.5	4.5	5	5	15 sf	3.5	4	4	4	4	4	4	4.5	4.5	4.5	5	5	5	16 sf	3.5	4	4	4	4	4	4	4.5	4.5	5	5	5	6	17 sf	4	4	4	4	4	4	4.5	4.5	4.5	5	5	6	6	18 sf	4	4	4	4	4	4.5	4.5	4.5	5	5	5	6	6	19 sf	4	4	4	4	4	4.5	4.5	4.5	5	5	6	6	6	20 sf	4	4	4	4	4.5	4.5	4.5	5	5	5	6	6	6	21 sf	4	4	4	4	4.5	4.5	5	5	5	6	6	6	6	22 sf	4	4	4	4.5	4.5	4.5	5	5	6	6	6	6	6	23 sf	4	4	4	4.5	4.5	5	5	5	6	6	6	6	6	24 sf	4	4	4.5	4.5	4.5	5	5	6	6	6	6	6	6	25 sf	4	4	4.5	4.5	5	5	5	6	6	6	6	6	8	26 sf	4	4.5	4.5	4.5	5	5	5	6	6	6	6	8	8	27 sf	4	4.5	4.5	4.5	5	5	6	6	6	6	6	8	8	28 sf	4	4.5	4.5	5	5	5	6	6	6	6	6	8	8	29 sf	4.5	4.5	4.5	5	5	6	6	6	6	6	8	8	8	30 sf	4.5	4.5	5	5	5	6	6	6	6	6	8	8	8																																																																						
9 sf	3.5	3.5	3.5	3.5	3.5	3.5	4	4	4	4	4	4	4	10 sf	3.5	3.5	3.5	3.5	3.5	4	4	4	4	4	4	4.5	4.5	11 sf	3.5	3.5	3.5	3.5	4	4	4	4	4	4	4.5	4.5	4.5	12 sf	3.5	3.5	3.5	4	4	4	4	4	4	4	4.5	4.5	4.5	13 sf	3.5	3.5	4	4	4	4	4	4	4	4.5	4.5	4.5	5	14 sf	3.5	3.5	4	4	4	4	4	4	4.5	4.5	4.5	5	5	15 sf	3.5	4	4	4	4	4	4	4.5	4.5	4.5	5	5	5	16 sf	3.5	4	4	4	4	4	4	4.5	4.5	5	5	5	6	17 sf	4	4	4	4	4	4	4.5	4.5	4.5	5	5	6	6	18 sf	4	4	4	4	4	4.5	4.5	4.5	5	5	5	6	6	19 sf	4	4	4	4	4	4.5	4.5	4.5	5	5	6	6	6	20 sf	4	4	4	4	4.5	4.5	4.5	5	5	5	6	6	6	21 sf	4	4	4	4	4.5	4.5	5	5	5	6	6	6	6	22 sf	4	4	4	4.5	4.5	4.5	5	5	6	6	6	6	6	23 sf	4	4	4	4.5	4.5	5	5	5	6	6	6	6	6	24 sf	4	4	4.5	4.5	4.5	5	5	6	6	6	6	6	6	25 sf	4	4	4.5	4.5	5	5	5	6	6	6	6	6	8	26 sf	4	4.5	4.5	4.5	5	5	5	6	6	6	6	8	8	27 sf	4	4.5	4.5	4.5	5	5	6	6	6	6	6	8	8	28 sf	4	4.5	4.5	5	5	5	6	6	6	6	6	8	8	29 sf	4.5	4.5	4.5	5	5	6	6	6	6	6	8	8	8	30 sf	4.5	4.5	5	5	5	6	6	6	6	6	8	8	8																																																																																				
10 sf	3.5	3.5	3.5	3.5	3.5	4	4	4	4	4	4	4.5	4.5	11 sf	3.5	3.5	3.5	3.5	4	4	4	4	4	4	4.5	4.5	4.5	12 sf	3.5	3.5	3.5	4	4	4	4	4	4	4	4.5	4.5	4.5	13 sf	3.5	3.5	4	4	4	4	4	4	4	4.5	4.5	4.5	5	14 sf	3.5	3.5	4	4	4	4	4	4	4.5	4.5	4.5	5	5	15 sf	3.5	4	4	4	4	4	4	4.5	4.5	4.5	5	5	5	16 sf	3.5	4	4	4	4	4	4	4.5	4.5	5	5	5	6	17 sf	4	4	4	4	4	4	4.5	4.5	4.5	5	5	6	6	18 sf	4	4	4	4	4	4.5	4.5	4.5	5	5	5	6	6	19 sf	4	4	4	4	4	4.5	4.5	4.5	5	5	6	6	6	20 sf	4	4	4	4	4.5	4.5	4.5	5	5	5	6	6	6	21 sf	4	4	4	4	4.5	4.5	5	5	5	6	6	6	6	22 sf	4	4	4	4.5	4.5	4.5	5	5	6	6	6	6	6	23 sf	4	4	4	4.5	4.5	5	5	5	6	6	6	6	6	24 sf	4	4	4.5	4.5	4.5	5	5	6	6	6	6	6	6	25 sf	4	4	4.5	4.5	5	5	5	6	6	6	6	6	8	26 sf	4	4.5	4.5	4.5	5	5	5	6	6	6	6	8	8	27 sf	4	4.5	4.5	4.5	5	5	6	6	6	6	6	8	8	28 sf	4	4.5	4.5	5	5	5	6	6	6	6	6	8	8	29 sf	4.5	4.5	4.5	5	5	6	6	6	6	6	8	8	8	30 sf	4.5	4.5	5	5	5	6	6	6	6	6	8	8	8																																																																																																		
11 sf	3.5	3.5	3.5	3.5	4	4	4	4	4	4	4.5	4.5	4.5	12 sf	3.5	3.5	3.5	4	4	4	4	4	4	4	4.5	4.5	4.5	13 sf	3.5	3.5	4	4	4	4	4	4	4	4.5	4.5	4.5	5	14 sf	3.5	3.5	4	4	4	4	4	4	4.5	4.5	4.5	5	5	15 sf	3.5	4	4	4	4	4	4	4.5	4.5	4.5	5	5	5	16 sf	3.5	4	4	4	4	4	4	4.5	4.5	5	5	5	6	17 sf	4	4	4	4	4	4	4.5	4.5	4.5	5	5	6	6	18 sf	4	4	4	4	4	4.5	4.5	4.5	5	5	5	6	6	19 sf	4	4	4	4	4	4.5	4.5	4.5	5	5	6	6	6	20 sf	4	4	4	4	4.5	4.5	4.5	5	5	5	6	6	6	21 sf	4	4	4	4	4.5	4.5	5	5	5	6	6	6	6	22 sf	4	4	4	4.5	4.5	4.5	5	5	6	6	6	6	6	23 sf	4	4	4	4.5	4.5	5	5	5	6	6	6	6	6	24 sf	4	4	4.5	4.5	4.5	5	5	6	6	6	6	6	6	25 sf	4	4	4.5	4.5	5	5	5	6	6	6	6	6	8	26 sf	4	4.5	4.5	4.5	5	5	5	6	6	6	6	8	8	27 sf	4	4.5	4.5	4.5	5	5	6	6	6	6	6	8	8	28 sf	4	4.5	4.5	5	5	5	6	6	6	6	6	8	8	29 sf	4.5	4.5	4.5	5	5	6	6	6	6	6	8	8	8	30 sf	4.5	4.5	5	5	5	6	6	6	6	6	8	8	8																																																																																																																
12 sf	3.5	3.5	3.5	4	4	4	4	4	4	4	4.5	4.5	4.5	13 sf	3.5	3.5	4	4	4	4	4	4	4	4.5	4.5	4.5	5	14 sf	3.5	3.5	4	4	4	4	4	4	4.5	4.5	4.5	5	5	15 sf	3.5	4	4	4	4	4	4	4.5	4.5	4.5	5	5	5	16 sf	3.5	4	4	4	4	4	4	4.5	4.5	5	5	5	6	17 sf	4	4	4	4	4	4	4.5	4.5	4.5	5	5	6	6	18 sf	4	4	4	4	4	4.5	4.5	4.5	5	5	5	6	6	19 sf	4	4	4	4	4	4.5	4.5	4.5	5	5	6	6	6	20 sf	4	4	4	4	4.5	4.5	4.5	5	5	5	6	6	6	21 sf	4	4	4	4	4.5	4.5	5	5	5	6	6	6	6	22 sf	4	4	4	4.5	4.5	4.5	5	5	6	6	6	6	6	23 sf	4	4	4	4.5	4.5	5	5	5	6	6	6	6	6	24 sf	4	4	4.5	4.5	4.5	5	5	6	6	6	6	6	6	25 sf	4	4	4.5	4.5	5	5	5	6	6	6	6	6	8	26 sf	4	4.5	4.5	4.5	5	5	5	6	6	6	6	8	8	27 sf	4	4.5	4.5	4.5	5	5	6	6	6	6	6	8	8	28 sf	4	4.5	4.5	5	5	5	6	6	6	6	6	8	8	29 sf	4.5	4.5	4.5	5	5	6	6	6	6	6	8	8	8	30 sf	4.5	4.5	5	5	5	6	6	6	6	6	8	8	8																																																																																																																														
13 sf	3.5	3.5	4	4	4	4	4	4	4	4.5	4.5	4.5	5	14 sf	3.5	3.5	4	4	4	4	4	4	4.5	4.5	4.5	5	5	15 sf	3.5	4	4	4	4	4	4	4.5	4.5	4.5	5	5	5	16 sf	3.5	4	4	4	4	4	4	4.5	4.5	5	5	5	6	17 sf	4	4	4	4	4	4	4.5	4.5	4.5	5	5	6	6	18 sf	4	4	4	4	4	4.5	4.5	4.5	5	5	5	6	6	19 sf	4	4	4	4	4	4.5	4.5	4.5	5	5	6	6	6	20 sf	4	4	4	4	4.5	4.5	4.5	5	5	5	6	6	6	21 sf	4	4	4	4	4.5	4.5	5	5	5	6	6	6	6	22 sf	4	4	4	4.5	4.5	4.5	5	5	6	6	6	6	6	23 sf	4	4	4	4.5	4.5	5	5	5	6	6	6	6	6	24 sf	4	4	4.5	4.5	4.5	5	5	6	6	6	6	6	6	25 sf	4	4	4.5	4.5	5	5	5	6	6	6	6	6	8	26 sf	4	4.5	4.5	4.5	5	5	5	6	6	6	6	8	8	27 sf	4	4.5	4.5	4.5	5	5	6	6	6	6	6	8	8	28 sf	4	4.5	4.5	5	5	5	6	6	6	6	6	8	8	29 sf	4.5	4.5	4.5	5	5	6	6	6	6	6	8	8	8	30 sf	4.5	4.5	5	5	5	6	6	6	6	6	8	8	8																																																																																																																																												
14 sf	3.5	3.5	4	4	4	4	4	4	4.5	4.5	4.5	5	5	15 sf	3.5	4	4	4	4	4	4	4.5	4.5	4.5	5	5	5	16 sf	3.5	4	4	4	4	4	4	4.5	4.5	5	5	5	6	17 sf	4	4	4	4	4	4	4.5	4.5	4.5	5	5	6	6	18 sf	4	4	4	4	4	4.5	4.5	4.5	5	5	5	6	6	19 sf	4	4	4	4	4	4.5	4.5	4.5	5	5	6	6	6	20 sf	4	4	4	4	4.5	4.5	4.5	5	5	5	6	6	6	21 sf	4	4	4	4	4.5	4.5	5	5	5	6	6	6	6	22 sf	4	4	4	4.5	4.5	4.5	5	5	6	6	6	6	6	23 sf	4	4	4	4.5	4.5	5	5	5	6	6	6	6	6	24 sf	4	4	4.5	4.5	4.5	5	5	6	6	6	6	6	6	25 sf	4	4	4.5	4.5	5	5	5	6	6	6	6	6	8	26 sf	4	4.5	4.5	4.5	5	5	5	6	6	6	6	8	8	27 sf	4	4.5	4.5	4.5	5	5	6	6	6	6	6	8	8	28 sf	4	4.5	4.5	5	5	5	6	6	6	6	6	8	8	29 sf	4.5	4.5	4.5	5	5	6	6	6	6	6	8	8	8	30 sf	4.5	4.5	5	5	5	6	6	6	6	6	8	8	8																																																																																																																																																										
15 sf	3.5	4	4	4	4	4	4	4.5	4.5	4.5	5	5	5	16 sf	3.5	4	4	4	4	4	4	4.5	4.5	5	5	5	6	17 sf	4	4	4	4	4	4	4.5	4.5	4.5	5	5	6	6	18 sf	4	4	4	4	4	4.5	4.5	4.5	5	5	5	6	6	19 sf	4	4	4	4	4	4.5	4.5	4.5	5	5	6	6	6	20 sf	4	4	4	4	4.5	4.5	4.5	5	5	5	6	6	6	21 sf	4	4	4	4	4.5	4.5	5	5	5	6	6	6	6	22 sf	4	4	4	4.5	4.5	4.5	5	5	6	6	6	6	6	23 sf	4	4	4	4.5	4.5	5	5	5	6	6	6	6	6	24 sf	4	4	4.5	4.5	4.5	5	5	6	6	6	6	6	6	25 sf	4	4	4.5	4.5	5	5	5	6	6	6	6	6	8	26 sf	4	4.5	4.5	4.5	5	5	5	6	6	6	6	8	8	27 sf	4	4.5	4.5	4.5	5	5	6	6	6	6	6	8	8	28 sf	4	4.5	4.5	5	5	5	6	6	6	6	6	8	8	29 sf	4.5	4.5	4.5	5	5	6	6	6	6	6	8	8	8	30 sf	4.5	4.5	5	5	5	6	6	6	6	6	8	8	8																																																																																																																																																																								
16 sf	3.5	4	4	4	4	4	4	4.5	4.5	5	5	5	6	17 sf	4	4	4	4	4	4	4.5	4.5	4.5	5	5	6	6	18 sf	4	4	4	4	4	4.5	4.5	4.5	5	5	5	6	6	19 sf	4	4	4	4	4	4.5	4.5	4.5	5	5	6	6	6	20 sf	4	4	4	4	4.5	4.5	4.5	5	5	5	6	6	6	21 sf	4	4	4	4	4.5	4.5	5	5	5	6	6	6	6	22 sf	4	4	4	4.5	4.5	4.5	5	5	6	6	6	6	6	23 sf	4	4	4	4.5	4.5	5	5	5	6	6	6	6	6	24 sf	4	4	4.5	4.5	4.5	5	5	6	6	6	6	6	6	25 sf	4	4	4.5	4.5	5	5	5	6	6	6	6	6	8	26 sf	4	4.5	4.5	4.5	5	5	5	6	6	6	6	8	8	27 sf	4	4.5	4.5	4.5	5	5	6	6	6	6	6	8	8	28 sf	4	4.5	4.5	5	5	5	6	6	6	6	6	8	8	29 sf	4.5	4.5	4.5	5	5	6	6	6	6	6	8	8	8	30 sf	4.5	4.5	5	5	5	6	6	6	6	6	8	8	8																																																																																																																																																																																						
17 sf	4	4	4	4	4	4	4.5	4.5	4.5	5	5	6	6	18 sf	4	4	4	4	4	4.5	4.5	4.5	5	5	5	6	6	19 sf	4	4	4	4	4	4.5	4.5	4.5	5	5	6	6	6	20 sf	4	4	4	4	4.5	4.5	4.5	5	5	5	6	6	6	21 sf	4	4	4	4	4.5	4.5	5	5	5	6	6	6	6	22 sf	4	4	4	4.5	4.5	4.5	5	5	6	6	6	6	6	23 sf	4	4	4	4.5	4.5	5	5	5	6	6	6	6	6	24 sf	4	4	4.5	4.5	4.5	5	5	6	6	6	6	6	6	25 sf	4	4	4.5	4.5	5	5	5	6	6	6	6	6	8	26 sf	4	4.5	4.5	4.5	5	5	5	6	6	6	6	8	8	27 sf	4	4.5	4.5	4.5	5	5	6	6	6	6	6	8	8	28 sf	4	4.5	4.5	5	5	5	6	6	6	6	6	8	8	29 sf	4.5	4.5	4.5	5	5	6	6	6	6	6	8	8	8	30 sf	4.5	4.5	5	5	5	6	6	6	6	6	8	8	8																																																																																																																																																																																																				
18 sf	4	4	4	4	4	4.5	4.5	4.5	5	5	5	6	6	19 sf	4	4	4	4	4	4.5	4.5	4.5	5	5	6	6	6	20 sf	4	4	4	4	4.5	4.5	4.5	5	5	5	6	6	6	21 sf	4	4	4	4	4.5	4.5	5	5	5	6	6	6	6	22 sf	4	4	4	4.5	4.5	4.5	5	5	6	6	6	6	6	23 sf	4	4	4	4.5	4.5	5	5	5	6	6	6	6	6	24 sf	4	4	4.5	4.5	4.5	5	5	6	6	6	6	6	6	25 sf	4	4	4.5	4.5	5	5	5	6	6	6	6	6	8	26 sf	4	4.5	4.5	4.5	5	5	5	6	6	6	6	8	8	27 sf	4	4.5	4.5	4.5	5	5	6	6	6	6	6	8	8	28 sf	4	4.5	4.5	5	5	5	6	6	6	6	6	8	8	29 sf	4.5	4.5	4.5	5	5	6	6	6	6	6	8	8	8	30 sf	4.5	4.5	5	5	5	6	6	6	6	6	8	8	8																																																																																																																																																																																																																		
19 sf	4	4	4	4	4	4.5	4.5	4.5	5	5	6	6	6	20 sf	4	4	4	4	4.5	4.5	4.5	5	5	5	6	6	6	21 sf	4	4	4	4	4.5	4.5	5	5	5	6	6	6	6	22 sf	4	4	4	4.5	4.5	4.5	5	5	6	6	6	6	6	23 sf	4	4	4	4.5	4.5	5	5	5	6	6	6	6	6	24 sf	4	4	4.5	4.5	4.5	5	5	6	6	6	6	6	6	25 sf	4	4	4.5	4.5	5	5	5	6	6	6	6	6	8	26 sf	4	4.5	4.5	4.5	5	5	5	6	6	6	6	8	8	27 sf	4	4.5	4.5	4.5	5	5	6	6	6	6	6	8	8	28 sf	4	4.5	4.5	5	5	5	6	6	6	6	6	8	8	29 sf	4.5	4.5	4.5	5	5	6	6	6	6	6	8	8	8	30 sf	4.5	4.5	5	5	5	6	6	6	6	6	8	8	8																																																																																																																																																																																																																																
20 sf	4	4	4	4	4.5	4.5	4.5	5	5	5	6	6	6	21 sf	4	4	4	4	4.5	4.5	5	5	5	6	6	6	6	22 sf	4	4	4	4.5	4.5	4.5	5	5	6	6	6	6	6	23 sf	4	4	4	4.5	4.5	5	5	5	6	6	6	6	6	24 sf	4	4	4.5	4.5	4.5	5	5	6	6	6	6	6	6	25 sf	4	4	4.5	4.5	5	5	5	6	6	6	6	6	8	26 sf	4	4.5	4.5	4.5	5	5	5	6	6	6	6	8	8	27 sf	4	4.5	4.5	4.5	5	5	6	6	6	6	6	8	8	28 sf	4	4.5	4.5	5	5	5	6	6	6	6	6	8	8	29 sf	4.5	4.5	4.5	5	5	6	6	6	6	6	8	8	8	30 sf	4.5	4.5	5	5	5	6	6	6	6	6	8	8	8																																																																																																																																																																																																																																														
21 sf	4	4	4	4	4.5	4.5	5	5	5	6	6	6	6	22 sf	4	4	4	4.5	4.5	4.5	5	5	6	6	6	6	6	23 sf	4	4	4	4.5	4.5	5	5	5	6	6	6	6	6	24 sf	4	4	4.5	4.5	4.5	5	5	6	6	6	6	6	6	25 sf	4	4	4.5	4.5	5	5	5	6	6	6	6	6	8	26 sf	4	4.5	4.5	4.5	5	5	5	6	6	6	6	8	8	27 sf	4	4.5	4.5	4.5	5	5	6	6	6	6	6	8	8	28 sf	4	4.5	4.5	5	5	5	6	6	6	6	6	8	8	29 sf	4.5	4.5	4.5	5	5	6	6	6	6	6	8	8	8	30 sf	4.5	4.5	5	5	5	6	6	6	6	6	8	8	8																																																																																																																																																																																																																																																												
22 sf	4	4	4	4.5	4.5	4.5	5	5	6	6	6	6	6	23 sf	4	4	4	4.5	4.5	5	5	5	6	6	6	6	6	24 sf	4	4	4.5	4.5	4.5	5	5	6	6	6	6	6	6	25 sf	4	4	4.5	4.5	5	5	5	6	6	6	6	6	8	26 sf	4	4.5	4.5	4.5	5	5	5	6	6	6	6	8	8	27 sf	4	4.5	4.5	4.5	5	5	6	6	6	6	6	8	8	28 sf	4	4.5	4.5	5	5	5	6	6	6	6	6	8	8	29 sf	4.5	4.5	4.5	5	5	6	6	6	6	6	8	8	8	30 sf	4.5	4.5	5	5	5	6	6	6	6	6	8	8	8																																																																																																																																																																																																																																																																										
23 sf	4	4	4	4.5	4.5	5	5	5	6	6	6	6	6	24 sf	4	4	4.5	4.5	4.5	5	5	6	6	6	6	6	6	25 sf	4	4	4.5	4.5	5	5	5	6	6	6	6	6	8	26 sf	4	4.5	4.5	4.5	5	5	5	6	6	6	6	8	8	27 sf	4	4.5	4.5	4.5	5	5	6	6	6	6	6	8	8	28 sf	4	4.5	4.5	5	5	5	6	6	6	6	6	8	8	29 sf	4.5	4.5	4.5	5	5	6	6	6	6	6	8	8	8	30 sf	4.5	4.5	5	5	5	6	6	6	6	6	8	8	8																																																																																																																																																																																																																																																																																								
24 sf	4	4	4.5	4.5	4.5	5	5	6	6	6	6	6	6	25 sf	4	4	4.5	4.5	5	5	5	6	6	6	6	6	8	26 sf	4	4.5	4.5	4.5	5	5	5	6	6	6	6	8	8	27 sf	4	4.5	4.5	4.5	5	5	6	6	6	6	6	8	8	28 sf	4	4.5	4.5	5	5	5	6	6	6	6	6	8	8	29 sf	4.5	4.5	4.5	5	5	6	6	6	6	6	8	8	8	30 sf	4.5	4.5	5	5	5	6	6	6	6	6	8	8	8																																																																																																																																																																																																																																																																																																						
25 sf	4	4	4.5	4.5	5	5	5	6	6	6	6	6	8	26 sf	4	4.5	4.5	4.5	5	5	5	6	6	6	6	8	8	27 sf	4	4.5	4.5	4.5	5	5	6	6	6	6	6	8	8	28 sf	4	4.5	4.5	5	5	5	6	6	6	6	6	8	8	29 sf	4.5	4.5	4.5	5	5	6	6	6	6	6	8	8	8	30 sf	4.5	4.5	5	5	5	6	6	6	6	6	8	8	8																																																																																																																																																																																																																																																																																																																				
26 sf	4	4.5	4.5	4.5	5	5	5	6	6	6	6	8	8	27 sf	4	4.5	4.5	4.5	5	5	6	6	6	6	6	8	8	28 sf	4	4.5	4.5	5	5	5	6	6	6	6	6	8	8	29 sf	4.5	4.5	4.5	5	5	6	6	6	6	6	8	8	8	30 sf	4.5	4.5	5	5	5	6	6	6	6	6	8	8	8																																																																																																																																																																																																																																																																																																																																		
27 sf	4	4.5	4.5	4.5	5	5	6	6	6	6	6	8	8	28 sf	4	4.5	4.5	5	5	5	6	6	6	6	6	8	8	29 sf	4.5	4.5	4.5	5	5	6	6	6	6	6	8	8	8	30 sf	4.5	4.5	5	5	5	6	6	6	6	6	8	8	8																																																																																																																																																																																																																																																																																																																																																
28 sf	4	4.5	4.5	5	5	5	6	6	6	6	6	8	8	29 sf	4.5	4.5	4.5	5	5	6	6	6	6	6	8	8	8	30 sf	4.5	4.5	5	5	5	6	6	6	6	6	8	8	8																																																																																																																																																																																																																																																																																																																																																														
29 sf	4.5	4.5	4.5	5	5	6	6	6	6	6	8	8	8	30 sf	4.5	4.5	5	5	5	6	6	6	6	6	8	8	8																																																																																																																																																																																																																																																																																																																																																																												
30 sf	4.5	4.5	5	5	5	6	6	6	6	6	8	8	8																																																																																																																																																																																																																																																																																																																																																																																										

FOUNDATION TABLE						
Column (Post) Size		Foundation Alternatives				
		Driven Post *		Concrete (Class I)		
Outside Diameter (in)	Wall Thk. (in)	Embedment Depth (ft)		Diameter (ft)	Embedment Depth (ft)	Stub Length (ft)
		without Soil Plate	with Soil Plate			
2.0	1/8	4.5	2.5	---	---	---
			3.0	---	---	---
			3.5	---	---	---
3.5	3/16	6.0	4.5	---	---	---
4.0	1/4	---	---	2.0	3.5	3.0
4.5	1/4	---	---	2.0	4.0	3.0
5.0	1/4	---	---	2.0	4.5	3.0
6.0	1/4	---	---	2.0	5.0	3.0
8.0	1/4	---	---	2.0	5.5	3.0

CORRECTED: Concrete Class

* INSTALLING FRANGIBLE COLUMN SUPPORTS:

Columns (posts) 3 1/2" O.D. and less are considered frangible and may be installed either by driving the post or setting the posts in preformed holes. Backfill preformed holes with suitable material tamped in layers not thicker than 6" (to provide adequate compaction) or filled with flowable fill or bagged concrete.



OFFSET SIGN

NOTE:

1. For offset sign placement see Index 700-101.
2. For signs with widths greater than 4' see Index 700-011.
3. Offset signs with driven posts require a soil plate.