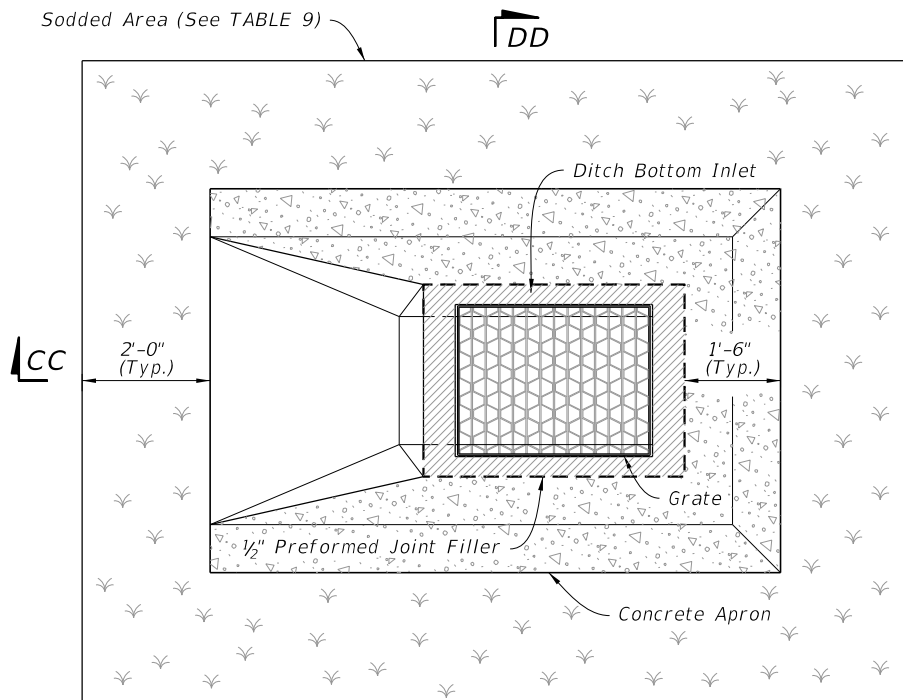


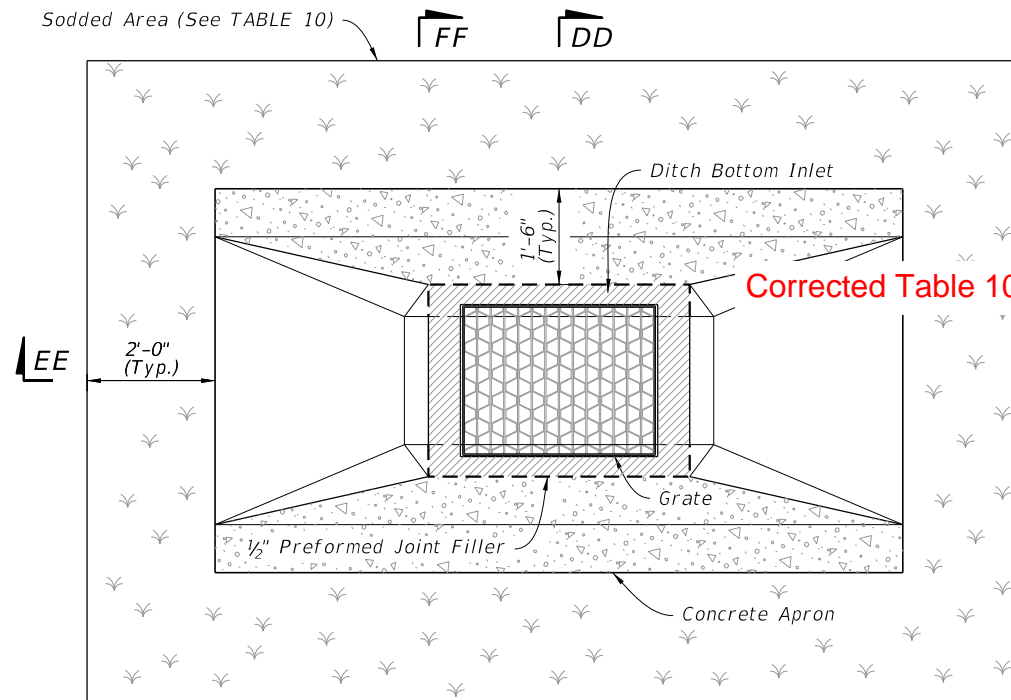
Sodded Area (See TABLE 9)



**TABLE 9  
CONCRETE APRON  
AND  
SOD QUANTITIES**

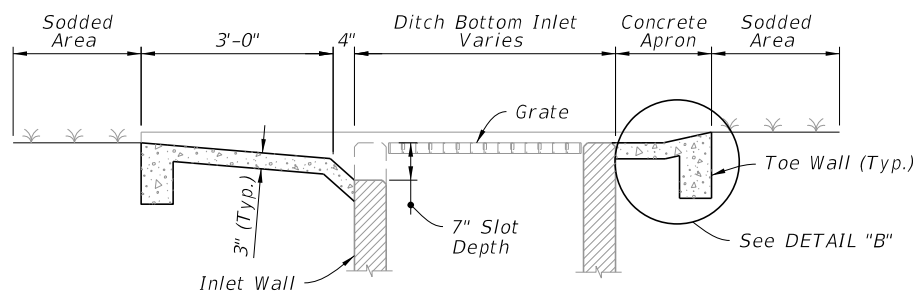
SINGLE SLOT		
Inlet Type	Sod SY	Conc. CY
C	12	0.77
D	14	0.91
E	14	0.91
H	--	--

Sodded Area (See TABLE 10)

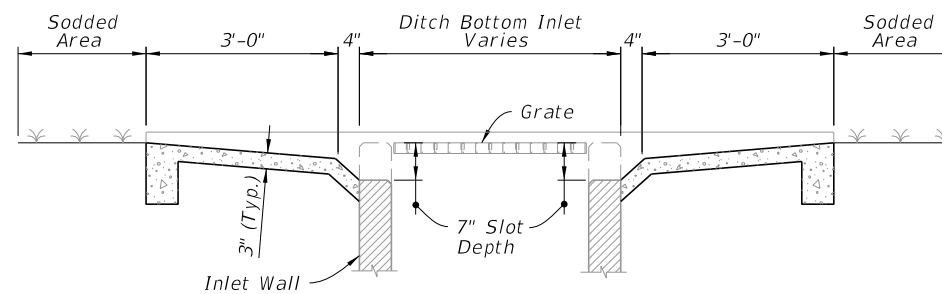


**TABLE 10  
CONCRETE APRON  
AND  
SOD QUANTITIES**

<del>SINGLE SLOT</del>		
Inlet Type	Sod SY	Conc. CY
C	16	0.93
D	19	1.10
E	18	1.08
H	--	--



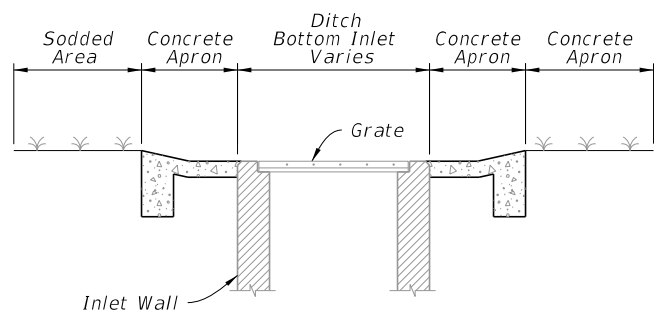
SECTION CC-CC



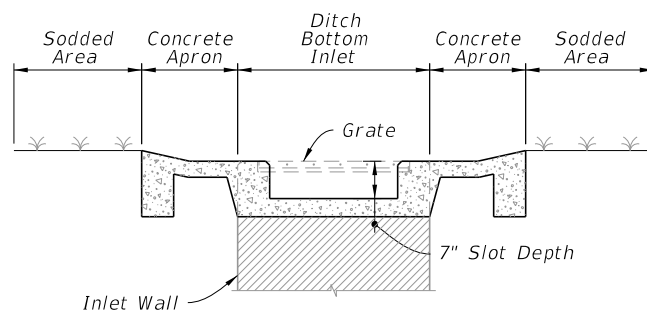
SECTION EE-EE

SINGLE SLOT

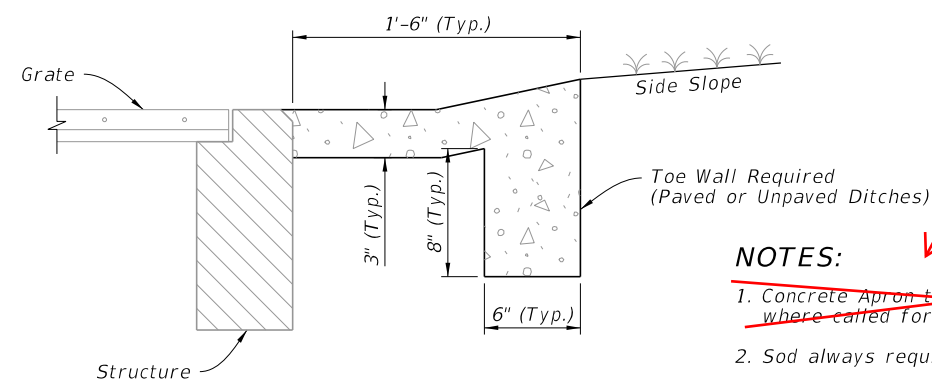
DOUBLE SLOT



SECTION DD-DD



SECTION FF-FF



DETAIL "B"

**NOTES:**

- ~~1. Concrete Apron to be installed only where called for in the Plans.~~
- Sod always required.

Deleted Note 1

**TRAVERSABLE INLET WITH SLOT DETAILS**

9/21/2021 1:22:40 PM

LAST REVISION	DESCRIPTION:
11/01/20	



FY 2022-23  
STANDARD PLANS

DITCH BOTTOM INLET TYPE C, D, E, AND H

INDEX  
425-052

SHEET  
10 of 14