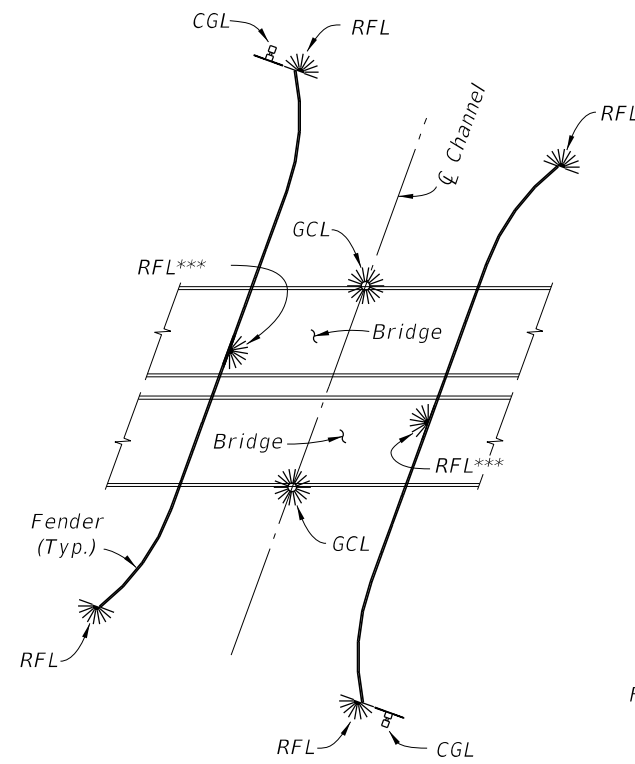
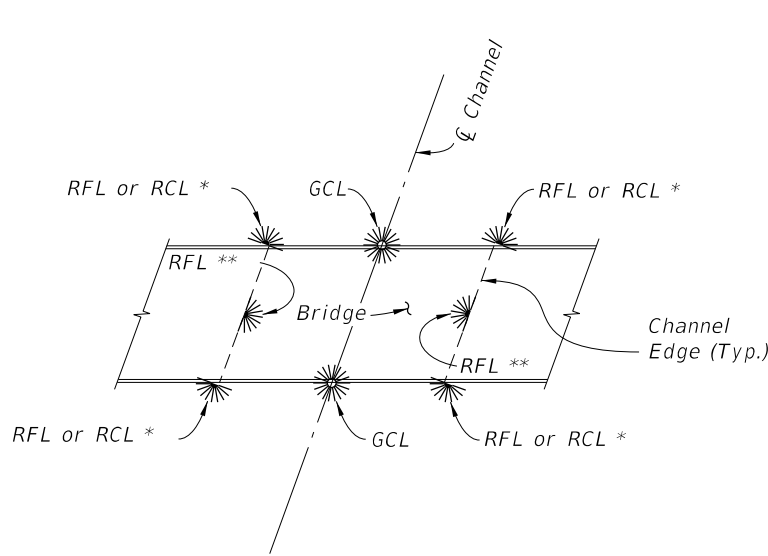


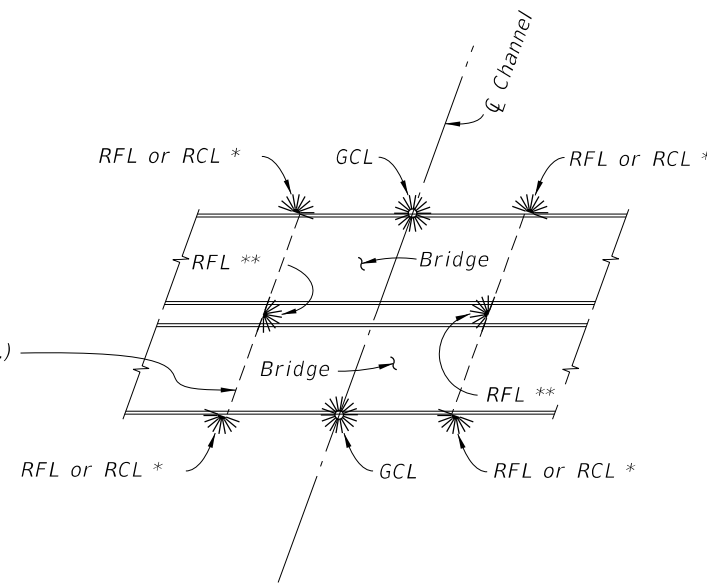
NAVIGATION LIGHT SYSTEM SCHEMATIC FOR SINGLE BRIDGE WITH FENDERS



NAVIGATION LIGHT SYSTEM SCHEMATIC FOR DUAL BRIDGES WITH FENDERS



NAVIGATION LIGHT SYSTEM SCHEMATIC FOR SINGLE BRIDGE WITHOUT FENDERS

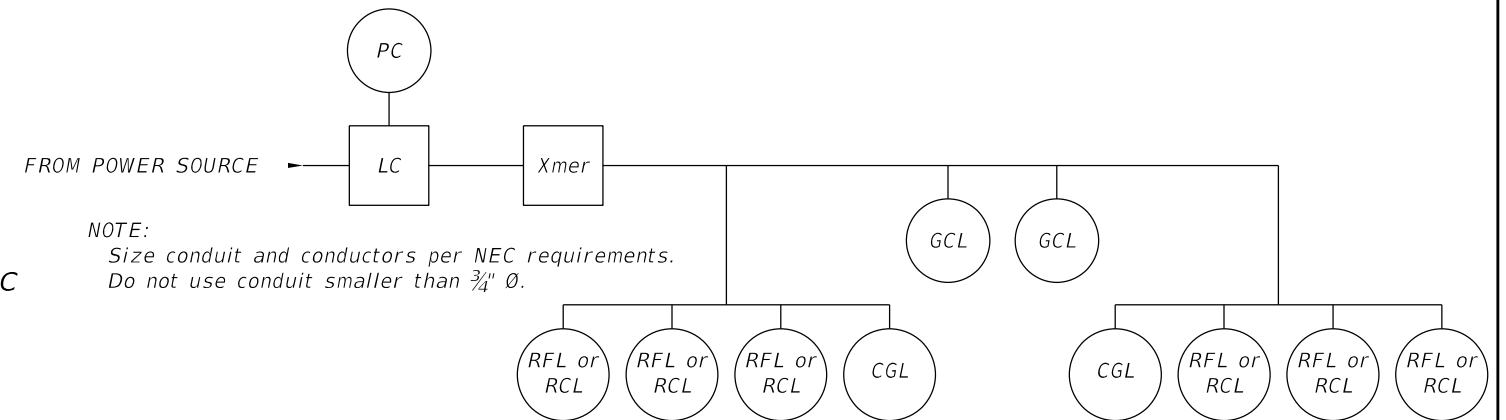


NAVIGATION LIGHT SYSTEM SCHEMATIC FOR DUAL BRIDGES WITHOUT FENDERS

* Use RFL when Pier is at Channel Edge and see CFR, Title 33, part 118 for Mounting Height restrictions. Use RCL otherwise.
 ** Mounted only on the Pier that defines CM, otherwise does not apply.
 *** RFL to be located at mid length of straight portion of fender.

NAVIGATION LIGHT NOTES:

1. Provide Navigation Light System in compliance with Specifications Section 510.



NOTE:
 Size conduit and conductors per NEC requirements.
 Do not use conduit smaller than 3/4" Ø.

TYPICAL ELECTRICAL SCHEMATIC DIAGRAM

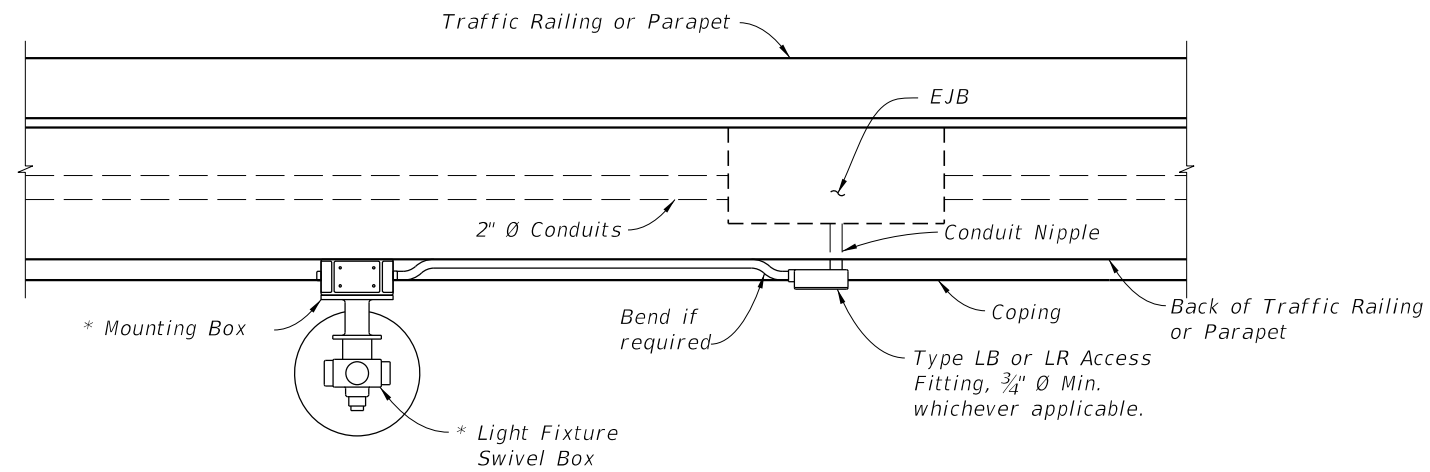
POWER CONDUCTORS

DISTANCE (feet)	VOLTS	CONDUCTOR	TRANSFORMER
0 - 75	120	#12 AWG	N/A
75 - 500	120 or 240	#10 AWG	N/A
500-1000	240	#10 AWG	N/A
1000-2000	480	#10 AWG	2 KVA
2000-5000	480	#8 AWG	2 KVA
5000-10000	480	#6 AWG	2 KVA
over 10000	480	#4 AWG	2 KVA

LEGEND

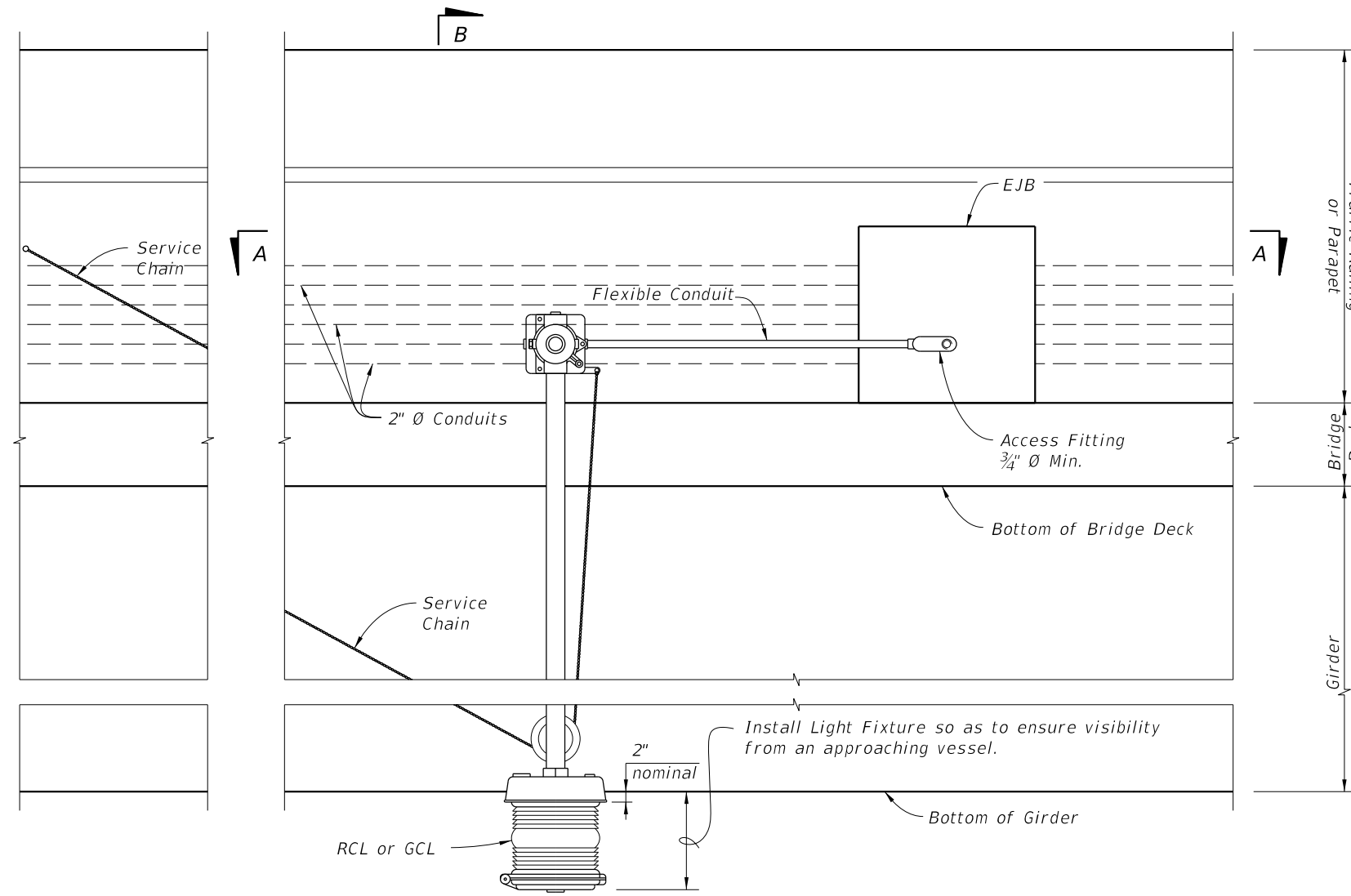
SYMBOL	DESCRIPTION
LC	Lighting Contactor
PC	Photocell Control
Xmer	Transformer (If Required)
	RFL or RCL Red Pier/Fender Light (180° visibility) or Red Channel Margin Light (180° visibility)
	GCL Green Center Channel Light (360° visibility)
	CGL Clearance Gauge Light
CM	Channel Margin or Pier inner surface whichever defines Channel Edge.

10/01/2020 9:22:08 AM

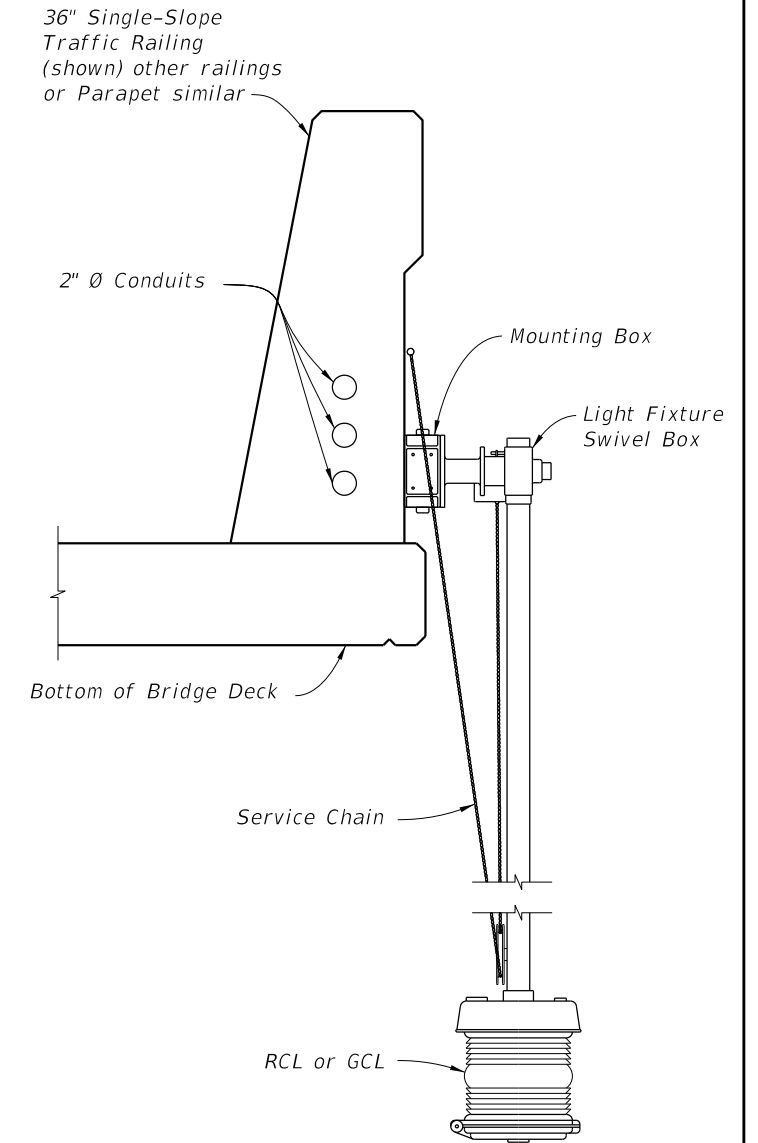


GCL OR RCL MOUNTING DETAILS (SCHEMATIC)
VIEW A-A

CROSS REFERENCES:
 1. For Navigation Light System notes and legend, see Sheet 1.
 2. See Utility Conduit Detail sheets for Embedded Junction Box (EJB) dimensions & locations.
 * Supplied by Light Fixture Manufacturer




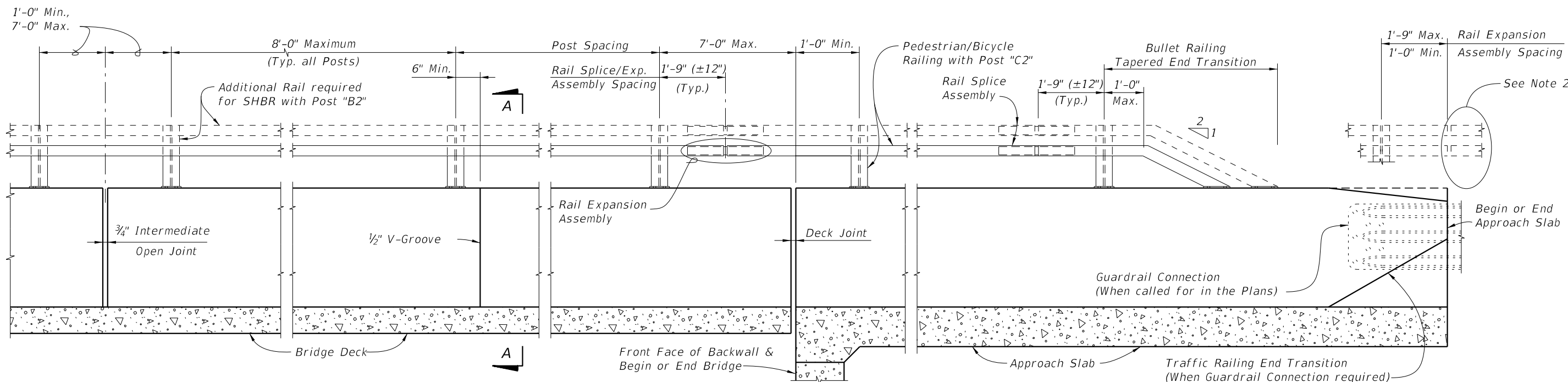
GCL OR RCL MOUNTING DETAILS (SCHEMATIC)
ELEVATION VIEW
(Traffic Railing (36" Single-Slope) shown, other railings similar)



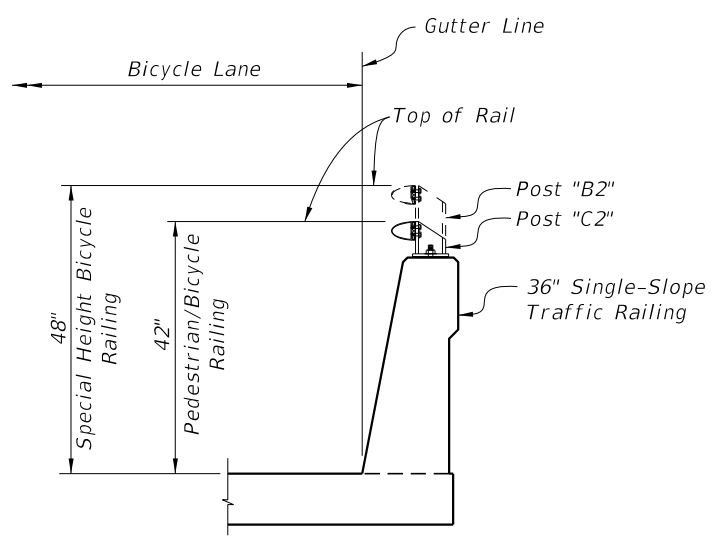
SECTION B-B
TYPICAL POSITION OF RCL OR GCL
RELATIVE TO SUPERSTRUCTURES

10/8/2020 9:22:09 AM

LAST REVISION 11/01/17	DESCRIPTION:	 FY 2021-22 STANDARD PLANS	NAVIGATION LIGHT SYSTEM DETAILS (FIXED BRIDGES)	INDEX 510-001	SHEET 2 of 2
---------------------------	--------------	---	--	------------------	-----------------



ELEVATION OF INSIDE FACE OF TRAFFIC RAILING WITH PEDESTRIAN/BICYCLE BULLET RAILING



SECTION A-A
TYPICAL SECTION THRU BRIDGE DECK
(APPROACH SLAB SIMILAR)

NOTES:

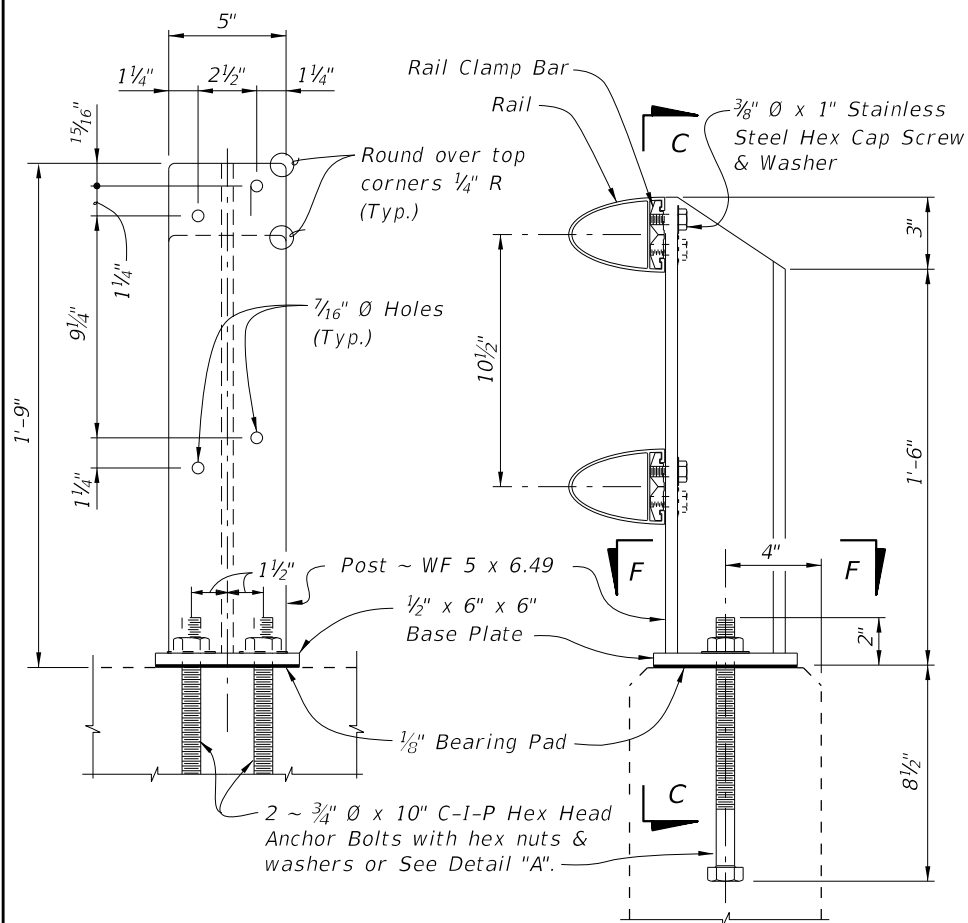
1. A Bullet Railing Tapered-End Transition is required for all approach ends of Bullet Railings on Traffic Railings. When Guardrail Connection is required terminate the Bullet Railing Tapered-End Transition at beginning of the Traffic Railing End Transition.
2. Where Bullet Railing continues on retaining wall mounted Traffic Railings or Barriers, provide a Bullet Railing Tapered End Transition at the terminus of the Bullet Railing.

CROSS REFERENCES:

Work in conjunction with Index 515-022.
For Traffic Railing Details, Reinforcement and Notes see Index 521-427.

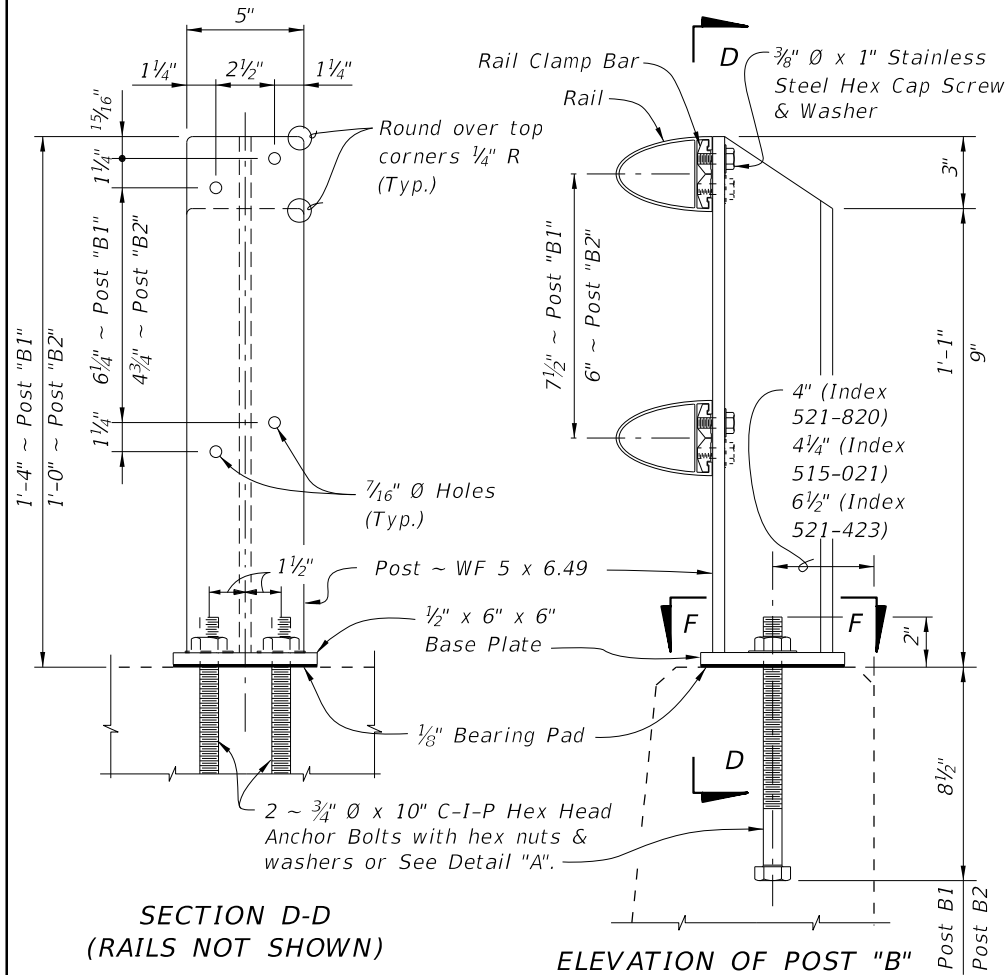
10/8/2020 9:22:11 AM

LAST REVISION 11/01/17	REVISION	DESCRIPTION:	 FY 2021-22 STANDARD PLANS	PEDESTRIAN/BICYCLE BULLET RAILING FOR TRAFFIC RAILING	INDEX 515-021	SHEET 1 of 1
---------------------------	----------	--------------	--	--	------------------	-----------------



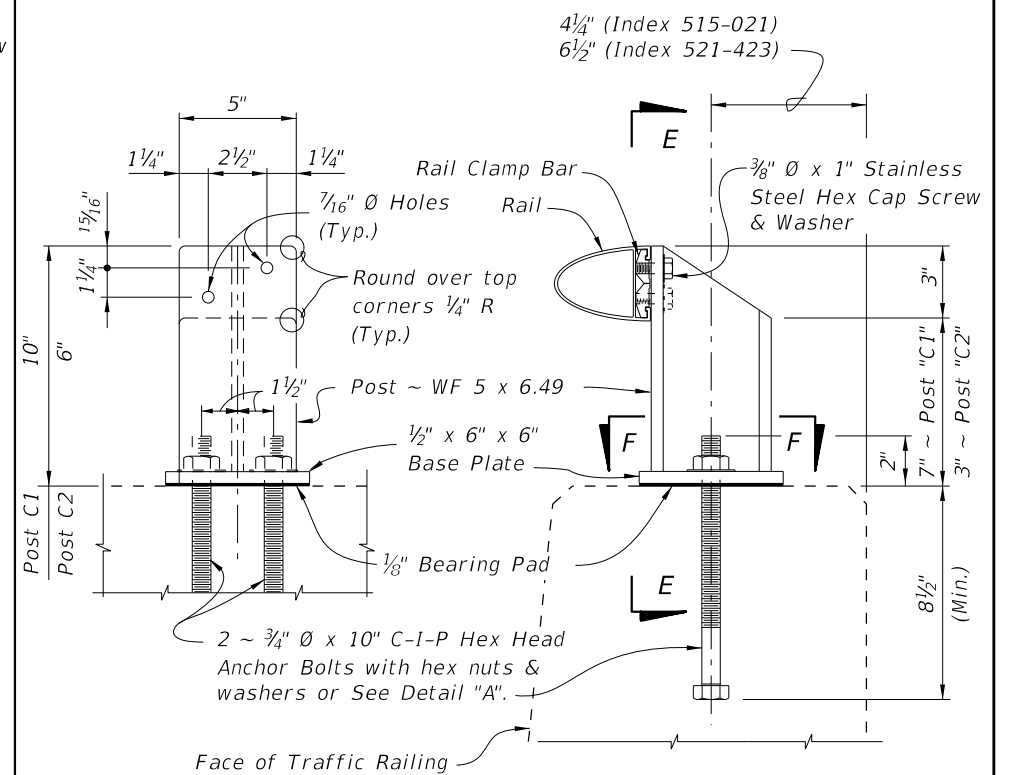
SECTION C-C
(RAILS NOT SHOWN)

POST "D" DETAILS FOR SPECIAL HEIGHT BICYCLE RAILING (SHBR) ON CONCRETE PARAPET (INDEX 521-820)



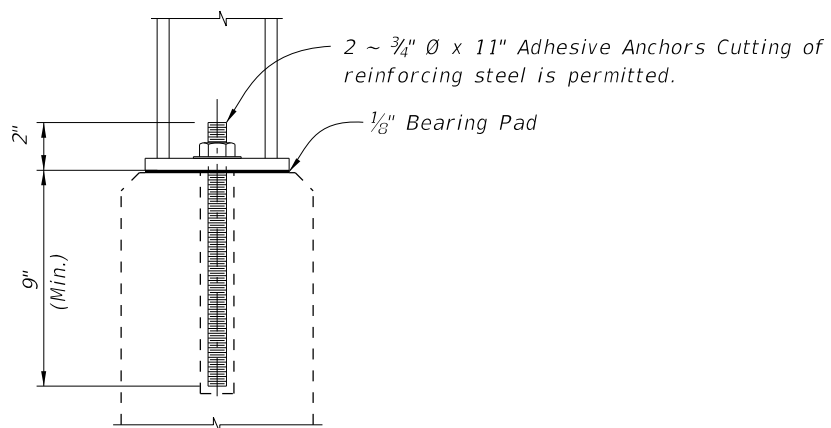
SECTION D-D
(RAILS NOT SHOWN)

POST "B1" DETAILS FOR SHBR ON TRAFFIC RAILING (INDEX 521-423) AND FOR PEDESTRIAN/BICYCLE RAILING (PBR) ON CONCRETE PARAPETS (INDEX 521-820)
POST "B2" DETAILS FOR SHBR ON TRAFFIC RAILING (INDEX 521-427 AND 515-021)

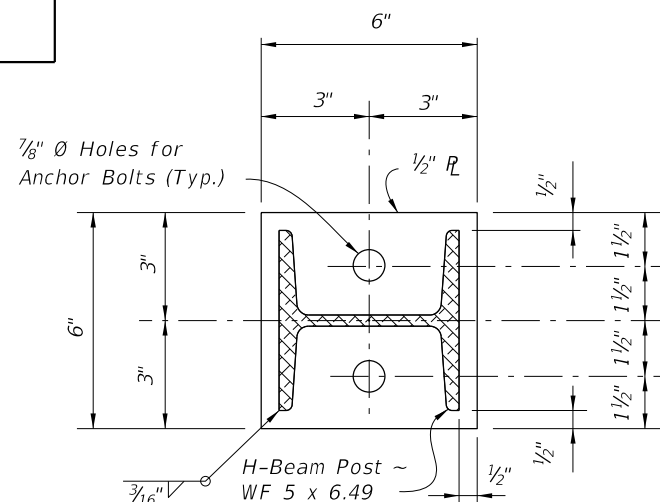


SECTION E-E
(RAIL NOT SHOWN)

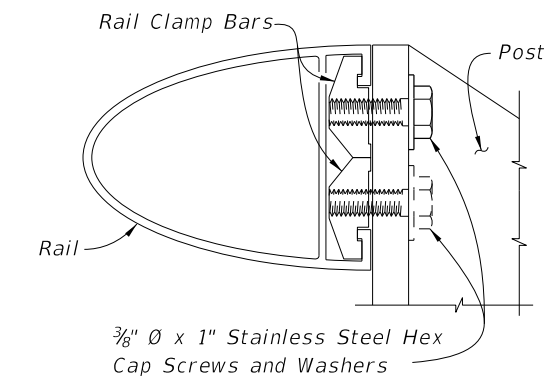
POST "C1" DETAILS FOR PEDESTRIAN/BICYCLE RAILING (PBR) ON TRAFFIC RAILINGS (INDEX 521-423)
POST "C2" DETAILS FOR PBR ON TRAFFIC RAILING (INDEX 521-427 & 515-021)



DETAIL "A"
ALTERNATE ANCHOR BOLT
(Concrete Parapet Shown,
Traffic Railings Similar)



SECTION F-F
BASE PLATE DETAIL



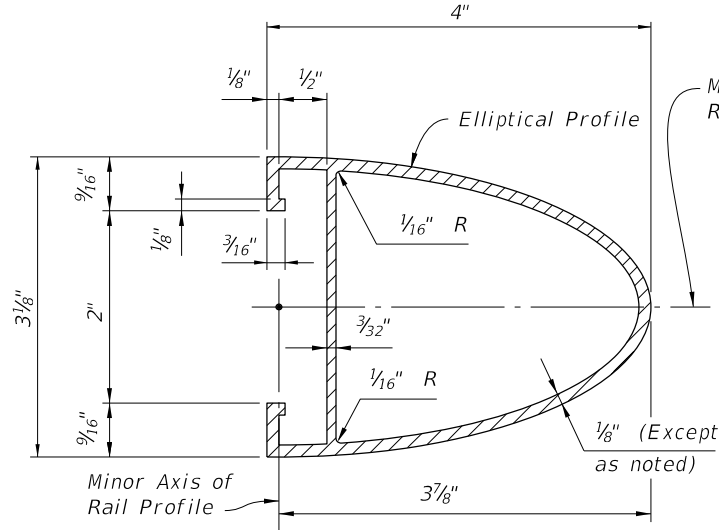
RAIL TO POST CONNECTION DETAIL

CROSS REFERENCES:

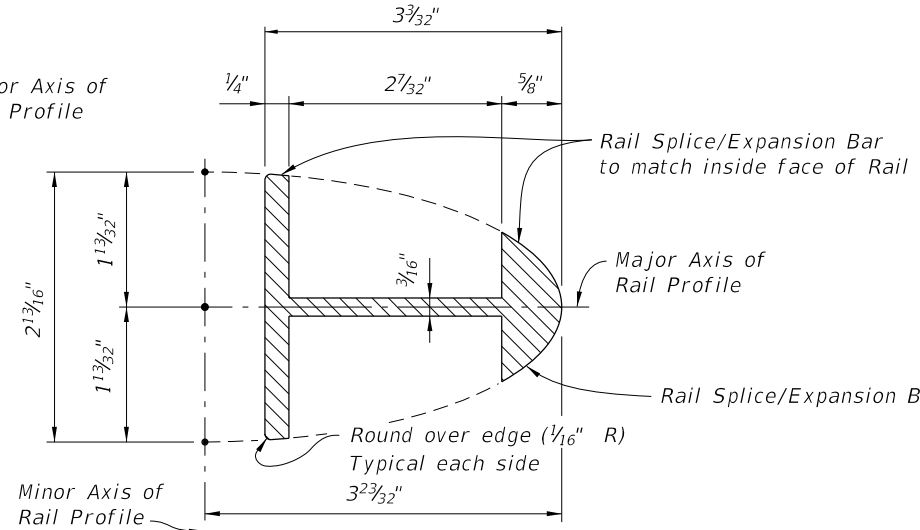
- For post spacing on Concrete Parapets see Index 521-820.
- For post spacing on Traffic Railings see Index 515-021.
- For Rail Details see Sheet 2.
- For Railing Notes and Tapered End Transition Details see Sheet 3.

10/8/2020 9:22:13 AM

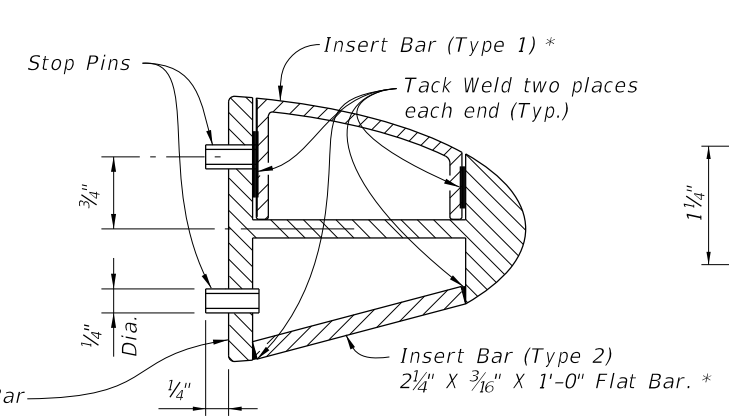
LAST REVISION	DESCRIPTION:
11/01/17	



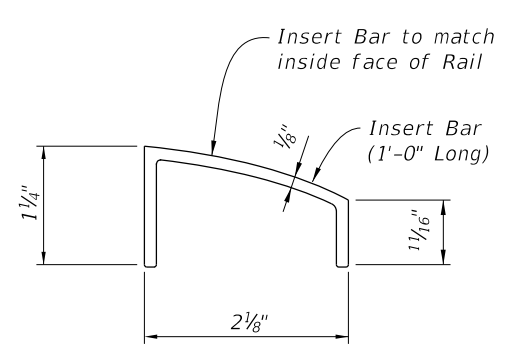
**SECTION A-A
TYPICAL SECTION THRU RAIL**



**SECTION B-B - RAIL SPLICE/EXPANSION BAR
(Rail not shown for clarity)**

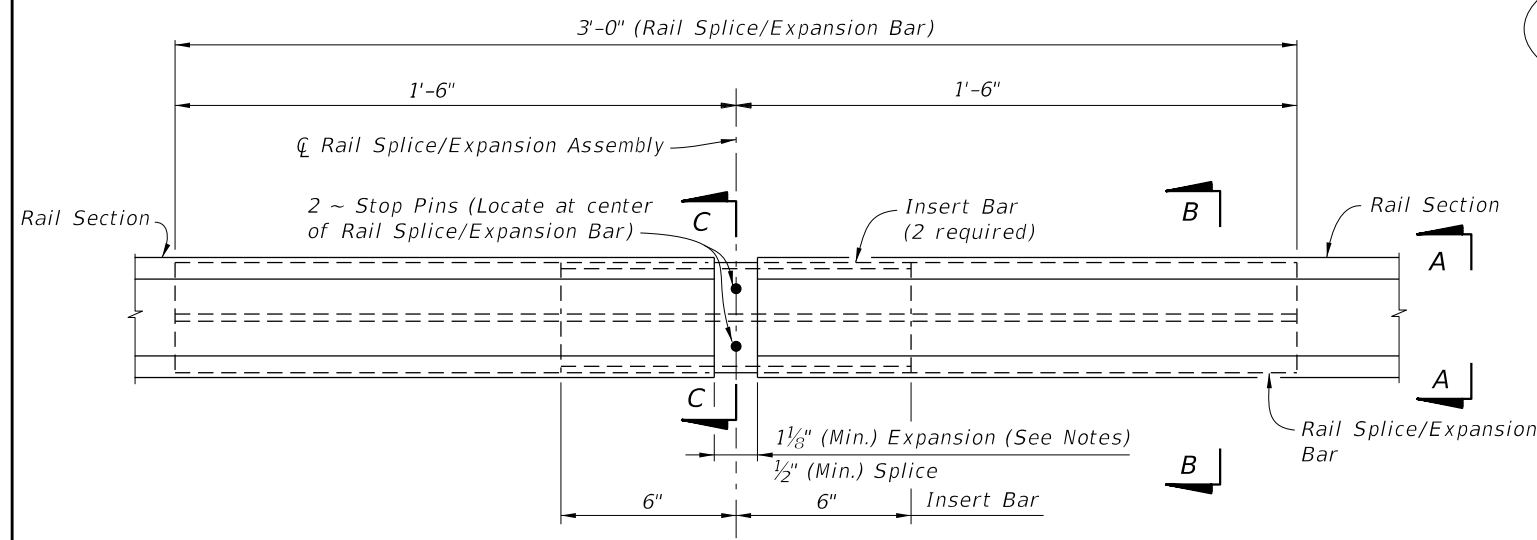


**SECTION C-C
RAIL SPLICE/EXPANSION
BAR ASSEMBLY**

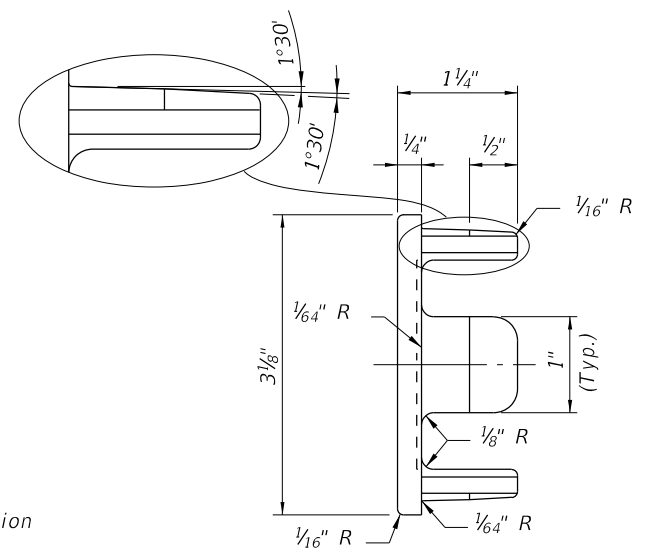


INSERT BAR DETAIL (TYPE 1)

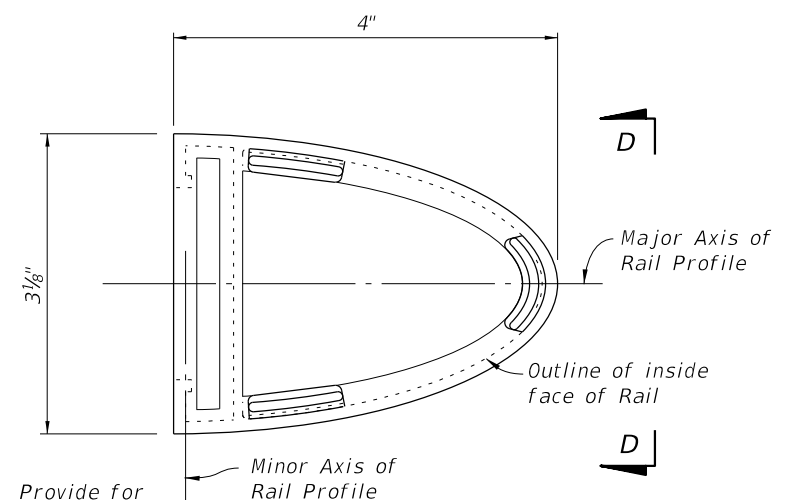
* Use of either Type 1 or Type 2 Insert Bars is at the option of the Contractor.



RAIL SPLICE/EXPANSION ASSEMBLY DETAIL



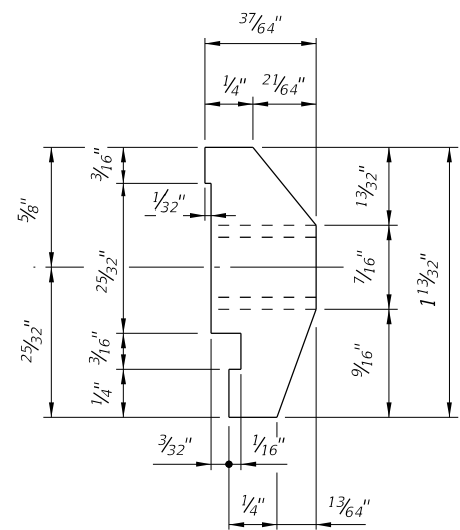
VIEW D-D



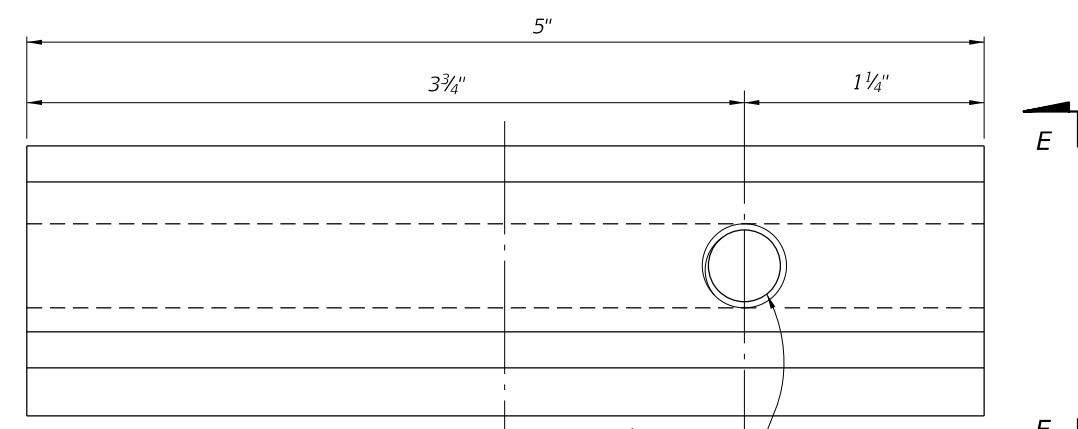
RAIL END CAP DETAIL

NOTE: Provide for drive fit.

CROSS REFERENCE:
For Notes and Tapered End Transition Details,
See Sheet 3.



VIEW E-E

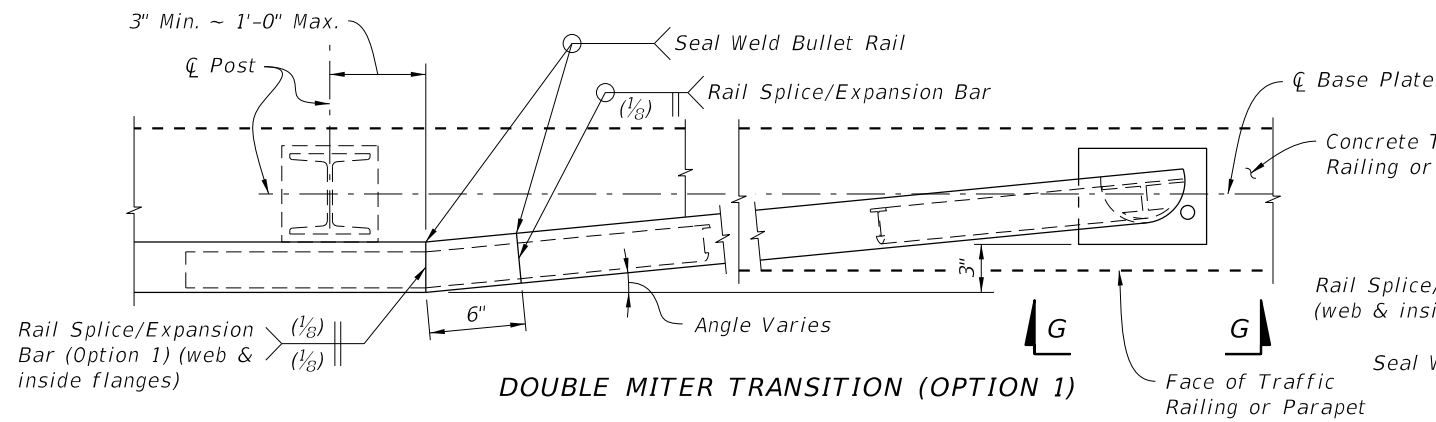


RAIL CLAMP BAR DETAIL

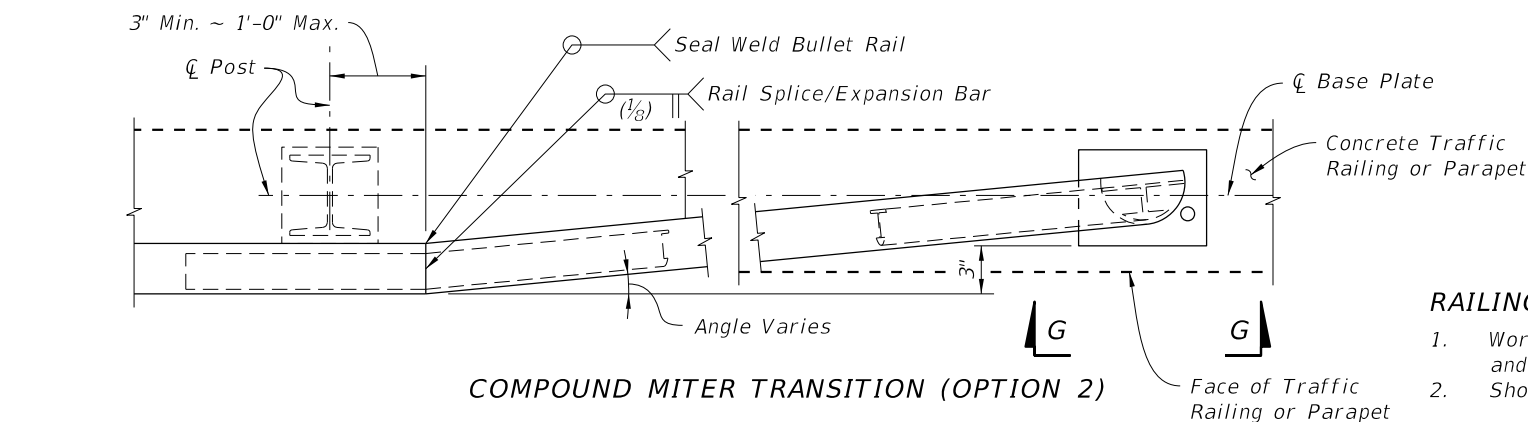
Drill & tap hole to accept 3/8 inch Ø Stainless Steel Fasteners

10/01/2020 9:22:15 AM

LAST REVISION 07/01/14	REVISION	DESCRIPTION:		FY 2021-22 STANDARD PLANS	PEDESTRIAN/BICYCLE BULLET RAILING DETAILS	INDEX 515-022	SHEET 2 of 3
---------------------------	----------	--------------	--	------------------------------	--	------------------	-----------------

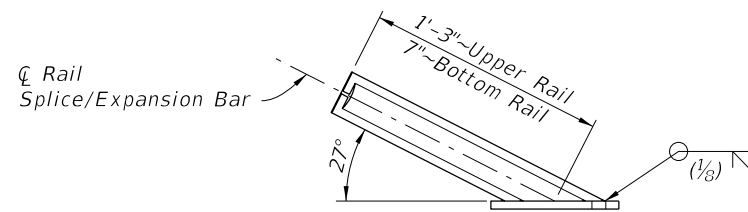


DOUBLE MITER TRANSITION (OPTION 1)

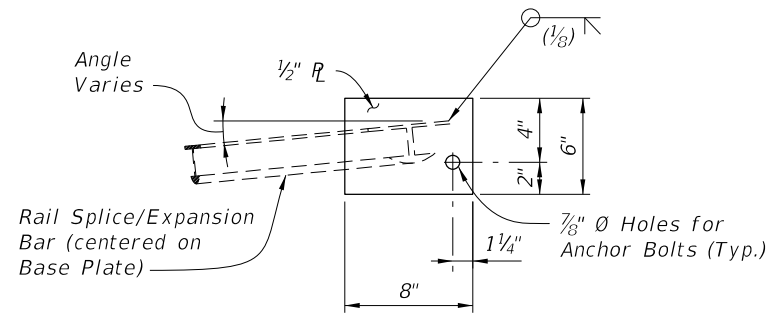


COMPOUND MITER TRANSITION (OPTION 2)

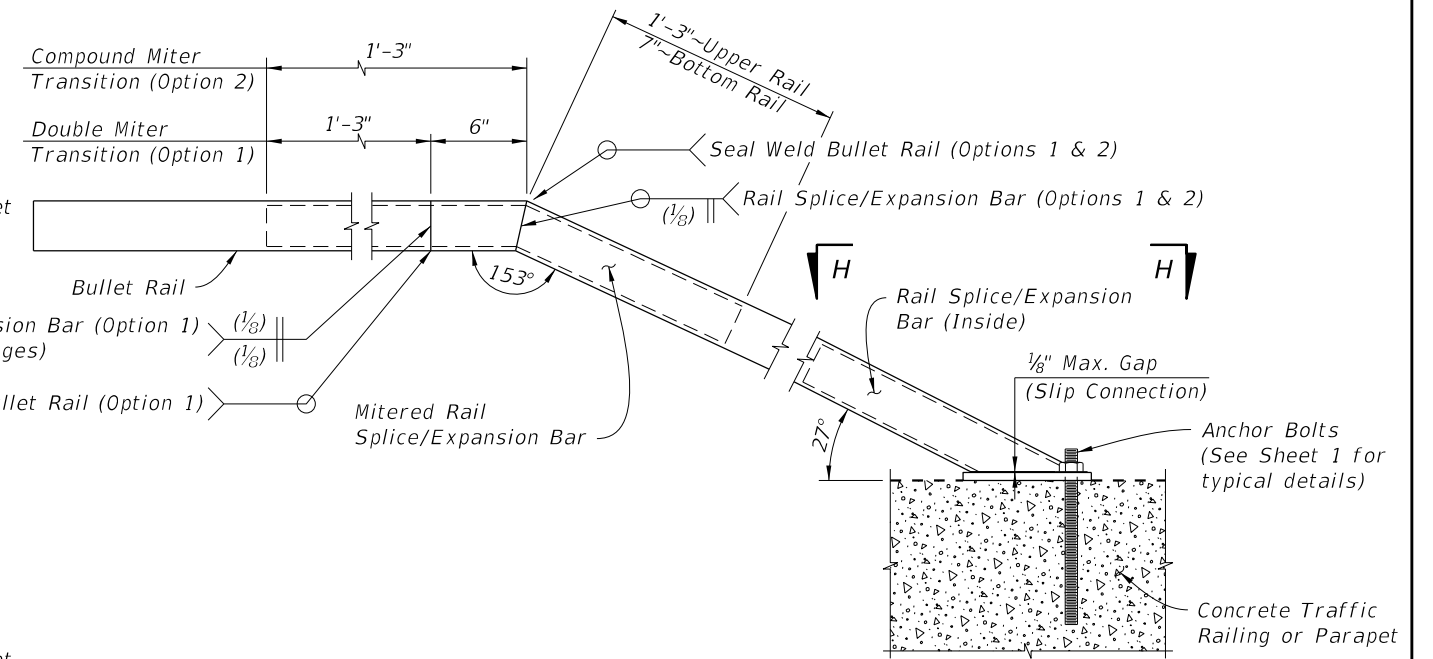
PARTIAL PLAN OF TAPERED END TRANSITIONS
(Single Rail Shown, Double or Triple Rail Similar)



VIEW G-G TRANSITION BASE PLATE
(Bullet Rail not shown for Clarity)



VIEW H-H TRANSITION BASE PLATE
(Bullet Rail not shown for Clarity)



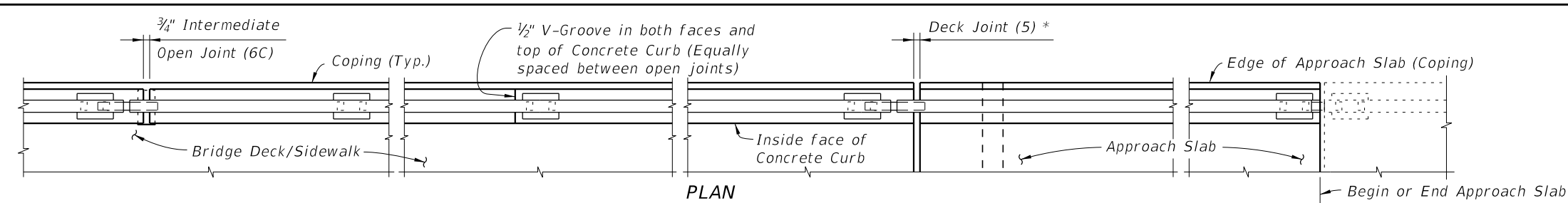
ELEVATION OF TAPERED END TRANSITION
(Single Rail Shown, Double or Triple Rail Similar)

RAILING NOTES:

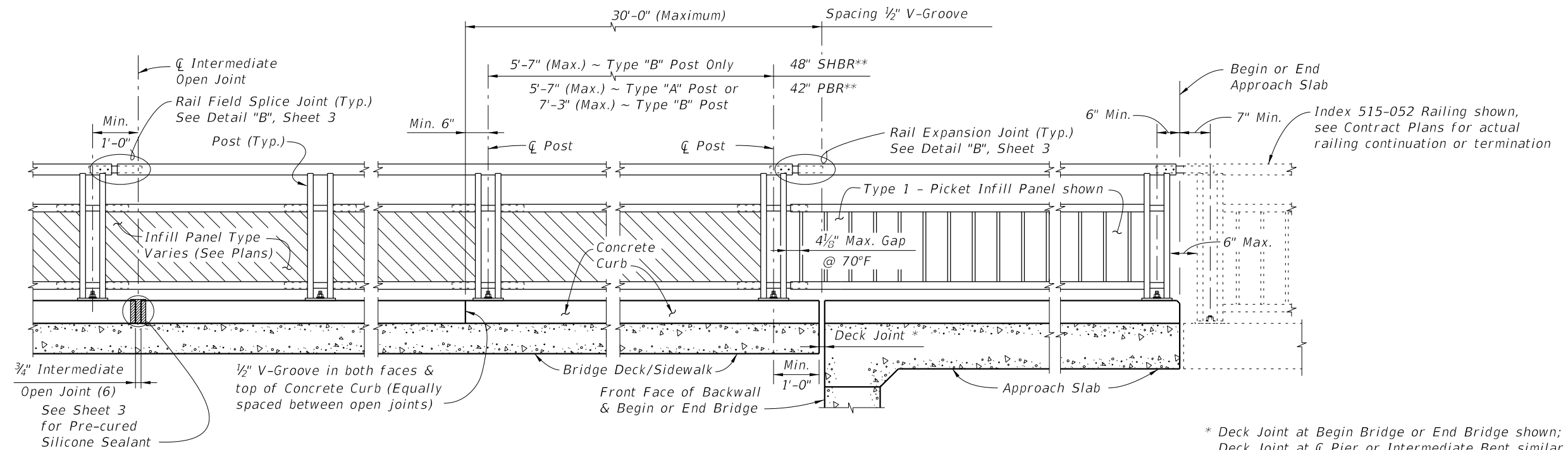
- Work this Index with Index 521-423, 521-427, 521-428, 521-820 and 515-021 and Specification Section 515.
- Shop Drawings: Submit shop drawings prior to fabrication.
 - Include post and rail splice/expansion assembly location for curved alignments with radii < 40 feet and for all end terminations.
- Materials:
 - Supply Aluminum materials in accordance with Specification Section 965 and the following:
 Wrought Aluminum Post: ASTM B221, Alloy 6061-T6 or 6351-T5
 Rail End Cap: ASTM B26 sand cast aluminum alloy 356.0-F
 Plate and Bars: ASTM B209 Alloy 6061-T6
 Rails: ASTM B221 Alloy 6061-T6 or 6351-T5.
 Stop Pins: Press-fit aluminum or stainless steel pins or tubes
 - Stainless Steel Fasteners: ASTM F-593, Alloy Group 2 (316).
 - Bearing Pads: Plain or Fiber Reinforced meeting Specification Section 932 for Ancillary Structures.
 - Anchor Bolts: Galvanized ASTM A307 Grade 36 Hex Head. Galvanized ASTM 1554 Grade 55 Threaded rods for Adhesive Anchors.
- Layout:
 - Posts shall be uniformly spaced with reasonable consistency.
 - Tapered End Transitions are required at the terminus of the approach ends of Bullet Railing mounted on a Traffic Railing. Bullet Railings on concrete parapets shielded by a traffic railing do not require Tapered End Transitions unless noted otherwise in the Plans.
 - Adjust post spacing's to avoid parapet obstacles, such as armor expansion plates, by 9 inches minimum.
 - Rails shall be continuous over a minimum of 3 posts, except that lengths less than 12 feet need only be continuous over 2 posts.
 - Space splices at 40 feet maximum. Splice all rails in a given railing section at about the same center line.
 - Provide rail expansion assemblies in panels between posts on either side of a bridge expansion joint. Rail expansion assemblies are similar to the rail splice assemblies with increased space at the expansion assembly to allow for movement equal to 1.5 times the bridge joint opening or 1" greater than the expected joint movement.
- Installation:
 - Set rails near bridge expansion joints to allow for expected movement.
 - Cutting of reinforcing steel is permitted for post installed anchors.
- Payment: Includes the full cost of installed bullet railing. Cost of the Concrete Parapet or Traffic Railing is separate.

10/01/2020 9:22:56 AM

LAST REVISION 11/01/20	REVISION	DESCRIPTION:		FY 2021-22 STANDARD PLANS	PEDESTRIAN/BICYCLE BULLET RAILING DETAILS	INDEX 515-022	SHEET 3 of 3
---------------------------	----------	--------------	--	-------------------------------------	---	-------------------------	------------------------



PLAN
(Scheme 2 shown, other Schemes similar, Reinforcing Steel not shown for clarity)



ELEVATION OF INSIDE FACE OF RAILING
(Scheme 2 shown with Post "A", other Schemes similar, Reinforcing Steel not shown for clarity)


* Deck Joint at Begin Bridge or End Bridge shown;
Deck Joint at ϕ Pier or Intermediate Bent similar.

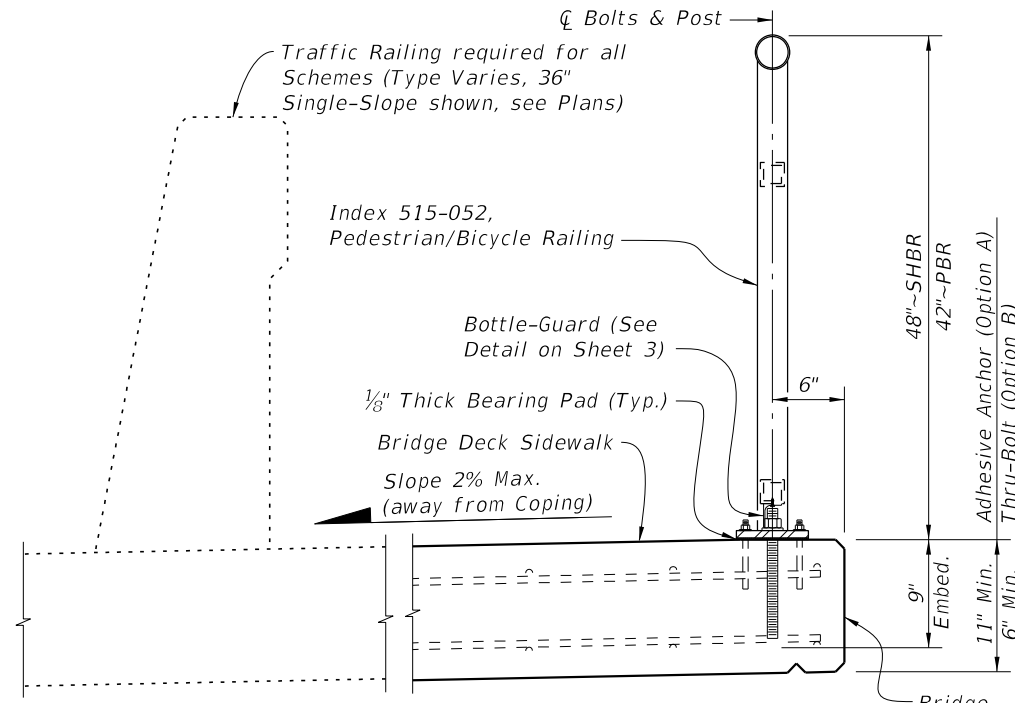
** SHBR~Special Height Bicycle Rail
PBR~Pedestrian/Bicycle Rail

NOTES:

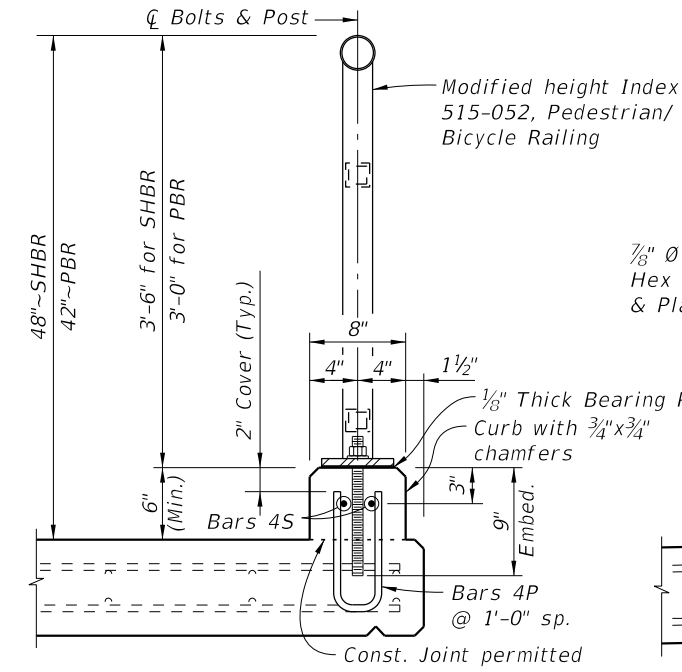
1. Shop Drawings are required.
2. Work this Index with Index 515-052 Bicycle/Pedestrian Railing Details (Steel) and Specification Section 515. Refer to the SPI for Design Criteria and Limits of Use.
3. Materials:
 - A. Steel: Galvanized after fabrication
 - a. Fasteners: Hex Head Bolt ASTM A307, Hex Nuts ASTM A563, Washers ASTM F436
 - b. Support Bracket (Scheme 3) L-shape and Stiffener Plate: ASTM A36
 - c. Bottle-guard (Schemes 1 & 3) L-shape: ASTM A36
 - B. Concrete: Same as bridge deck
 - C. Pre-cured Silicone Sealant: Specification Section 932
 - D. Bearing Pads: Provide $\frac{1}{8}$ " Plain, Fabric Reinforced or Fabric Laminated bearing pads that meet the requirements of Specification Section 932 for Ancillary Structures.
4. See Structures Plans, Superstructure Sheets for bridge information including concrete type, deck expansion joint locations and orientations, and thermal movement.
5. Railings:
 - A. For thermal movement greater than 4" (up to a maximum of 5"), clear opening between adjacent pickets, or panels at Rail Expansion Joints above Deck Joints must be reduced to $3\frac{1}{2}$ ".
 - B. For treatment of railings on skewed bridges see Index 521-427.
6. Curbs:
 - A. Match open curb joints at Deck Expansion Joint locations to the deck joint dimension.
 - B. Construct Concrete Curb (Scheme 2) vertical with the top surface finished level transversely. See Concrete Curb Details Sheet 3.
 - C. Provide $\frac{3}{4}$ " Intermediate open joints in curbs coinciding with the $\frac{3}{4}$ " joints in the traffic railing.
7. Payment: Support bracket (Scheme 3) is incidental to the cost of railing. Curb concrete and reinforcing steel (Scheme 2) are included in the bridge deck quantities.

11/6/2020 1:08:24 PM

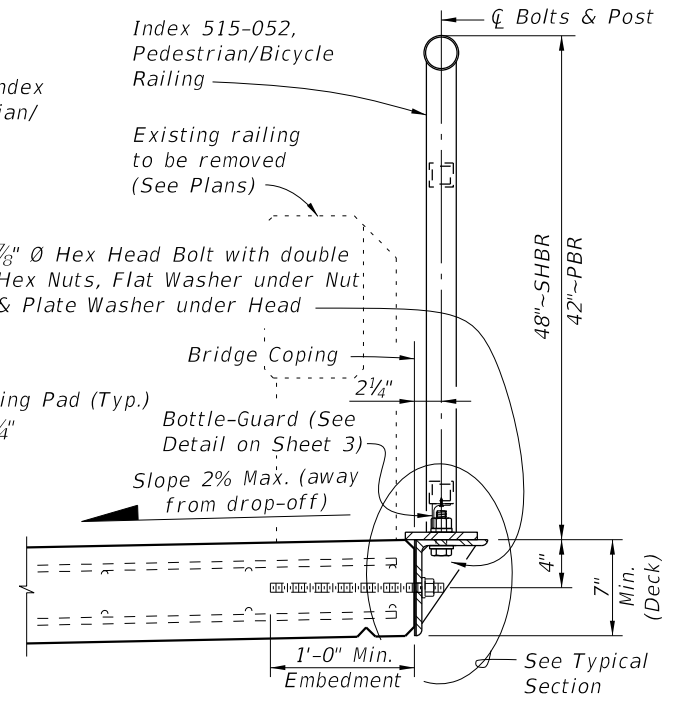
LAST REVISION 11/01/17	DESCRIPTION:	 FY 2021-22 STANDARD PLANS	BRIDGE PEDESTRIAN/BICYCLE RAILING (STEEL)	INDEX 515-051	SHEET 1 of 3
---------------------------	--------------	---	--	------------------	-----------------



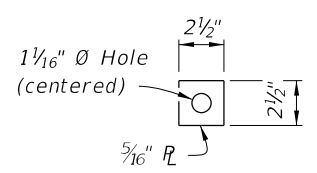
SCHEME 1A - DETAILS
(Adhesive Anchor Option shown)



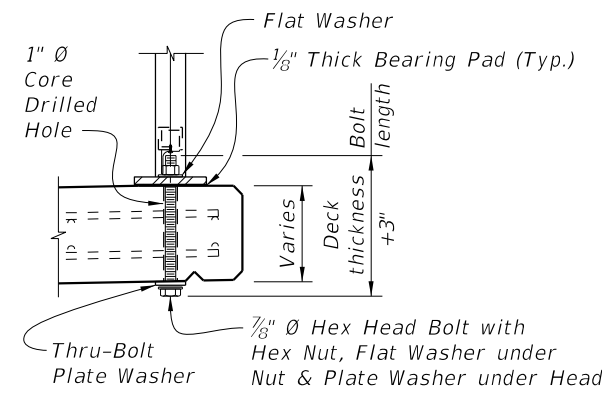
SCHEME 2 -
TYPICAL SECTION THROUGH
CURB MOUNTED RAILING



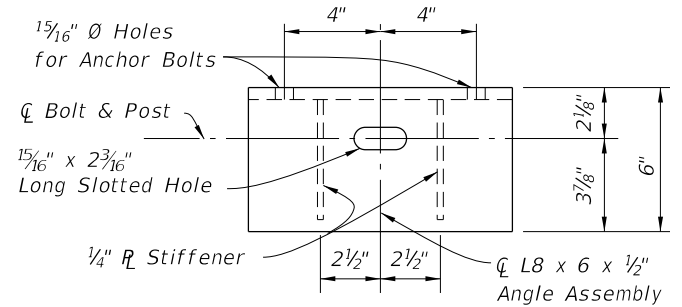
SCHEME 3 -
TYPICAL SECTION THROUGH
SIDE MOUNTED RAILING (RETROFIT)



THRU-BOLT PLATE
WASHER DETAIL



SCHEME 1B - DETAILS
(Thru-Bolt Option)



PLAN VIEW

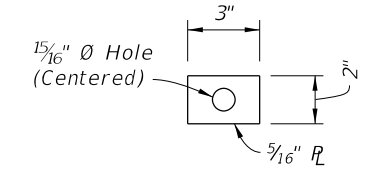
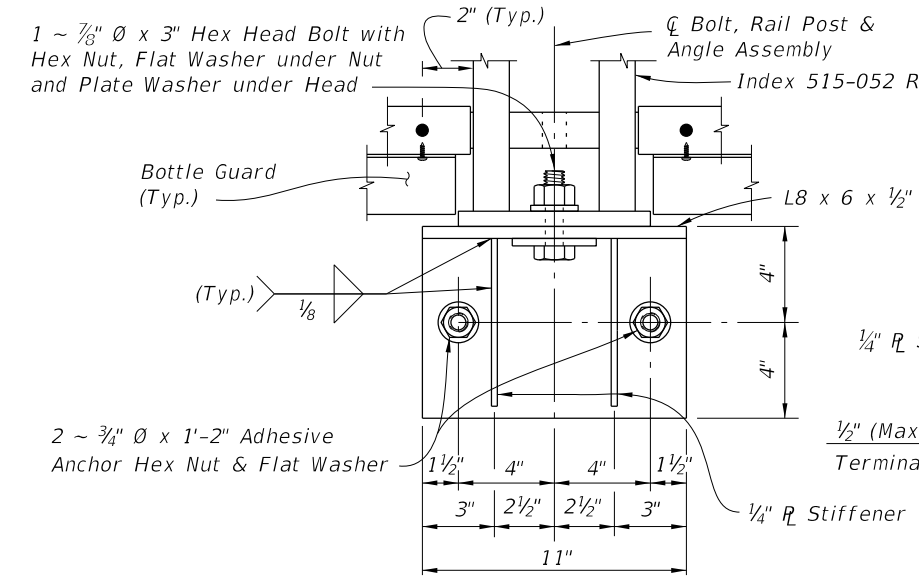
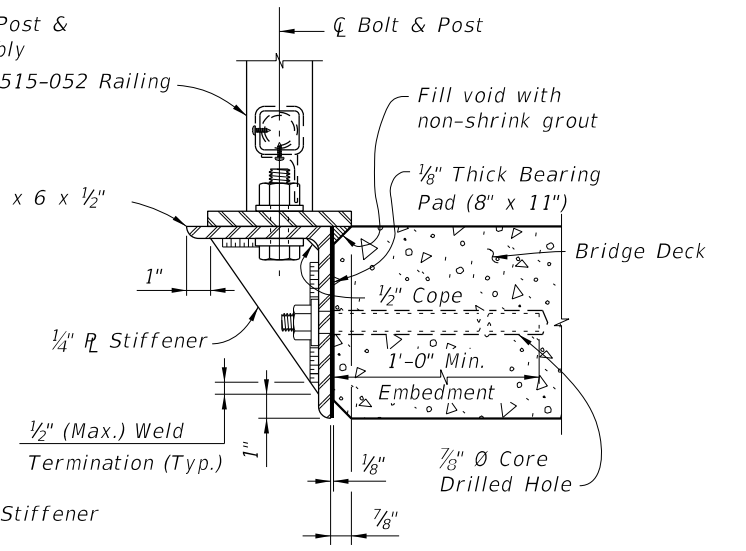


PLATE WASHER DETAIL



ELEVATION VIEW



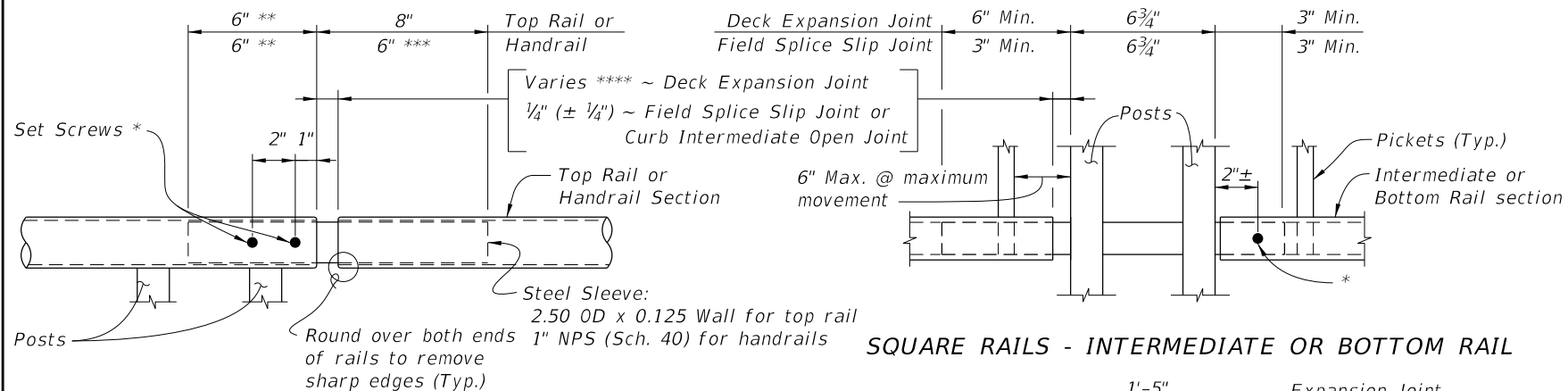
TYPICAL SECTION

SCHEME 1 - TYPICAL SECTION THROUGH DECK MOUNTED RAILING

SCHEME 3 - SIDE-MOUNTED SUPPORT BRACKET DETAILS

10/8/2020 9:23:14 AM

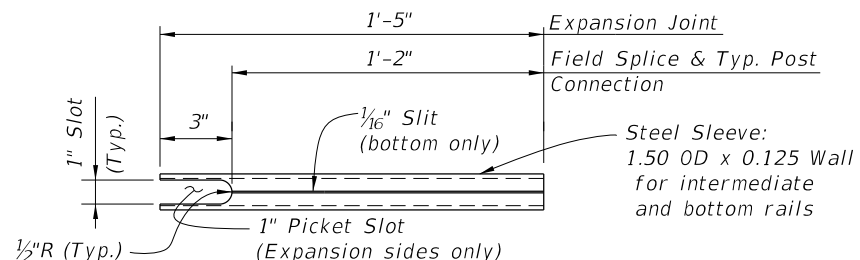
LAST REVISION 11/01/17	DESCRIPTION:	 FY 2021-22 STANDARD PLANS	BRIDGE PEDESTRIAN/BICYCLE RAILING (STEEL)	INDEX	SHEET
				515-051	2 of 3



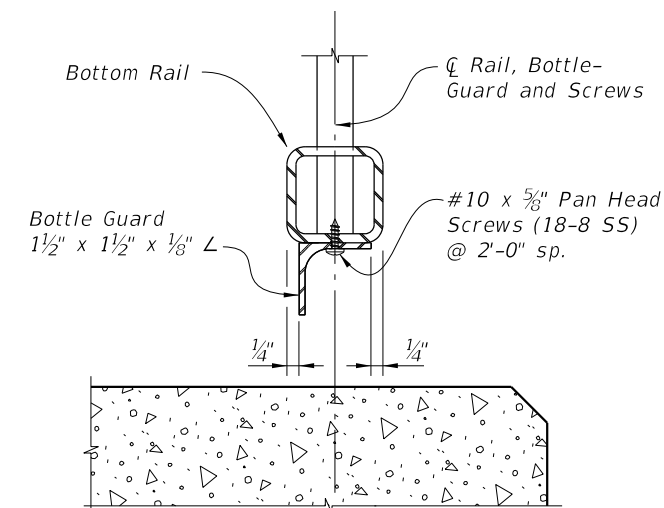
ROUND RAILS - TOP RAIL OR HANDRAIL

- * 1/4" Ø x 3/4" Pan Head Stainless Steel (Type 316 or 18-8 Alloy) Set Screws along outside face of railing. Set screws must be set flush against the rail surface. A 3/4" Ø plug weld may be substituted for the two set screws at expansion joints.
- ** Embedded length may be 4" for plug welded connection.
- *** Increase handrail sleeve embedment to 8" for Expansion Joint openings greater than 2".
- **** Expansion Joint opening shall match the clear opening in the deck joint but not greater than 3".

SQUARE RAILS - INTERMEDIATE OR BOTTOM RAIL



INTERMEDIATE OR BOTTOM RAIL - STEEL SLEEVE DETAIL (Bottom Side Shown)



TYPICAL SECTION THROUGH BOTTOM RAIL (Post Not Shown for Clarity)

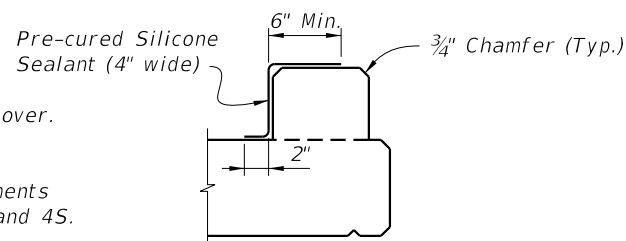
SCHEME 1 - BOTTLE GUARD DETAIL

DETAIL "B" EXPANSION JOINT (FIELD SPLICE SIMILAR)

ALTERNATE REINFORCING (WWR) DETAILS		CONVENTIONAL REINFORCING STEEL BENDING DIAGRAMS		
NOTE: Place wire panels to minimize the end overhang. End Overhangs greater than 4 3/4" are not permitted.		BILL OF REINFORCING STEEL		
<p>SPLICE DETAIL (Between WWR Sections)</p> <p>WWR SECTION DETAIL</p>		MARK	SIZE	LENGTH
		P	4	2'-0"
		S	4	As Req'd.
		<p>BAR 4P BAR 4S</p>		

CROSS REFERENCE:
See Sheet 1 for Bridge Railing Notes.

- CURB REINFORCING STEEL NOTES:**
- All bar dimensions in the bending diagrams are out to out.
 - The reinforcement for the curb on a retaining wall shall be the same as detailed for an 8" deck.
 - All reinforcing steel at the open joints shall have a 2" minimum cover.
 - Bars 4S may be continuous or spliced at the construction joints. Bar splices for Bars 4S shall be a minimum of 1'-8".
 - Deformed Welded Wire Reinforcement (WWR) meeting the requirements of Specification Section 931 may be used in lieu of all Bars 4P and 4S.

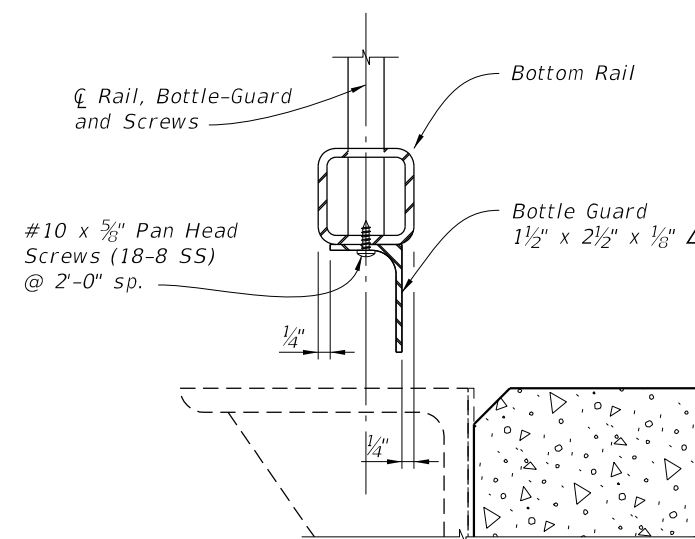


DETAIL "A" - SECTION AT INTERMEDIATE OPEN JOINT

INTERMEDIATE JOINT SEAL NOTE:
At Intermediate Open Joints, seal the lower 6" portion of the open joint with Pre-cured Silicone Sealant. Apply sealant prior to any Class V finish coating and remove all curing compound and loose material from the surface prior to application of bonding agent.

ESTIMATED CONCRETE CURB QUANTITIES (SCHEME 2)		
ITEM	UNIT	QUANTITY
Concrete	CY/LF	0.0124
Reinforcing Steel	LB/LF	4.01

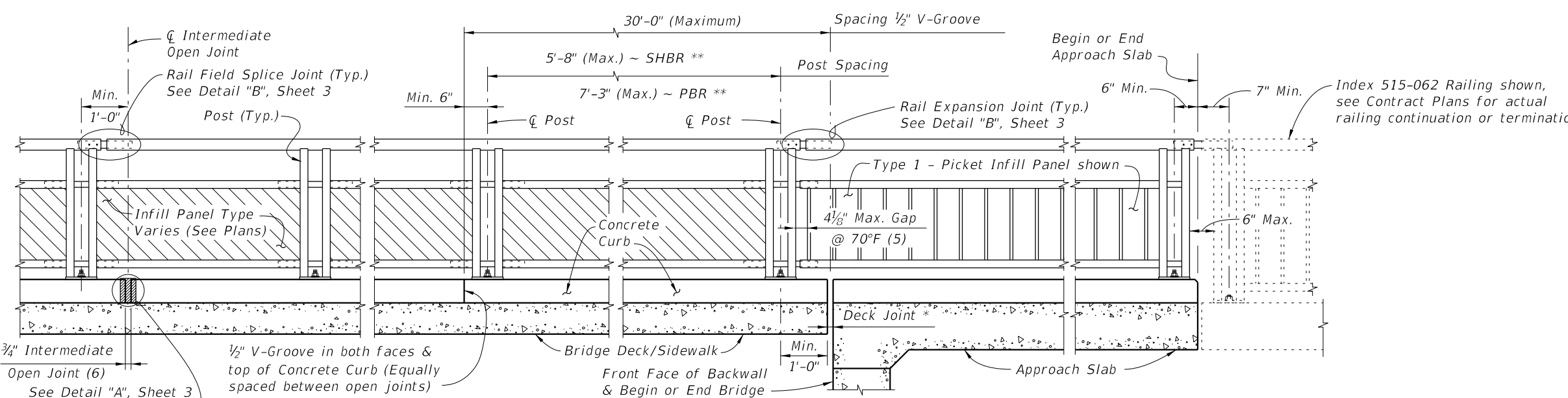
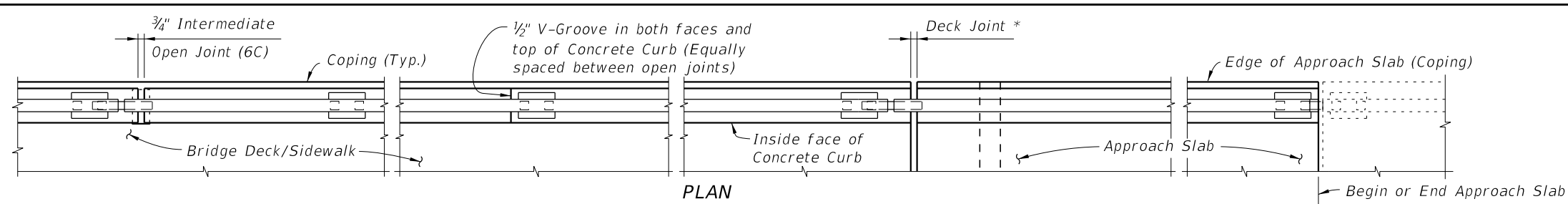
SCHEME 2 - CONCRETE CURB DETAILS



TYPICAL SECTION THROUGH BOTTOM RAIL (Post Not Shown for Clarity)

SCHEME 3 - BOTTLE GUARD DETAIL

10/8/2020 9:23:16 AM



* Deck Joint at Begin Bridge or End Bridge shown; Deck Joint at ϕ Pier or Intermediate Bent similar.

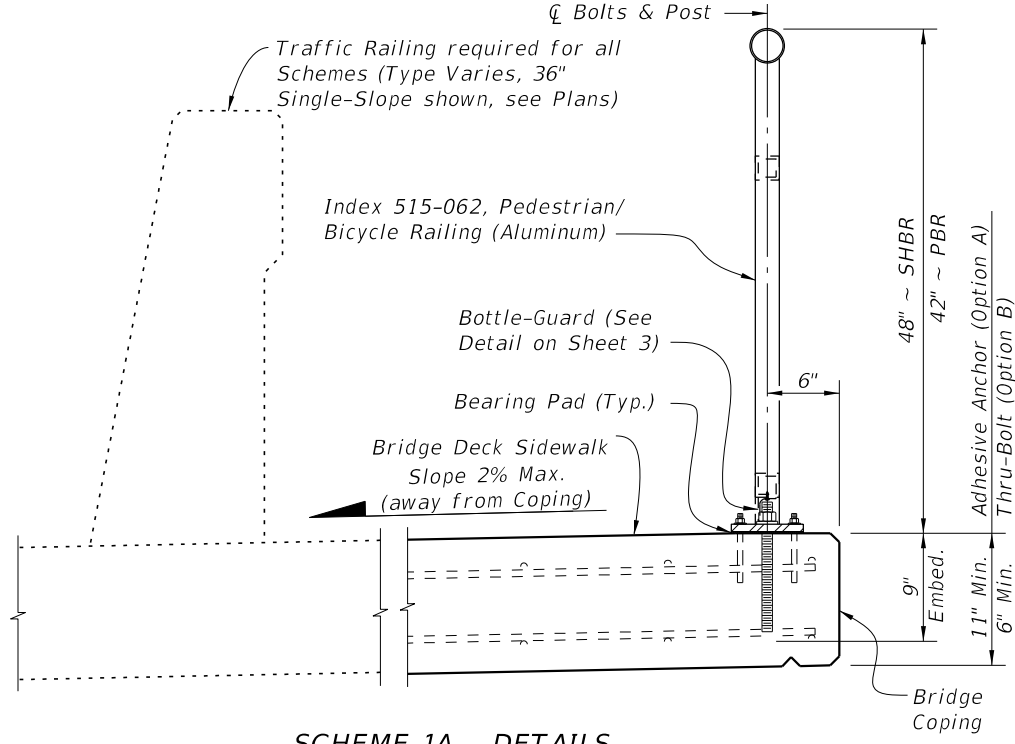
** SHBR ~ Special Height Bicycle Railing
PBR ~ Pedestrian/Bicycle Railing

NOTES:

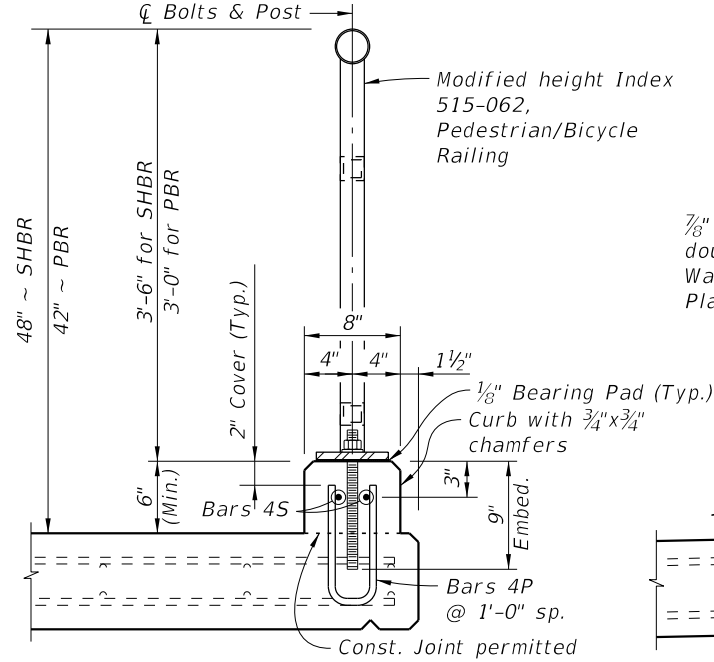
- Shop Drawings are required.
- Work this Index with Index 515-062 Aluminum Bicycle/Pedestrian Railing Details and Specification Section 515. Refer to the IDS for Design Criteria and Limits of Use.
- Materials:
 - Galvanized Steel Fasteners: Hex Head Bolt ASTM A307, Hex Nuts ASTM A563, Washers ASTM F436
 - Aluminum:
 - Support Bracket (Scheme 3) L-shape and Stiffener Plate: ASTM B209, Alloy 6061-T6
 - Bottle-guard (Schemes 1 & 3) L-shape: ASTM B209, Alloy 6061-T6 or 6063-T5
 - Concrete: Same as bridge deck
 - Pre-cured Silicone Sealant: Specification Section 932
 - Bearing Pads: Provide $\frac{1}{8}$ " thick Plain, Fabric Reinforced or Fabric Laminated pads meeting the requirements of Specification Section 932 for Ancillary Structures.
- See Structures Plans, Superstructure Sheets for bridge information including concrete type, deck expansion joint locations and orientations, and thermal movement.
- Railings:
 - For thermal movement greater than 4" (up to a maximum of 5"), clear opening between adjacent pickets, or panels at Rail Expansion Joints above Deck Joints must be reduced to $3\frac{1}{2}$ ".
 - For treatment of railings on skewed bridges see Index 521-427.
- Curbs:
 - Match open curb joints at Deck Expansion Joint locations to the deck joint dimension.
 - Construct Concrete Curb (Scheme 2) vertical with the top surface finished level transversely. See Concrete Curb Details Sheet 3.
 - Provide $\frac{3}{4}$ " intermediate open joints in curbs coinciding with the $\frac{3}{4}$ " joints in the traffic railing.
- Payment: Support bracket (Scheme 3) is incidental to the cost of railing. Curb concrete and reinforcing steel (Scheme 2) are included in the bridge deck quantities.

10/8/2020 9:23:21 AM

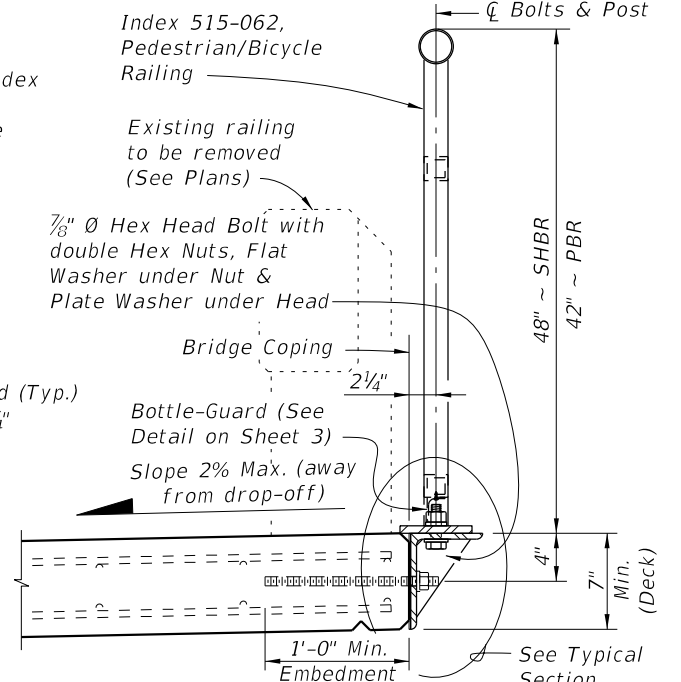
LAST REVISION 11/01/17	REVISION	DESCRIPTION:	 FY 2021-22 STANDARD PLANS	BRIDGE PEDESTRIAN/BICYCLE RAILING (ALUMINUM)	INDEX 515-061	SHEET 1 of 3
---------------------------	----------	--------------	--	---	------------------	-----------------



SCHEME 1A - DETAILS
(Adhesive Anchor Option)

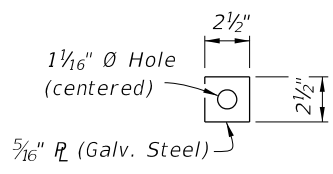


SCHEME 2 -
TYPICAL SECTION THROUGH
CURB MOUNTED RAILING

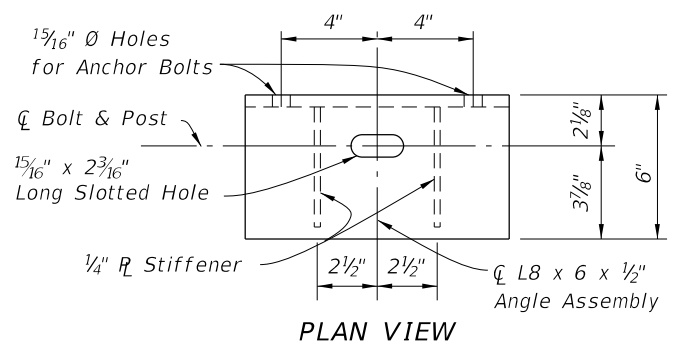


SCHEME 3 -
TYPICAL SECTION THROUGH
SIDE MOUNTED RAILING (RETROFIT)

CROSS REFERENCE:
See Sheet 1 for Bridge Railing Notes.



THRU-BOLT PLATE
WASHER DETAIL



PLAN VIEW

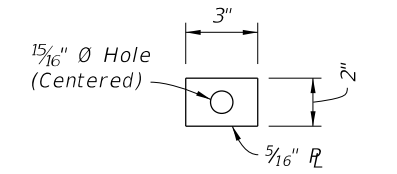
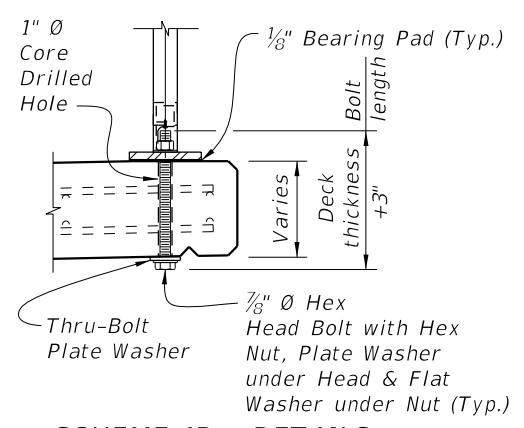
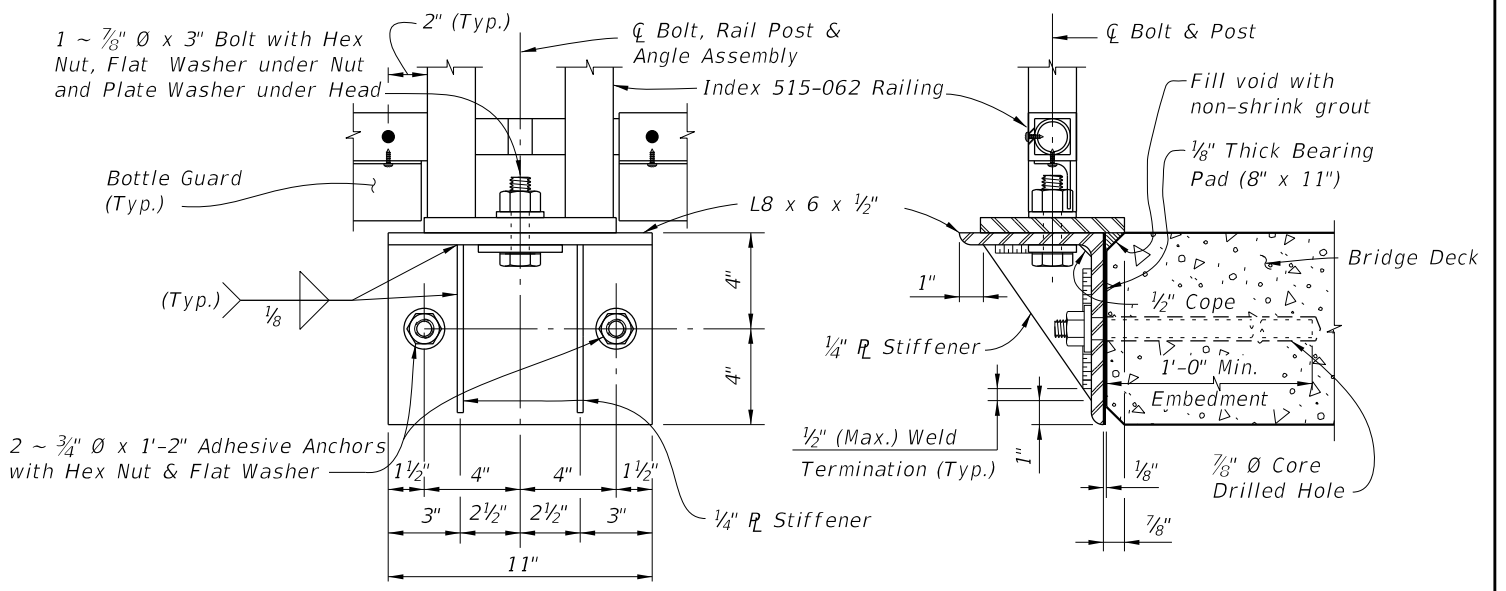


PLATE WASHER DETAIL



SCHEME 1B - DETAILS
(Thru-Bolt Option)



ELEVATION VIEW

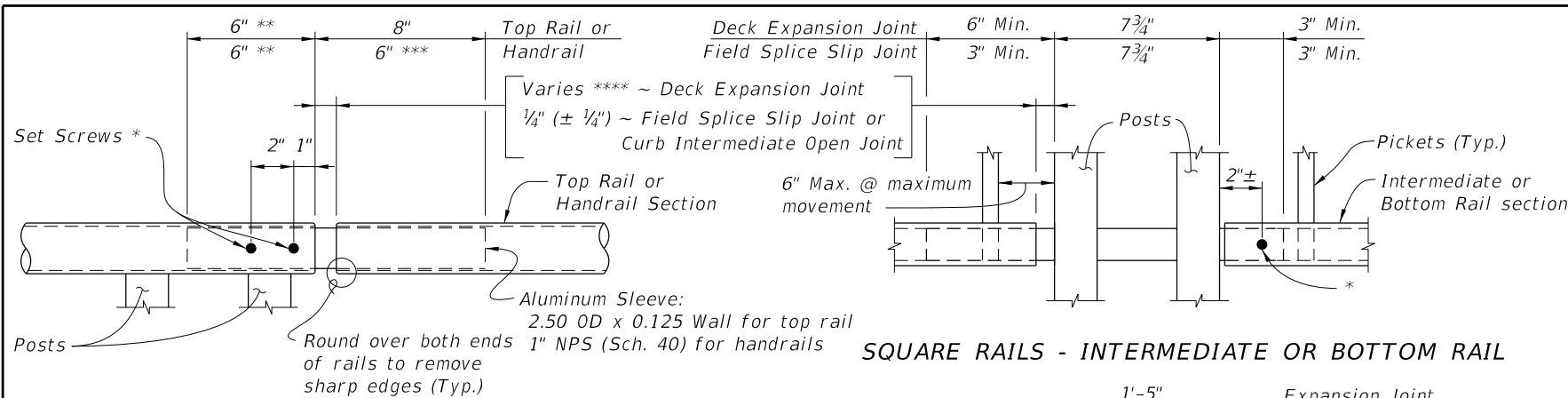
TYPICAL SECTION

SCHEME 1 - TYPICAL SECTION THROUGH DECK MOUNTED RAILING

SCHEME 3 - SIDE-MOUNTED SUPPORT BRACKET DETAILS

10/8/2020 9:23:23 AM

LAST REVISION 11/01/17	DESCRIPTION:		FY 2021-22 STANDARD PLANS	BRIDGE PEDESTRIAN/BICYCLE RAILING (ALUMINUM)	INDEX 515-061	SHEET 2 of 3
REVISION						



ROUND RAILS - TOP RAIL OR HANDRAIL

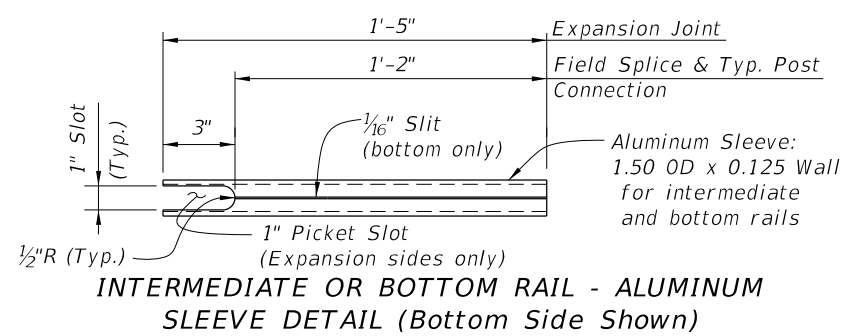
* $\frac{1}{4}$ " \varnothing x $\frac{3}{4}$ " Pan Head Aluminum (Alloy 7075-T73) or Stainless Steel (Type 316 or 18-8 Alloy) Set Screws along outside face of railing. Set screws must be set flush against the rail surface. A $\frac{3}{4}$ " \varnothing plug weld may be substituted for the two set screws at expansion joints.

** Embedded length may be 4" for plug welded connection.

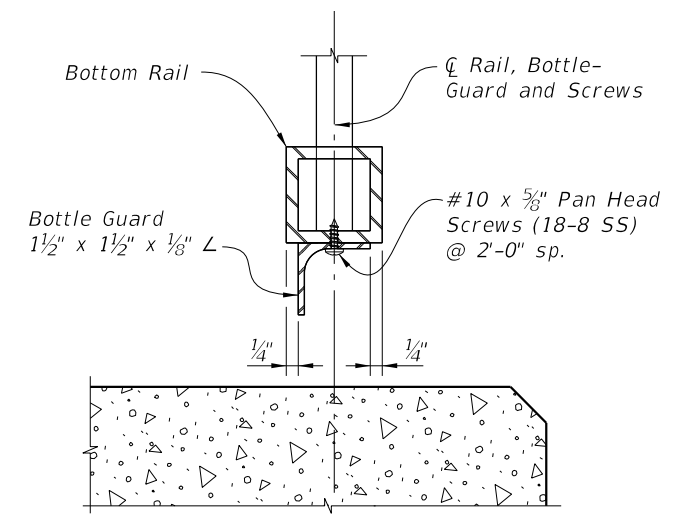
*** Increase handrail sleeve embedment to 8" for Expansion Joint openings greater than 2".

**** Expansion Joint opening shall match the clear opening in the deck joint but not greater than 3".

SQUARE RAILS - INTERMEDIATE OR BOTTOM RAIL



INTERMEDIATE OR BOTTOM RAIL - ALUMINUM SLEEVE DETAIL (Bottom Side Shown)



TYPICAL SECTION THROUGH BOTTOM RAIL (Post Not Shown for Clarity)

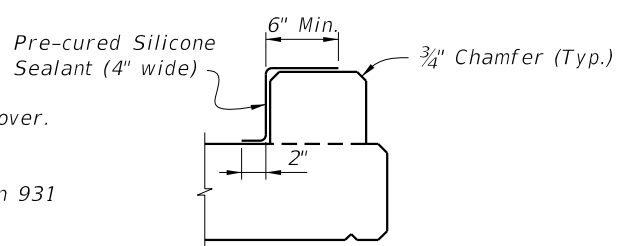
SCHEME 1 - BOTTLE GUARD DETAIL

DETAIL "B" EXPANSION JOINT (FIELD SPLICE SIMILAR)

ALTERNATE REINFORCING (WWR) DETAILS		CONVENTIONAL REINFORCING STEEL BENDING DIAGRAMS	
NOTE: Place wire panels to minimize the end overhang. End Overhangs greater than 4 $\frac{3}{4}$ " are not permitted.		BILL OF REINFORCING STEEL	
<p>SPLICE DETAIL (Between WWR Sections)</p>		MARK	SIZE
<p>WWR SECTION DETAIL</p>		P	4
		S	4
		As Reqd.	
		<p>BAR 4P</p>	
		<p>BAR 4S</p>	

CURB REINFORCING STEEL NOTES:

- All bar dimensions in the bending diagrams are out to out.
- The reinforcement for the curb on a retaining wall shall be the same as detailed for an 8" deck.
- All reinforcing steel at the open joints shall have a 2" minimum cover.
- Bars 4S may be continuous or spliced at the construction joints. Bar splices for Bars 4S shall be a minimum of 1'-8".
- Deformed WWR meeting the requirements of Specifications Section 931 may be used in lieu of all Bars 4P and 4S.



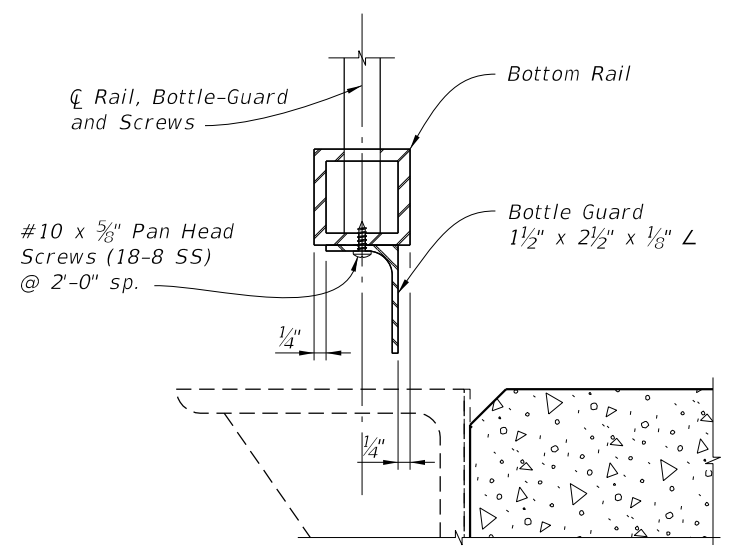
DETAIL "A" - SECTION AT INTERMEDIATE OPEN JOINT

INTERMEDIATE JOINT SEAL NOTE:

At Intermediate Open Joints, seal the lower 6" portion of the open joint with Pre-cured Silicone Sealant. Apply sealant prior to any Class V finish coating and remove all curing compound and loose material from the surface prior to application of bonding agent.

ESTIMATED CONCRETE CURB QUANTITIES (SCHEME 2)		
ITEM	UNIT	QUANTITY
Concrete	CY/LF	0.0124
Reinforcing Steel	LB/LF	4.01

SCHEME 2 - CONCRETE CURB DETAILS



TYPICAL SECTION THROUGH BOTTOM RAIL (Post Not Shown for Clarity)

SCHEME 3 - BOTTLE GUARD DETAIL

10/8/2020 9:23:25 AM

GENERAL NOTES

CONCRETE: Concrete for the Traffic Railing (Vertical Face Retrofit) shall be Class IV. Concrete for Curb Transition Blocks shall be Class II (Bridge Deck).

ADHESIVE-BONDED DOWELS: Adhesive Bonding Material Systems for Dowels shall comply with Specification Section 937 and be installed in accordance with Specification Section 416. The field testing proof loads required by Specification Section 416 shall be 23,800 lbs. for Dowel Bars 6D on the inside face (traffic side) of the railing (1'-0" embedment) and 18,500 lbs for Dowel Bars 6D along the outside face of the traffic railing (5" min. embedment).

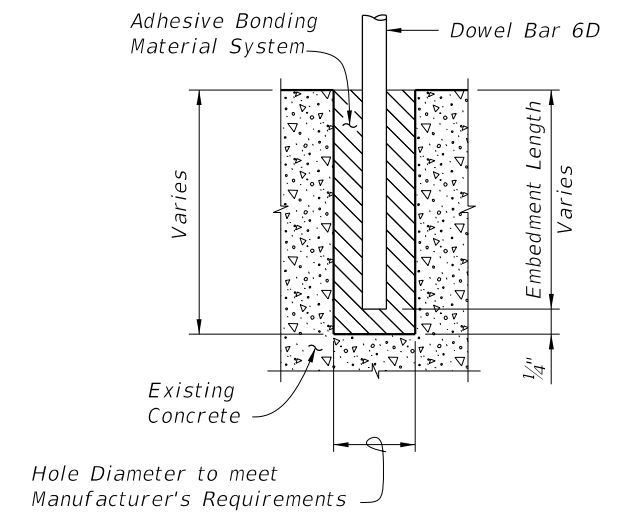
BRIDGES ON CURVED ALIGNMENTS: The details presented in this Standard are shown for bridges on tangent alignments. Details for bridges on horizontally curved alignments are similar.

BARRIER DELINEATORS: Barrier Delineators shall meet Specification Section 993. Install Barrier Delineators on top of the Traffic Railing along the entire length of the bridge 2" from the face on the traffic side in accordance with Specification Section 705. Barrier Delineator color (white or yellow) shall match the color of the near edgeline.

GUARDRAIL: See Index 536-001 for guardrail component details, geometric layouts and associated notes not fully detailed herein.

BRIDGE NAME PLATE: If a portion of the existing Traffic Railing is to be removed that carries the bridge name, number and or date, or if the installation of the Traffic Railing (Thrie Beam Retrofit) will obscure the bridge name, number and or date, then replace the information that has been removed or obscured, with 3" tall black lettering on white nonreflective sheeting applied to the top of the adjacent guardrail. The information must be clearly visible from the right side of the approaching travel lane. The sheeting and adhesive backing shall comply with Specification Section 994 and may comprise individual decals of letters and numbers.

PAYMENT: Concrete Traffic Railing-Bridge Retrofit - Post & Beam Railing (EA) includes all material and labor required to demolish a portion of the existing structure where required and to construct the concrete portion of the retrofit railing. Guardrail Approach Transition to rigid Barriers (EA) includes transition block, and necessary hardware to complete the Guardrail transitions shown.

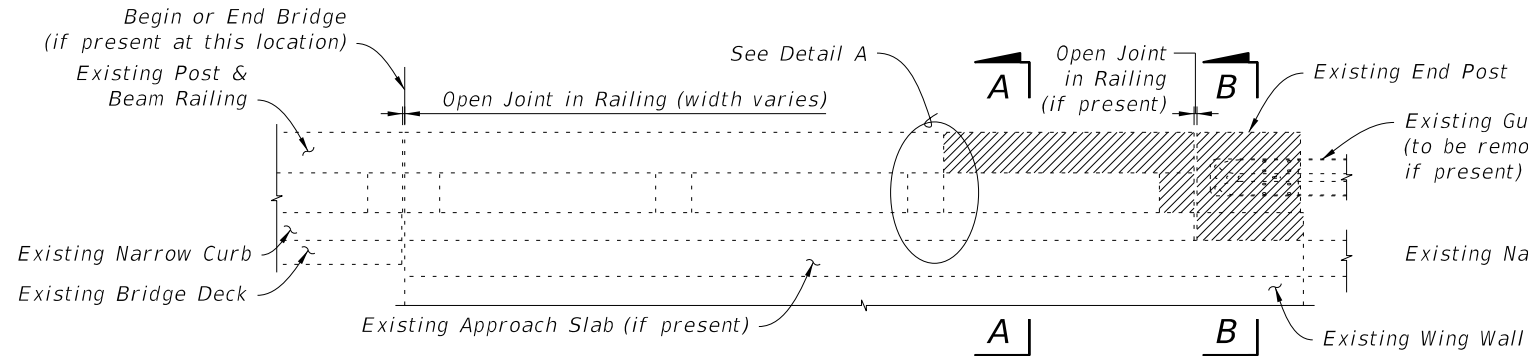


DOWEL DETAIL

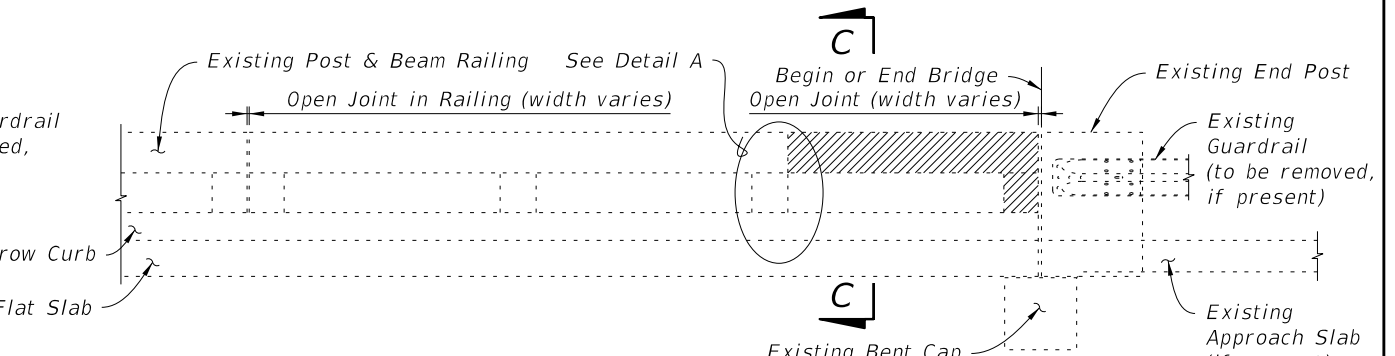
Note:
Shift dowel holes to clear if the existing reinforcement is encountered.

10/8/2020 9:23:27 AM

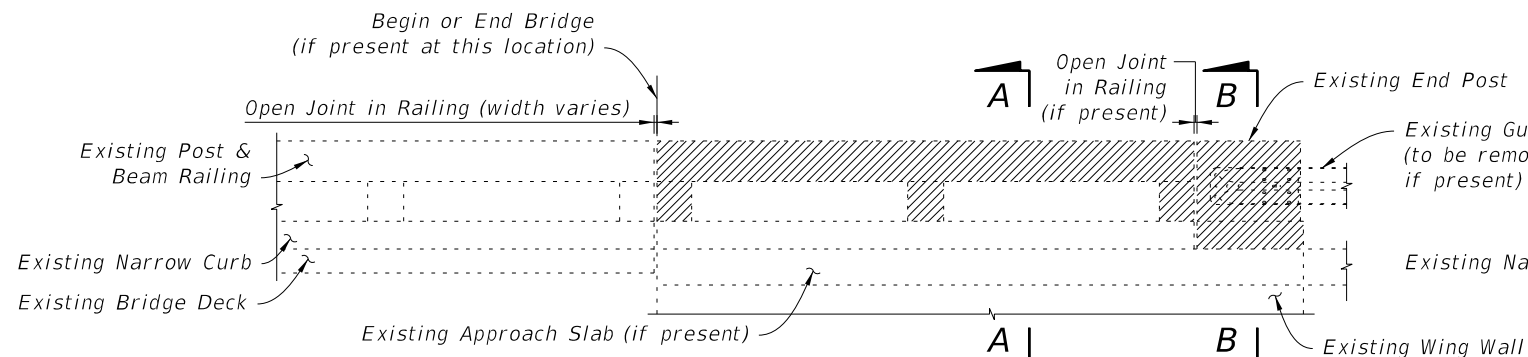
LAST REVISION 11/01/19	REVISION	DESCRIPTION:	 FY 2021-22 STANDARD PLANS	GUARDRAIL TRANSITIONS-EXISTING POST & BEAM BRIDGE RAILINGS (NARROW & RECESSED CURBS)	INDEX 521-404	SHEET 1 of 8
---------------------------	----------	--------------	---	---	------------------	-----------------



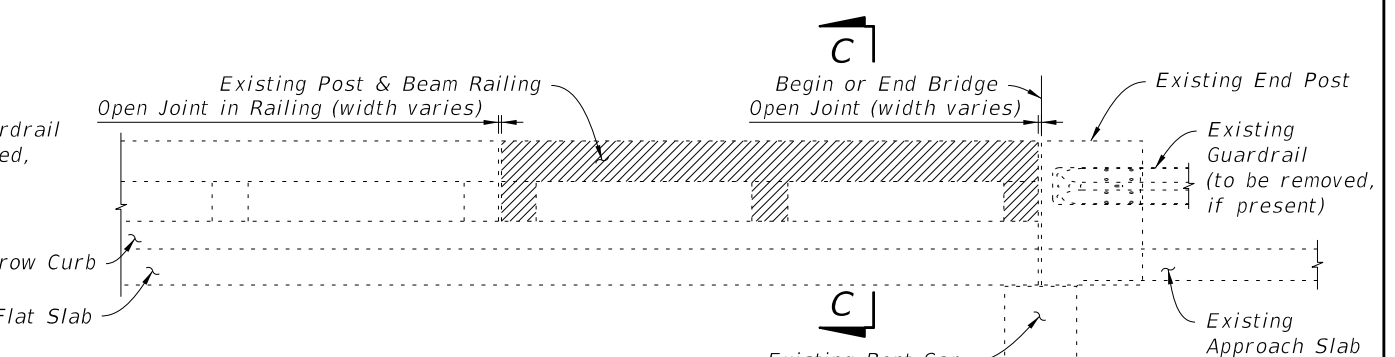
3 OR MORE CONTINUOUS RAILING PANELS ON WINGWALL ADJACENT TO END POST



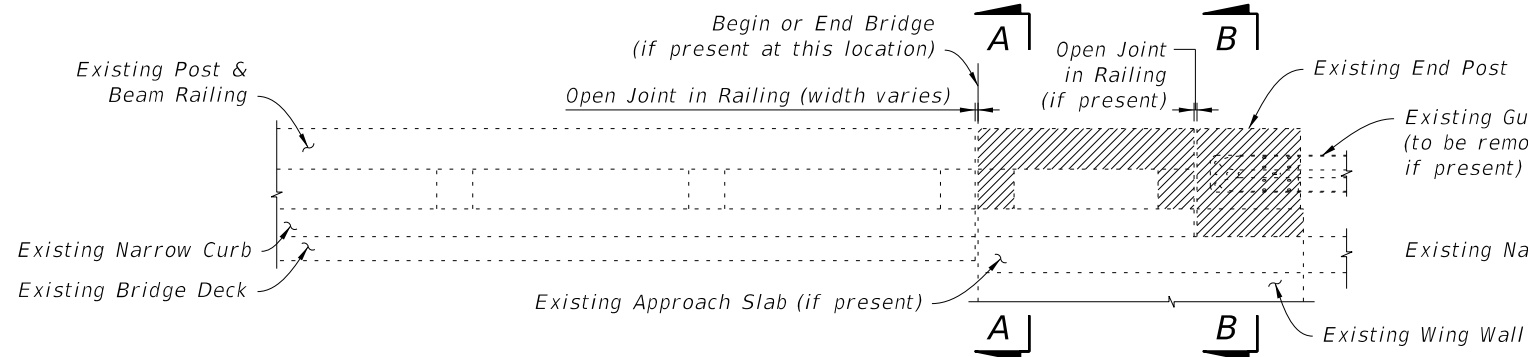
3 OR MORE CONTINUOUS RAILING PANELS ADJACENT TO BEGIN OR END BRIDGE



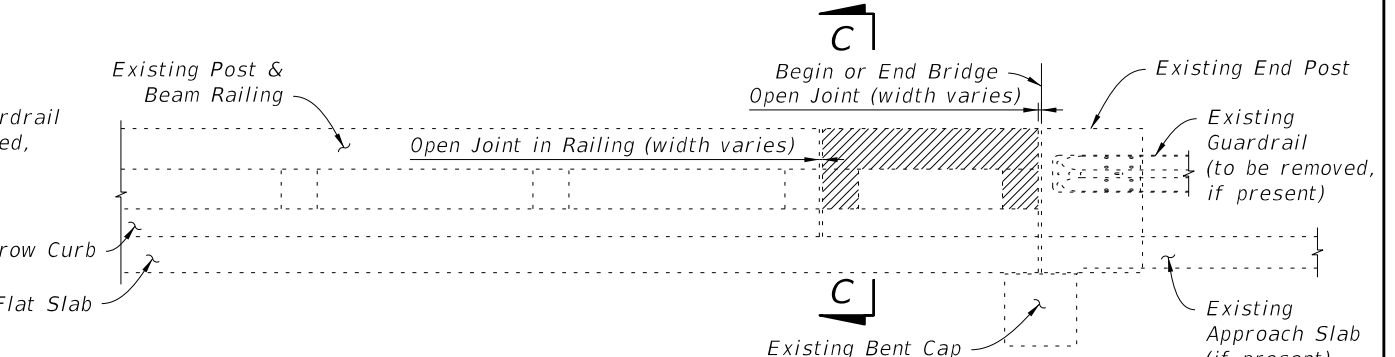
2 CONTINUOUS RAILING PANELS ON WINGWALL ADJACENT TO END POST



2 CONTINUOUS RAILING PANELS ADJACENT TO BEGIN OR END BRIDGE



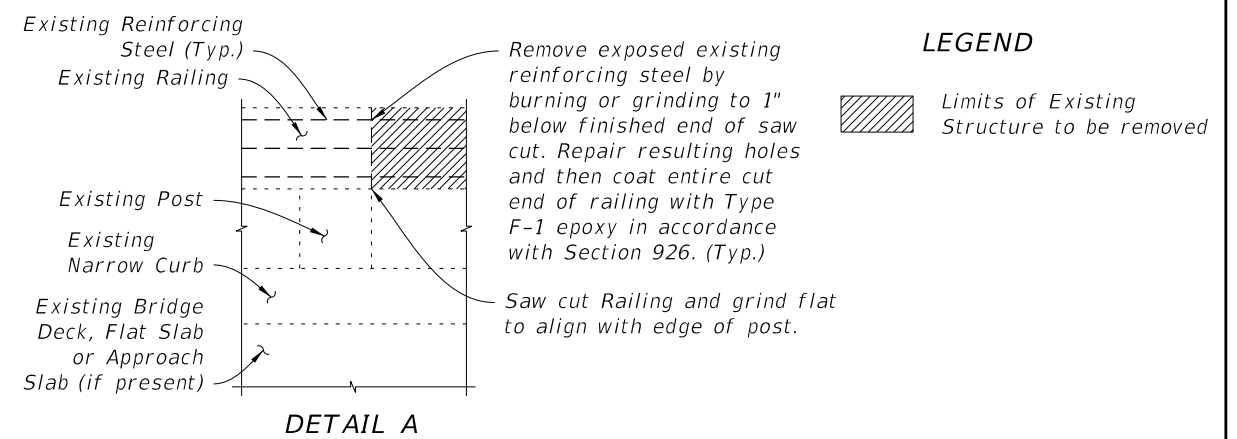
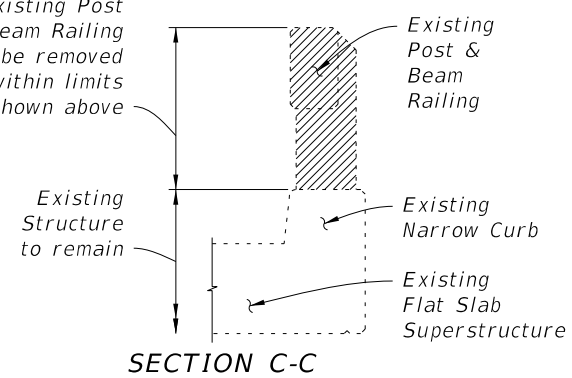
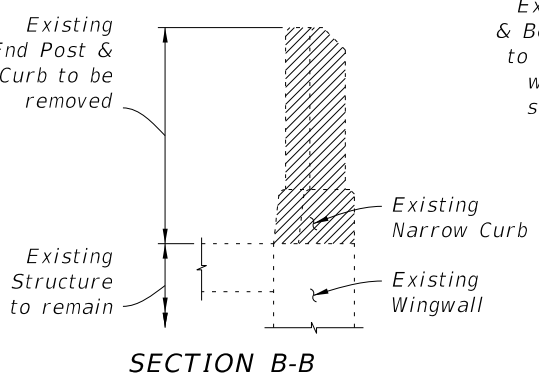
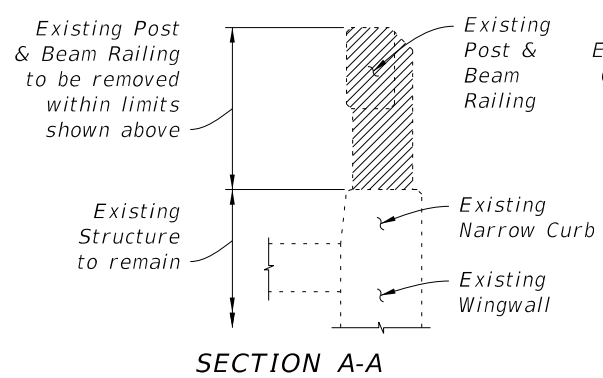
1 RAILING PANEL ON WINGWALL ADJACENT TO END POST



1 RAILING PANEL ADJACENT TO BEGIN OR END BRIDGE

SCHEME 1 - APPROACH ENDS OF BRIDGES WITH BEAM OR GIRDER SUPERSTRUCTURE

SCHEME 2 - APPROACH ENDS OF BRIDGES WITH FLAT SLAB SUPERSTRUCTURE & PARALLEL WINGWALLS (SHOWN) OR BEAM OR GIRDER SUPERSTRUCTURE & PARALLEL OR CURVED WINGWALLS (SIMILAR)

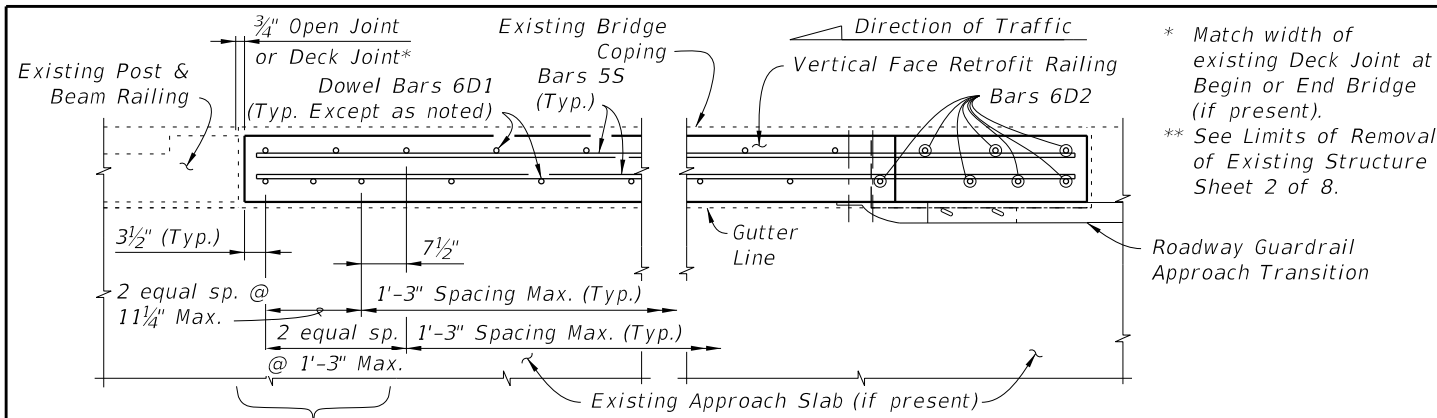


LEGEND
 Limits of Existing Structure to be removed

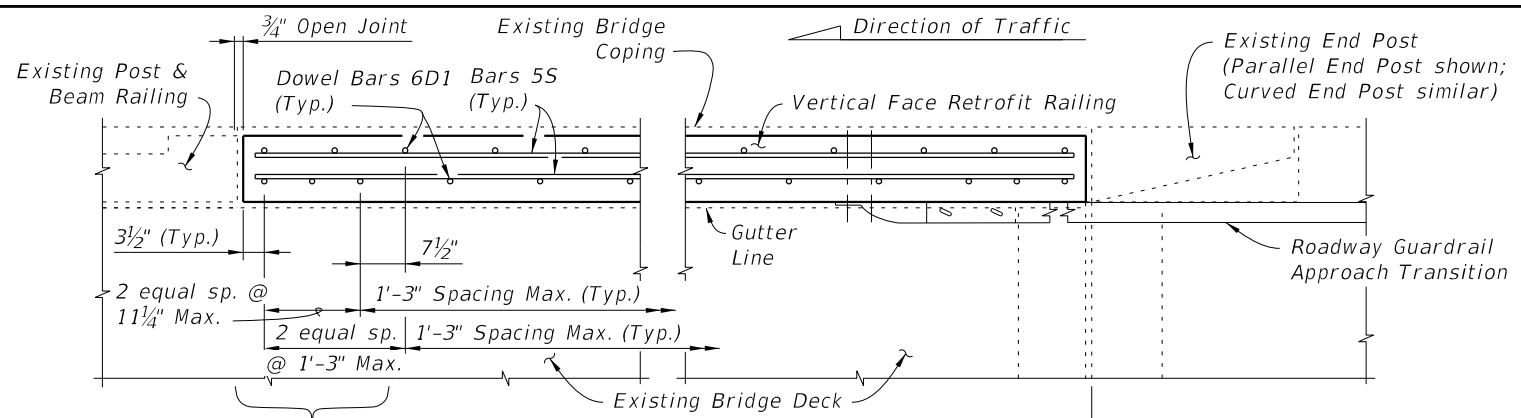
LIMITS OF REMOVAL OF EXISTING STRUCTURE - POST & BEAM RAILING WITH NARROW CURB

10/8/2020 9:23:29 AM

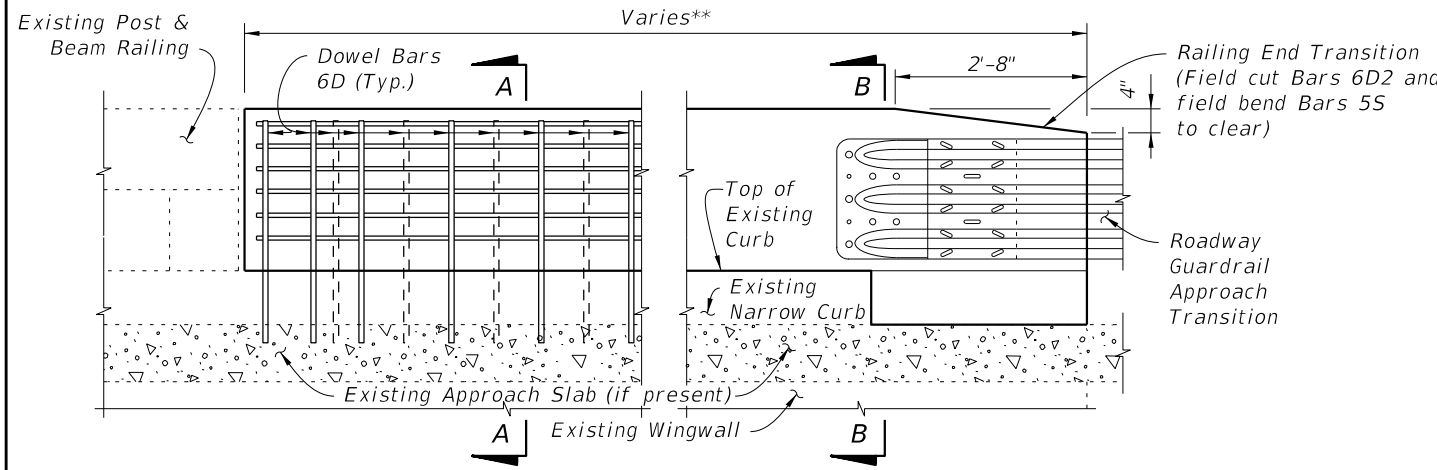
LAST REVISION 07/01/13	DESCRIPTION:
---------------------------	--------------



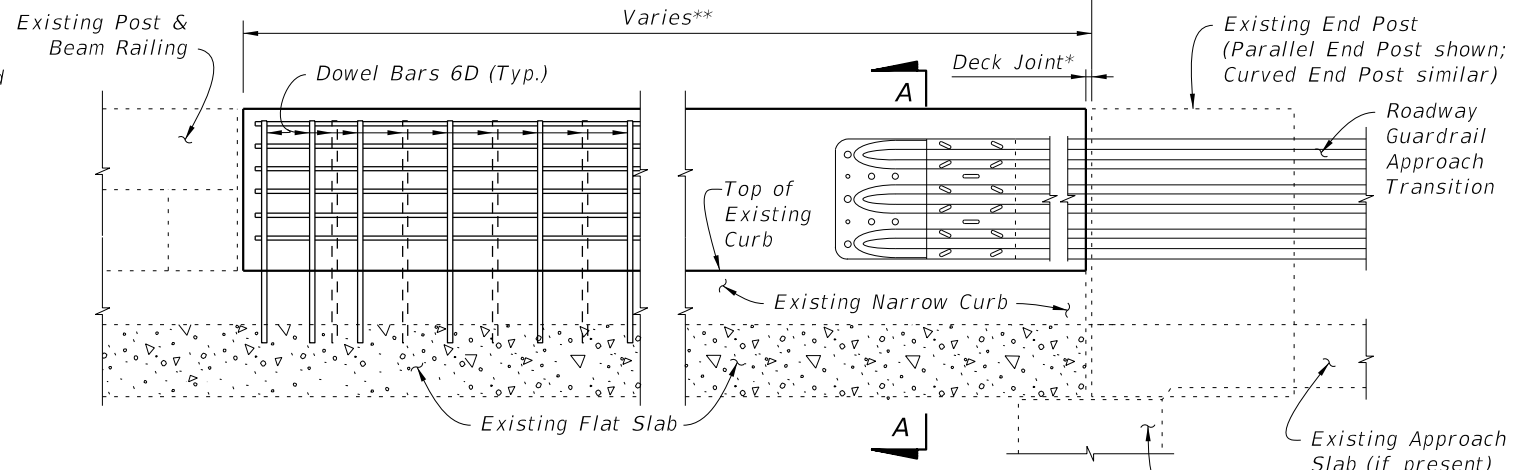
PARTIAL PLAN OF RAILING



PARTIAL PLAN OF RAILING



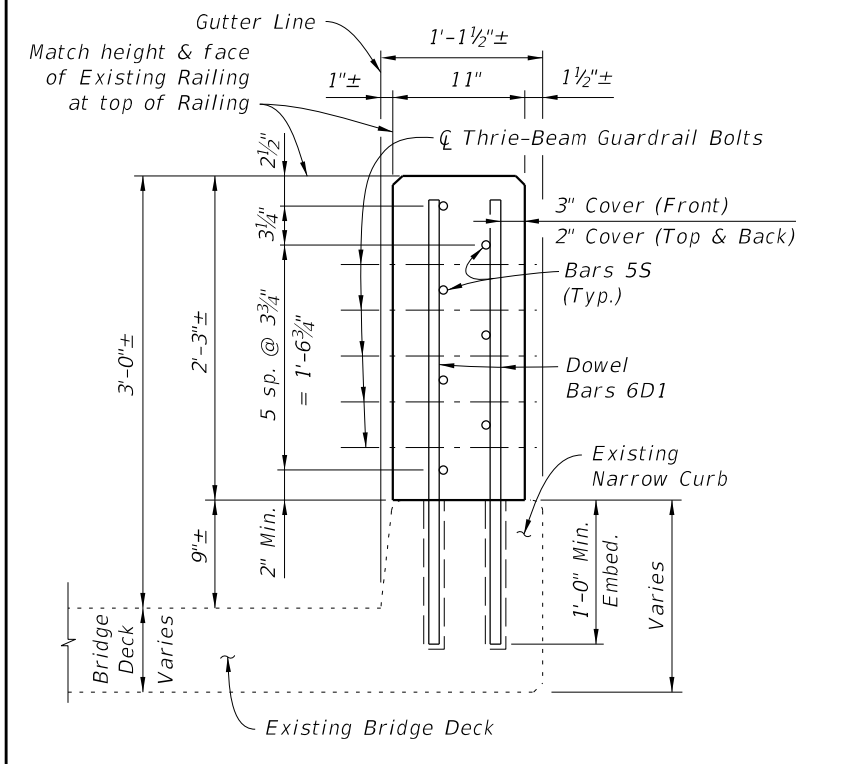
PARTIAL ELEVATION OF INSIDE FACE OF RAILING



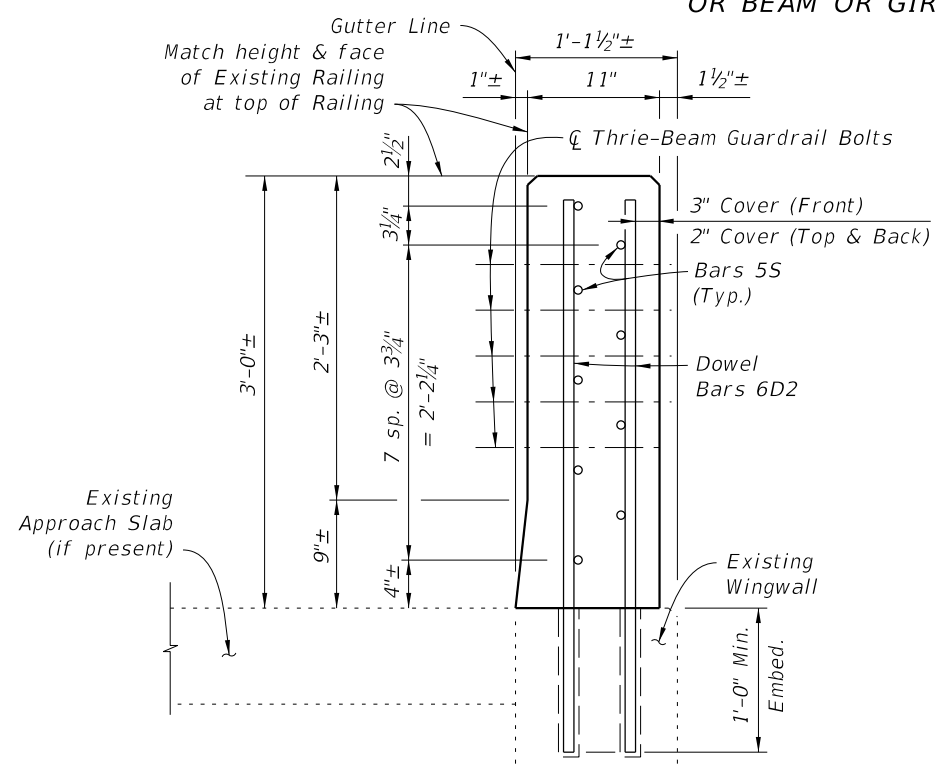
PARTIAL ELEVATION OF INSIDE FACE OF RAILING

SCHEME 1 - APPROACH ENDS OF BRIDGES WITH BEAM OR GIRDER SUPERSTRUCTURE

SCHEME 2 - APPROACH ENDS OF BRIDGES WITH FLAT SLAB SUPERSTRUCTURE & PARALLEL WINGWALLS (SHOWN) OR BEAM OR GIRDER SUPERSTRUCTURE & PARALLEL OR CURVED WINGWALLS (SIMILAR)



SECTION A-A



SECTION B-B

VERTICAL FACE RETROFIT RAILING DETAILS - POST & BEAM RAILING WITH NARROW CURB

ESTIMATED TRAFFIC RAILING QUANTITIES		
ITEM	UNIT	QUANTITY
Concrete	CY/FT	0.076
Reinforcing Steel	LB/FT	14.71

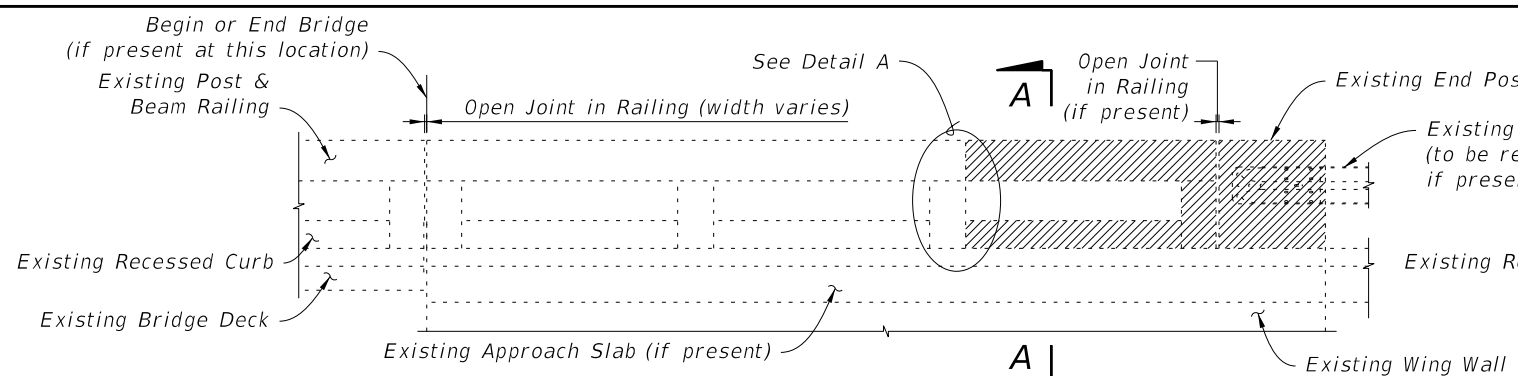
CONVENTIONAL REINFORCING STEEL BENDING DIAGRAM			
BILL OF REINFORCING STEEL			
MARK	SIZE	LENGTH	
D1	6	3'-1"	3'-1" Bars 6D1
D2	6	3'-10"	3'-10" Bars 6D2
S	5	AS REQD.	Length as Required Bars 5S

BARS 6D & 5S

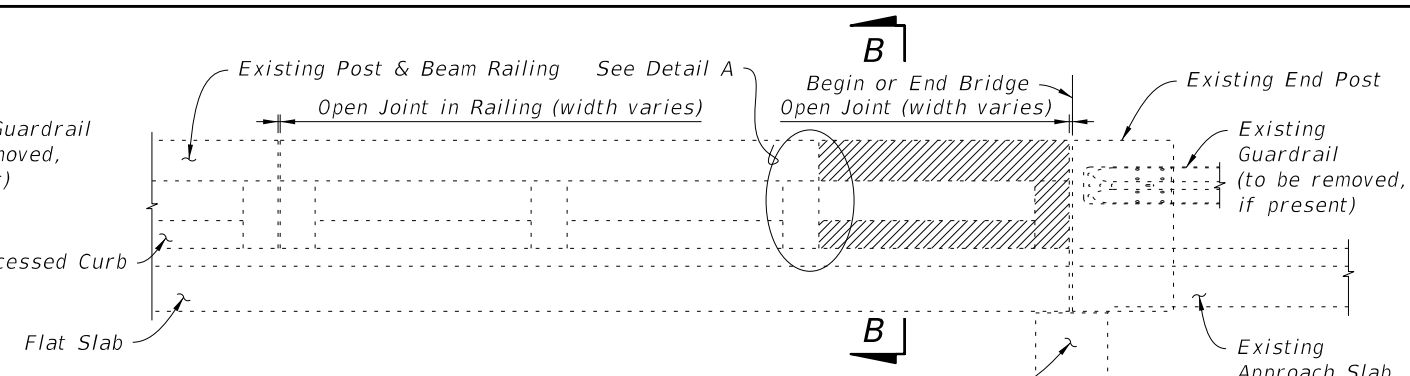
- REINFORCING STEEL NOTES:**
1. All bar dimensions in the bending diagrams are out to out.
 2. The reinforcement for the railing on a retaining wall shall be the same as detailed for a bridge deck.
 3. All reinforcing steel in the Vertical Face Retrofit Railing shall have a 2" minimum cover.

10/01/2020 9:23:31 AM

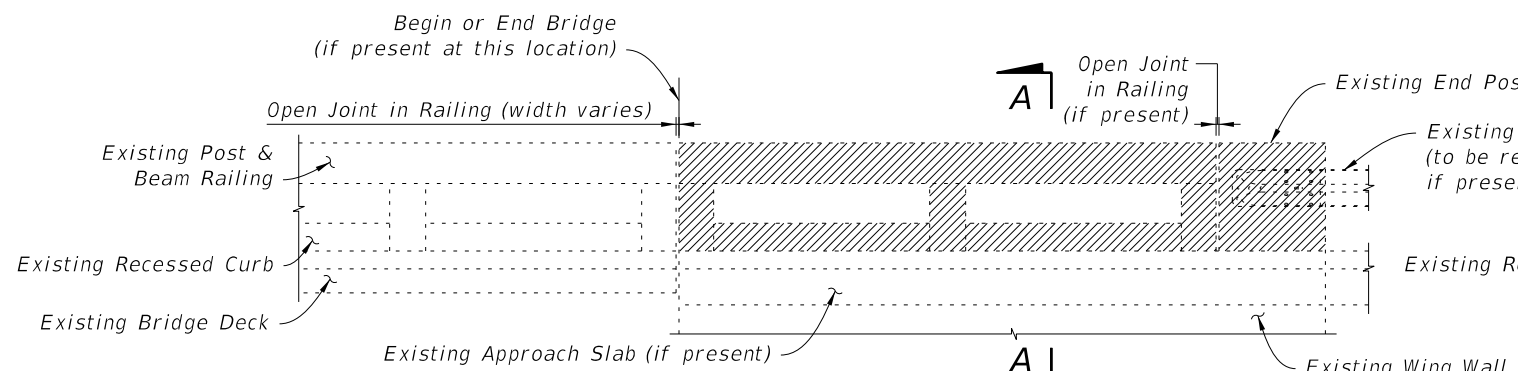
LAST REVISION	DESCRIPTION:
07/01/13	



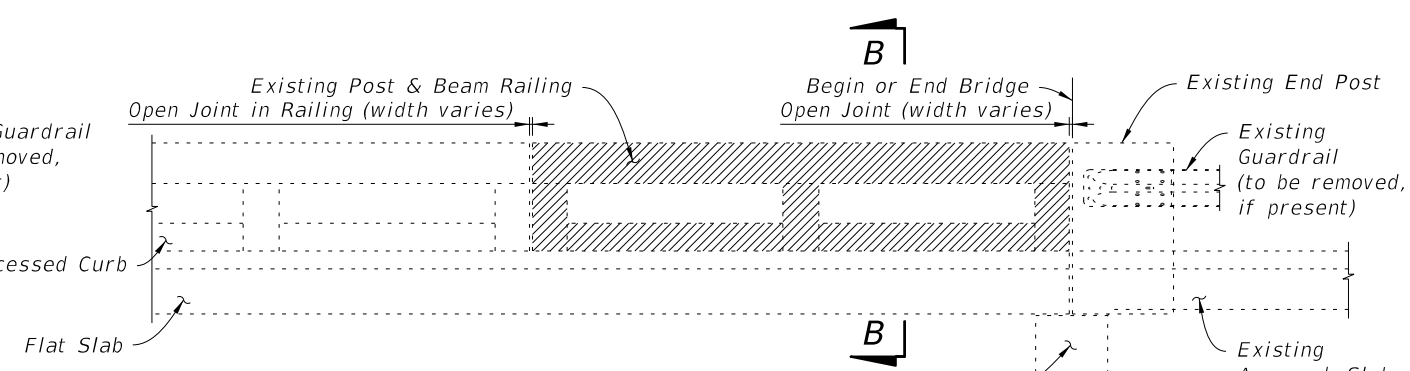
3 OR MORE CONTINUOUS RAILING PANELS ON WINGWALL ADJACENT TO END POST



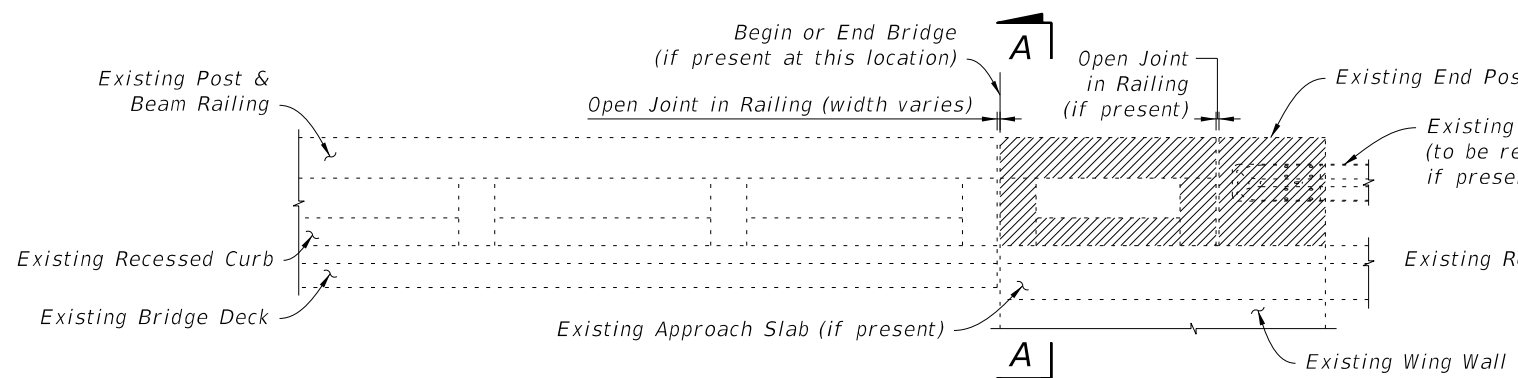
3 OR MORE CONTINUOUS RAILING PANELS ADJACENT TO BEGIN OR END BRIDGE



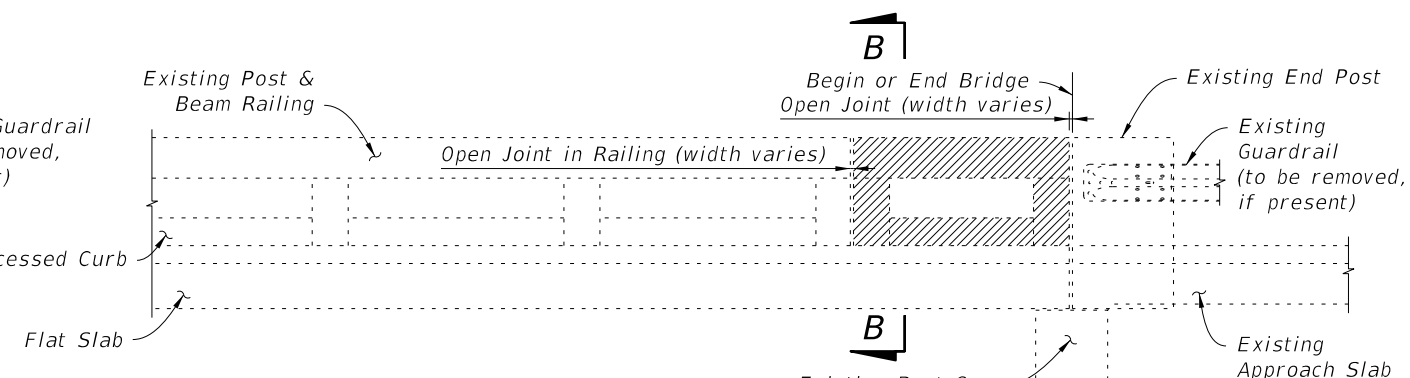
2 CONTINUOUS RAILING PANELS ON WINGWALL ADJACENT TO END POST



2 CONTINUOUS RAILING PANELS ADJACENT TO BEGIN OR END BRIDGE



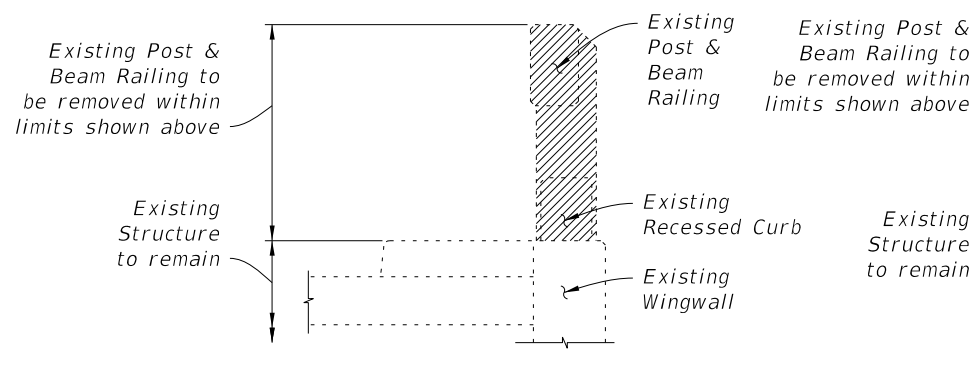
1 RAILING PANEL ON WINGWALL ADJACENT TO END POST



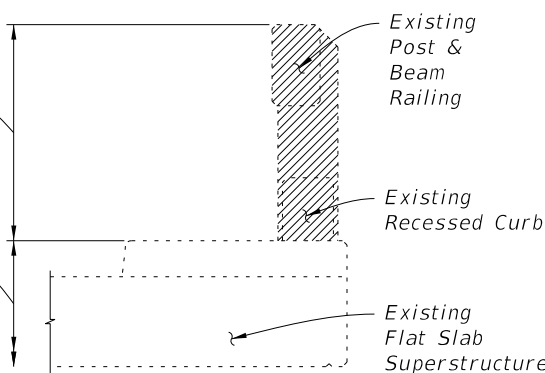
1 RAILING PANEL ADJACENT TO BEGIN OR END BRIDGE

SCHEME 3 - APPROACH ENDS OF BRIDGES WITH BEAM OR GIRDER SUPERSTRUCTURE

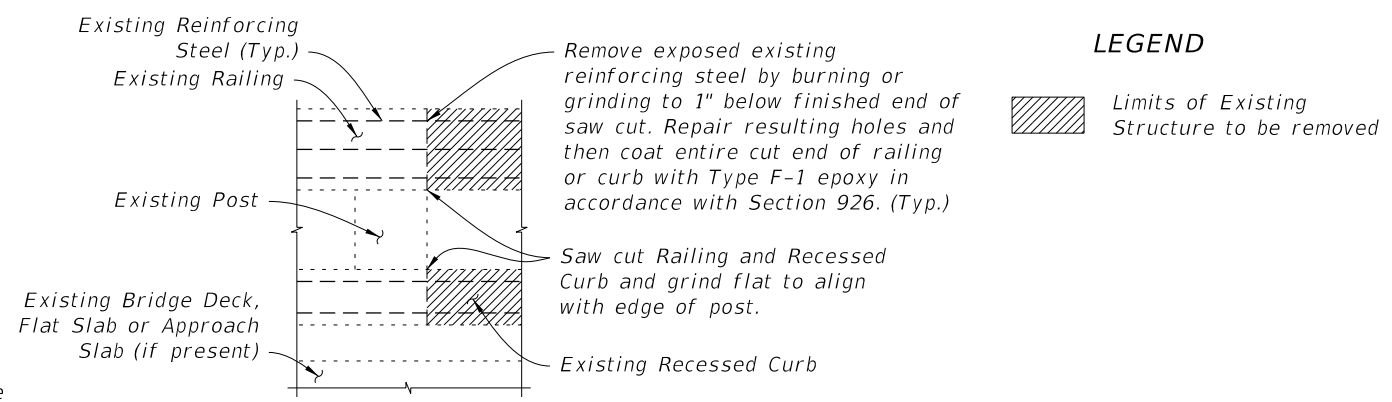
SCHEME 4 - APPROACH ENDS OF BRIDGES WITH FLAT SLAB SUPERSTRUCTURE & PARALLEL WINGWALLS (SHOWN) OR BEAM OR GIRDER SUPERSTRUCTURE & PARALLEL OR CURVED WINGWALLS (SIMILAR)



SECTION A-A



SECTION B-B



DETAIL A

LIMITS OF REMOVAL OF EXISTING STRUCTURE - POST & BEAM RAILING WITH RECESSED CURB

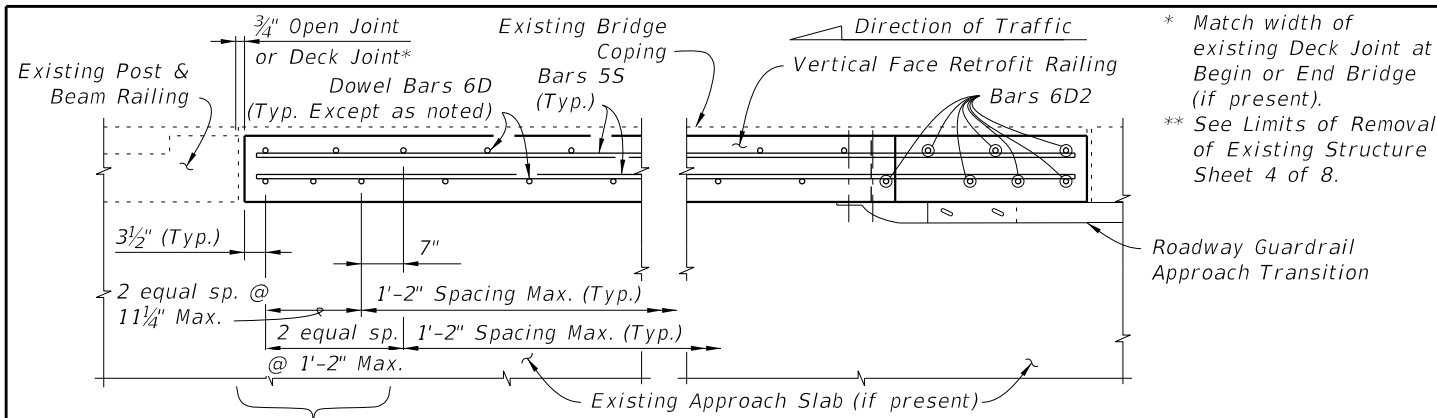
10/8/2020 9:23:33 AM

LAST REVISION	DESCRIPTION:
07/01/13	

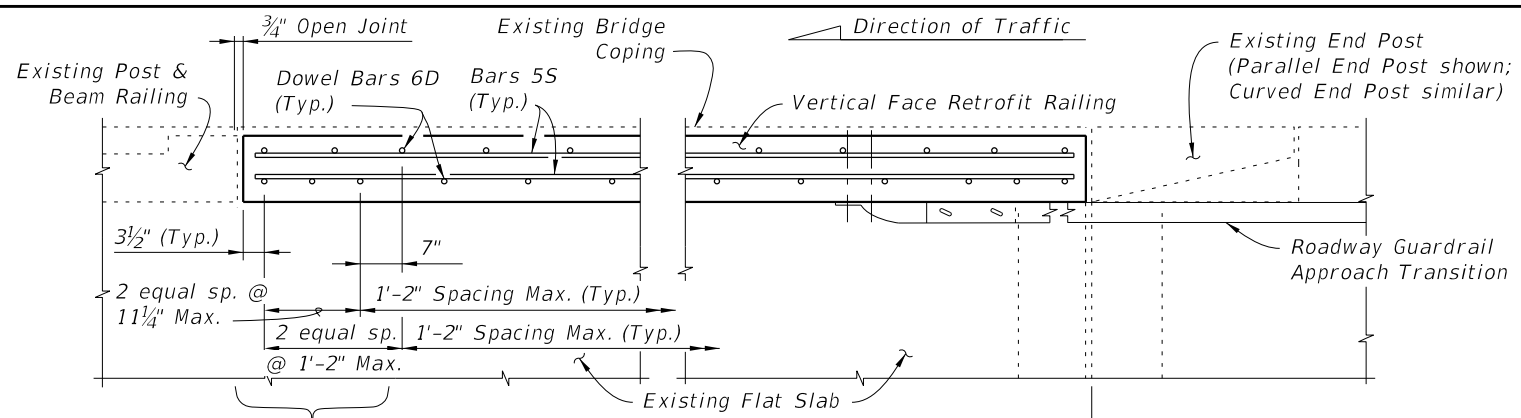

**FY 2021-22
STANDARD PLANS**

**GUARDRAIL TRANSITIONS-EXISTING POST & BEAM
BRIDGE RAILINGS (NARROW & RECESSED CURBS)**

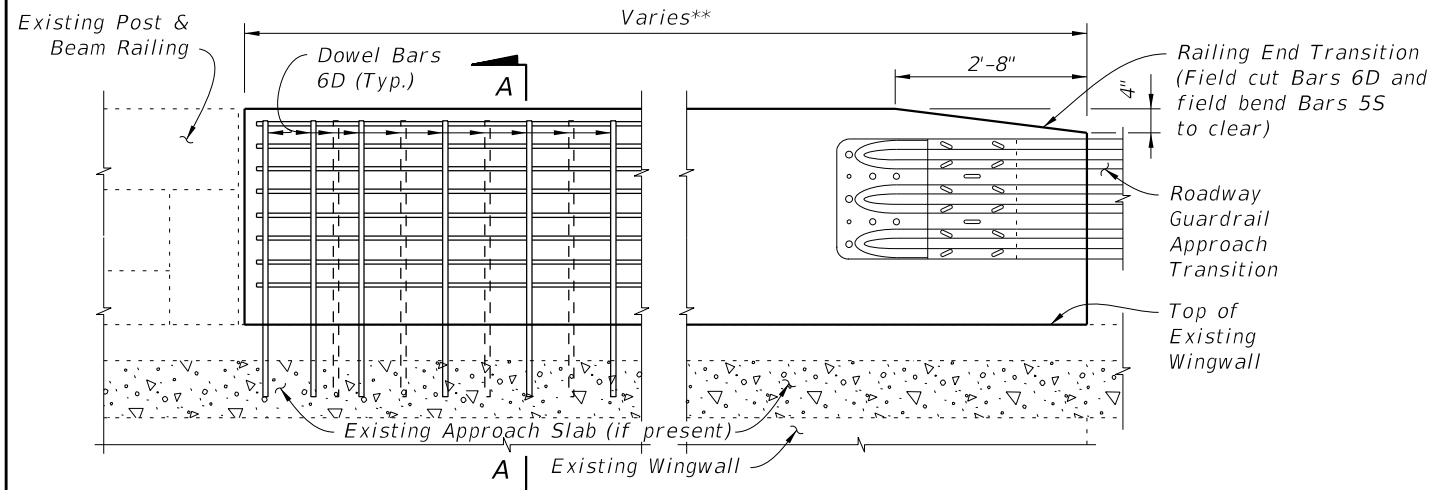
INDEX	SHEET
521-404	4 of 8



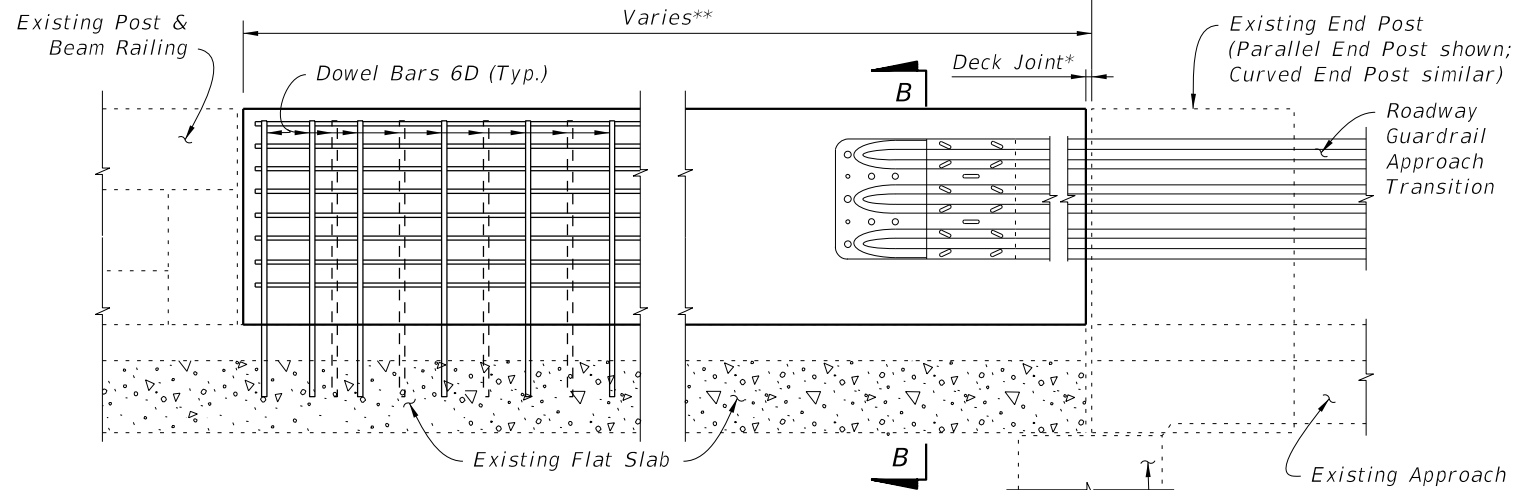
PARTIAL PLAN OF RAILING



PARTIAL PLAN OF RAILING



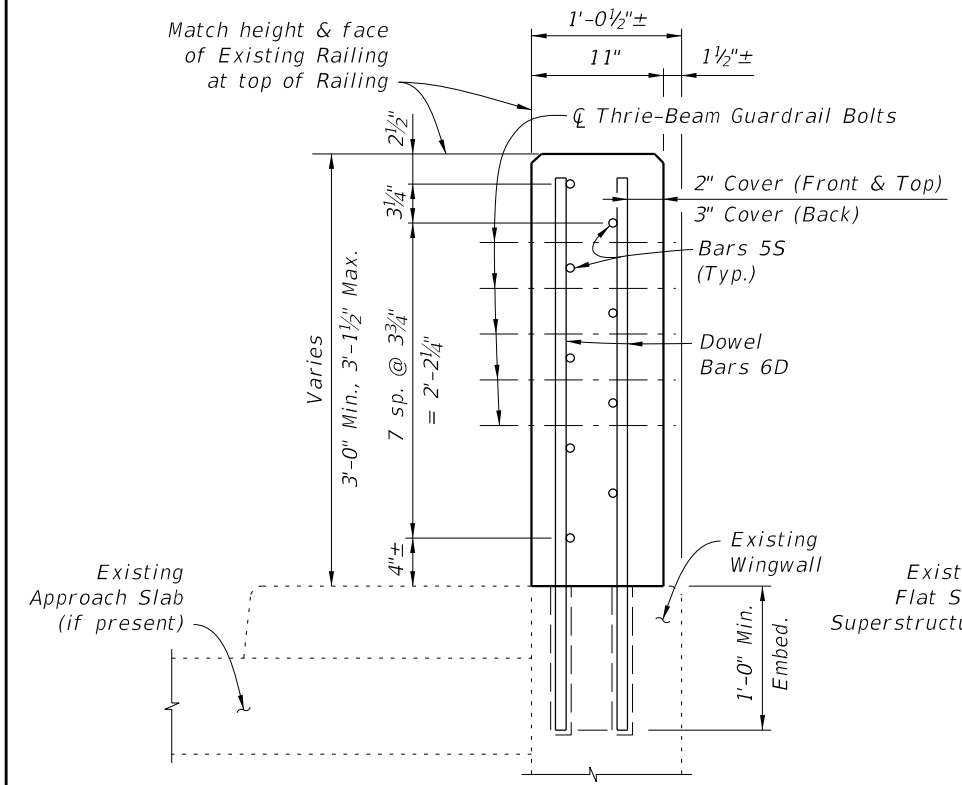
PARTIAL ELEVATION OF INSIDE FACE OF RAILING



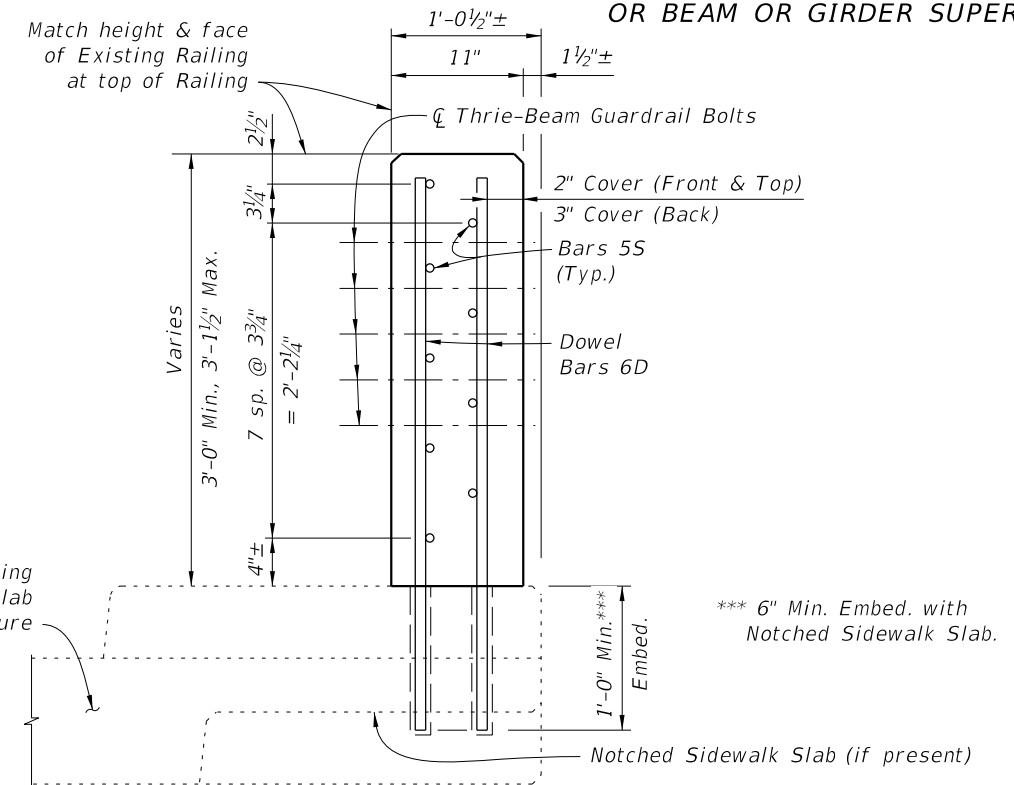
PARTIAL ELEVATION OF INSIDE FACE OF RAILING

SCHEME 4 - APPROACH ENDS OF BRIDGES WITH FLAT SLAB SUPERSTRUCTURE & PARALLEL WINGWALLS (SHOWN) OR BEAM OR GIRDER SUPERSTRUCTURE & PARALLEL OR CURVED WINGWALLS (SIMILAR)

SCHEME 3 - APPROACH ENDS OF BRIDGES WITH BEAM OR GIRDER SUPERSTRUCTURE



SECTION A-A



SECTION B-B

VERTICAL FACE RETROFIT RAILING DETAILS - POST & BEAM RAILING WITH RECESSED CURB

ESTIMATED TRAFFIC RAILING QUANTITIES		
ITEM	UNIT	QUANTITY
Concrete	CY/FT	0.102
Reinforcing Steel	LB/FT	17.97

CONVENTIONAL REINFORCING STEEL BENDING DIAGRAM			
BILL OF REINFORCING STEEL			
MARK	SIZE	LENGTH	
D	6	3'-4"	BARS 6D & 5S
S	5	AS REQD.	

- REINFORCING STEEL NOTES:**
1. All bar dimensions in the bending diagrams are out to out.
 2. The reinforcement for the railing on a retaining wall shall be the same as detailed for a bridge deck.
 3. All reinforcing steel in the Vertical Face Retrofit Railing shall have a 2" minimum cover.

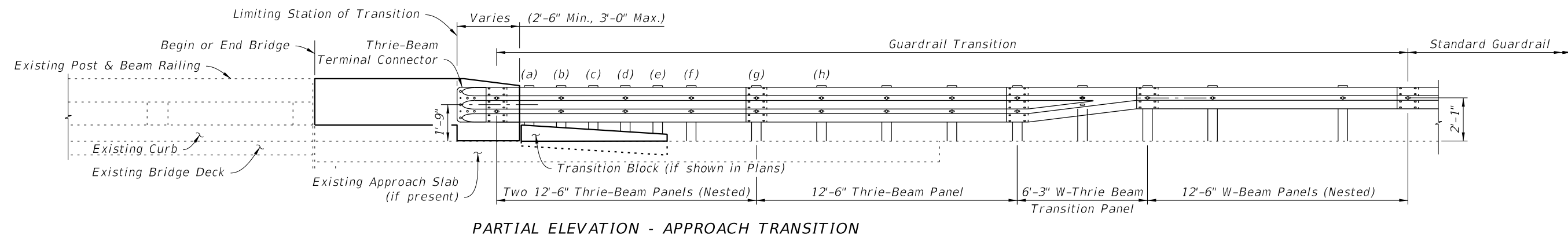
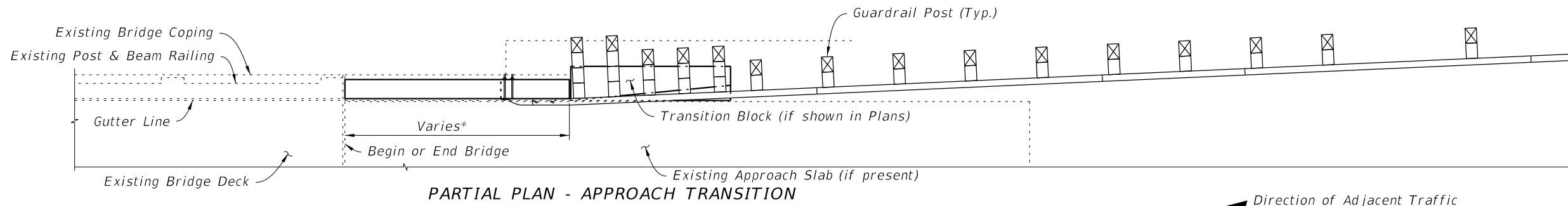
10/8/2020 9:23:35 AM

LAST REVISION	DESCRIPTION:
07/01/13	

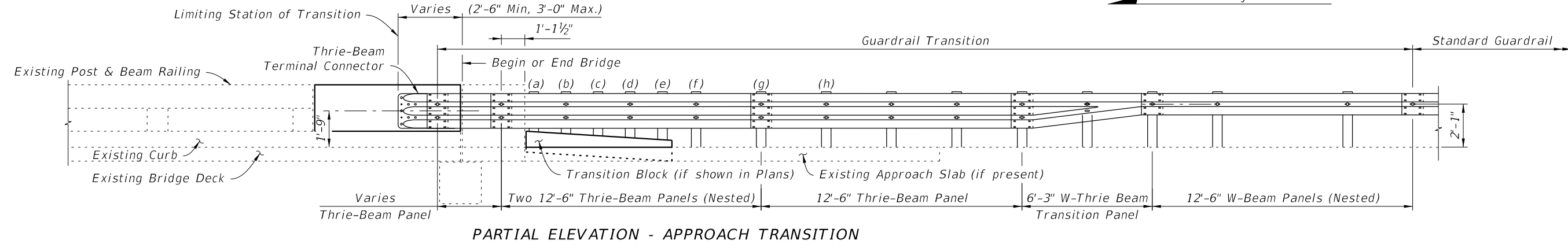
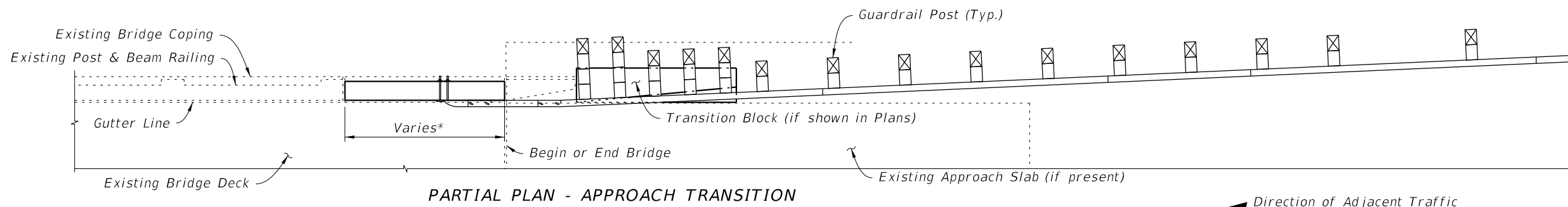
FDOT FY 2021-22 STANDARD PLANS

GUARDRAIL TRANSITIONS-EXISTING POST & BEAM BRIDGE RAILINGS (NARROW & RECESSED CURBS)

INDEX	SHEET
521-404	5 of 8



SCHMES 1 & 3
(Narrow Curb Shown, Recessed Curb Similar)

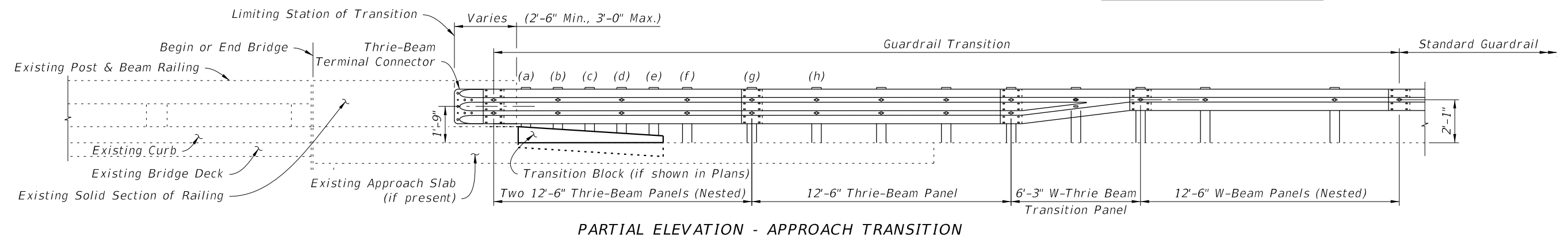
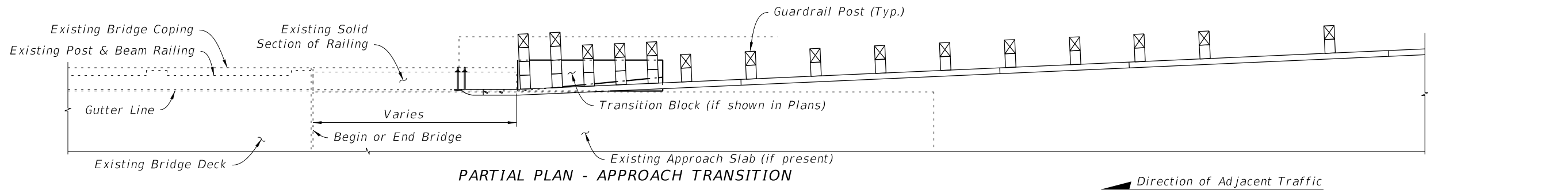


SCHMES 2 & 4
(Narrow Curb Shown, Recessed Curb Similar, Flat Slab Superstructure Shown, Beam or Girder Superstructure Similar)

* See Limits of Removal of Existing Structure, Sheets 2 of 8 and 4 of 8.

10/8/2020 9:23:37 AM

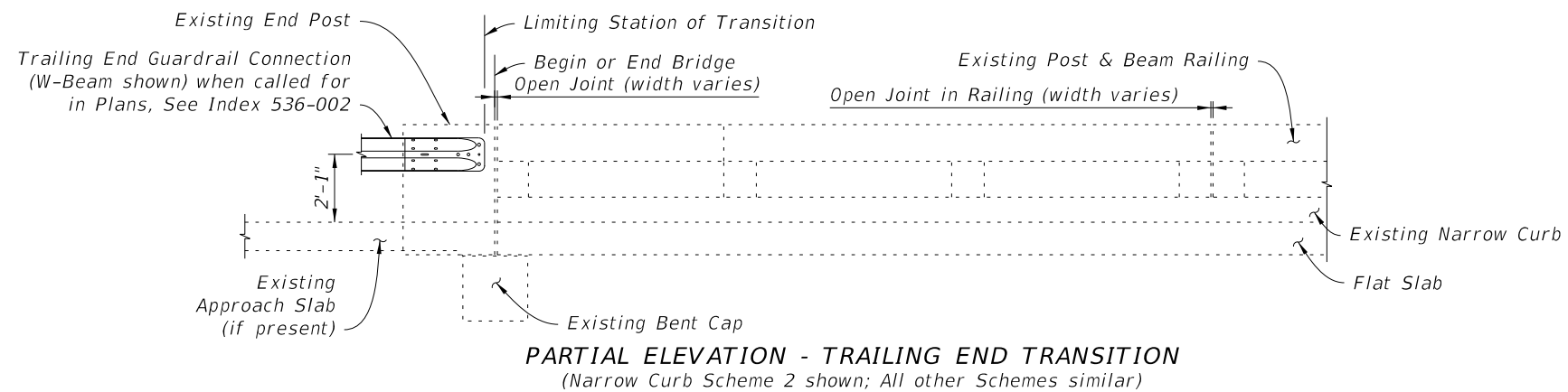
LAST REVISION 07/01/14	REVISION	DESCRIPTION:	 FY 2021-22 STANDARD PLANS	GUARDRAIL TRANSITIONS-EXISTING POST & BEAM BRIDGE RAILINGS (NARROW & RECESSED CURBS)	INDEX 521-404	SHEET 6 of 8
---------------------------	----------	--------------	--	---	------------------	-----------------



PARTIAL ELEVATION - APPROACH TRANSITION

SCHEME 5

(Narrow Curb shown; Recessed Curb similar)



PARTIAL ELEVATION - TRAILING END TRANSITION

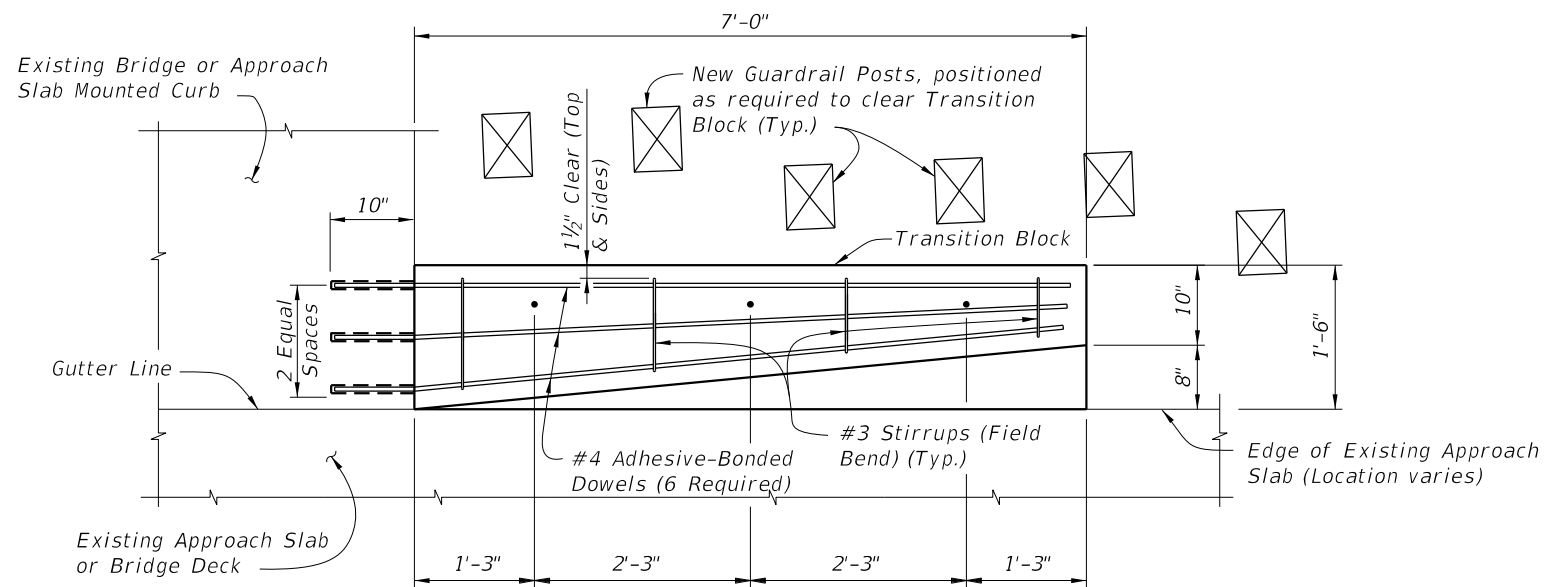
(Narrow Curb Scheme 2 shown; All other Schemes similar)

SCHEME 6

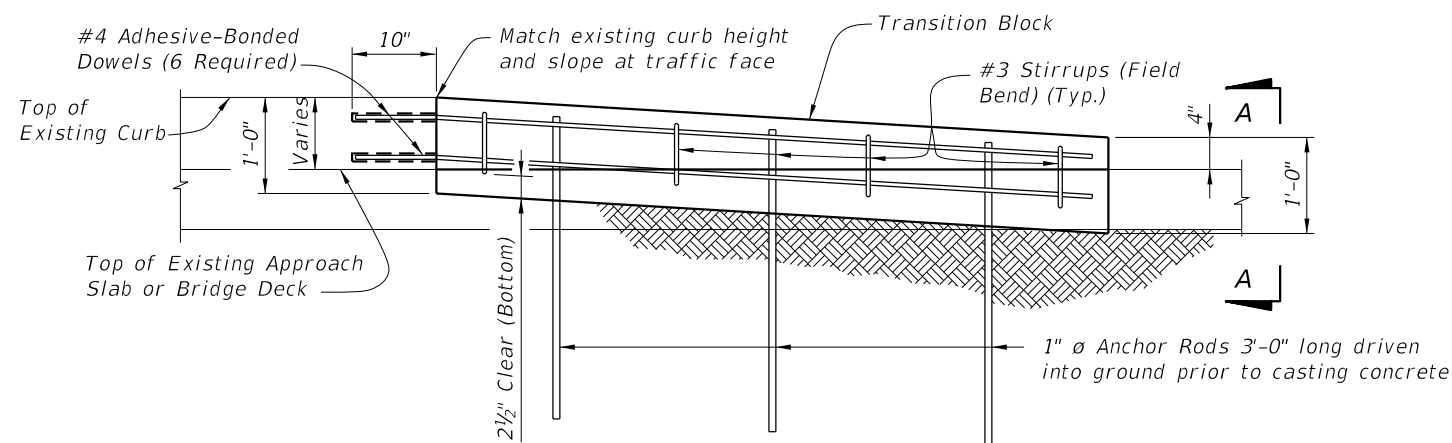
10/8/2020 9:23:39 AM

LAST REVISION 07/01/14	REVISION	DESCRIPTION:
---------------------------	----------	--------------

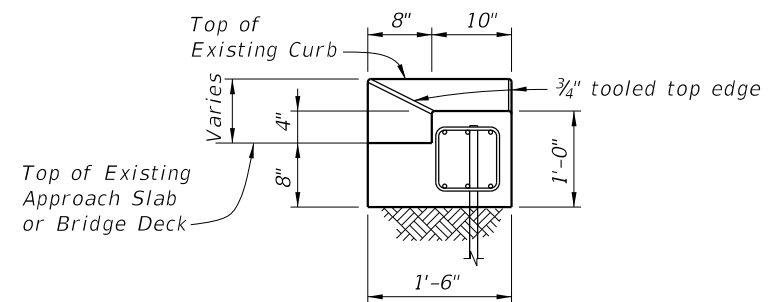




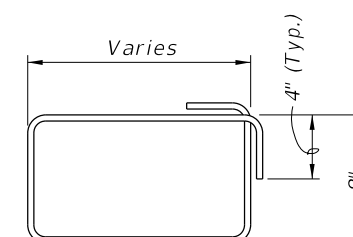
PLAN VIEW OF TRANSITION BLOCK
(GUARDRAIL NOT SHOWN FOR CLARITY)



ELEVATION OF TRANSITION BLOCK
(GUARDRAIL AND POSTS NOT SHOWN FOR CLARITY)



END VIEW A-A



#3 STIRRUP (FIELD BEND)

NOTES:

ANCHOR RODS: Steel Anchor Rods shall be ASTM A36, ASTM A709 Grade 36 or ASTM A615 Grade 60 hot-dip galvanized in accordance with Specification Section 962.

ADHESIVE-BONDED DOWELS: Adhesive Bonded Dowels are shown installed in an existing curb or sidewalk integrally reinforced with Approach Slab, Wingwall or Bridge Deck. For installations in existing detached curbs or sidewalks, install dowels in available sound concrete.

Shift bars (as needed) to install six dowels into existing bridge or approach slab mounted curb.

ESTIMATED QUANTITIES PER TRANSITION BLOCK		
ITEM	UNIT	QUANTITY
Concrete Class II (Bridge Deck)	CY	0.4
Reinforcing Steel	LB	61

10/8/2020 9:23:41 AM

LAST REVISION 07/01/13	DESCRIPTION:
---------------------------	--------------



FY 2021-22
STANDARD PLANS

GUARDRAIL TRANSITIONS-EXISTING POST & BEAM
BRIDGE RAILINGS (NARROW & RECESSED CURBS)

INDEX
521-404

SHEET
8 of 8

GENERAL NOTES

CONCRETE: Concrete for the Traffic Railing (Vertical Face Retrofit) and replacement curb sections shall be Class IV. Concrete for Curb Transition Blocks shall be Class II (Bridge Deck).

REINFORCING STEEL: Reinforcing steel shall be ASTM A615, Grade 60, except Expansion Dowel Bar B which shall be ASTM A36 smooth round bar hot-dip galvanized in accordance with the Specifications.

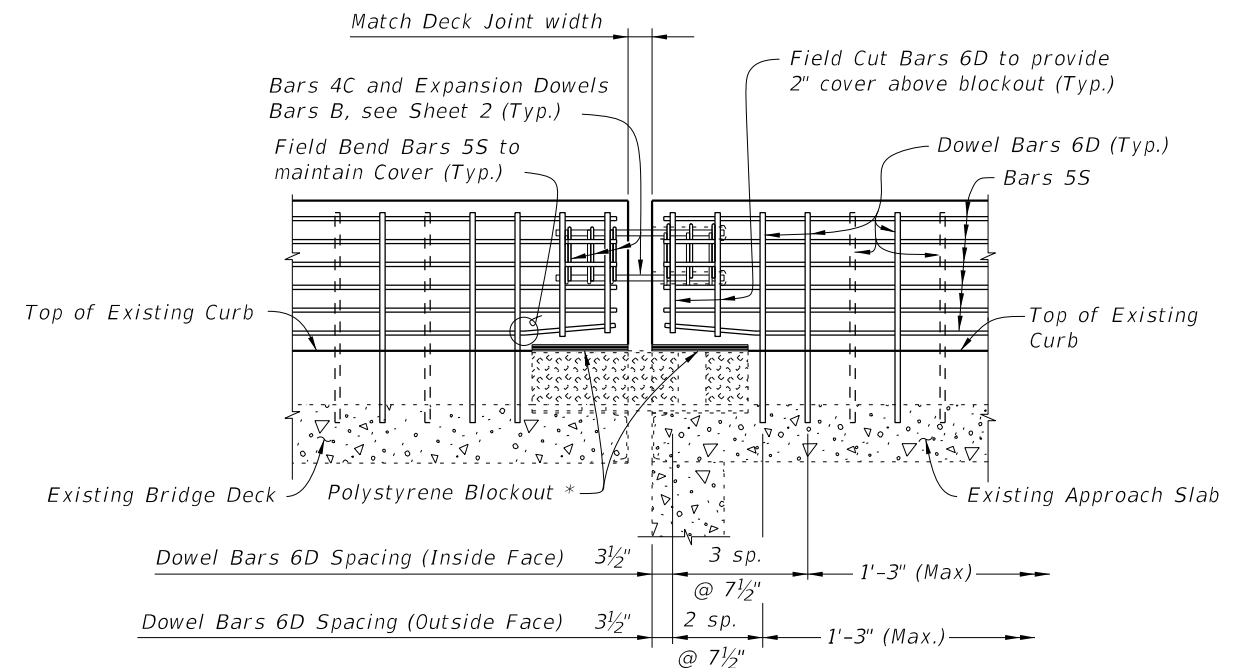
EXPANSION SLEEVE ASSEMBLY: Pipe sleeve shall be ASTM D2241 PVC pipe, SDR13.5. End Cap shall be ASTM D2466 PVC socket fitting, Schedule 40. End of Sleeve assembly at railing open joint shall be sealed with silicone to prevent concrete intrusion during railing casting. A compressible expanded polystyrene plug is required in the opposite end of the assembly for correct dowel positioning during railing casting. Correct dowel positioning is required in order to provide for thermal movement of the deck.

ADHESIVE-BONDED ANCHORS AND DOWELS: Adhesive Bonding Material Systems for Anchors and Dowels shall comply with Specification Section 937 and be installed in accordance with Specification Section 416. The field testing proof loads required by Specification Section 416 shall be 23,800 lbs. for Dowel Bars 6D on the inside face (traffic side) of the railing (1'-0" embedment) and 18,500 lbs for Dowel Bars 6D along the outside face of the traffic railing (5" min. embedment).

BRIDGES ON CURVED ALIGNMENTS: The details presented in these Standards are shown for bridges on tangent alignments. Details for bridges on horizontally curved alignments are similar.

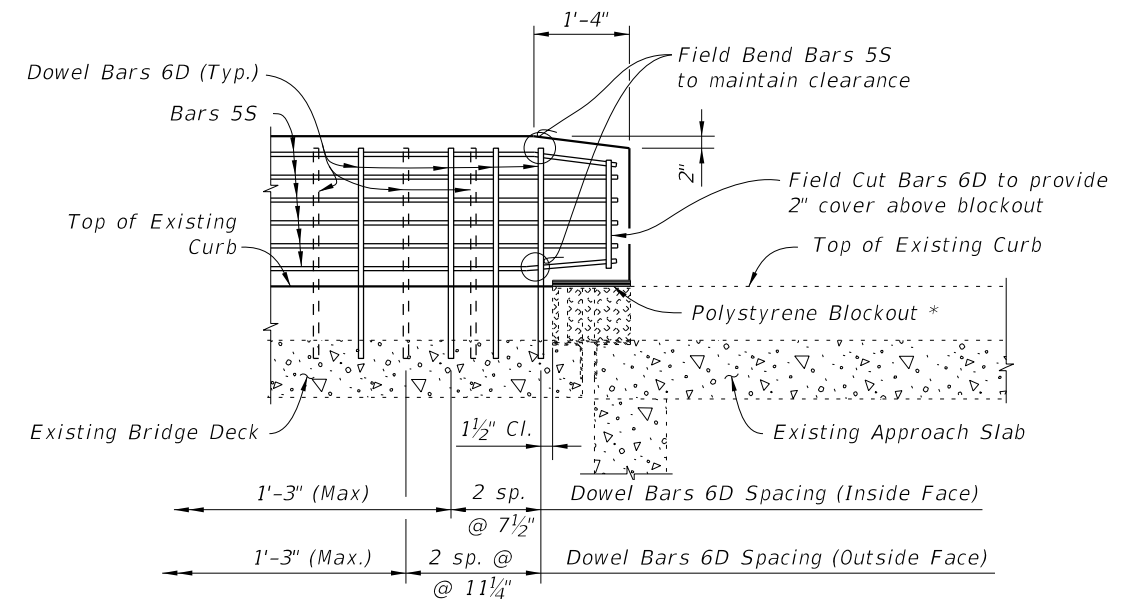
BARRIER DELINEATORS: Barrier Delineators shall meet Specification Section 993. Install barrier delineators on top of the Traffic Railing along the entire length of bridge 2" from the face on the traffic side in accordance with Specification Section 705. Barrier Delineator color (white or yellow) shall match the color of the near edgeline.

PAYMENT: Concrete Traffic Railing - Bridge Retrofit - Post & Beam Railing (each) includes all materials and labor required to demolish a portion of the existing structure where required and to construct the concrete portion of the retrofit railings. Guardrail Approach Transition to Rigid Barriers (EA) includes all transition blocks, and necessary hardware to complete the Guardrail transitions shown.



PARTIAL ELEVATION OF RAILING SHOWING FINGER/SLIDING PLATE JOINT AT BEGIN OR END BRIDGE - SCHEMES 2 THRU 5

* Place 1" thick polystyrene breakout over limits of bridge deck expansion joint full width to the end of the Traffic Railing to allow for thermal movement. Seal Forms to prevent mortar leakage into the expansion joint.



PARTIAL ELEVATION OF RAILING SHOWING FINGER/SLIDING PLATE JOINT AT BEGIN OR END BRIDGE - SCHEME 1 (Guardrail Transition not shown for clarity)

ESTIMATED TRAFFIC RAILING QUANTITIES

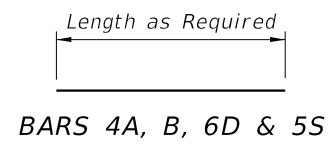
ITEM	UNIT	QUANTITY	
		9" Curb	Increment
Concrete	CY/FT	0.064	0.003 per in. height
Reinforcing Steel	LB/FT	13.27	0.10 per in. length

(Quantities are based on a 9" curb, no curb cross slope and 1'-0" embedment length of Bars 6D. If the curb height or embedment length differs from that shown, increase or decrease quantity by the given per inch increment.)

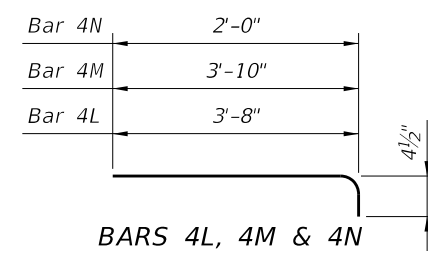
10/01/2020 9:23:53 AM

CONVENTIONAL REINFORCING STEEL BENDING DIAGRAM

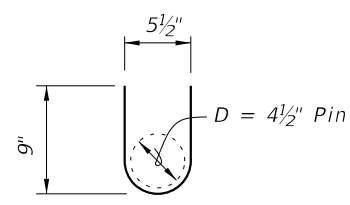
BILL OF REINFORCING STEEL			
MARK	SIZE	LENGTH	NOTE NOS.
A	4	AS REQD.	3
B	1" Ø	2'-0"	2 & 5
C	4	2'-0"	1, 2 & 3
D	6	AS REQD.	2 & 3
L	4	4'-1"	1 & 3
M	4	4'-3"	1 & 3
N	4	2'-5"	1 & 3
S	5	AS REQD.	2, 3 & 4



BARS 4A, B, 6D & 5S

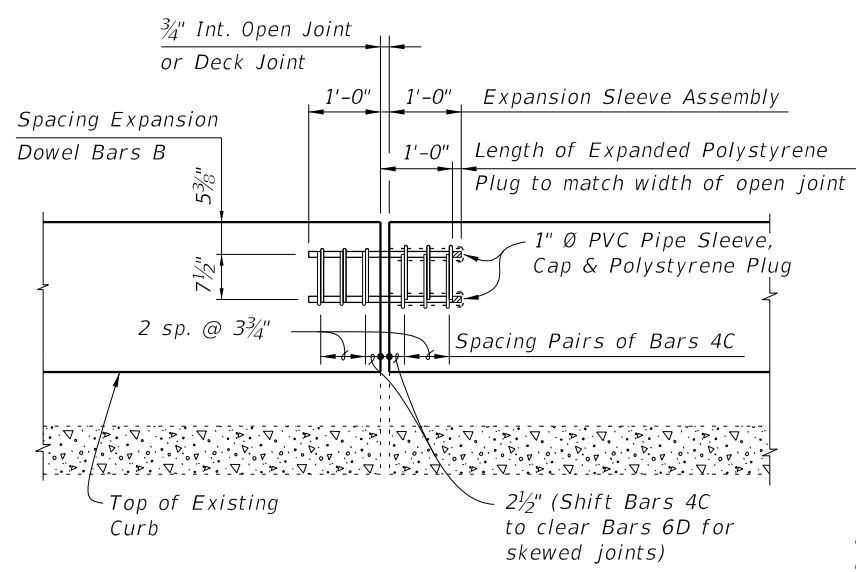


BARS 4L, 4M & 4N

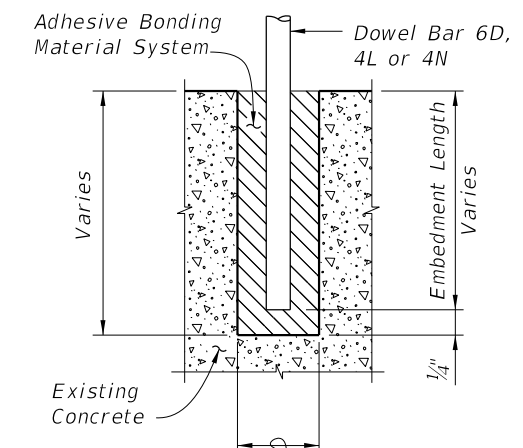


BARS 4C
(12 required per open joint)

- REINFORCING STEEL NOTES:**
- All bar dimensions in the bending diagrams are out to out.
 - The reinforcement for the railing on a retaining wall shall be the same as detailed for a bridge deck.
 - All reinforcing steel in the Vertical Face Retrofit Railing shall have a 2" minimum cover.
 - Bars 5S may be continuous or spliced at the construction joints. Bar splices for Bars 5S shall be a minimum of 2'-0".
 - Expansion Dowel Bars B shall be ASTM A36 smooth round bar and hot-dip galvanized in accordance with the Specifications.



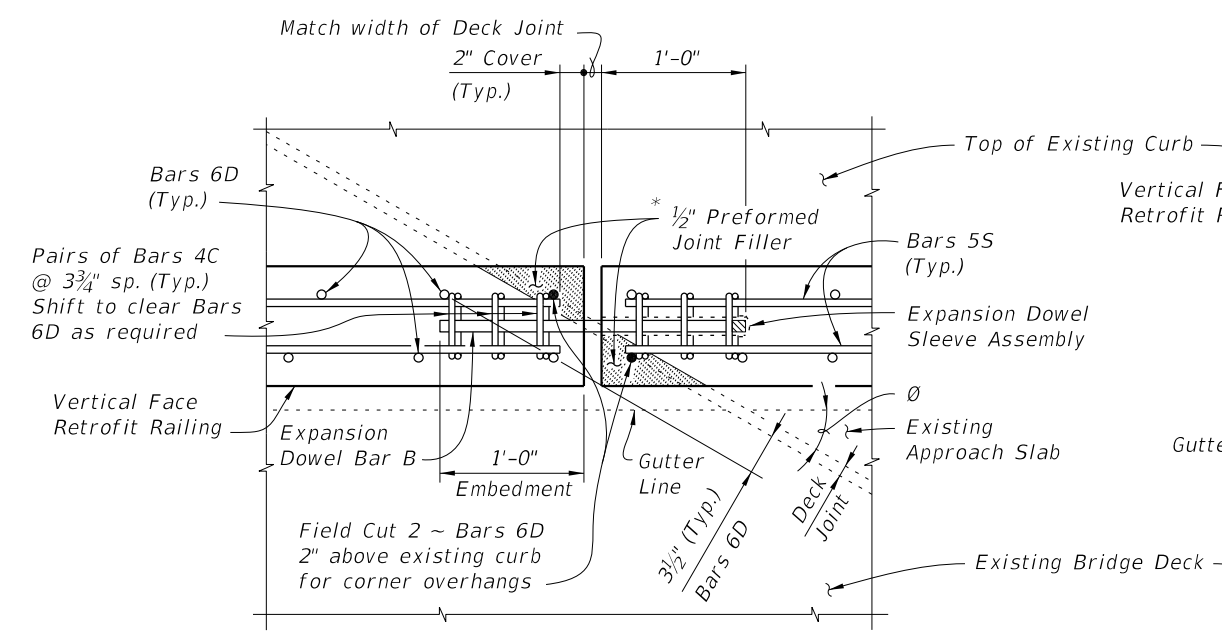
OPEN JOINT EXPANSION DOWEL DETAIL
(Railing Reinforcing Not Shown For Clarity)



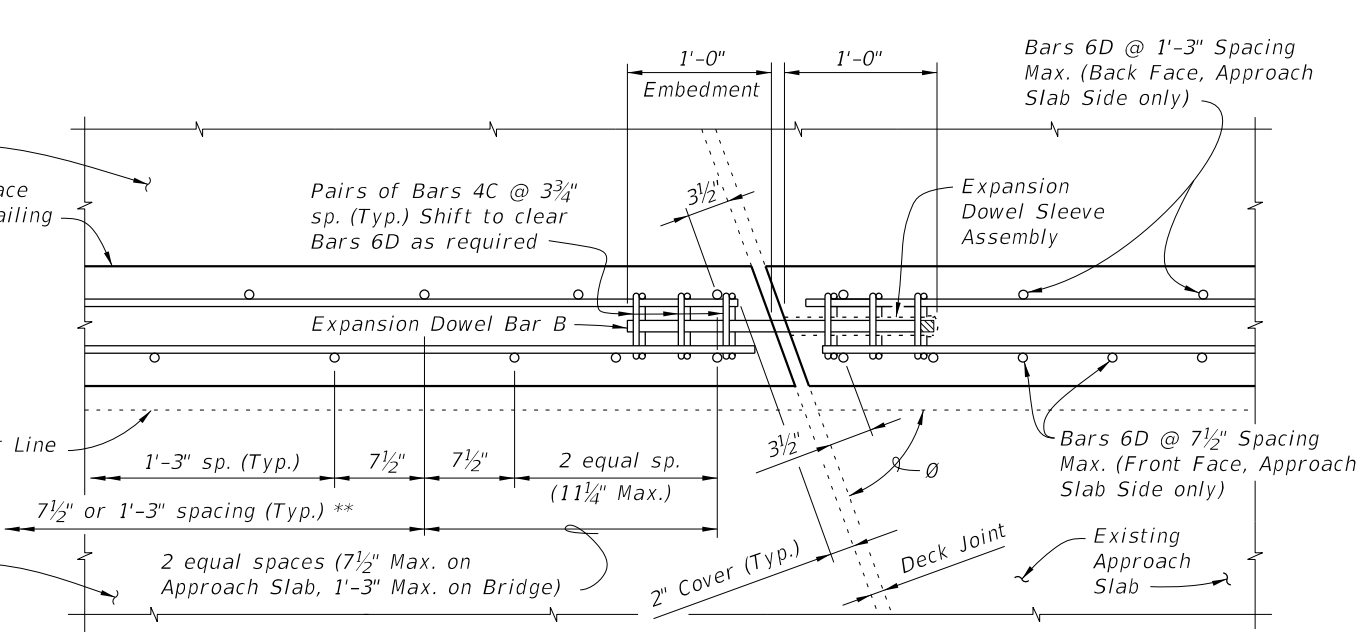
DOWEL DETAIL

Dowel Installation Note:
Shift dowel holes to clear if the existing reinforcement is encountered.

* 1/2" Preformed Joint Filler at top of Existing Curb shall extend beyond the joint material (Silicone, poured rubber, armored neoprene seal or sliding plates) as shown to prevent concrete intrusion during railing casting and shall be placed so as not to restrict in any way normal joint movement.



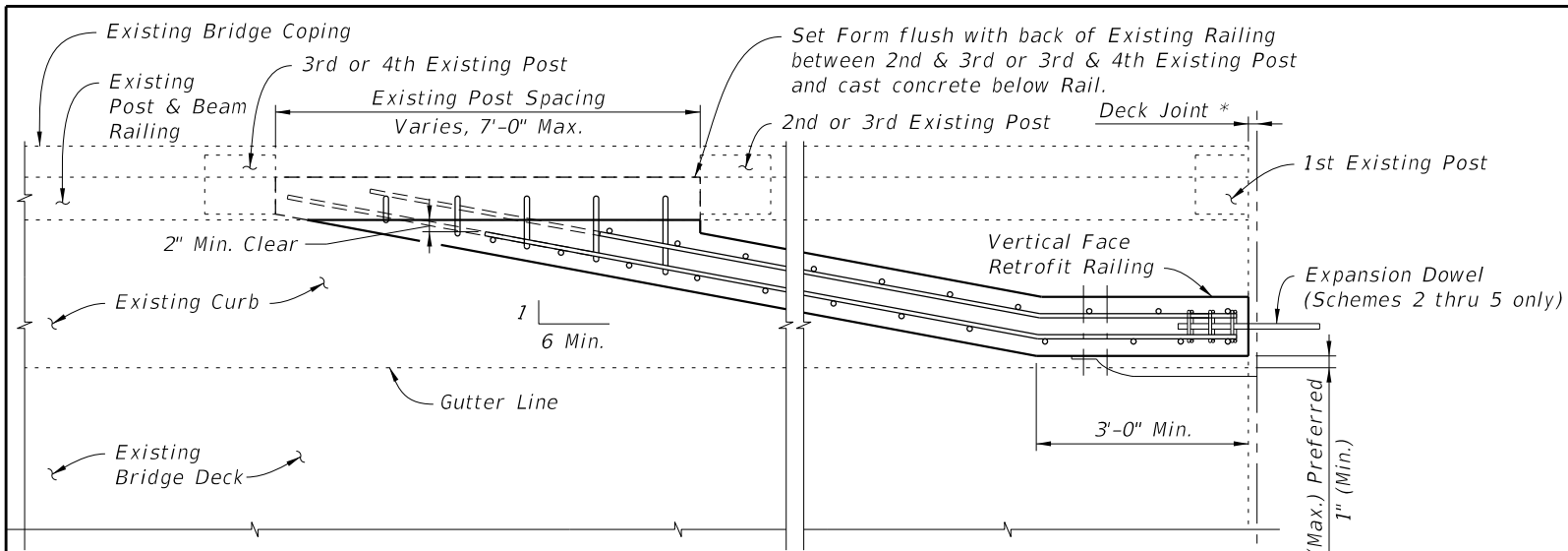
PARTIAL PLAN OF RAILING (SKEW ANGLE Ø LESS THAN 70°)



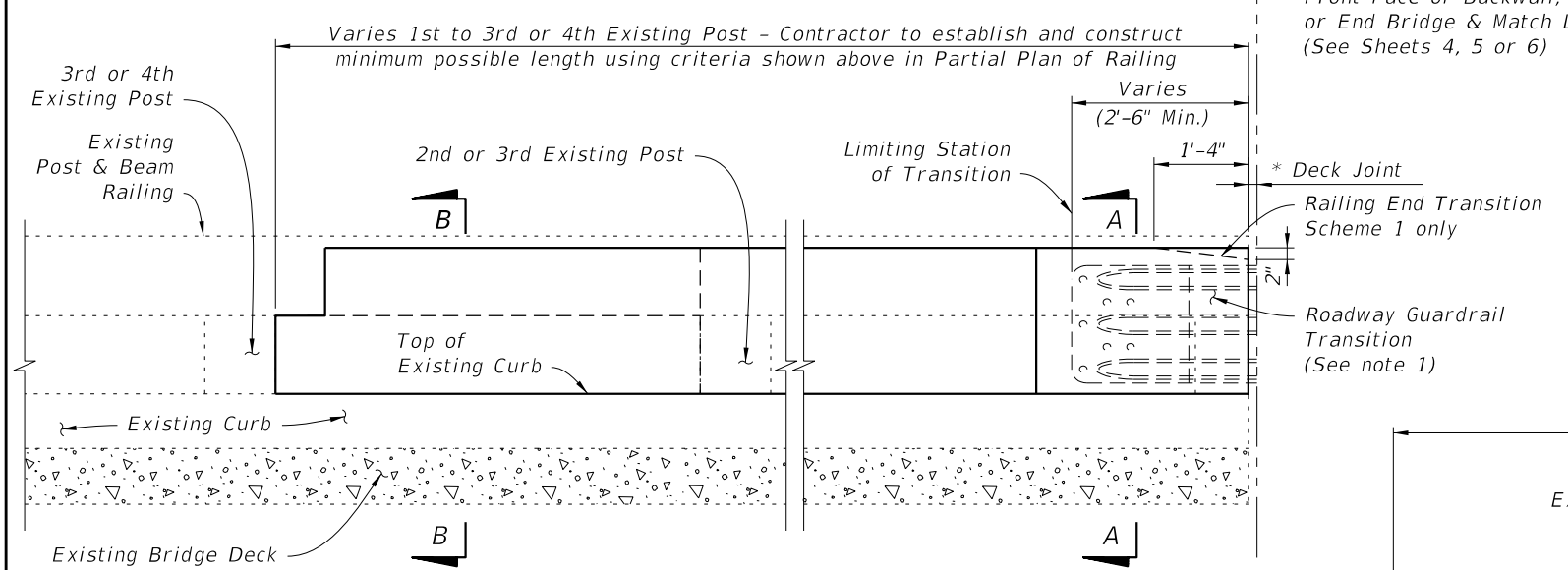
PARTIAL PLAN OF RAILING (SKEW ANGLE Ø = 70° OR GREATER)

SKEW DETAIL

10/8/2020 9:23:55 AM



PARTIAL PLAN OF RAILING

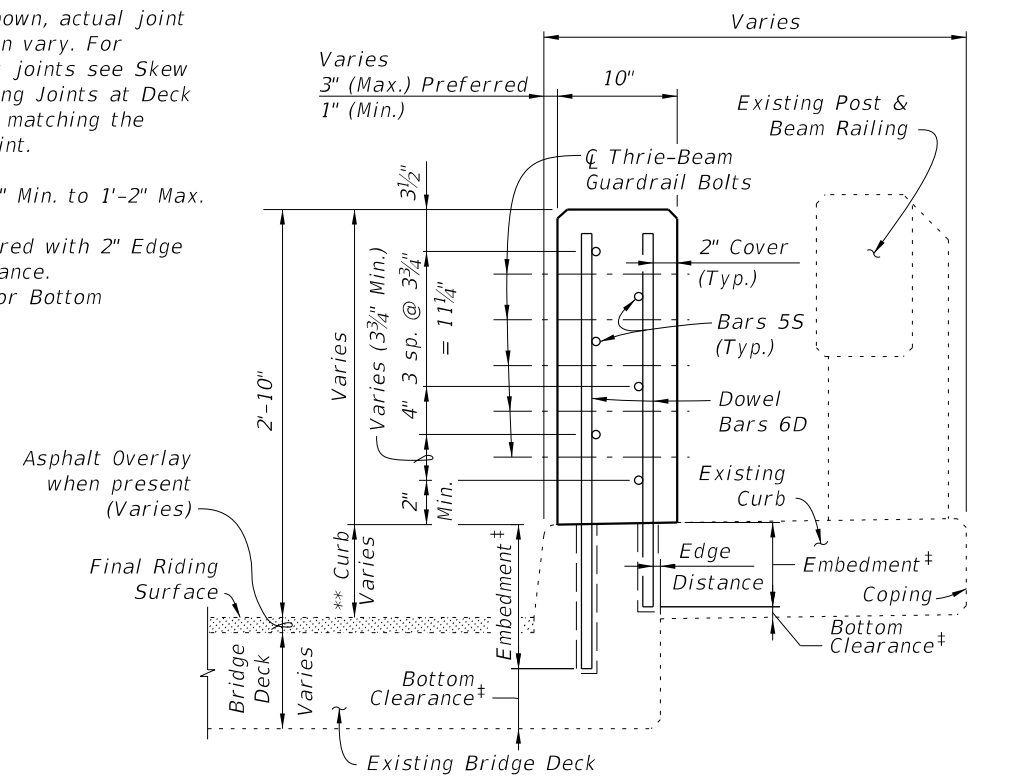


**PARTIAL ELEVATION OF INSIDE FACE OF RAILING
(Expansion Dowel Assemblies & Bars 4C not shown for clarity)**

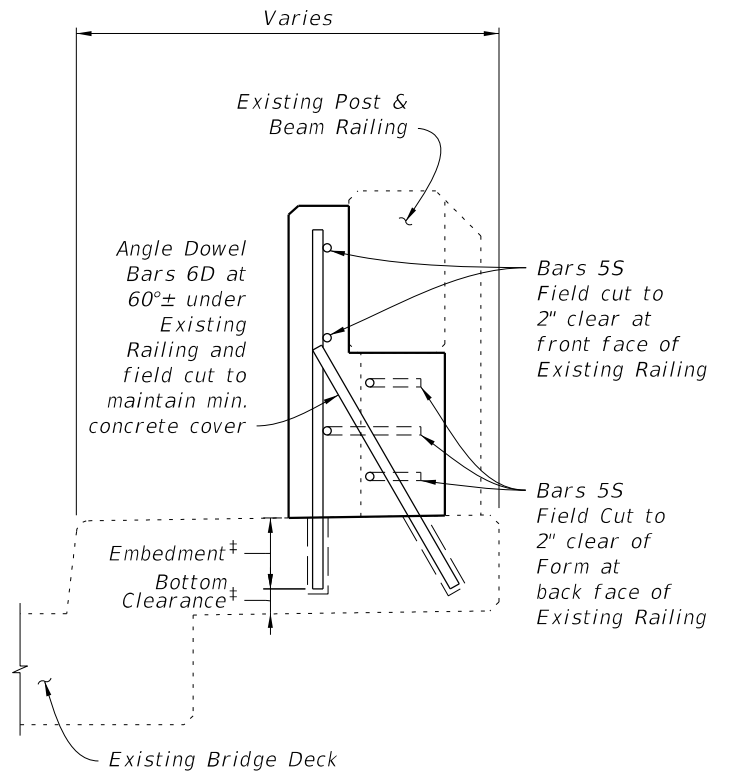
TYPICAL TREATMENT OF RAILING ALONG BRIDGE

- NOTES:**
1. On approach end provide a Roadway Guardrail Transition, Index No. 402 (as shown) or other site specific treatment. See Roadway Plans for limiting station of Roadway Guardrail Transition or other site specific treatment. If limiting station of Roadway Guardrail Transition is on the bridge, attach Thrie-Beam Terminal Connector to railing as shown above. If limiting station of Roadway Guardrail Transition is along the Wing Wall, see Schemes 2, 3, 4 or 5, Sheets 4, 5 and 6. On skewed bridges, if the skew along the deck joint extends across the width of the railing, the 2'-6" minimum dimension shall apply to both the front and back face of the railing. For treatment of trailing end see Roadway Plans.
 2. Field cut Bars 5S and Dowel Bars 6D to maintain clearance within Vertical Face Retrofit Railing.
 3. Where existing structure has been removed and not encased in new concrete; match adjoining areas and finish flat by grouting or grinding as required. Exposed existing reinforcing steel not encased in new concrete shall be burned off 1" below existing concrete and grouted over.

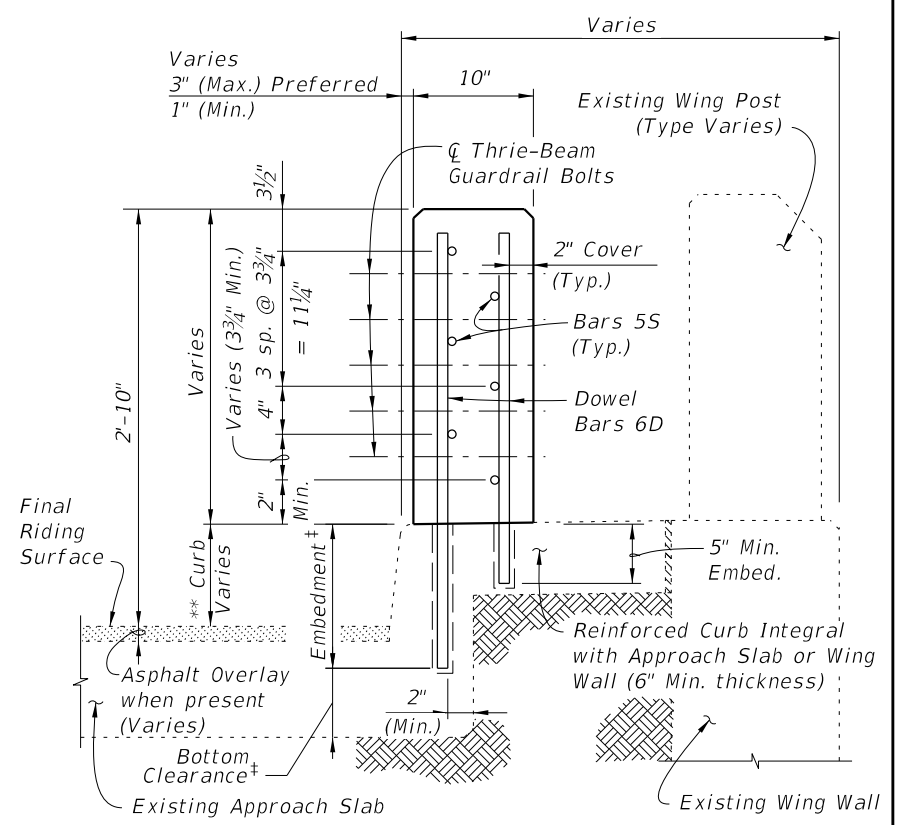
- * Non skewed deck joint shown, actual joint dimensions and orientation vary. For treatment at skewed deck joints see Skew Detail. Provide open Railing Joints at Deck Expansion Joint locations matching the dimension of the Deck Joint.
- ** Curb heights vary from 5" Min. to 1'-2" Max.
- ‡ Embedment - 1'-0" preferred with 2" Edge Distance or Bottom Clearance. 6" Min. if Edge Distance or Bottom Clearance is less than 2".



**SECTION A-A
TYPICAL SECTION THRU RAILING ON BRIDGE DECK**



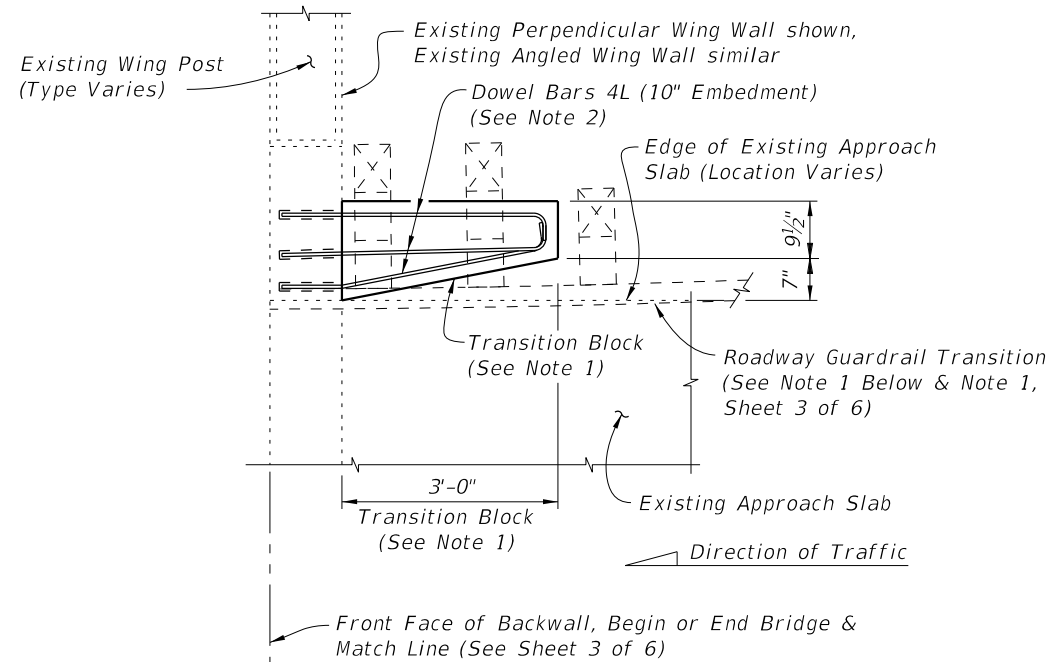
SECTION B-B



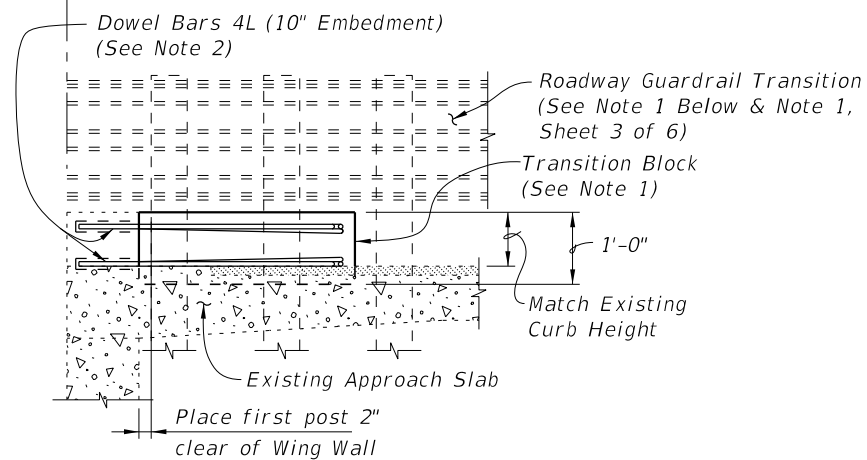
**SECTION C-C
TYPICAL SECTION THRU RAILING ALONG APPROACH SLAB
(SCHEMES 2 AND 3 ONLY)**

10/8/2020 9:23:58 AM

LAST REVISION 07/01/13	DESCRIPTION:	 FY 2021-22 STANDARD PLANS	GUARDRAIL TRANSITIONS - EXISTING POST & BEAM BRIDGE RAILINGS (WIDE CURBS)	INDEX 521-405	SHEET 3 of 6
---------------------------	--------------	--	--	-------------------------	------------------------



PARTIAL PLAN OF RAILING

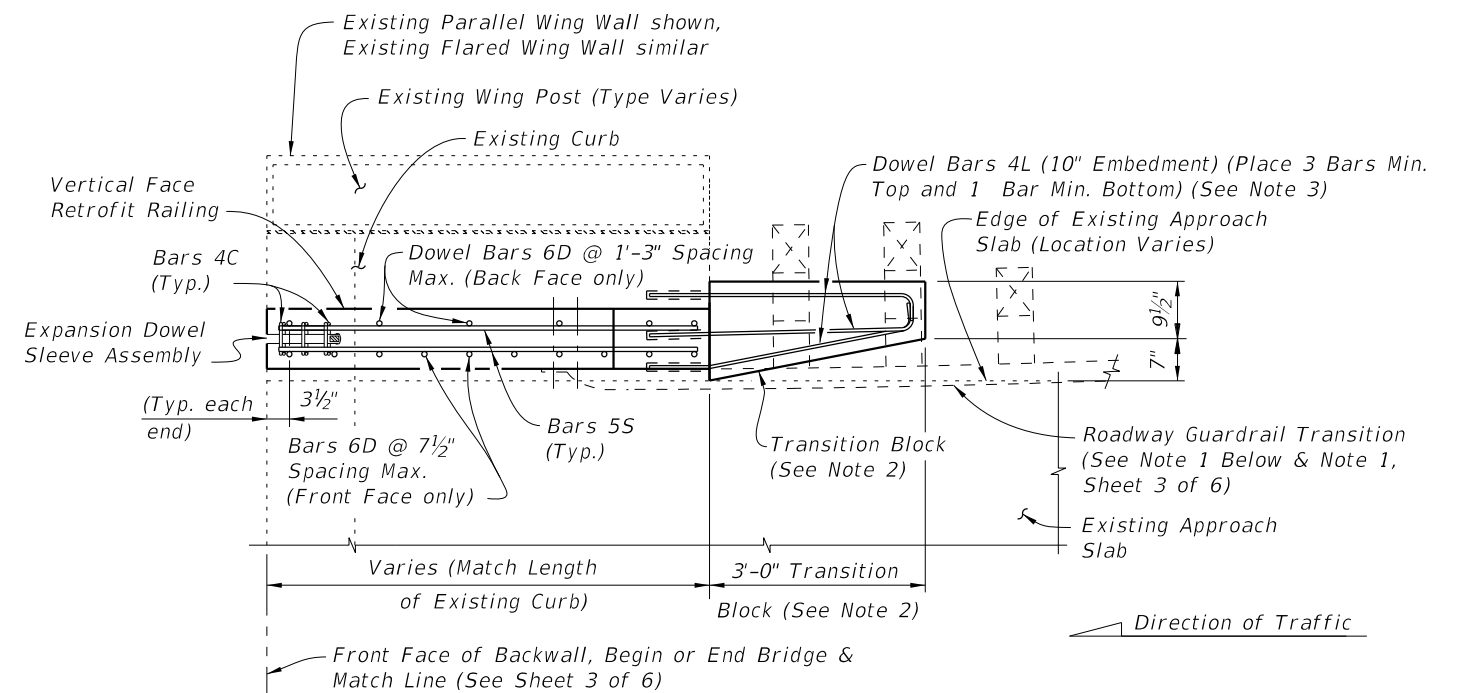


PARTIAL ELEVATION OF INSIDE FACE OF GUARDRAIL
(Existing Wing Post not shown for clarity)

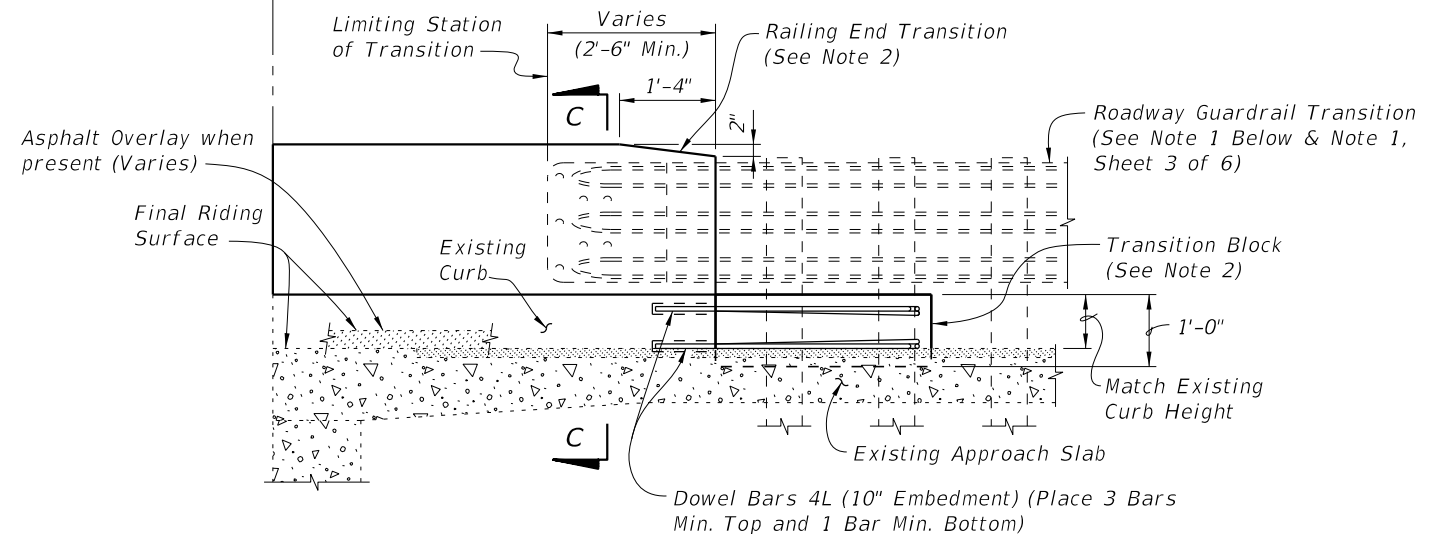
SCHEME 1
RAILING END TREATMENT FOR
PERPENDICULAR OR ANGLED WING WALLS

SCHEME 1 NOTES:

1. Provide Transition Block (as shown) or Curb if existing Approach Slab does not have a curb, see Roadway Plans. Shape and height of Transition Block or Curb shall match existing bridge curb. Railing End Transition and Transition Block may be omitted on trailing ends with no opposing traffic.
2. Field bend Dowel Bars 4L within Transition Block as required to maintain 2" top and side clearance and 3" bottom clearance.
3. If a Special Steel Guardrail Post is required for attachment to the top of a sloping Wing Wall, saw cut and remove a wedge shaped portion of the sloping Wing Wall as required to provide a level surface for post installation.



PARTIAL PLAN OF RAILING



PARTIAL ELEVATION OF INSIDE FACE OF RAILING
(Existing Wing Post, Railing Reinforcing and Expansion Dowel Assemblies not shown for clarity)

SCHEME 2
RAILING END TREATMENT FOR PARALLEL CURBS

SCHEME 2 NOTES:

1. See Roadway Plans for limiting station of Roadway Guardrail Transition or other site specific treatment. If limiting station of Roadway Guardrail Transition is along the Wing Wall, attach Thrie-Beam Terminal Connector to railing as shown above. If limiting station of Roadway Guardrail Transition is on the bridge, see Sheet 3 of 6. On skewed bridges, if the skew along the deck joint extends across the width of the railing, the 2'-6" minimum dimension shall apply to both the front and back face of the railing.
2. Provide Transition Block (as shown) or Curb if existing Approach Slab Curb does not extend beyond end of existing End Bent Wing Wall, see Roadway Plans. Shape and height of Transition Block or Curb shall match existing bridge curb. Railing End Transition and Transition Block may be omitted on trailing ends with no opposing traffic.
3. Field bend Dowel Bars 4L within Transition Block as required to maintain 2" top and side clearance and 3" bottom clearance.

10/01/2020 9:24:00 AM

LAST REVISION 07/01/13	REVISION	DESCRIPTION:
---------------------------	----------	--------------

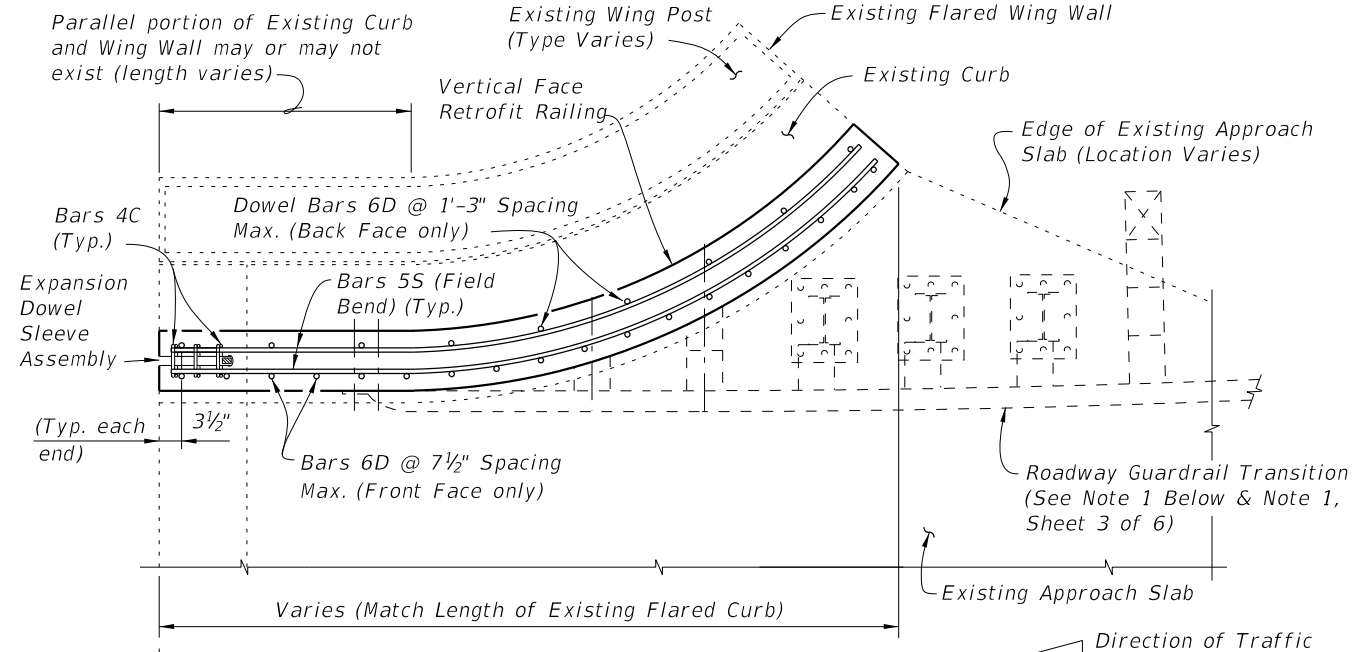


FY 2021-22
STANDARD PLANS

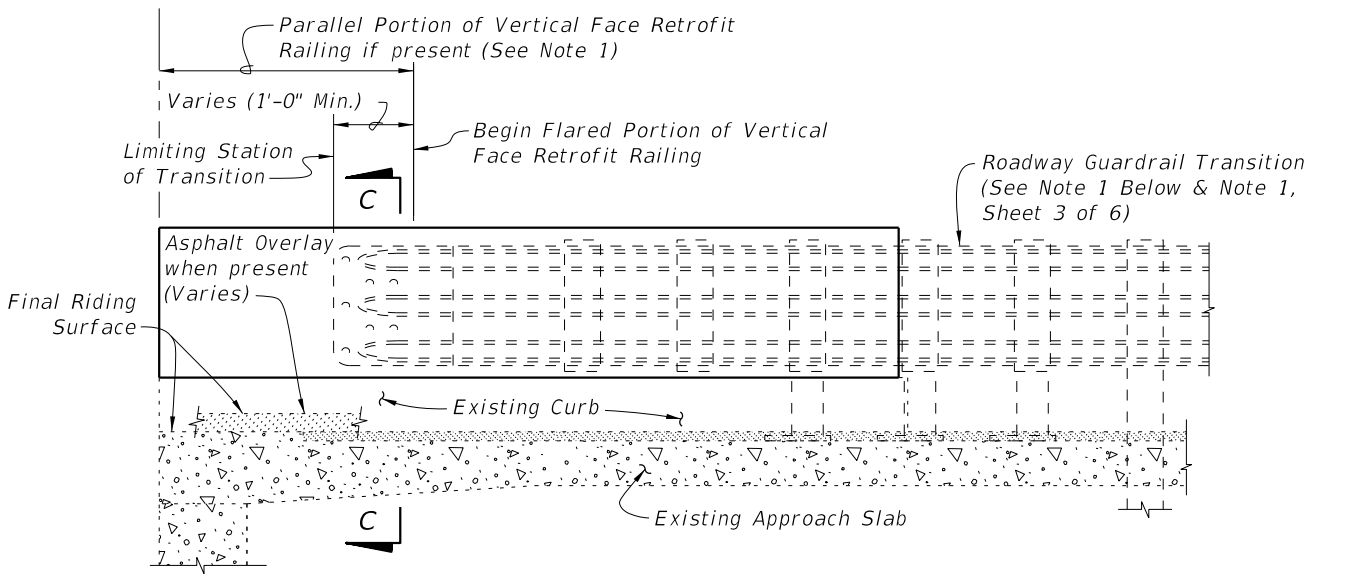
GUARDRAIL TRANSITIONS - EXISTING
POST & BEAM BRIDGE RAILINGS (WIDE CURBS)

INDEX
521-405

SHEET
4 of 6



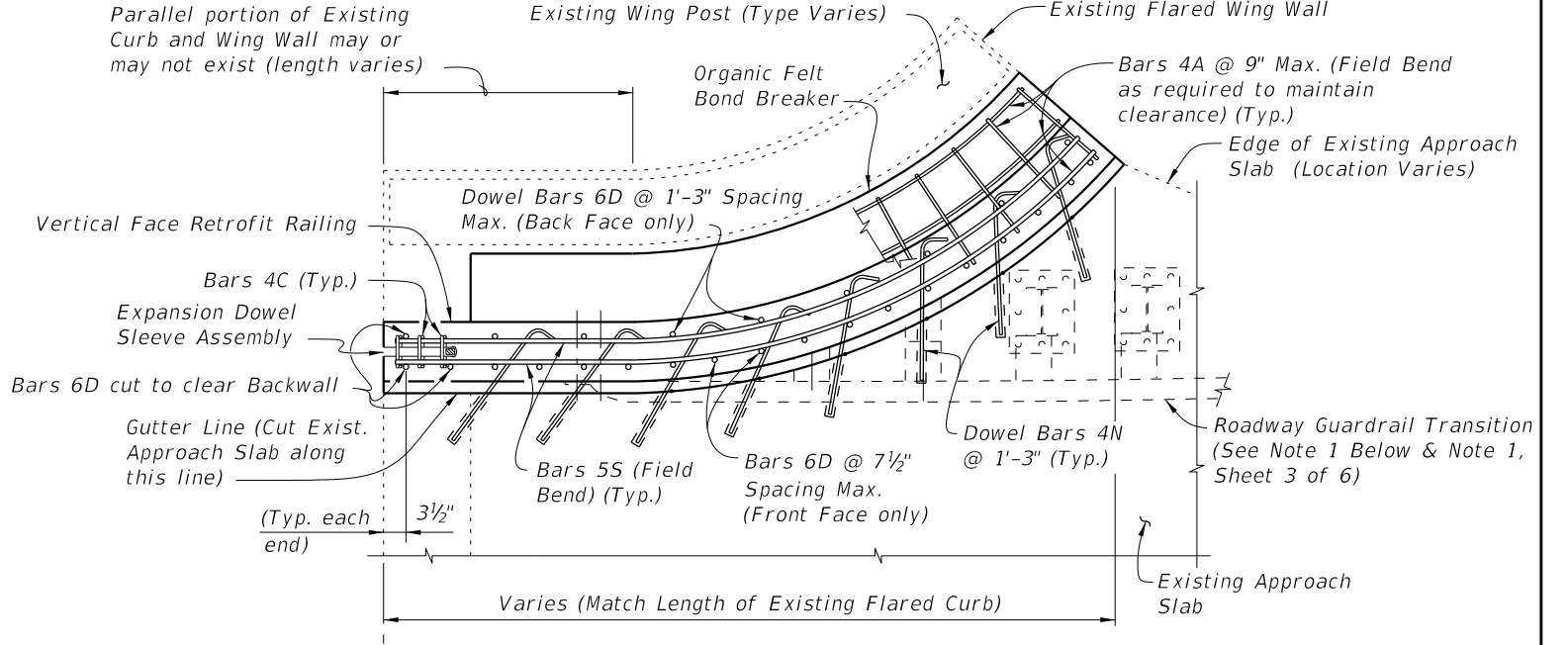
PARTIAL PLAN OF RAILING



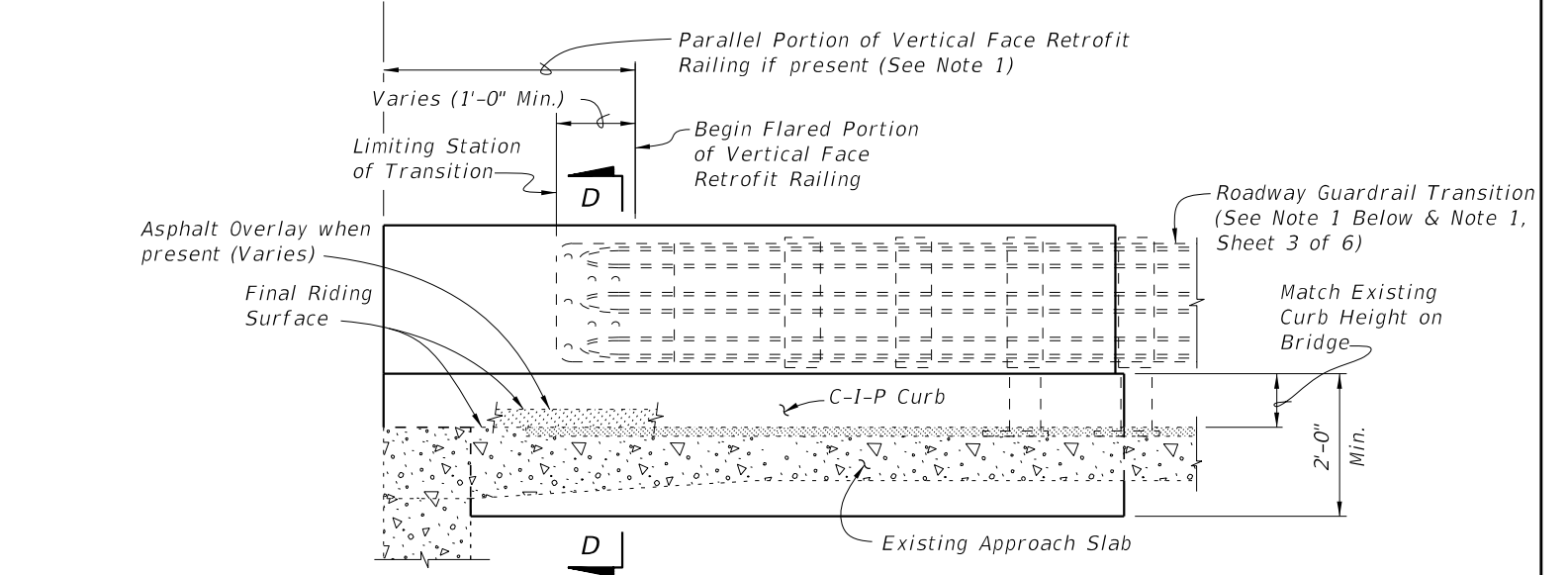
PARTIAL ELEVATION OF INSIDE FACE OF RAILING
 (Existing Wing Post, Railing Reinforcing and Expansion Dowel Assemblies not shown for clarity)
SCHEME 3
RAILING END TREATMENT FOR FLARED CURBS

SCHEME 3 NOTE:

1. See Roadway Plans for limiting station of Roadway Guardrail Transition or other site specific treatment. If limiting station of Roadway Guardrail Transition is along the Wing Wall, attach Thrie-Beam Terminal Connector to railing as shown above. If limiting station of Roadway Guardrail Transition is on the bridge, see Sheet 3 of 6.



PARTIAL PLAN OF RAILING



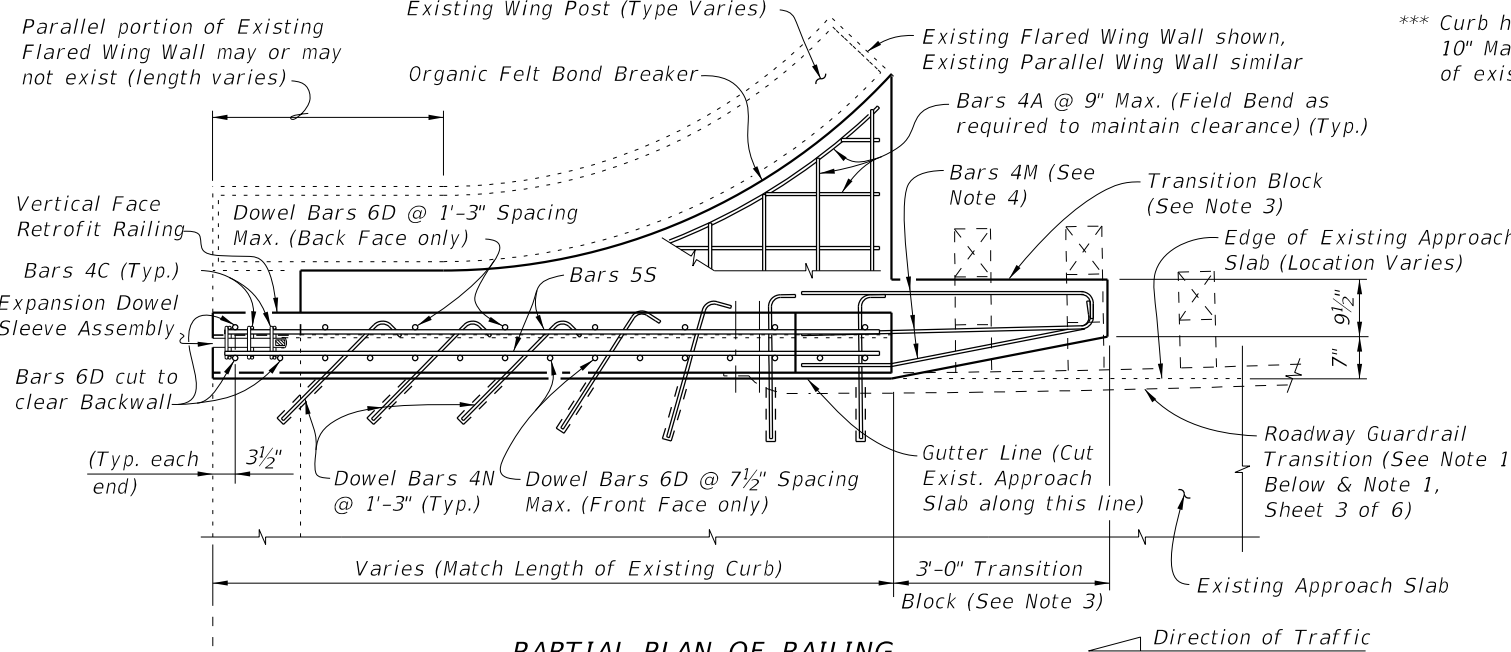
PARTIAL ELEVATION OF INSIDE FACE OF RAILING
 (Existing Wing Post, Railing Reinforcing and Expansion Dowel Assemblies not shown for clarity)
SCHEME 4
RAILING END TREATMENT FOR FLARED CURBS

SCHEME 4 NOTES:

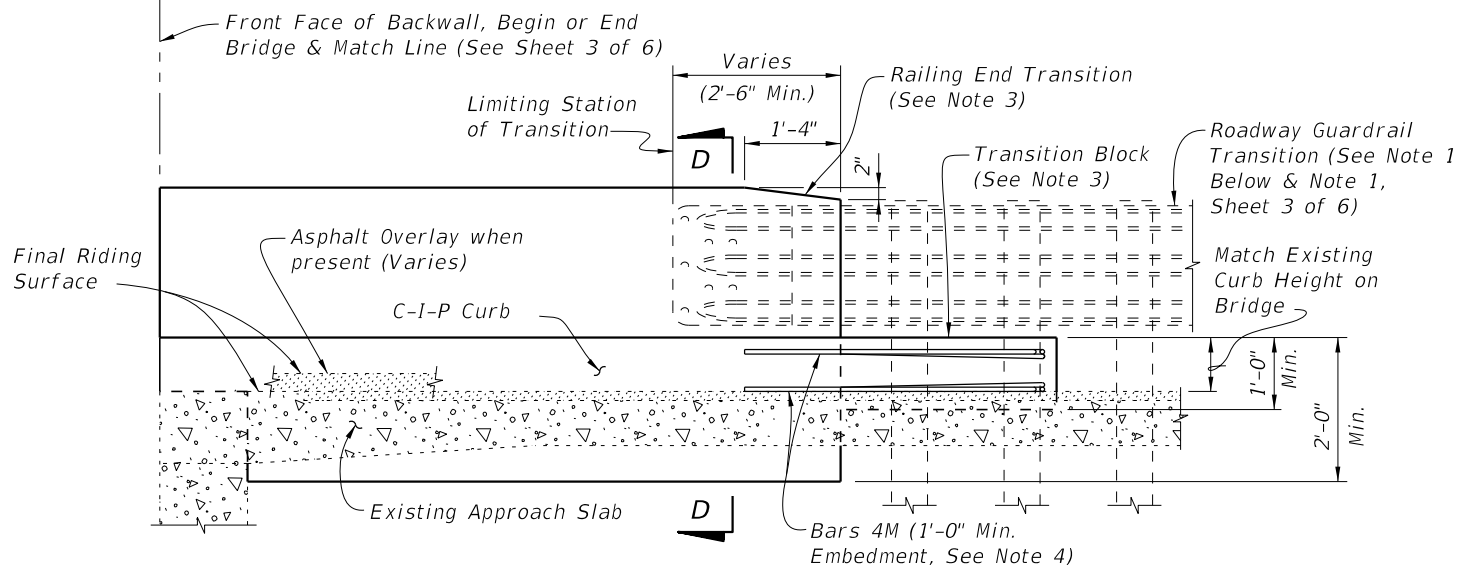
1. See Roadway Plans for limiting station of Roadway Guardrail Transition or other site specific treatment. If limiting station of Roadway Guardrail Transition is along the Wing Wall, attach Thrie-Beam Terminal Connector to railing as shown above. If limiting station of Roadway Guardrail Transition is on the bridge, see Sheet 3 of 6.
2. Dowel Bars 4N may be installed on a maximum angle of 45° to the cut edge of the Approach Slab as shown to facilitate drilling of holes and installation of bars.
3. At the Contractor's option, along the length of the Approach Slab curb that is to be replaced, Dowel Bars 6D may be cast in with the new section of curb as shown or they may be installed in drilled holes in the new section of curb using an Adhesive Bonding Material System with a 1'-0" minimum embedment.

10/8/2020 9:24:02 AM

LAST REVISION 11/01/16	REVISION	DESCRIPTION:	 FY 2021-22 STANDARD PLANS	GUARDRAIL TRANSITIONS - EXISTING POST & BEAM BRIDGE RAILINGS (WIDE CURBS)	INDEX 521-405	SHEET 5 of 6
---------------------------	----------	--------------	--	--	------------------	-----------------



PARTIAL PLAN OF RAILING



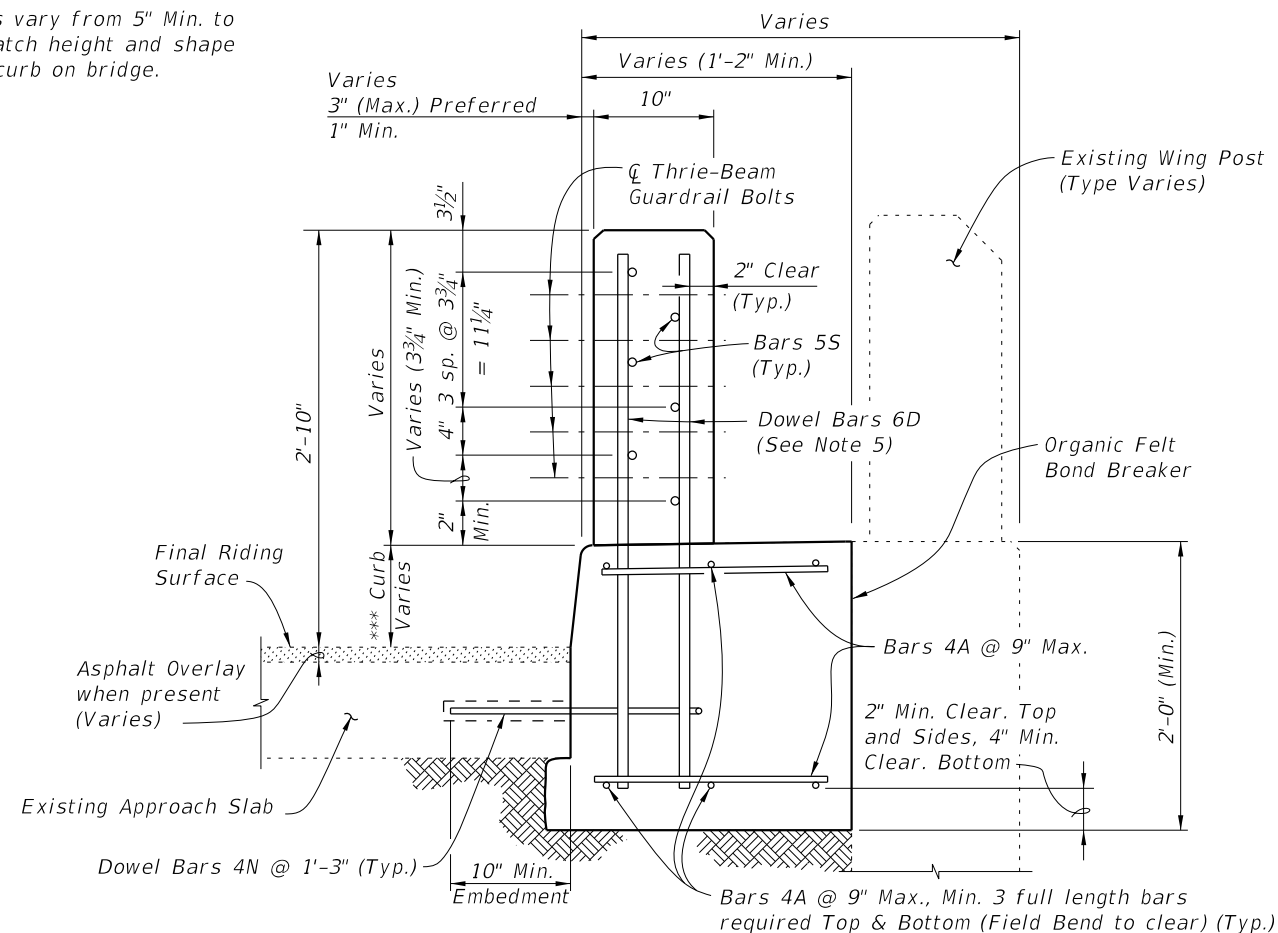
PARTIAL ELEVATION OF INSIDE FACE OF RAILING
(Existing Wing Post, Railing Reinforcing and Expansion Dowel Assemblies not shown for clarity)

SCHEME 5
RAILING END TREATMENT FOR PARALLEL CURBS

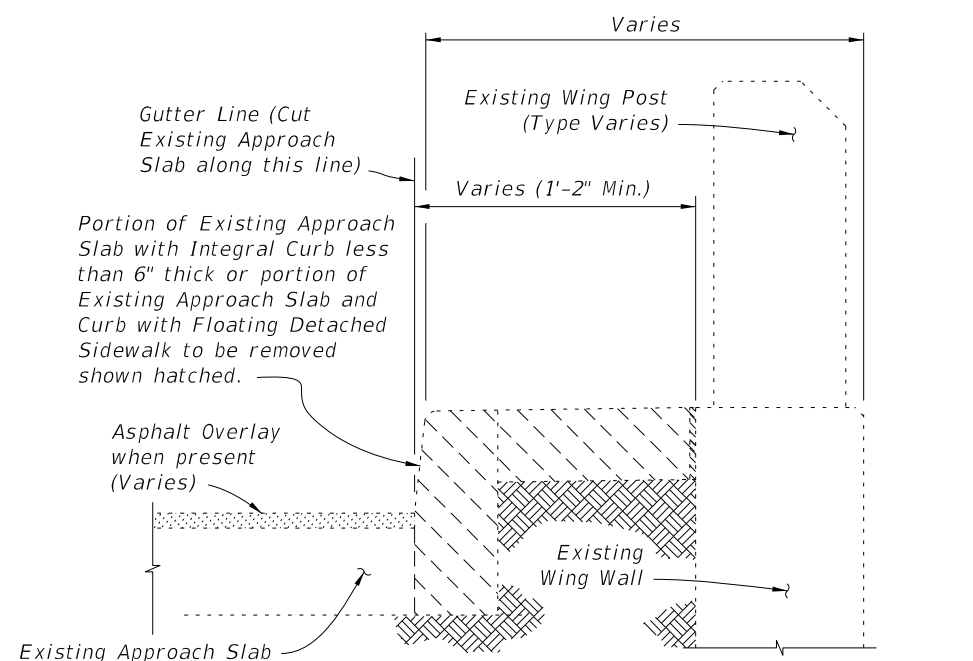
SCHEME 5 NOTES:

1. See Roadway Plans for limiting station of Roadway Guardrail Transition or other site specific treatment. If limiting station of Roadway Guardrail Transition is along the Wing Wall, attach Thrie-Beam Terminal Connector to railing as shown above. If limiting station of Roadway Guardrail Transition is on the bridge, see Sheet 3 of 6.
2. Dowel Bars 4N may be installed on a maximum angle of 45° to the cut edge of the Approach Slab as shown to facilitate drilling of holes and installation of bars.
3. Provide Transition Block (as shown) or Curb if existing Approach Slab Curb does not extend beyond end of existing End Bent Wing Wall, see Roadway Plans. Shape and height of Transition Block or Curb shall match existing bridge curb. Railing End Transition and Transition Block may be omitted on trailing ends with no opposing traffic.
4. Field bend Dowel Bars 4M within Transition Block as required to maintain 2" top and side clearance and 3" bottom clearance.
5. At the Contractor's option, along the length of the Approach Slab curb that is to be replaced, Dowel Bars 6D may be cast in with the new section of curb as shown or they may be installed in drilled holes in the new section of curb using an Adhesive Bonding Material System with a 1'-0" minimum embedment.

*** Curb heights vary from 5" Min. to 10" Max. Match height and shape of existing curb on bridge.



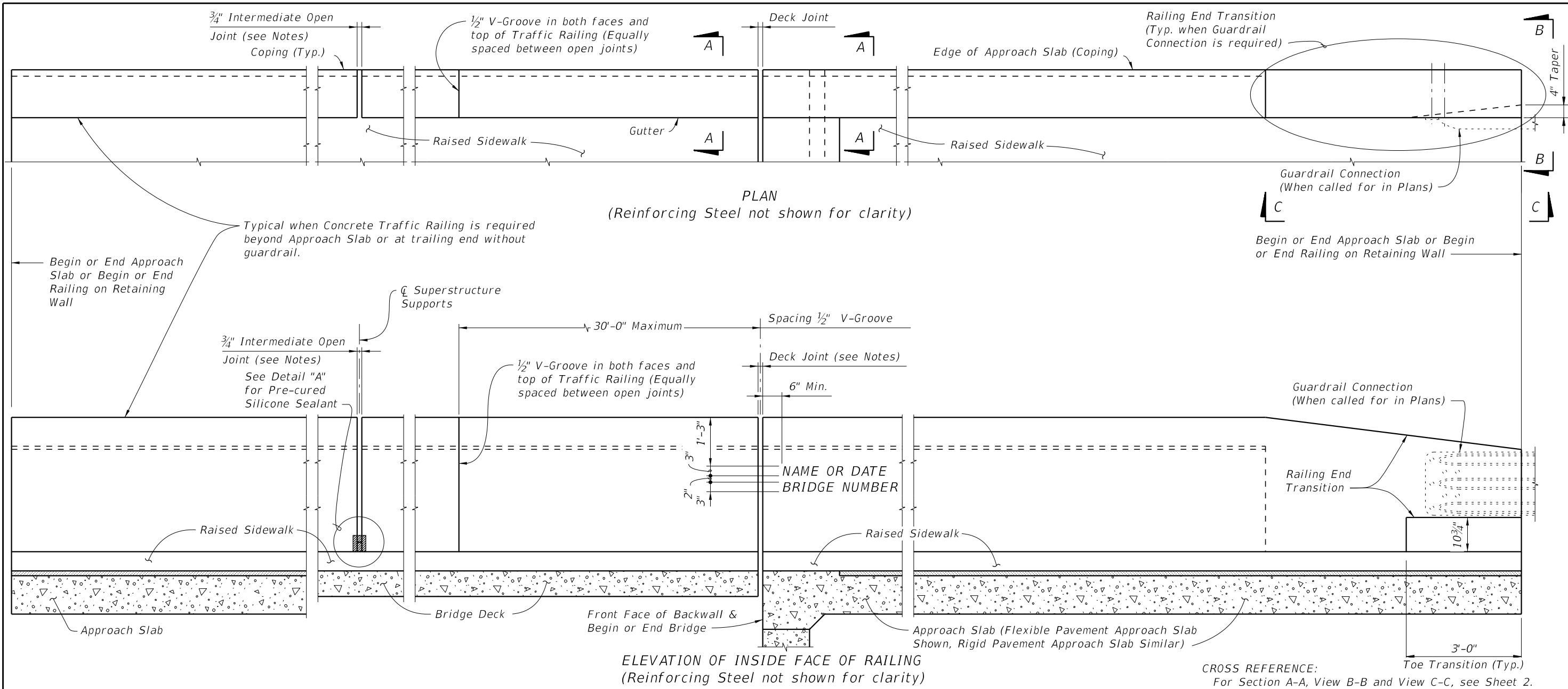
SECTION D-D
TYPICAL SECTION THRU RAILING ALONG APPROACH SLAB
(SCHEME 4 SHOWN, SCHEME 5 SIMILAR)



TYPICAL SECTION THRU EXISTING APPROACH SLAB AND END BENT WING WALL SHOWING LIMITS OF REMOVAL
(SCHEMES 4 AND 5 ONLY)

10/8/2020 9:24:04 AM

LAST REVISION 11/01/16	REVISION	DESCRIPTION:		FY 2021-22 STANDARD PLANS	GUARDRAIL TRANSITIONS - EXISTING POST & BEAM BRIDGE RAILINGS (WIDE CURBS)	INDEX 521-405	SHEET 6 of 6
---------------------------	----------	--------------	--	--	--	-------------------------	------------------------



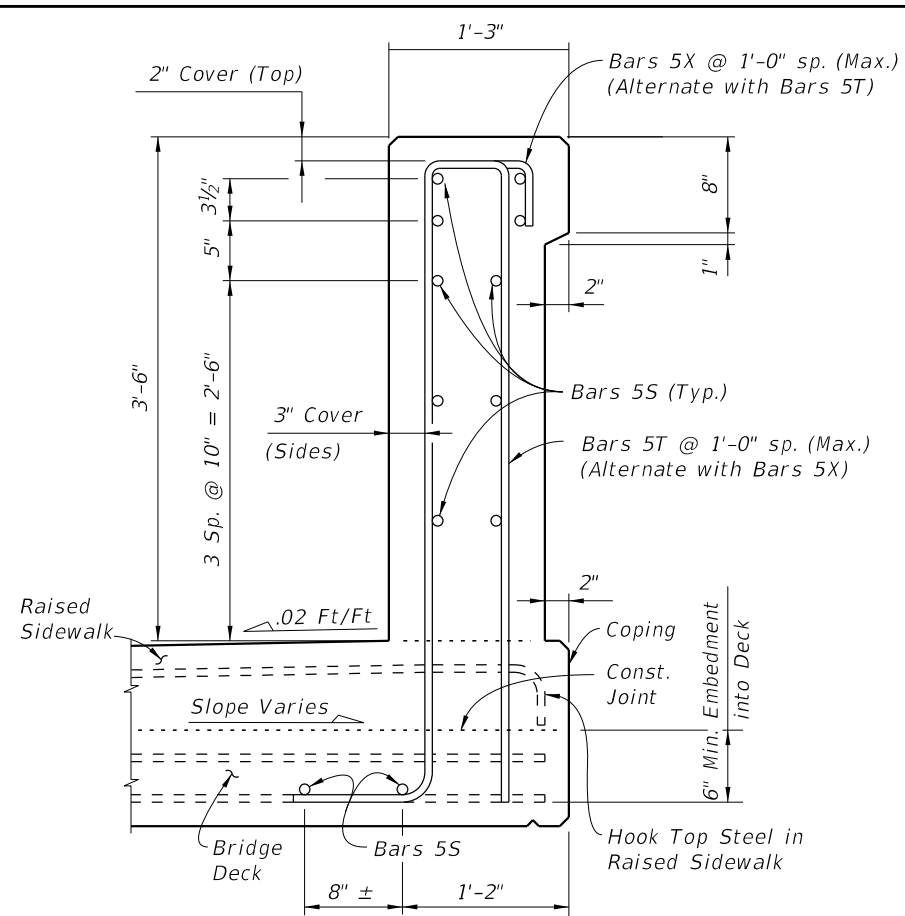
TRAFFIC RAILING NOTES

1. Materials: See Structures Plans, General Notes
2. Guardrail Connection Details: See Index 536-001
3. Traffic Railings may be constructed perpendicular to the sidewalk surface.
If an adjoining railing is constructed plumb, transition the end of the Traffic Railing from perpendicular to plumb over a minimum distance of 20'-0". The cost of all modifications will be at the Contractor's expense.
4. Name, Date & Bridge Number: Place the Name and Bridge Number on the Traffic Railing on the driver's right side when approaching the bridge. Place the Date on the driver's left side when approaching the bridge. Use the Name as shown in the General Notes of the Structures Plans. The Date is the year the bridge is completed. For a widening when the existing railing is removed, use both the date on the removed rail and the year of the widening. Form letters and figures with 3/8" V-Grooves using preformed letters and figures. Black plastic letters and figures 3" tall may be used, if approved by the Engineer.
5. Open Joints: See the Superstructure Plans, Approach Slab and Retaining Wall Sheets for Deck Joint dimensions and orientation. Provide Open Railing Joints matching the dimensions of the Deck Joint at Deck Expansion Joint locations.
A. For treatment of railings on skewed bridges see Sheet 3.
6. Open Joints: Provide 3/4" Open Joints at:
A. Superstructure supports where the slab is continuous.
B. At ends of approach slabs when adjacent to retaining walls and at expansion joints on retaining wall junction slabs.
7. V-Grooves: Construct 1/2" V-Grooves plumb. Space V-Grooves equally between 3/4" Open Joints and/or Deck Joints and the at V-Groove locations on the Retaining Wall footing/junction slabs.
8. Barrier Delineators: Install Barrier Delineators on top of the Traffic Railing 2" from the face of the traffic side in accordance with Specification Section 705. Match the Barrier Delineator to the color (white or yellow) of the near edgeline.
9. Traffic Railing Transitions:
A. Transition to guardrail: see Detail "A" and View B-B.
B. Transition to 38" Concrete Barriers: see Detail "B" and View C-C. Work these details with Index 521-610.
10. See Superstructure Plans for drainage slot locations and size (when required)
11. For embedded conduit and junction boxes see Index 630-010. For Traffic Railings with Pedestrian/Bicycle Bullet Railings see Index 515-021 and 515-022 for Notes, Details and post spacing.

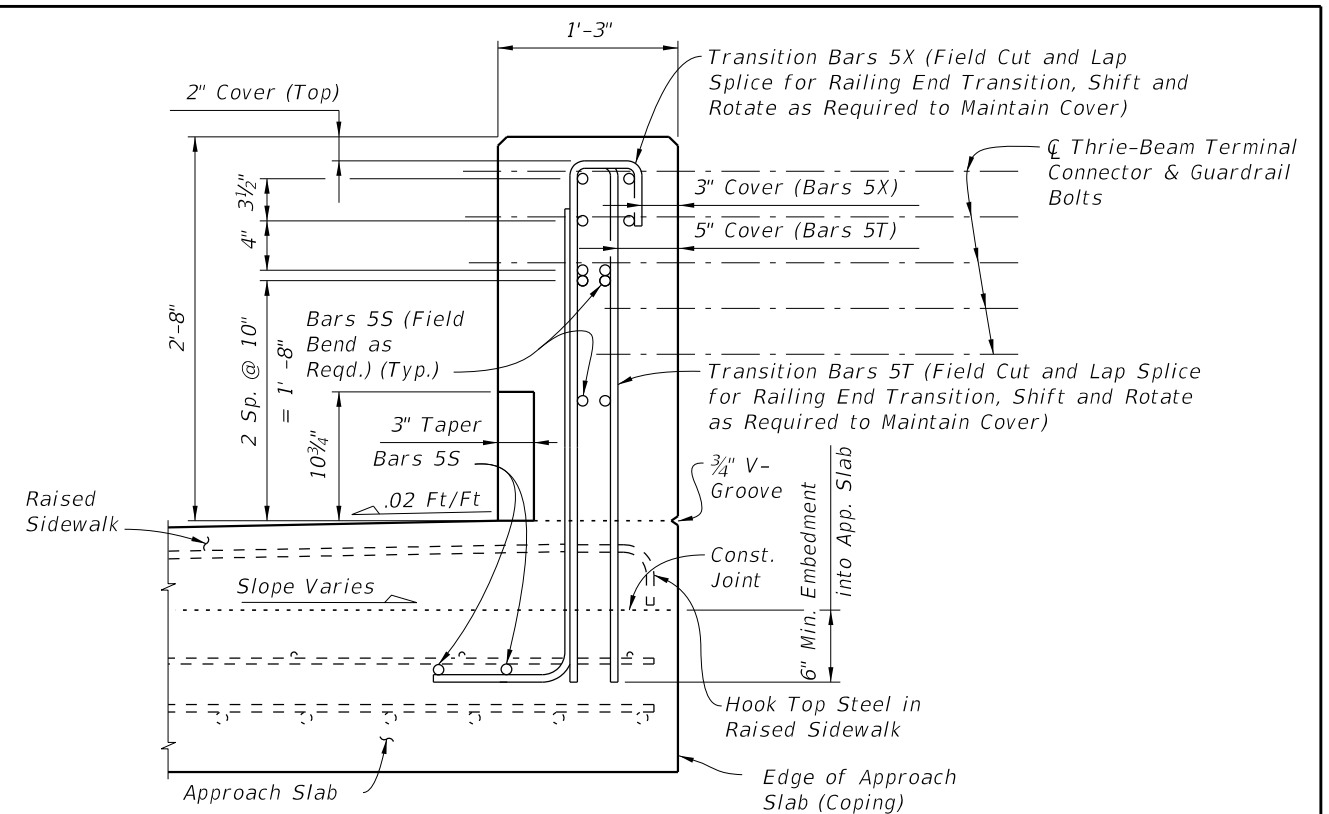
CROSS REFERENCE:
For Section A-A, View B-B and View C-C, see Sheet 2.
For Detail "A" see Sheet 3.

SDATES

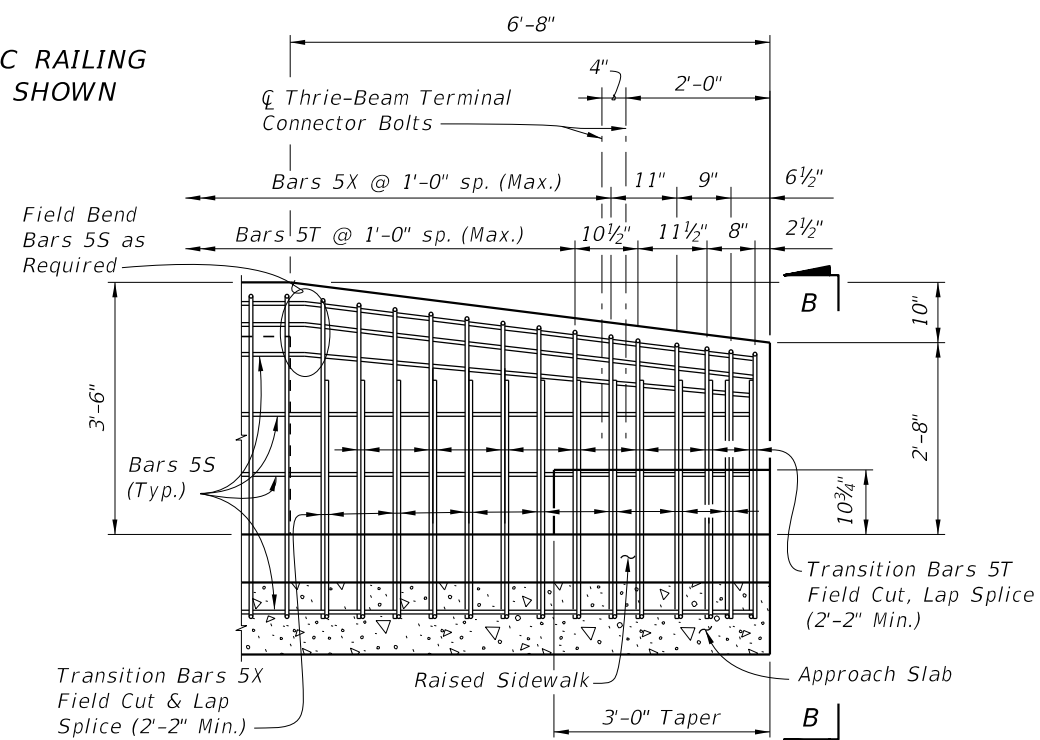
LAST REVISION 11/01/20	REVISION	DESCRIPTION:	 FY 2021-22 STANDARD PLANS	TRAFFIC RAILING - (42" VERTICAL SHAPE)	INDEX 521-422	SHEET 1 of 3
---------------------------	----------	--------------	--	---	-------------------------	------------------------



SECTION A-A
TYPICAL SECTION THRU TRAFFIC RAILING
SECTION THRU BRIDGE DECK SHOWN



VIEW B-B
(END VIEW OF TRAFFIC RAILING END TRANSITION)
(Approach Slab shown, Retaining Wall Junction Slab similar)




VIEW C-C
RAILING END TRANSITION
(Guardrail Not Shown For Clarity)

NOTES:

1. Begin placing Railing Bars 5T and 5X on Approach Slab at the railing end and proceed toward Begin or End Bridge to avoid conflict with guardrail bolt holes. If required, adjustments to the bar spacing for Bars 5T and 5X shall be made immediately adjacent to Begin or End Bridge. Cut, shift and rotate Bars 5T and 5X as required to maintain cover in Railing End Transition.
2. Omit Railing End Transition and Guardrail if Concrete Traffic Railing is used beyond the Approach Slab or Retaining Wall. See Structures Plans, Plan and Elevation Sheet and Roadway Plans. If Taper and Railing End Transition is omitted, extend Typical Section to end of the Approach Slab or limiting station on Retaining Wall, and space Bars 5T and 5X at 1'-0" (Typ.)

CROSS REFERENCE:
For location of Section A-A, View B-B and View C-C, see Sheet 1.

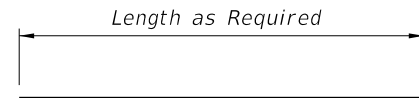
10/8/2020 9:24:10 AM

LAST REVISION 11/01/17	REVISION	DESCRIPTION:	 FY 2021-22 STANDARD PLANS	TRAFFIC RAILING - (42" VERTICAL SHAPE)	INDEX 521-422	SHEET 2 of 3
---------------------------	----------	--------------	--	--	------------------	-----------------

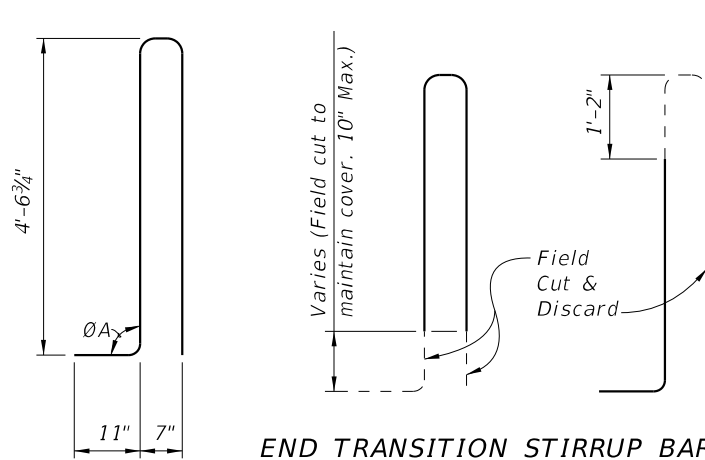
CONVENTIONAL REINFORCING STEEL BENDING DIAGRAMS

BILL OF REINFORCING STEEL		
MARK	SIZE	LENGTH
S	5	As Reqd.
T	5	10'-8"
X	5	6'-9"

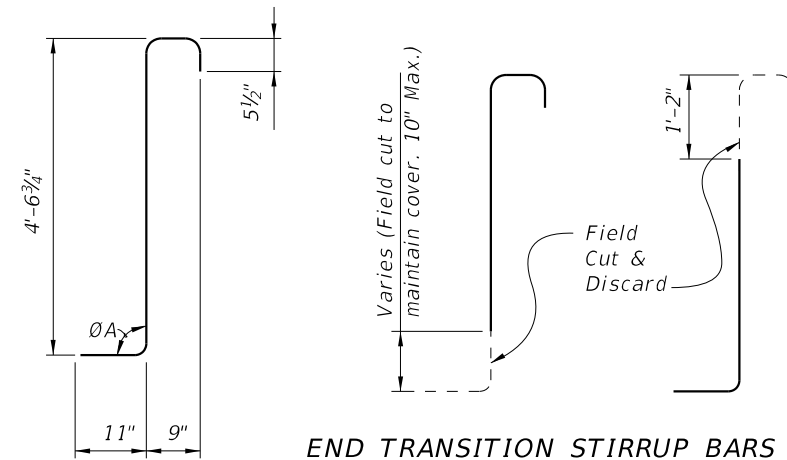
ROADWAY CROSS-SLOPE	ØA	
	LOW GUTTER	HIGH GUTTER
0% to 2%	90°	90°
2% to 6%	87°	83°
6% to 10%	84°	96°



BAR 5S



END TRANSITION STIRRUP BARS 5T
To Be Field Cut (7 of each required per Railing End Transition)



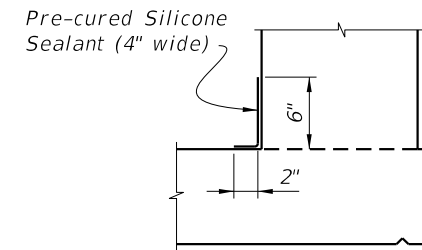
END TRANSITION STIRRUP BARS 5X
To Be Field Cut (7 of each required per Railing End Transition)

STIRRUP BAR 5T

STIRRUP BAR 5X

REINFORCING STEEL NOTES:

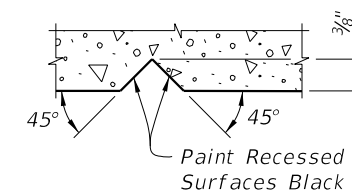
- All bar dimensions in the bending diagrams are out to out.
- The 4'-6 3/4" vertical dimension shown for Bars 5T and 5X is based on a bridge deck with a 6" thick x 6' wide raised sidewalk at low side of deck, 2% deck cross slope and a counter 2% raised sidewalk cross slope. If the raised sidewalk thickness, width or cross slope vary from the above amounts, adjust this dimension accordingly to achieve a 6" minimum embedment into the bridge deck. See Structures Plans, Superstructure and Approach Slab Sheets.
- The reinforcement for the railing on a retaining wall shall be the same as detailed above with ØA = 90°.
- All reinforcing steel at the open joints shall have a 2" minimum cover.
- Bars 5S may be continuous or spliced at the construction joints. Bar splices for Bars 5S shall be a minimum of 2'-2".
- The Contractor may utilize Welded Wire Reinforcement (WWR) when approved by the Engineer. WWR must consist of Deformed wire meeting the requirements of Specification Section 931.



DETAIL "A" - SECTION AT INTERMEDIATE OPEN JOINT

INTERMEDIATE JOINT SEAL NOTES:

- At Intermediate Open Joints, seal the lower 6" portion of the open joint with Pre-cured Silicone Sealant in accordance with Specification Section 932.
- Apply sealant prior to any Class V finish coating and remove all curing compound and loose material from the surface prior to application of bonding agent.
- The cost of the Pre-cured Silicone Sealant shall be included in the Contract Unit Price for the Traffic Railing.



SECTION THRU RECESSED "V" GROOVE TO FORM INSCRIBED LETTERS AND FIGURES

ESTIMATED TRAFFIC RAILING QUANTITIES		
ITEM	UNIT	QUANTITY
Concrete	CY/LF	0.145
Reinforcing Steel	LB/LF	30.68

(The above quantities are based on a 6" thick x 6' wide raised sidewalk at low side of deck, 2% deck cross slope and counter 2% sidewalk cross slope)

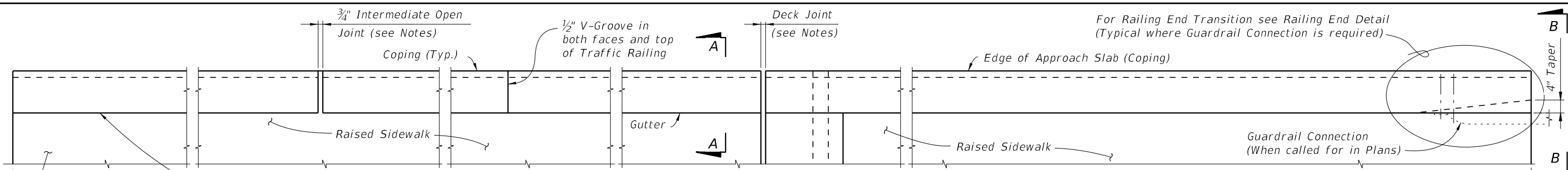
10/01/2020 9:24:12 AM

LAST REVISION 11/01/17	DESCRIPTION:
---------------------------	--------------

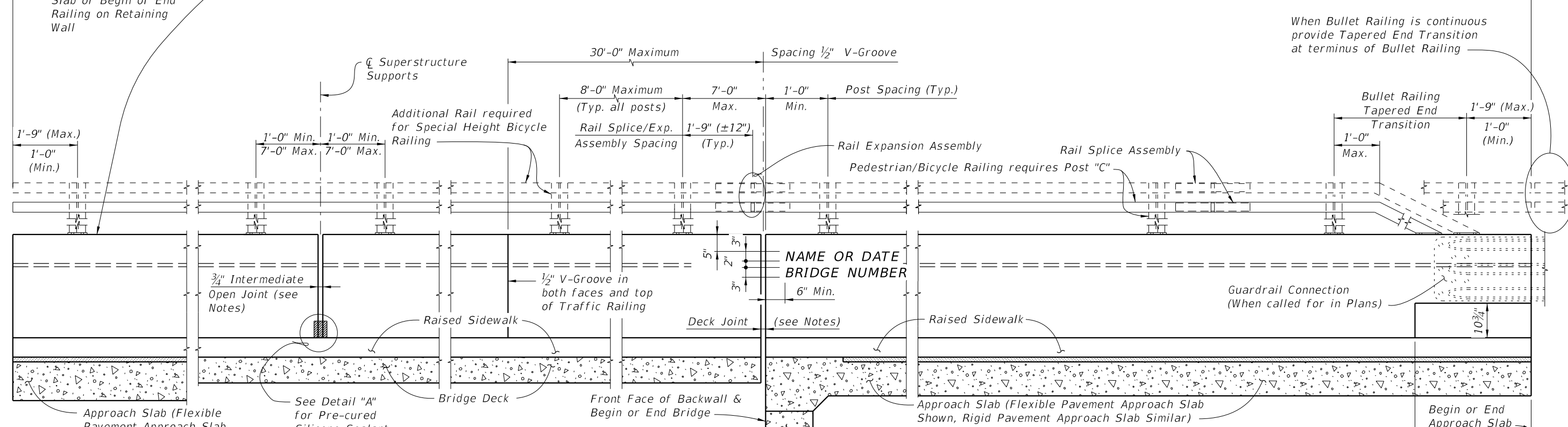

**FY 2021-22
STANDARD PLANS**

TRAFFIC RAILING - (42" VERTICAL SHAPE)

INDEX 521-422	SHEET 3 of 3
------------------	-----------------



PLAN
 (Rails, Posts and Reinforcing Steel not shown for clarity)




ELEVATION OF INSIDE FACE OF RAILING
 (Reinforcing Steel not shown for clarity)

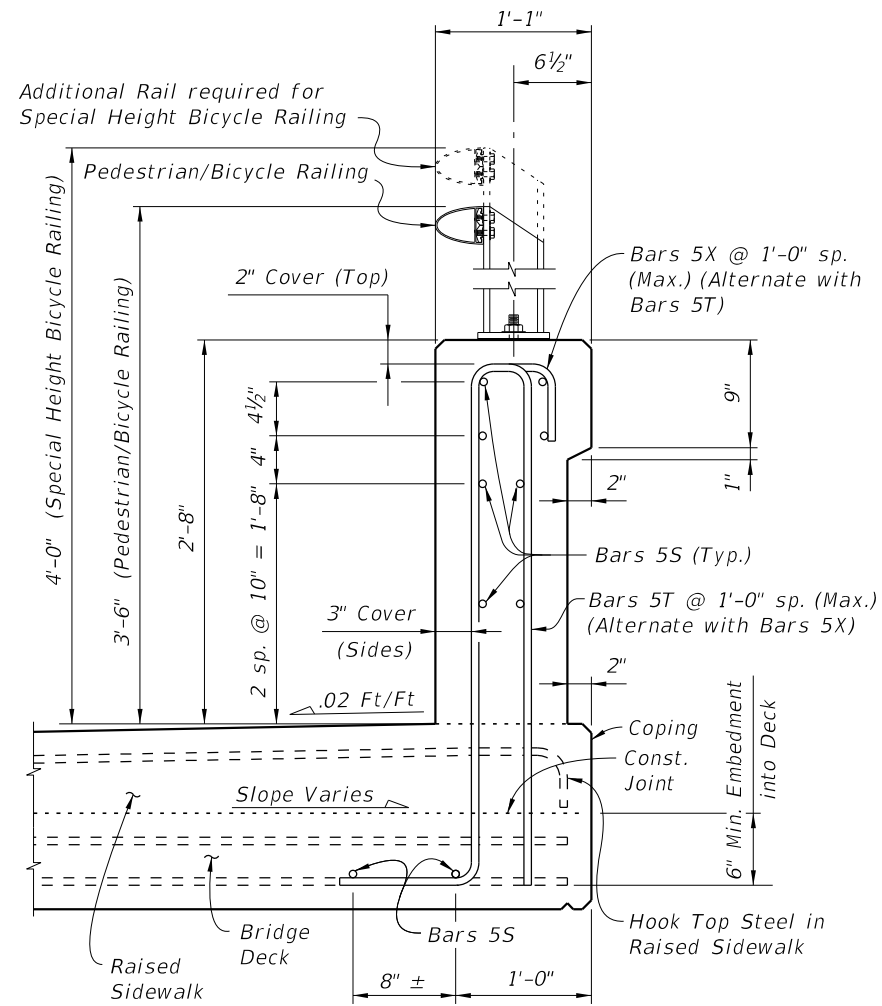
TRAFFIC RAILING NOTES

1. Materials: See Structures Plans, General Notes
2. Guardrail Connection Details: See Index 536-001
3. Traffic Railings may be constructed perpendicular to the sidewalk surface. If an adjoining railing is constructed plumb, transition the end of the Traffic Railing from perpendicular to plumb over a minimum distance of 20'-0". The cost of all modifications will be at the Contractor's expense.
4. Name, Date & Bridge Number: Place the Name and Bridge Number on the Traffic Railing on the driver's right side when approaching the bridge. Place the Date on the driver's left side when approaching the bridge. Use the Name as shown in the General Notes of the Structures Plans. The Date is the year the bridge is completed. For a widening when the existing railing is removed, use both the date on the removed rail and the year of the widening. Form letters and figures with 3/8" V-Grooves using preformed letters and figures. Black plastic letters and figures 3" tall may be used, if approved by the Engineer.
5. Open Joints: See the Superstructure Plans, Approach Slab and Retaining Wall Sheets for Deck Joint dimensions and orientation. Provide Open Railing Joints matching the dimensions of the Deck Joint at Deck Expansion Joint locations.
 - A. For treatment of railings on skewed bridges see Sheet 3.
6. Open Joints: Provide 3/4" Open Joints at:
 - A. Superstructure supports where the slab is continuous.
 - B. At ends of approach slabs when adjacent to retaining walls and at expansion joints on retaining wall junction slabs.
7. V-Grooves: Construct 1/2" V-Grooves plumb. Space V-Grooves equally between 3/4" Open Joints and/or Deck Joints and the at V-Groove locations on the Retaining Wall footing/junction slabs.
8. Barrier Delineators: Install Barrier Delineators on top of the Traffic Railing 2" from the face of the traffic side in accordance with Specification Section 705. Match the Barrier Delineator to the color (white or yellow) of the near edgeline.
9. For embedded conduit and junction boxes see Index 630-010.
10. For Traffic Railings with Pedestrian/Bicycle Bullet Railings see Index 515-021 and 515-022 for Notes, Details and post spacing.

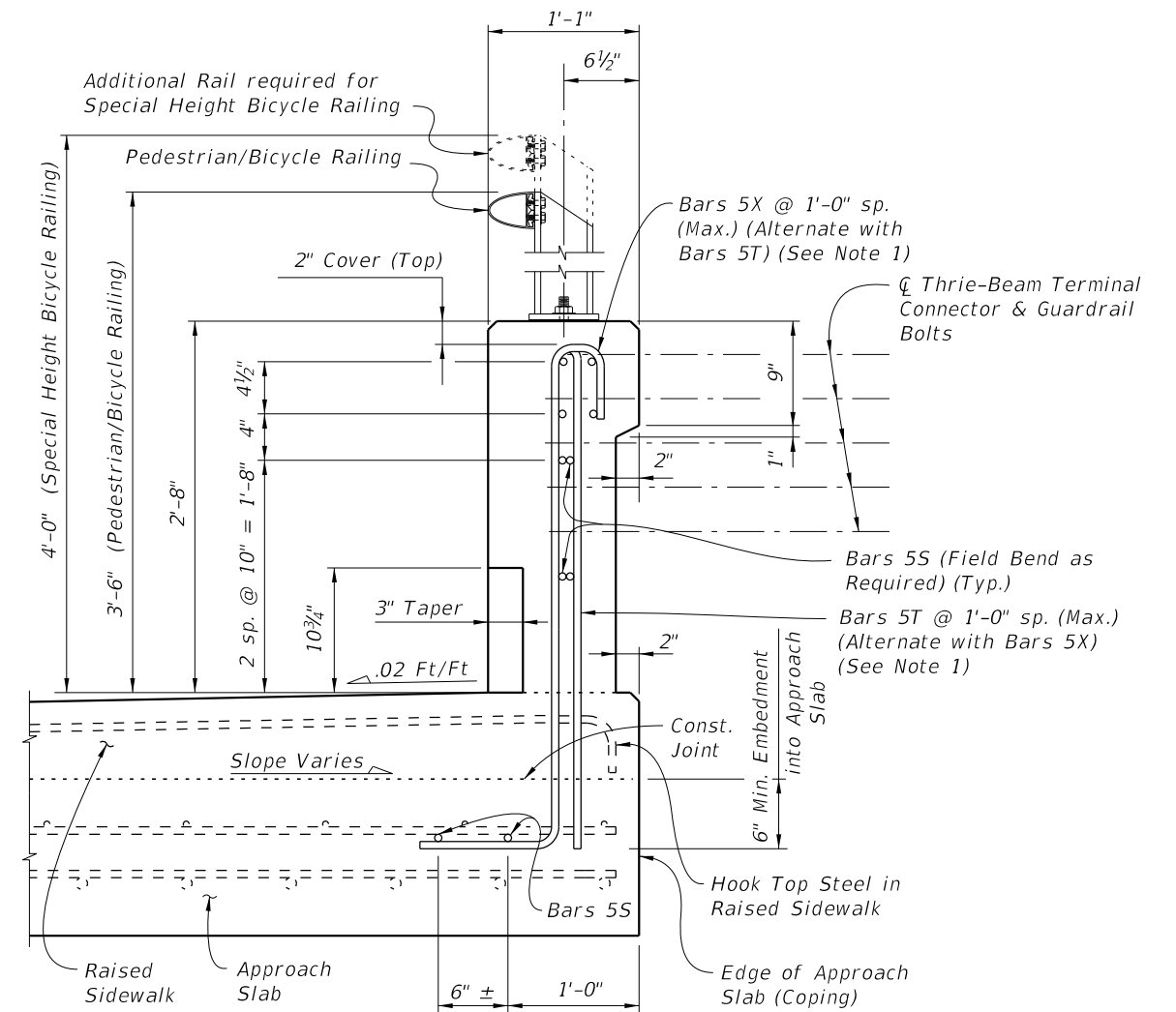
CROSS REFERENCE:
 For Section A-A and View B-B, see Sheet 2.
 For Detail "A" see Sheet 3.

SDATES

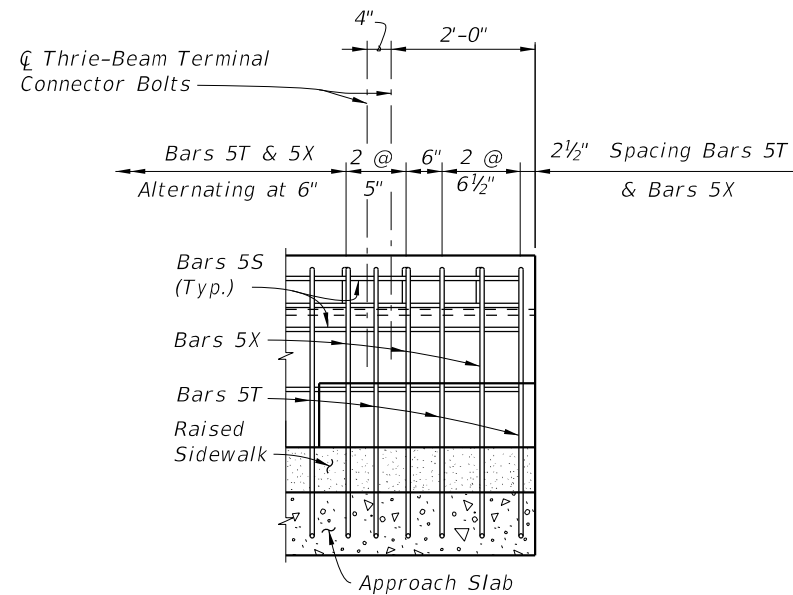
LAST REVISION 11/01/20	REVISION	DESCRIPTION:	 FY 2021-22 STANDARD PLANS	TRAFFIC RAILING - (32" VERTICAL SHAPE)	INDEX 521-423	SHEET 1 of 3
---------------------------	----------	--------------	--	---	-------------------------	------------------------



SECTION A-A
TYPICAL SECTION THRU TRAFFIC RAILING
 (Section Thru Bridge Deck shown)



VIEW B-B
APPROACH SLAB END VIEW
OF TRAFFIC RAILING



RAILING END DETAIL
 (Guardrail Not Shown For Clarity)


CROSS REFERENCE:
 For location of Section A-A and View B-B
 see Sheet 1.

NOTE: For Bullet Railing Details,
 see Index 515-022.

NOTES:

1. Begin placing Railing Bars 5T and 5X on Approach Slab at the railing end and proceed toward Begin or End Bridge to avoid conflict with guardrail bolt holes. If required, adjustments to the bar spacing for Bars 5T and 5X shall be made immediately adjacent to Begin or End Bridge. Cut, shift and rotate Bars 5T and 5X as required to maintain cover in Railing End Transition.
2. Omit Railing End Transition and Guardrail if Concrete Traffic Railing is used beyond the Approach Slab or Retaining Wall. See Structures Plans, Plan and Elevation Sheet and Roadway Plans. If Taper and Railing End Transition is omitted, extend Typical Section to end of the Approach Slab or limiting station on Retaining Wall, and space Bars 5T and 5X at 1'-0" (Typ.)

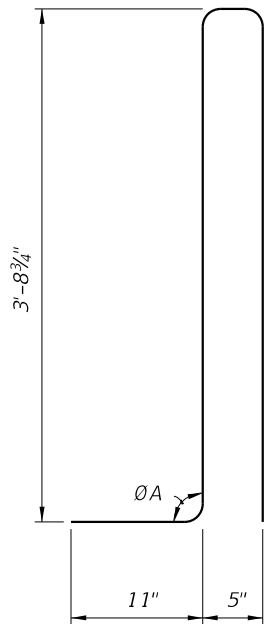
10/8/2020 9:24:16 AM

LAST REVISION 11/01/17	REVISION	DESCRIPTION:	 FY 2021-22 STANDARD PLANS	TRAFFIC RAILING - (32" VERTICAL SHAPE)	INDEX 521-423	SHEET 2 of 3
---------------------------	----------	--------------	--	---	-------------------------	------------------------

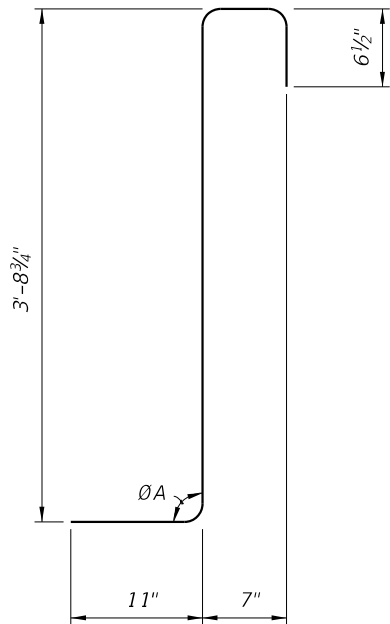
CONVENTIONAL REINFORCING STEEL BENDING DIAGRAMS

BILL OF REINFORCING STEEL		
MARK	SIZE	LENGTH
S	5	As Req'd.
T	5	9'-0"
X	5	5'-10"

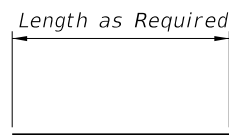
ROADWAY CROSS-SLOPE	ØA	
	LOW GUTTER	HIGH GUTTER
0% to 2%	90°	90°
2% to 6%	87°	93°
6% to 10%	84°	96°



STIRRUP BAR 5T



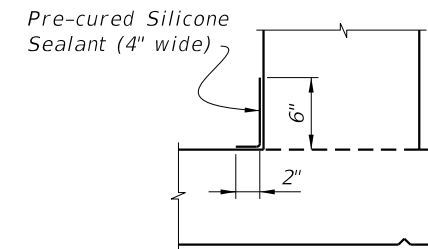
STIRRUP BAR 5X



BAR 5S

REINFORCING STEEL NOTES:

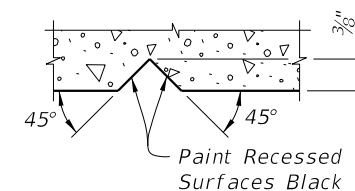
1. All bar dimensions in the bending diagrams are out to out.
2. The 3'-8 3/4" vertical dimensions shown for Bars 5T and 5X are based on a bridge deck with a 6" thick x 6' wide raised sidewalk at low side of deck, 2% deck cross slope and a counter 2% raised sidewalk cross slope. If the raised sidewalk thickness, width or cross slopes vary from the above amounts, adjust these vertical dimensions accordingly to achieve a 6" minimum embedment into the bridge deck.
3. The reinforcement for the railing on a Retaining Wall shall be the same as detailed with ØA = 90°.
4. All reinforcing steel at the open joints shall have a 2" minimum cover.
5. Bars 5S may be continuous or spliced at the construction joints. Bar splices for Bars 5S shall be a minimum of 2'-2".
6. The Contractor may utilize Welded Wire Reinforcement (WWR) when approved by the Engineer. WWR must consist of Deformed wire meeting the requirements of Specification Section 931.



DETAIL "A" - SECTION AT INTERMEDIATE OPEN JOINT

INTERMEDIATE JOINT SEAL NOTES:

1. At Intermediate Open Joints, seal the lower 6" portion of the open joint with Pre-cured Silicone Sealant in accordance with Specification Section 932.
2. Apply sealant prior to any Class V finish coating and remove all curing compound and loose material from the surface prior to application of bonding agent.
3. The cost of the Pre-cured Silicone Sealant shall be included in the Contract Unit Price for the Traffic Railing.



SECTION THRU RECESSED "V" GROOVE TO FORM INSCRIBED LETTERS AND FIGURES

ESTIMATED TRAFFIC RAILING QUANTITIES		
ITEM	UNIT	QUANTITY
Concrete	CY/LF	0.095
Reinforcing Steel	LB/LF	25.90

(The above quantities are based on a 6" thick x 6' wide raised sidewalk at low side of deck, 2% deck cross slope and counter 2% sidewalk cross slope.)

10/01/2020 9:24:18 AM

LAST REVISION 07/01/13	DESCRIPTION:
---------------------------	--------------

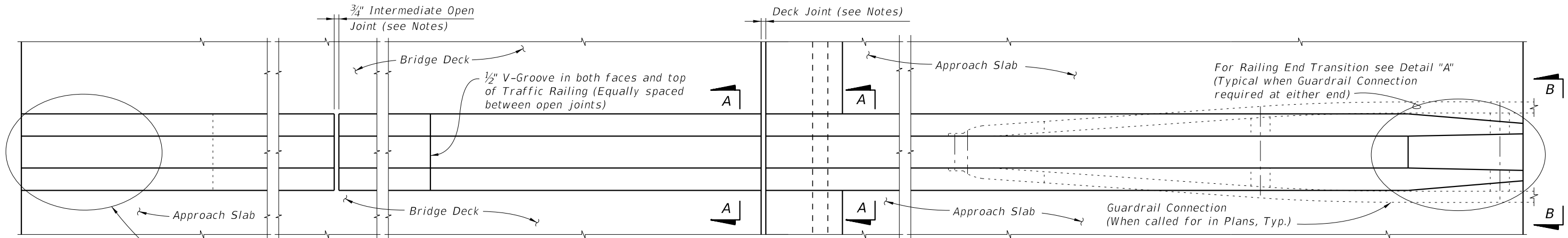


FY 2021-22
STANDARD PLANS

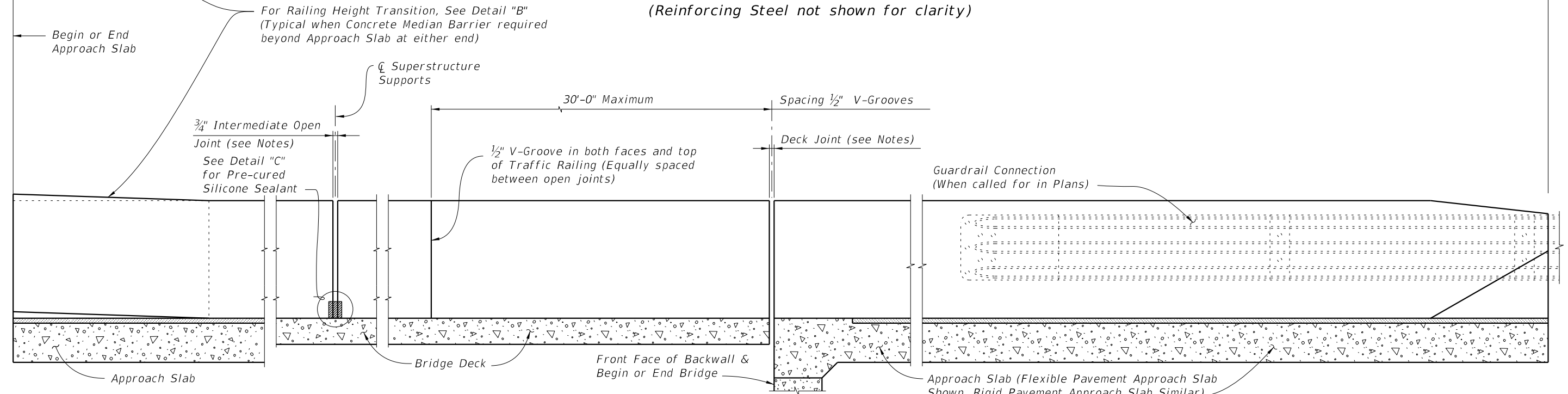
TRAFFIC RAILING - (32" VERTICAL SHAPE)

INDEX
521-423

SHEET
3 of 3



PLAN
(Reinforcing Steel not shown for clarity)




ELEVATION
(Reinforcing Steel not shown for clarity)

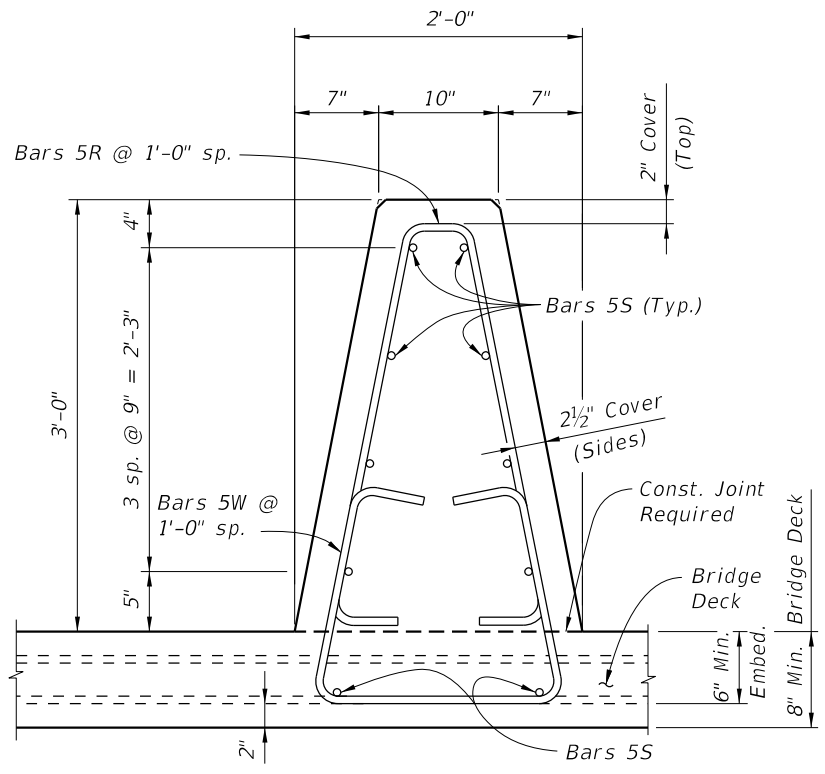
CROSS REFERENCE:
For Section A-A, View B-B, Detail "A" and Detail "B" see Sheet 2.
For Detail "C" see Sheet 4.

TRAFFIC RAILING NOTES

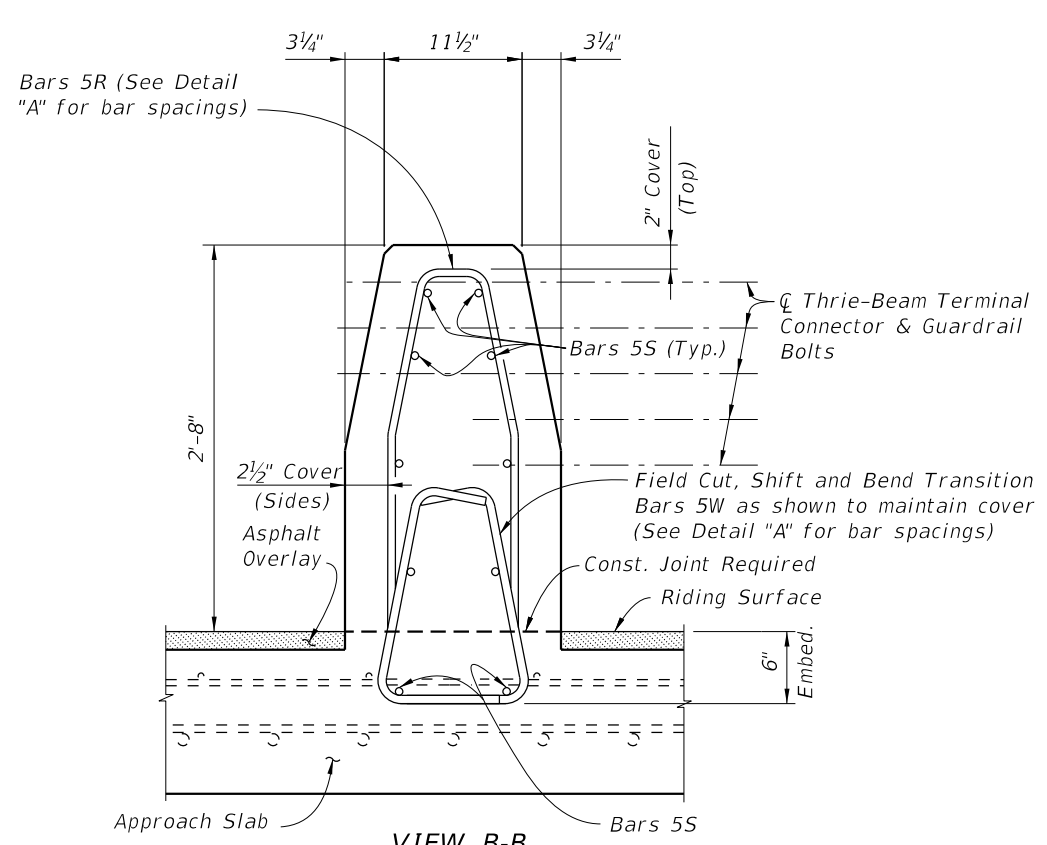
1. Materials: See Structures Plans, General Notes
2. Guardrail Connection Details: See Index 536-001
3. Superelevation: Traffic Railings on Superelevated bridges may be constructed perpendicular to the roadway surface. If an adjoining railing is constructed plumb, transition the end of the Traffic Railing from perpendicular to plumb over a minimum distance of 20'-0". The cost of all modifications will be at the Contractor's expense.
4. Open Joints: See the Superstructure Plans, Approach Slab and Retaining Wall Sheets for Deck Joint dimensions and orientation. Provide Open Railing Joints matching the dimensions of the Deck Joint at Deck Expansion Joint locations.
 - A. For treatment of railings on skewed bridges see Sheet 3.
5. Open Joints: Provide 3/4" Open Joints at:
 - A. Superstructure supports where the slab is continuous.
 - B. At ends of approach slabs when adjacent to retaining walls and at expansion joints on retaining wall junction slabs.
6. V-Grooves: Construct 1/2" V-Grooves plumb. Space V-Grooves equally between 3/4" Open Joints and/or Deck Joints.
7. Barrier Delineators: Install Barrier Delineators on top of the Traffic Railing along the centerline in accordance with Specification Section 705. Match the Barrier Delineator to the color (white or yellow) of the near edgeline.
8. Traffic Railing Transitions: see the Plans for type and location
 - A. Transition to guardrail: see Detail "A".
 - B. Transition to 38" Concrete Median Barrier: see Detail "B".
9. See Superstructure Plans for drainage slot locations and size (when required). See Index 521-427 Sheet 5 for details.
10. For embedded conduit and junction boxes see Index 630-010.

SDATES

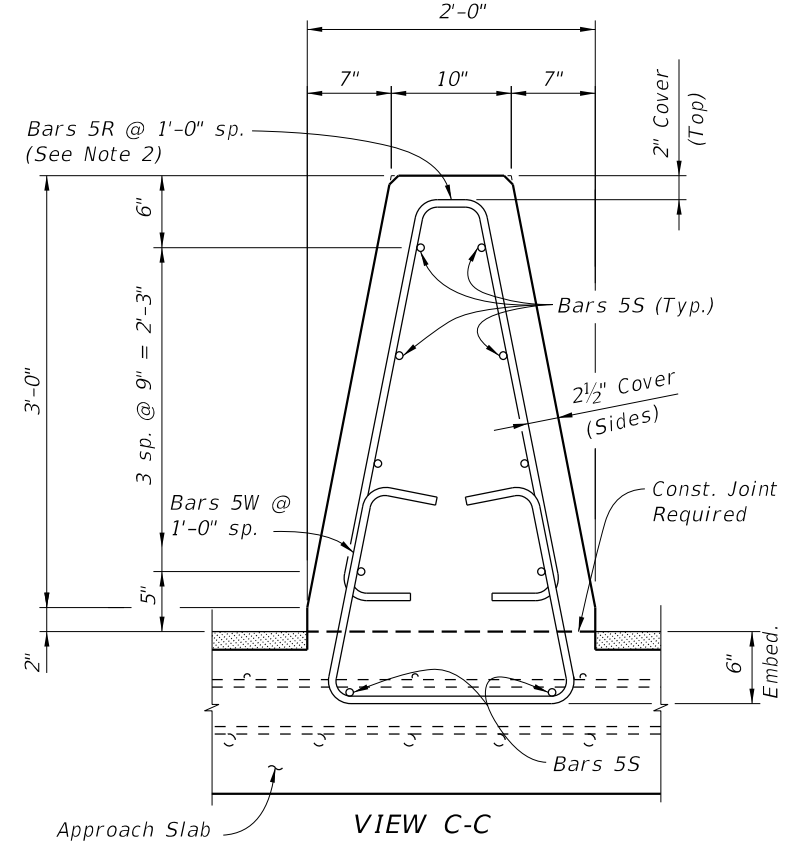
LAST REVISION 11/01/20	REVISION	DESCRIPTION:	 FY 2021-22 STANDARD PLANS	TRAFFIC RAILING - (MEDIAN 36" SINGLE-SLOPE)	INDEX 521-426	SHEET 1 of 4
---------------------------	----------	--------------	--	--	-------------------------	------------------------



SECTION A-A
TYPICAL SECTION THRU TRAFFIC RAILING
 (SECTION THRU BRIDGE DECK SHOWN - SECTION THRU APPROACH SLAB SIMILAR)



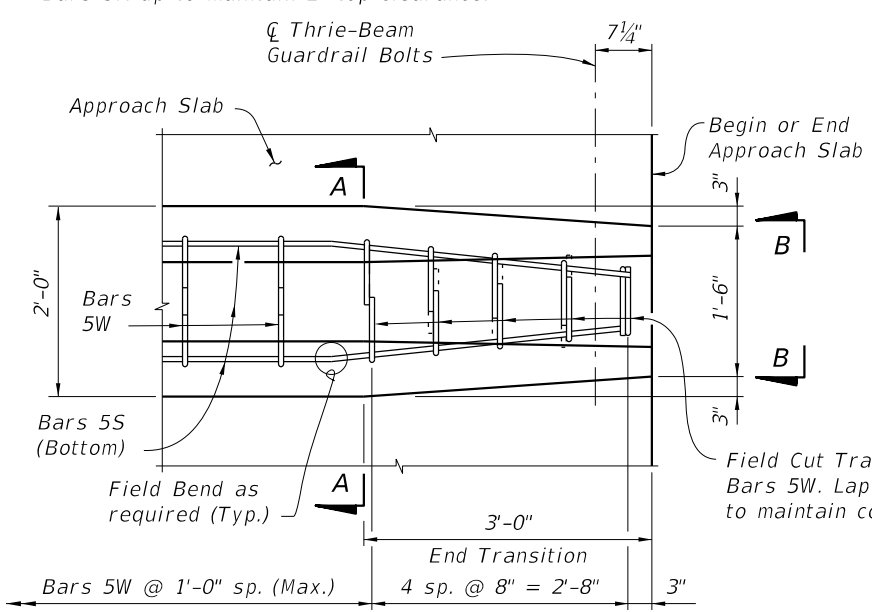
VIEW B-B
END TRANSITION



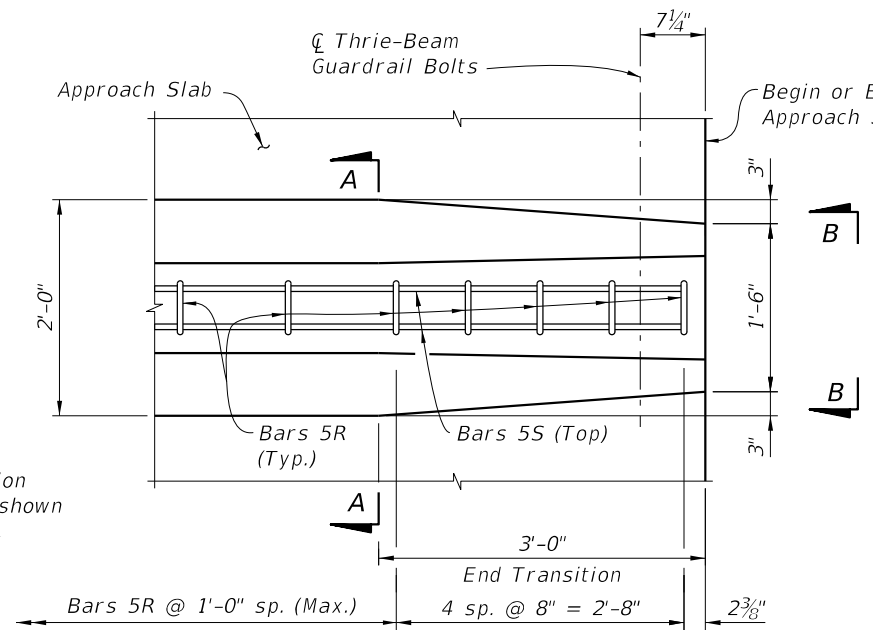
VIEW C-C
HEIGHT TRANSITION

NOTES:

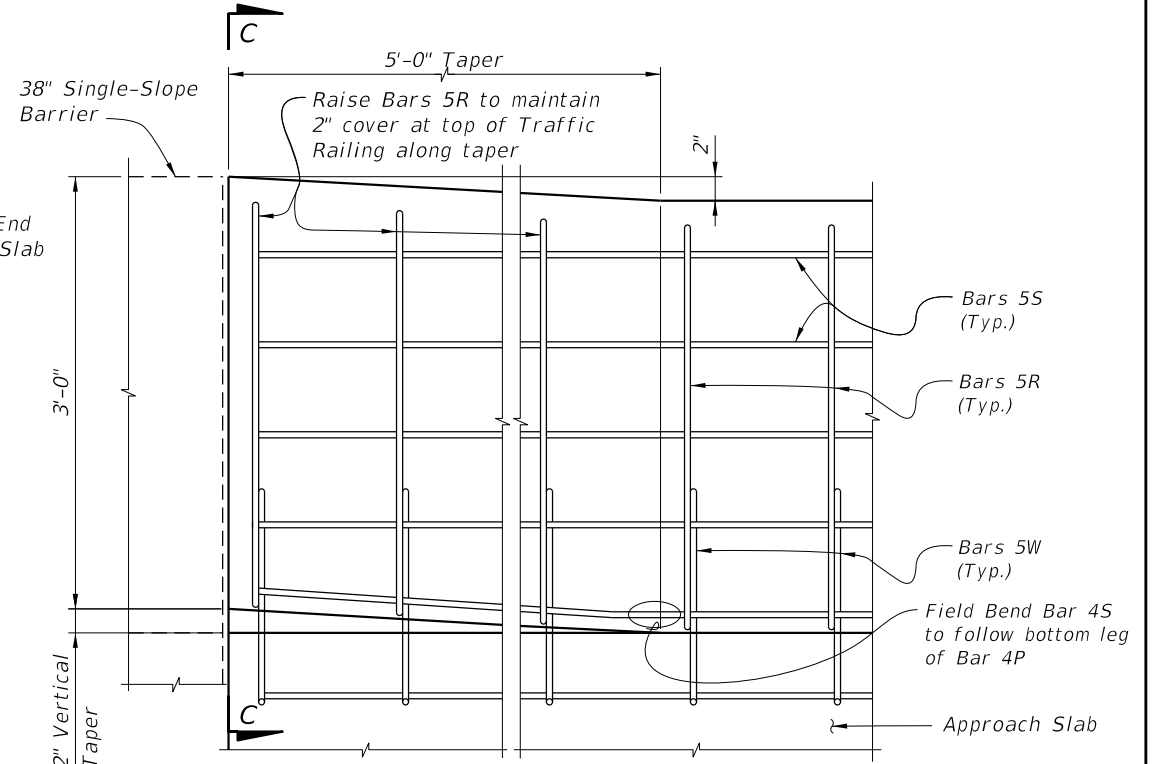
1. When guardrail approaches are shown in the plans, begin placing Railing Bars 5R and 5W on Approach Slab at the railing end and proceed toward Begin or End Bridge to avoid conflict with guardrail bolt holes. Cut, bend and lap bars as shown to maintain cover. If required, adjustments to the bar spacing for Bars 5R and 5W shall be made immediately adjacent to Begin or End Bridge.
2. When a Concrete Barrier is used beyond the Approach Slab form a 5'-0" long Height Transition and raise Bars 5R up to maintain 2" top clearance.



PLAN - Railing End Transition
 (Showing Bars 5W and 5S)



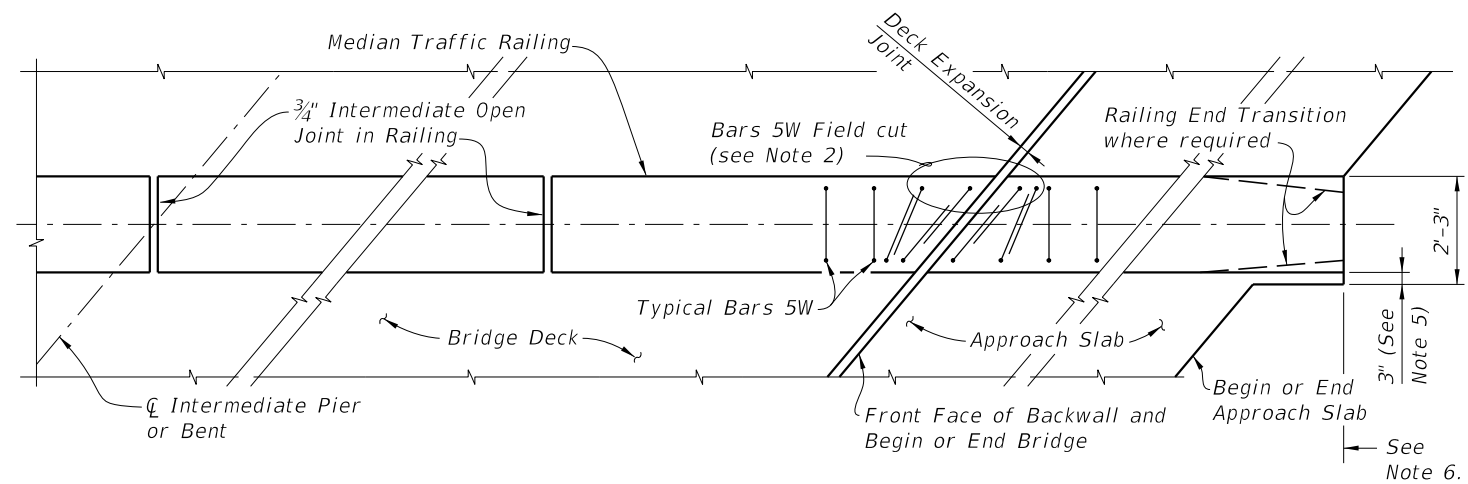
PLAN - Railing End Transition
 (Showing Bars 5R and 5S)



DETAIL "B"
ELEVATION - RAILING HEIGHT TRANSITION
 (Showing Transition to 38" Single-Slope Barrier)

10/8/2020 9:24:23 AM

LAST REVISION 11/01/17	REVISION	DESCRIPTION:		FY 2021-22 STANDARD PLANS	TRAFFIC RAILING - (MEDIAN 36" SINGLE-SLOPE)	INDEX 521-426	SHEET 2 of 4
---------------------------	----------	--------------	--	------------------------------	---	------------------	-----------------




**PARTIAL PLAN VIEW OF BRIDGE DECK AND APPROACH SLAB WITH
MEDIAN TRAFFIC RAILING**

NOTES:

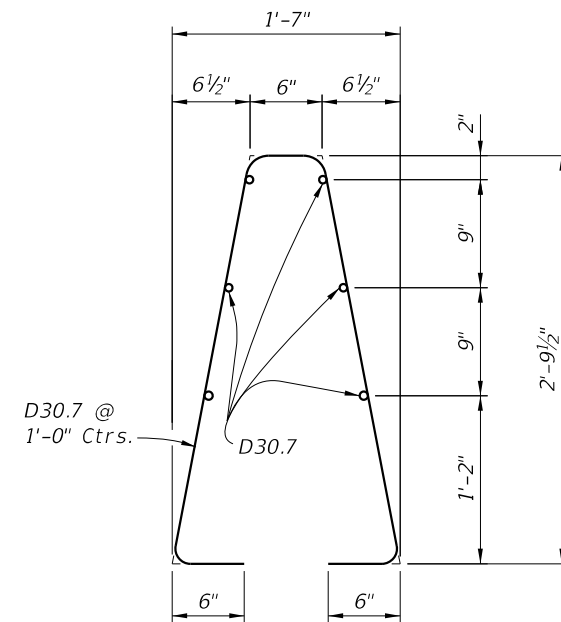
- 1) Median Traffic Railing reinforcement vertical Bars 5W may be shifted up to 1" (Max.) and rotated up to 10 degrees as required to allow proper placement.
- 2) Transition Stirrup Bars 5W shall be used as required at railing ends adjacent to expansion joints to facilitate placement of bars in acute corners. Place Transition Bars 5W in a fan pattern to maintain spacing. Rotate bars in 10° (Max.) increments as required.
- 3) Median Traffic Railing ends at deck expansion joints shall follow the deck joint with allowance for joint movement. See Structures Plans, Superstructure and Approach Slab Sheets for Details.
- 4) 3/4" Intermediate Open Joints and V-Grooves in railing shall be placed perpendicular or radial to the ϕ of the median railing. See Structures Plans, Superstructure and Approach Slab Sheets for locations.
- 5) At begin or end approach slab extend slab at the median railing ends 3" (open side) as shown to provide a base for casting of the railing.
- 6) Work this Sheet with Approach Slab Indexes as applicable.
- 7) Deck Expansion Joint at begin or end bridge shown. Deck Expansion Joints at ϕ Pier or Intermediate Bents are similar.
- 8) Partial Plan Views shown are intended as guides only. See Structures Plans, Superstructure and Approach Slab Sheets for skew angles, joint orientation, dimensions and details.
- 9) If Welded Wire Reinforcement is used in lieu of conventional reinforcement, placement of the WWR vertical elements shall be similar to those shown above. Clipping of horizontal elements to facilitate placement shall be minimized where possible. Where clipping is required, supplement horizontal elements by lap splicing with deformed bars having an equivalent area of steel.

10/8/2020 9:24:25 AM

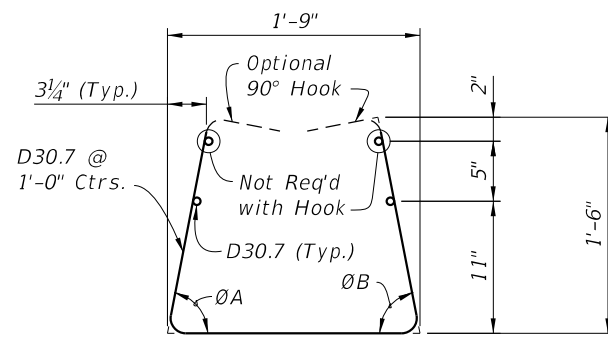
LAST REVISION 11/01/16	REVISION	DESCRIPTION:	 FY 2021-22 STANDARD PLANS	TRAFFIC RAILING - (MEDIAN 36" SINGLE-SLOPE)	INDEX 521-426	SHEET 3 of 4
------------------------------	----------	--------------	---	--	-------------------------	------------------------

ALTERNATE REINFORCING STEEL (WWR) DETAILS

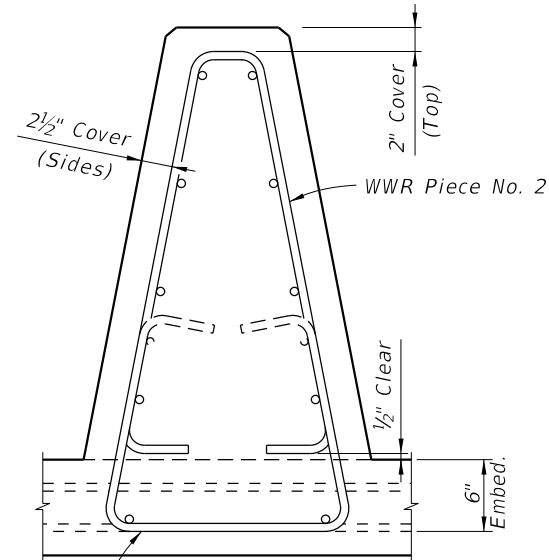
CONVENTIONAL REINFORCING STEEL BENDING DIAGRAMS



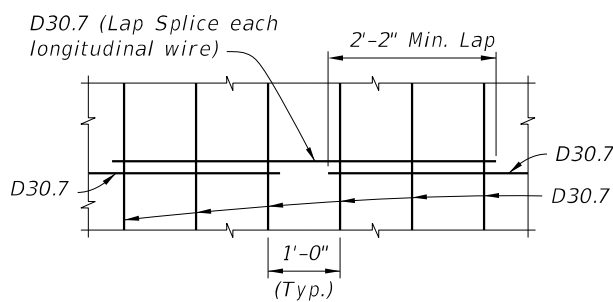
WWR Piece No. 2



WWR Piece No. 1



WWR Piece No. 1 SECTION A-A



SPLICE DETAIL (Between WWR Sections)

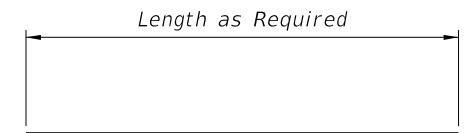
WELDED WIRE REINFORCEMENT NOTES:

- At the option of the Contractor deformed Welded Wire Reinforcement (WWR) may be utilized in lieu of all Bars 5R, 5S and 5W. WWR must meet the requirements of Specification Section 931.
- WWR at Railing End Transition shall be field bent as required (Pieces 1 & 2) to maintain cover. The bottom of Piece 1 shall be cut to allow overlap.
- Place WWR panels so as to minimize the end overhang of longitudinal wires at Railing Ends and Open Joints. Overhangs greater than 6" are not permitted.

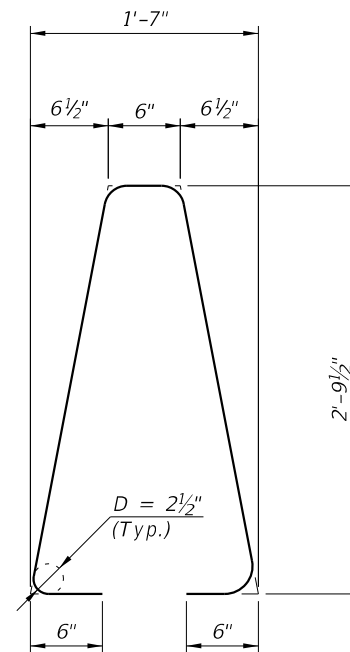
ROADWAY CROSS-SLOPE	ON SLOPE		AT CROWN	
	∅A	∅B	∅A	∅B
0% to 2%	79°	79°	79°	79°
>2% to 6%	81°	77°	79°	79°
>6% to 10%	84°	74°	79°	79°

∅A and ∅B shall be 79° if Contractor elects to place railing perpendicular to the deck, and approach slabs.

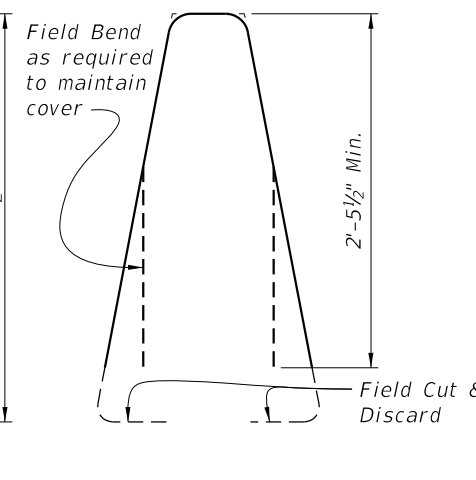
BILL OF REINFORCING STEEL		
MARK	SIZE	LENGTH
R	5	7'-2"
S	5	As Req'd.
W	5	5'-10"



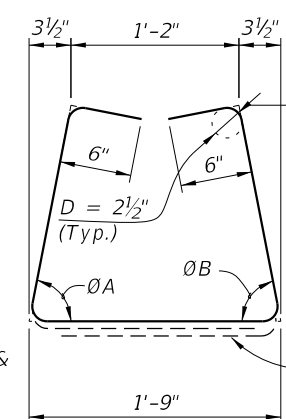
BAR 5S



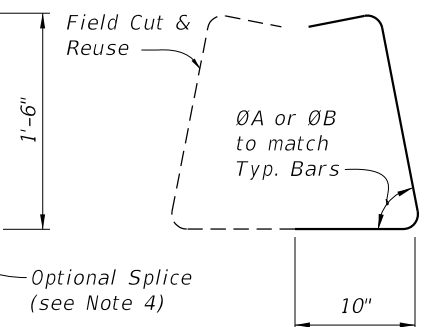
STIRRUP BAR 5R



TRANSITION STIRRUP BAR 5R (5 required per Railing End Transition)



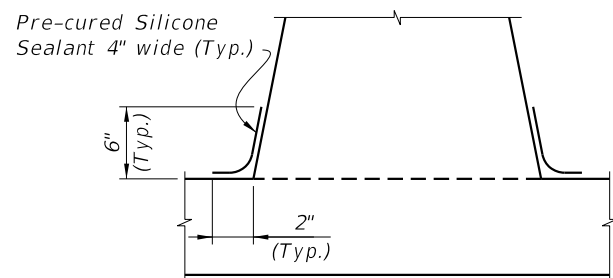
STIRRUP BAR 5W



TRANSITION STIRRUP BAR 5W To Be Field Cut (10 required per Railing End Transition)

REINFORCING STEEL NOTES:

- All bar dimensions in the bending diagrams are out to out.
- All reinforcing steel at the open joints shall have a 2" minimum cover.
- Bars 5S may be continuous or spliced at the construction joints. Bar splices for Bars 5S shall be a minimum of 2'-2".
- At the Contractor's option, Bars 5W may be fabricated as a two piece bar with a 1'-2" lap splice of the bottom legs.



DETAIL "C" - SECTION AT INTERMEDIATE OPEN JOINT

INTERMEDIATE JOINT SEAL NOTES:

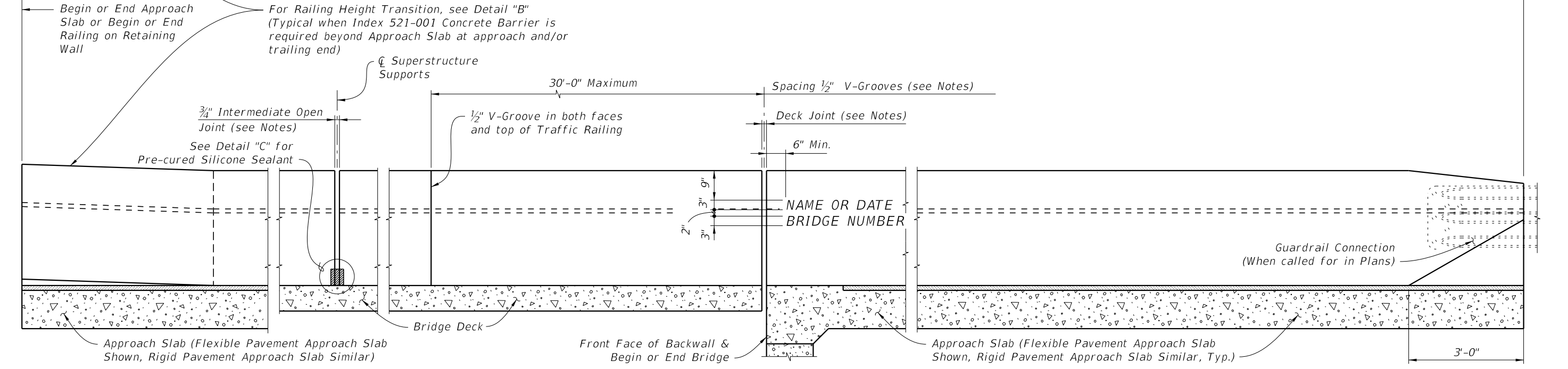
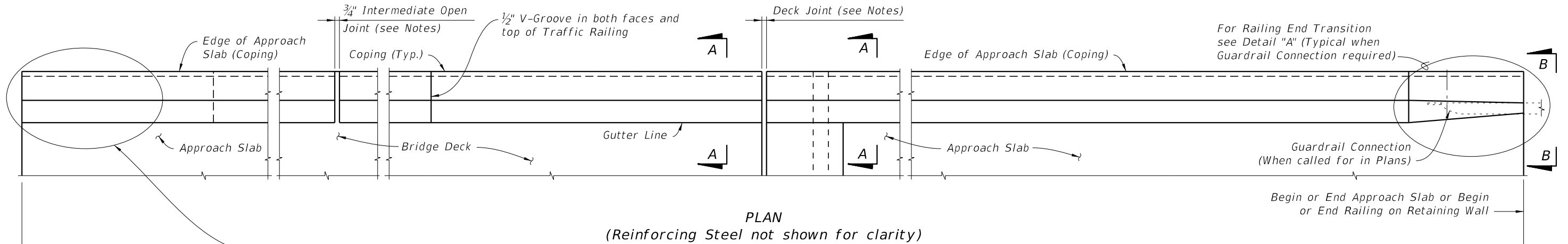
- At Intermediate Open Joints, seal the lower 6" portion of the open joint with Pre-cured Silicone Sealant in accordance with Specification Section 932.
- Apply sealant prior to any Class V finish coating and remove all curing compound and loose material from the surface prior to application of bonding agent.
- Include the cost of the Pre-cured Silicone Sealant in the Contract Unit Price for the Traffic Railing.

ESTIMATED TRAFFIC RAILING QUANTITIES		
ITEM	UNIT	QUANTITY
Concrete	CY/LF	0.157
Reinforcing Steel	LB/LF	23.99

(The above quantities are based on a crowned roadway, with a 2% cross slope)

10/01/2020 9:24:27 AM

LAST REVISION 01/01/18	DESCRIPTION:
---------------------------	--------------




ELEVATION OF INSIDE FACE OF RAILING
 (Reinforcing Steel not shown for clarity)
 (Railing on Bridge Deck and Approach Slab shown, Railing on Retaining Wall similar)

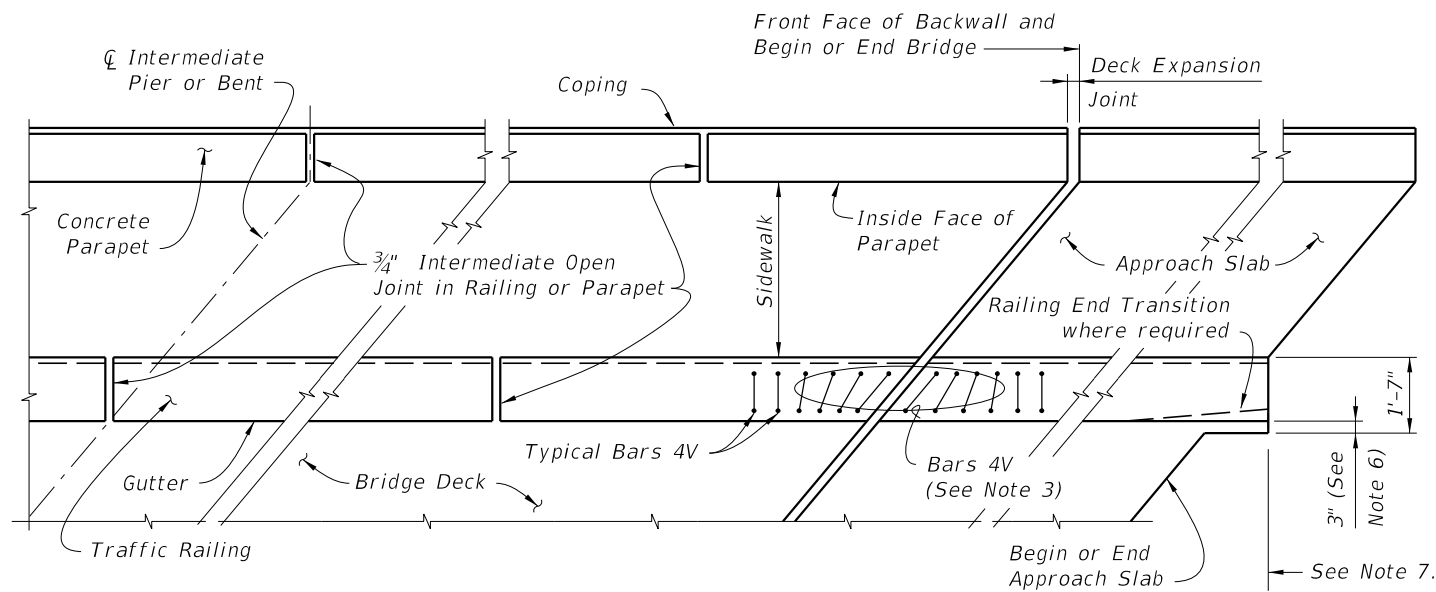
CROSS REFERENCE:
 For Section A-A, View B-B,
 Detail "A" and Detail "B",
 see Sheet 2. For Detail "C",
 see Sheet 4.

TRAFFIC RAILING NOTES

1. Materials: See Structures Plans, General Notes
2. Guardrail Connection Details: See Index 536-001
3. Superelevation: Traffic Railings on Superelevated bridges may be constructed perpendicular to the roadway surface. If an adjoining railing is constructed plumb, transition the end of the Traffic Railing from perpendicular to plumb over a minimum distance of 20'-0". The cost of all modifications will be at the Contractor's expense.
4. Name, Date & Bridge Number: Place the Name and Bridge Number on the Traffic Railing on the driver's right side when approaching the bridge. Place the Date on the driver's left side when approaching the bridge. Use the Name as shown in the General Notes of the Structures Plans. The Date is the year the bridge is completed. For a widening when the existing railing is removed, use both the date on the removed rail and the year of the widening. Form letters and figures with 3/8" V-Grooves using preformed letters and figures. Black plastic letters and figures 3" tall may be used, if approved by the Engineer.
5. Open Joints: See the Superstructure Plans, Approach Slab and Retaining Wall Sheets for Deck Joint dimensions and orientation. Provide Open Railing Joints matching the dimensions of the Deck Joint at Deck Expansion Joint locations.
 - A. For treatment of railings on skewed bridges see Sheet 3.
6. Open Joints: Provide 3/4" Open Joints at:
 - A. Superstructure supports where the slab is continuous.
 - B. At ends of approach slabs when adjacent to retaining walls and at expansion joints on retaining wall junction slabs.
7. V-Grooves: Construct 1/2" V-Grooves plumb. Space V-Grooves equally between 3/4" Open Joints and/or Deck Joints and the at V-Groove locations on the Retaining Wall footing/junction slabs.
8. Barrier Delineators: Install Barrier Delineators on top of the Traffic Railing 2" from the face of the traffic side in accordance with Specification Section 705. Match the Barrier Delineator to the color (white or yellow) of the near edgeline.
9. Traffic Railing Transitions:
 - A. Transition to guardrail: see Detail "A" and View B-B.
 - B. Transition to 38" Concrete Barriers: See Detail "B" and View C-C.
10. See Superstructure Plans for drainage slot locations and size (when required)
11. For embedded conduit and junction boxes see Index 630-010. For Traffic Railings with Pedestrian/Bicycle Bullet Railings see Index 515-021 and 515-022 for notes, details and post spacing.

SDATES

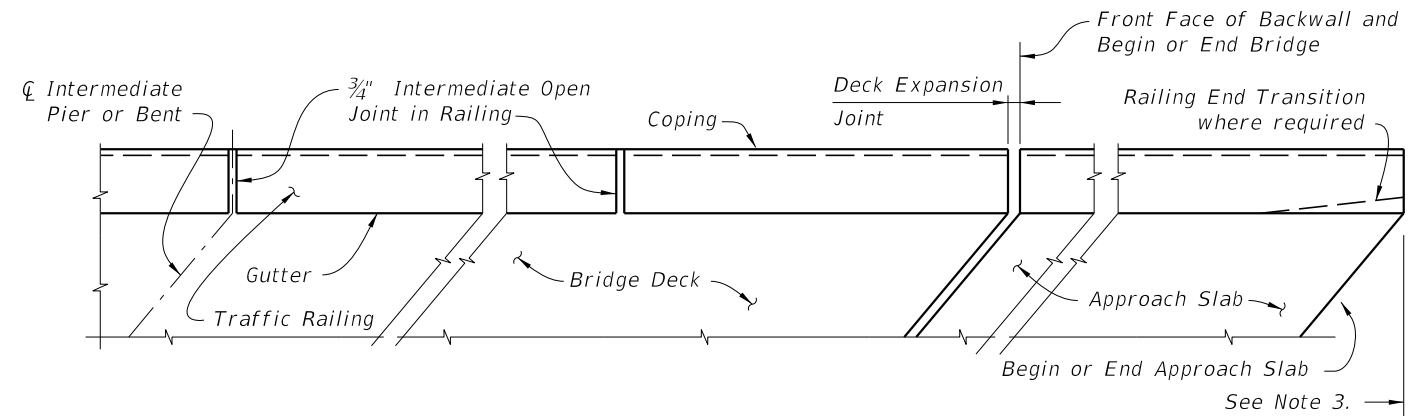
LAST REVISION 11/01/20	REVISION	DESCRIPTION:	 FY 2021-22 STANDARD PLANS	TRAFFIC RAILING - (36" SINGLE-SLOPE)	INDEX 521-427	SHEET 1 of 5
---------------------------	----------	--------------	--	---	-------------------------	------------------------



PARTIAL PLAN VIEW OF SKEWED BRIDGE DECK AND APPROACH SLAB WITH SIDEWALK, SINGLE-SLOPE TRAFFIC RAILING AND PEDESTRIAN/BICYCLE RAILING
INDEX 521-820 or 521-825, OTHER TRAFFIC RAILINGS SIMILAR

NOTES:

- 1) Concrete Parapet reinforcement is not effected by skew angle, see Index 521-820 for details.
- 2) Parapet expansion joint shall match the deck expansion joint which shall be turned perpendicular or radial to the gutter line. See Structures Plans, Superstructure Sheets for details.
- 3) Traffic Railing reinforcement vertical Bars 4V & 4P may be shifted up to 1" (Max.) and rotated up to 10 degrees as required to allow proper placement. Bars 4V adjacent to expansion joints shall be field adjusted to maintain clearance and spacing, extra Bars 4V will be required. Cut bottom horizontal portion of 4V Bars to maintain maximum horizontal length to each vertical leg being placed. Discard the remainder of the bar. Rotate cut bars to maintain clearance.
- 4) Railing ends at deck expansion joints shall follow the deck joint with allowance for joint movement. Expansion joint at the inside face of parapet shall be turned perpendicular or radial to this line. See Structures Plans, Superstructure and Approach Slab Sheets for details.
- 5) 3/4" Intermediate Open Joints and V-Grooves in railing and parapet shall be placed perpendicular or radial to the gutter line or inside face of parapet line. See Structures Plans, Superstructure Sheets for locations.
- 6) At begin or end approach slab extend slab at the railing ends 3" (gutter side or back face of railing as required) as shown to provide a base for casting of the railing. Field trim toe of Bars 4V by 1 inch as required to maintain concrete cover at edge of deck.
- 7) When Guardrail is shown on the approach, begin placing Railing Bars 4P and 4V on Approach Slab at the railing end and proceed toward Begin or End Bridge to ensure placement of guardrail bolt holes. If required, adjustments to the bar spacing for Bars 4P and 4V shall be made immediately adjacent to Begin or End Bridge.



PARTIAL PLAN VIEW OF SKEWED BRIDGE DECK AND APPROACH SLAB WITH SINGLE-SLOPE TRAFFIC RAILING, OTHER TRAFFIC RAILINGS SIMILAR


NOTES:

- 1) Railing expansion joint shall match the deck expansion joint which shall be turned perpendicular or radial to the gutter line. See Structures Plans, Superstructure Sheets for details.
- 2) 3/4" Intermediate Open Joints and 1/2" V-Grooves in railing shall be placed perpendicular or radial to the gutter line. See Structures Plans, Superstructure and Approach Slab Sheets for locations.
- 3) When Guardrail is shown on the approach, begin placing Railing Bars 4P and 4V on Approach Slab at the railing end and proceed toward Begin or End Bridge to ensure placement of guardrail bolt holes. If required, adjustments to the bar spacing for Bars 4P and 4V shall be made immediately adjacent to Begin or End Bridge.

GENERAL NOTES:

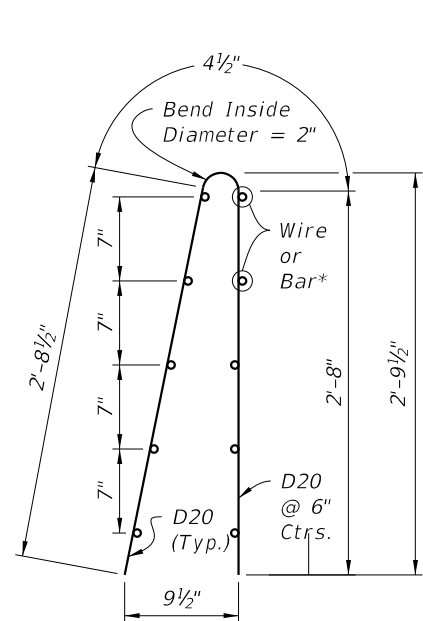
- 1) Work this Sheet with Traffic Railing, Pedestrian/Bicycle Railing, and Approach Slab Indexes as applicable.
- 2) Deck Expansion Joint at begin or end bridge shown. Deck Expansion Joints at Pier or Intermediate Bents are similar.
- 3) Partial Plan Views shown are intended as guides only. See Structures Plans, Superstructure and Approach Slab Sheets for skew angles, joint orientation, dimensions and details.
- 4) Railings on Raised Sidewalks shall be treated similar to the Partial Plan View of Bridge Deck with Traffic Railing.
- 5) If Welded Wire Reinforcement is used in lieu of conventional reinforcement, placement of the WWR vertical elements shall be similar to those shown above. Clipping of horizontal elements to facilitate placement shall be minimized where possible. When clipping is required, supplement horizontal elements by lap splicing with deformed bars having an equivalent area of steel.

10/8/2020 9:24:37 AM

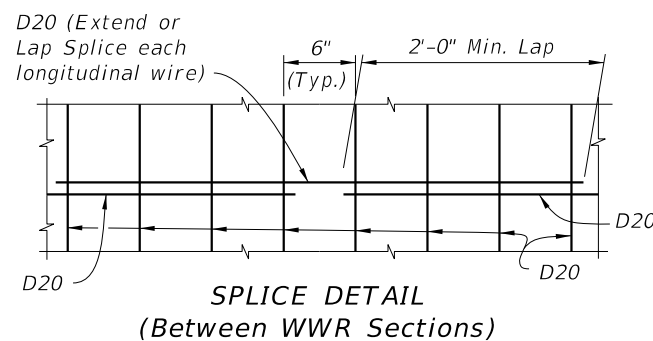
LAST REVISION 11/01/17	REVISION	DESCRIPTION:	 FY 2021-22 STANDARD PLANS	TRAFFIC RAILING - (36" SINGLE-SLOPE)	INDEX 521-427	SHEET 3 of 5
---------------------------	----------	--------------	---	--------------------------------------	------------------	-----------------

ALTERNATE REINFORCING STEEL (WWR) DETAILS

CONVENTIONAL REINFORCING STEEL BENDING DIAGRAMS



WWR Piece No. 2

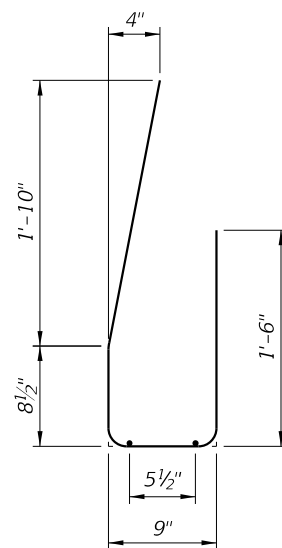


SPLICE DETAIL (Between WWR Sections)

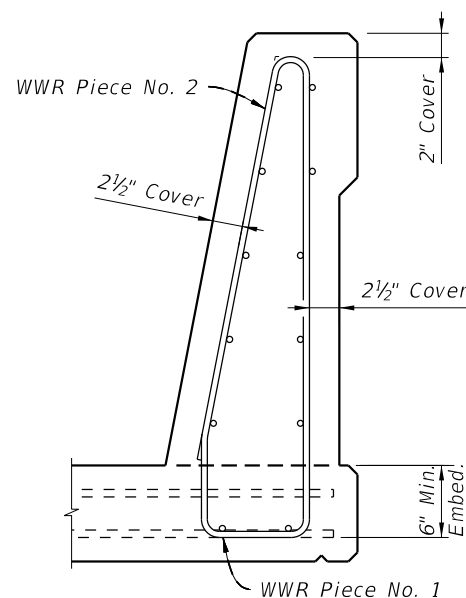
WELDED WIRE REINFORCEMENT NOTES:

1. At the option of the Contractor deformed Welded Wire Reinforcement (WWR) may be utilized in lieu of all Bars 4P, 4S and 4V. WWR must consist of Deformed wire meeting the requirements of Specification Section 931.
2. WWR at Railing End Transition shall be field bent inward as required (Piece 2) to maintain cover. The bottom of the vertical wires (D20) in Piece 2 shall be cut a maximum of 4 inches and the gutter side portion bent inward as required to allow placement.

* Longitudinal D20 Wires or #4 Bars may be tied.



WWR Piece No. 1

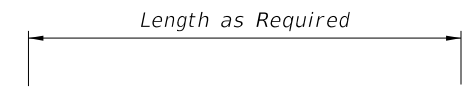


WWR Piece No. 1

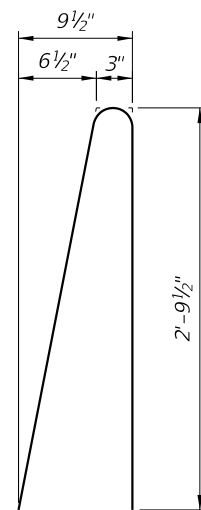
ROADWAY CROSS-SLOPE	LOW GUTTER	HIGH GUTTER
	0% to 2%	90°
2% to 6%	87°	93°
6% to 10%	84°	96°

ØB shall be 90° if Contractor elects to place railing perpendicular to the deck and approach slabs.

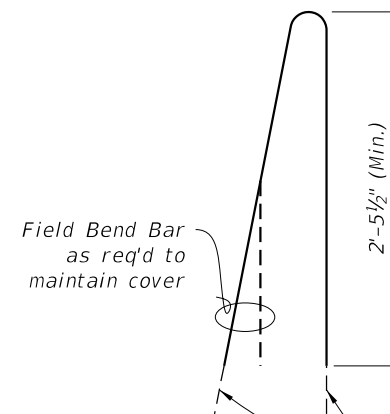
BILL OF REINFORCING STEEL		
MARK	SIZE	LENGTH
P	4	5'-11"
S	4	As Req'd.
V	4	4'-10"



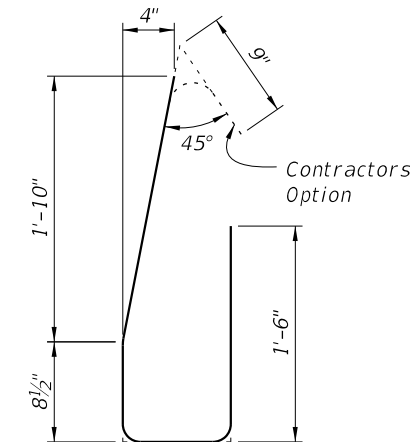
BAR 4S



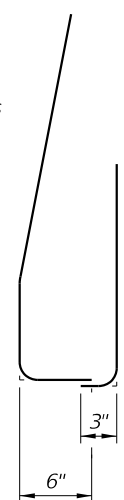
STIRRUP BAR 4P



END STIRRUP BAR 4P To Be Field Cut and Bent



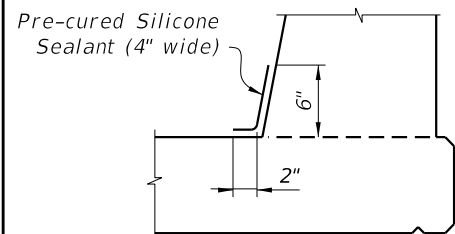
BAR 4V



END TRANSITION BAR 4V Field Cut and Lapped

REINFORCING STEEL NOTES:

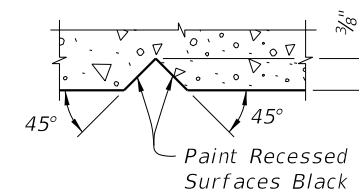
1. All bar dimensions in the bending diagrams are out to out.
2. The 8 1/2 vertical dimensions shown for Bar 4V is based on a 6 inch embedment into the bridge deck without a raised sidewalk. If a raised sidewalk is to be provided, increase this dimension to achieve a 6 inch minimum embedment into the bridge deck. See Structures Plans, Superstructure and Approach Slab Sheets.
3. All reinforcing steel at the open joints shall have a 2 inch minimum cover.
4. Bars 4S may be continuous or spliced at the construction joints. Bar splices for Bars 4S shall be a minimum of 2'-0 inch.



DETAIL "C" - SECTION AT INTERMEDIATE OPEN JOINT

INTERMEDIATE JOINT SEAL NOTES:

1. At Intermediate Open Joints, seal the lower 6 inch portion of the open joint with Pre-cured Silicone Sealant in accordance with Specification Section 932.
2. Apply sealant prior to any Class V finish coating and remove all curing compound and loose material from the surface prior to application of bonding agent.
3. Include the cost of the Pre-cured Silicone Sealant in the Contract Unit Price for the Traffic Railing.



SECTION THRU RECESSED "V" GROOVE TO FORM INSCRIBED LETTERS AND FIGURES

ESTIMATED TRAFFIC RAILING QUANTITIES		
ITEM	UNIT	QUANTITY
Concrete	CY/LF	0.107
Reinforcing Steel	LB/LF	24.78

(The above quantities are based on a 2% deck cross slope; railing on low side of deck.)

10/8/2020 9:24:39 AM

LAST REVISION	DESCRIPTION:
11/01/17	

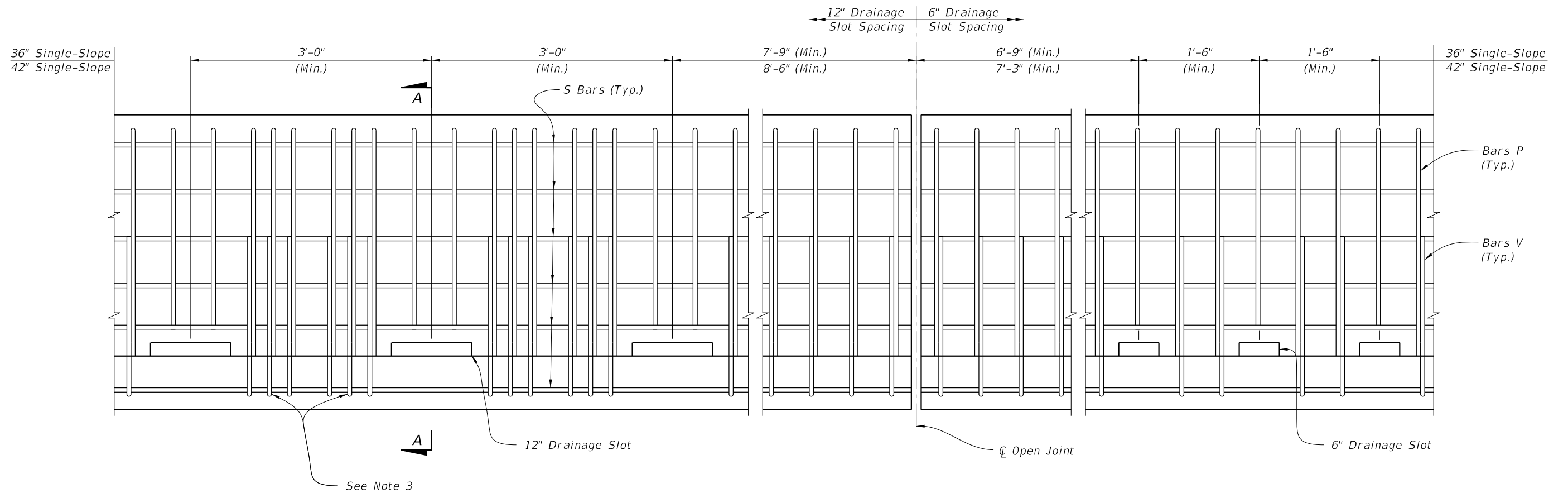


FY 2021-22 STANDARD PLANS

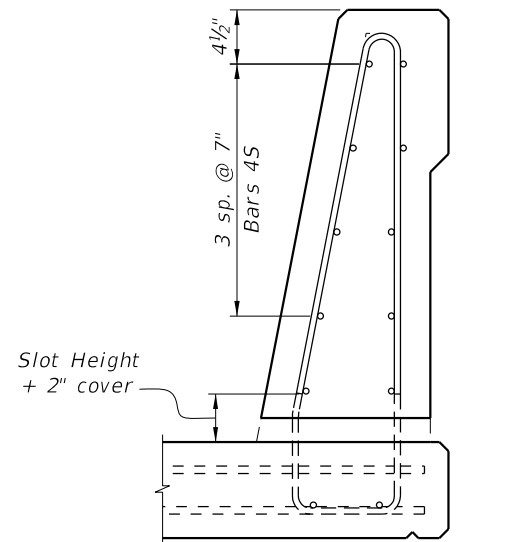
TRAFFIC RAILING - (36" SINGLE-SLOPE)

INDEX 521-427

SHEET 4 of 5



ELEVATION




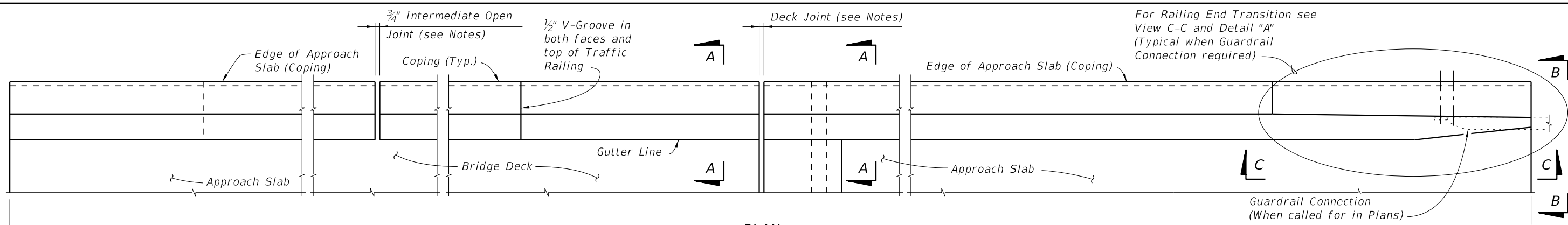
SECTION A-A
36" Single-Slope Shown
Other traffic railings similar

DRAINAGE SLOT NOTES:

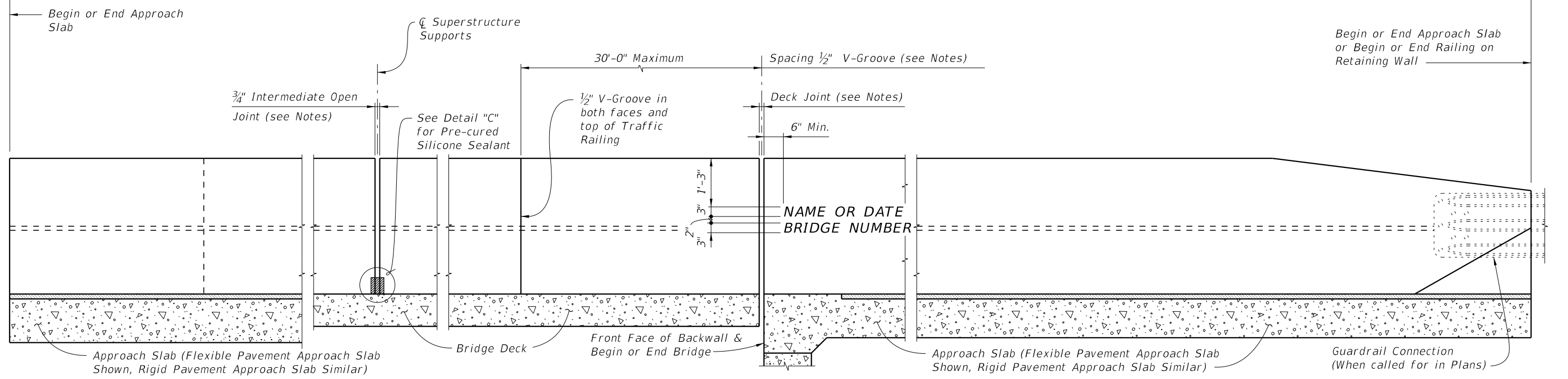
1. Use only when required for safety. See Plans for locations and size of drainage slots.
2. Maintain 2" minimum cover to all reinforcing. Trim P Bars over drainage slots and raise bottom S bars as necessary to maintain cover.
3. For slots greater than 6" in length, add additional vertical bars (V & P) on each side of the opening.
4. Drainage slot heights are 2" or 3". See the plans for size and location details.

10/8/2020 9:24:41 AM

LAST REVISION 11/01/19	REVISION	DESCRIPTION:	 FY 2021-22 STANDARD PLANS	TRAFFIC RAILING - (36" SINGLE-SLOPE)	INDEX 521-427	SHEET 5 of 5
---------------------------	----------	--------------	---	--------------------------------------	------------------	-----------------



PLAN
(Reinforcing Steel not shown for clarity)




ELEVATION OF INSIDE FACE OF RAILING
(Reinforcing Steel not shown for clarity)
(Railing on Bridge Deck and Approach Slab shown, Railing on Retaining Wall similar)

CROSS REFERENCE:
For Section A-A, End View B-B and Detail "A" see Sheet 2.
For Detail "B" see Sheet 3.
For Detail "C" see Sheet 4.

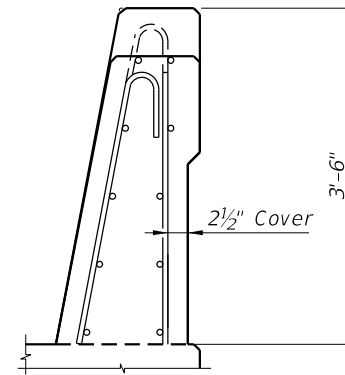
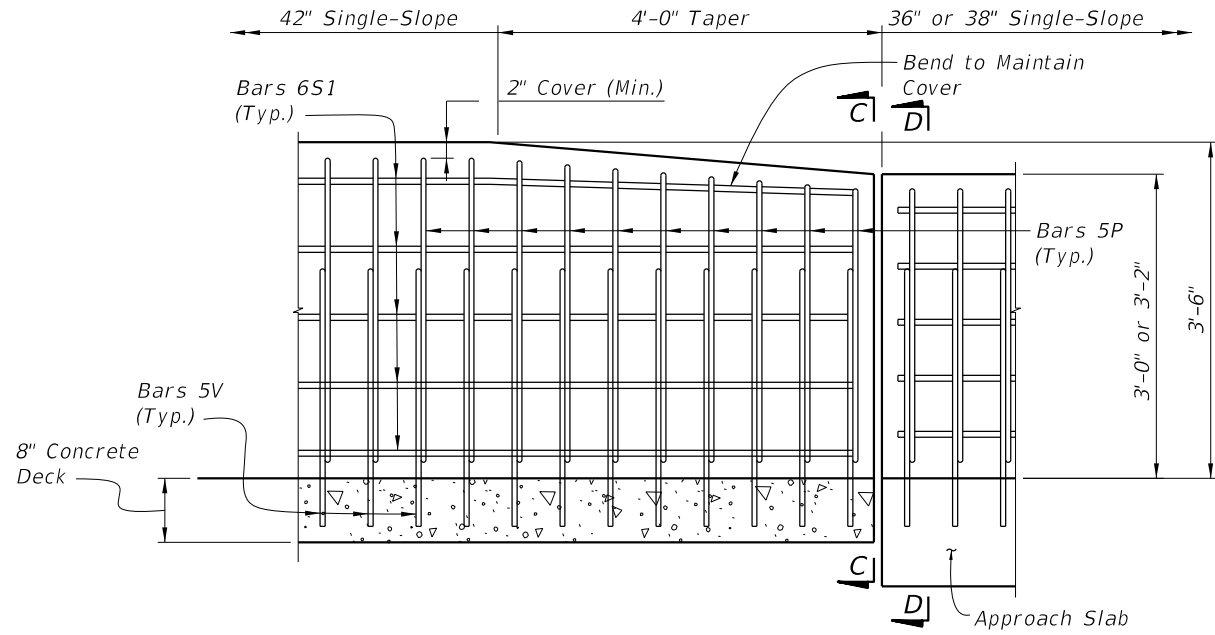
TRAFFIC RAILING NOTES

1. Materials: See Structures Plans, General Notes
2. Guardrail Connection Details: See Index 536-001
3. Superelevation: Traffic Railings on Superelevated bridges may be constructed perpendicular to the roadway surface. If an adjoining railing is constructed plumb, transition the end of the Traffic Railing from perpendicular to plumb over a minimum distance of 20'-0". The cost of all modifications will be at the Contractor's expense.
4. Name, Date & Bridge Number: Place the Name and Bridge Number on the Traffic Railing on the driver's right side when approaching the bridge. Place the Date on the driver's left side when approaching the bridge. Use the Name as shown in the General Notes of the Structures Plans. The Date is the year the bridge is completed. For a widening when the existing railing is removed, use both the date on the removed rail and the year of the widening. Form letters and figures with 3/8" V-Grooves using preformed letters and figures. Black plastic letters and figures 3" tall may be used, if approved by the Engineer.
5. Open Joints: See the Superstructure Plans, Approach Slab and Retaining Wall Sheets for Deck Joint dimensions and orientation. Provide Open Railing Joints matching the dimensions of the Deck Joint at Deck Expansion Joint locations.
 - A. For treatment of railings on skewed bridges see Index 521-427 Sheet 3.
6. Open Joints: Provide 3/4" Open Joints at:
 - A. Superstructure supports where the slab is continuous.
 - B. At ends of approach slabs when adjacent to retaining walls and at expansion joints on retaining wall junction slabs.
7. V-Grooves: Construct 1/2" V-Grooves plumb. Space V-Grooves equally between 3/4" Open Joints and/or Deck Joints and the at V-Groove locations on the Retaining Wall footing/junction slabs.
8. Barrier Delineators: Install Barrier Delineators on top of the Traffic Railing 2" from the face of the traffic side in accordance with Specification Section 705. Match the Barrier Delineator to the color (white or yellow) of the near edgeline.
9. Traffic Railing Transitions: See Plans for type and location.
 - A. Transition to guardrail: See Detail "A" and View B-B.
 - B. Transition to 44" Roadway Concrete Barriers. See Detail "B" and View C-C.
 - C. Transitions to 36" or 38" concrete barriers at end of approach slab: See Detail "C", View D-D and Section E-E.
10. Drainage Slots: See Superstructure Plans for drainage slot locations and size (if required). See Index 521-427 Sheet 5 for details.
11. Embedded conduit and junction boxes: See Index 630-010.

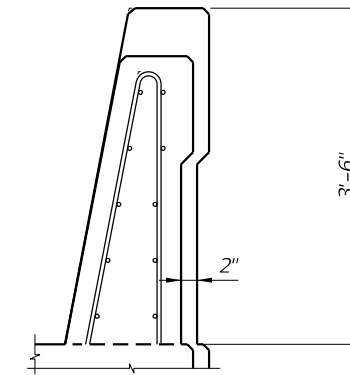
SDATES

LAST REVISION 11/01/20	REVISION	DESCRIPTION:	 FY 2021-22 STANDARD PLANS	TRAFFIC RAILING - (42" SINGLE-SLOPE)	INDEX 521-428	SHEET 1 of 4
---------------------------	----------	--------------	--	---	------------------	-----------------

- NOTE:
1. Provide Detail "B" height transition where 42" Traffic Railings are required on bridge, and 36" or 38" Barriers are shown on approaches. See Structures Plans for coping details.
 2. Work Detail "B" with Indexes 400-090 or 400-091, 521-427, and 521-610 as necessary.
 3. Field cut 5P Bars as shown to maintain 2" min. (4" max.) cover at top of traffic railing.




VIEW C-C
RAILING HEIGHT TRANSITION
(Begin/End of Bridge)
(Bars 5V not shown for clarity)



SECTION D-D
(Index 400-091 Shown, 400-090 Similar)
(Index 521-427 Bars 4V not shown for Clarity)

DETAIL "B"

10/8/2020 9:24:49 AM

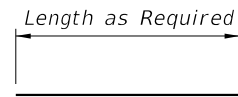
LAST REVISION 11/01/20	DESCRIPTION:	 FY 2021-22 STANDARD PLANS	TRAFFIC RAILING - (42" SINGLE-SLOPE)	INDEX 521-428	SHEET 3 of 4
---------------------------	--------------	--	--------------------------------------	------------------	-----------------

CONVENTIONAL REINFORCING STEEL BENDING DIAGRAMS

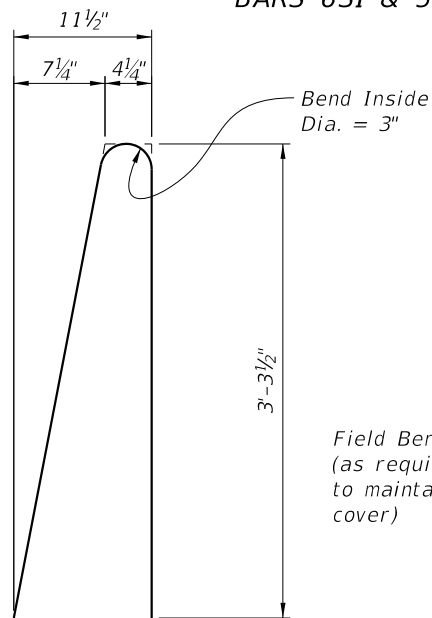
BILL OF REINFORCING STEEL		
MARK	SIZE	LENGTH
P	5	7'-0"
S1	6	As Reqd.
S2	5	As Reqd.
T1 & T2	6	10'-0"
V	5	5'-9"

ROADWAY CROSS-SLOPE	LOW GUTTER	HIGH GUTTER
	∅B	∅B
0% to 2%	101°	101°
2% to 6%	98°	104°
6% to 10%	95°	107°

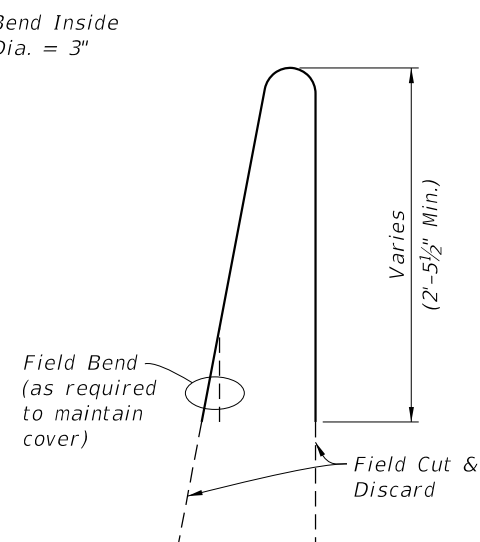
∅A and ∅B shall be 90° if Contractor elects to place Railing perpendicular to the Deck.



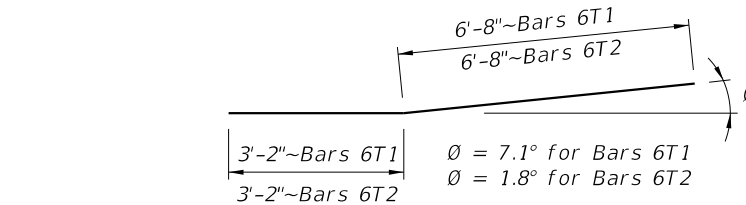
BARS 6S1 & 5S2



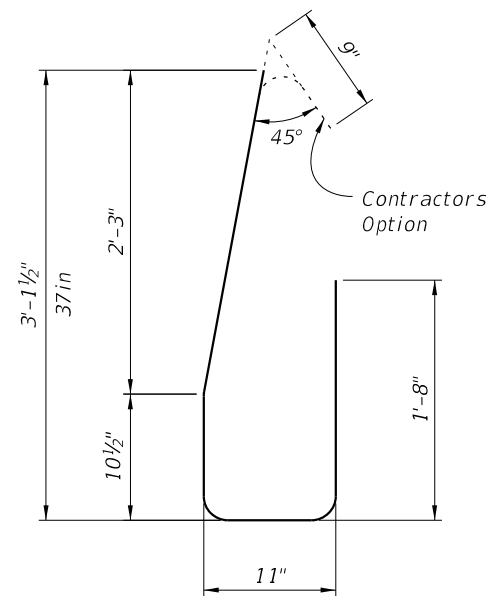
STIRRUP BAR 5P



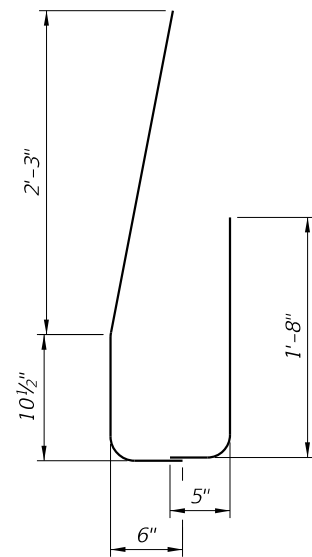
TRANSITION STIRRUP BAR 5P
To Be Field Cut (10 of each required per Railing End Transition)



TRANSITION BARS 6T1 & 6T2
(2~Bars 6T1 & 3~Bars 6T2 required per Railing End Transition)



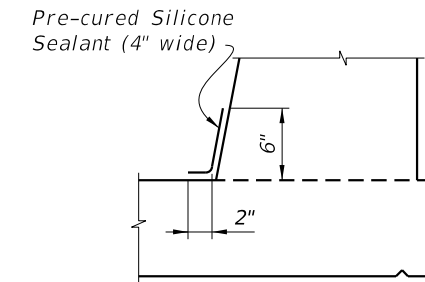
STIRRUP BAR 5V



END STIRRUP BAR 5V
To Be Field Cut and Lapped

REINFORCING STEEL NOTES:

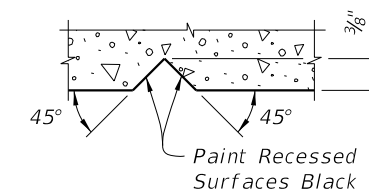
- All bar dimensions in the bending diagrams are out to out.
- All reinforcing steel at the open joints shall have a 2" minimum cover.
- Bars 6S1 may be continuous or spliced at the construction joints. Lap splices for Bars 6S1 and 5S2 shall be a minimum of 3'-0" and 2'-2", respectively.
- The Contractor may utilize deformed WWR when approved by the Engineer. WWR must meet the requirements of Specification Section 931.



DETAIL "C" - SECTION
AT INTERMEDIATE OPEN JOINT

INTERMEDIATE JOINT SEAL NOTES:

- At Intermediate Open Joints, seal the lower 6" portion of the open joint with Pre-cured Silicone Sealant in accordance with Specification Section 932.
- Apply sealant prior to any Class V finish coating and remove all curing compound and loose material from the surface prior to application of bonding agent.
- The cost of the Pre-cured Silicone Sealant shall be included in the Contract Unit Price for the Traffic Railing.



SECTION THRU RECESSED
"V" GROOVE TO FORM INSCRIBED
LETTERS AND FIGURES

ESTIMATED TRAFFIC RAILING QUANTITIES		
ITEM	UNIT	QUANTITY
Concrete	CY/LF	0.143
Reinforcing Steel	LB/LF	39.34

Note:

The estimated railing quantities are based on a 2% deck cross slope; railing on low side of deck.

10/8/2020 9:24:50 AM

LAST REVISION	DESCRIPTION:
11/01/17	



FY 2021-22
STANDARD PLANS

TRAFFIC RAILING - (42" SINGLE-SLOPE)

INDEX
521-428

SHEET
4 of 4

TRAFFIC RAILING NOTES

This Traffic Railing Retrofit has been structurally evaluated to be equivalent or greater in strength to a design which has been successfully crash tested previously and approved for a NCHRP Report 350 Test Level 4 rating, except for the Tapered End Transition on Index 521-484.

CONCRETE: Concrete for the Traffic Railing (Vertical Face Retrofit), Spread Footing Approaches and replacement curb sections shall be Class IV. Concrete for Curb Transition Blocks shall be Class II (Bridge Deck).

REINFORCING STEEL: Reinforcing steel shall be ASTM A615, Grade 60, except Expansion Dowel Bar B which shall be ASTM A36 smooth round bar hot-dip galvanized in accordance with the Specifications.

EXPANSION SLEEVE ASSEMBLY: Pipe sleeve shall be ASTM D2241 PVC pipe, SDR13.5. End Cap shall be ASTM D2466 PVC socket fitting, Schedule 40. End of Sleeve assembly at railing open joint shall be sealed with silicone to prevent concrete intrusion during railing casting. A compressible expanded polystyrene plug is required in the opposite end of the assembly for correct dowel positioning during railing casting. Correct dowel positioning is required in order to provide for thermal movement of the deck.

ADHESIVE-BONDED ANCHORS AND DOWELS: Adhesive Bonding Material Systems for Anchors and Dowels shall comply with Specification Section 937 and be installed in accordance with Specification Section 416. The field testing proof loads required by Specification Section 416 shall be 23,800 lbs. for Dowel Bars 6D on the inside face (traffic side) of the railing (1'-0" embedment) and 18,500 lbs for Dowel Bars 6D along the outside face of the traffic railing (5" min. embedment).

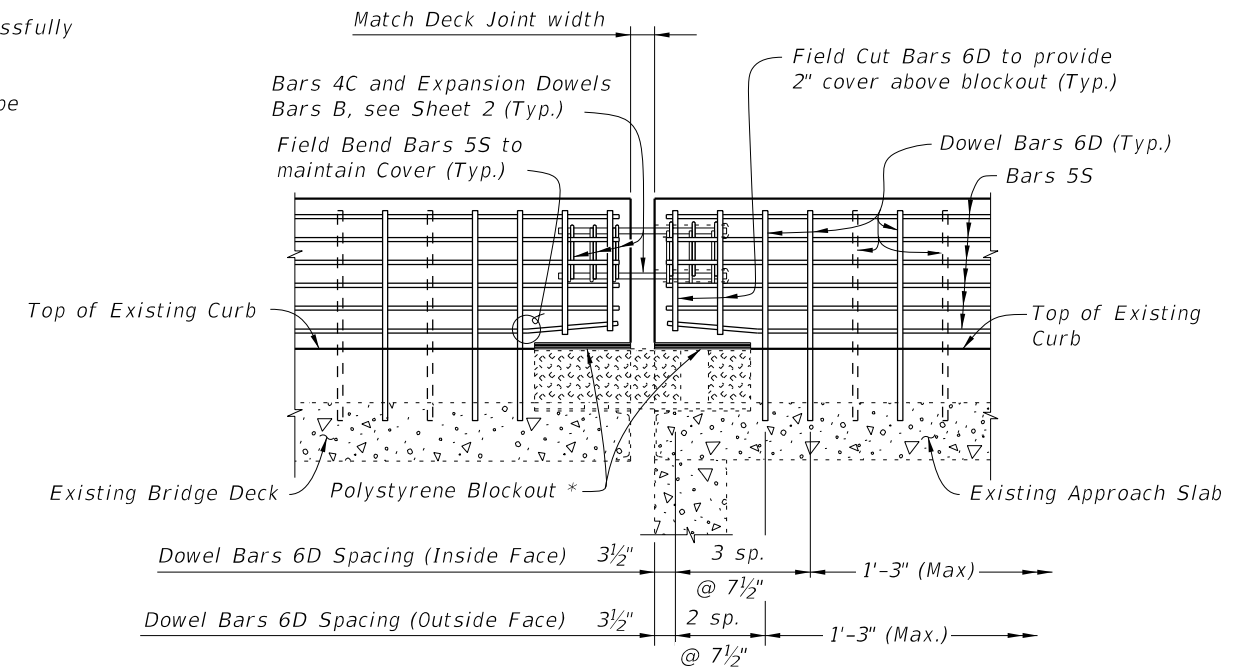
BRIDGES ON CURVED ALIGNMENTS: The details presented in these Indexes are shown for bridges on tangent alignments. Details for bridges on horizontally curved alignments are similar.

NAME, DATE AND BRIDGE NUMBER: The Name and Bridge Number shall be placed on the Traffic Railing so as to be seen on the driver's right side when approaching the bridge. The Date shall be placed on the driver's left side when approaching the bridge. The Date shall be the year the bridge was constructed. Letters and figures may be 3" tall black plastic as approved by the Engineer or 3/8" V-Grooves. V-Grooves shall be formed by preformed letters and figures.

ELEVATION MARKERS: Elevation Markers need not be replaced when portions of the existing traffic railing carrying existing elevation markers are removed.

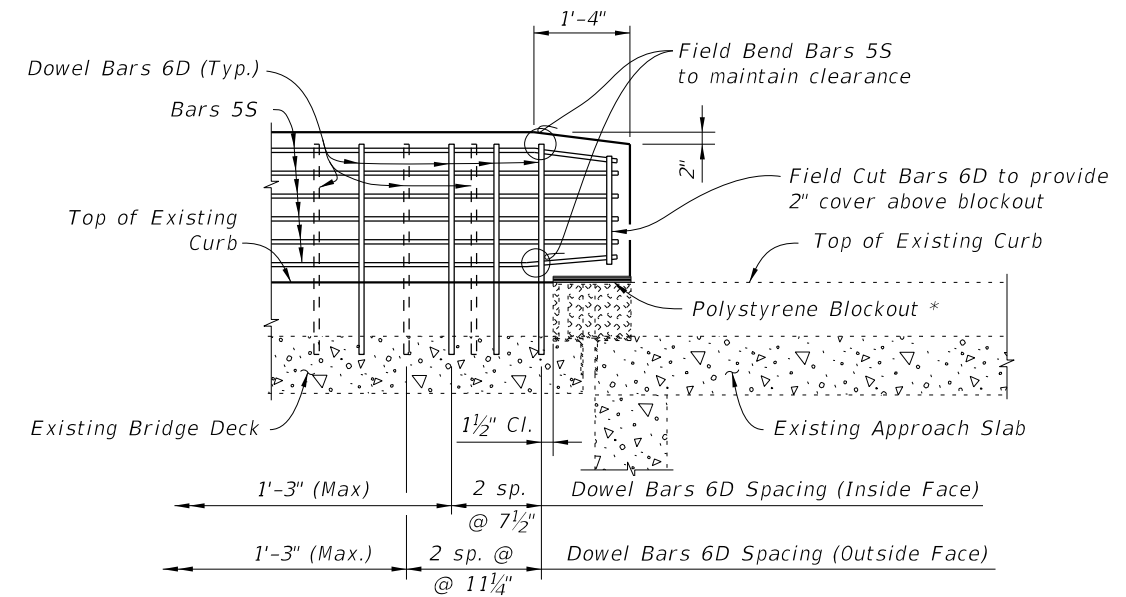
BARRIER DELINEATORS: Barrier Delineators shall meet Specification Section 993. Install Barrier Delineators on top of the Traffic Railing 2" from the face on the traffic side in accordance with Specification Section 705. Match the Barrier Delineator color (white or yellow) to the near edgeline.

PAYMENT: Payment under Traffic Railing (Vertical Face Retrofit) includes all materials and labor required to construct the railing and incidental work as required for transition blocks, curbs, spread footing approaches, and Barrier Delineators.

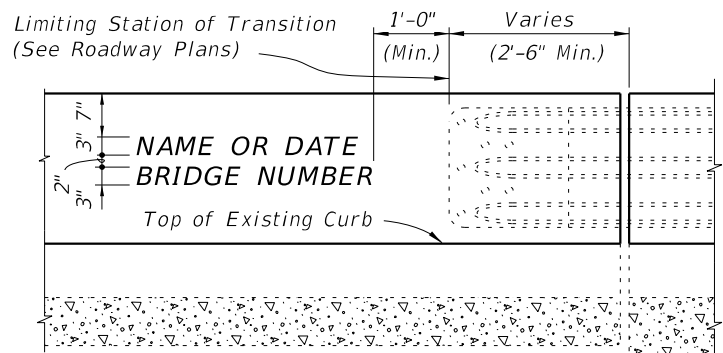


PARTIAL ELEVATION OF RAILING SHOWING FINGER/SLIDING PLATE JOINT - SCHEMES 2 THRU 5 (Begin or End Bridge Shown, Intermediate Joints Similar)

* Place 1" thick polystyrene blockout over limits of bridge deck expansion joint full width to the end of the Traffic Railing to allow for thermal movement. Seal Forms to prevent mortar leakage into the expansion joint.



PARTIAL ELEVATION OF RAILING SHOWING FINGER/SLIDING PLATE JOINT AT BEGIN OR END BRIDGE - SCHEME 1 (Guardrail Transition not shown for clarity)



NAME, DATE AND BRIDGE NUMBER LETTERING DETAIL

ESTIMATED TRAFFIC RAILING QUANTITIES

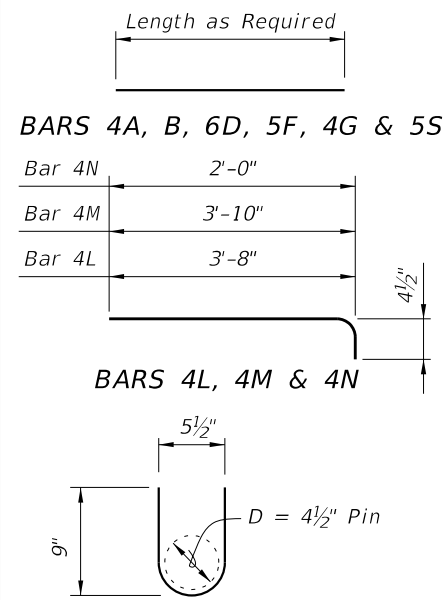
ITEM	UNIT	QUANTITY	
		9" Curb	Increment
Concrete	CY/FT	0.064	0.003 per in. height
Reinforcing Steel	LB/FT	13.27	0.10 per in. length

(Quantities are based on a 9" curb, no curb cross slope and 1'-0" embedment length of Bars 6D. If the curb height or embedment length differs from that shown, increase or decrease quantity by the given per inch increment.) See Index 521-484, Sheet 4 for Spread Footing Approach Quantities.

10/8/2020 9:24:53 AM

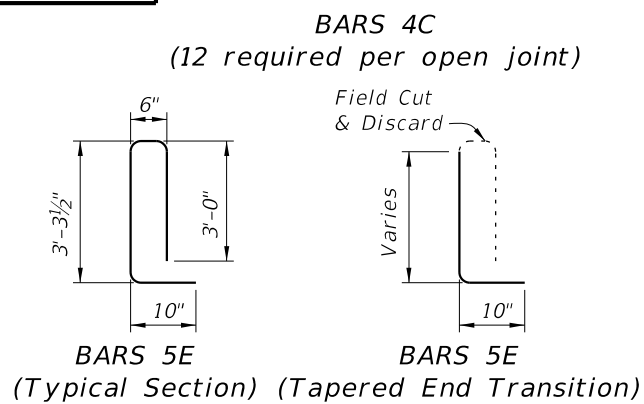
CONVENTIONAL REINFORCING STEEL BENDING DIAGRAM

BILL OF REINFORCING STEEL				
MARK	SIZE	LENGTH	INDEX NO.	NOTE NOS.
A	4	AS REQD.	521-482 ONLY	3
B	1" Ø	2'-0"	521-481 THRU 521-483	2 & 5
C	4	2'-0"	521-481 THRU 521-484	1, 2 & 3
D	6	AS REQD.	521-481 THRU 521-484	2 & 3
E	5	7'-4"	521-484 ONLY	1 & 3
F	5	4'-3"	521-484 ONLY	3
G	4	AS REQD.	521-484 ONLY	3
L	4	4'-1"	521-481 THRU 521-483	1 & 3
M	4	4'-3"	521-482 ONLY	1 & 3
N	4	2'-5"	521-482 ONLY	1 & 3
S	5	AS REQD.	521-481 THRU 521-484	2, 3 & 4

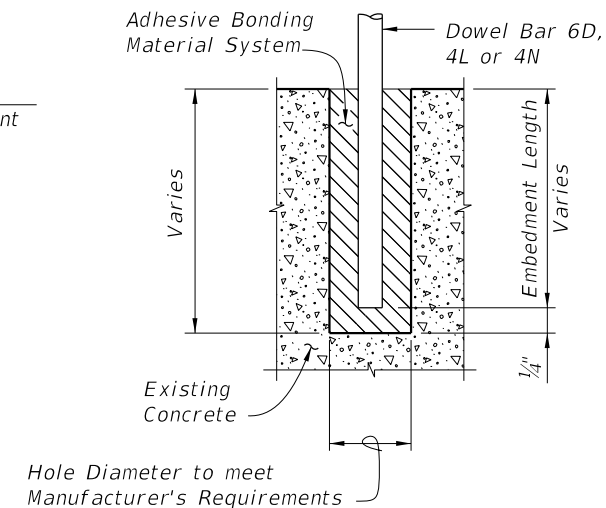
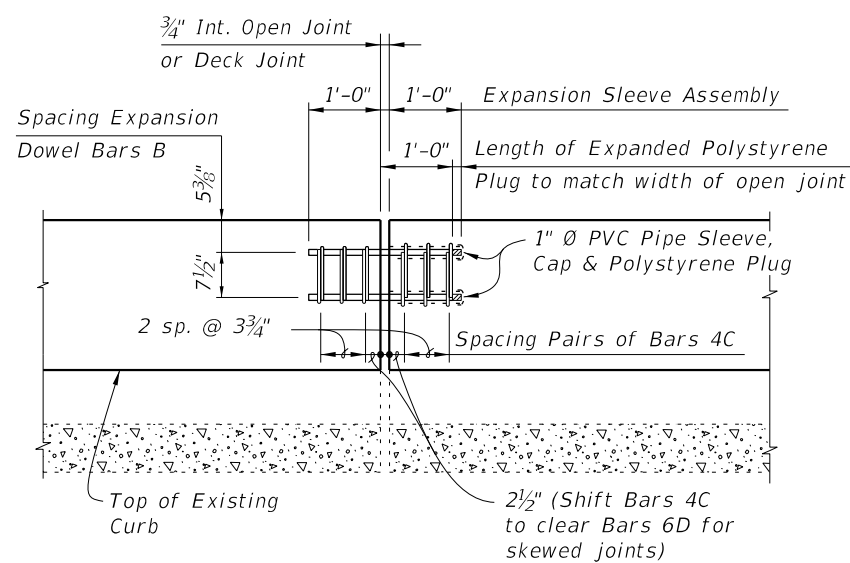


REINFORCING STEEL NOTES:

1. All bar dimensions in the bending diagrams are out to out.
2. The reinforcement for the railing on a retaining wall shall be the same as detailed for a bridge deck.
3. All reinforcing steel in the Vertical Face Retrofit Railing shall have a 2" minimum cover.
4. Bars 5S may be continuous or spliced at the construction joints. Bar splices for Bars 5S shall be a minimum of 2'-2".
5. Expansion Dowel Bars B shall be ASTM A36 smooth round bar and hot-dip galvanized in accordance with the Specifications.



OPEN JOINT EXPANSION DOWEL DETAIL (Railing Reinforcing Not Shown For Clarity)

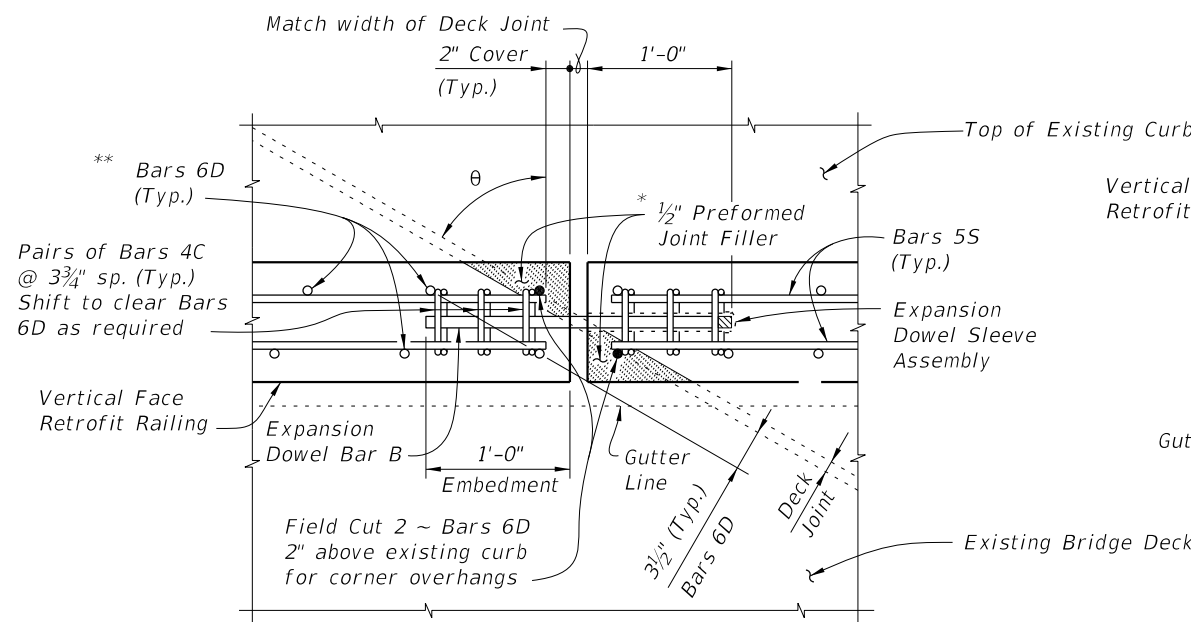


Dowel Installation Notes:

1. Shift dowel holes to clear if the existing reinforcement is encountered.
2. See Index 521-481 thru 521-484 for required embedment length of Bars 6D, 4L or 4N.

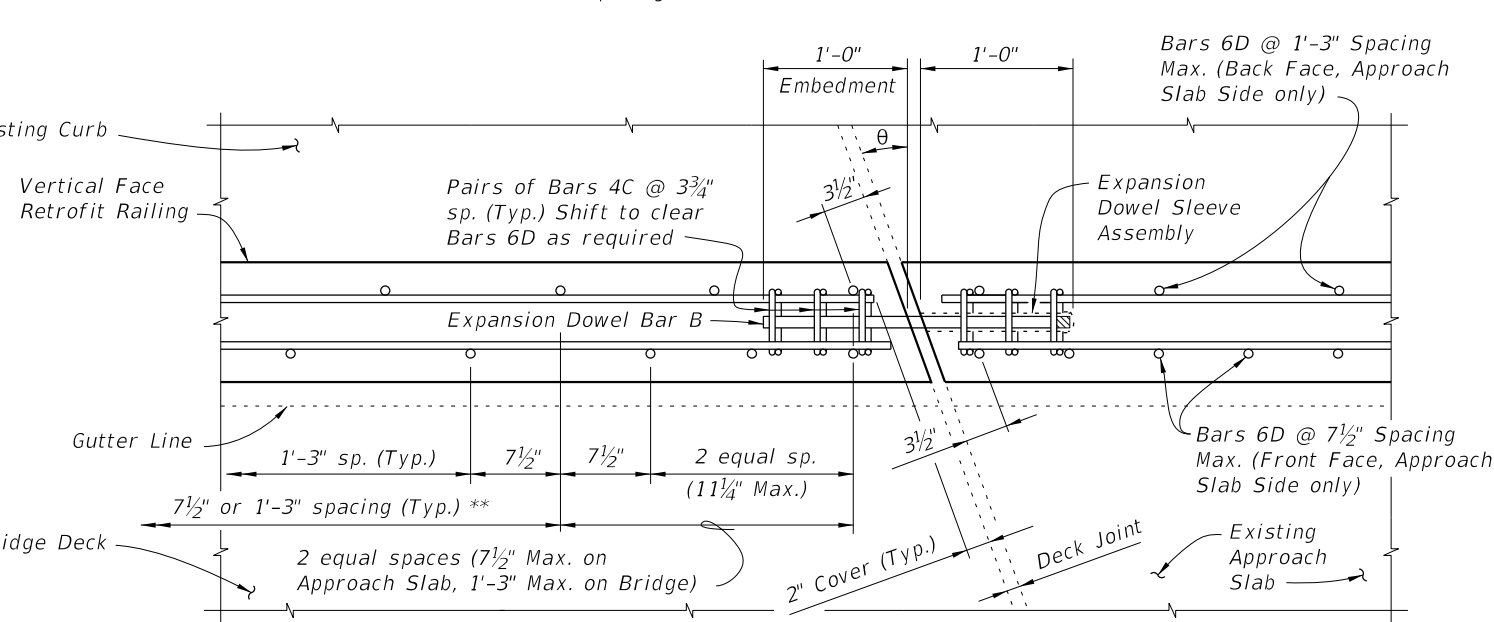
* 1/2" Preformed Joint Filler at top of Existing Curb shall extend beyond the joint material (Silicone, poured rubber, armored neoprene seal or sliding plates) as shown to prevent concrete intrusion during railing casting and shall be placed so as not to restrict in any way normal joint movement.

** See Index 521-481 thru 521-484 for spacing of Bars 6D.



PARTIAL PLAN OF RAILING (SKEW ANGLE θ GREATER THAN 20°) (Skewed Deck Joint at Begin or End Bridge Shown, Skewed Deck Joint at Intermediate Pier or Bent Similar)

SKEW DETAIL



PARTIAL PLAN OF RAILING (SKEW ANGLE θ = 20° OR LESS) (Skewed Deck Joint at Begin or End Bridge Shown, Skewed Deck Joint at Intermediate Pier or Bent Similar)

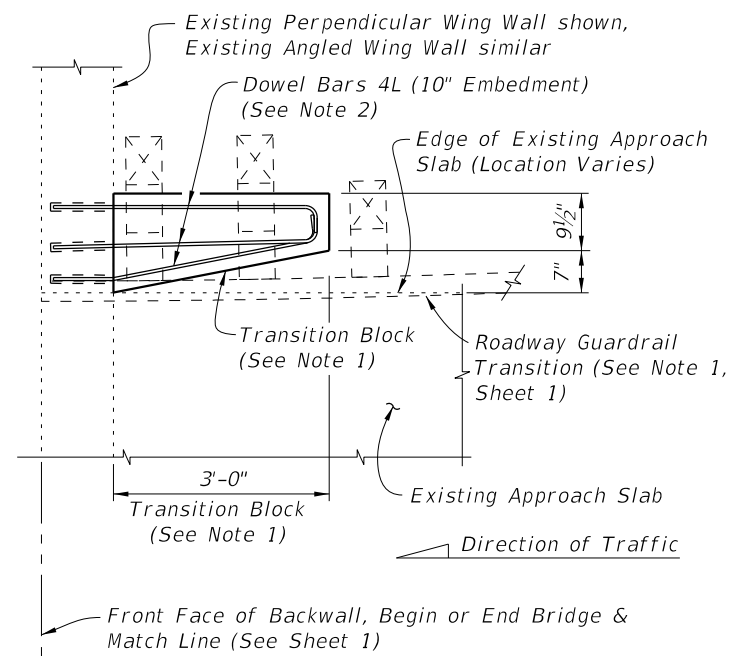
10/8/2020 9:24:56 AM

LAST REVISION 11/01/16	DESCRIPTION:
---------------------------	--------------

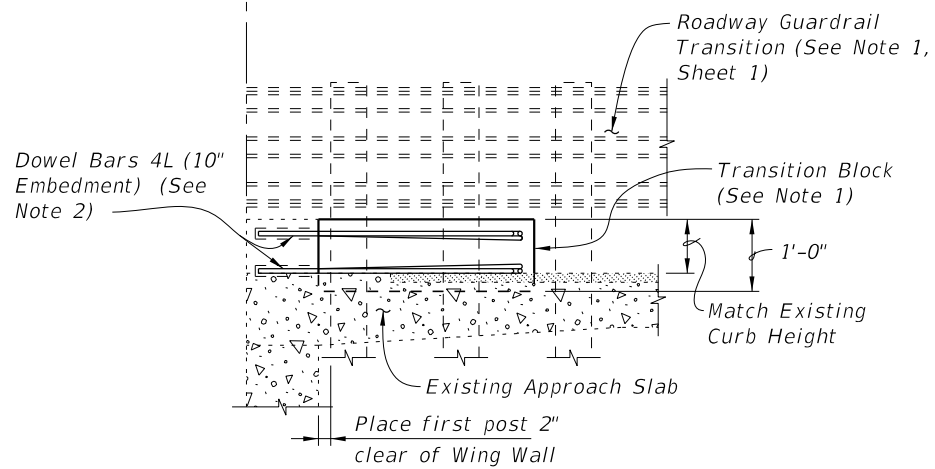
FY 2021-22 STANDARD PLANS

TRAFFIC RAILING - (VERTICAL FACE RETROFIT) TYPICAL DETAILS & NOTES

INDEX 521-480	SHEET 2 of 2
------------------	-----------------



PARTIAL PLAN OF GUARDRAIL

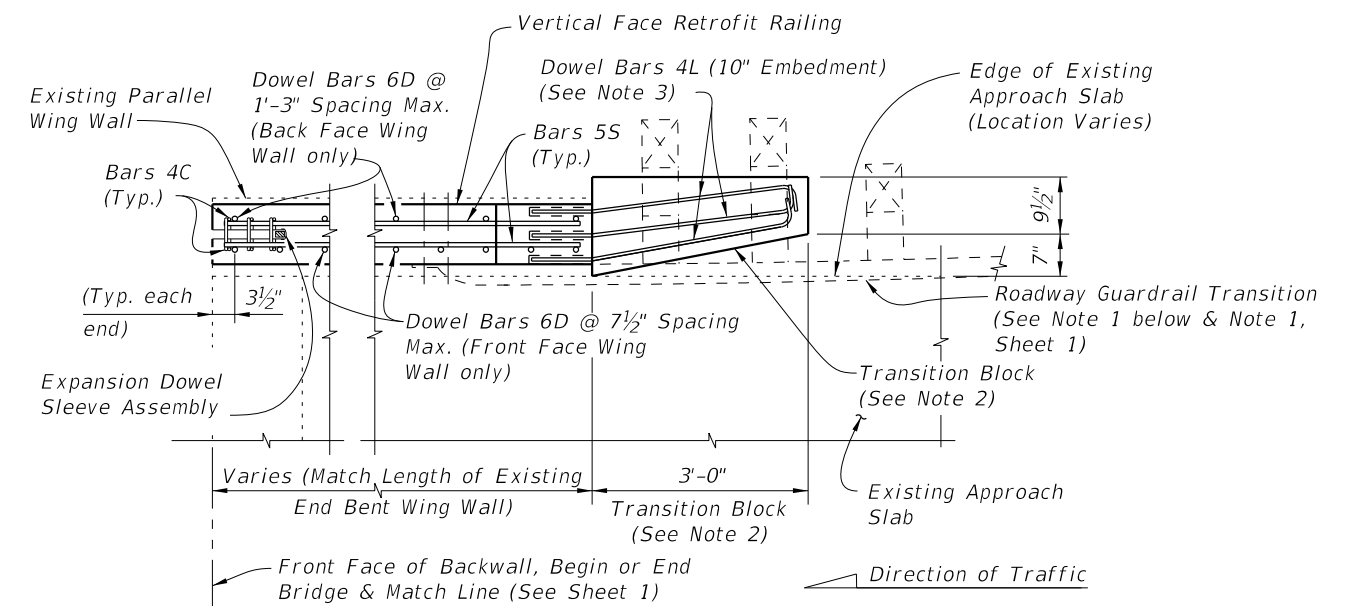


PARTIAL ELEVATION OF INSIDE FACE OF GUARDRAIL

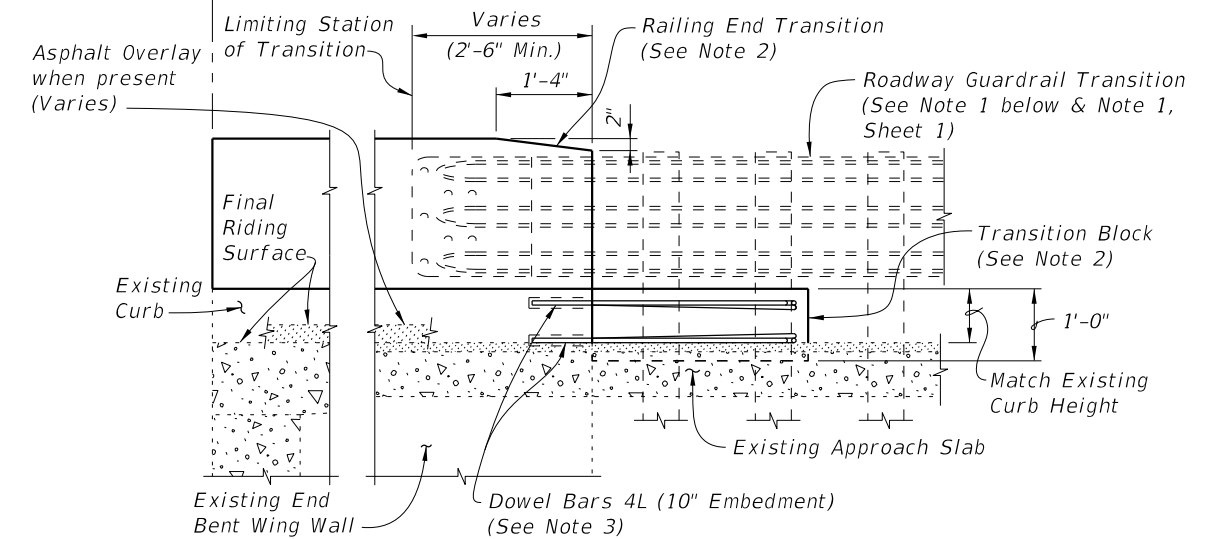
SCHEME 1
RAILING END TREATMENT FOR PERPENDICULAR OR ANGLED WING WALLS

SCHEME 1 NOTES:

1. Provide Transition Block (as shown) or Curb if existing Approach Slab does not have a curb, see Roadway Plans. Shape and height of Transition Block or Curb shall match existing bridge curb. Railing End Transition and Transition Block may be omitted on trailing ends with no opposing traffic.
2. Field bend Dowel Bars 4L within Transition Block as required to maintain 2" top and side clearance and 3" bottom clearance.



PARTIAL PLAN OF RAILING




PARTIAL ELEVATION OF INSIDE FACE OF RAILING
 (Railing Reinforcing and Expansion Dowel Assemblies not shown for clarity)

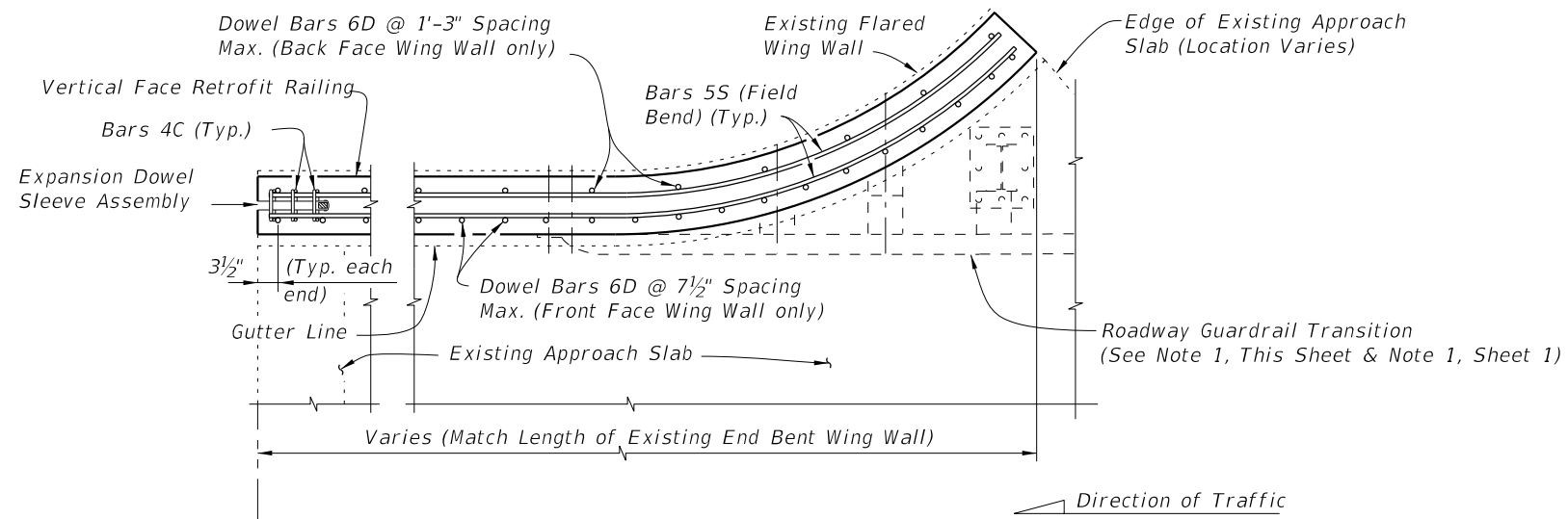
SCHEME 2
RAILING END TREATMENT FOR PARALLEL WING WALLS

SCHEME 2 NOTES:

1. See Roadway Plans for limiting station of Roadway Guardrail Transition or other site specific treatment. If limiting station of Roadway Guardrail Transition is along the Wing Wall, attach Thrie-Beam Terminal Connector to railing as shown above. If limiting station of Roadway Guardrail Transition is on the bridge, see Index 521-481, Sheet 1. On skewed bridges, if the skew along the deck joint extends across the width of the railing, the 2'-6" minimum dimension shall apply to both the front and back face of the railing.
2. Provide Transition Block (as shown) or Curb if existing Approach Slab does not have a curb, see Roadway Plans. Shape and height of Transition Block or Curb shall match existing bridge curb. Railing End Transition and Transition Block may be omitted on trailing ends with no opposing traffic.
3. Field bend Dowel Bars 4L within Transition Block as required to maintain 2" top and side clearance and 3" bottom clearance.

10/01/2020 9:25:00 AM

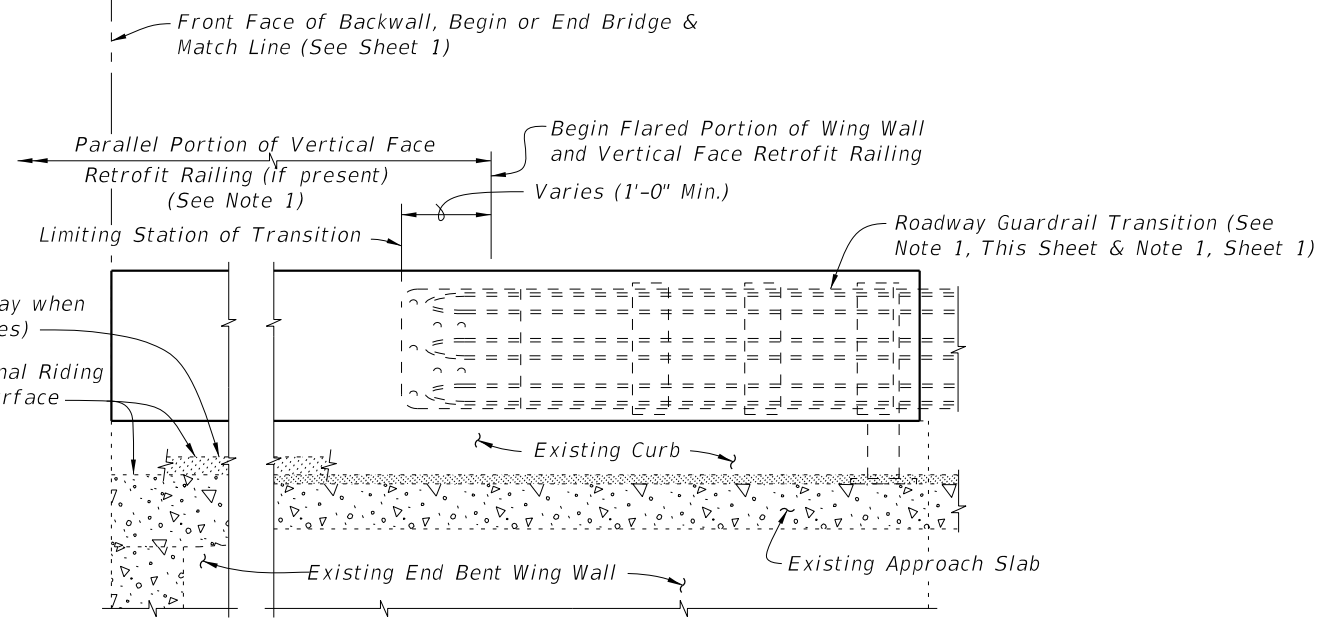
LAST REVISION 07/01/07	REVISION	DESCRIPTION:	 FY 2021-22 STANDARD PLANS	TRAFFIC RAILING - (VERTICAL FACE RETROFIT) NARROW CURB	INDEX 521-481	SHEET 2 of 3
---------------------------	----------	--------------	--	---	-------------------------	------------------------



PARTIAL PLAN OF RAILING

SCHEME 3 NOTE:

1. See Roadway Plans for limiting station of Roadway Guardrail Transition or other site specific treatment. If limiting station of Roadway Guardrail Transition is along the Wing Wall, attach Thrie-Beam Terminal Connector to railing as shown above. If limiting station of Roadway Guardrail Transition is on the bridge, see Sheet 1.



PARTIAL ELEVATION OF INSIDE FACE OF RAILING
(Railing Reinforcing and Expansion Dowel Assemblies not shown for clarity)

SCHEME 3
RAILING END TREATMENT FOR
FLARED WING WALLS

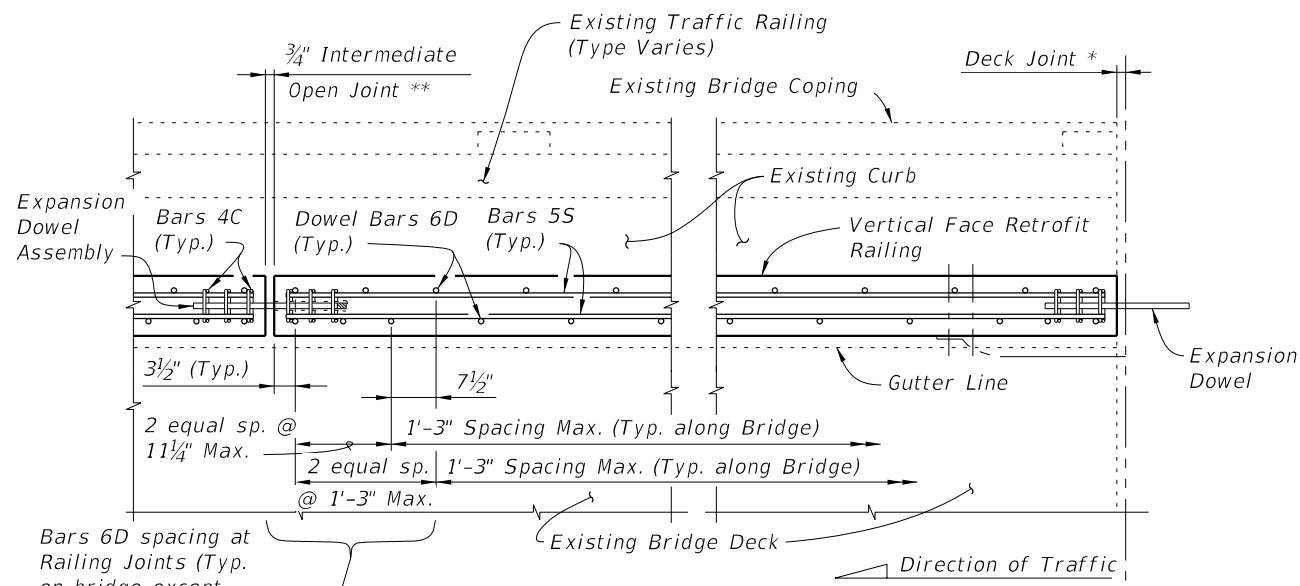
10/01/2020 9:25:02 AM

LAST REVISION 07/01/07	REVISION	DESCRIPTION:
---------------------------	----------	--------------


FY 2021-22
STANDARD PLANS

TRAFFIC RAILING - (VERTICAL FACE RETROFIT)
NARROW CURB

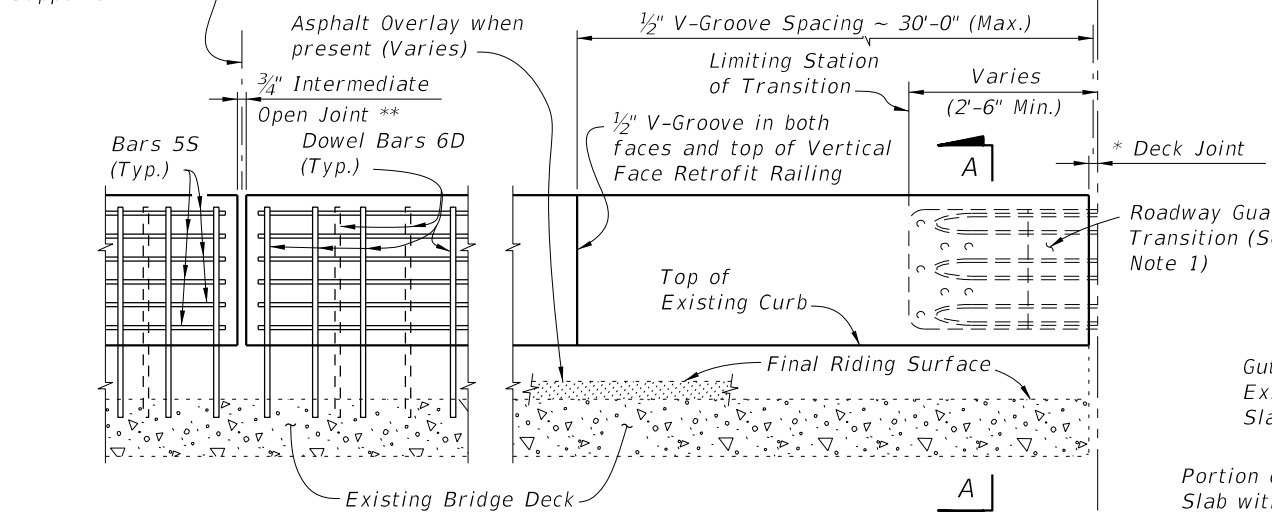
INDEX 521-481	SHEET 3 of 3
------------------	-----------------



PARTIAL PLAN OF RAILING

Bars 6D spacing at Railing Joints (Typ. on bridge except as noted for skewed deck joints)

Superstructure Supports



PARTIAL ELEVATION OF INSIDE FACE OF RAILING (Existing Traffic Railing, Expansion Dowel Assemblies & Bars 4C not shown for clarity)

TYPICAL TREATMENT OF RAILING ALONG BRIDGE

NOTES:

1. On approach end provide a Roadway Guardrail Transition, Index 536-002 (as shown) or other site specific treatment. See Roadway Plans for limiting station of Roadway Guardrail Transition or other site specific treatment. If limiting station of Roadway Guardrail Transition is on the bridge, attach Thrie-Beam Terminal Connector to railing as shown above. If limiting station of Roadway Guardrail Transition is along the Wing Wall, see Schemes 2, 3, 4 or 5, Sheets 3 and 4. On skewed bridges, if the skew along the deck joint extends across the width of the railing, the 2'-6" minimum dimension shall apply to both the front and back face of the railing. For treatment of trailing end see Roadway Plans. If vertical face retrofit extends beyond bridge and approach slab ends, see Index 521-484 for treatment and Details.
2. Field cut Bars 5S and Dowel Bars 6D to maintain clearance within Vertical Face Retrofit Railing.
3. Where existing structure has been removed and not encased in new concrete; match adjoining areas and finish flat by grouting or grinding as required. Exposed existing reinforcing steel not encased in new concrete shall be burned off 1" below existing concrete and grouted over.

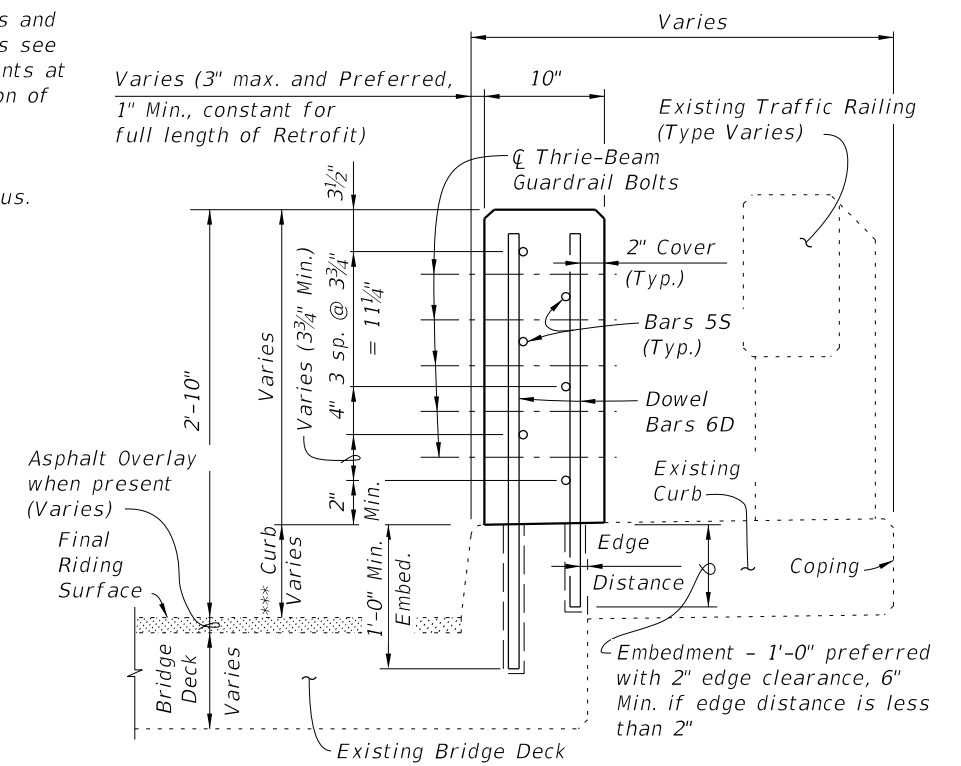
* Non skewed deck joint shown, actual joint dimensions and orientation vary. For treatment at skewed deck joints see Skew Detail, Index 521-480. Provide open Railing Joints at Deck Expansion Joint locations matching the dimension of the Deck Joint.

** Provide 3/4" Intermediate Open Joints at:
(1) - Superstructure supports where slab is continuous.

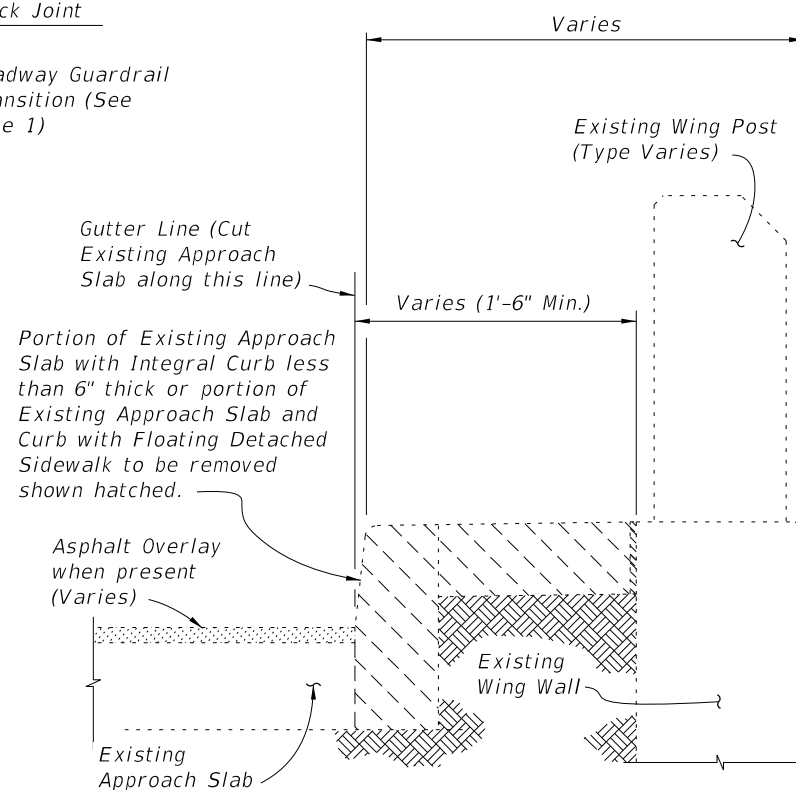
*** Curb heights vary from 5" Min. to 1'-2" Max.

CROSS REFERENCE:

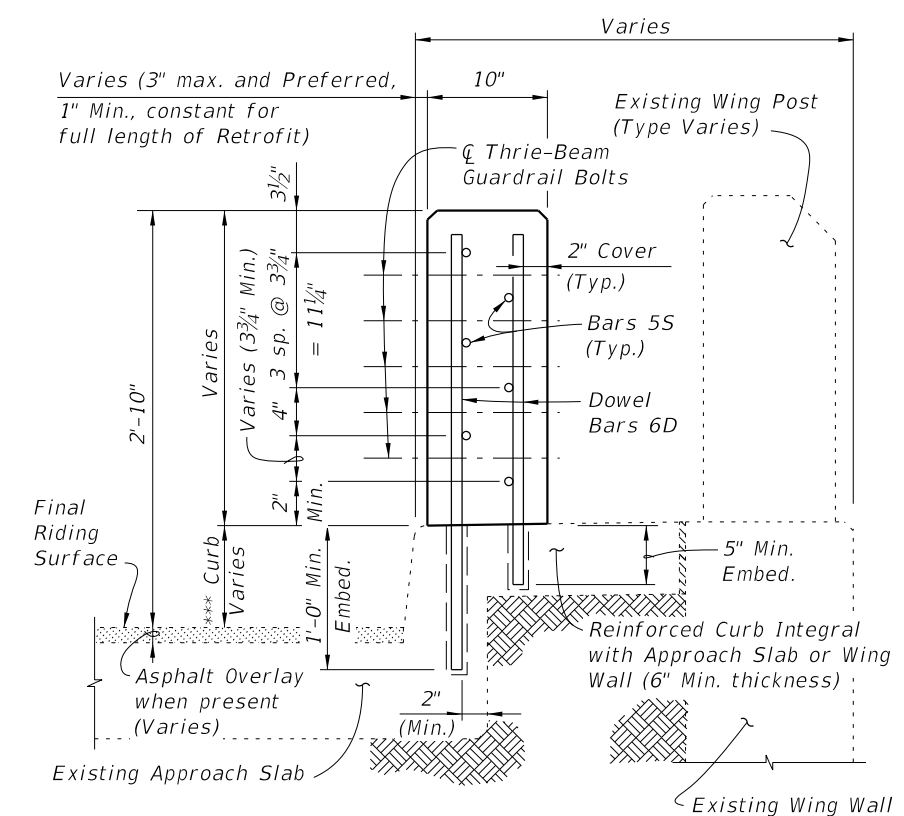
For General Notes, Estimated Quantities, Dowel Detail, Expansion Dowel Detail, Reinforcing Steel Notes & Bending Diagrams see Index 521-480.



SECTION A-A TYPICAL SECTION THRU RAILING ON BRIDGE DECK



TYPICAL SECTION THRU EXISTING APPROACH SLAB AND END BENT WING WALL SHOWING LIMITS OF REMOVAL (SCHEMES 4 AND 5 ONLY)



SECTION B-B TYPICAL SECTION THRU RAILING ALONG APPROACH SLAB (SCHEMES 2 AND 3 ONLY)

10/8/2020 9:25:05 AM

LAST REVISION	DESCRIPTION:
07/01/13	

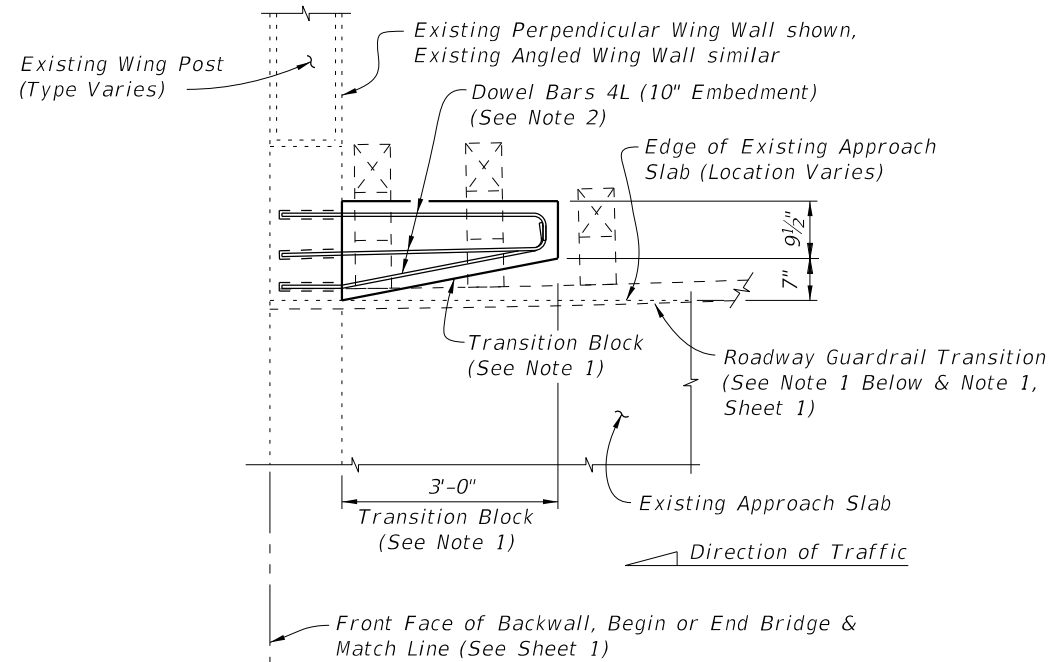


FY 2021-22
STANDARD PLANS

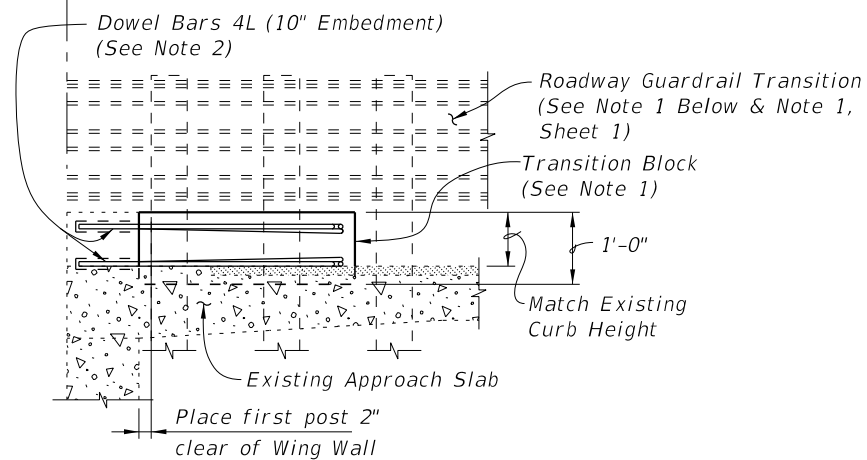
TRAFFIC RAILING - (VERTICAL FACE RETROFIT)
WIDE CURB

INDEX
521-482

SHEET
1 of 4



PARTIAL PLAN OF RAILING

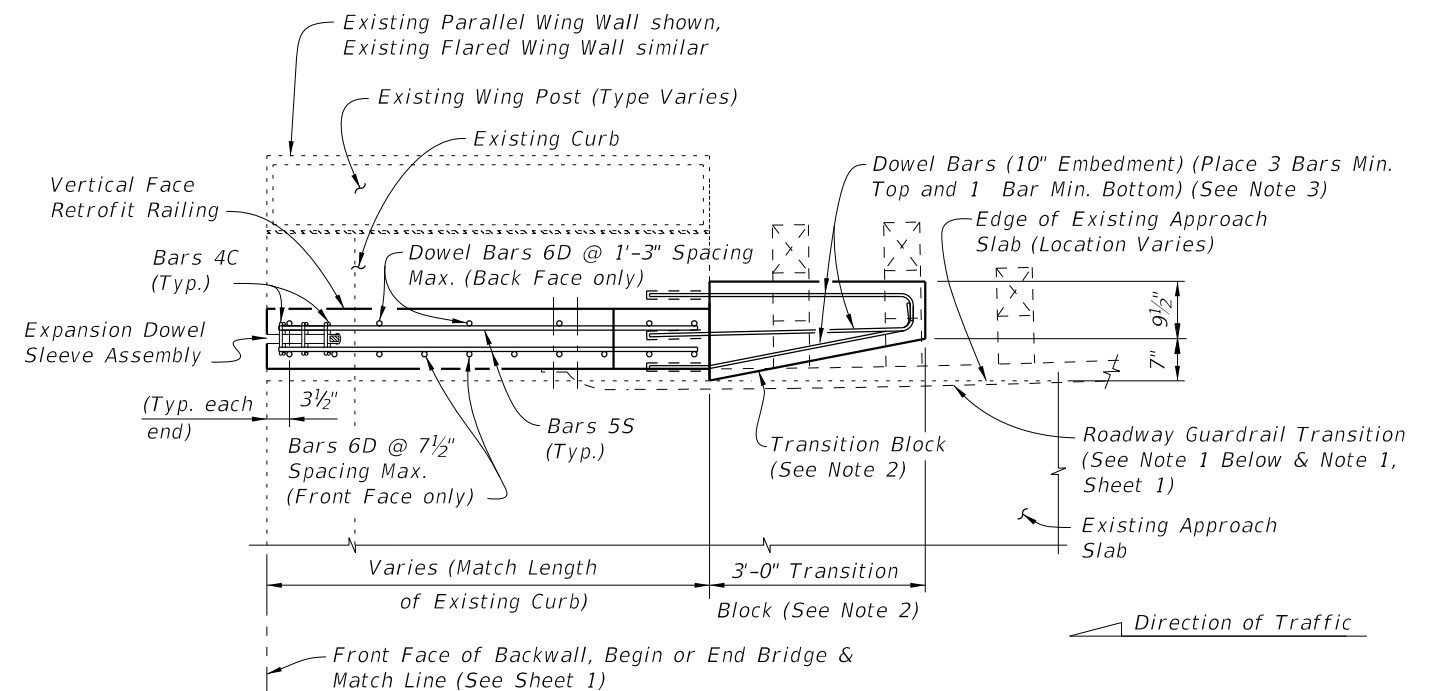


PARTIAL ELEVATION OF INSIDE FACE OF GUARDRAIL
(Existing Wing Post not shown for clarity)

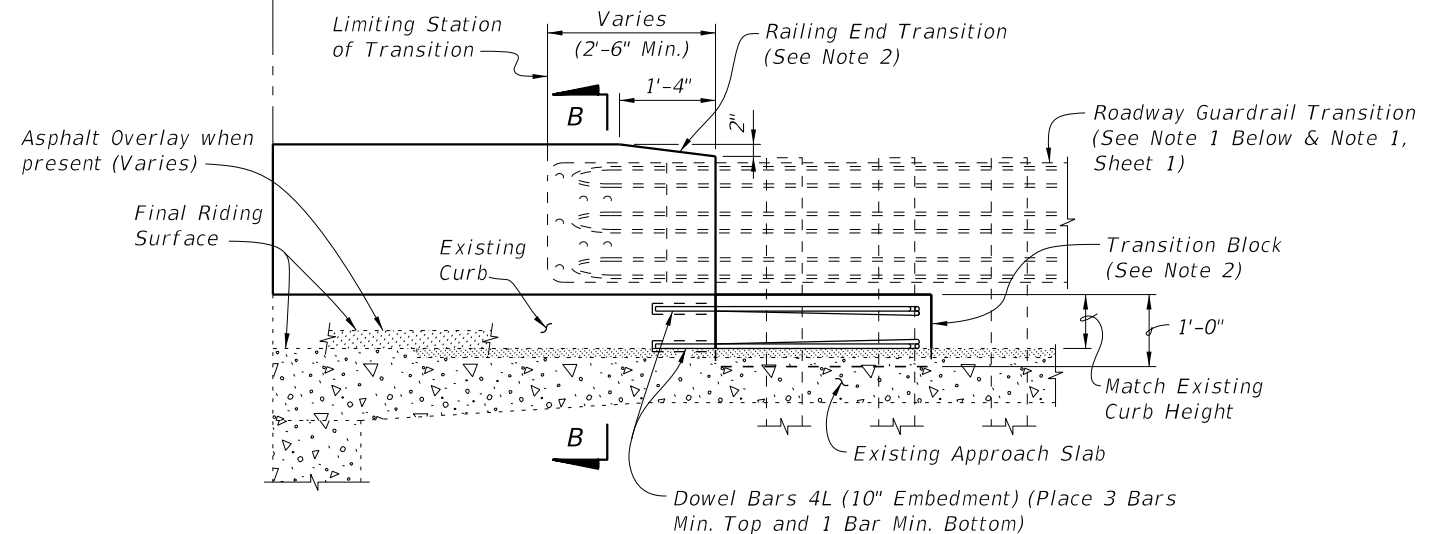
SCHEME 1
RAILING END TREATMENT FOR PERPENDICULAR OR ANGLED WING WALLS

SCHEME 1 NOTES:

1. Provide Transition Block (as shown) or Curb if existing Approach Slab does not have a curb, see Roadway Plans. Shape and height of Transition Block or Curb shall match existing bridge curb. Railing End Transition and Transition Block may be omitted on trailing ends with no opposing traffic.
2. Field bend Dowel Bars 4L within Transition Block as required to maintain 2" top and side clearance and 3" bottom clearance.
3. If a Special Steel Guardrail Post is required for attachment to the top of a sloping Wing Wall, saw cut and remove a wedge shaped portion of the sloping Wing Wall as required to provide a level surface for post installation.



PARTIAL PLAN OF RAILING



PARTIAL ELEVATION OF INSIDE FACE OF RAILING
(Existing Wing Post, Railing Reinforcing and Expansion Dowel Assemblies not shown for clarity)

SCHEME 2
RAILING END TREATMENT FOR PARALLEL CURBS

SCHEME 2 NOTES:

1. See Roadway Plans for limiting station of Roadway Guardrail Transition or other site specific treatment. If limiting station of Roadway Guardrail Transition is along the Wing Wall, attach Thrie-Beam Terminal Connector to railing as shown above. If limiting station of Roadway Guardrail Transition is on the bridge, see Sheet 1. On skewed bridges, if the skew along the deck joint extends across the width of the railing, the 2'-6" minimum dimension shall apply to both the front and back face of the railing.
2. Provide Transition Block (as shown) or Curb if existing Approach Slab Curb does not extend beyond end of existing End Bent Wing Wall, see Roadway Plans. Shape and height of Transition Block or Curb shall match existing bridge curb. Railing End Transition and Transition Block may be omitted on trailing ends with no opposing traffic.
3. Field bend Dowel Bars 4L within Transition Block as required to maintain 2" top and side clearance and 3" bottom clearance.

10/01/2020 9:25:07 AM

LAST REVISION 07/01/05	DESCRIPTION:
---------------------------	--------------

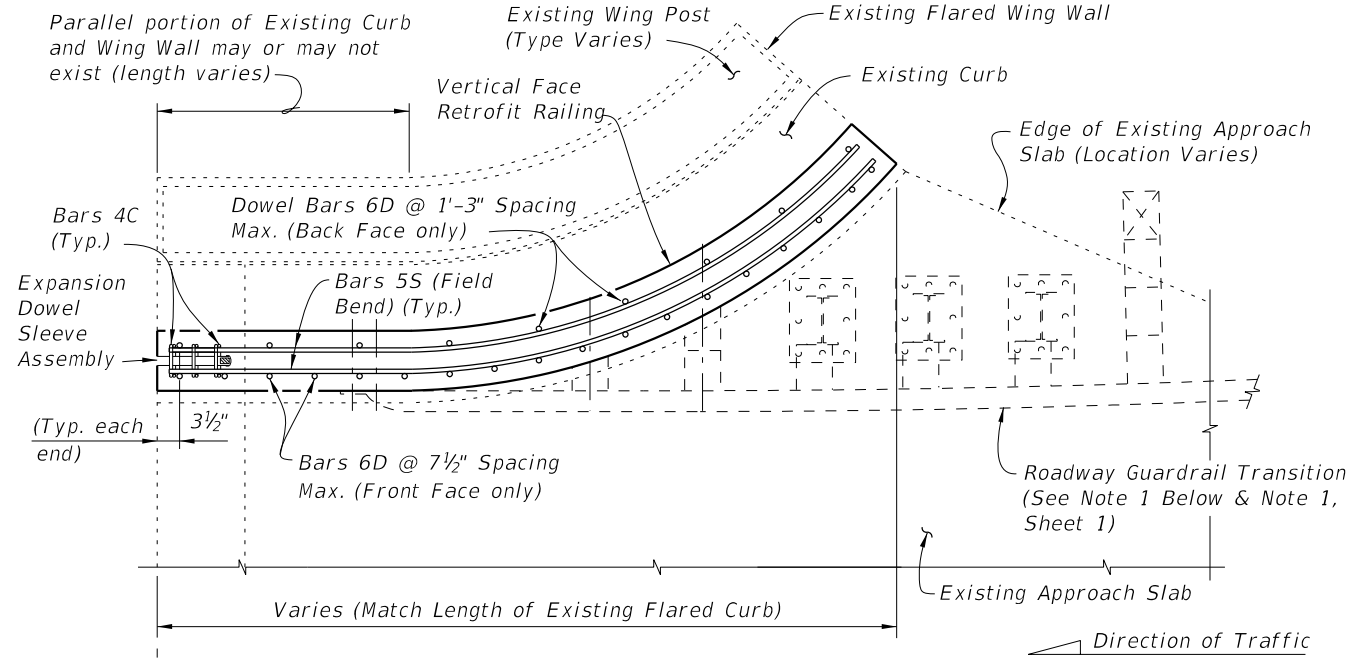


FY 2021-22
STANDARD PLANS

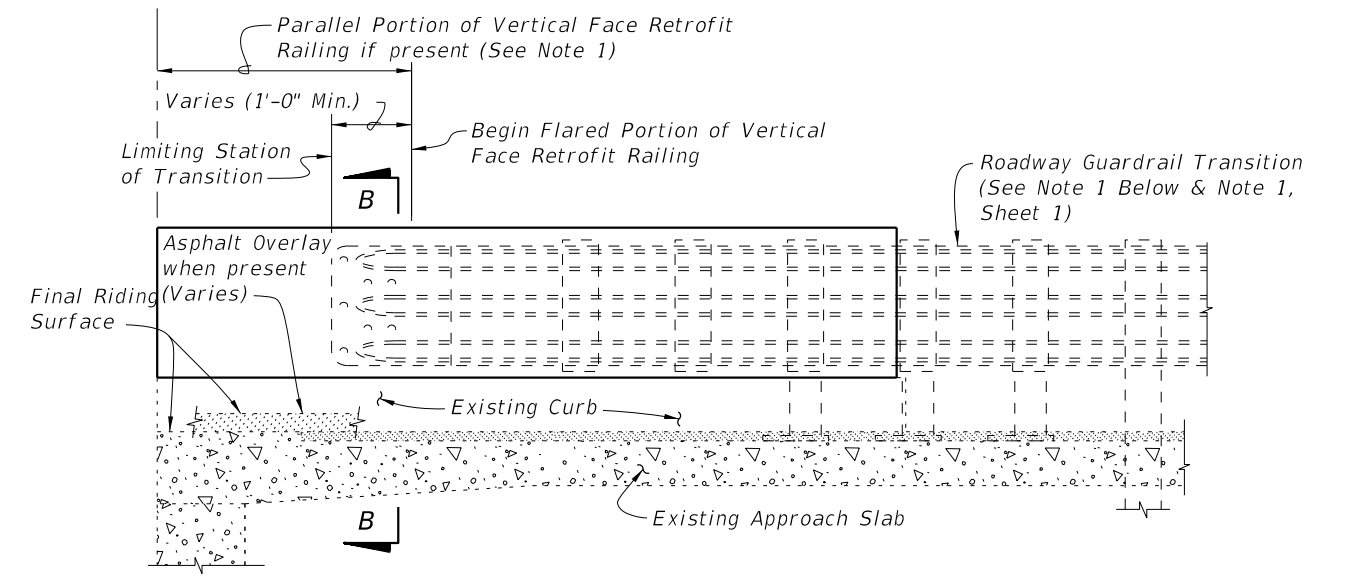
TRAFFIC RAILING - (VERTICAL FACE RETROFIT)
WIDE CURB

INDEX
521-482

SHEET
2 of 4



PARTIAL PLAN OF RAILING



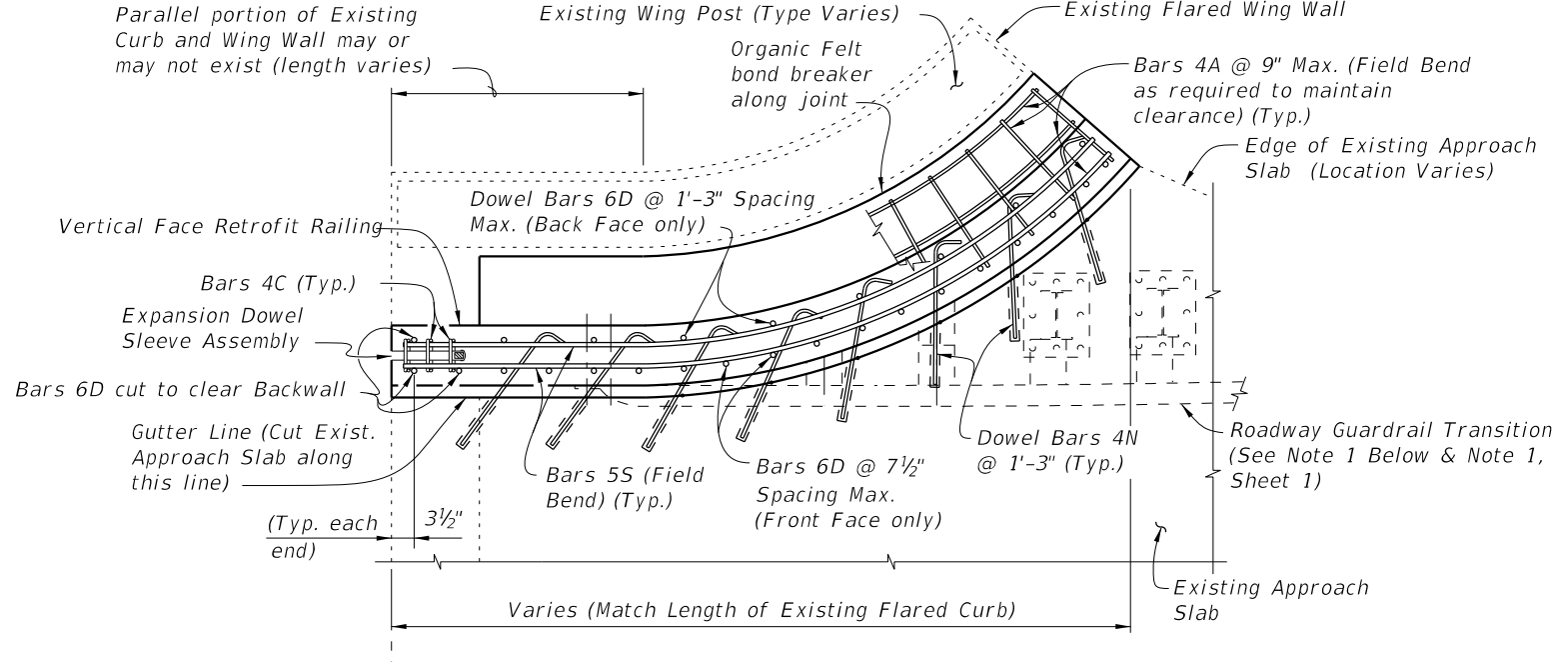
PARTIAL ELEVATION OF INSIDE FACE OF RAILING

(Existing Wing Post, Railing Reinforcing and Expansion Dowel Assemblies not shown for clarity)

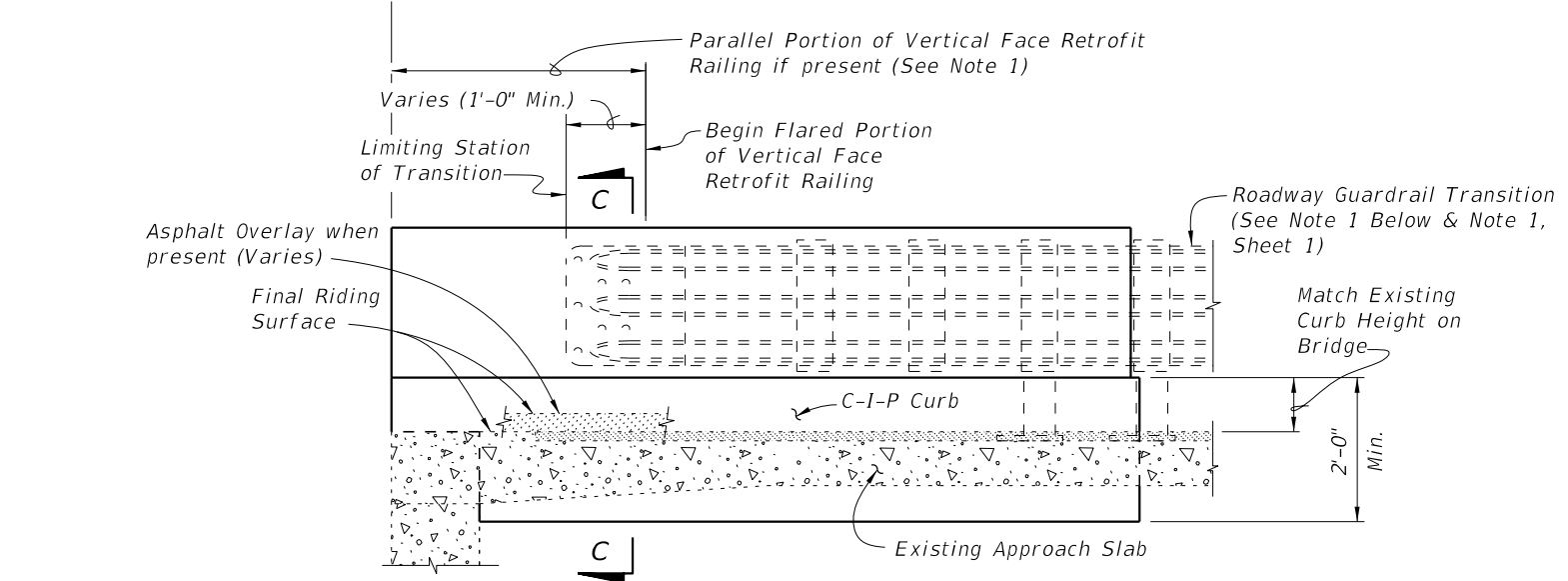
SCHEME 3
RAILING END TREATMENT FOR FLARED CURBS

SCHEME 3 NOTE:

1. See Roadway Plans for limiting station of Roadway Guardrail Transition or other site specific treatment. If limiting station of Roadway Guardrail Transition is along the Wing Wall, attach Thrie-Beam Terminal Connector to railing as shown above. If limiting station of Roadway Guardrail Transition is on the bridge, see Sheet 1.



PARTIAL PLAN OF RAILING



PARTIAL ELEVATION OF INSIDE FACE OF RAILING

(Existing Wing Post, Railing Reinforcing and Expansion Dowel Assemblies not shown for clarity)

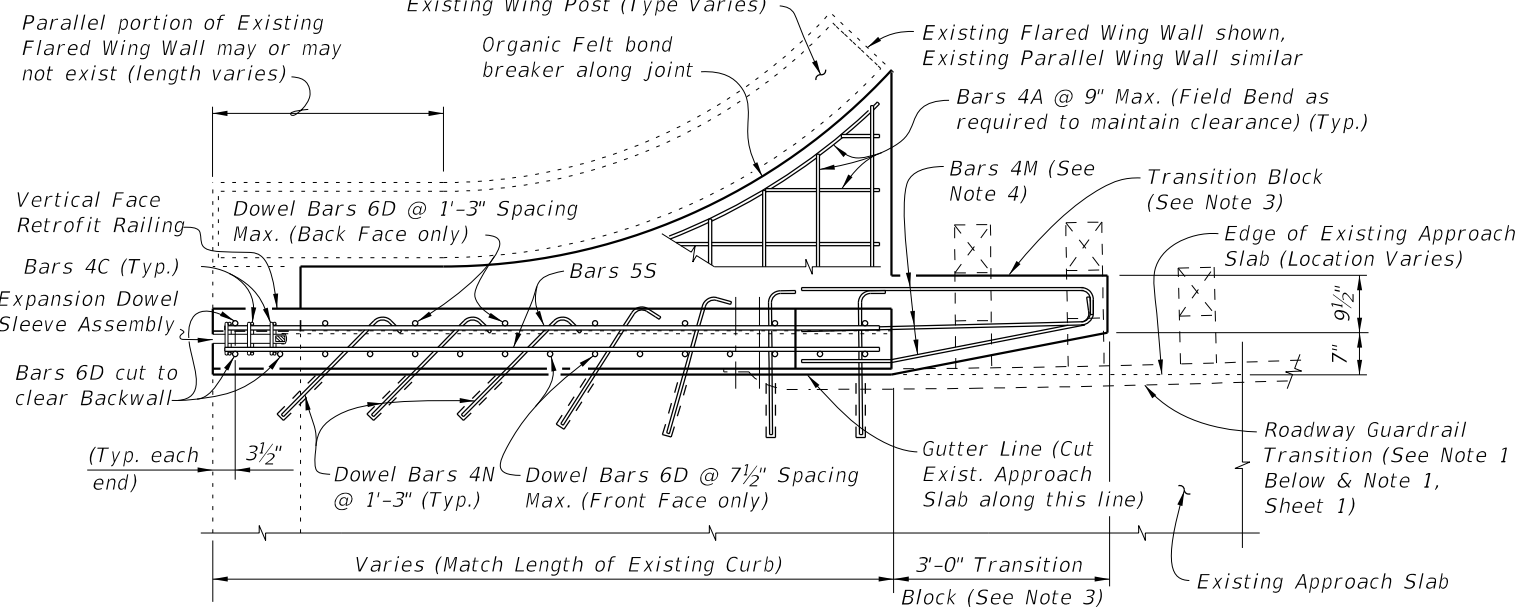
SCHEME 4
RAILING END TREATMENT FOR FLARED CURBS

SCHEME 4 NOTES:

1. See Roadway Plans for limiting station of Roadway Guardrail Transition or other site specific treatment. If limiting station of Roadway Guardrail Transition is along the Wing Wall, attach Thrie-Beam Terminal Connector to railing as shown above. If limiting station of Roadway Guardrail Transition is on the bridge, see Sheet 1.
2. Dowel Bars 4N may be installed on a maximum angle of 45° to the cut edge of the Approach Slab as shown to facilitate drilling of holes and installation of bars.
3. At the Contractor's option, along the length of the Approach Slab curb that is to be replaced, Dowel Bars 6D may be cast in with the new section of curb as shown or they may be installed in drilled holes in the new section of curb using an Adhesive Bonding Material System with a 1'-0" minimum embedment.

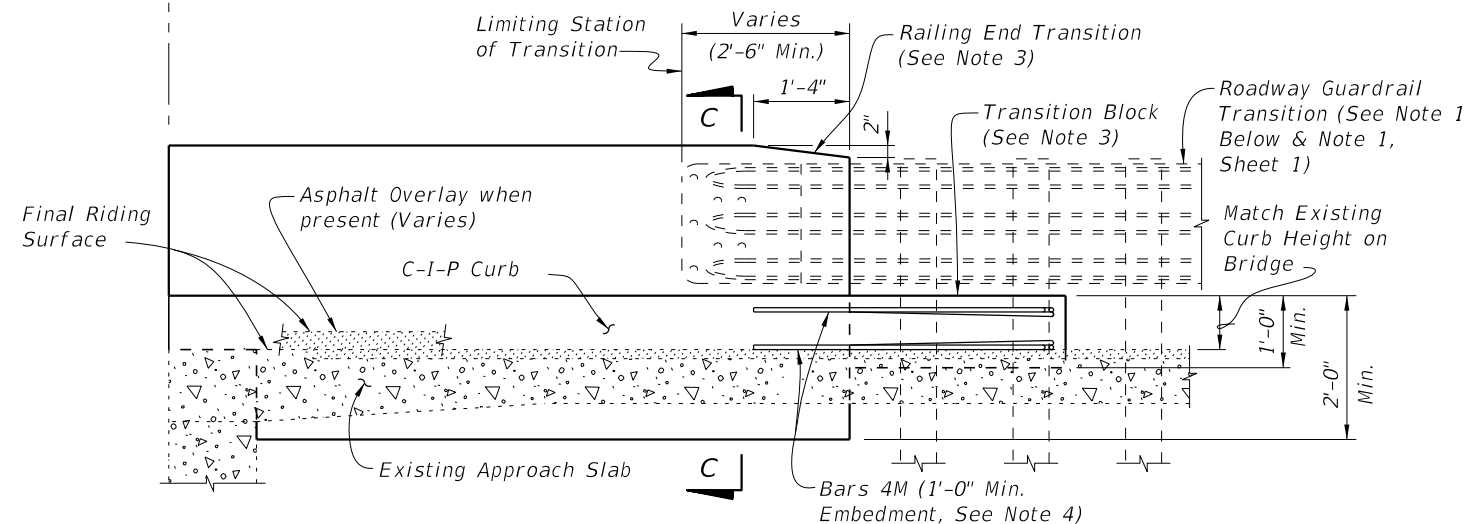
10/8/2020 9:25:09 AM

LAST REVISION 11/01/16	REVISION	DESCRIPTION:	 FY 2021-22 STANDARD PLANS	TRAFFIC RAILING - (VERTICAL FACE RETROFIT) WIDE CURB	INDEX 521-482	SHEET 3 of 4
---------------------------	----------	--------------	--	--	------------------	-----------------



PARTIAL PLAN OF RAILING

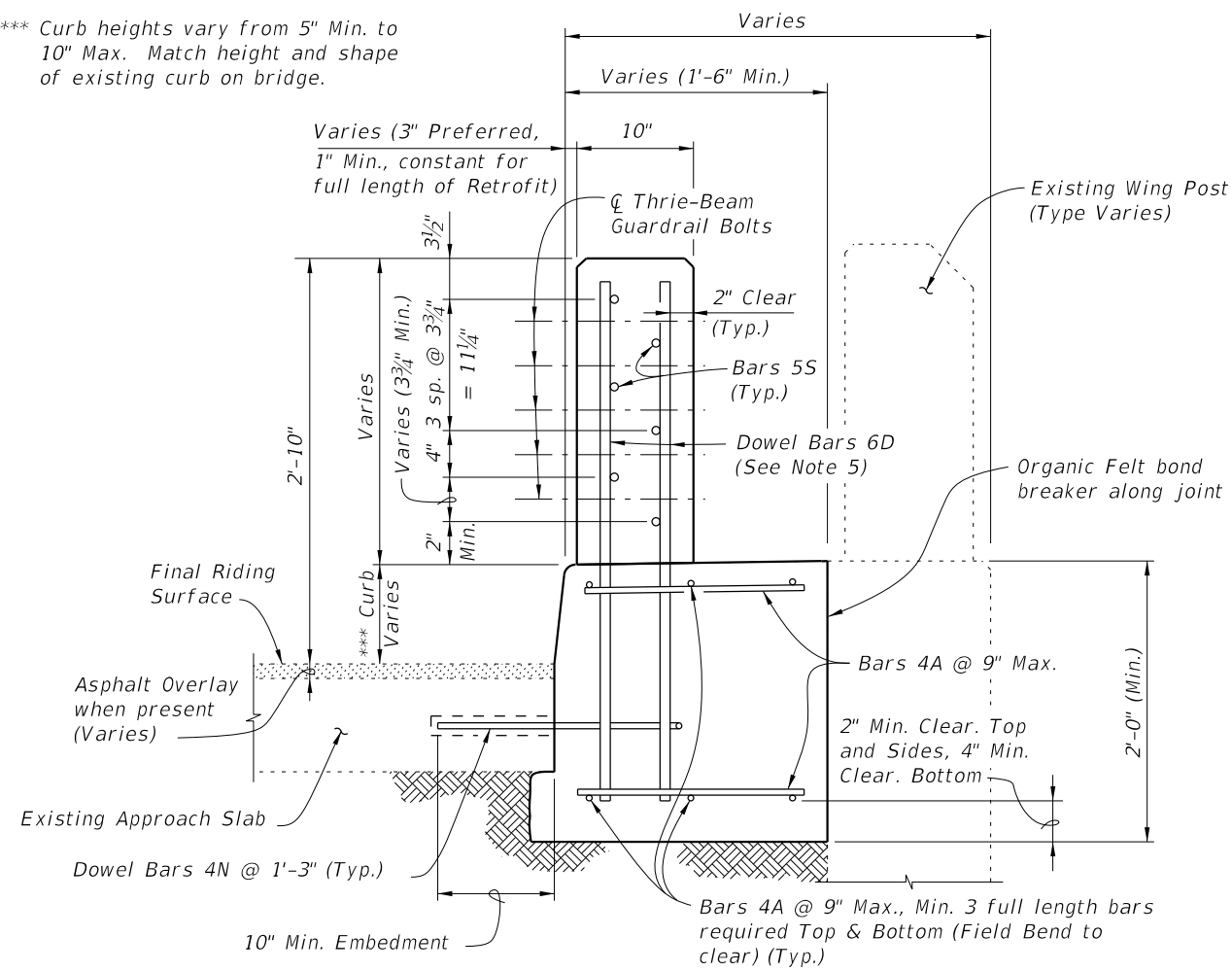
Front Face of Backwall, Begin or End Bridge & Match Line (See Sheet 1)



PARTIAL ELEVATION OF INSIDE FACE OF RAILING
(Existing Wing Post, Railing Reinforcing and Expansion Dowel Assemblies not shown for clarity)

SCHEME 5
RAILING END TREATMENT FOR PARALLEL CURBS

*** Curb heights vary from 5" Min. to 10" Max. Match height and shape of existing curb on bridge.



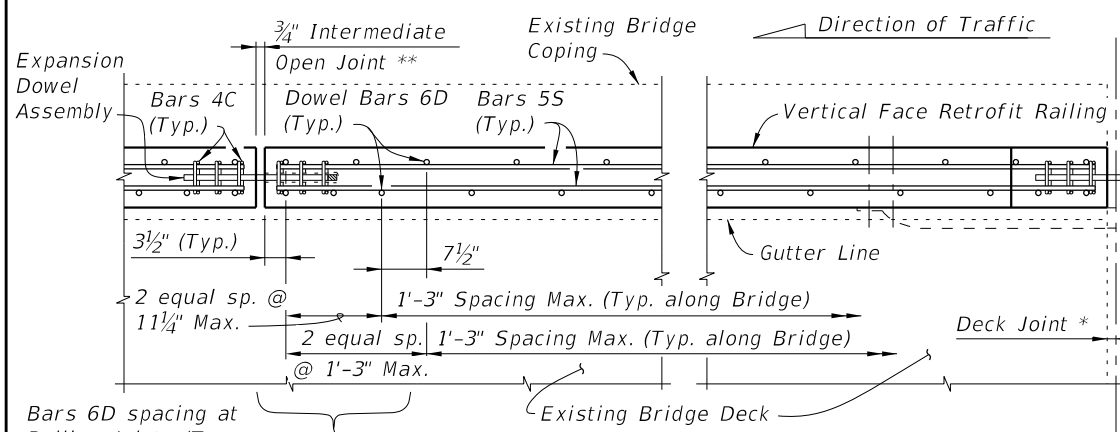
SECTION C-C
TYPICAL SECTION THRU RAILING ALONG APPROACH SLAB
(SCHEME 4 SHOWN, SCHEME 5 SIMILAR)

SCHEME 5 NOTES:

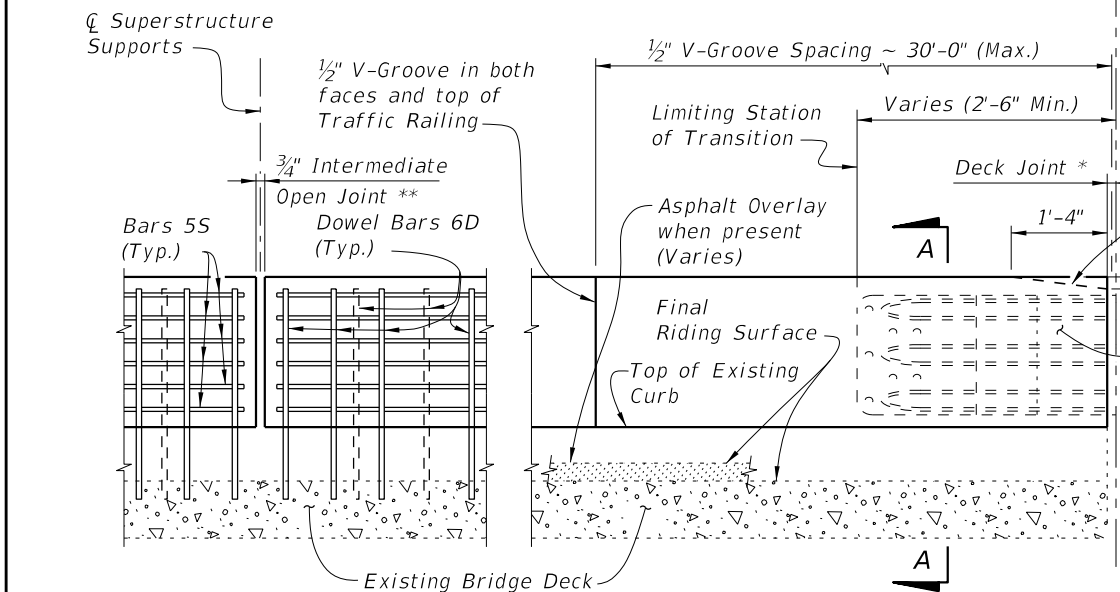
1. See Roadway Plans for limiting station of Roadway Guardrail Transition or other site specific treatment. If limiting station of Roadway Guardrail Transition is along the Wing Wall, attach Thrie-Beam Terminal Connector to railing as shown above. If limiting station of Roadway Guardrail Transition is on the bridge, see Sheet 1.
2. Dowel Bars 4N may be installed on a maximum angle of 45° to the cut edge of the Approach Slab as shown to facilitate drilling of holes and installation of bars.
3. Provide Transition Block (as shown) or Curb if existing Approach Slab Curb does not extend beyond end of existing End Bent Wing Wall, see Roadway Plans. Shape and height of Transition Block or Curb shall match existing bridge curb. Railing End Transition and Transition Block may be omitted on trailing ends with no opposing traffic.
4. Field bend Dowel Bars 4M within Transition Block as required to maintain 2" top and side clearance and 3" bottom clearance.
5. At the Contractor's option, along the length of the Approach Slab curb that is to be replaced, Dowel Bars 6D may be cast in with the new section of curb as shown or they may be installed in drilled holes in the new section of curb using an Adhesive Bonding Material System with a 1'-0" minimum embedment.

10/8/2020 9:25:11 AM

LAST REVISION 11/01/16	REVISION	DESCRIPTION:	 FY 2021-22 STANDARD PLANS	TRAFFIC RAILING - (VERTICAL FACE RETROFIT) WIDE CURB	INDEX 521-482	SHEET 4 of 4
---------------------------	----------	--------------	--	---	------------------	-----------------



PARTIAL PLAN OF RAILING



PARTIAL ELEVATION OF INSIDE FACE OF RAILING
(Expansion Dowel Assemblies and Bars 4C not shown for clarity)

TYPICAL TREATMENT OF RAILING ALONG BRIDGE

- NOTES:**
1. On approach end provide a Roadway Guardrail Transition, Index 536-002 (as shown) or other site specific treatment. See Roadway Plans for limiting station of Roadway Guardrail Transition or other site specific treatment. If limiting station of Roadway Guardrail Transition is on the bridge, attach Thrie-Beam Terminal Connector to railing as shown above. If limiting station of Roadway Guardrail Transition is along the Wing Wall, see Schemes 2 or 3, Sheets 2 & 3. On skewed bridges, if the skew along the deck joint extends across the width of the railing, the 2'-6" minimum dimension shall apply to both the front and back face of the railing. For treatment of trailing end see Roadway Plans. If vertical face retrofit extends beyond bridge and approach slab ends, see Index 521-484 for treatment and Details.
 2. Field cut Bars 5S and Dowel Bars 6D to maintain clearance within Vertical Face Retrofit Railing.
 3. Where existing structure has been removed and not encased in new concrete; match adjoining areas and finish flat by grouting or grinding as required. Exposed existing reinforcing steel not encased in new concrete shall be burned off 1" below existing concrete and grouted over.

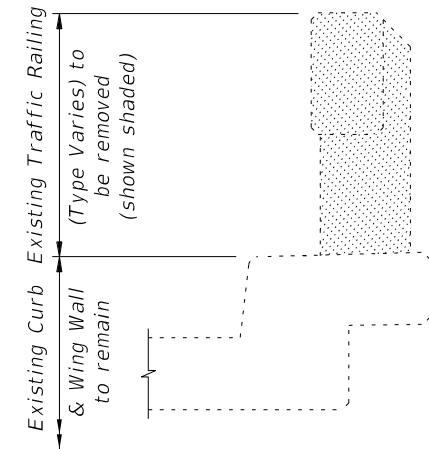
- * Non skewed deck joint shown, actual joint dimensions and orientation vary. For treatment at skewed deck joints see Skew Detail, Index 521-480. Provide open Railing Joints at Deck Expansion Joint locations matching the dimension of the Deck Joint.
- ** Provide 3/4" Intermediate Open Joints at :
(1) - Superstructure supports where slab is continuous.
- *** Curb heights vary from 5" Min. to 1'-2" Max.

Expansion Dowel & Bars 4C not required at end of railing for Scheme 1, except where traffic railing retrofit extends beyond ends of bridge, see Index 521-484

Front Face of Backwall, Begin or End Bridge & Match Line (See Sheet 2 and 3 and Index 521-484, Sheets 5, 9 & 10.)

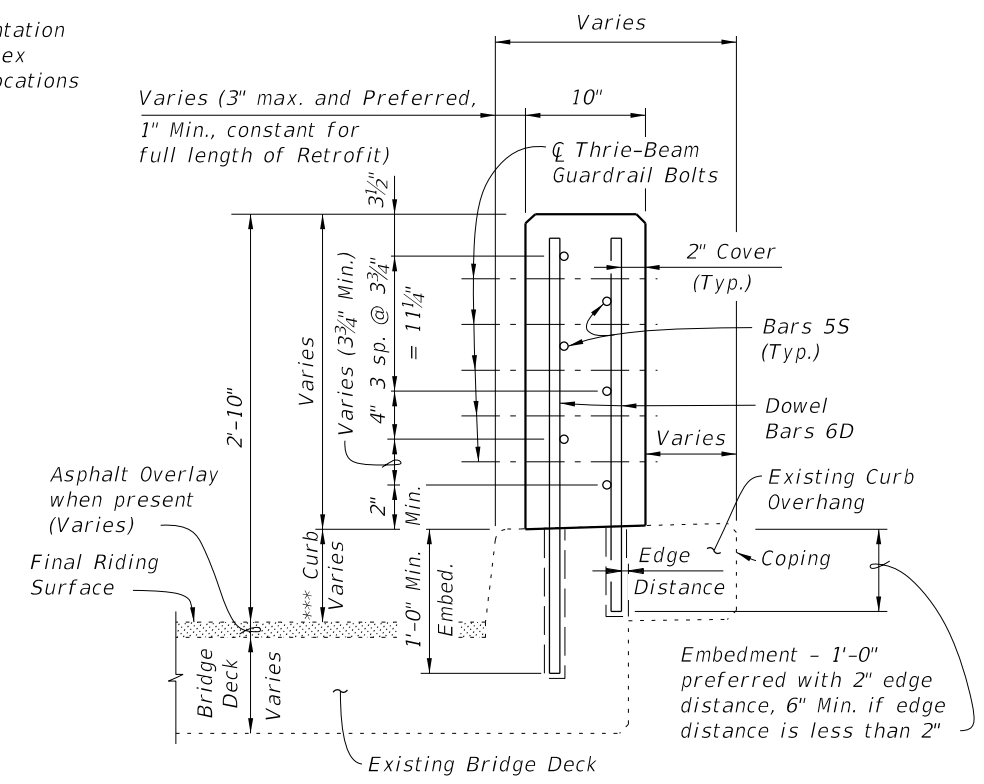
Railing End Transition Scheme 1 only (See Note 1, Scheme 1, Sheet 2, & Index 521-484, Sheet 5, 9 & 10)

Roadway Guardrail Transition (See Note 1)

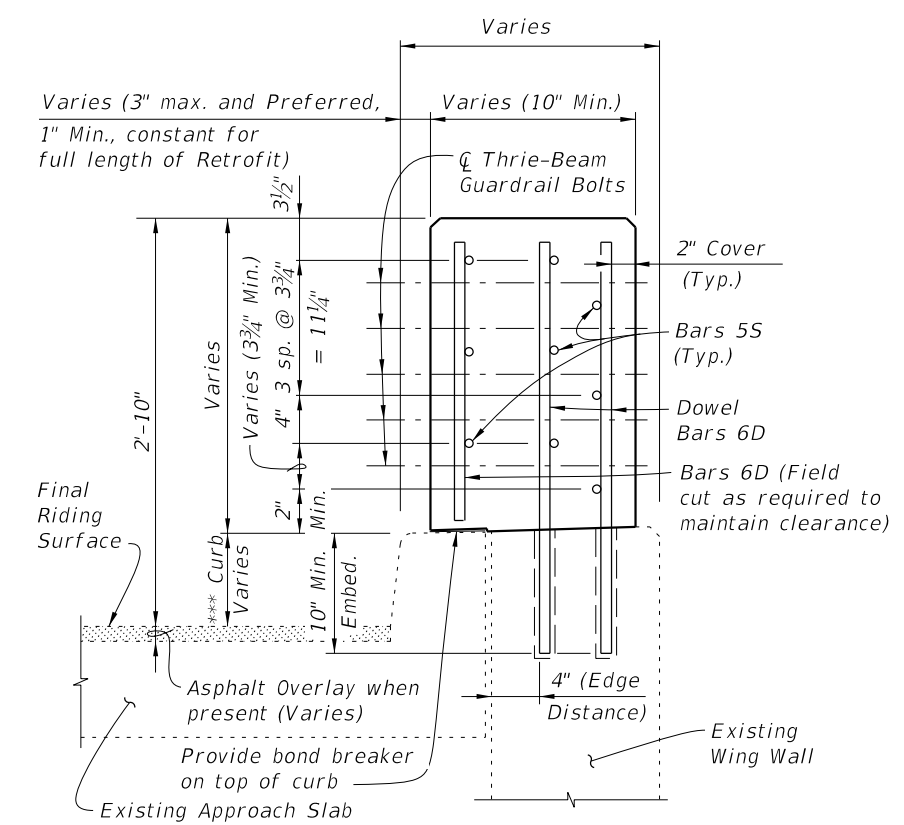


TYPICAL SECTION THRU EXISTING TRAFFIC RAILING SHOWING LIMITS OF REMOVAL
(BRIDGE DECK SHOWN, WING WALL SIMILAR)

CROSS REFERENCE:
For General Notes, Estimated Quantities, Dowel Detail, Expansion Dowel Detail, Reinforcing Steel Notes & Bending Diagram see Index 521-480.



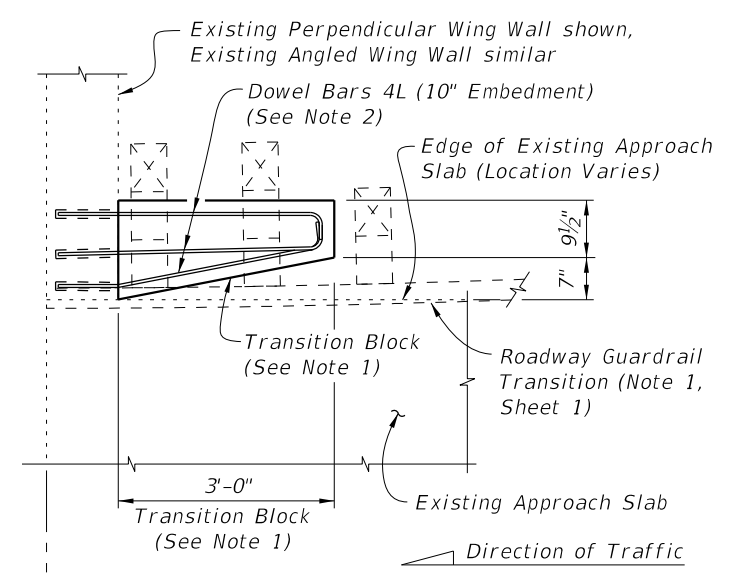
SECTION A-A
TYPICAL SECTION THRU RAILING ON BRIDGE DECK



SECTION B-B
TYPICAL SECTION THRU RAILING ON WING WALL

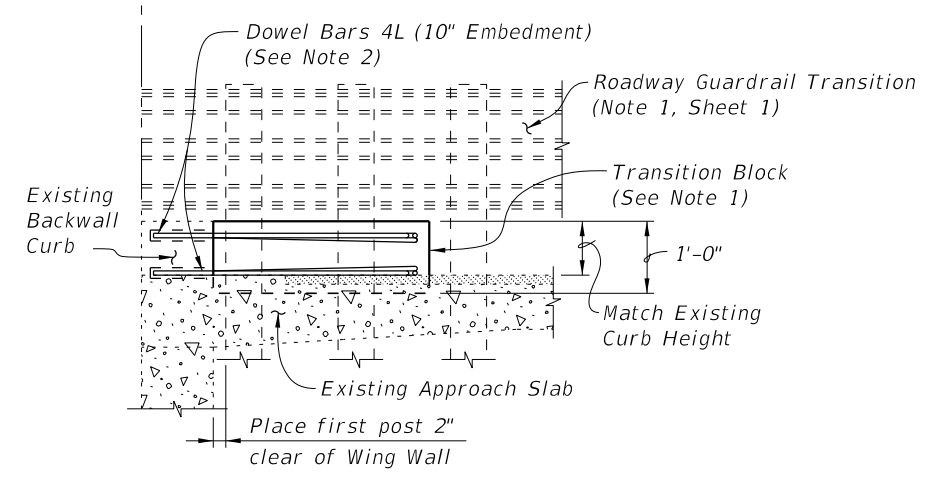
10/8/2020 9:25:13 AM

LAST REVISION 07/01/13	REVISION	DESCRIPTION:		FY 2021-22 STANDARD PLANS	TRAFFIC RAILING - (VERTICAL FACE RETROFIT) INTERMEDIATE CURB	INDEX 521-483	SHEET 1 of 3
---------------------------	----------	--------------	--	------------------------------	---	------------------	-----------------



Front Face of Backwall, Begin or End Bridge & Match Line (See Sheet 1)

PARTIAL PLAN OF GUARDRAIL

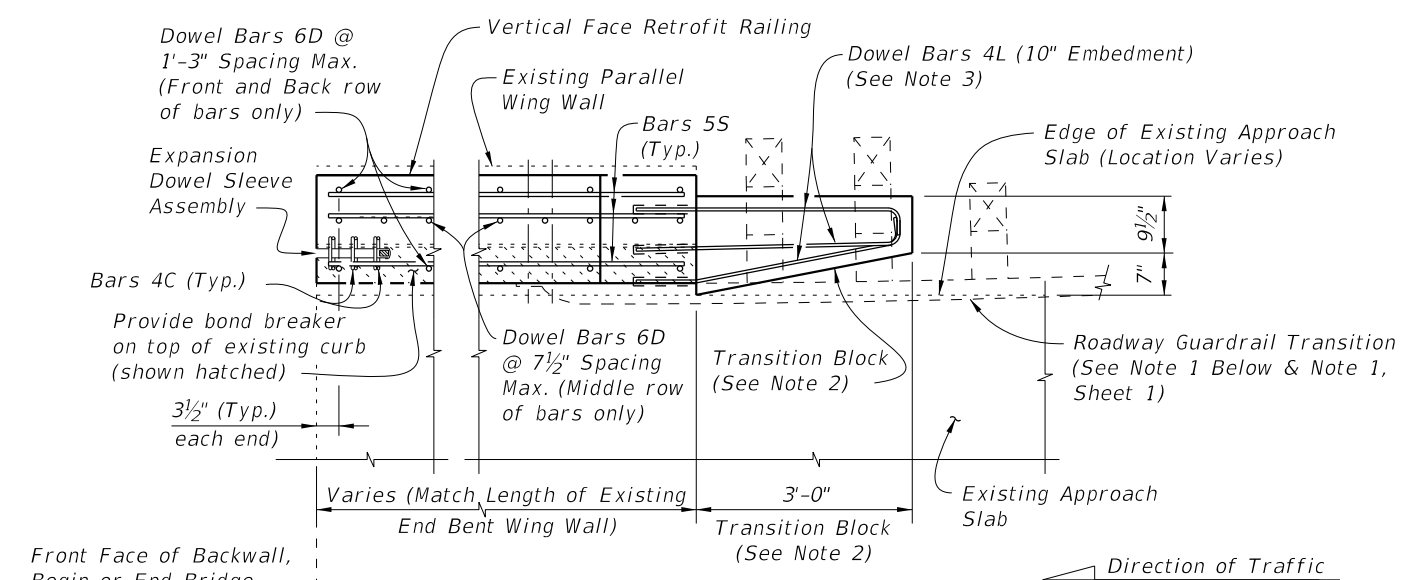


PARTIAL ELEVATION OF INSIDE FACE OF GUARDRAIL

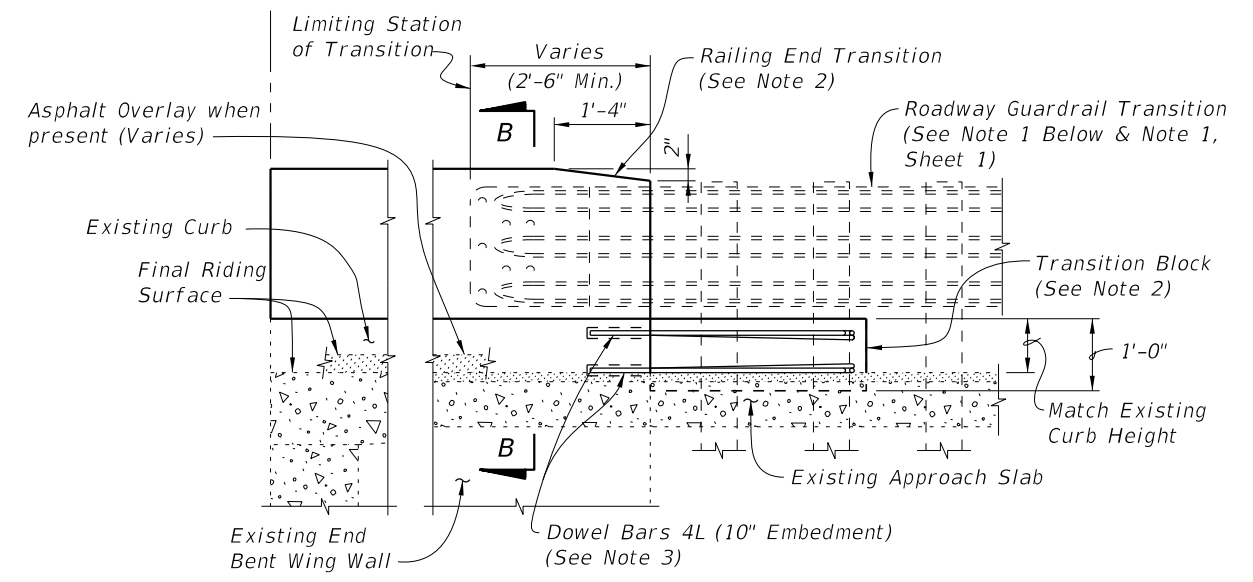
SCHEME 1
RAILING END TREATMENT FOR PERPENDICULAR OR ANGLED WING WALLS

SCHEME 1 NOTES:

1. Provide Transition Block (as shown) or Curb if existing Approach Slab does not have a curb, see Roadway Plans. Shape and height of Transition Block or Curb shall match existing bridge curb. Railing End Transition and Transition Block may be omitted on trailing ends with no opposing traffic.
2. Field bend Dowel Bars 4L within Transition Block as required to maintain 2" top and side clearance and 3" bottom clearance.
3. If a Special Steel Guardrail Post is required for attachment to the top of a sloping Wing Wall, saw cut and remove a wedge shaped portion of the sloping Wing Wall as required to provide a level surface for post installation.



PARTIAL PLAN OF RAILING



PARTIAL ELEVATION OF INSIDE FACE OF RAILING
 (Railing Reinforcing and Expansion Dowel Assemblies not shown for clarity)

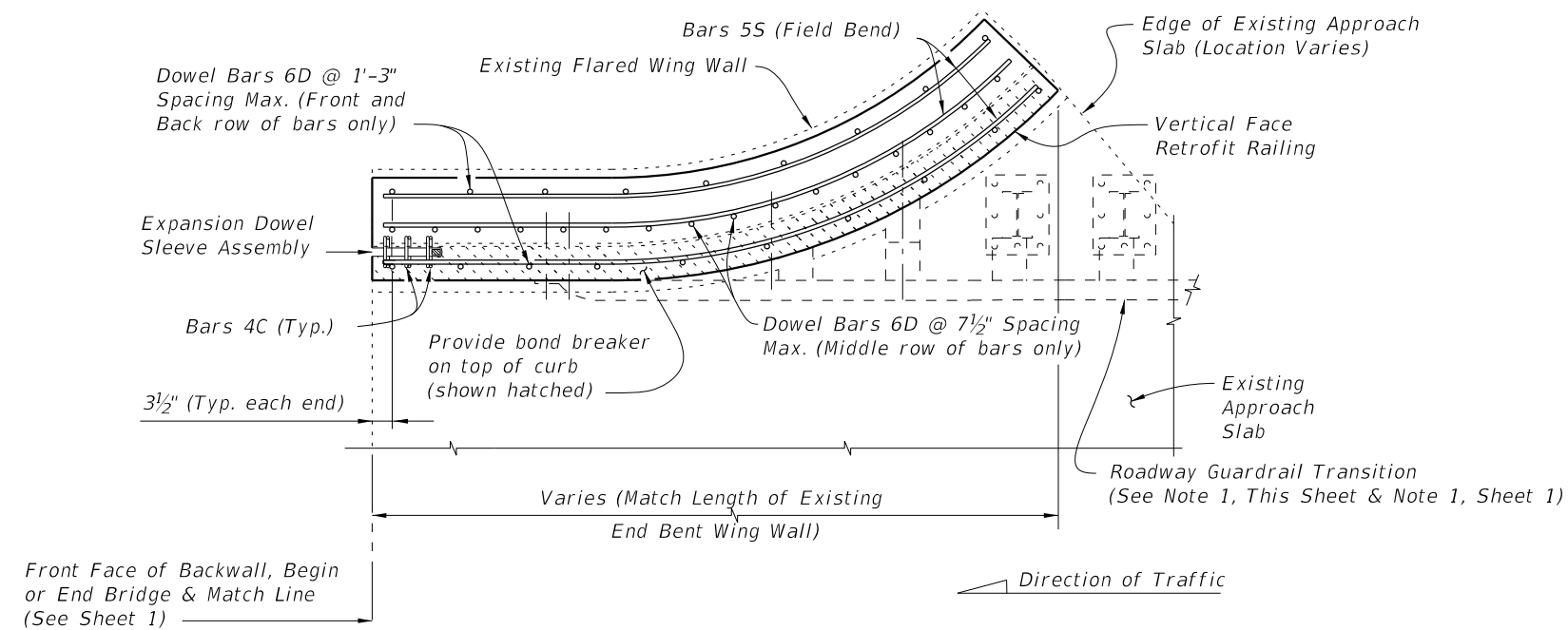
SCHEME 2
RAILING END TREATMENT FOR PARALLEL WING WALLS

SCHEME 2 NOTES:

1. See Roadway Plans for limiting station of Roadway Guardrail Transition or other site specific treatment. If limiting station of Roadway Guardrail Transition is along the Wing Wall, attach Thrie-Beam Terminal Connector to railing as shown above. If limiting station of Roadway Guardrail Transition is on the bridge, see Sheet 1. On skewed bridges, if the skew along the deck joint extends across the width of the railing, the 2'-6" minimum dimension shall apply to both the front and back face of the railing.
2. Provide Transition Block (as shown) or Curb if existing Approach Slab Curb does not extend beyond end of existing End Bent Wing Wall, see Roadway Plans. Shape and height of Transition Block or Curb shall match existing bridge curb. Railing End Transition and Transition Block may be omitted on trailing ends with no opposing traffic.
3. Field bend Dowel Bars 4L within Transition Block as required to maintain 2" top and side clearance and 3" bottom clearance.

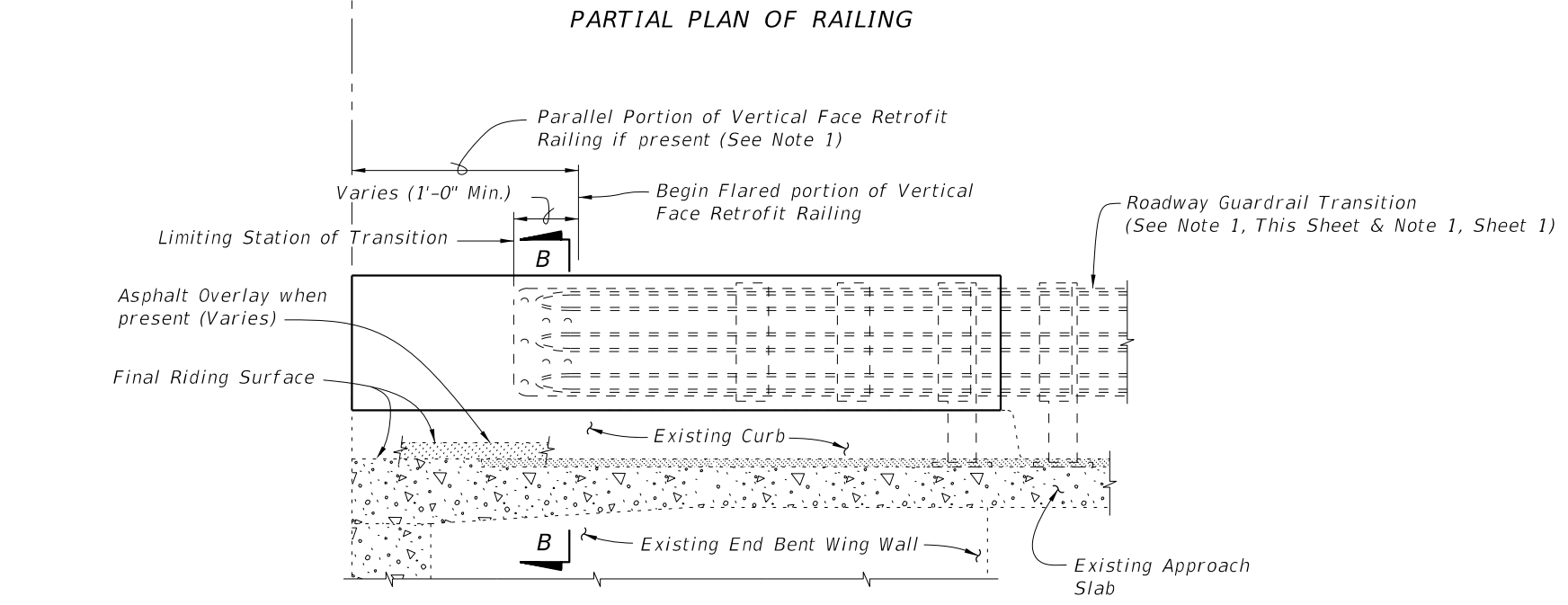
10/01/2020 9:25:16 AM

LAST REVISION 07/01/07	REVISION	DESCRIPTION:		FY 2021-22 STANDARD PLANS	TRAFFIC RAILING - (VERTICAL FACE RETROFIT) INTERMEDIATE CURB	INDEX 521-483	SHEET 2 of 3
---------------------------	----------	--------------	--	------------------------------	--	-------------------------	------------------------



SCHEME 3 NOTE:

1. See Roadway Plans for limiting station of Roadway Guardrail Transition or other site specific treatment. If limiting station of Roadway Guardrail Transition is along the Wing Wall, attach Thrie-Beam Terminal Connector to railing as shown above. If limiting station of Roadway Guardrail Transition is on the bridge, see Sheet 1.

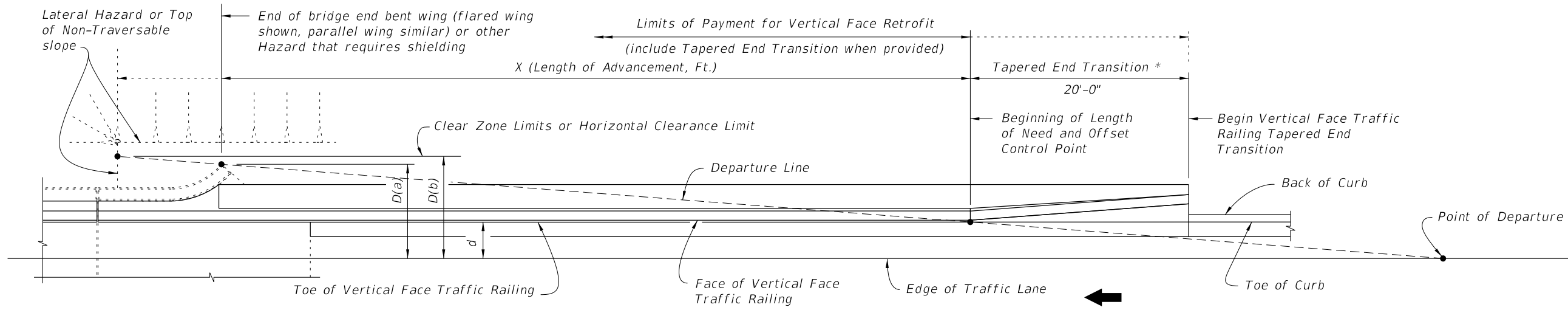


PARTIAL ELEVATION OF INSIDE FACE OF RAILING
 (Railing Reinforcing and Expansion Dowel Assemblies not shown for clarity)

===== SCHEME 3 =====
**RAILING END TREATMENT FOR
 FLARED WING WALLS**

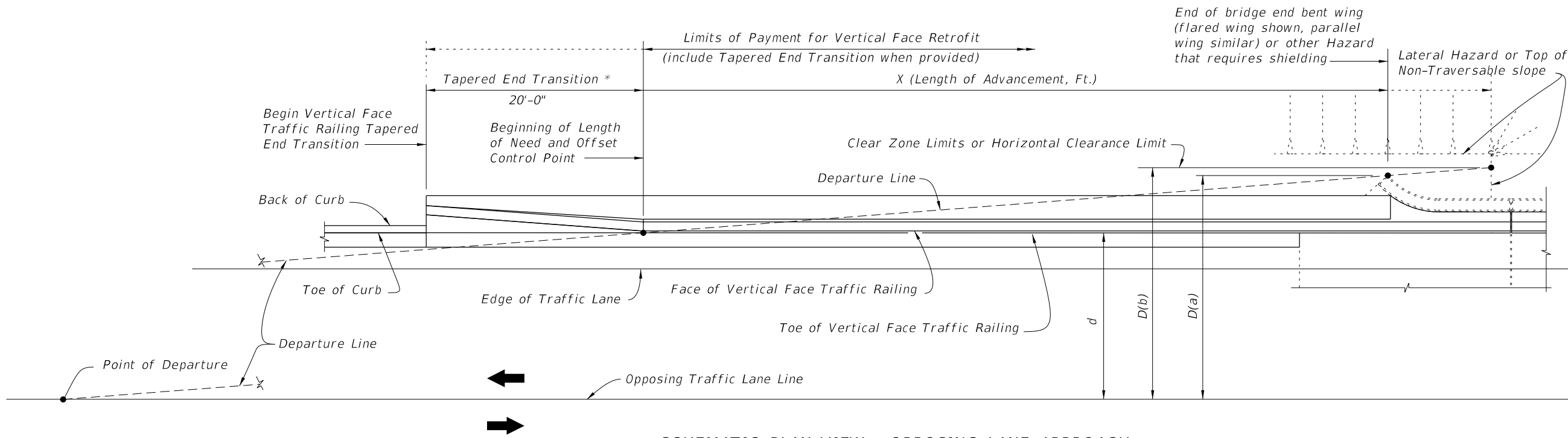
10/01/2020 9:25:18 AM

LAST REVISION 07/01/07	REVISION	DESCRIPTION:	 FY 2021-22 STANDARD PLANS	TRAFFIC RAILING - (VERTICAL FACE RETROFIT) INTERMEDIATE CURB	INDEX 521-483	SHEET 3 of 3
---------------------------	----------	--------------	----------------------------------	--	-------------------------	------------------------



* Guardrail or Crash Cushion may also be shown in the Contract Plans, in lieu of the Tapered End Transition.

SCHEMATIC PLAN VIEW - NEAR LANE APPROACH



SCHEMATIC PLAN VIEW - OPPOSING LANE APPROACH

CROSS REFERENCES:
 For General Notes, Dowel Details, Expansion Dowel Details, Reinforcing Steel Notes and Reinforcing Steel Bending Diagram see Index 521-480.

10/01/2020 9:25:19 AM

LAST REVISION 07/01/09	DESCRIPTION:
---------------------------	--------------



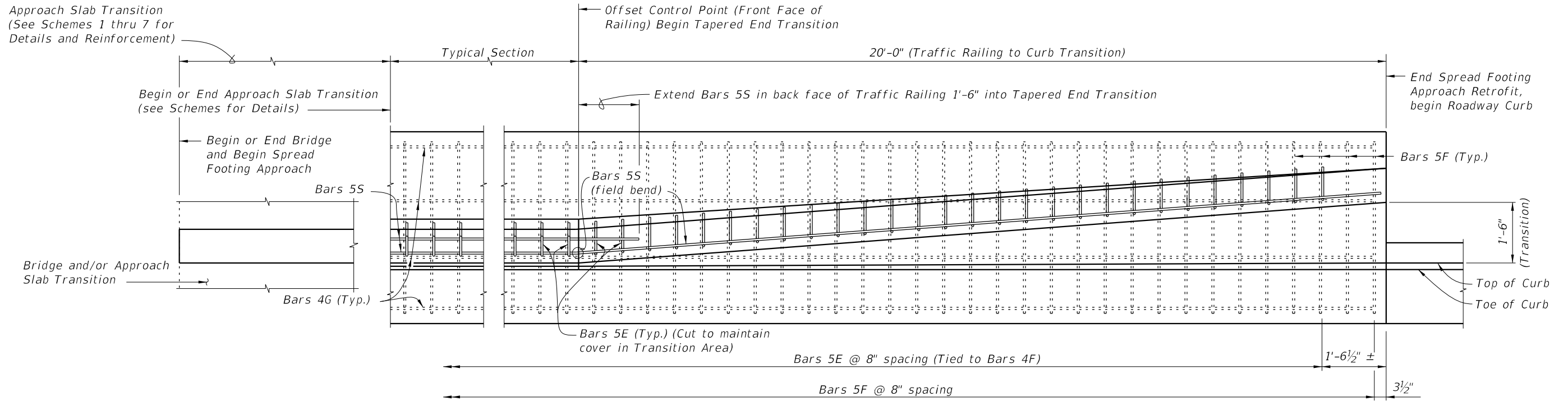
FY 2021-22
STANDARD PLANS

TRAFFIC RAILING - (VERTICAL FACE RETROFIT)
SPREAD FOOTING APPROACH

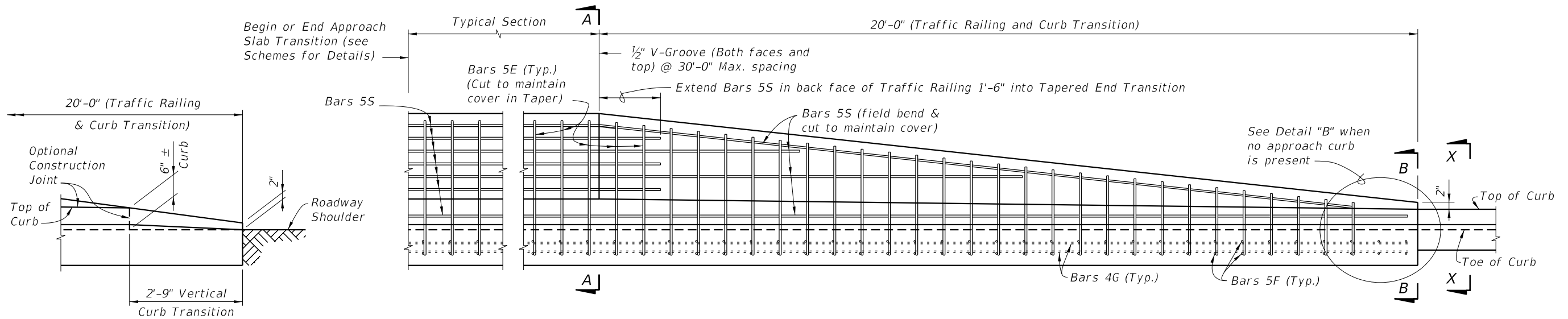
INDEX
521-484

SHEET
1 of 10

Approach Slab Transition
(See Schemes 1 thru 7 for
Details and Reinforcement)



PARTIAL PLAN VIEW



PARTIAL ELEVATION VIEW

DETAIL "B"
TRANSITION TO NON-CURB APPROACH
(Reinforcing Not Shown For Clarity)

TAPERED END TRANSITION

CROSS REFERENCES:
For Section A-A, B-B and X-X see Sheet 4.

10/8/2020 9:25:21 AM

LAST REVISION 07/01/09	DESCRIPTION:
---------------------------	--------------

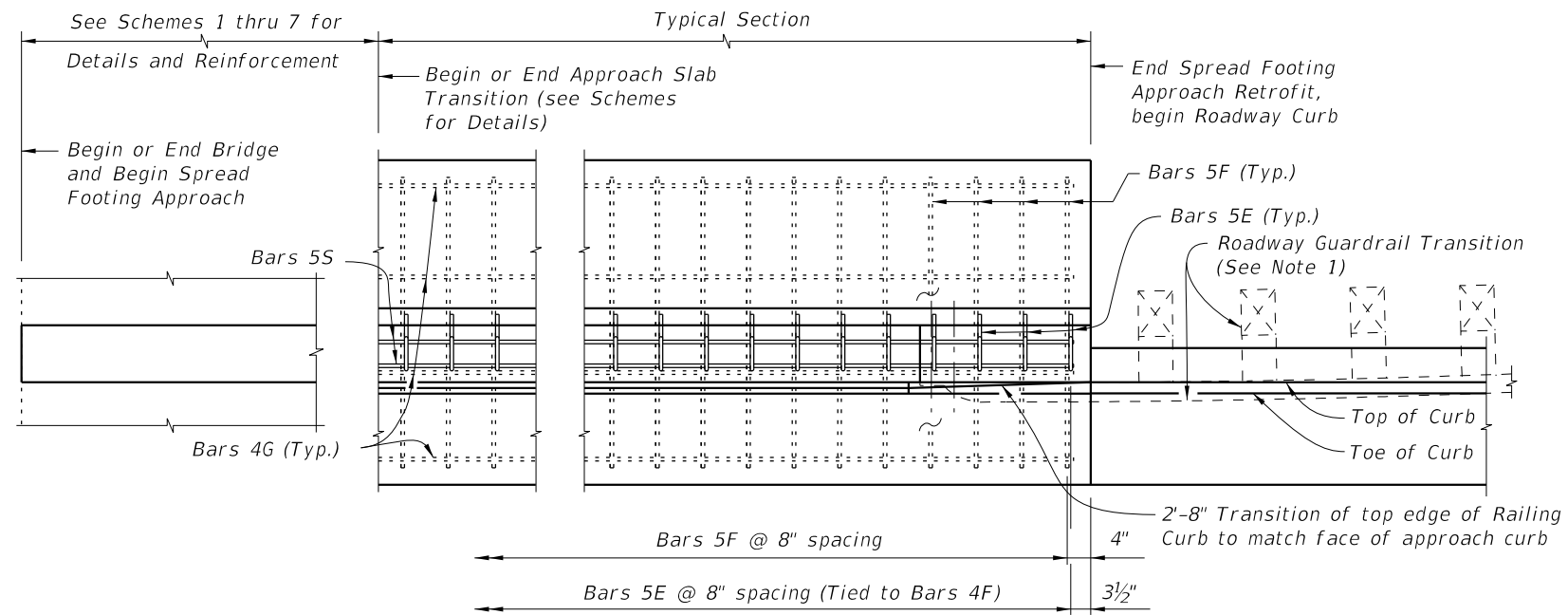


FY 2021-22
STANDARD PLANS

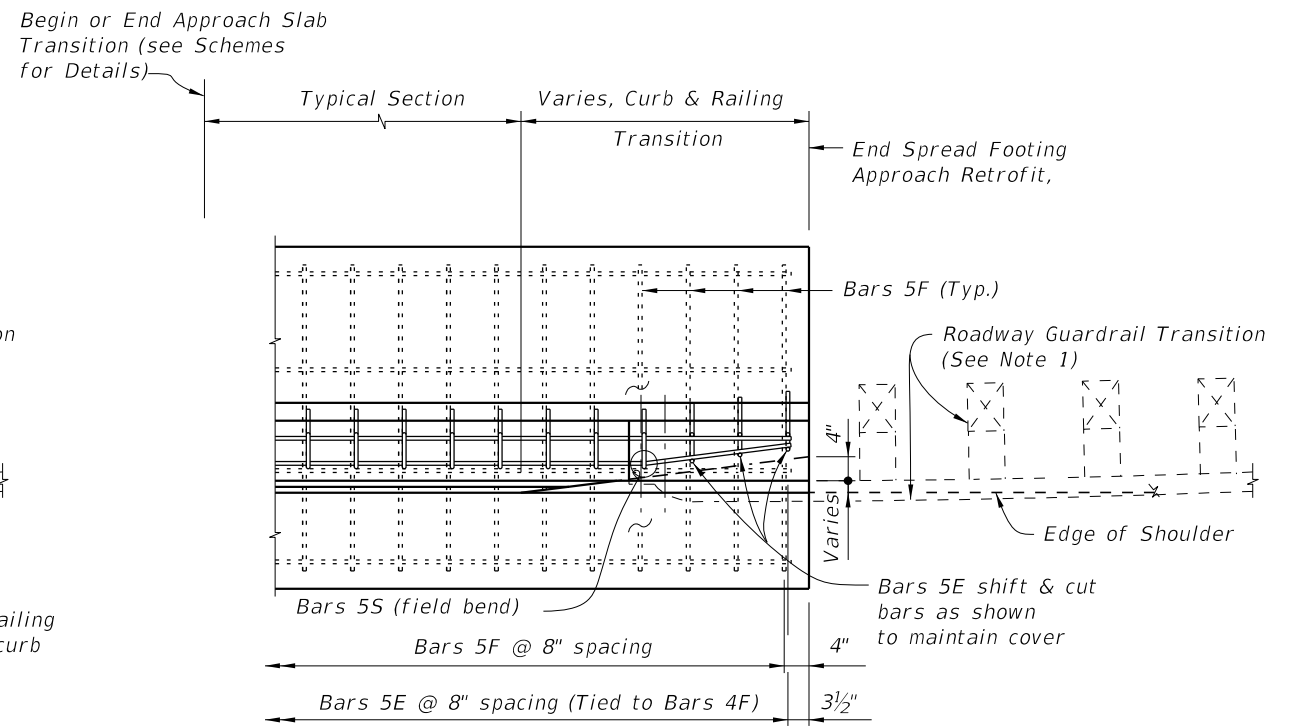
TRAFFIC RAILING - (VERTICAL FACE RETROFIT)
SPREAD FOOTING APPROACH

INDEX
521-484

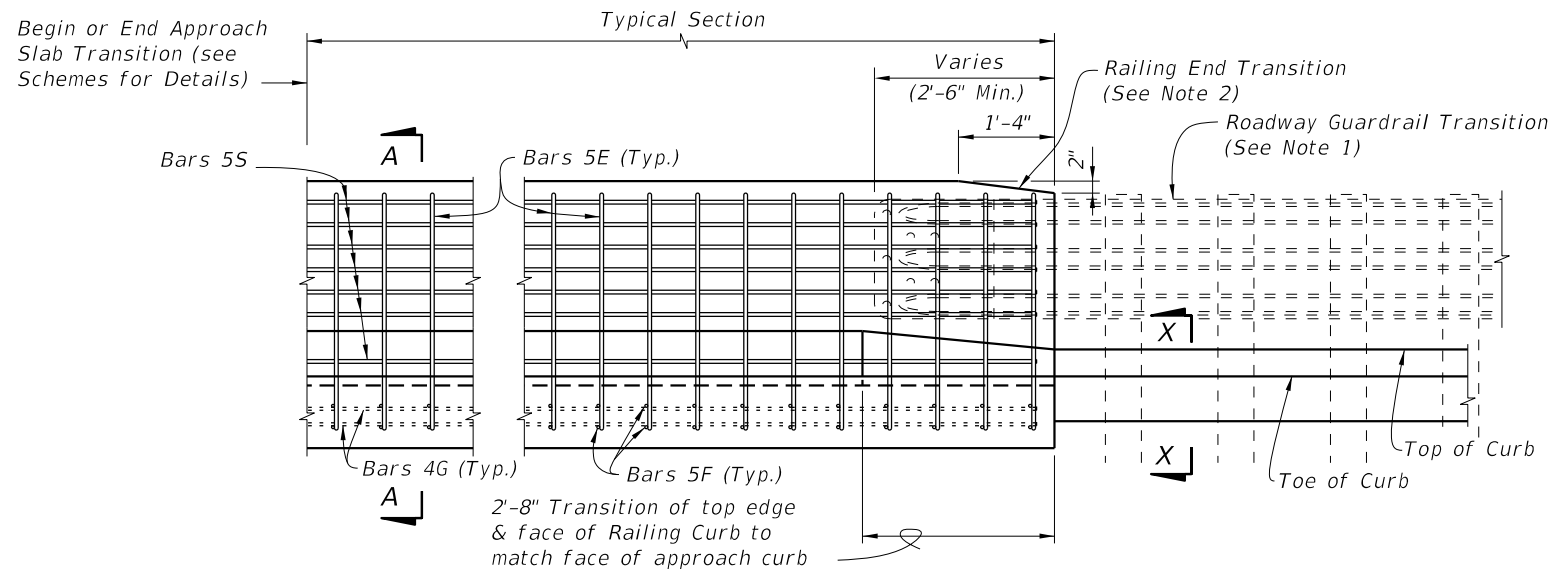
SHEET
2 of 10



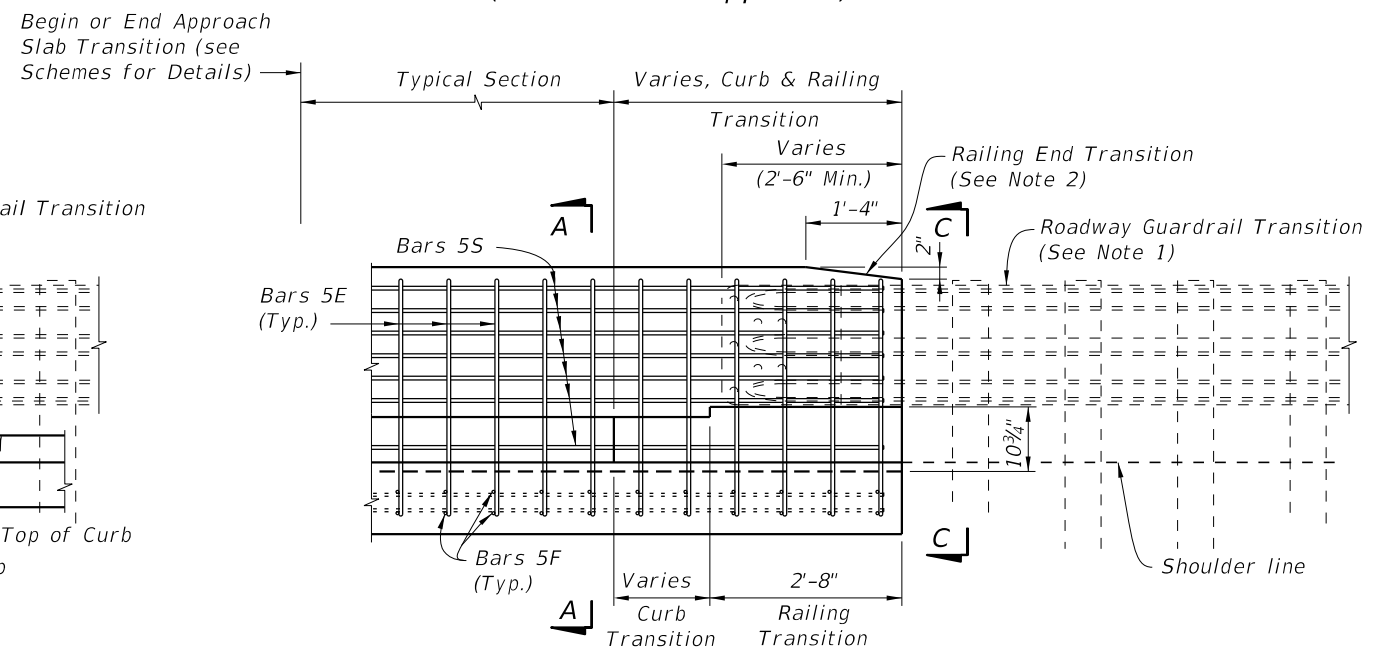
**PARTIAL PLAN VIEW
(With Curb Approach)**



**PARTIAL PLAN VIEW
(Without Curb Approach)**



**PARTIAL ELEVATION VIEW
(With Curb Approach)**



**PARTIAL ELEVATION VIEW
(Without Curb Approach)**

GUARDRAIL END TRANSITION

NOTES:

1. On approach end provide a Roadway Guardrail Transition, Index 536-002 (Sheet 16 - Scheme 1) or other site specific treatment. See Roadway Plans for limiting station of Roadway Guardrail Transition or other site specific treatment.
2. Provide Railing & Curb Base Transitions (as shown) if curb does not extend beyond end of Spread Footing Approach, see Roadway Plans. Railing End Transition & Railing & Curb Base Transitions may be omitted on trailing ends with no opposing traffic.

CROSS REFERENCES:

For Section A-A, C-C and X-X see Sheet 4.

10/8/2020 9:25:23 AM

LAST REVISION 07/01/09	DESCRIPTION:
---------------------------	--------------



FY 2021-22
STANDARD PLANS

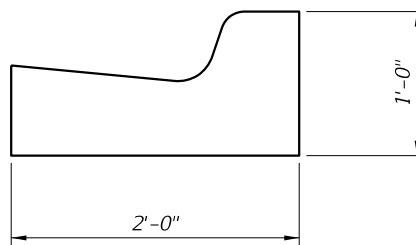
TRAFFIC RAILING - (VERTICAL FACE RETROFIT)
SPREAD FOOTING APPROACH

INDEX
521-484

SHEET
3 of 10

ESTIMATED TRAFFIC RAILING RETROFIT SPREAD FOOTING APPROACH QUANTITIES		
ITEM	UNIT	QUANTITY
		9" Curb
Concrete - Typical Section	CY/Ft.	0.25
Reinforcing Steel - Typical Section	Lb./Ft.	38
Concrete - 20'-0" Tapered End Transition plus Footing	CY	4.57 Total
Reinforcing Steel - 20'-0" Tapered End Transition plus Footing	Lb.	776 Total

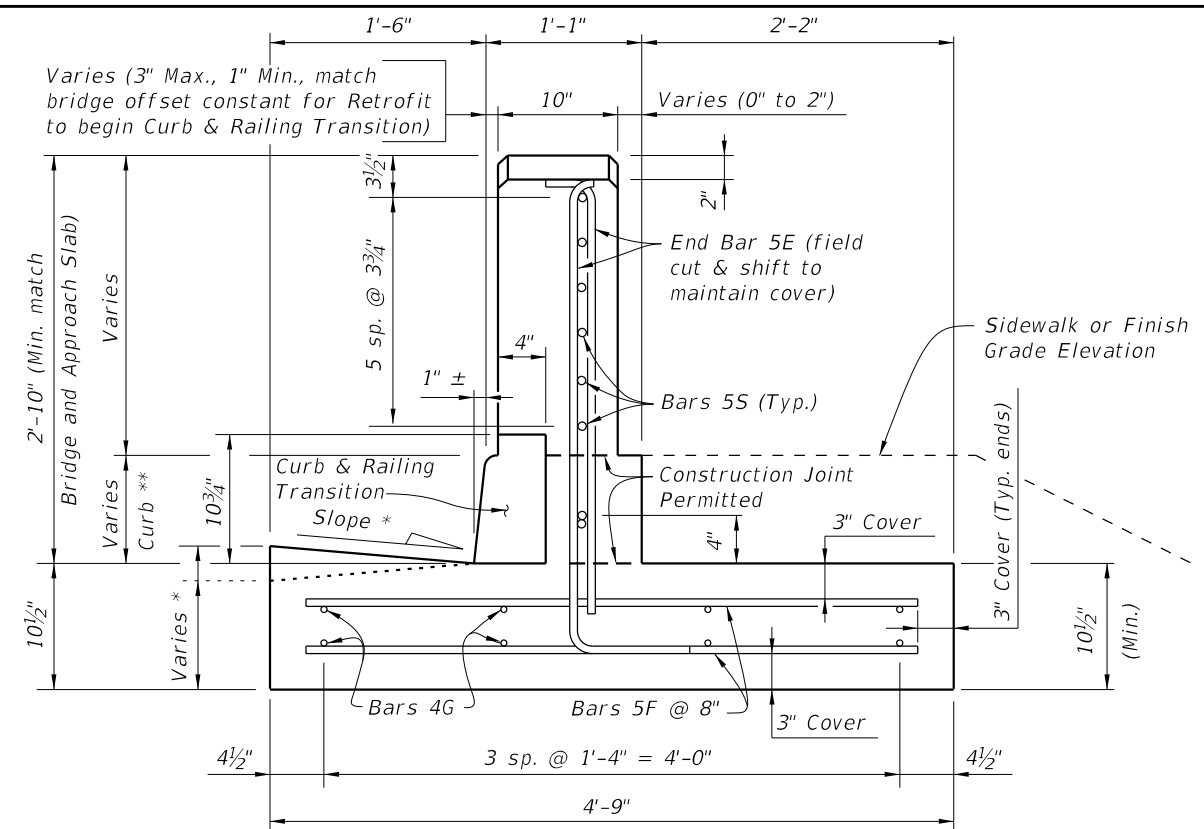
NOTE: Quantities are based on a 9" curb, no curb cross slope.



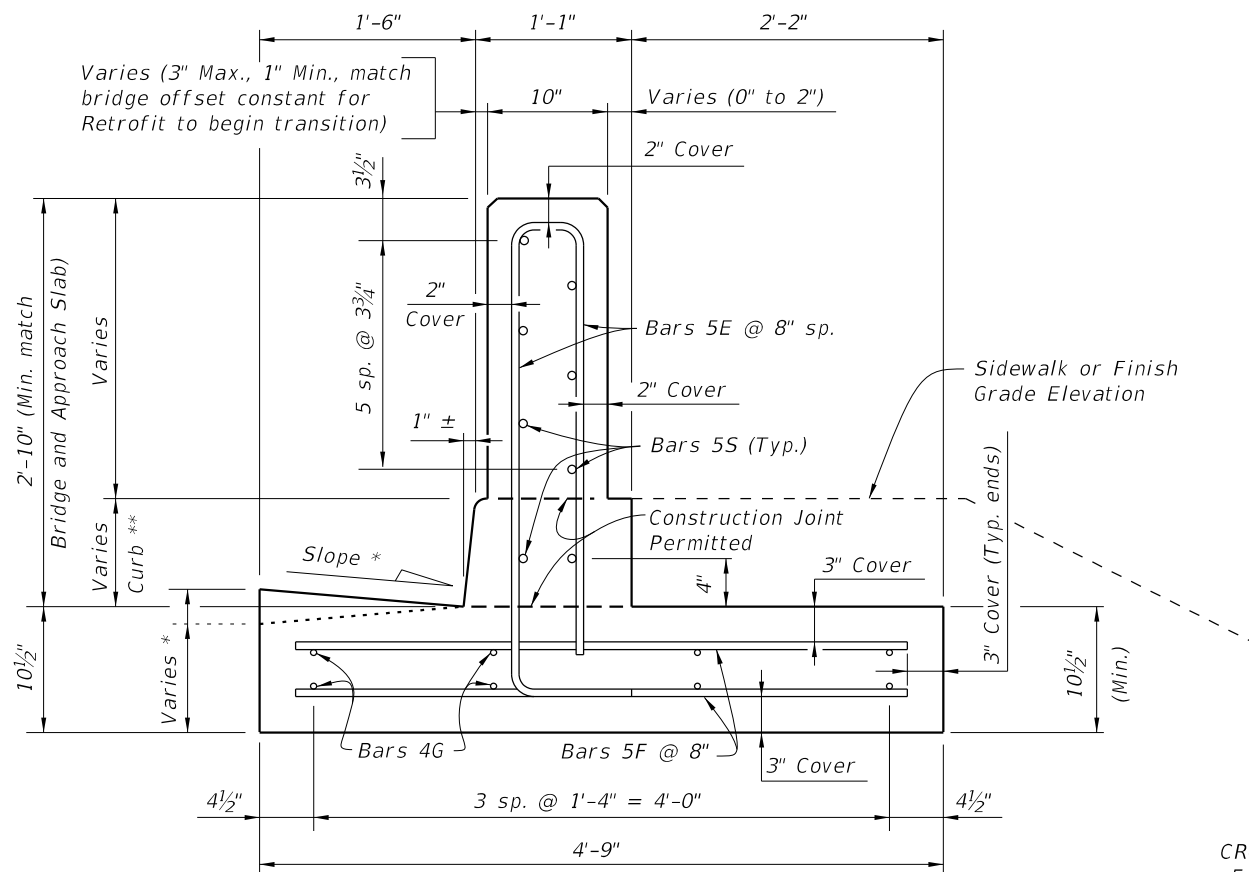
SECTION X-X (TYPICAL CURB, TYPE VARIES, TYPE F SHOWN)
(See Index 520-001 and Plans for Details)

* Match Cross Slope of high side and low side at begin or end bridge or approach slab.

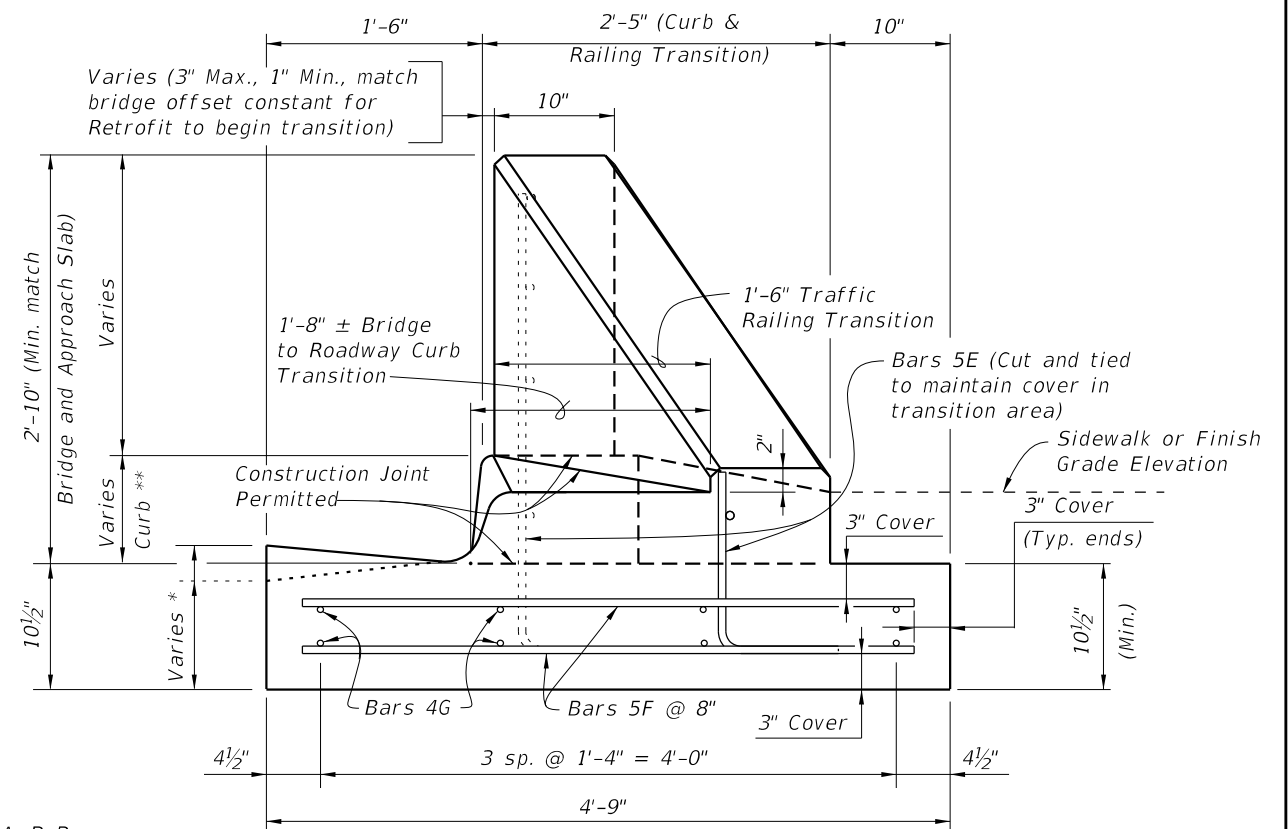
** Match curb height of adjacent bridge and approach slab. Adjust height in Transition area to match adjoining Roadway curb.



SECTION C-C
(GUARDRAIL END TRANSITION)



SECTION A-A
TYPICAL SECTION
(9" Curb shown, 6" Curb similar)



SECTION B-B
TAPERED END TRANSITION
(Bars 5S not shown for clarity)

CROSS REFERENCES:
For location of Sections A-A, B-B and X-X see Sheet 2.
For location of Section C-C see Sheet 3.

10/8/2020 9:25:25 AM

LAST REVISION	DESCRIPTION:
07/01/09	

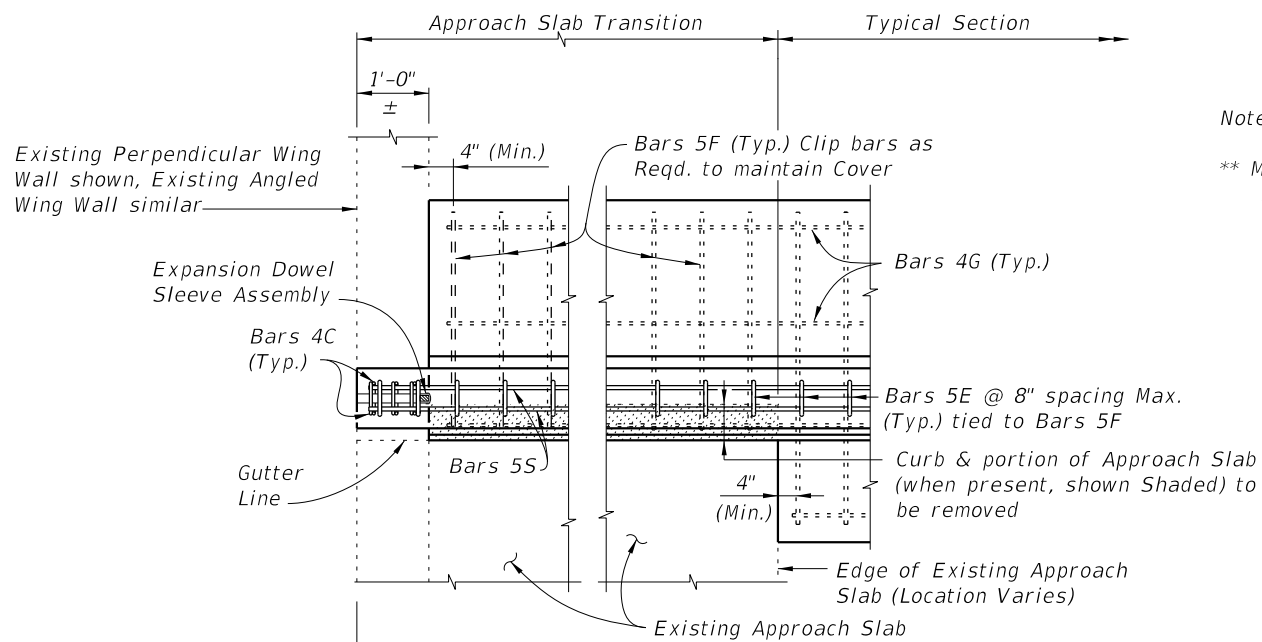


FY 2021-22
STANDARD PLANS

TRAFFIC RAILING - (VERTICAL FACE RETROFIT)
SPREAD FOOTING APPROACH

INDEX
521-484

SHEET
4 of 10



PARTIAL PLAN

Existing Perpendicular Wing Wall shown, Existing Angled Wing Wall similar

Expansion Dowel Sleeve Assembly

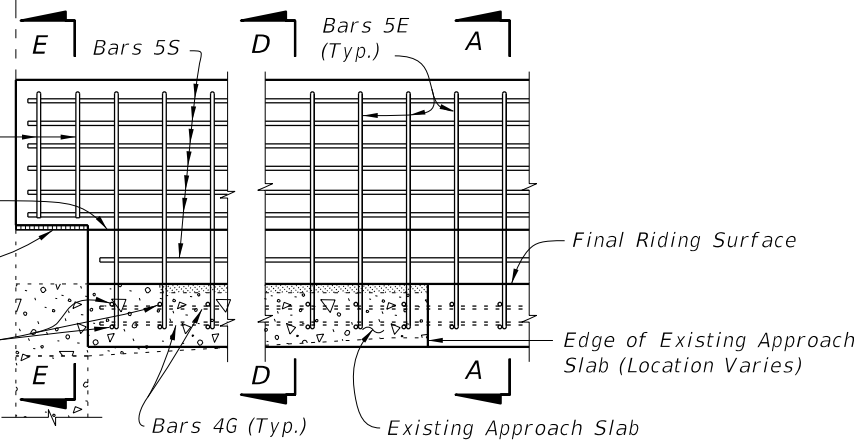
Bars 4C (Typ.)

Gutter Line

Bars 5S

Edge of Existing Approach Slab (Location Varies)

Existing Approach Slab



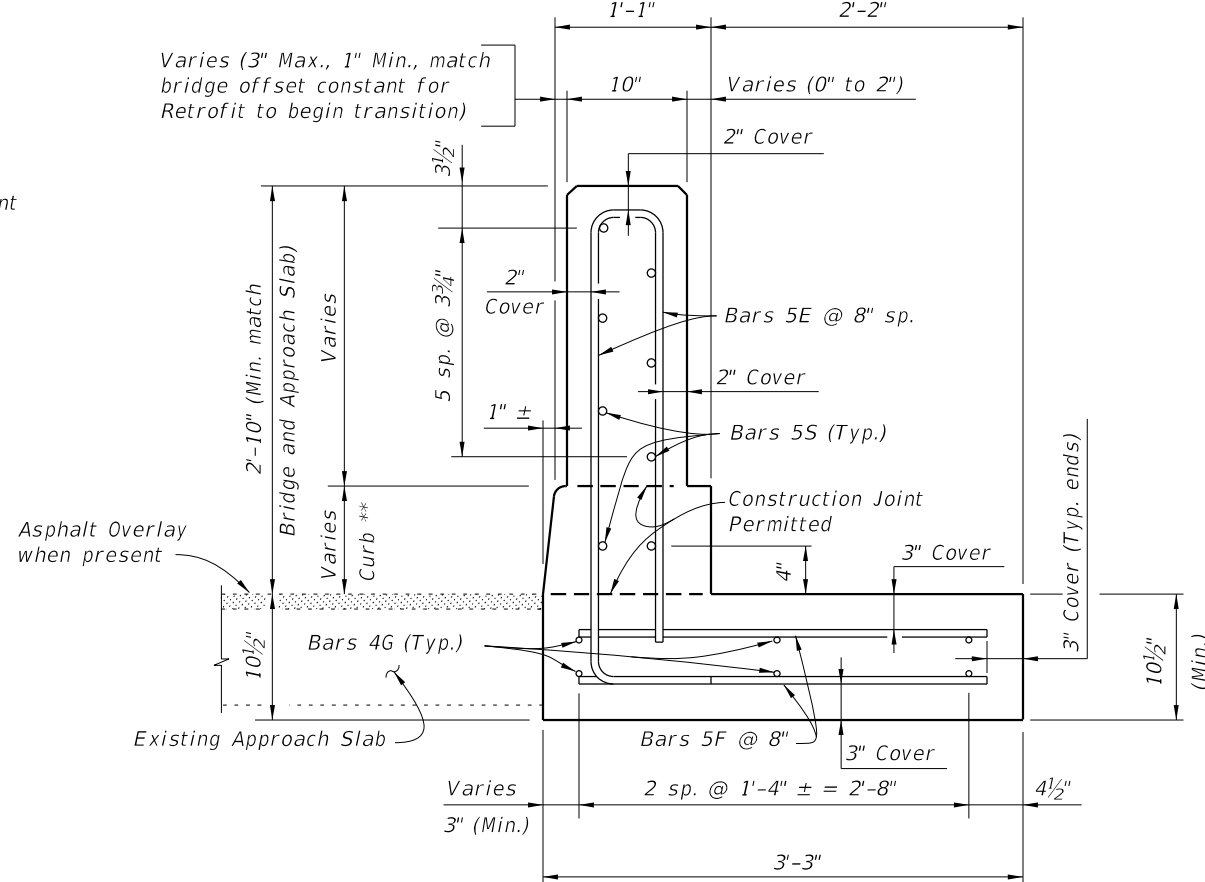
PARTIAL ELEVATION OF INSIDE FACE OF RAILING
(Expansion Dowel Assemblies and Bars 4C not shown for clarity)

SCHEME 1 ~ MODIFICATION FOR INDEX 521-481, 521-482 AND 521-483 - SCHEME 1
RAILING END TREATMENT FOR PERPENDICULAR OR ANGLED WING WALLS WITH NARROW CURBS (SHOWN), WIDE CURBS AND INTERMEDIATE CURBS (SIMILAR)

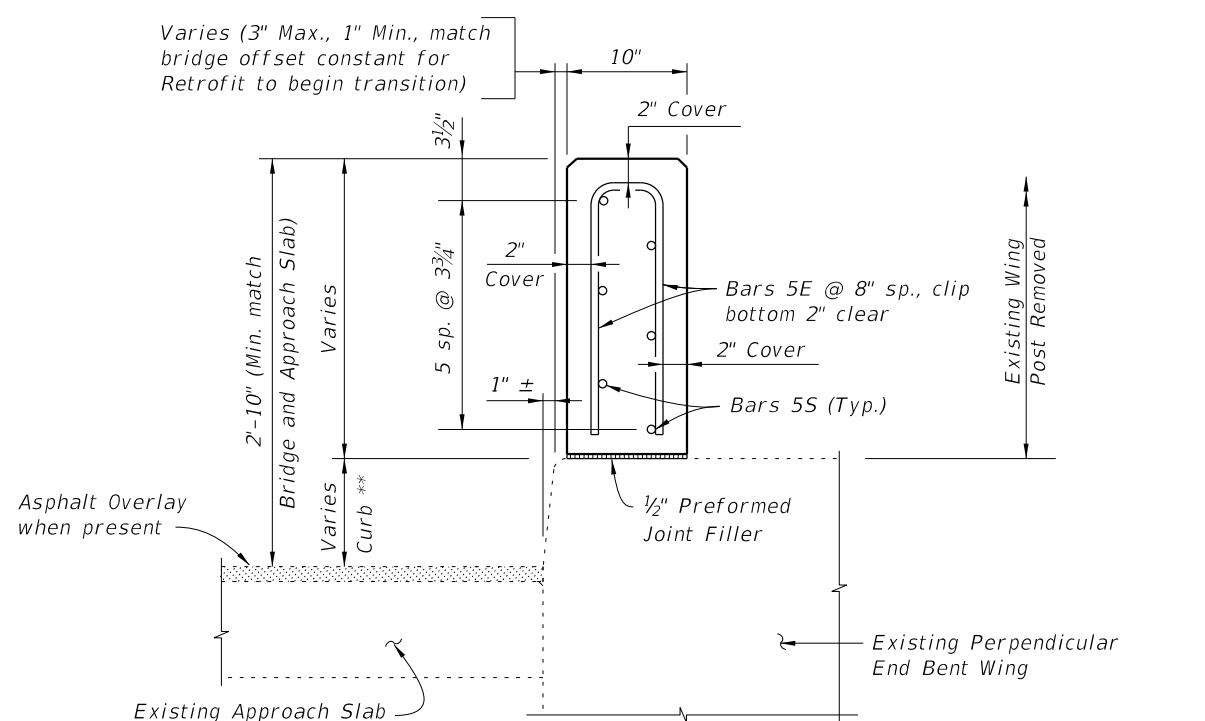
CROSS REFERENCE:
 For Section A-A see Sheet 4.
 For Expansion Dowel Assembly and placement of Dowel Bars 6D Details see Index 521-480.

Note:

** Match curb height of adjacent bridge and approach slab.



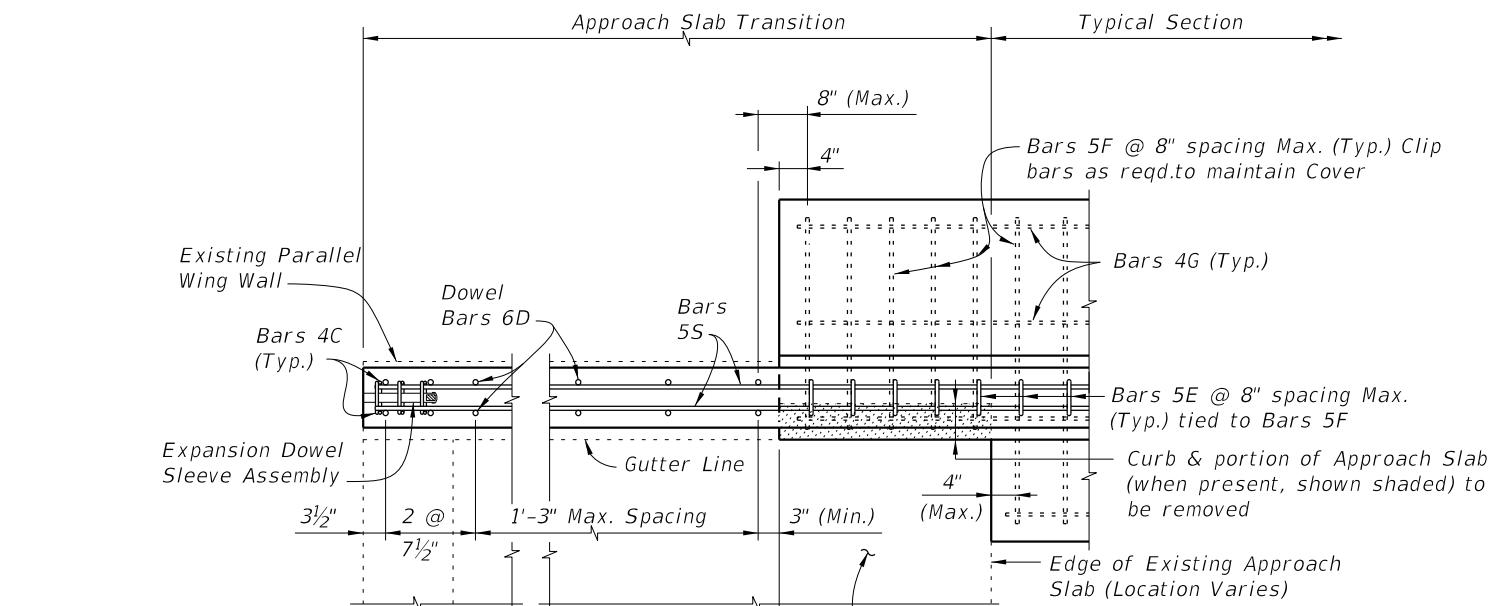
SECTION D-D



SECTION E-E (NARROW CURB SHOWN, WIDE AND INTERMEDIATE CURBS SIMILAR)

10/8/2020 9:25:28 AM

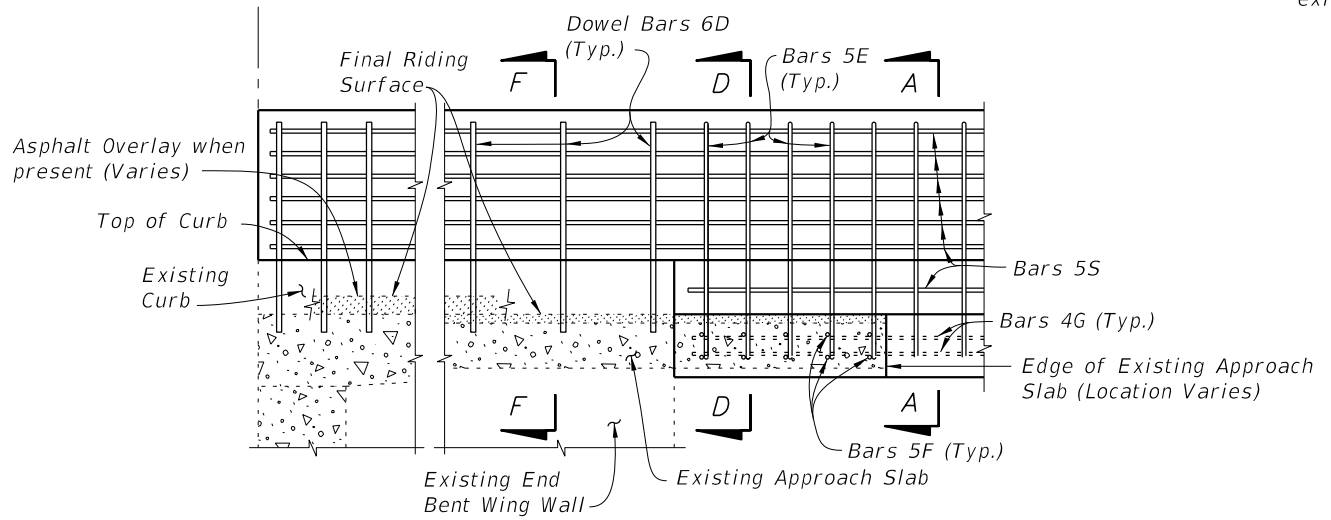
LAST REVISION 07/01/09	DESCRIPTION:	FDOT	FY 2021-22 STANDARD PLANS	TRAFFIC RAILING - (VERTICAL FACE RETROFIT) SPREAD FOOTING APPROACH	INDEX 521-484	SHEET 5 of 10
---------------------------	--------------	------	------------------------------	---	------------------	------------------



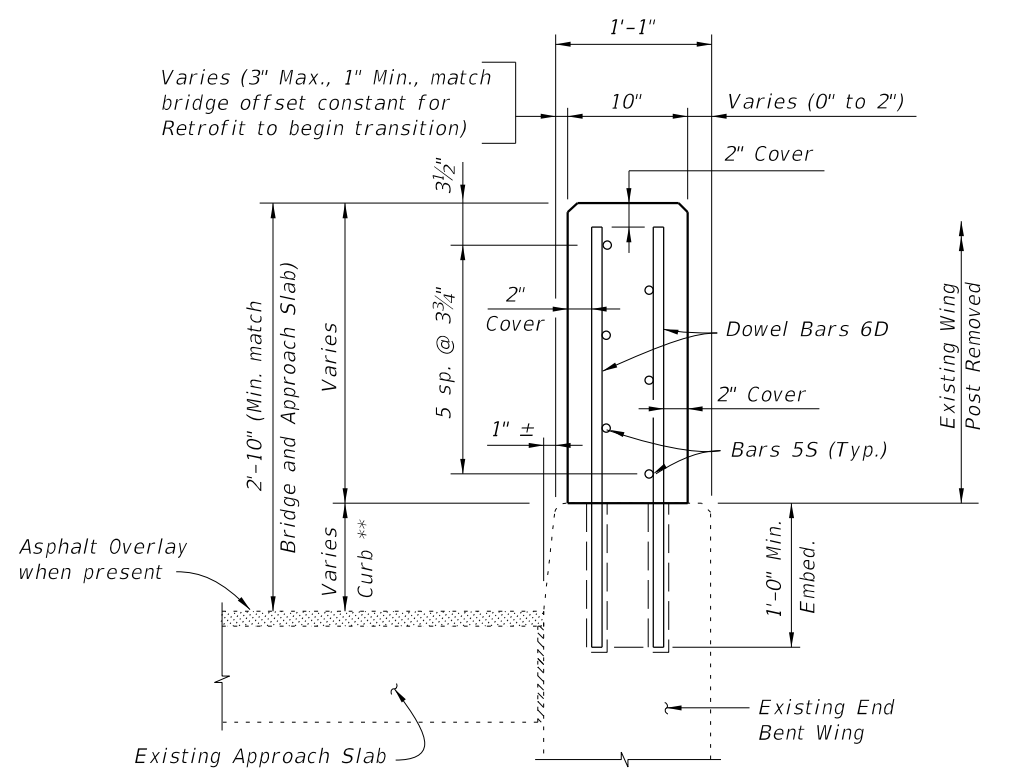
PARTIAL PLAN

Front Face of Backwall, Begin or End Bridge & Match Line (See Index 521-481, Sheet 2)

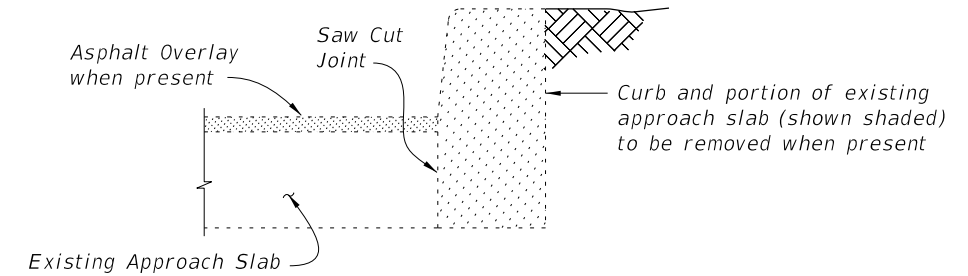
Note:
** Match curb height at adjoining existing end bent wing.



PARTIAL ELEVATION OF INSIDE FACE OF RAILING
(Expansion Dowel Assemblies and Bars 4C not shown for clarity)



SECTION F-F



SECTION THRU EXISTING CURB AND APPROACH SLAB TO BE REMOVED
(Free Standing Curb Similar)

SCHEME 2 ~ MODIFICATION FOR INDEX 521-481 - SCHEME 2
RAILING END TREATMENT FOR PARALLEL WING WALLS WITH NARROW CURBS

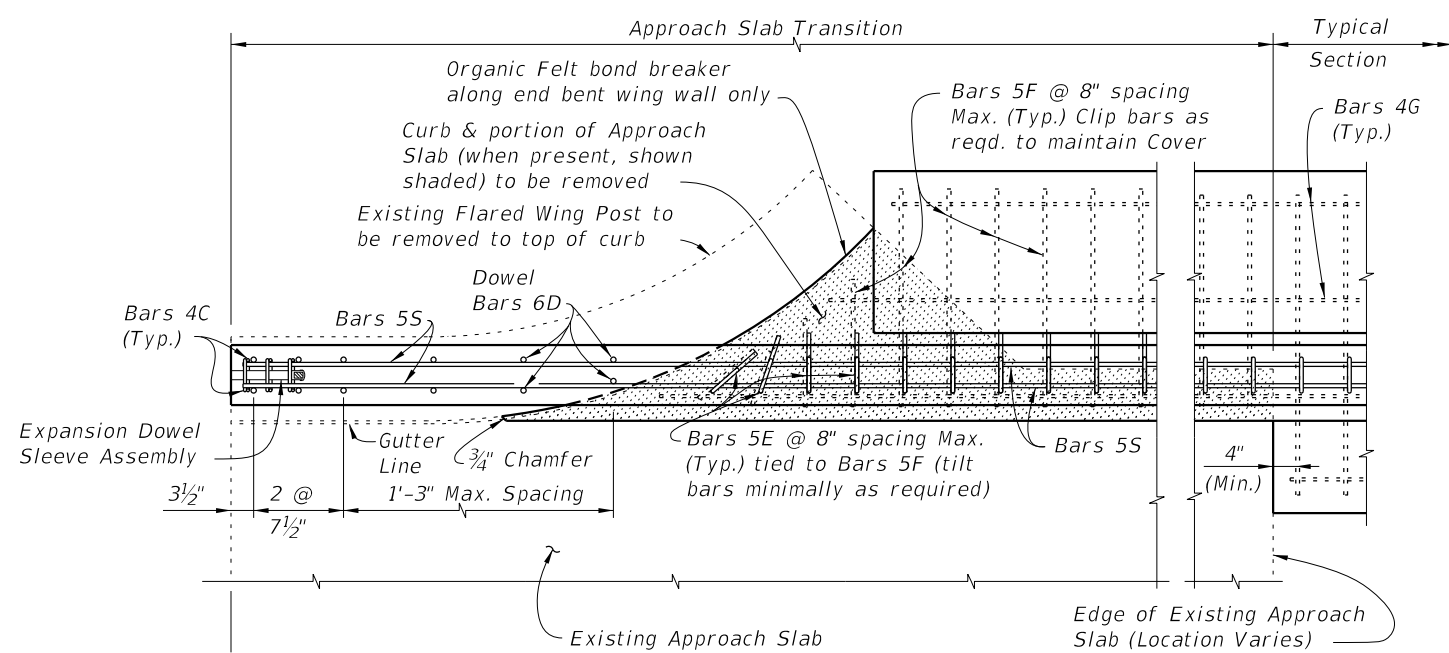
- NOTES:**
1. Remove existing concrete along saw cut joints. Existing reinforcing steel may be cut at joint or extended into new concrete. Exposed existing reinforcing not encased in new concrete shall be removed 1" below existing concrete surface and grouted over.

- CROSS REFERENCES:**
- For Section A-A see Sheet 4.
 - For Section D-D see Sheet 5.
 - For Expansion Dowel Assembly and placement of Dowel Bars 6D Details see Index 521-480.

10/8/2020 9:25:30 AM

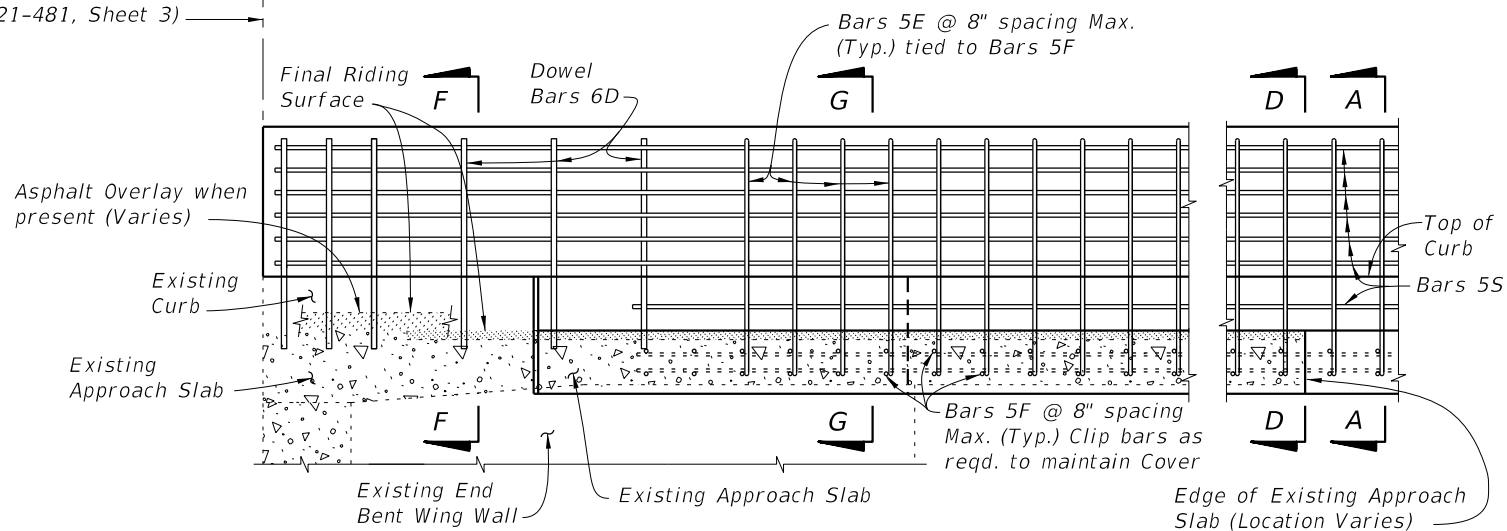
LAST REVISION 07/01/09	DESCRIPTION:	 FY 2021-22 STANDARD PLANS	TRAFFIC RAILING - (VERTICAL FACE RETROFIT) SPREAD FOOTING APPROACH	INDEX 521-484	SHEET 6 of 10
---------------------------	--------------	--	---	-------------------------	-------------------------

10/01/2020 9:25:34 AM



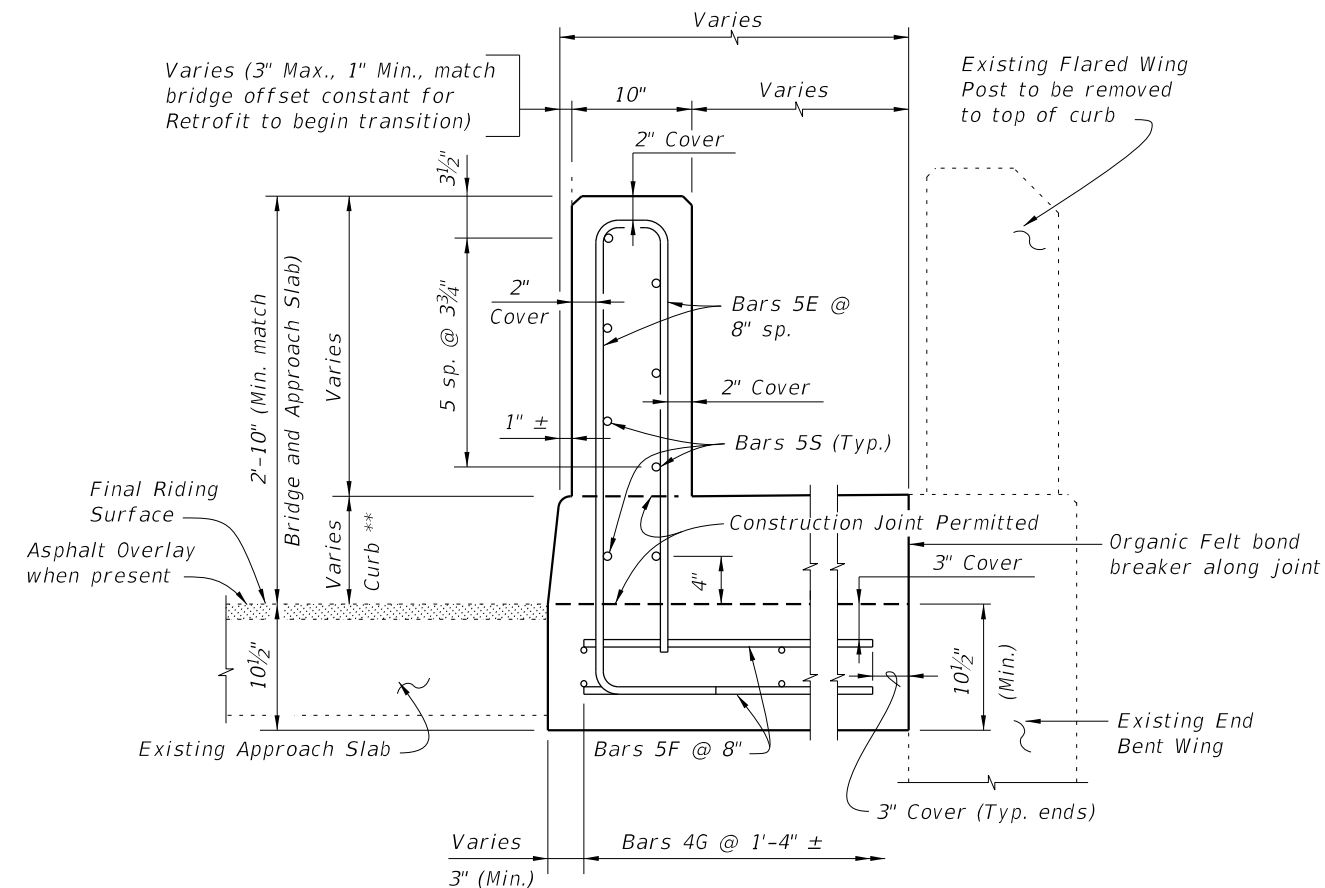
PARTIAL PLAN OF RAILING

Front Face of Backwall, Begin or End Bridge & Match Line (See Index 521-481, Sheet 3)



PARTIAL ELEVATION OF INSIDE FACE OF RAILING
(Expansion Dowel Assemblies and Bars 4C not shown for clarity)

SCHEME 3 ~ MODIFICATION FOR INDEX 521-481 SCHEME 3
RAILING END TREATMENT FOR FLARED WING WALLS
WITH NARROW CURBS



SECTION G-G

Note:
** Match curb height at adjoining existing end bent wing.

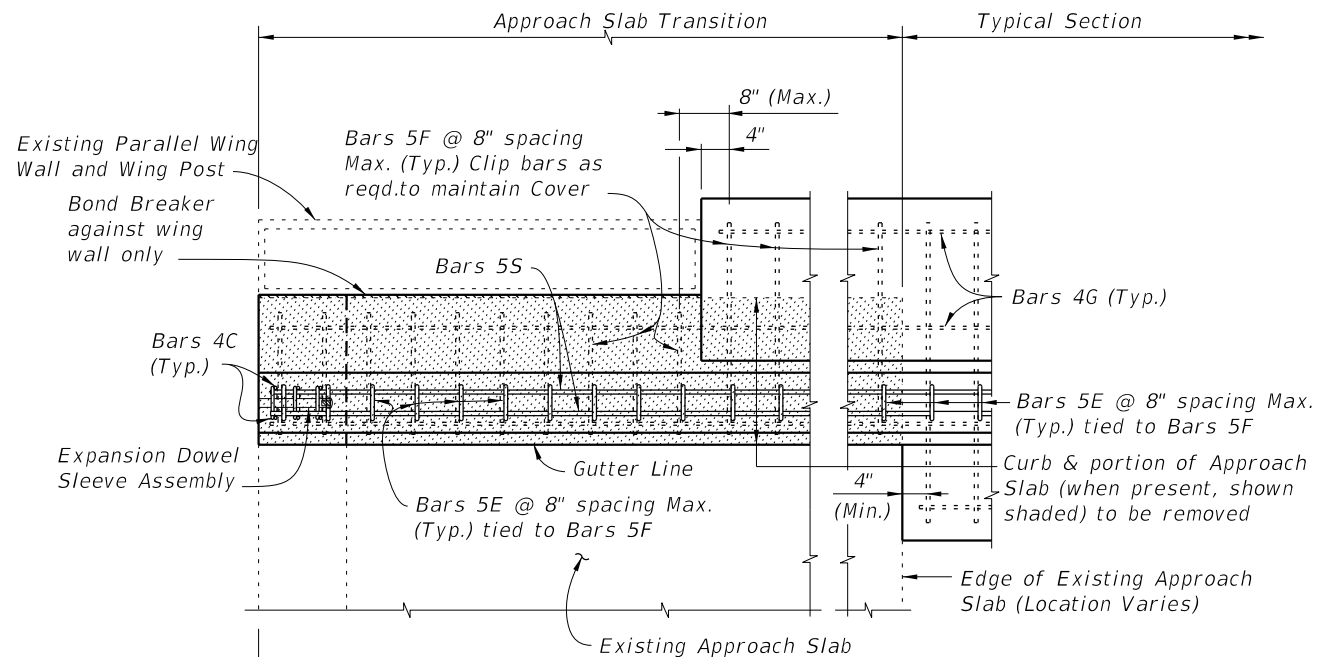
CROSS REFERENCES:
For Section A-A see Sheet 4.
For Section D-D see Sheet 5.
For Section F-F see Sheet 6.
For Expansion Dowel Assemblies Details and placement of Dowel Bars 6D see Index 521-480.

LAST REVISION 11/01/16	REVISION	DESCRIPTION:
---------------------------	----------	--------------

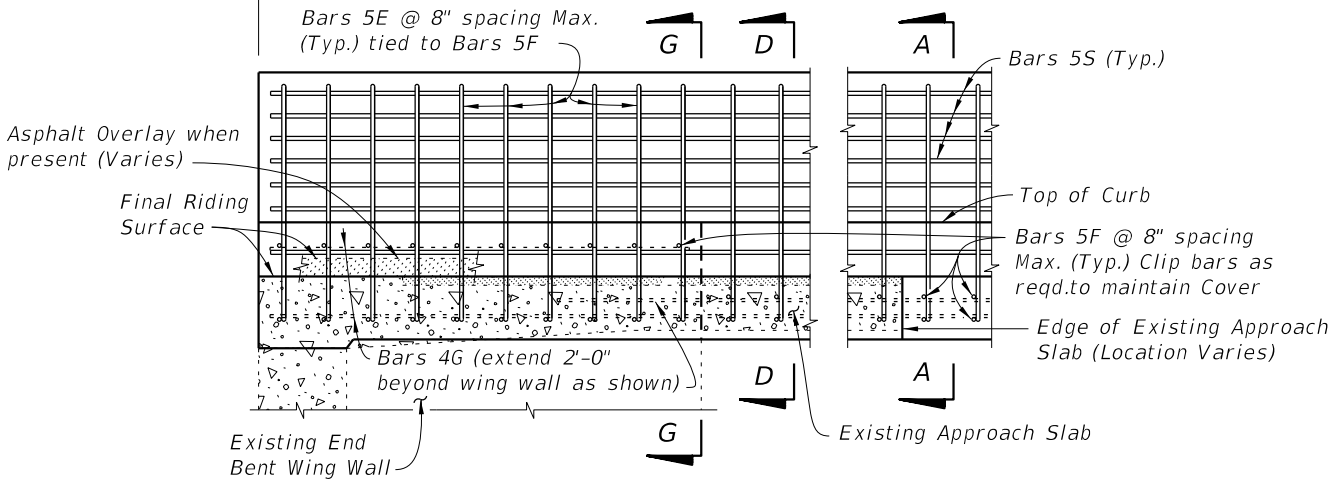
FY 2021-22
STANDARD PLANS

TRAFFIC RAILING - (VERTICAL FACE RETROFIT)
SPREAD FOOTING APPROACH

INDEX 521-484	SHEET 7 of 10
-------------------------	-------------------------

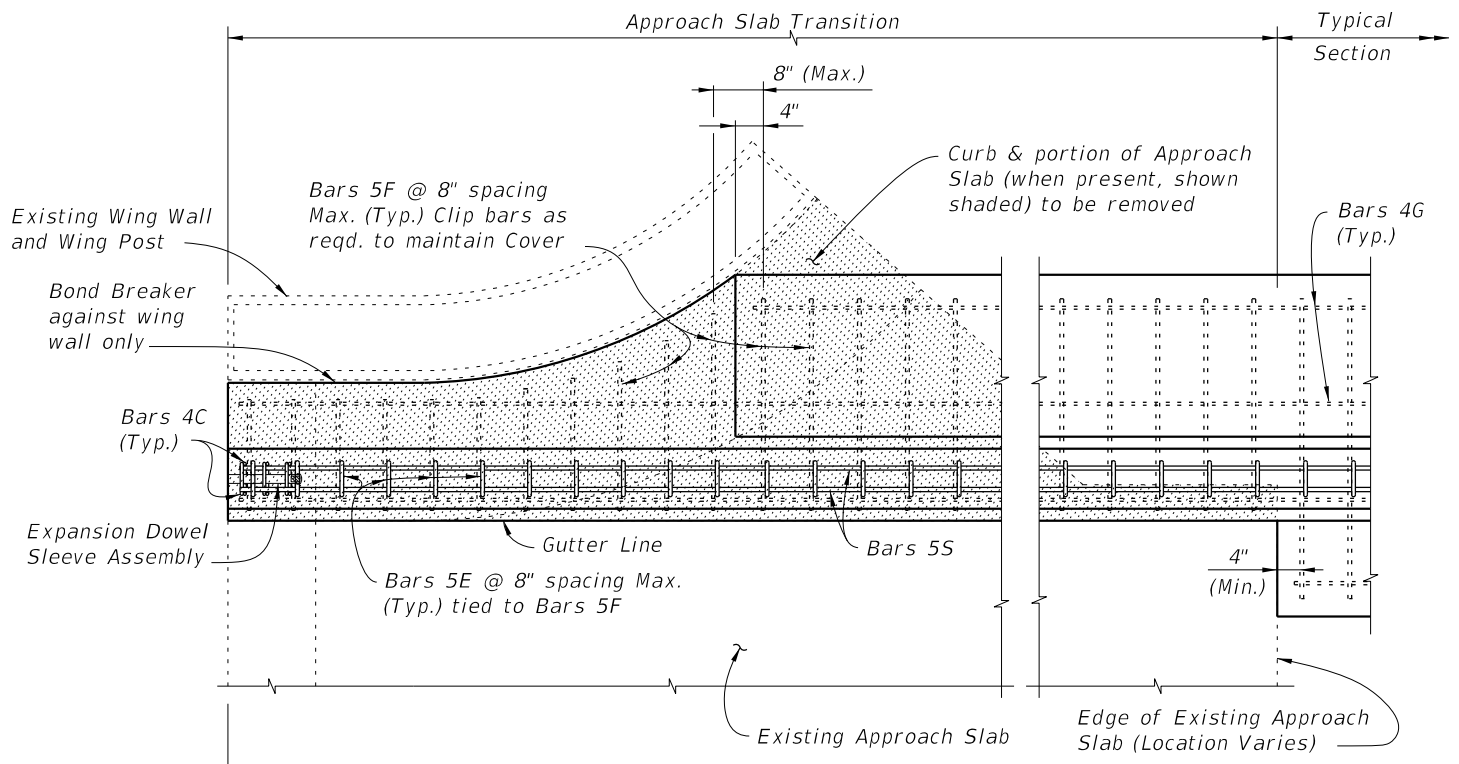


PARTIAL PLAN OF RAILING

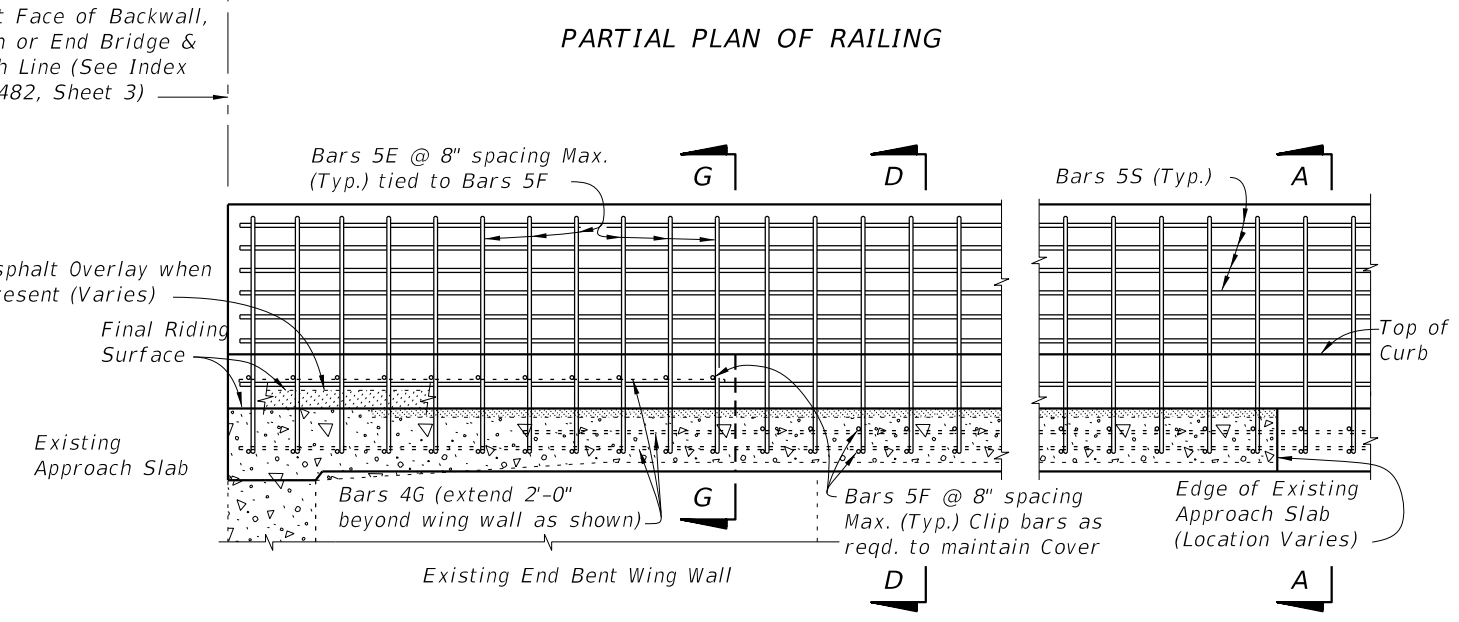


PARTIAL ELEVATION OF INSIDE FACE OF RAILING
(Existing Wing Post, Expansion Dowel Assemblies and Bars 4C not shown for clarity)

SCHEME 4 ~ MODIFICATION FOR INDEX 521-482 SCHEME 2
RAILING END TREATMENT FOR PARALLEL CURBS AND
WING WALLS WITH WIDE CURBS



PARTIAL PLAN OF RAILING




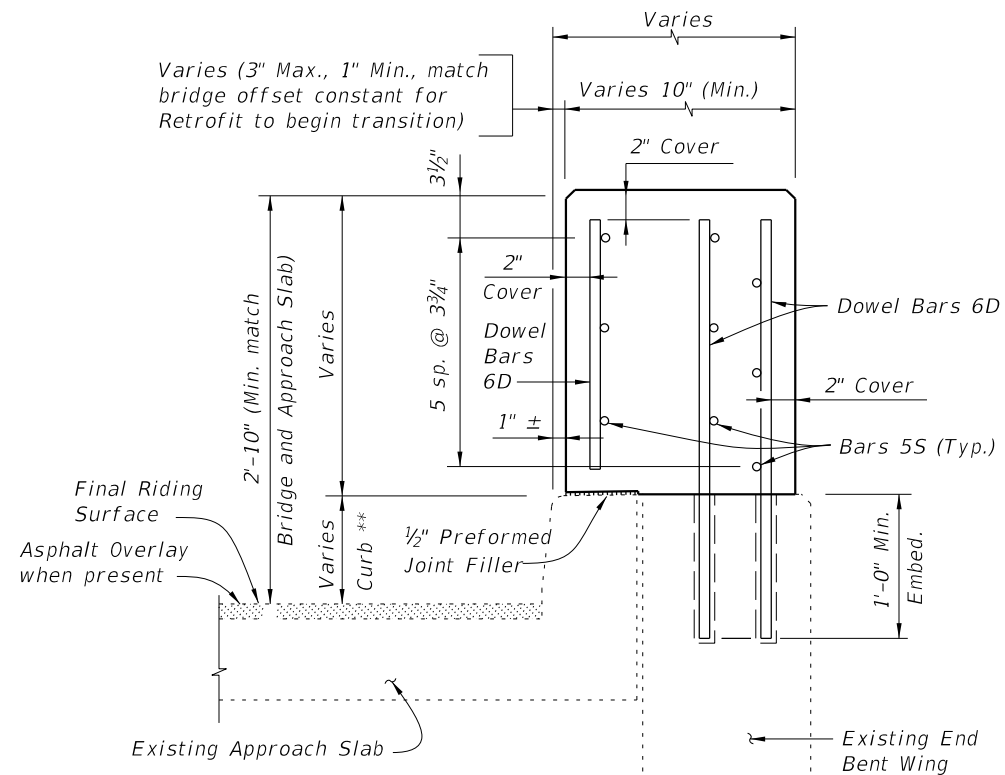
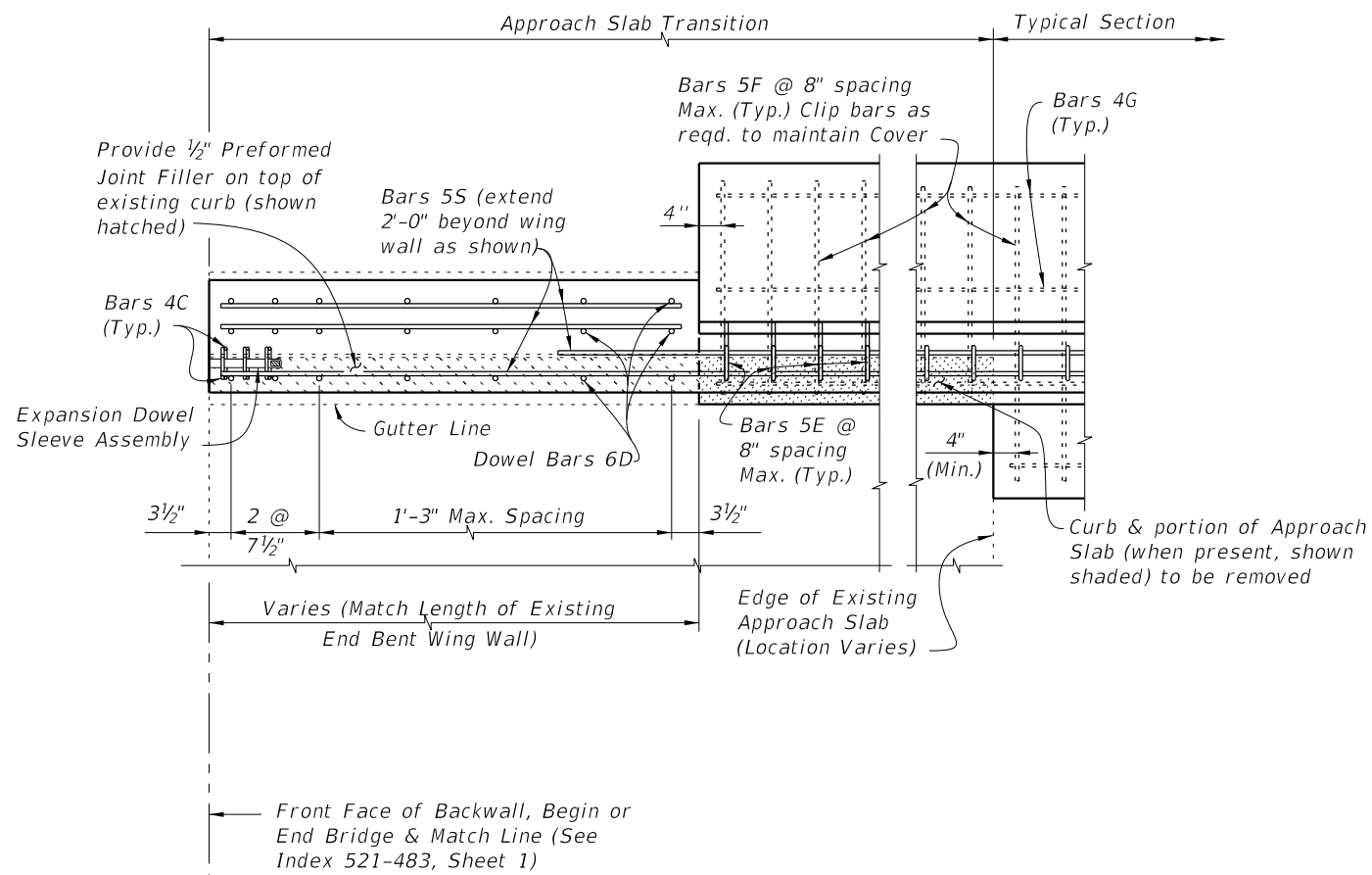
PARTIAL ELEVATION OF INSIDE FACE OF RAILING
(Existing Wing Post, Expansion Dowel Assemblies and Bars 4C not shown for clarity)

SCHEME 5 ~ MODIFICATION FOR INDEX 521-482 SCHEME 3 AND 4
RAILING END TREATMENT FOR PARALLEL CURBS AND FLARED
WING WALLS WITH WIDE CURBS

CROSS REFERENCES:
For Section A-A see Sheet 4
For Section D-D see Sheet 5.
For Section G-G see Sheet 7.
For Expansion Dowel Assemblies Details
see Index 521-480.

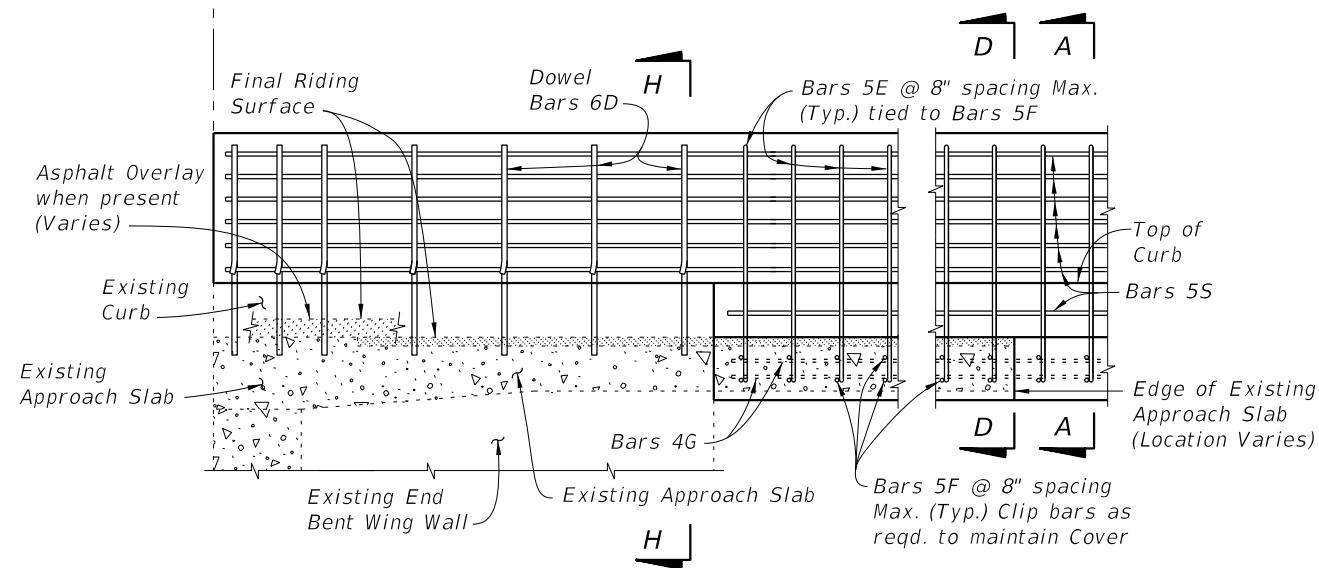
10/8/2020 9:25:38 AM

LAST REVISION 07/01/09	REVISION	DESCRIPTION:	 FY 2021-22 STANDARD PLANS	TRAFFIC RAILING - (VERTICAL FACE RETROFIT) SPREAD FOOTING APPROACH	INDEX 521-484	SHEET 8 of 10
---------------------------	----------	--------------	--	---	------------------	------------------



SECTION H-H

Note:
 ** Match curb height at adjoining existing end bent wing.



PARTIAL ELEVATION OF INSIDE FACE OF RAILING
 (Expansion Dowel Assemblies and Bars 4C not shown for clarity)

SCHEME 6 ~ MODIFICATION FOR INDEX 521-483 SCHEME 2
 RAILING END TREATMENT FOR PARALLEL CURBS AND WING WALLS WITH INTERMEDIATE CURBS

CROSS REFERENCES:
 For Section A-A see Sheet 4.
 For Section D-D see Sheet 5.
 For Expansion Dowel Assembly and placement of Dowel Bars 6D Details see Index 521-480.

10/01/2020 9:25:40 AM

LAST REVISION 07/01/09	DESCRIPTION:
---------------------------	--------------

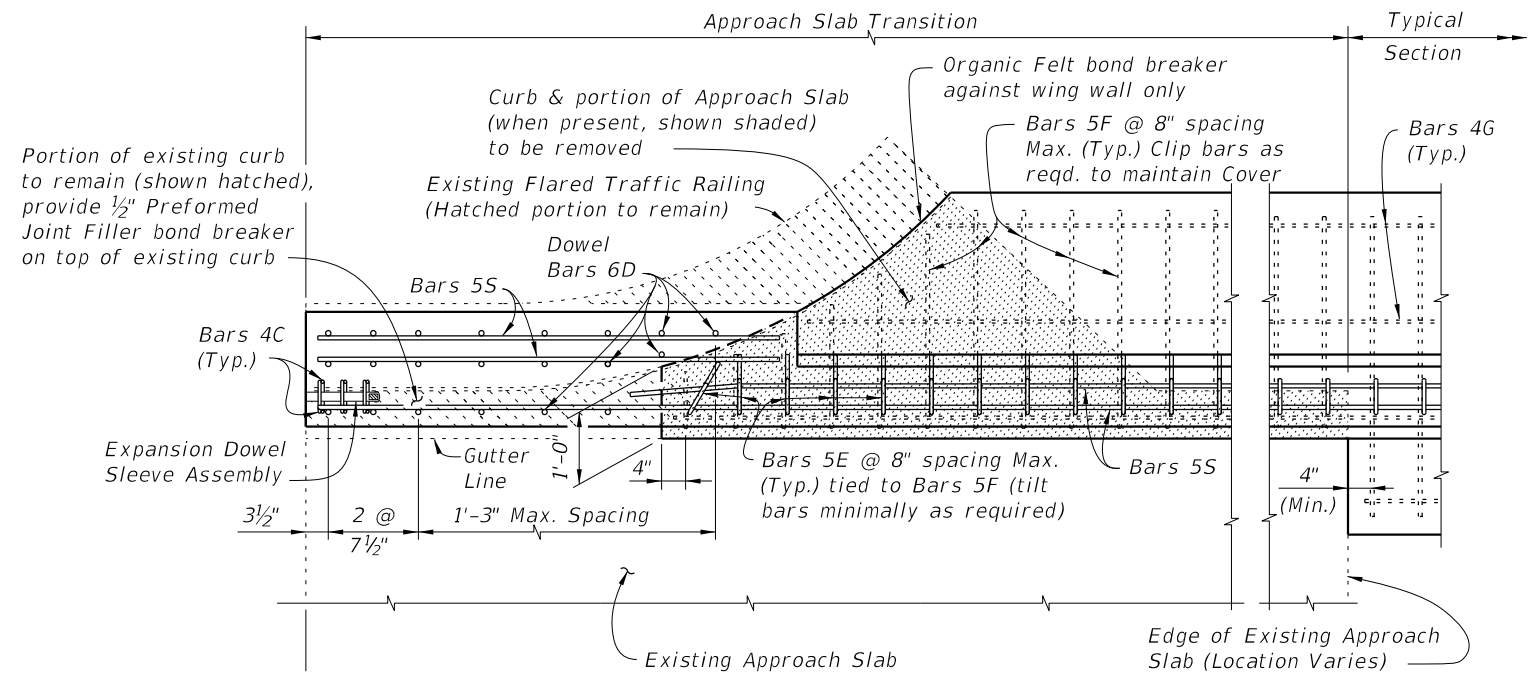


FY 2021-22
 STANDARD PLANS

TRAFFIC RAILING - (VERTICAL FACE RETROFIT)
 SPREAD FOOTING APPROACH

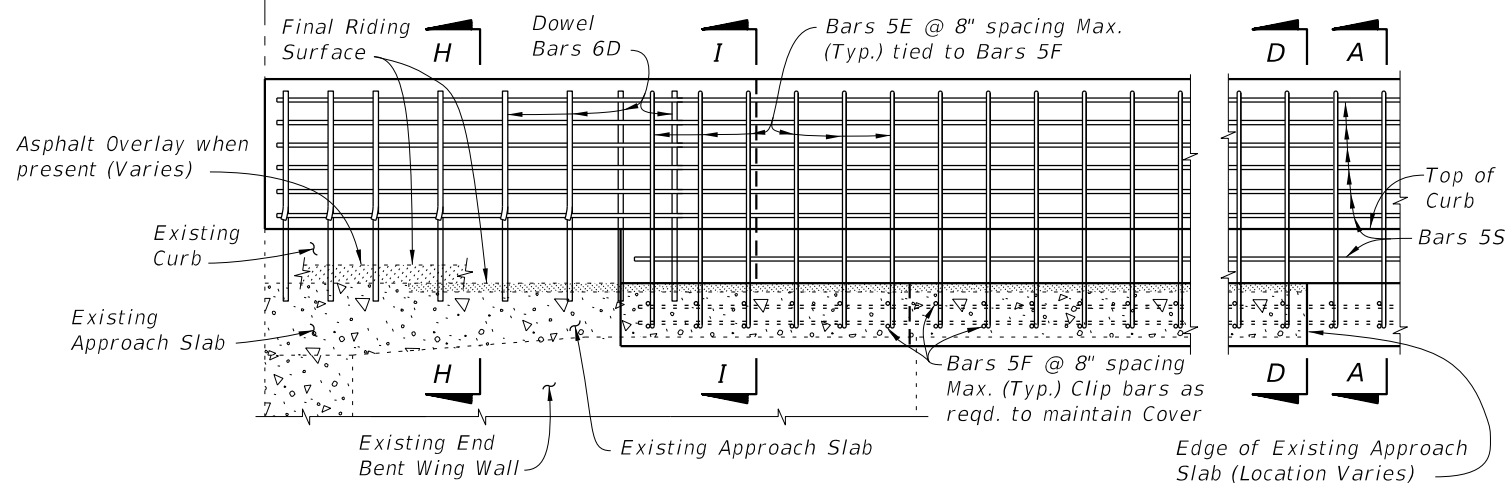
INDEX
 521-484

SHEET
 9 of 10



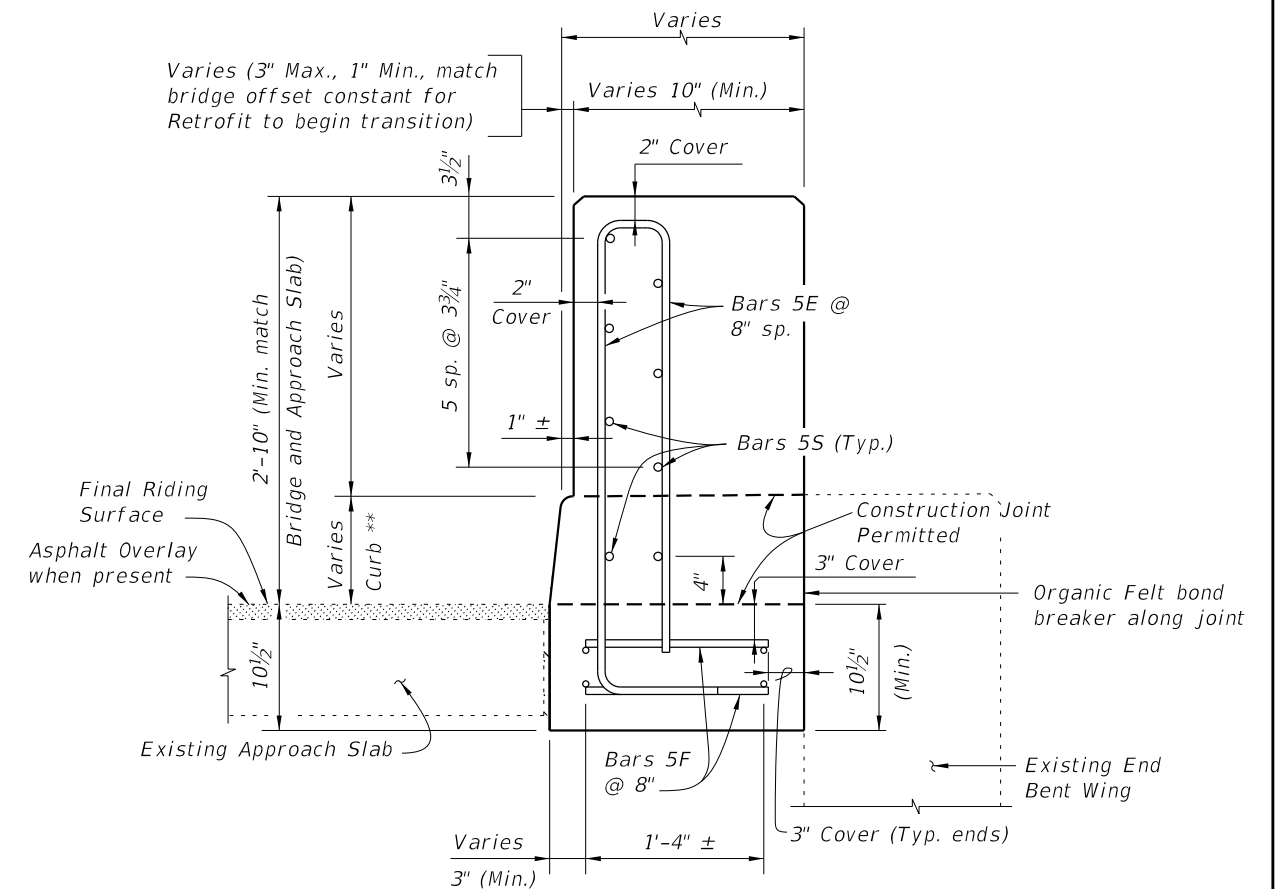
PARTIAL PLAN OF RAILING

Front Face of Backwall, Begin or End Bridge & Match Line (See Index 521-483, Sheet 3)



PARTIAL ELEVATION OF INSIDE FACE OF RAILING
(Expansion Dowel Assemblies and Bars 4C not shown for clarity)

SCHEME 7 ~ MODIFICATION FOR INDEX 521-483 SCHEME 3
RAILING END TREATMENT FOR PARALLEL CURBS AND
FLARED WING WALLS WITH INTERMEDIATE CURBS



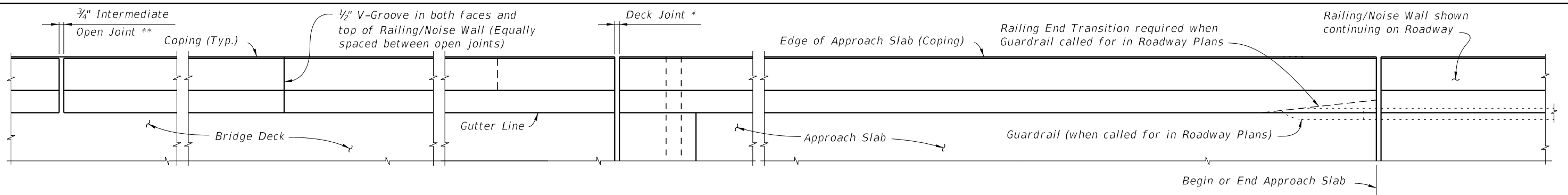
SECTION I-I

Note:
** Match curb height at adjoining existing end bent wing.

CROSS REFERENCES:
For Section A-A see Sheet 4.
For Section D-D see Sheet 5.
For Section H-H see Sheet 9.
For Expansion Dowel Assemblies and placement of Dowel Bars 6D Details see Index 521-480.

10/8/2020 9:25:43 AM

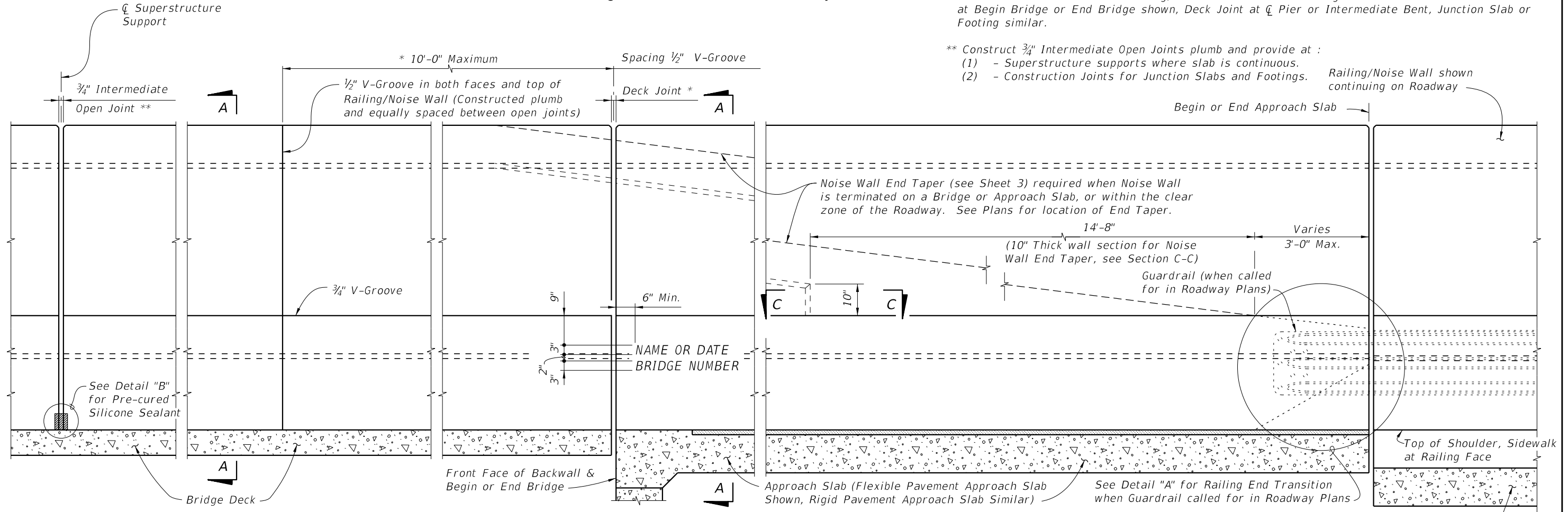
LAST REVISION 11/01/16	DESCRIPTION:
---------------------------	--------------



PLAN (BRIDGE MOUNTED RAILING/NOISE WALL SHOWN, WALL OR FOOTING MOUNTED RAILING/NOISE WALL SIMILAR) (Reinforcing Steel not shown for clarity)

* On Bridges see Superstructure and Approach Slab Sheets for actual dimensions and joint orientation. Open Railing/Noise Wall Joints at Deck Expansion Joint locations shall match the dimensions of the Deck Joint. For treatment of Railing/Noise Walls on skewed bridges see Index 521-427. Deck Joint at Begin Bridge or End Bridge shown, Deck Joint at ϕ Pier or Intermediate Bent, Junction Slab or Footing similar.

** Construct 3/4" Intermediate Open Joints plumb and provide at :
 (1) - Superstructure supports where slab is continuous.
 (2) - Construction Joints for Junction Slabs and Footings. Railing/Noise Wall shown continuing on Roadway



ELEVATION OF INSIDE FACE OF RAILING/NOISE WALL (BRIDGE MOUNTED RAILING/NOISE WALL SHOWN, WALL OR FOOTING MOUNTED RAILING/NOISE WALL SIMILAR) (Reinforcing Steel not shown for clarity)

CROSS REFERENCE:
 For Detail "B" and V-Groove Lettering Detail see Sheet 4.
 For Section A-A see Sheet 3.
 For Section C-C and Detail "A" see Sheet 5.

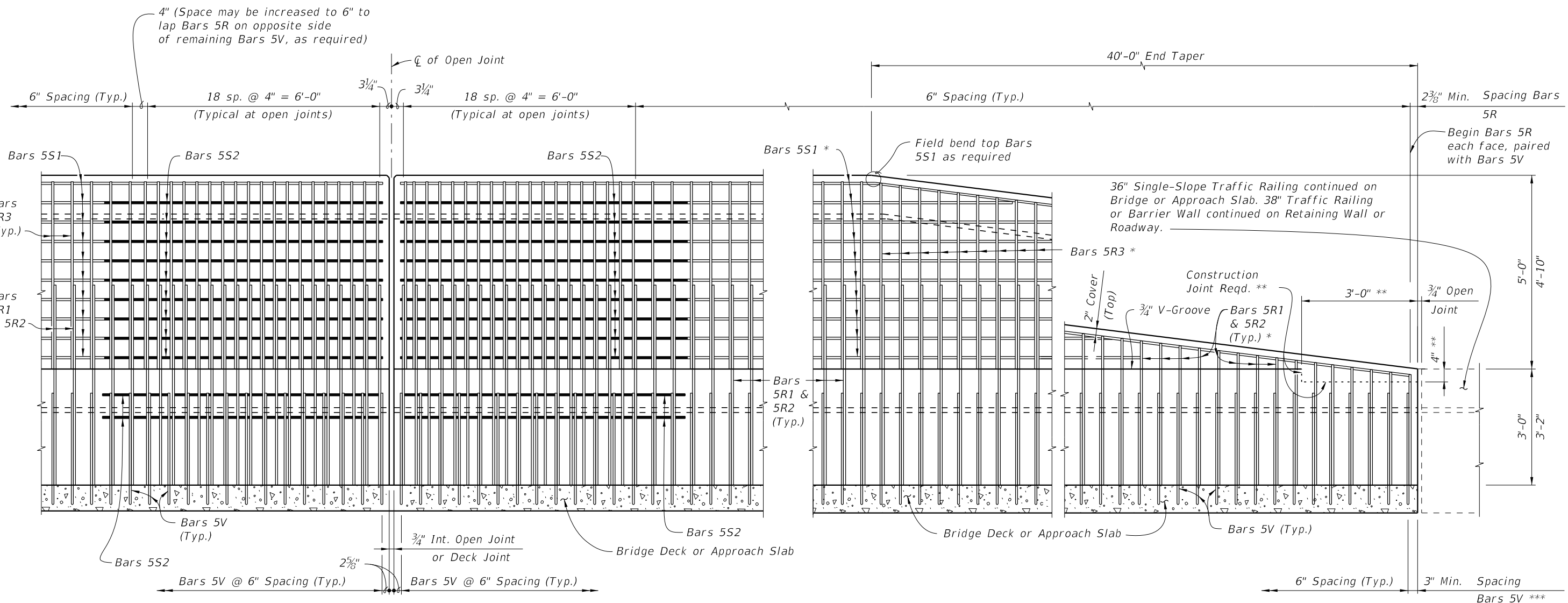
NAME, DATE AND BRIDGE NUMBER : For Railing/Noise Wall on bridges, place the Name as shown in the General Notes in the Structures Plans and Bridge Number on the Traffic Railing so as to be seen on the driver's right side when approaching the bridge. Place the Date on the driver's left side when approaching the bridge. The Date shall be the year the bridge is completed. For a widening when the existing railing is removed, use both the existing date and the year of the widening. Black plastic letters and figures 3" in height may be used, as approved by the Engineer, in lieu of the letters and figures formed by 3/8" V-Grooves. V-Grooves shall be formed by preformed letters and figures.

- Notes**
1. Work this with Indexes 521-512 through 521-515.
 2. Construct Traffic Railing/ Noise Wall and joints plumb, not perpendicular to the roadway surface.
 3. Concrete:
 A. Class II for slightly aggressive environments.
 B. Class IV for moderately or extremely aggressive environments.
 4. Provide 3/4" open joints every 30 to 90 feet. Align open joints with construction joints in the Junction Slab or footing.
 5. Install Barrier Delineators 2'-4" above the riding surface in accordance with Specification Section 705. Match the Delineator color (White or Yellow) to the near edgeline.
 6. Slip forming of the traffic railing portion is permitted.

11/6/2020 1:09:55 PM

LAST REVISION 11/01/18	REVISION	DESCRIPTION:		FY 2021-22 STANDARD PLANS	TRAFFIC RAILING/NOISE WALL (8'-0") - BRIDGE	INDEX 521-509	SHEET 1 of 5
---------------------------	----------	--------------	--	------------------------------	---	------------------	-----------------

10/8/2020 9:25:47 AM




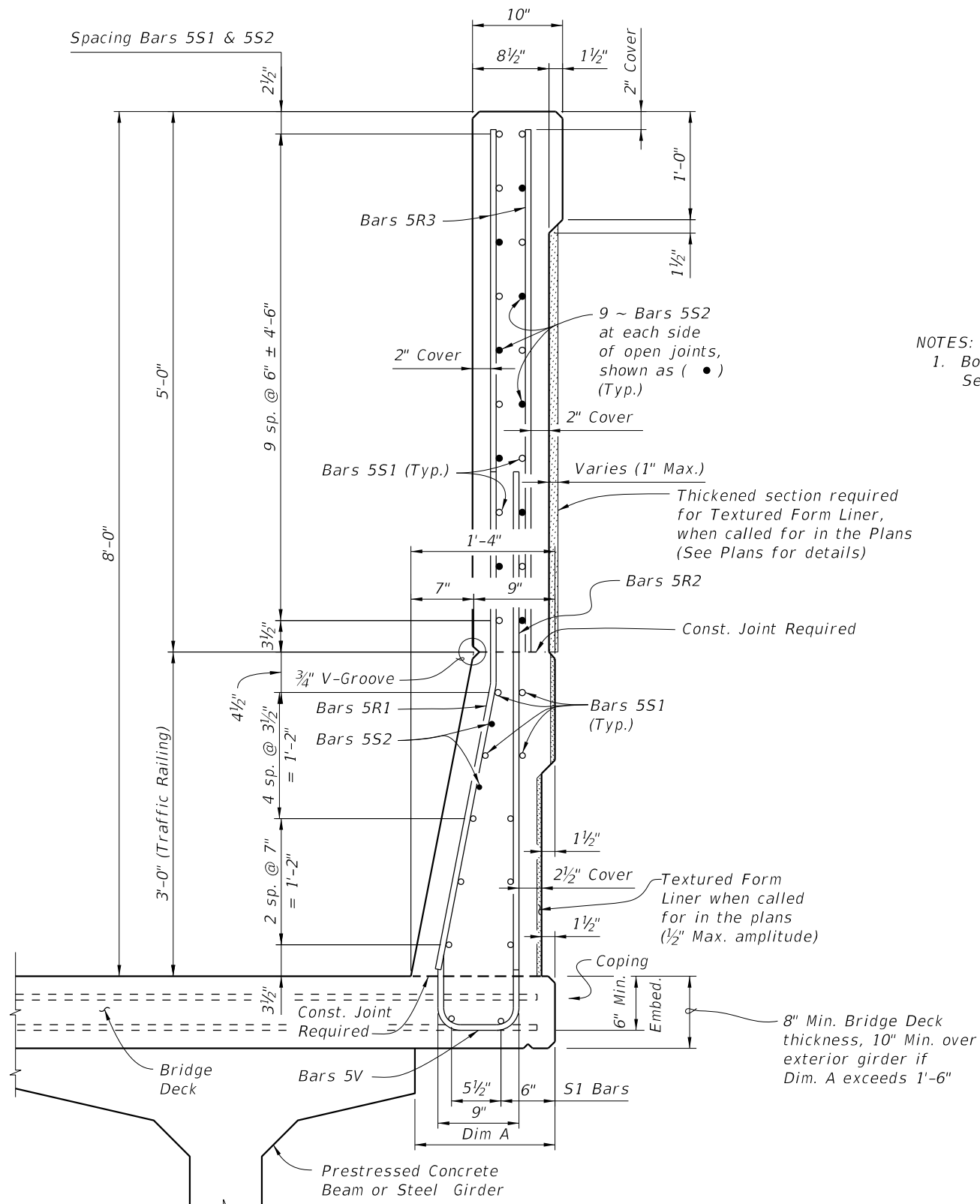
ELEVATION OF RAILING/NOISE WALL REINFORCING STEEL
 (INTERMEDIATE OPEN JOINT SHOWN, DECK JOINT SIMILAR)
 (Bars 5S1 in Railing not shown for clarity)

ELEVATION OF RAILING/NOISE WALL END TAPER (ADJACENT TO TRAFFIC RAILING
 SHOWN, GUARDRAIL ATTACHMENT SIMILAR SEE DETAIL "A", SHEET 5)
 (Bars 5S1 in Railing not shown for clarity)

NOTES:

- * Field Cut Bars 5R & 5S1 to maintain clearance.
- ** Terminate 3/4" V-groove at construction joint & cast top of railing with End Taper.
- *** Bar spacing shown for Bars 5V only applies when Single-Slope Traffic Railing continues. For transition to guardrail see Sheet 5.

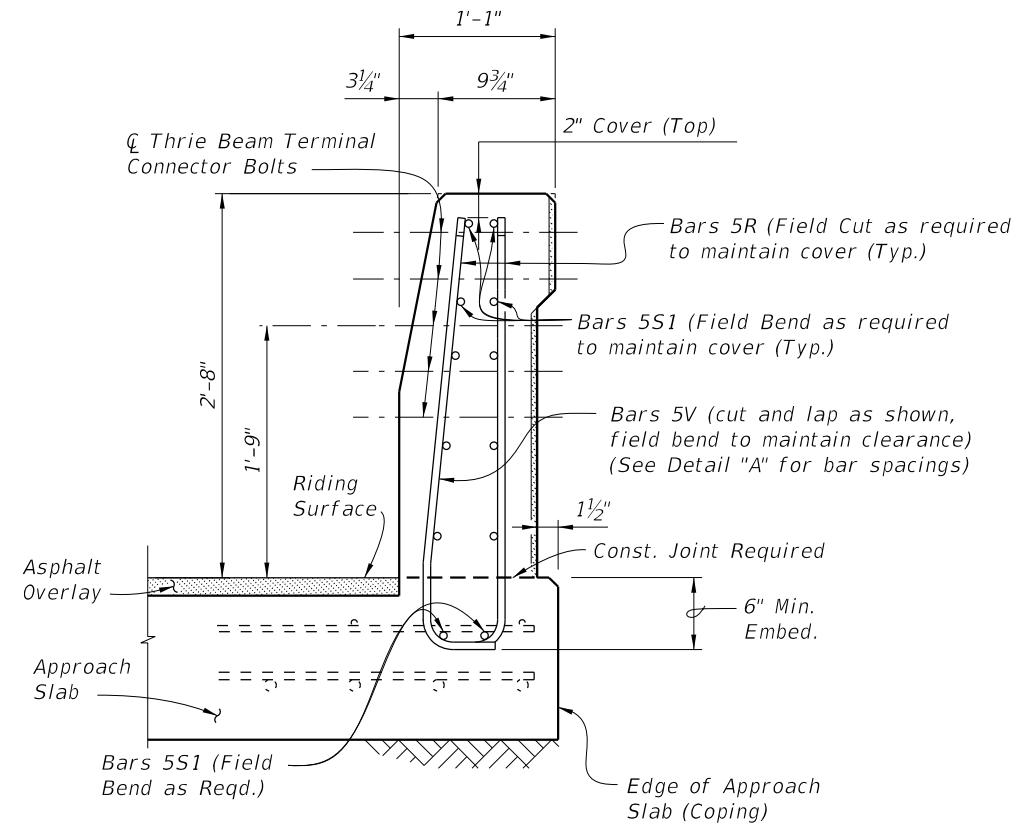
LAST REVISION 11/01/18	REVISION	DESCRIPTION:	 FY 2021-22 STANDARD PLANS	TRAFFIC RAILING/NOISE WALL (8'-0") - BRIDGE	INDEX 521-509	SHEET 2 of 5
---------------------------	----------	--------------	---	---	------------------	-----------------



SECTION A-A
TYPICAL SECTION THRU TRAFFIC RAILING/NOISE WALL
 (Section Thru Bridge Deck Shown, Section Thru Approach Slab Similar)


CROSS REFERENCE:
 For locations of Section A-A see Sheet 1.
 For location of View B-B, see Sheet 5.

- NOTES:**
- Bottom Bars 5S1 shown are part of the Traffic Railing/Noise Wall reinforcing. See Superstructure Sheets in the Plans for additional Bridge Deck Reinforcing.



VIEW B-B
END VIEW OF RAILING END TRANSITION FOR GUARDRAIL ATTACHMENT AT END OF APPROACH SLAB
 (Flexible Pavement Approach Slab Shown, Rigid Pavement Approach Slab Similar)

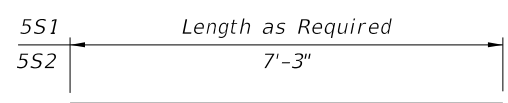
10/8/2020 9:25:51 AM

LAST REVISION 11/01/18	DESCRIPTION:	 FY 2021-22 STANDARD PLANS	TRAFFIC RAILING/NOISE WALL (8'-0") - BRIDGE	INDEX 521-509	SHEET 3 of 5
---------------------------	--------------	---	--	-------------------------	------------------------

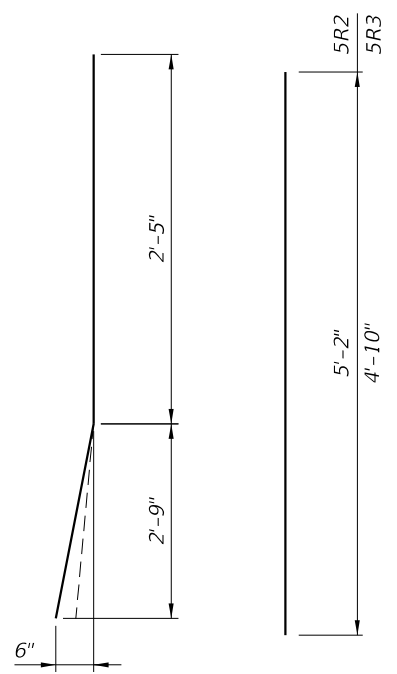
REINFORCING STEEL BENDING DIAGRAMS

BILL OF REINFORCING STEEL		
MARK	SIZE	LENGTH
R1	5	5'-2"
R2	5	5'-2½"
R3	5	4'-10"
S1	5	As Reqd.
S2	5	7'-3"
V	5	6'-6½"

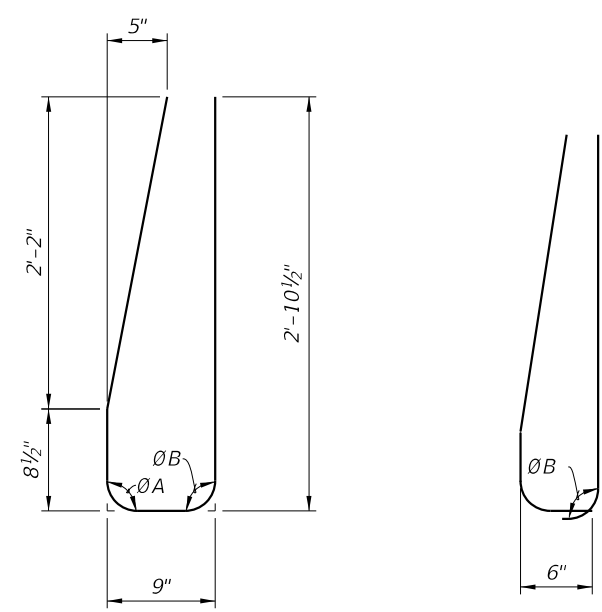
BRIDGE MOUNTED	BRIDGE CROSS-SLOPE	LOW GUTTER		HIGH GUTTER	
		∅A	∅B	∅A	∅B
	0% to 2%	90°	90°	90°	90°
	2% to 6%	93°	87°	87°	93°
	6% to 10%	96°	84°	84°	96°



BARS 5S1 & 5S2



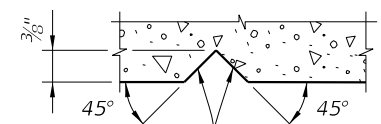
BAR 5R1
BAR 5R2 & BAR 5R3
(Field Cut and Bend for Railing End Transition)



STIRRUP BAR 5V
END STIRRUP BAR 5V
To Be Field Cut (Railing End Transition)

REINFORCING STEEL NOTES:

- All bar dimensions in the bending diagrams are out to out.
- All reinforcing steel at the open joints shall have a 2" minimum cover.
- Bars 5R shall be one continuous or lap spliced bar. No mechanical couplers are permitted.
- Bars 5S1 may be continuous or spliced at the construction joints. Lap splices for Bars 5R2 and 5S1 shall be a minimum of 2'-2".
- The Contractor may use Welded Wire Reinforcement (WWR) when approved by the Engineer. WWR must consist of deformed wire meeting the requirements of Specification Section 931.

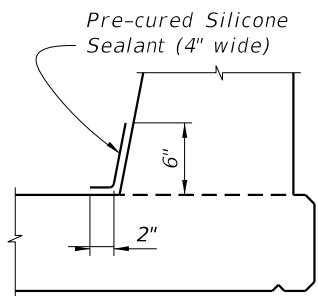


SECTION THRU RECESSED "V" GROOVE TO FORM INSCRIBED LETTERS AND FIGURES

Paint Recessed Surfaces Black

INTERMEDIATE JOINT SEAL NOTES:

- At Intermediate Open Joints, seal the lower 6" portion of the open joint with Pre-cured Silicone Sealant in accordance with Specification Section 932.
- Apply sealant prior to any Class V finish coating and remove all curing compound and loose material from the surface prior to application of bonding agent.
- The cost of the Pre-cured Silicone Sealant shall be included in the Contract Unit Price for the Traffic Railing.



DETAIL "B" - SECTION AT INTERMEDIATE OPEN JOINT

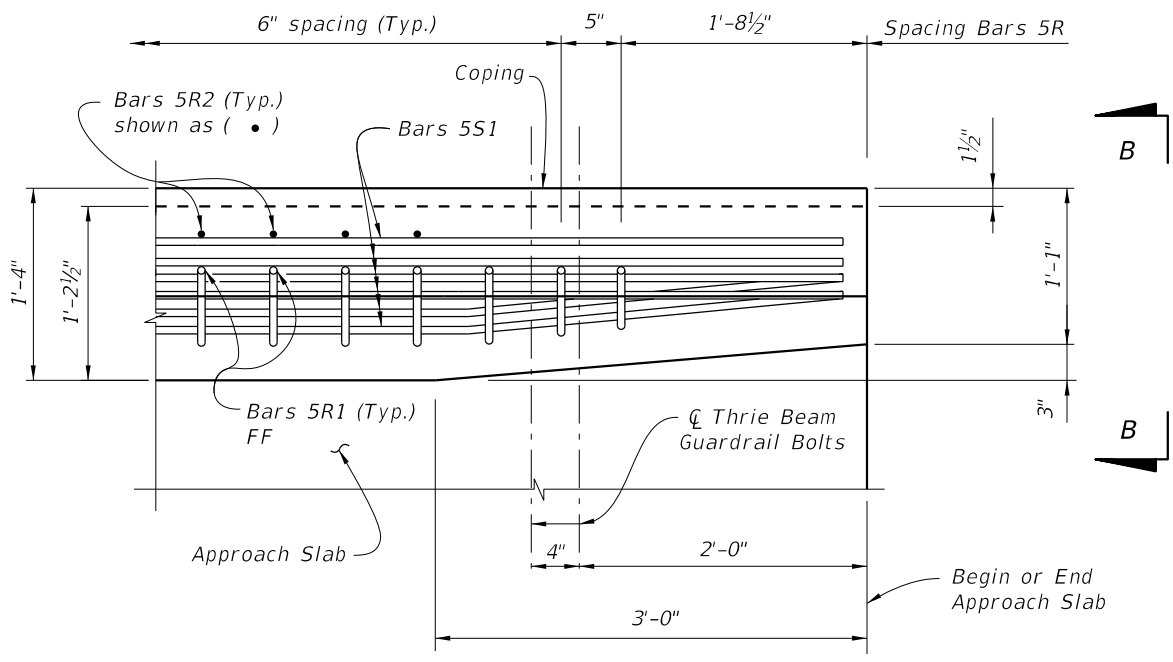
ESTIMATED TRAFFIC RAILING/NOISE WALL QUANTITIES		
ITEM	UNIT	QUANTITY
Concrete (Railing)	CY/LF	0.107
Concrete (Noise Wall)	CY/LF	0.136
Reinforcing Steel (Typical)	LB/LF	69.36
Additional Reinf. @ Open Joint	LB	226.85

(The above quantities are based on the bridge mounted typical section, 2% deck cross slope and railing on low side of deck.)

CROSS REFERENCE:
For locations of Detail "B", see Sheet 1.

10/8/2020 9:25:52 AM

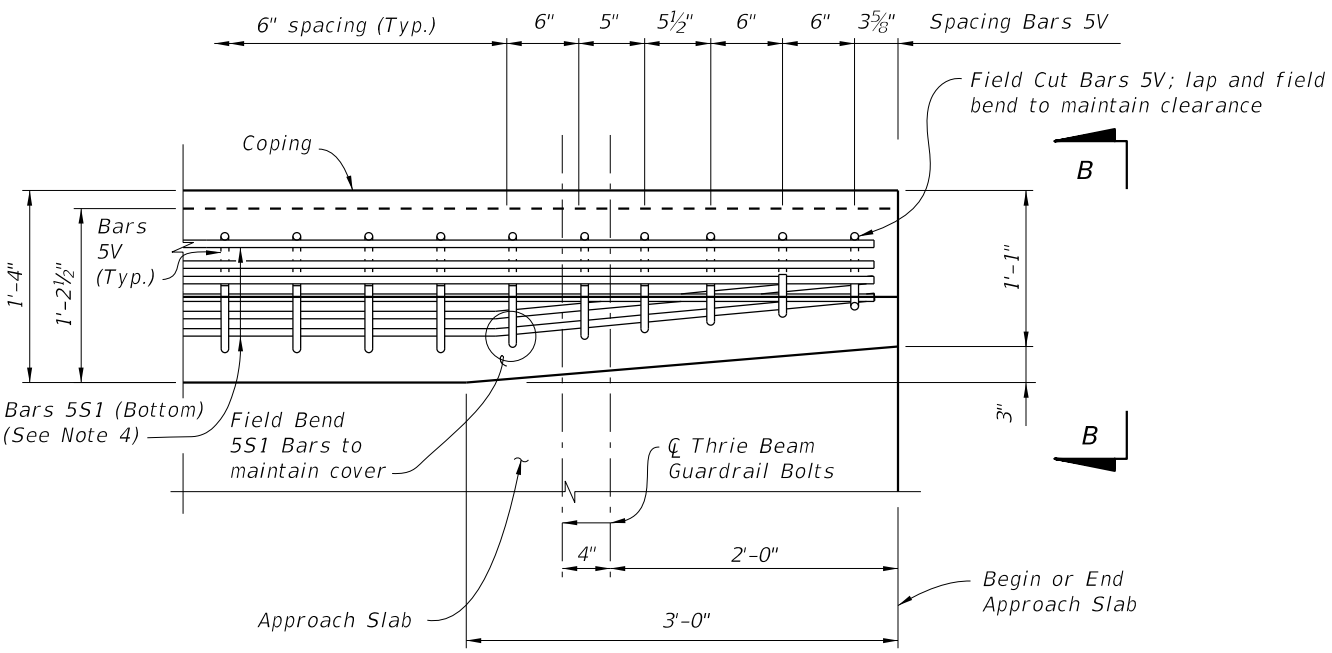
LAST REVISION 11/01/18	DESCRIPTION:
---------------------------	--------------



PLAN - RAILING END TRANSITION
 (Showing Bars 5R, and Bars 5S1) (Bars 5V & Noise Wall Reinforcement not shown for Clarity)

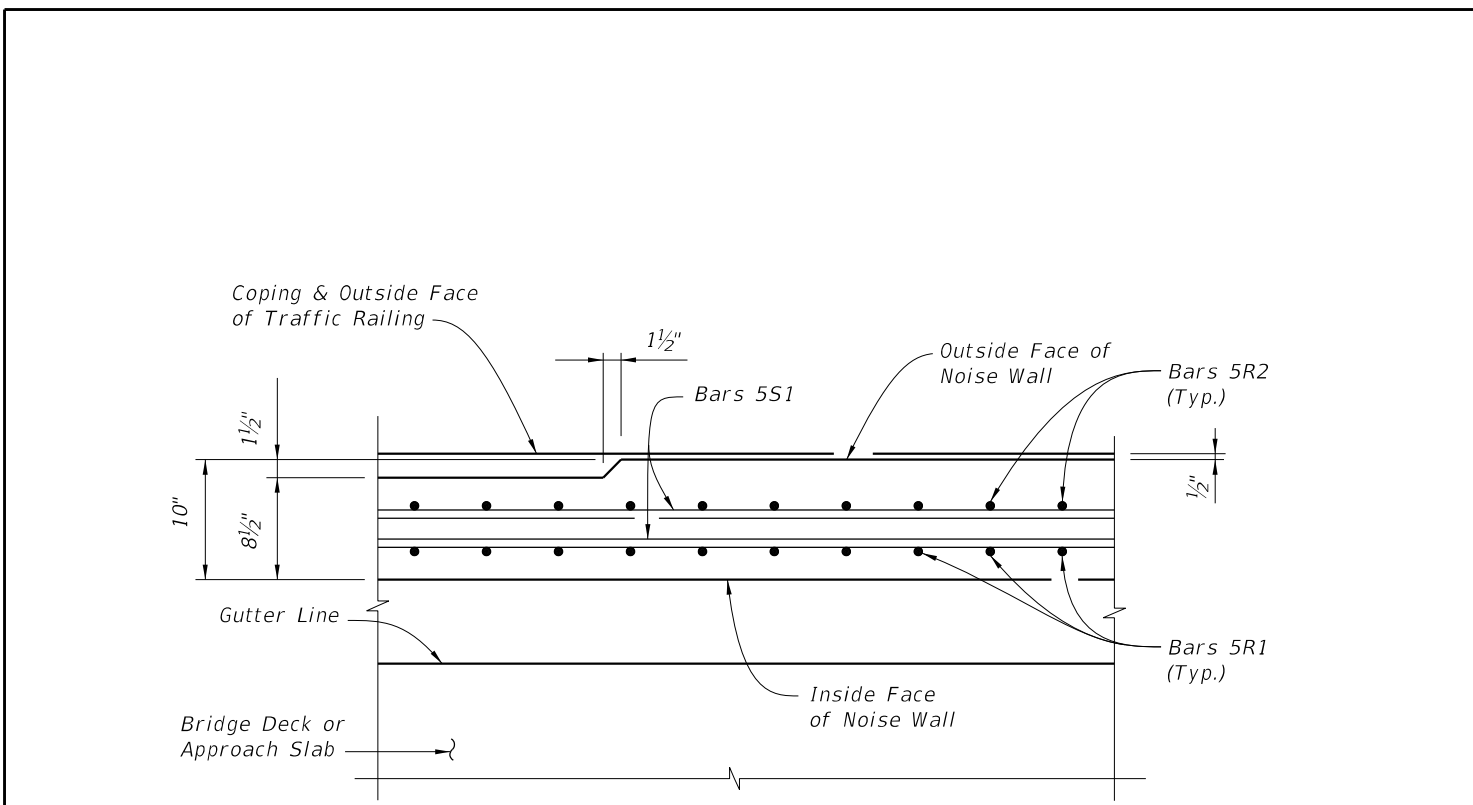
DETAIL "A" NOTES:

1. Begin placing Railing Bars 5V at the railing end and proceed toward the guardrail (thrie beam) terminal connector to ensure placement of guardrail bolt holes. Pair Bars 5R with Bars 5V as shown. Clearance of Bars 5R & 5V to guardrail bolt holes shall be checked to prevent cutting of bars if holes are to be drilled. Shift bars locally where conflicts occur.
2. For Guardrail connection details see Index 536-001.
3. Omit Railing End Transition if a 36" Single-Slope Traffic Railing is used beyond the End Taper. See the Plan Sheets.
4. Field cut Bars 5R2 to maintain cover. Field cut Bars 5V and lap as necessary to maintain cover; field cut & bend Bars 5R1 front leg (more plumb) to maintain cover and tie to S1 Bars.



PLAN - RAILING END TRANSITION
 (Showing Bars 5V and Bars 5S1) (Bars 5R not shown for Clarity)

DETAIL "A"

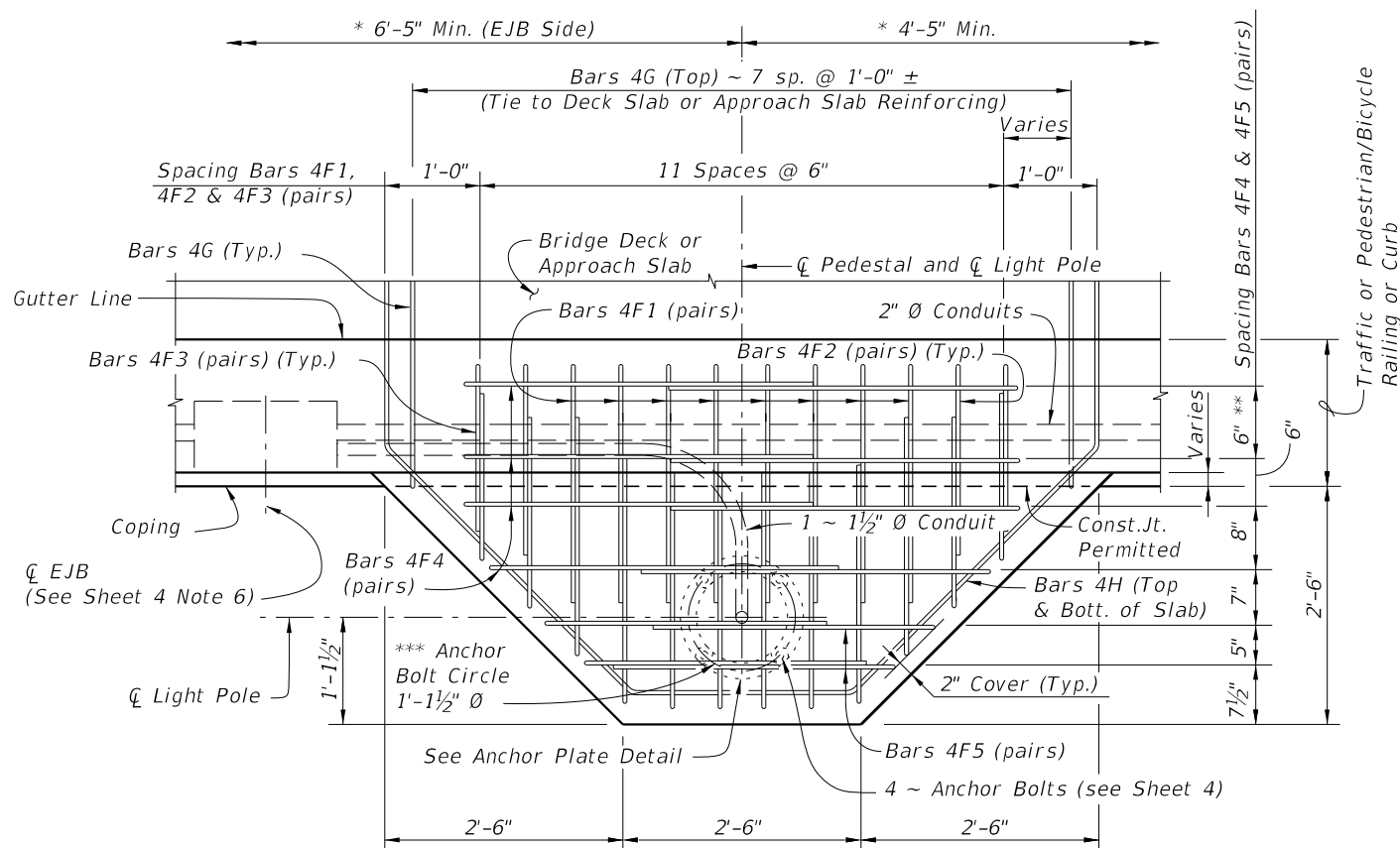


SECTION C-C
 THRU NOISE WALL END TAPER

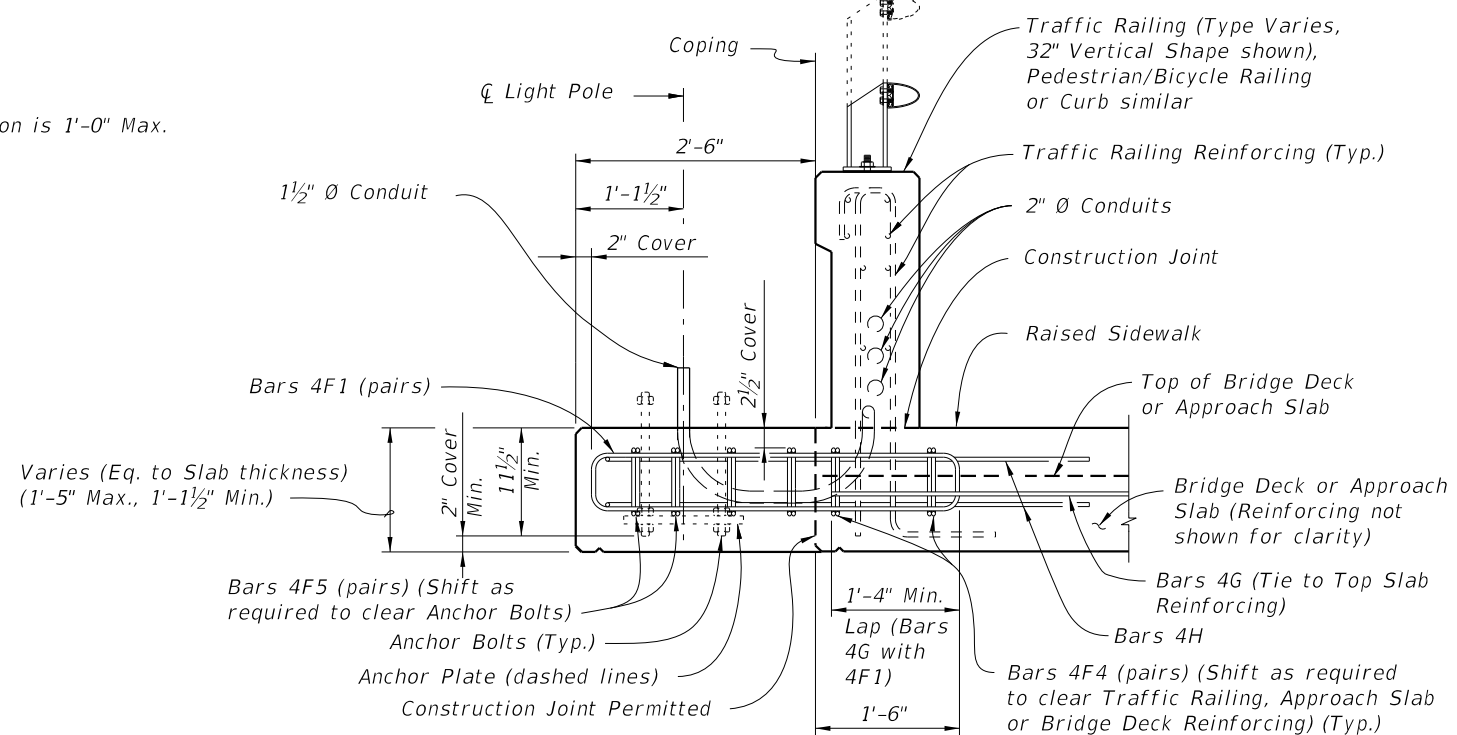
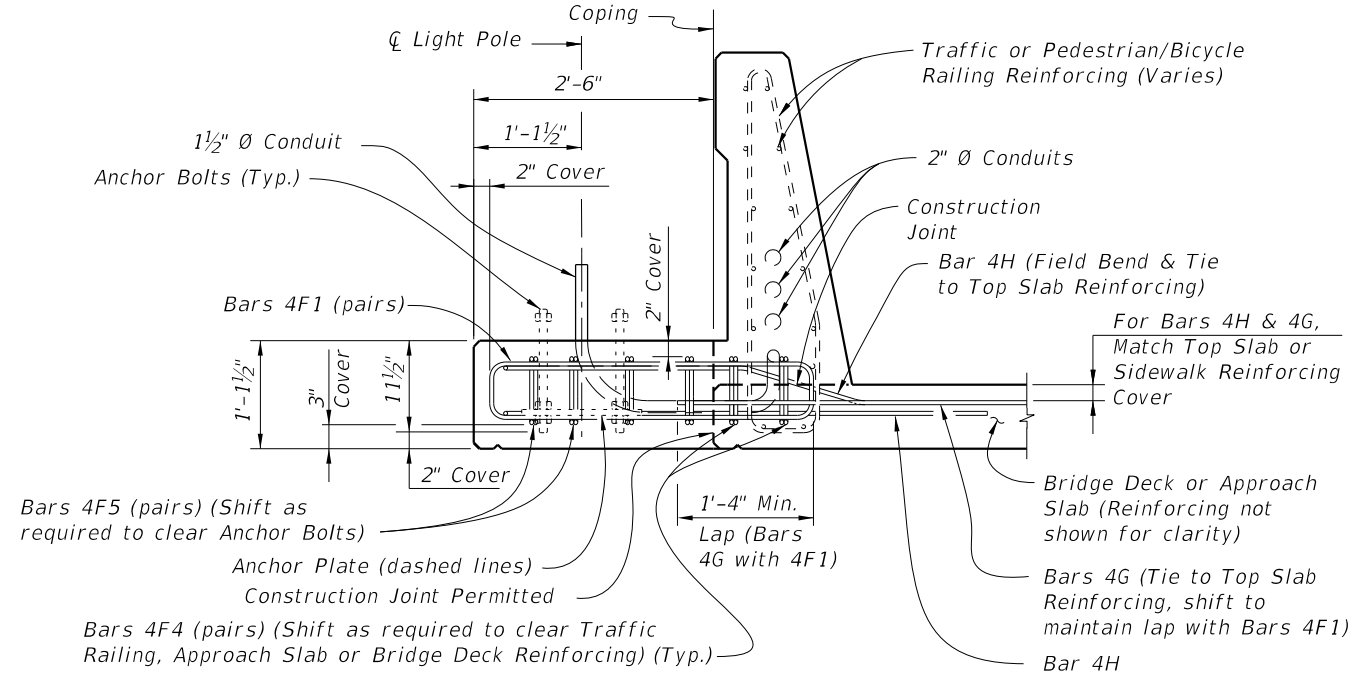
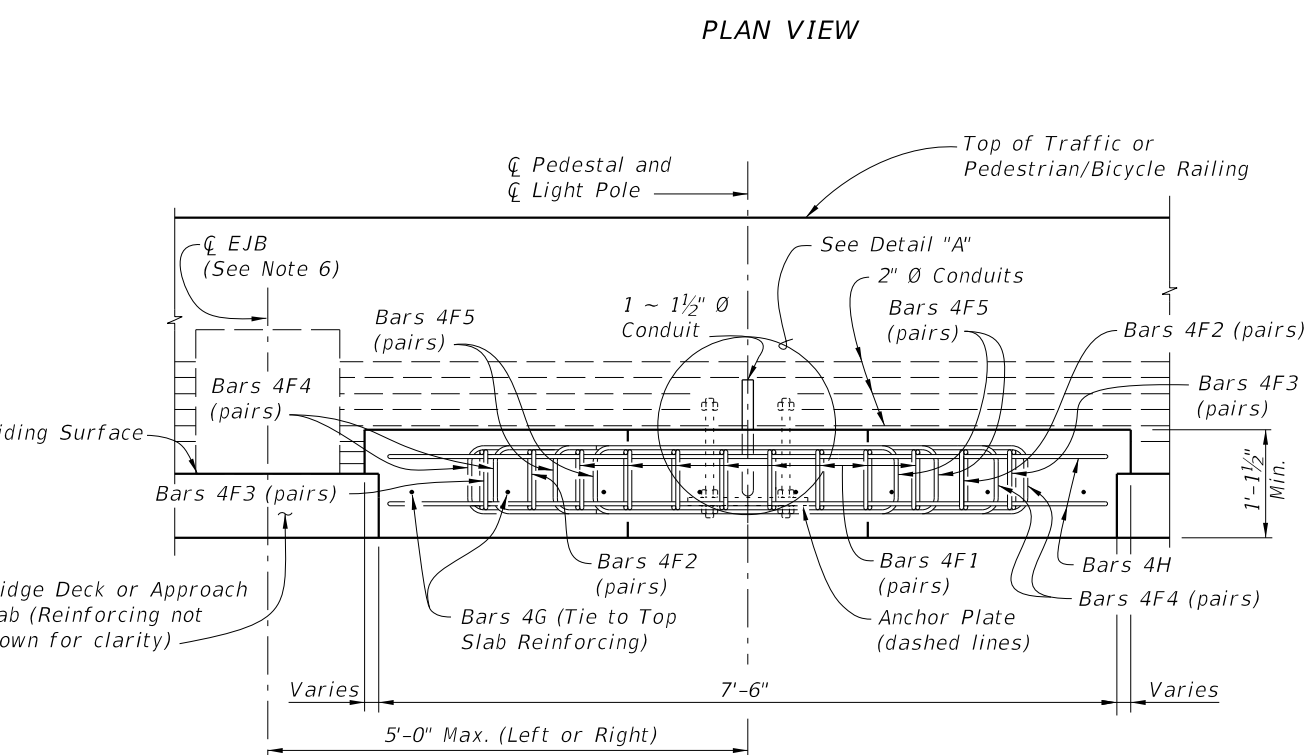
CROSS REFERENCE:
 For location of Detail "A" see Sheet 1.
 For location of Section C-C see Sheet 1.
 For View B-B see Sheet 3.

10/8/2020 9:25:54 AM

LAST REVISION 11/01/18	DESCRIPTION:		FY 2021-22 STANDARD PLANS	TRAFFIC RAILING/NOISE WALL (8'-0") - BRIDGE	INDEX	SHEET
					521-509	5 of 5



* Slip Forming Method of Construction requires the Engineer's approval within the limits shown.
 ** For Index 521-820 - Pedestrian/Bicycle Railing and concrete curb, this dimension is 3 1/2". For raised sidewalks, this dimension is 1'-0" Max.
 *** Anchor Bolt pattern orientation shall be as shown.

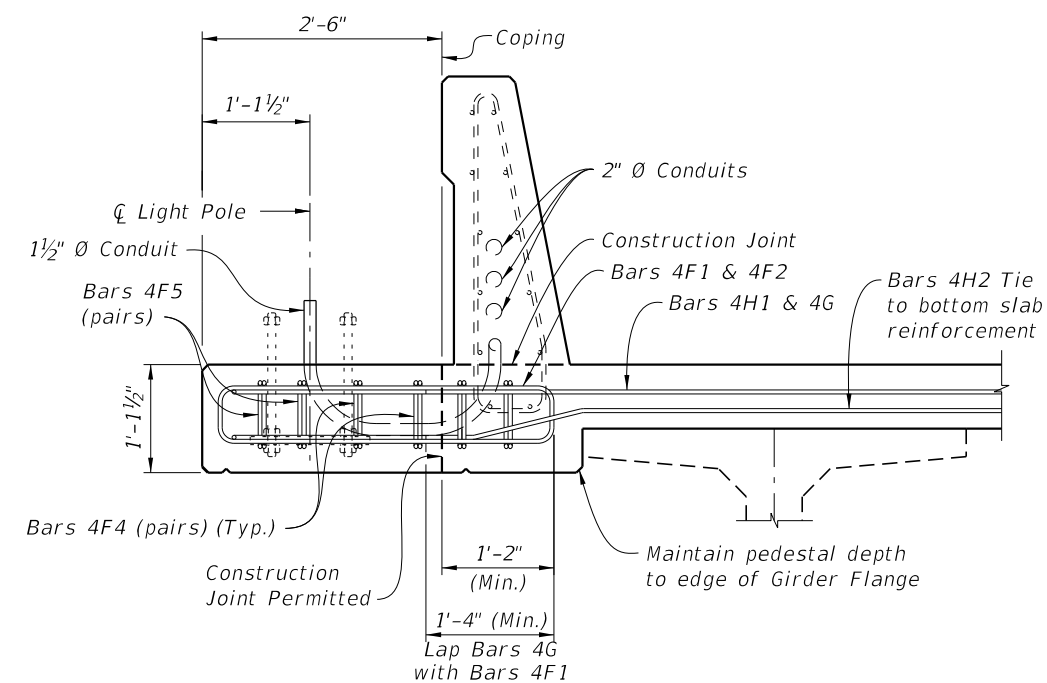
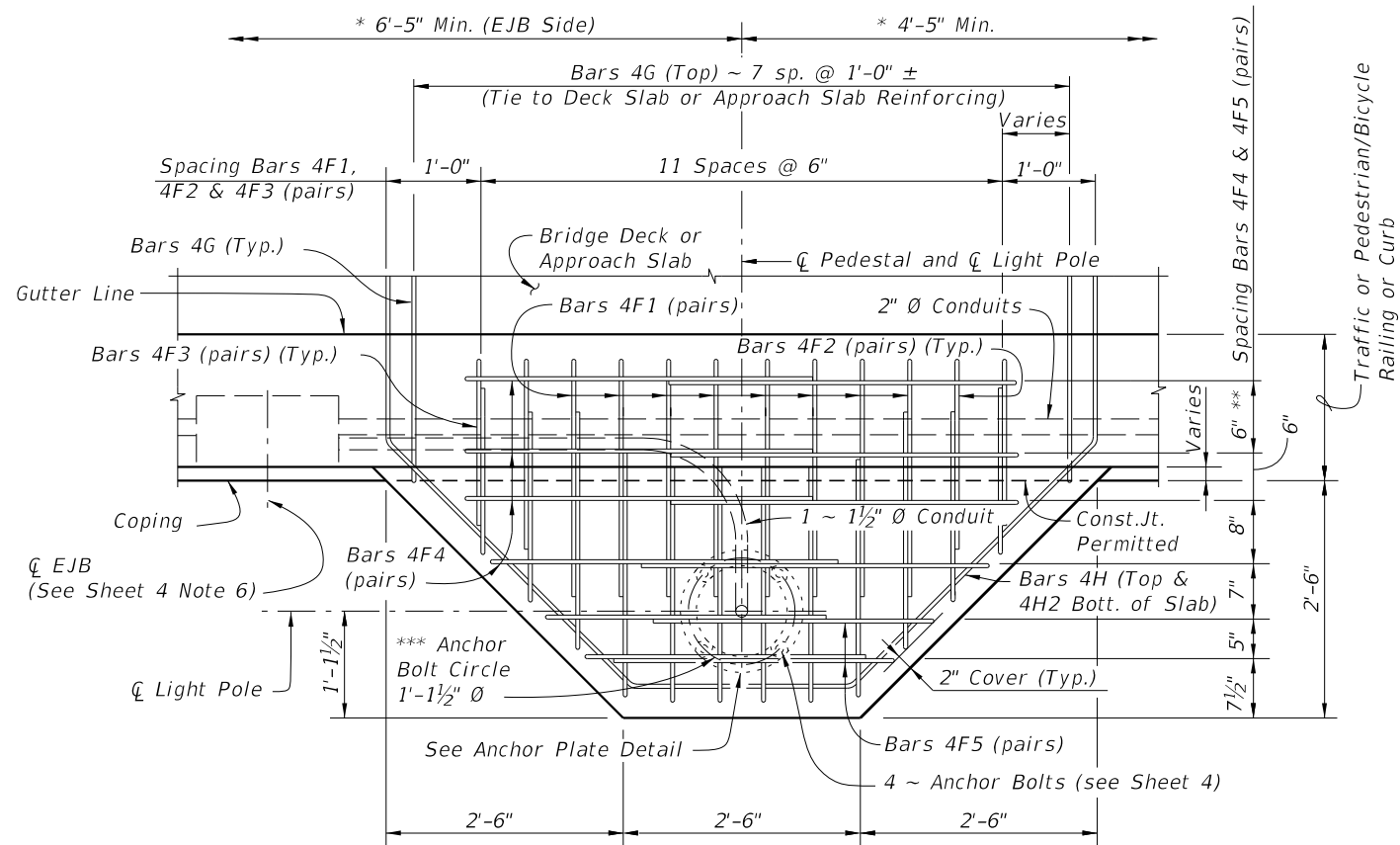


CROSS REFERENCE:
 For Detail "A", Anchor Plate Detail and Light Pole Pedestal Notes, see Sheet 4.
 NOTE: Anchor Bolt, Nuts, Washers and Anchor Plate are dashed for clarity.

==== LIGHT POLE PEDESTAL FOR APPROACH SLAB OR BRIDGE DECK THICKNESS LESS THAN 1'-5 1/2" AT COPING ====

10/8/2020 9:25:57 AM

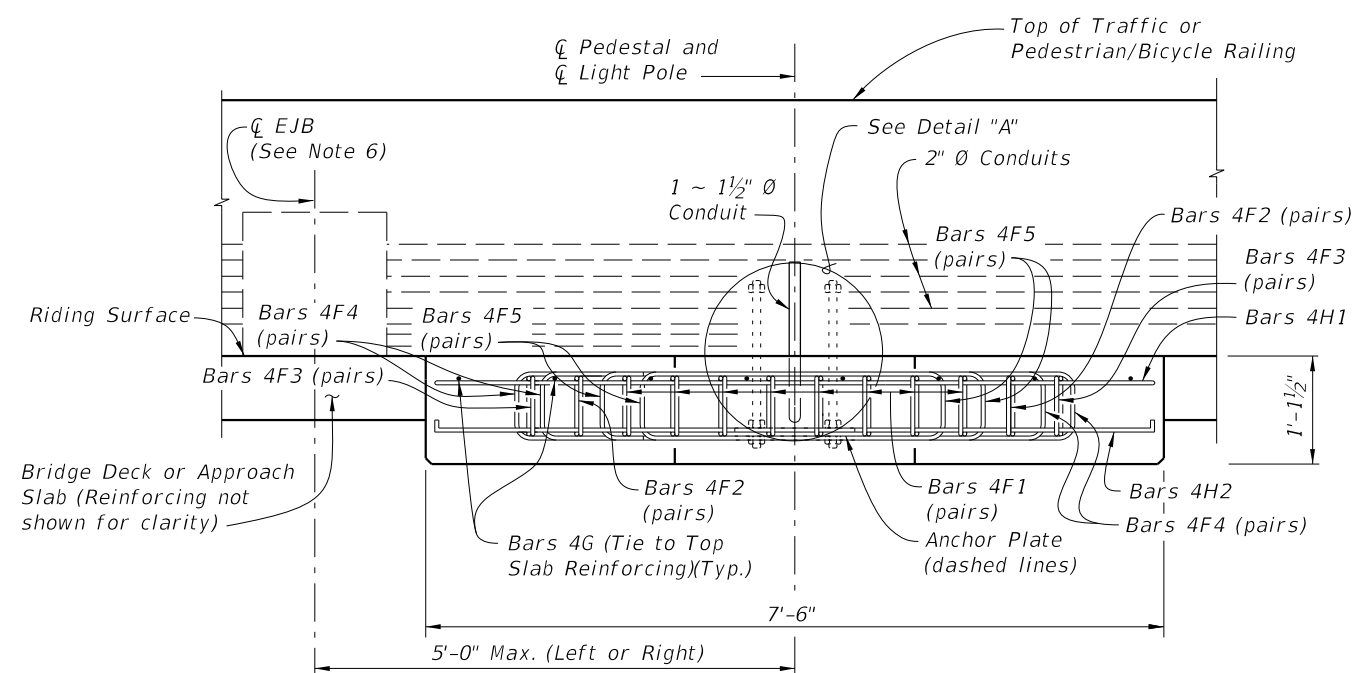
LAST REVISION 11/01/19	REVISION	DESCRIPTION:	 FY 2021-22 STANDARD PLANS	LIGHT POLE PEDESTAL - BRIDGE	INDEX 521-660	SHEET 1 of 4
---------------------------	----------	--------------	----------------------------------	------------------------------	------------------	-----------------



OPTION 2 - TYPICAL SECTION AT LIGHT POLE PEDESTAL (Approach Slab Similar)

* Slip Forming Method of Construction requires the Engineer's approval within the limits shown.
 ** For Index 521-820 - Pedestrian/Bicycle Railing and concrete curb, this dimension is 3 1/2". For raised sidewalks, this dimension is 1'-0" Max.
 *** Anchor Bolt pattern orientation shall be as shown.

PLAN VIEW



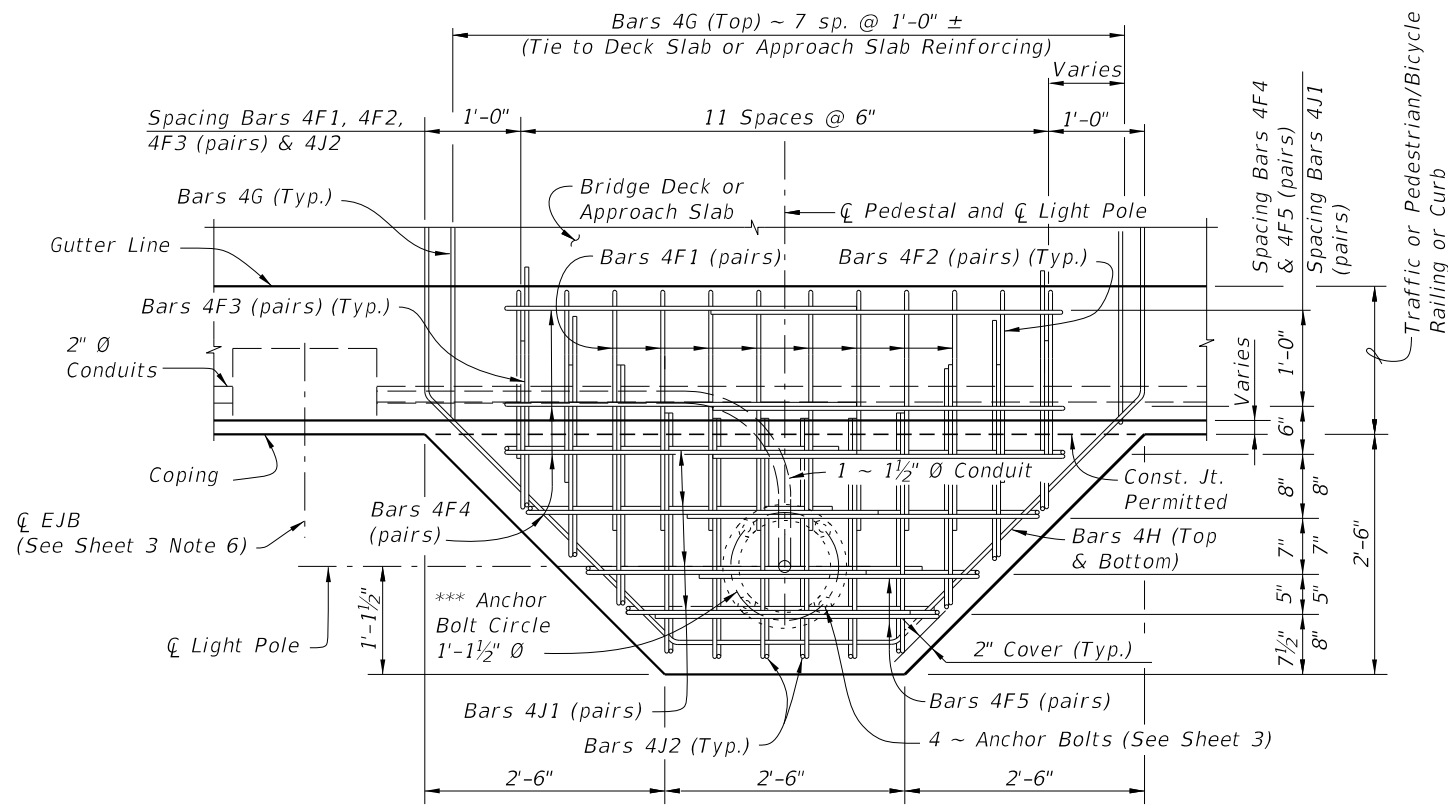
OPTION 2 - ELEVATION VIEW

CROSS REFERENCE:
 For Detail "A", Anchor Plate Detail and Light Pole Pedestal Notes, see Sheet 4.
NOTE: Anchor Bolt, Nuts, Washers and Anchor Plate are dashed for clarity.

LIGHT POLE PEDESTAL FOR APPROACH SLAB OR BRIDGE DECK LESS THAN 1'-5 1/2" AT COPING OPTION 2

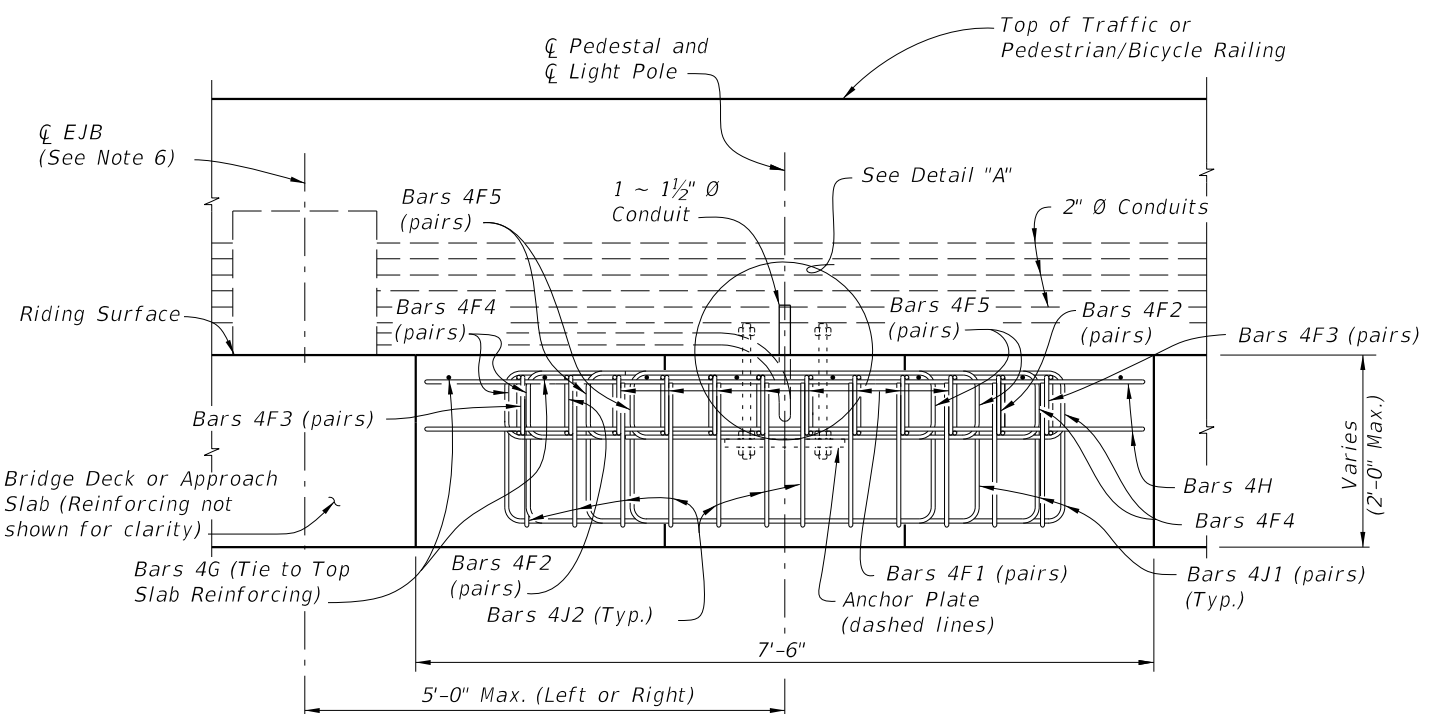
10/8/2020 9:25:59 AM

LAST REVISION 11/01/18	REVISION	DESCRIPTION:	 FY 2021-22 STANDARD PLANS	LIGHT POLE PEDESTAL - BRIDGE	INDEX 521-660	SHEET 2 of 4
---------------------------	----------	--------------	--	------------------------------	------------------	-----------------

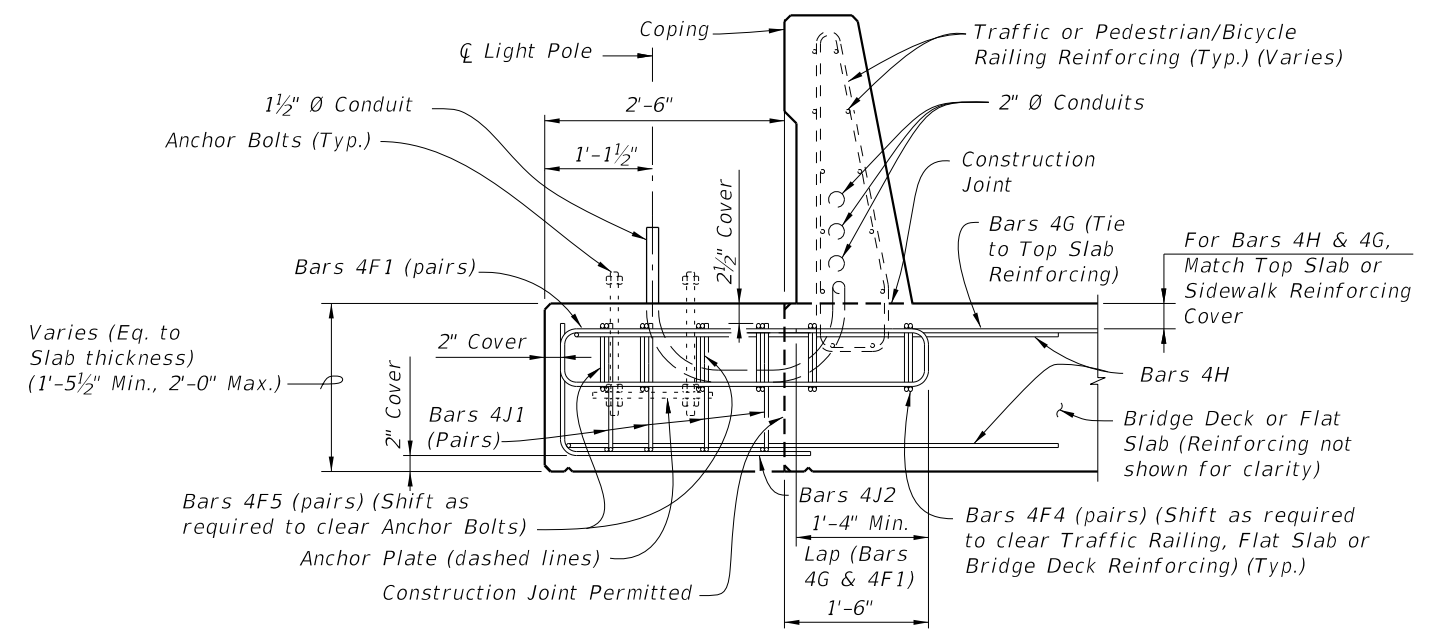


*** Anchor Bolt pattern orientation shall be as shown.

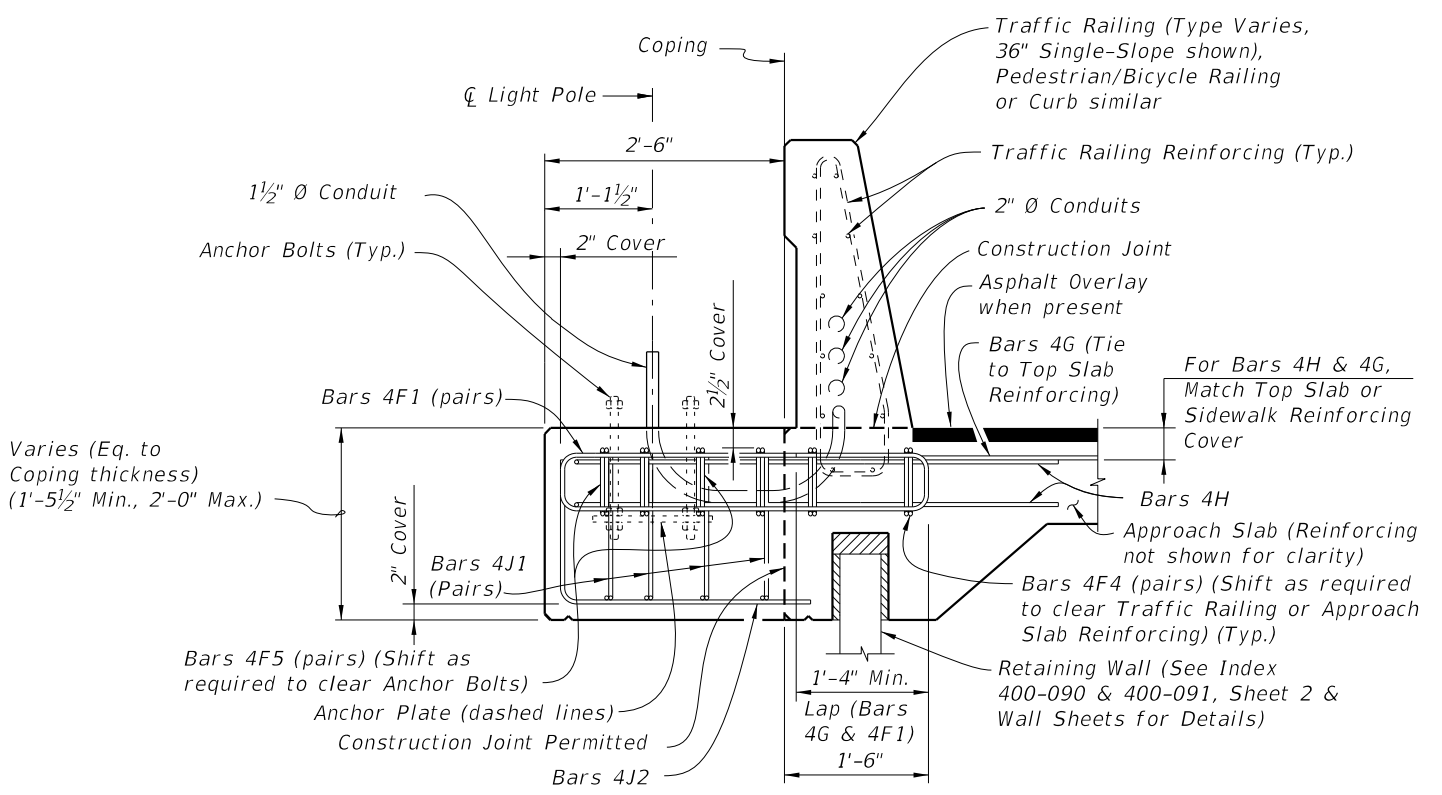
PLAN VIEW



ELEVATION VIEW



TYPICAL SECTION AT LIGHT POLE PEDESTAL



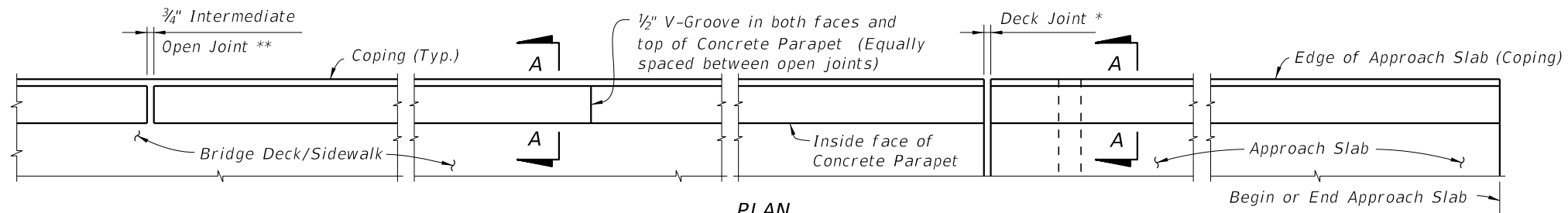
TYPICAL SECTION AT LIGHT POLE PEDESTAL FOR APPROACH SLAB ON RETAINING WALL

CROSS REFERENCE:
For Detail "A", Anchor Plate Detail and Light Pole Pedestal Notes, see Sheet 4.
NOTE: Anchor Bolt, Nuts, Washers and Anchor Plate are dashed for clarity.

===== LIGHT POLE PEDESTAL FOR APPROACH SLAB OR BRIDGE DECK THICKNESS AT COPING 1'-5 1/2" OR GREATER =====

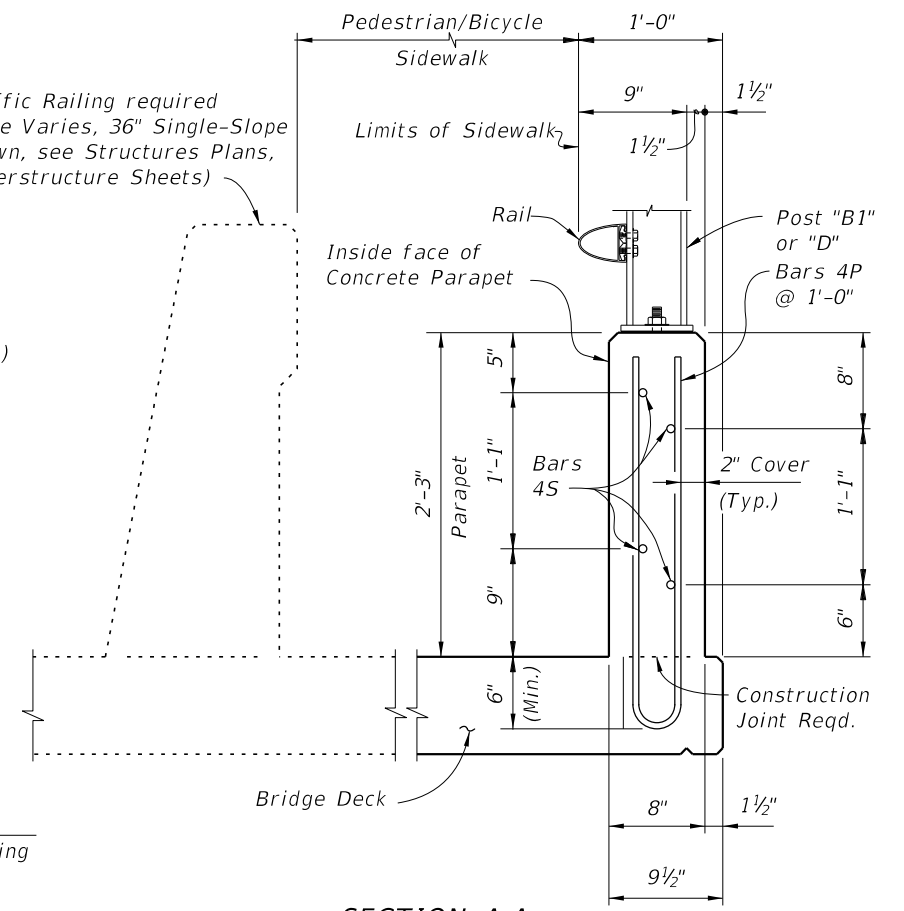
10/8/2020 9:26:01 AM

LAST REVISION 11/01/19	REVISION	DESCRIPTION:	 FY 2021-22 STANDARD PLANS	LIGHT POLE PEDESTAL - BRIDGE	INDEX 521-660	SHEET 3 of 4
---------------------------	----------	--------------	--	------------------------------	------------------	-----------------

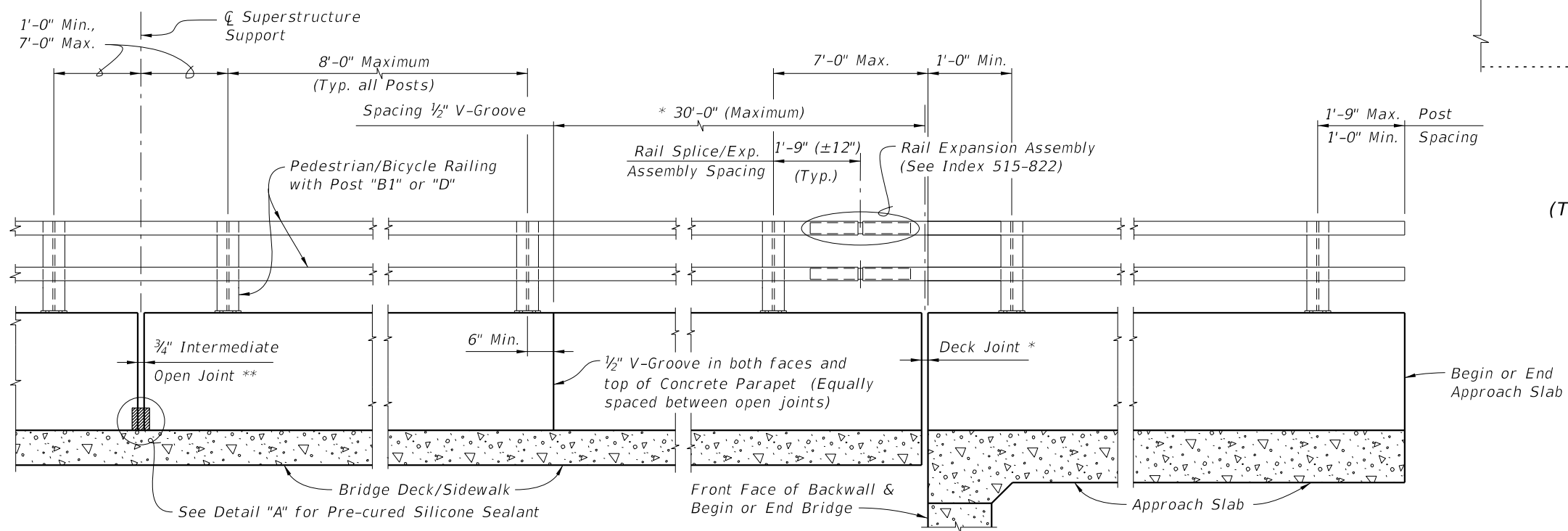


PLAN
(Rails, Posts & Reinforcing Steel not shown for clarity)

Traffic Railing required
(Type Varies, 36" Single-Slope
shown, see Structures Plans,
Superstructure Sheets)



SECTION A-A
(Typical Section Thru Bridge Deck Shown,
Section Thru Approach Slab Similar)
Bars P1 shown, Bars P2 similar



ELEVATION OF INSIDE FACE OF RAILING
(Reinforcing Steel not shown for clarity)


PEDESTRIAN/BICYCLE RAILING NOTES:

- CONCRETE PARAPET: Concrete parapet shall be placed vertical and top surface shall be level transversely.
- RAIL AND POST DETAILS: For Rail, Post, Rail Splice/Expansion Assembly fabrication and installation details see Index 515-022.
- BRIDGE FENCING: For Bridge Fencing see Index 550-010 thru 550-013 in lieu of Posts and Rails on Index 515-022.
- PAYMENT: Concrete parapet shall be paid for under the contract unit price for 27" Concrete Parapet (Pedestrian/Bicycle), LF, and Rails shall be paid for under Bullet Railings, LF.

* See Structures Plans, Superstructure Sheets for actual dimensions and joint orientation. Open Parapet Joints at Deck Expansion Joint locations shall match the dimension of the Deck Joint. For treatment of Railings on skewed bridges see Index 521-427. Deck Joint at Begin Bridge or End Bridge shown. Deck Joint at Center Pier or Intermediate Bent similar.

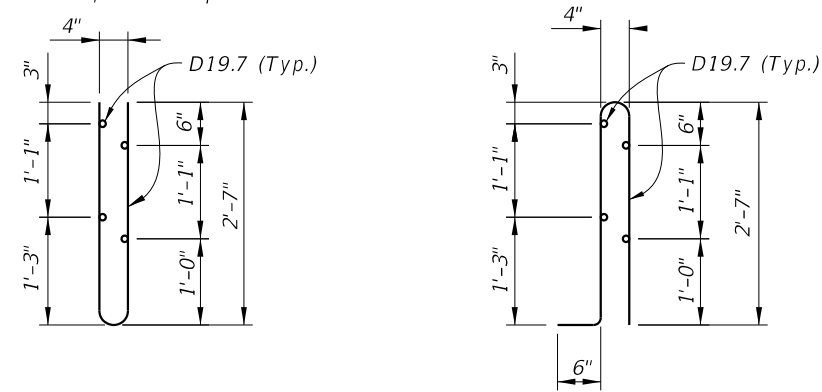
** 3/4" Intermediate Open Joints shall be provided at locations coinciding with 3/4" Joints for the Traffic Railing.

10/01/2020 9:26:05 AM

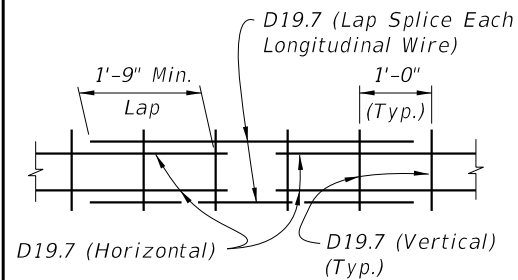
LAST REVISION 11/01/18	REVISION	DESCRIPTION:	 FY 2021-22 STANDARD PLANS	27" CONCRETE PARAPET WITH PEDESTRIAN/BICYCLE BULLET RAILING	INDEX 521-820	SHEET 1 of 2
---------------------------	----------	--------------	---	--	------------------	-----------------

ALTERNATE REINFORCING (WELDED WIRE REINF.) DETAILS

NOTE: Place wire panels to minimize the end overhang. End Overhangs greater than 4¾" are not permitted.



WELDED WIRE REINFORCEMENT (WWR)

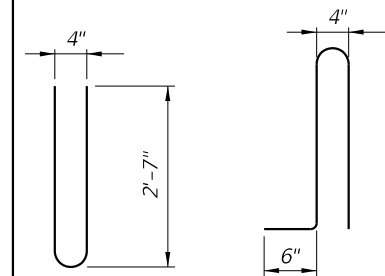


SPLICE DETAIL
(Between WWR Sections)

CONVENTIONAL REINFORCING STEEL BENDING DIAGRAMS

BILL OF REINFORCING STEEL

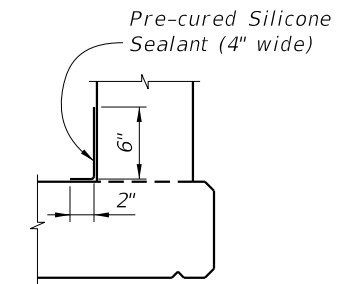
MARK	SIZE	LENGTH
P1	4	5'-6"
P2	4	6'-0"
S	4	As Reqd.



BAR 4P1 **BAR 4P2**

As Reqd.

BAR 4S



DETAIL "A" - SECTION
AT INTERMEDIATE OPEN JOINT

INTERMEDIATE JOINT SEAL NOTE:

1. At Intermediate Open Joints, seal the lower 6" portion of the open joint with Pre-cured Silicone Sealant meeting the requirements of Specification Section 932.
2. Apply sealant prior to any Class V finish coating and remove all curing compound and loose material from the surface prior to application of bonding agent.
3. The cost of the Pre-cured Silicone Sealant shall be included in the Contract Unit Price for the Concrete Parapet.

REINFORCING STEEL NOTES:

1. All bar dimensions in the bending diagrams are out to out.
2. The reinforcement for the parapet on a retaining wall shall be the same as detailed above for a 8" deck.
3. All reinforcing steel at the open joints shall have a 2" minimum cover.
4. Bars 4S may be continuous or spliced at the construction joints. Bar splices for Bars 4S shall be a minimum of 1'-8".
5. Bars 4P2 may be used in lieu of Bars 4P1.
6. At the option of the Contractor deformed WWR may be used in lieu of all Bars 4P or 4P2 and 4S.

ITEM	UNIT	QUANTITY
Concrete	CY/LF	0.056
Reinforcing Steel (P1 & S)	LB/FT	6.35
Reinforcing Steel (P2 & S)	LB/FT	6.68

(The above quantities are based on a deck with a 2% cross slope)

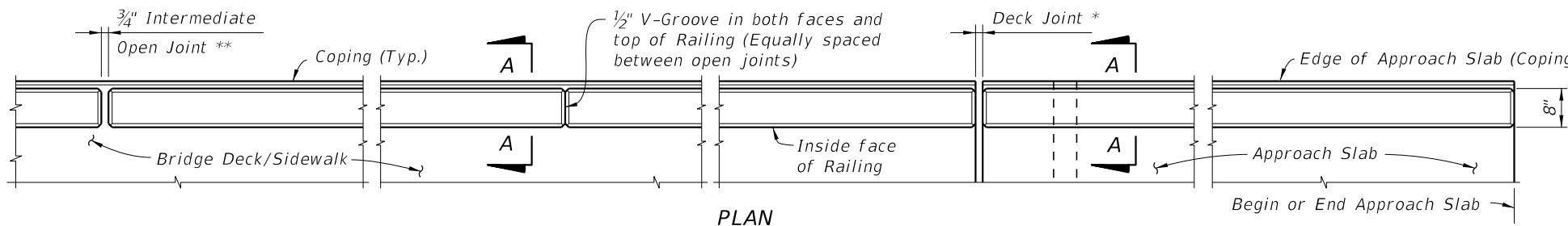
10/01/2020 9:26:08 AM

LAST REVISION	DESCRIPTION:
11/01/18	


FY 2021-22
STANDARD PLANS

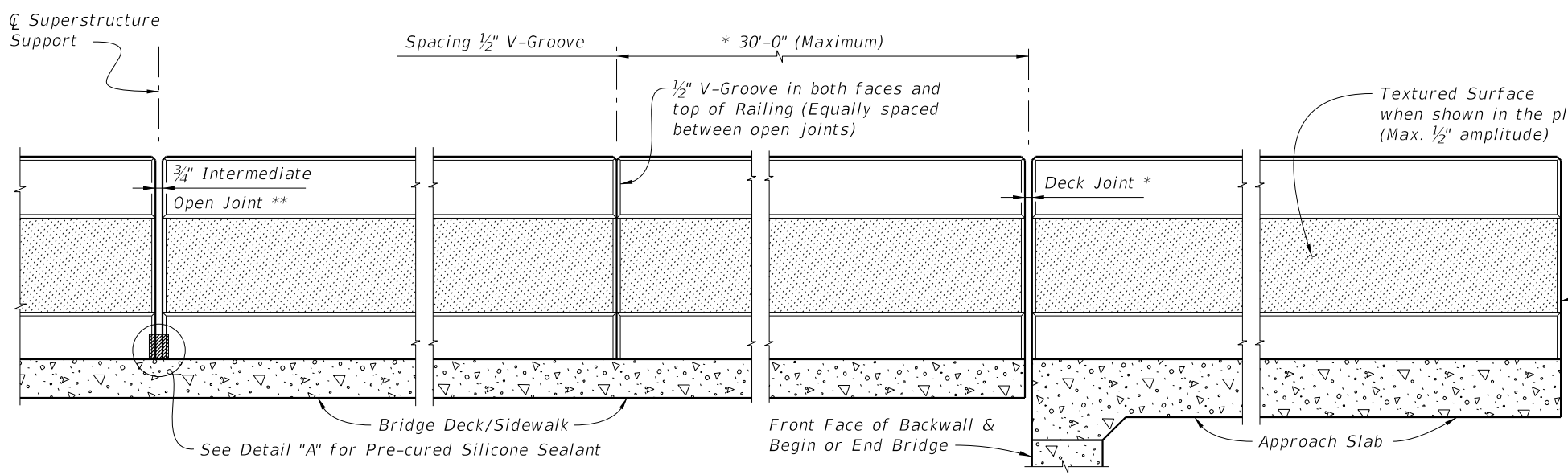
27" CONCRETE PARAPET WITH
PEDESTRIAN/BICYCLE BULLET RAILING

INDEX	SHEET
521-820	2 of 2

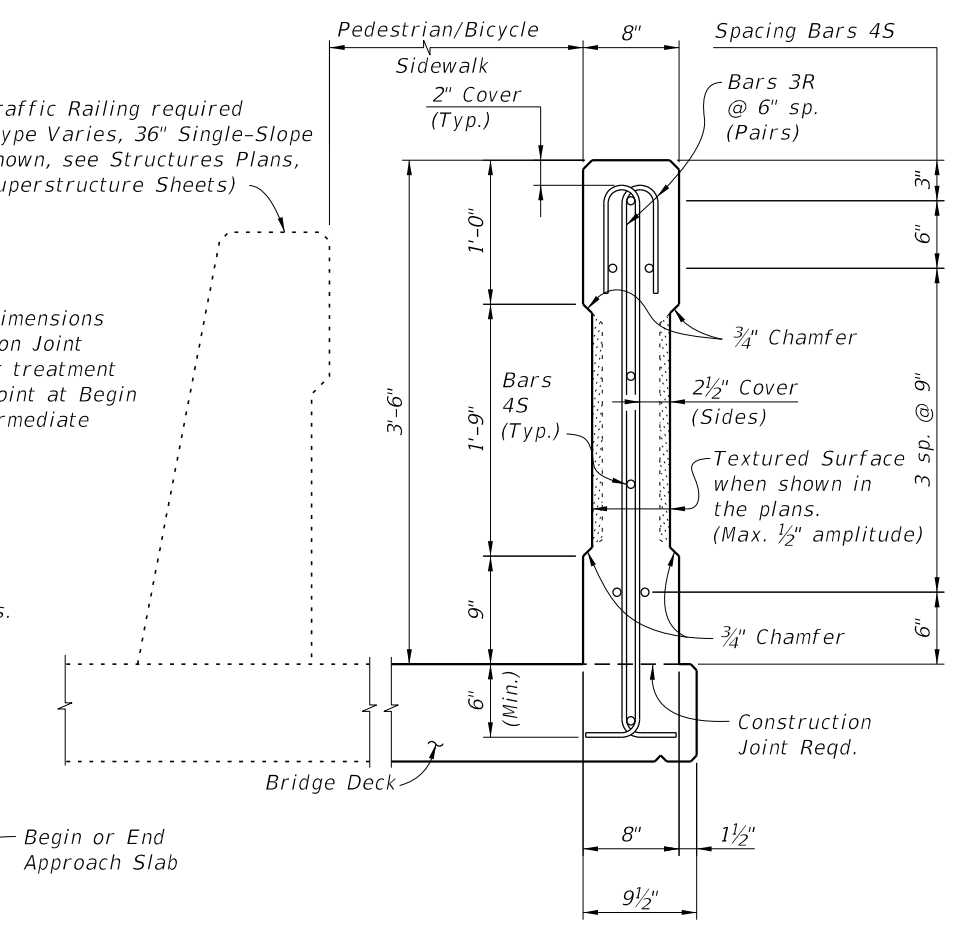


PLAN
(Reinforcing Steel not shown for clarity)

* See Structures Plans, Superstructure Sheets for actual dimensions and joint orientation. Open Railing Joints at Deck Expansion Joint locations shall match the dimension of the Deck Joint. For treatment of Railings on skewed bridges see Index 521-427. Deck Joint at Begin Bridge or End Bridge shown. Deck Joint at ϕ Pier or Intermediate Bent similar.



ELEVATION OF INSIDE FACE OF RAILING
(Reinforcing Steel not shown for clarity)



SECTION A-A
(Typical C-I-P Section Thru Bridge Deck Shown, Section Thru Approach Slab Similar)

** $\frac{3}{4}$ " Intermediate Open Joints shall be provided at locations coinciding with $\frac{3}{4}$ " Joints for the Traffic Railing.

RAILING NOTES:

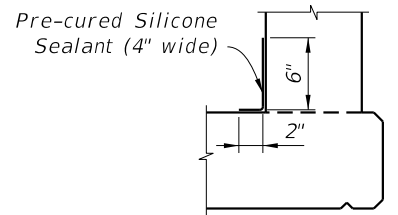
1. Railing shall be placed vertical and top surface shall be level transversely.

INTERMEDIATE JOINT SEAL NOTES:

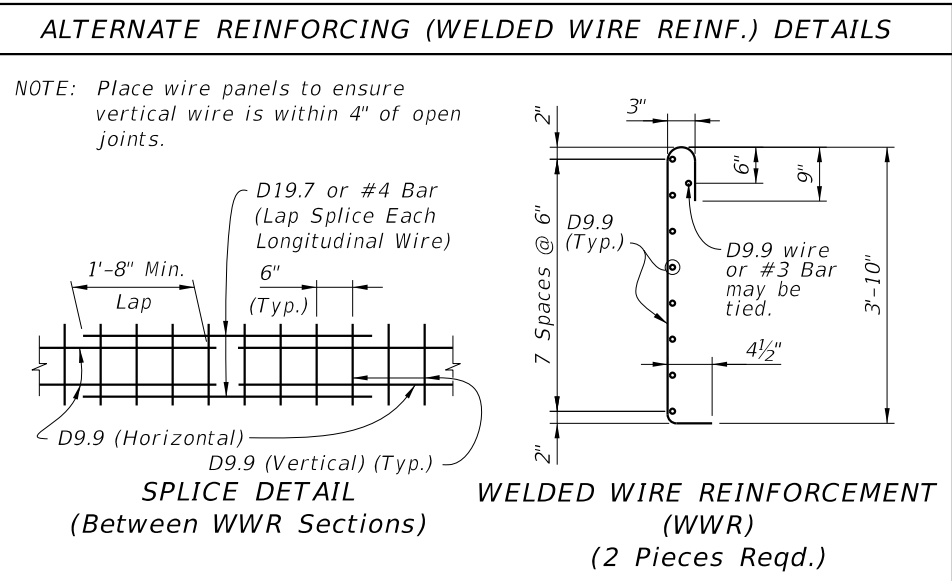
- At Intermediate Open Joints, seal the lower 6" portion of the open joint with Pre-cured Silicone Sealant in accordance with Specification Section 932.
- Apply sealant prior to any Class 5 Finish Coating and remove all curing compound and loose material from the surface prior to application of bonding agent.
- The cost of the Pre-cured Silicone Sealant shall be included in the Contract Unit Price for the Railing.

REINFORCING STEEL NOTES:

- All bar dimensions in the bending diagrams are out to out.
- The reinforcement for the railing on a retaining wall shall be the same as detailed above for an 8" deck.
- All reinforcing steel at the open joints shall have a 2" minimum cover.
- Bar splices for Bars 4S shall be a minimum of 1'-8".
- At the option of the Contractor deformed WWR may be used in lieu of all Bars 3R and 4S.



DETAIL "A" - SECTION AT INTERMEDIATE OPEN JOINT



CONVENTIONAL REINFORCING STEEL BENDING DIAGRAMS

BILL OF REINFORCING STEEL

MARK	SIZE	LENGTH
R	3	5'-2"
S	4	As Reqd.

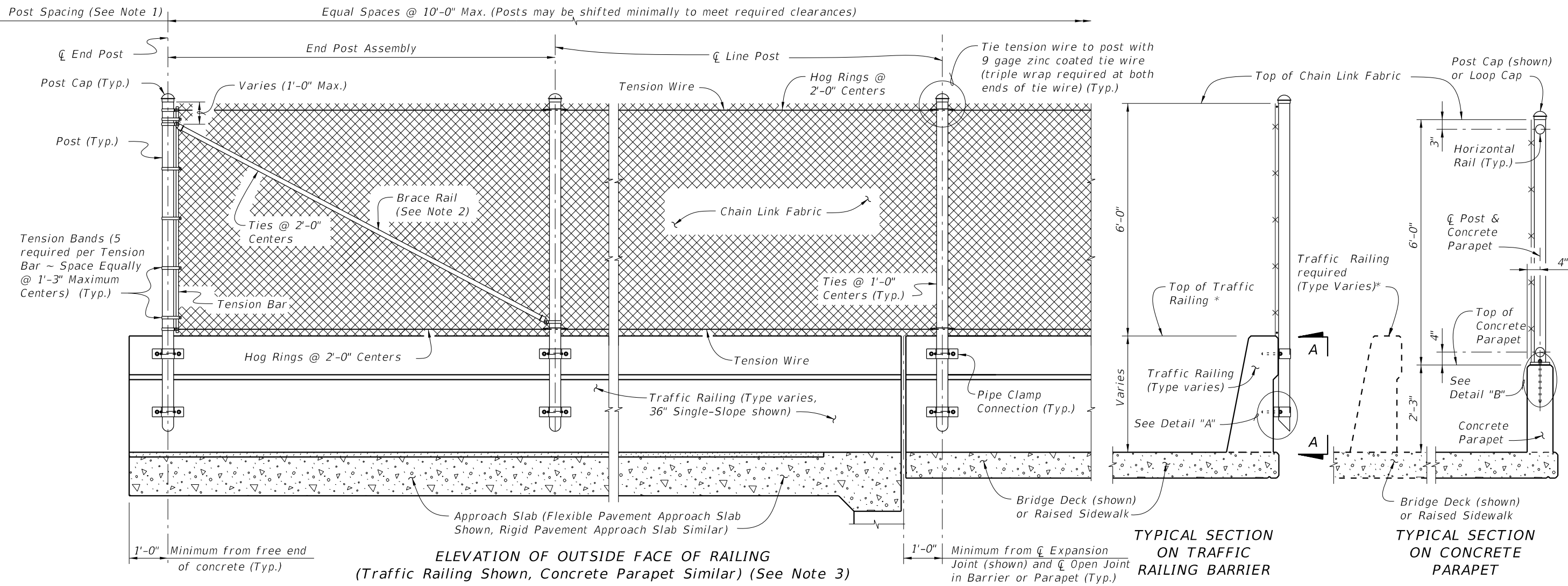
	As Reqd.
	As Reqd.

ESTIMATED CONCRETE RAILING QUANTITIES

ITEM	UNIT	QUANTITY
Concrete	CY/LF	0.079
Reinforcing Steel	LB/LF	13.12

(The above quantities are based on a deck with a 2% cross slope)

10/8/2020 9:26:11 AM



- NOTES:**
1. A Pull Post Assembly is required at maximum intervals of 500'-0". See Sheet 3.
 2. Brace rails are only required for vertical fence installations on Traffic Railing.
 3. Provide horizontal rails for vertical fence installations on Concrete Parapets in lieu of tension wire. Locate horizontal rails as shown in the Typical Section for Concrete Parapets at right.

* Do not anchor fencing to the top of Traffic Railings.

FENCING NOTES

FENCE INSTALLATION:
 Install posts plumb (within a tolerance of $\pm 1\frac{1}{2}$ "). Use shim plates as required to achieve plumb. The required quantity and thickness of shim plates will be determined in the field. Install chain link fence in accordance with ASTM F567 as applicable.

TRAFFIC RAILING DETAILS:
 See Superstructure Sheets for Traffic Railing details.

CONCRETE PARAPET DETAILS:
 See Index 521-820 - Pedestrian/Bicycle Railing for Concrete Parapet details. Provide fencing in lieu of aluminum bullet railing as shown on Index 521-820.

LIMITS OF FENCING:
 Limits of fencing are from begin of approach slab at Begin Bridge to end of approach slab at End Bridge, unless otherwise shown in the plans.

PAYMENT:
 Payment will be made under Fencing, Type R. Payment includes posts, horizontal and expansion rails, brace rails and bands, rail ends, combination rail ends, boulevard clamps, chain link fabric, tension wire, ties, hog rings, tension bars and bands, post and loop caps, pipe clamps, base plates, anchor rods, bolts, nuts, washers, shim plates, spacers, bearing pads, miscellaneous fence fittings and hardware and all incidental materials and labor required to complete installation of the fence.

CROSS REFERENCE:
 For Table of Fence Components, Table of Post Attachment Components, View A-A and Detail "A" see Sheet 2.
 For Pull Post Assembly Detail for Traffic Railings see Sheet 3.
 For Pull Post Assembly Detail for Concrete Parapets and Detail "B" see Sheet 4.

10/8/2020 9:26:13 AM

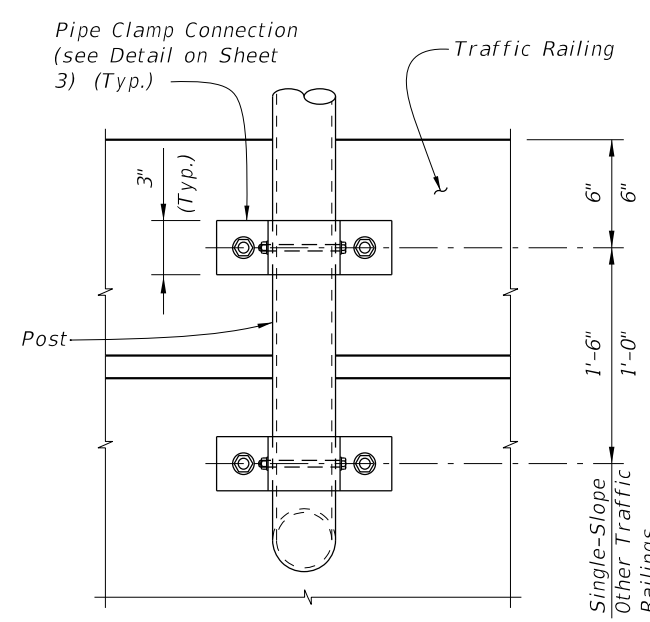
LAST REVISION 11/01/17	REVISION	DESCRIPTION:	 FY 2021-22 STANDARD PLANS	BRIDGE FENCING (VERTICAL)	INDEX 550-010	SHEET 1 of 4
---------------------------	----------	--------------	---	----------------------------------	-------------------------	------------------------

TABLE OF CHAIN LINK FENCE COMPONENTS

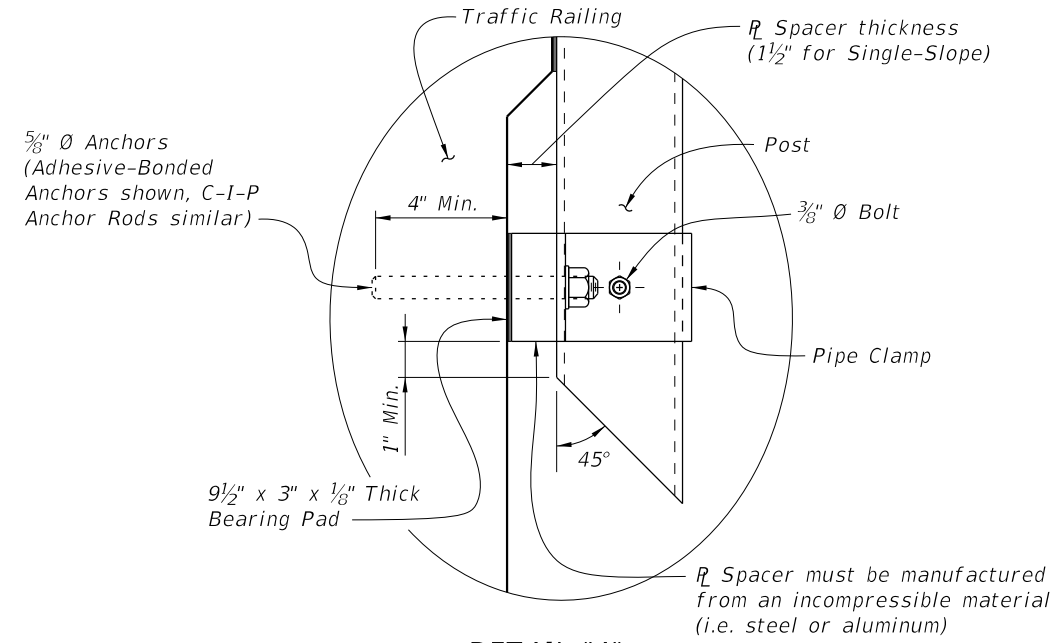
COMPONENT		ASTM DESIGNATION	COMPONENT INFORMATION
Traffic Railings and Concrete Parapets	Posts	F1083	Galvanized Steel Pipe - 3" NPS, Schedule 40 Regular Grade
	Chain Link Fabric (2" mesh with twisted top and knuckled bottom selvage)	A392	Zinc Coated Steel - 9 gage (coated wire diameter), Class 2 Coating
		A491	Aluminum Coated Steel - 9 gage (coated wire diameter)
		F668	Polyvinyl Chloride (PVC) Coated Steel - 9 gage Class 2b
	Tie Wires	F626	Zinc Coated Steel Wire - 9 gage
	Brace Bands	F626	12 Gage (Min. thickness) x 3/4" (Min. width) Steel Bands (Beveled or Heavy)
	Tension Bars	F626	3/16" (Min. thickness) x 3/4" (Min. width) x 5'-10" (Min. height) Steel Bars
	Tension Bands	F626	14 Gage (Min. thickness) x 3/4" (Min. width) Steel Bands
Miscellaneous Fence Components	F626	Zinc Coated Steel ~ (includes post or loop caps, horizontal and brace rail ends, combination rail ends, boulevard clamps and all other miscellaneous fittings & hardware)	
Concrete Parapets	Horizontal Rails	F1083	Galvanized Steel Pipe - 2 1/2" NPS, Schedule 40 Regular Grade
	Expansion Rails	F1083	Galvanized Steel Pipe - 2" NPS, Schedule 40 Regular Grade
	Bolts	A307	1/4" Ø x 4 1/4" Hex Head Bolts for Expansion Rail Connections
	Nuts	A563	Hex Nuts for Expansion Rail Connections
	Washers	F436	Flat Washers for Expansion Rail Connections
Traffic Railings	Tension Wire	A824 & A817	Type II (Zinc Coated Steel Wire) - 7 gage, Class 4 Coating Type I (Aluminum Coated Steel Wire) - 7 gage
	Hog Rings	F626	Zinc Coated Steel Wire - 12 gage
	Brace Rails	F1083	Galvanized Steel Pipe - 1 1/4" NPS, Schedule 40 Regular Grade

TABLE OF POST ATTACHMENT COMPONENTS

COMPONENT		ASTM DESIGNATION	COMPONENT INFORMATION
Pipe Clamps		A36 or A709 Grade 36	1/4" Steel R
Base Plates		A36 or A709 Grade 36	3/4" Steel R
Shim Plates		A36 or A709 Grade 36 or B209 Alloy 6061-T6 or B221 Alloy 6063-T5	Plate thicknesses as required; Holes in shim plates will be 3/4" Ø
Spacers		-	Plate thickness varies based on traffic railing type (See Detail "A")
Pipe Clamp Connection	Adhesive Anchor Rods	F1554 Grade 36	Fully threaded Headless Anchor Rods ~ 5/8" Ø x 6" (no spacer) or 5/8" Ø x (6" + spacer thickness)
	C-I-P Anchor Rods	F1554 Grade 36	Hex Head Anchor Rods ~ 5/8" Ø x 6" (no spacer) or 5/8" Ø x (6" + spacer thickness)
Base Plate Connection	Adhesive Anchor Rods	F1554 Grade 36	Fully threaded Headless Anchor Rods ~ 7/8" Ø x 14 1/2"
	C-I-P Anchor Rods	F1554 Grade 36	Hex Head Anchor Rods ~ 7/8" Ø x 14 1/2"
Bolts		A307	3/8" Ø x 4 3/4" Hex Head Bolts for Pipe Clamp Connections to Posts
Nuts		A563	Hex Nuts for Pipe Clamp and Base Plate Connections
Washers		F436	Flat Washers for Pipe Clamp and Base Plate Connections
Bearing Pads (Plain Neoprene)		-	In accordance with Specification Section 932 for Ancillary Structures



VIEW A-A



DETAIL "A"

POST ATTACHMENT NOTES

ANCHOR RODS, NUTS AND WASHERS:
After the nuts have been tightened, distort the Anchor Rod threads to prevent removal of the nuts. Coat distorted threads and exposed trimmed ends of anchors with a galvanizing compound in accordance with Specification Section 562.

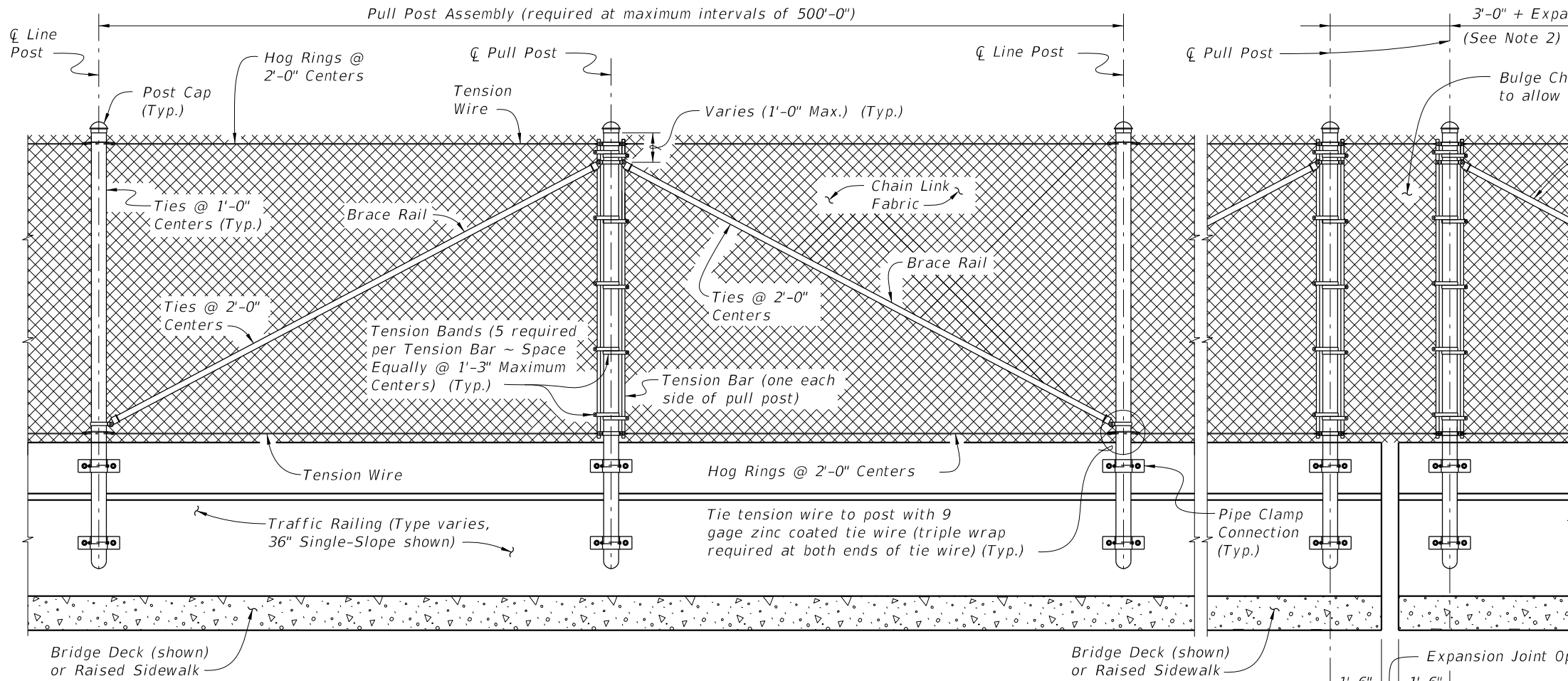
COATINGS:
Hot-dip galvanize all Nuts, Washers, Bolts, C-I-P Anchor Rods, Adhesive Anchors and Fence Framework (Posts, Internal Sleeves, Shim Plates, Base Plates, Pipe Clamps and Spacers) in accordance with Specification Section 962. Hot-dip galvanize Fence Framework after fabrication.

ADHESIVE-BONDED ANCHORS AND DOWELS:
Adhesive Bonding Material Systems for Anchors and Dowels will comply with Specification Section 937 and be installed in accordance with Specification Section 416. Cutting of reinforcing steel is permitted for drilled hole installation.

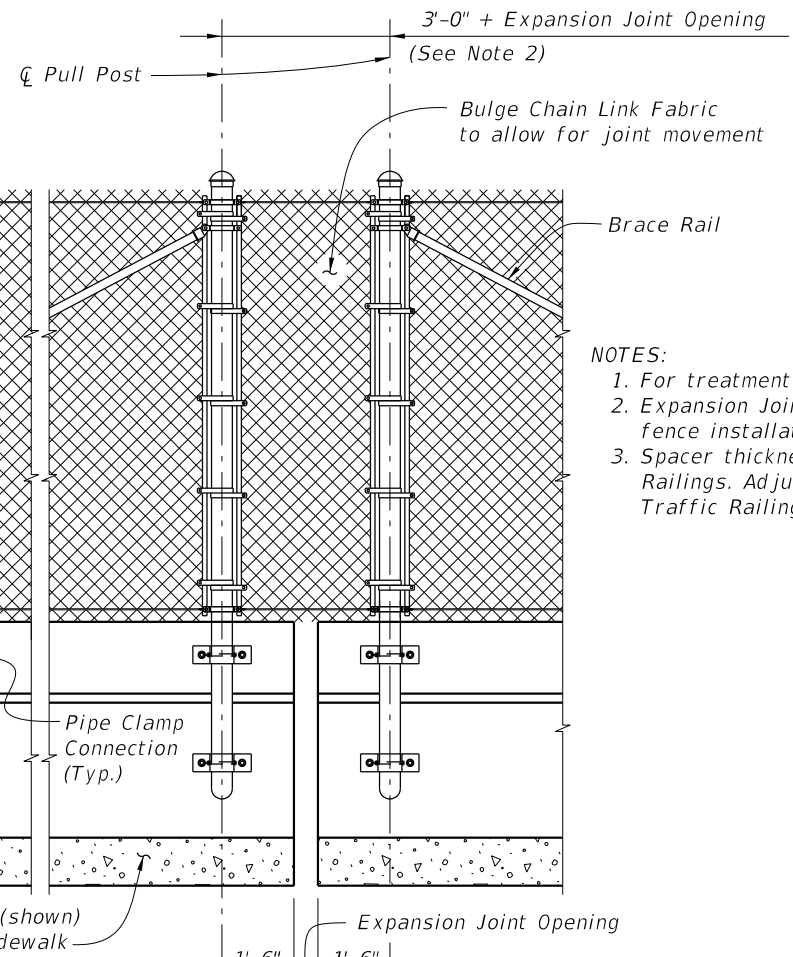
WELDING:
All welding will be in accordance with the American Welding Society Structural Welding Code (Steel) ANSI/AWS D1.1 (current edition). Weld metal will be E60XX or E70XX. Nondestructive testing of welds is not required.

CROSS REFERENCE:
For location of View A-A and Detail "A" see Sheet 1.

10/8/2020 9:26:15 AM



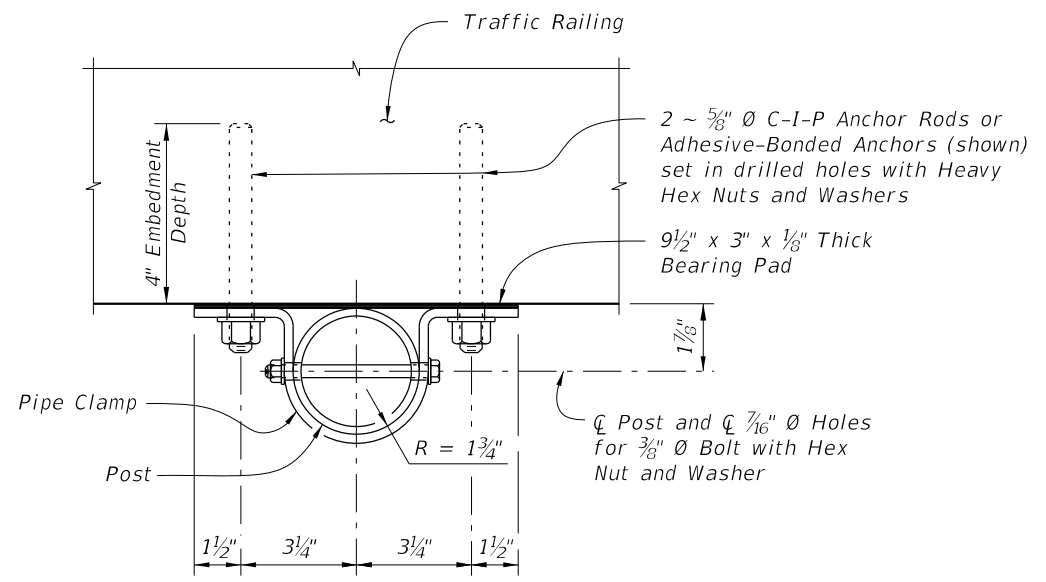
PULL POST ASSEMBLY DETAIL FOR TRAFFIC RAILING



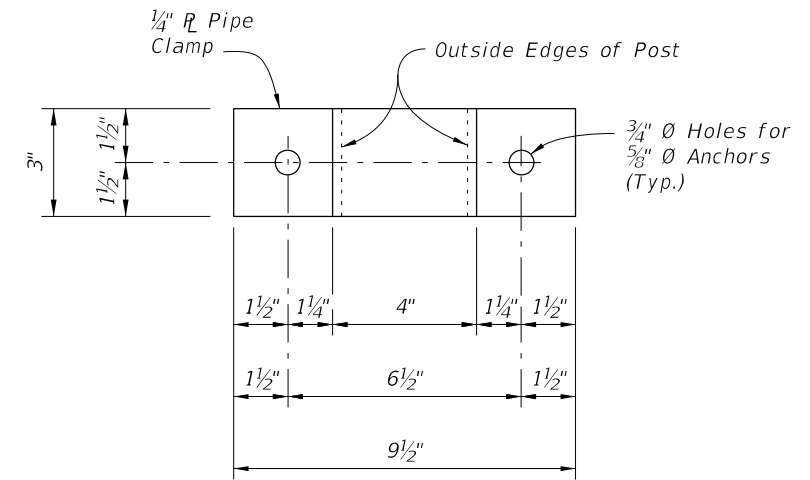
EXPANSION ASSEMBLY DETAIL

(Required only at expansion joint locations where total movement exceeds 6")

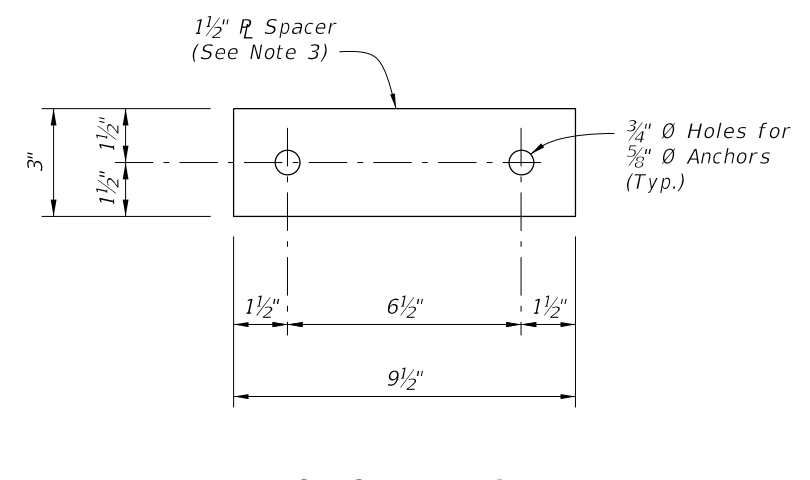
- NOTES:**
1. For treatment at bridge ends, see Sheet 1.
 2. Expansion Joint Opening is the width at the time of installation.
 3. Spacer thickness shown is for Single-Slope Traffic Railings. Adjust thickness as required for other Traffic Railings.



PIPE CLAMP CONNECTION DETAIL
(Connection without spacer shown, Connection with spacer similar)



PIPE CLAMP DETAIL

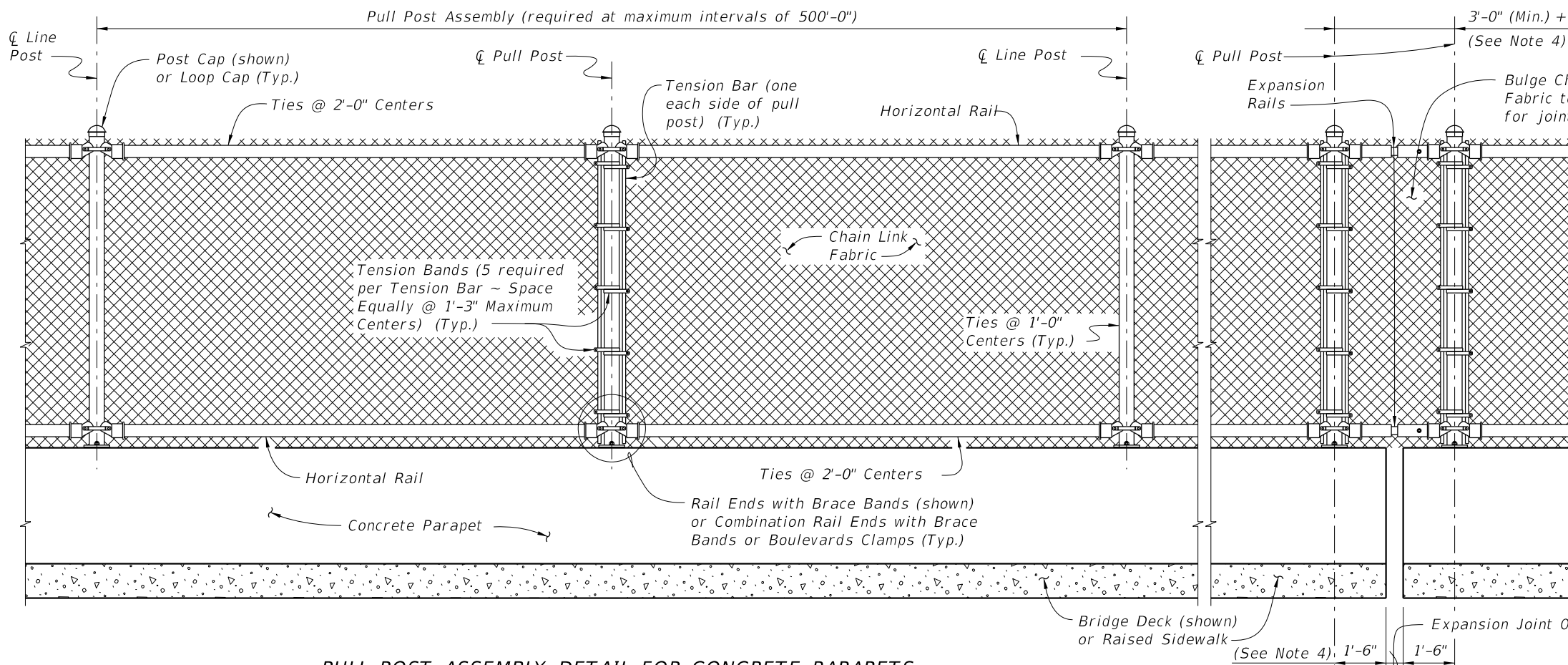


SPACER DETAIL

(Must be manufactured from an incompressible material (i.e., steel or aluminum))

10/01/2020 9:26:18 AM

LAST REVISION 11/01/17	REVISION	DESCRIPTION:	 FY 2021-22 STANDARD PLANS	BRIDGE FENCING (VERTICAL)	INDEX 550-010	SHEET 3 of 4
---------------------------	----------	--------------	--	---------------------------	------------------	-----------------

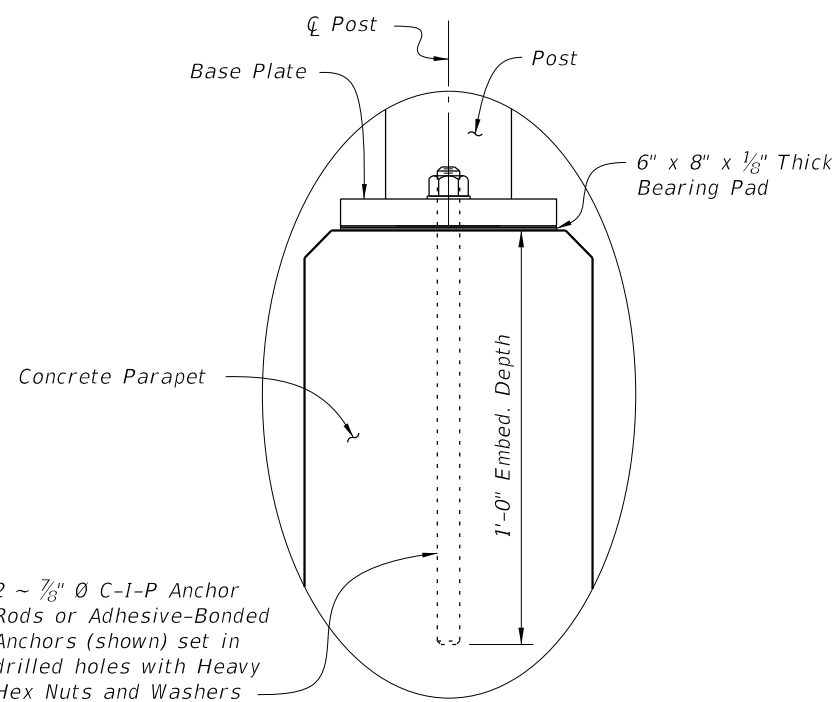


PULL POST ASSEMBLY DETAIL FOR CONCRETE PARAPETS

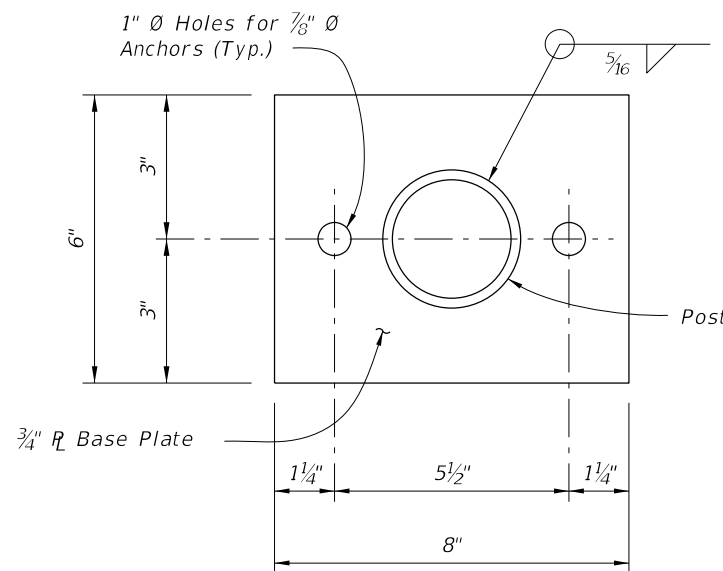
EXPANSION ASSEMBLY DETAIL

(Required only at expansion joint locations where total movement exceeds 6")

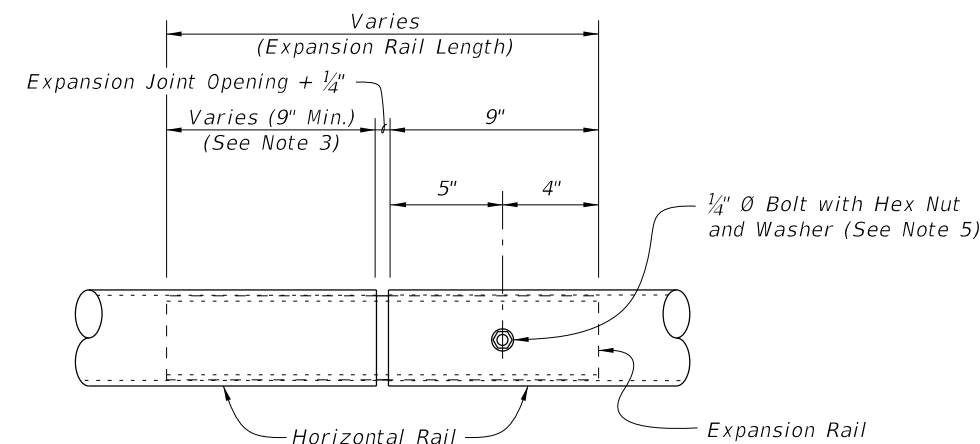
CROSS REFERENCE:
For location of Detail "B" see Sheet 1.



DETAIL "B"




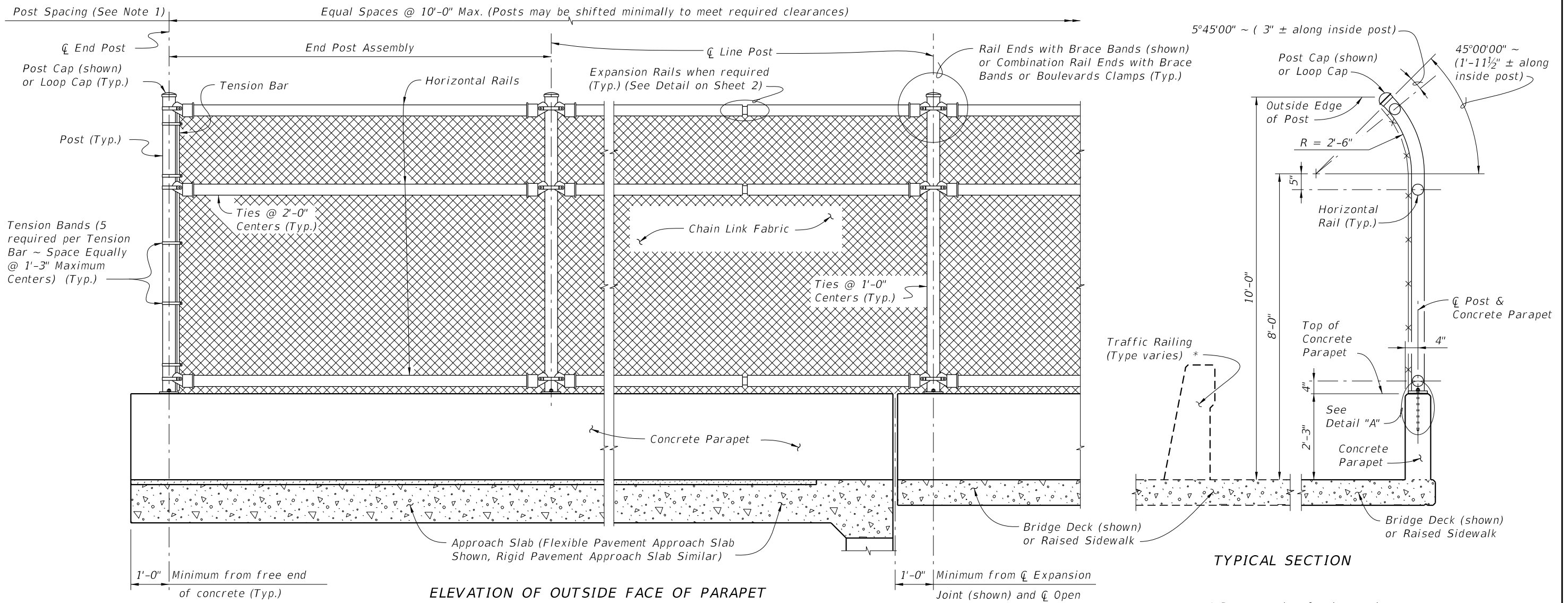
BASE PLATE DETAIL



EXPANSION RAIL DETAIL

10/8/2020 9:26:21 AM

LAST REVISION 11/01/17	REVISION	DESCRIPTION:	 FY 2021-22 STANDARD PLANS	BRIDGE FENCING (VERTICAL)	INDEX 550-010	SHEET 4 of 4
---------------------------	----------	--------------	--	---------------------------	------------------	-----------------



NOTES:
 1. A Pull Post Assembly is required at maximum intervals of 500'-0". See Sheet 2.

FENCING NOTES

FENCE APPLICATION:
 This bridge fence can only be used on sidewalk installations separated from traffic by a traffic railing.

FENCE INSTALLATION:
 Install posts plumb (within a tolerance of $\pm 1\frac{1}{2}$ "). Use shim plates as required to achieve plumb. The required quantity and thickness of shim plates will be determined in the field. Install chain link fence in accordance with ASTM F567 as applicable.


CONCRETE PARAPET DETAILS:
 See Index 521-820 - Pedestrian/Bicycle Bullet Railing for Concrete Parapet details. Provide fencing in lieu of aluminum bullet railing as shown on Index 521-820.

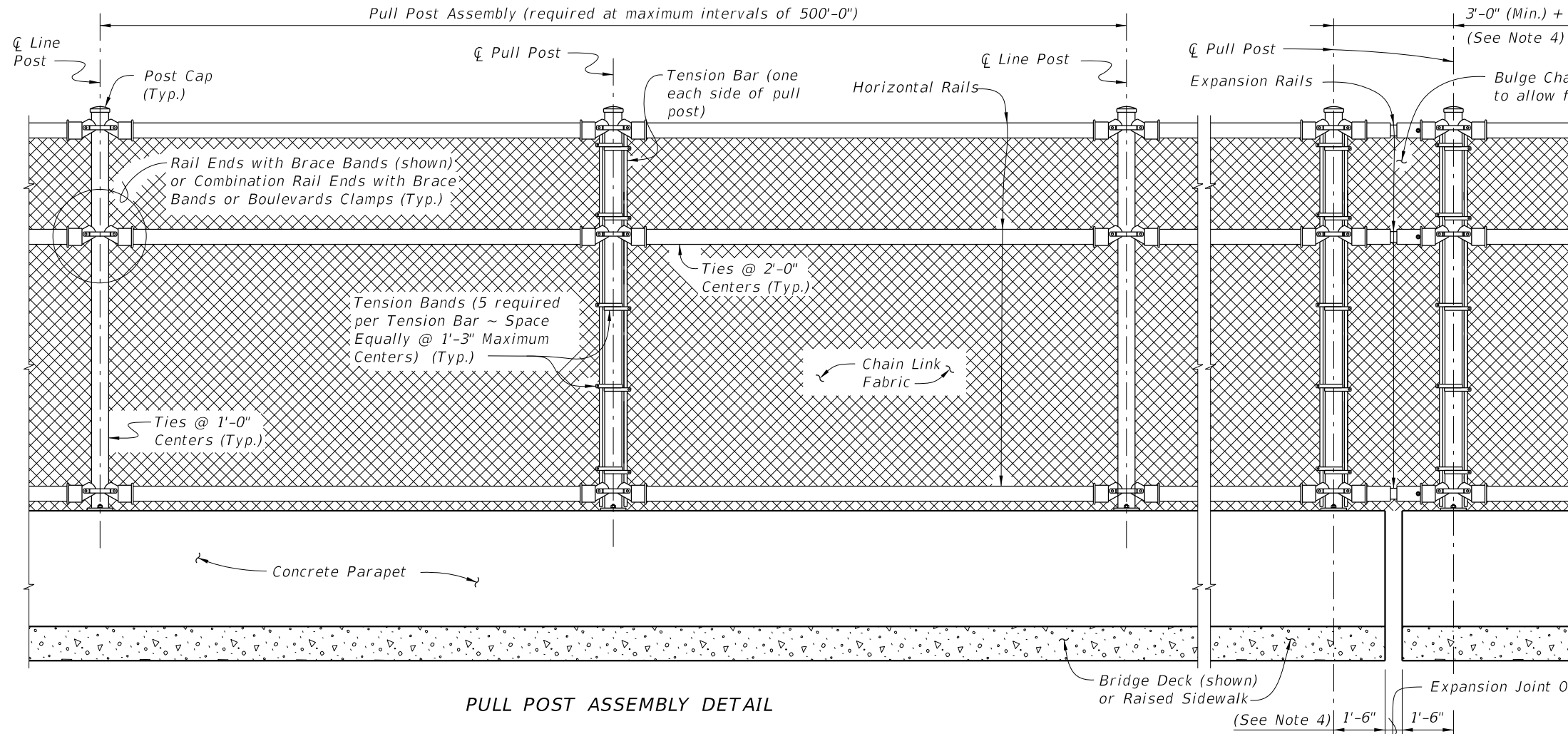
LIMITS OF FENCING:
 Limits of fencing are from begin of approach slab at Begin Bridge to end of approach slab at End Bridge, unless otherwise shown in the plans.

PAYMENT:
 Payment will be made under Fencing, Type R. Payment includes posts, horizontal and expansion rails, brace bands, rail ends, combination rail ends, boulevard clamps, chain link fabric, ties, tension bars and bands, post and loop caps, base plates, anchor rods, bolts, nuts, washers, shim plates, neoprene pads, miscellaneous fence fittings and hardware and all incidental materials and labor required to complete installation of the fence.

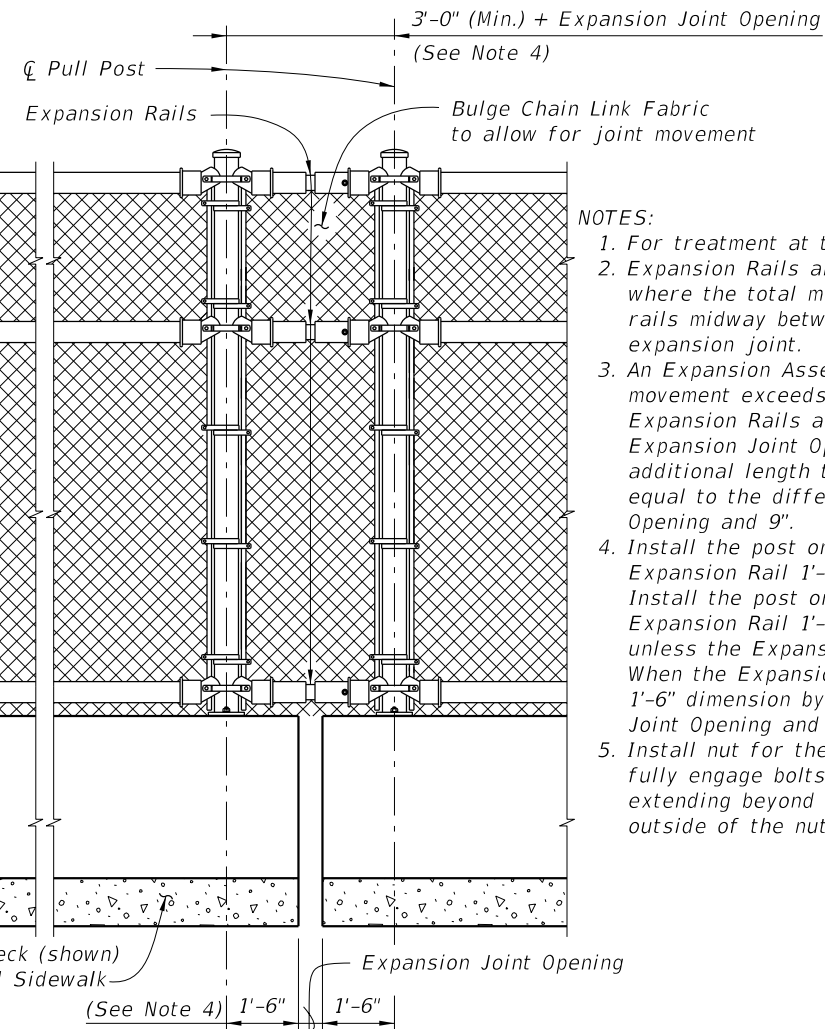
CROSS REFERENCE:
 For Table of Fence Components and Pull Post Assembly Detail see Sheet 2.
 For Table of Post Attachment Components and Detail "A" see Sheet 3.

10/01/2020 9:26:23 AM

LAST REVISION 11/01/17	DESCRIPTION:	 FY 2021-22 STANDARD PLANS	BRIDGE FENCING (CURVED TOP)	INDEX 550-011	SHEET 1 of 3
---------------------------	--------------	---	------------------------------------	-------------------------	------------------------



PULL POST ASSEMBLY DETAIL



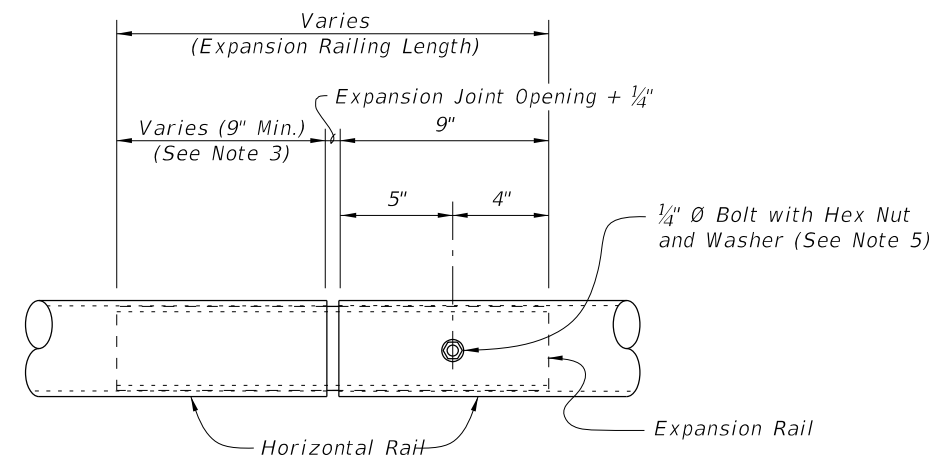
EXPANSION ASSEMBLY DETAIL

(Required only at expansion joint locations where total movement exceeds 6")

- NOTES:
1. For treatment at the bridge ends, see Sheet 1.
 2. Expansion Rails are required at expansion joint locations where the total movement exceeds 1". Install expansion rails midway between the fence posts spanning the expansion joint.
 3. An Expansion Assembly is required where the total joint movement exceeds 6". Expansion Assembly includes Expansion Rails and two pull posts (as shown). When the Expansion Joint Opening is greater than 9" add an additional length to the free end of the Expansion Rail equal to the difference between the Expansion Joint Opening and 9".
 4. Install the post on the fixed (bolted) side of the Expansion Rail 1'-6" from the edge of the expansion joint. Install the post on the slip (unbolted) side of the Expansion Rail 1'-6" from the edge of the expansion joint unless the Expansion Joint Opening exceeds 9". When the Expansion Joint Opening exceeds 9" increase the 1'-6" dimension by the difference between the Expansion Joint Opening and 9".
 5. Install nut for the expansion rail finger-tight. The nut will fully engage bolts with a minimum of one bolt thread extending beyond the nuts. Distort the first thread on the outside of the nut to prevent loosening.

TABLE OF CHAIN LINK FENCE COMPONENTS		
COMPONENT	ASTM DESIGNATION	COMPONENT INFORMATION
Posts	F1083	Galvanized Steel Pipe - 3 1/2" NPS, Schedule 40 Regular Grade
Horizontal Rails	F1083	Galvanized Steel Pipe - 3" NPS, Schedule 40 Regular Grade
Expansion Rails	F1083	Galvanized Steel Pipe - 2 1/2" NPS, Schedule 40 Regular Grade
Bolts	A307	1/4" Ø x 4 1/4" Hex Head Bolts for Expansion Rail Connections
Nuts	A563	Hex Nuts for Expansion Rail Connections
Washers	F436	Flat Washers for Expansion Rail Connections
Chain Link Fabric (2" mesh with twisted top and knuckled bottom selvage)	A392	Zinc Coated Steel - 9 gage (coated wire diameter), Class 2 Coating
	A491	Aluminum Coated Steel - 9 gage (coated wire diameter)
	F668	Polyvinyl Chloride (PVC) Coated Steel - 9 gage Zinc Coated Wire, Class 2b
Tie Wires	F626	Zinc Coated Steel Wire - 9 gage
Brace Bands	F626	12 Gage (Min. thickness) x 3/4" (Min. width) Steel Bands (Beveled or Heavy)
Tension Bars	F626	3/16" (Min. thickness) x 3/4" (Min. width) x Variable Height Steel Bars ~ Height = Post Length along inside Post - 2" Max.
Tension Bands	F626	14 Gage (Min. thickness) x 3/4" (width) Steel Bands
Miscellaneous Fence Components	F626	Zinc Coated Steel ~ (includes post or loop caps, horizontal and brace rail ends, combination rail ends, boulevard clamps and all other miscellaneous fittings and hardware)

LEGEND: NPS = Nominal Pipe Size



EXPANSION RAIL DETAIL

10/01/2020 9:26:27 AM

TABLE OF POST ATTACHMENT COMPONENTS		
COMPONENT	ASTM DESIGNATION	COMPONENT INFORMATION
Base Plates	A36 or A709 Grade 36	$\frac{3}{4}$ " Steel R
Shim Plates	A36 or A709 Grade 36 or B209 Alloy 6061-T6 or B221 Alloy 6063-T5	Plate thicknesses as required, Holes in shim plates will be $\frac{3}{4}$ " \emptyset
Adhesive Anchor Rods	F1554 Grade 36	Fully threaded Headless Anchor Rods $\sim \frac{7}{8}$ " \emptyset x $14\frac{1}{2}$ "
C-I-P Anchor Rods	F1554 Grade 36	Hex Head Anchor Rods $\sim \frac{7}{8}$ " \emptyset x $14\frac{1}{2}$ "
Nuts	A563	Hex Nuts for Base Plate Connections
Washers	F436	Flat Washers for Base Plate Connections
Bearing Pads (Plain)	-	In accordance with Specification Section 932 for ancillary structures

POST ATTACHMENT NOTES

ANCHOR RODS, NUTS AND WASHERS:

After the nuts have been tightened, distort the Anchor Rod threads to prevent removal of the nuts. Coat distorted threads and exposed trimmed ends of anchors with a galvanizing compound in accordance with Specification Section 562.

COATINGS:

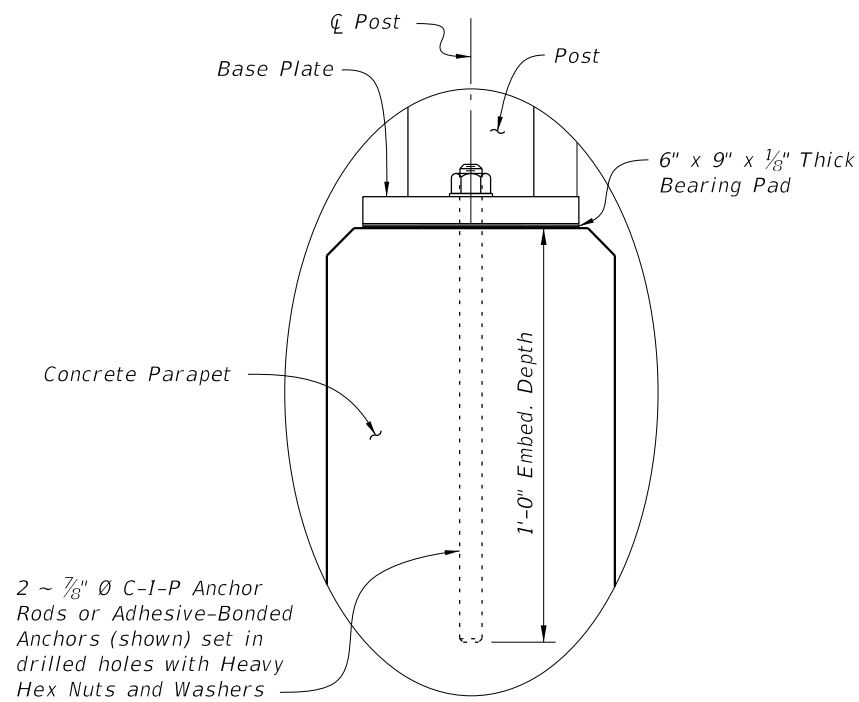
Hot-dip galvanize all Nuts, Washers, Bolts, C-I-P Anchor Rods, Adhesive Anchors and Fence Framework (Posts, Internal Sleeves, Shim Plates and Base Plates) in accordance with Specification Section 962. Hot-dip galvanize Fence Framework after fabrication.

ADHESIVE-BONDED ANCHORS AND DOWELS:

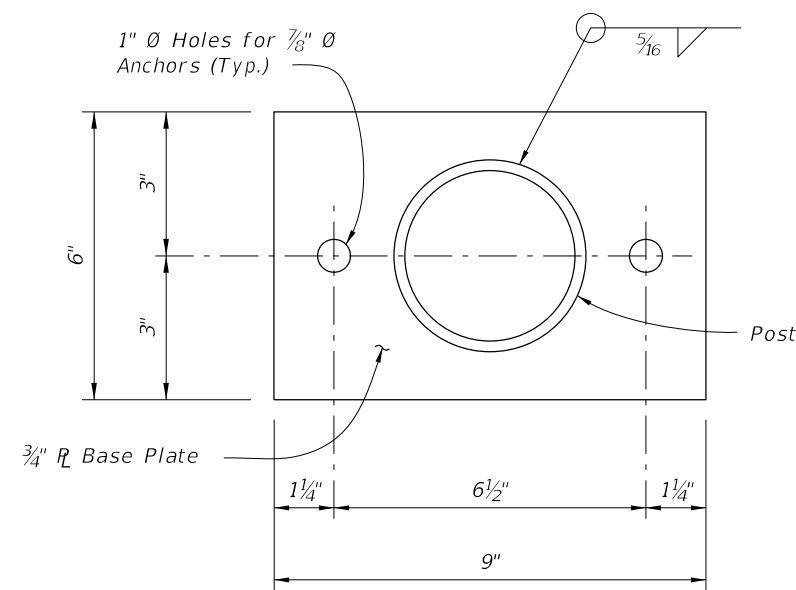
Adhesive Bonding Material Systems for Anchors and Dowels will comply with Specification Section 937 and be installed in accordance with Specification Section 416. Cutting of reinforcing steel is permitted for drilled hole installation.

WELDING:

All welding will be in accordance with the American Welding Society Structural Welding Code (Steel) ANSI/AWS D1.1 (current edition). Weld metal will be E60XX or E70XX. Nondestructive testing of welds is not required.



DETAIL "A"




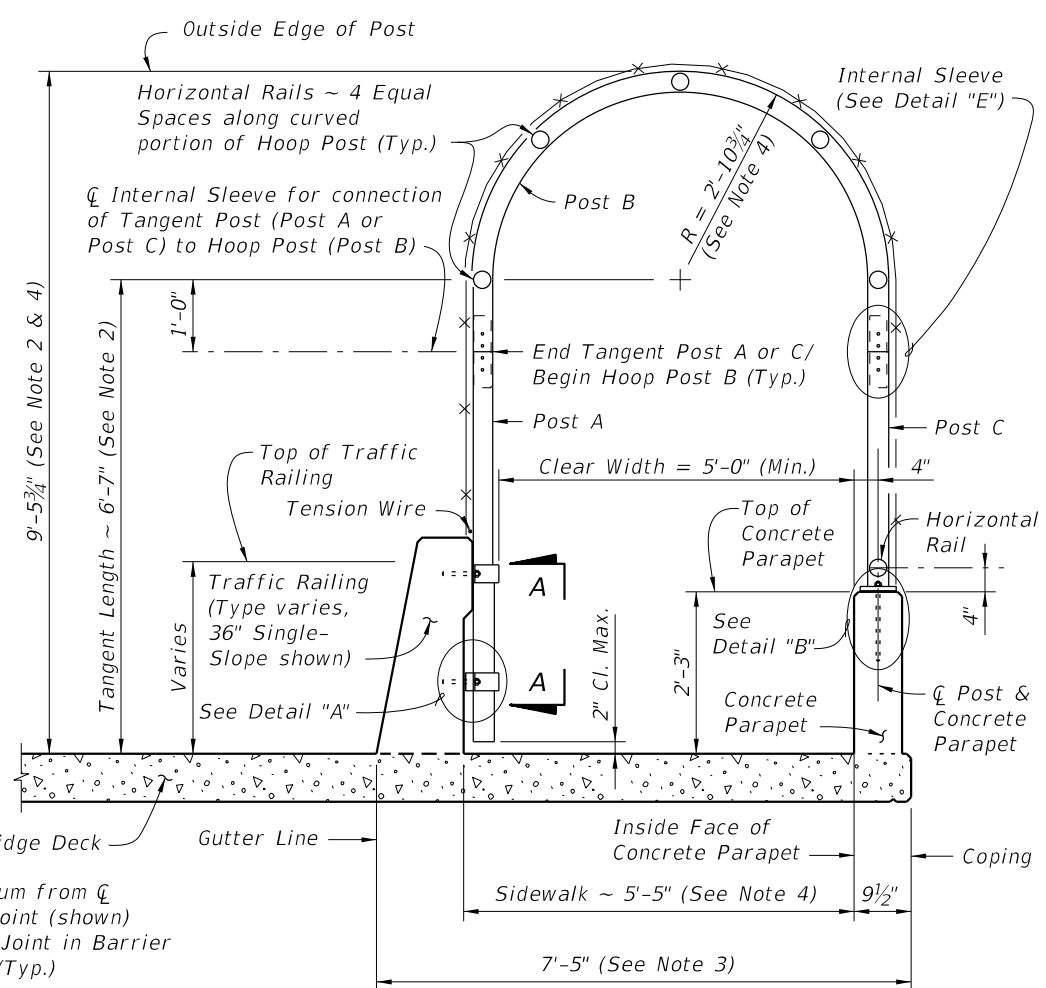
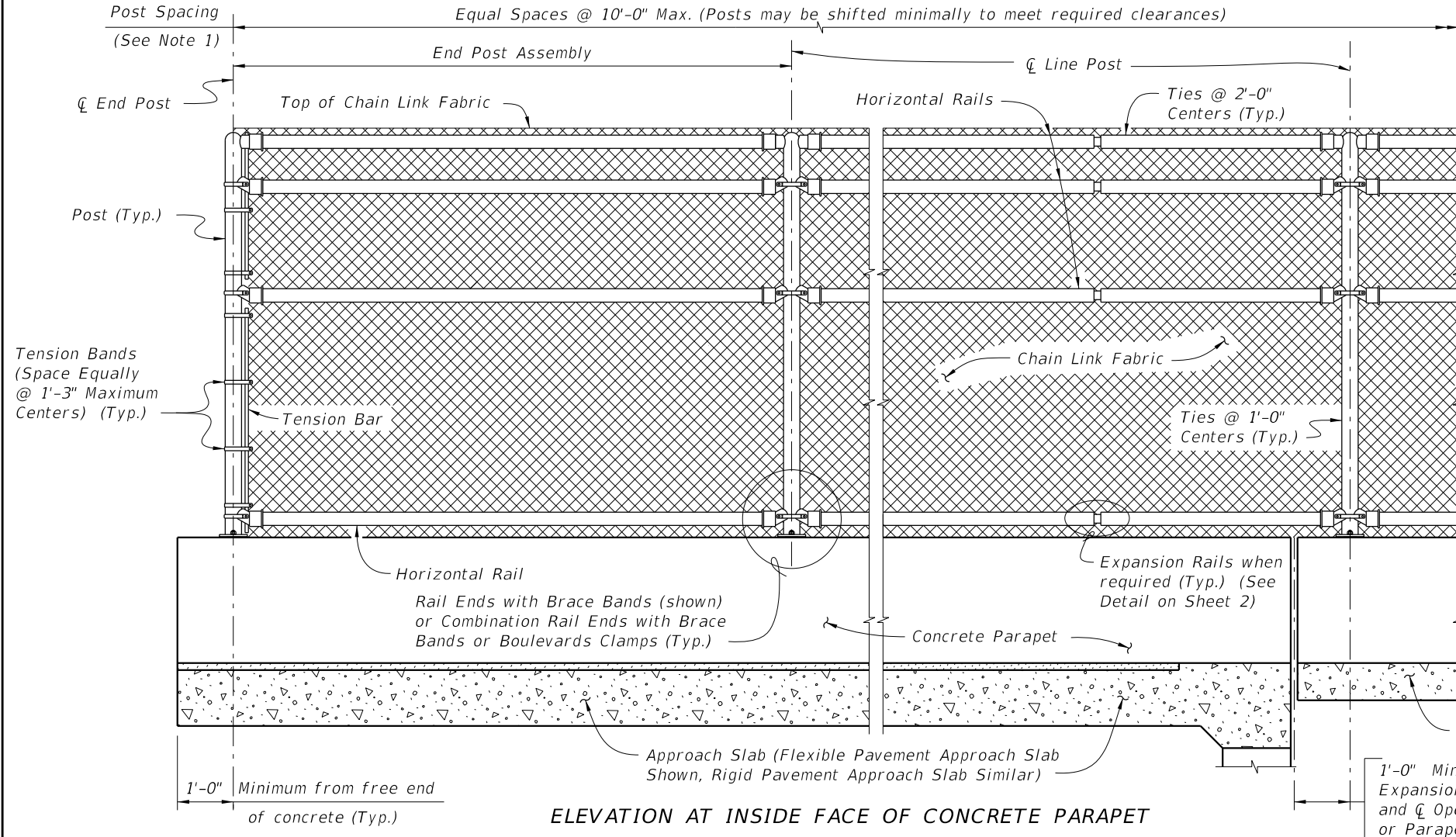
BASE PLATE DETAIL

CROSS REFERENCE:

For location of Detail "A" see Sheet 1.

10/01/2020 9:26:29 AM

LAST REVISION 11/01/17	REVISION	DESCRIPTION:	 FY 2021-22 STANDARD PLANS	BRIDGE FENCING (CURVED TOP)	INDEX 550-011	SHEET 3 of 3
---------------------------	----------	--------------	---	-----------------------------	------------------	-----------------



- NOTES:
1. A Pull Post Assembly is required at maximum intervals of 500'-0". See Sheet 3.
 2. Dimension is measured along Inside Face of Concrete Parapet.
 3. Dimension shown is for 36" Single-Slope Traffic Railings as shown in Index 521-427. Adjust as required for other Traffic Railing Barriers and sidewalk widths.
 4. For sidewalk clear widths greater than 5'-0", increase the radius and height of the curved portion of the Hoop Post at the rate of 6" for every one foot increase in sidewalk width.

FENCING NOTES

FENCE INSTALLATION:
 Install posts plumb (within a tolerance of $\pm 1/2"$). Use shim plates as required to achieve plumb. The required quantity and thickness of shim plates will be determined in the field. Install chain link fence in accordance with ASTM F567 as applicable.

TRAFFIC RAILING DETAILS:
 See Superstructure Sheets for Traffic Railing details.

CONCRETE PARAPET DETAILS:
 See Index 521-820 - Pedestrian/Bicycle Railing for Concrete Parapet details. Provide fencing in lieu of aluminum bullet railing as shown on Index 521-820.

LIMITS OF FENCING:
 Limits of fencing are from begin of approach slab at Begin Bridge to end of approach slab at End Bridge, unless otherwise shown in the plans.

PAYMENT:
 Payment will be made under Fencing, Type R. Payment includes posts, horizontal and expansion rails, brace bands, rail ends, combination rail ends, boulevard clamps, chain link fabric, tension wire, ties, hog rings, tension bars and bands, pipe clamps, base plates, anchor rods, bolts, nuts, washers, shim plates, spacers, neoprene pads, miscellaneous fence fittings and hardware and all incidental materials and labor required to complete installation of the fence.

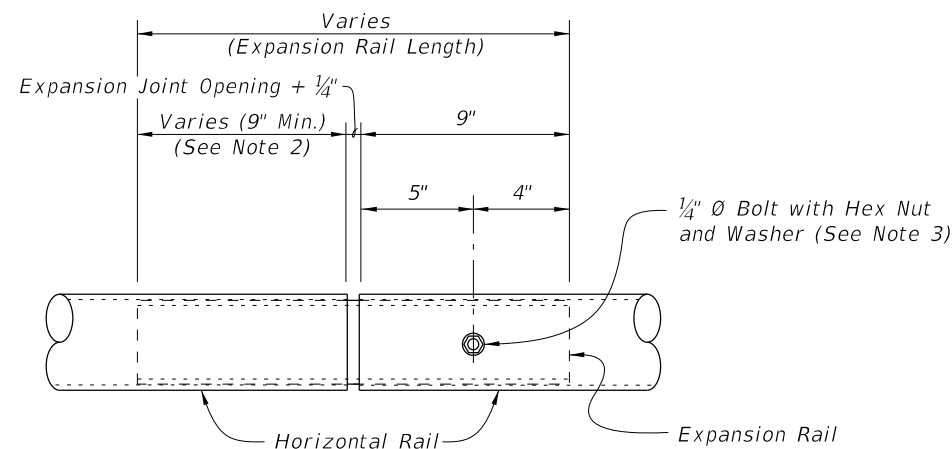
CROSS REFERENCE:
 For Table of Fence Components and Table of Post Attachment Components see Sheet 2.
 For Pull Post Assembly Detail, View A-A and Detail "A" see Sheet 3.
 For Detail "B" and "E" see Sheet 4.

10/8/2020 9:26:31 AM

LAST REVISION 11/01/17	REVISION	DESCRIPTION:	 FY 2021-22 STANDARD PLANS	BRIDGE FENCING (ENCLOSED)	INDEX 550-012	SHEET 1 of 4
---------------------------	----------	--------------	--	----------------------------------	------------------	-----------------

TABLE OF CHAIN LINK FENCE COMPONENTS

COMPONENT	ASTM DESIGNATION	COMPONENT INFORMATION
Posts	F1083	Galvanized Steel Pipe - 3" NPS, Schedule 40 Regular Grade
Horizontal Rails and Internal Sleeves	F1083	Galvanized Steel Pipe - 2½" NPS, Schedule 40 Regular Grade
Expansion Rails	F1083	Galvanized Steel Pipe - 2" NPS, Schedule 40 Regular Grade
Chain Link Fabric (2" mesh with knuckled bottom selvages)	A392	Zinc Coated Steel - 9 gage (coated wire diameter), Class 2 Coating
	A491	Aluminum Coated Steel - 9 gage (coated wire diameter)
	F668	Polyvinyl Chloride (PVC) Coated Steel - 9 gage Class 2b Zinc Coated Wire
Tension Wire	A824 & A817	Type II (Zinc Coated Steel Wire) - 7 gage, Class 4 Coating
		Type I (Aluminum Coated Steel Wire) - 7 gage
Tie Wires	F626	Zinc Coated Steel Wire - 9 gage
Hog Rings	F626	Zinc Coated Steel Wire - 12 gage
Brace Bands	F626	12 gage (Min. thickness) x ¾" (Min. width) Steel Bands (Beveled or Heavy)
Tension Bars	F626	¾" (Min. thickness) x ¾" (Min. width) x Variable Height Steel Bars ~ Height = Tangent or Hoop Length - Barrier or Parapet Height - 2" max.
Tension Bands	F626	14 gage (Min. thickness) x ¾" (Min. width) Steel Bands
Miscellaneous Fence Components	F626	Zinc Coated Steel ~ (includes horizontal rail ends, combination rail ends, boulevard clamps and all other miscellaneous fittings and hardware)
Bolts	A307	¾" Ø x 4¼" Hex Head Bolts for Internal Sleeve connections ¼" Ø x 4¼" Hex Head Bolts for Expansion Rail connections
Nuts	A563	Hex Nuts for Internal Sleeve and Expansion Rail connections
Washers	F436	Flat Washers for Internal Sleeve and Expansion Rail connections



EXPANSION RAIL DETAIL

NOTES:

- Expansion Rails are required at expansion joint locations where the total movement exceeds 1". Install expansion rails midway between the fence posts spanning the expansion joint.
- An Expansion Assembly is required where the total joint movement exceeds 6". Expansion Assembly includes Expansion Rails and two pull posts (see Sheet 3). When the Expansion Joint Opening is greater than 9" add an additional length to the free end of the Expansion Rail equal to the difference between the Expansion Joint Opening and 9".
- Install nut for the expansion rail finger-tight. The nut will fully engage bolts with a minimum of one bolt thread extending beyond the nuts. Distort the first thread on the outside of the nut to prevent loosening.

TABLE OF POST ATTACHMENT COMPONENTS

COMPONENT	ASTM DESIGNATION	COMPONENT INFORMATION
Pipe Clamps	A36 or A709 Grade 36	¼" Steel \bar{r}
Base Plates	A36 or A709 Grade 36	¾" Steel \bar{r}
Shim Plates	A36 or A709 Grade 36 or B209 Alloy 6061-T6 or B221 Alloy 6063-T5	Plate thicknesses as required; Holes in shim plates will be ¾" Ø
Spacers	-	Plate thickness varies based on Traffic Railing type. (See Detail "A")
Pipe Clamp Connection	Adhesive Anchor Rods	F1554 Grade 36 Fully threaded Headless Anchor Rods ~ ⅝" Ø x 6" (no spacer) or ⅝" Ø x (6" + spacer thickness)
	C-I-P Anchor Rods	F1554 Grade 36 Hex Head Anchor Rods ~ ⅝" Ø x 6" (no spacer) or ⅝" Ø x (6" + spacer thickness)
Base Plate Connection	Adhesive Anchor Rods	F1554 Grade 36 Fully threaded Headless Anchor Rods ~ ⅞" Ø x 14½"
	C-I-P Anchor Rods	F1554 Grade 36 Hex Head Anchor Rods ~ ⅞" Ø x 14½"
Bolts	A307	¾" Ø x 4¾" Hex Head Bolts for Pipe Clamp Connections to Posts
Nuts	A563	Hex Nuts for Pipe Clamp and Base Plate Connections
Washers	F436	Flat Washers for Pipe Clamp and Base Plate Connections
Bearing Pads (Plain)	-	In accordance with Specification Section 932 for Ancillary Structures

POST ATTACHMENT NOTES

ANCHOR RODS, NUTS AND WASHERS:

After the nuts have been tightened, distort the Anchor Rod threads to prevent removal of the nuts. Coat distorted threads and exposed trimmed ends of anchors with a galvanizing compound in accordance with Specification Section 562.

COATINGS:

Hot-dip galvanize all Nuts, Washers, Bolts, C-I-P Anchor Rods, Adhesive Anchors and Fence Framework (Posts, Internal Sleeves, Shim Plates, Base Plates, Pipe Clamps and Spacers) in accordance with Specification Section 962. Hot-dip galvanize Fence Framework after fabrication.

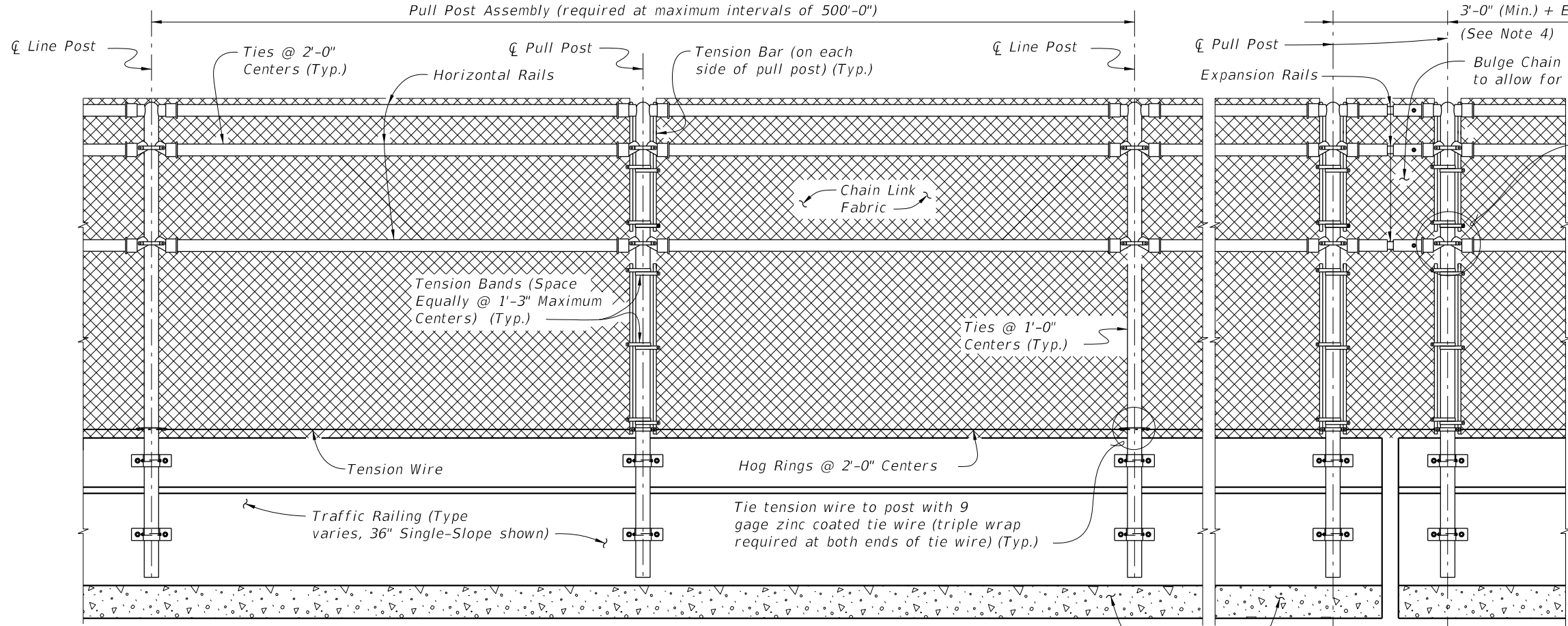
ADHESIVE-BONDED ANCHORS AND DOWELS:

Adhesive Bonding Material Systems for Anchors and Dowels will comply with Specification Section 937 and be installed in accordance with Specification Section 416. Cutting of reinforcing steel is permitted for drilled hole installation.

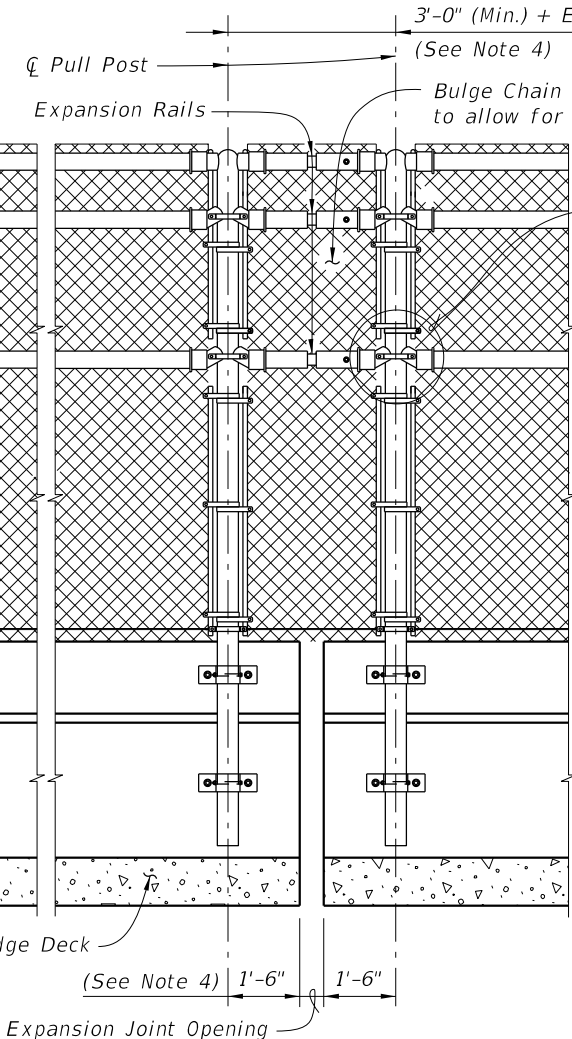
WELDING:

All welding will be in accordance with the American Welding Society Structural Welding Code (Steel) ANSI/AWS D1.1 (current edition). Weld metal will be E60XX or E70XX. Nondestructive testing of welds is not required.

10/8/2020 9:26:33 AM

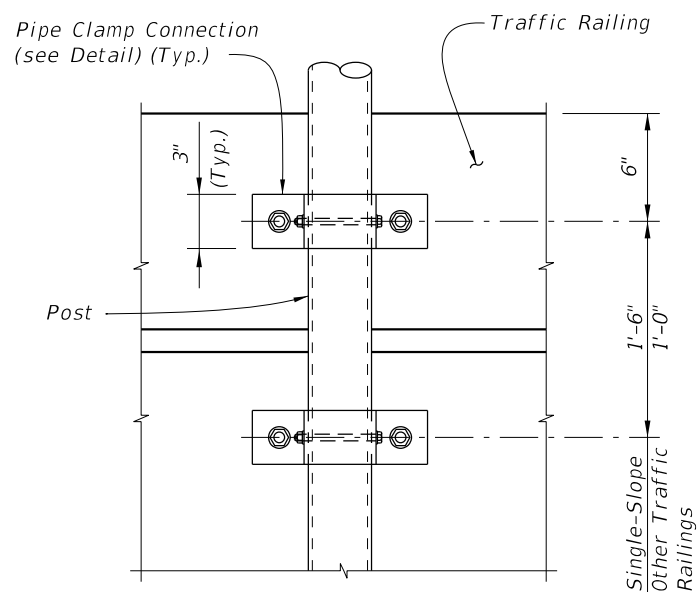


PULL POST ASSEMBLY DETAIL
(Traffic Railing Barrier Shown, Concrete Parapet Similar)

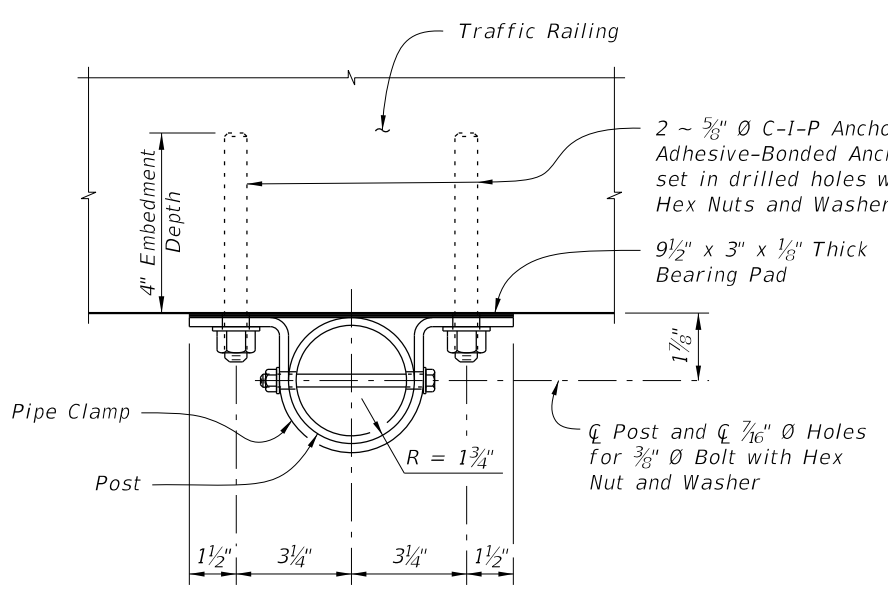


EXPANSION ASSEMBLY DETAIL
(Required only at expansion joint locations where total movement exceeds 6")

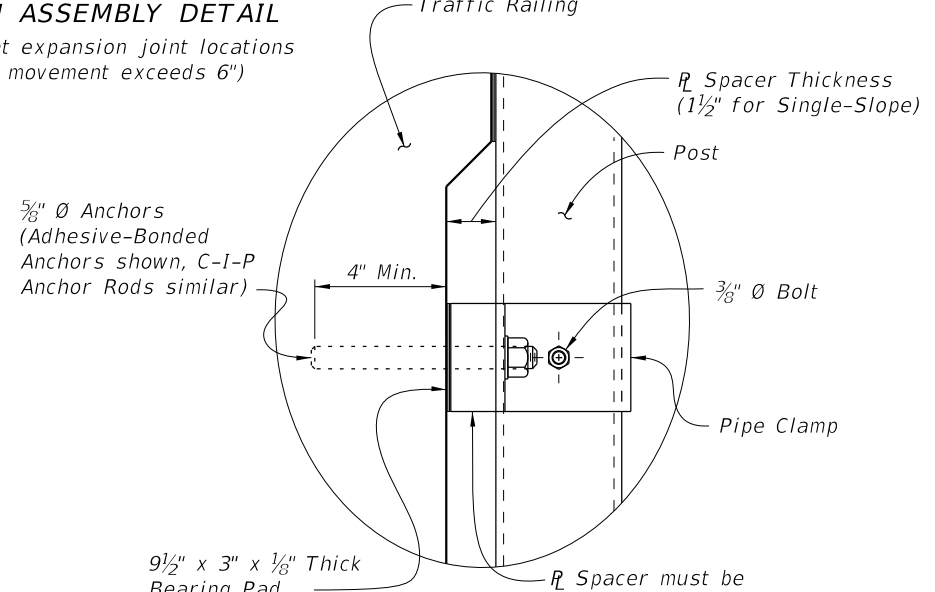
- NOTES:**
1. For treatment at the bridge ends, see Sheet 1.
 2. Expansion Rails are required at expansion joint locations where the total movement exceeds 1". See Sheet 2 for Expansion Rail Detail and notes.
 3. An Expansion Assembly is required where the total joint movement exceeds 6". Expansion Assembly includes Expansion Rails and two pull posts (as shown). When the Expansion Joint Opening is greater than 9" add an additional length to the free end of the Expansion Rail equal to the difference between the Expansion Joint Opening and 9".
 4. Install the post on the fixed (bolted) side of the Expansion Rail 1'-6" from the edge of the expansion joint. Install the post on the slip (unbolted) side of the Expansion Rail 1'-6" from the edge of the expansion joint unless the Expansion Joint Opening is greater than 9". When the Expansion Joint Opening exceeds 9" increase the 1'-6" dimension by the difference between the Expansion Joint Opening and 9".



VIEW A-A



PIPE CLAMP CONNECTION DETAIL
(Connection without spacer shown, Connection with spacer similar)

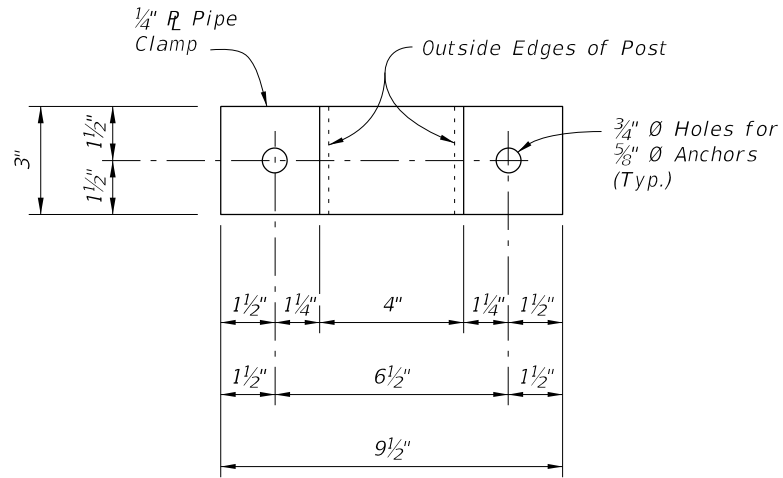


DETAIL "A"

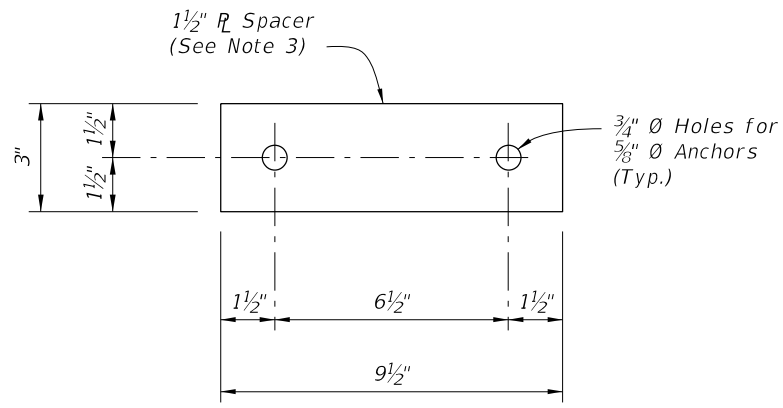
CROSS REFERENCE:
For location of View A-A and Detail "A" see Sheet 1.

10/8/2020 9:26:35 AM

LAST REVISION 11/01/17	REVISION	DESCRIPTION:	 FY 2021-22 STANDARD PLANS	BRIDGE FENCING (ENCLOSED)	INDEX 550-012	SHEET 3 of 4
---------------------------	----------	--------------	--	---------------------------	------------------	-----------------

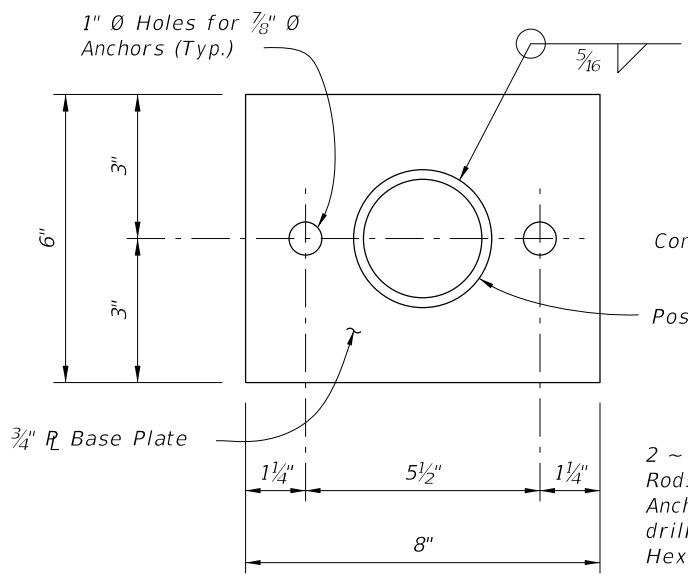


PIPE CLAMP DETAIL

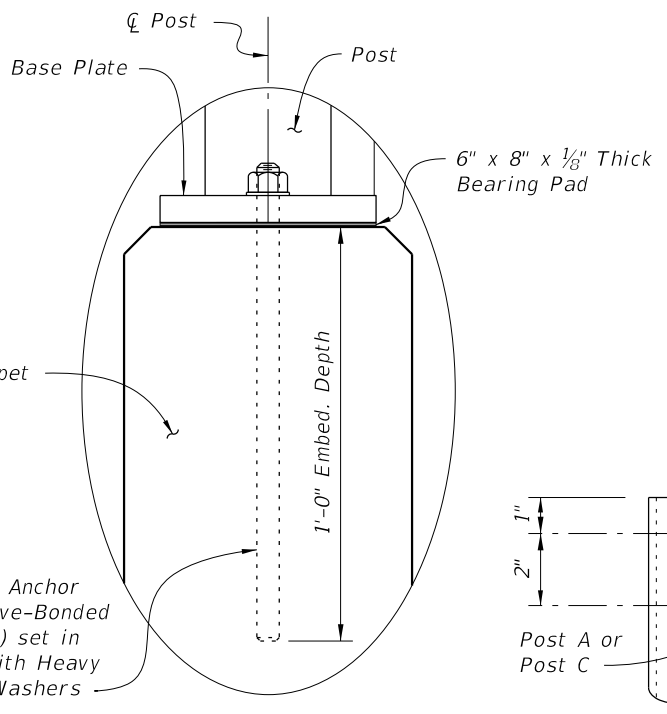


SPACER DETAIL

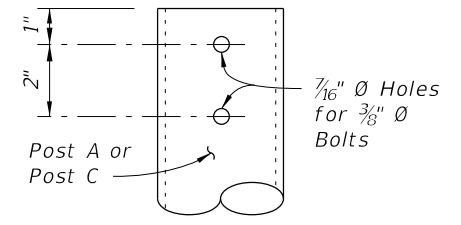
(Must be manufactured from an incompressible material (i.e. steel or aluminum))



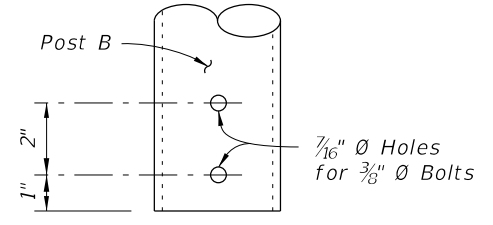
BASE PLATE DETAIL



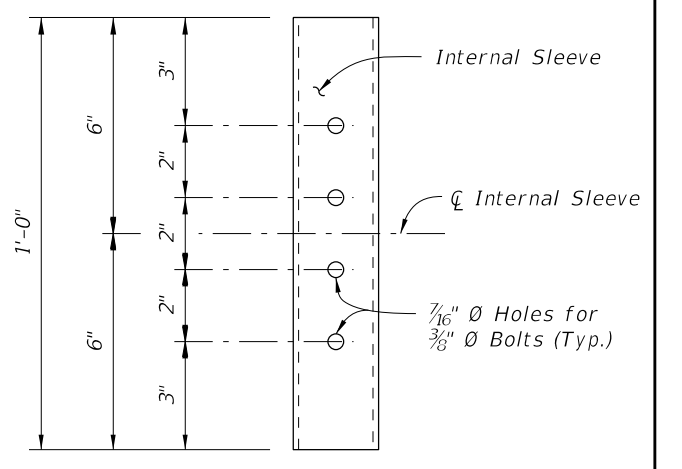
DETAIL "B"



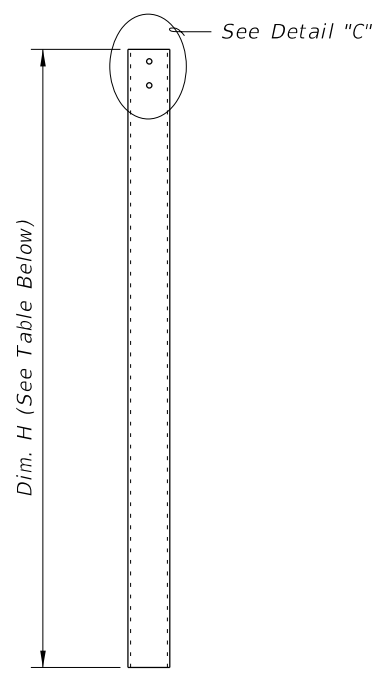
DETAIL "C"



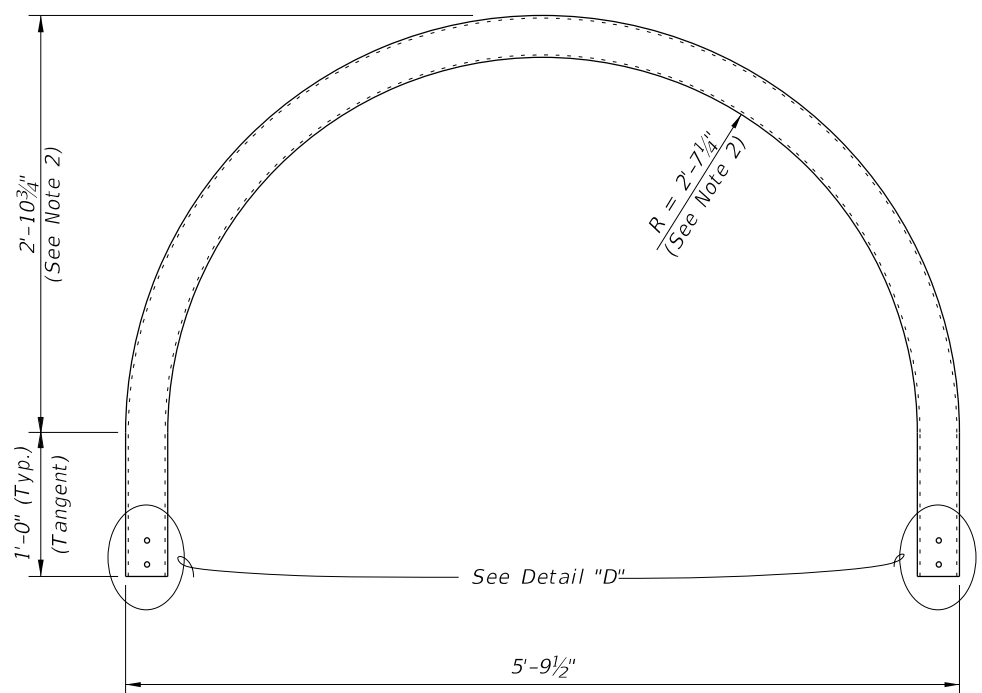
DETAIL "D"



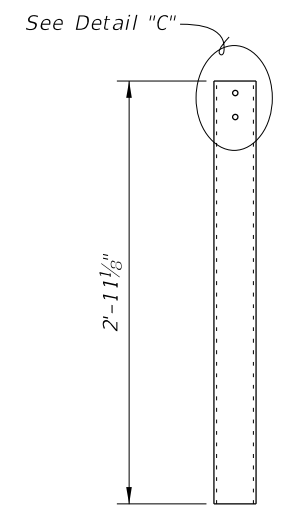
DETAIL "E"
(INTERNAL SLEEVE DETAIL)



POST A DETAIL



POST B DETAIL



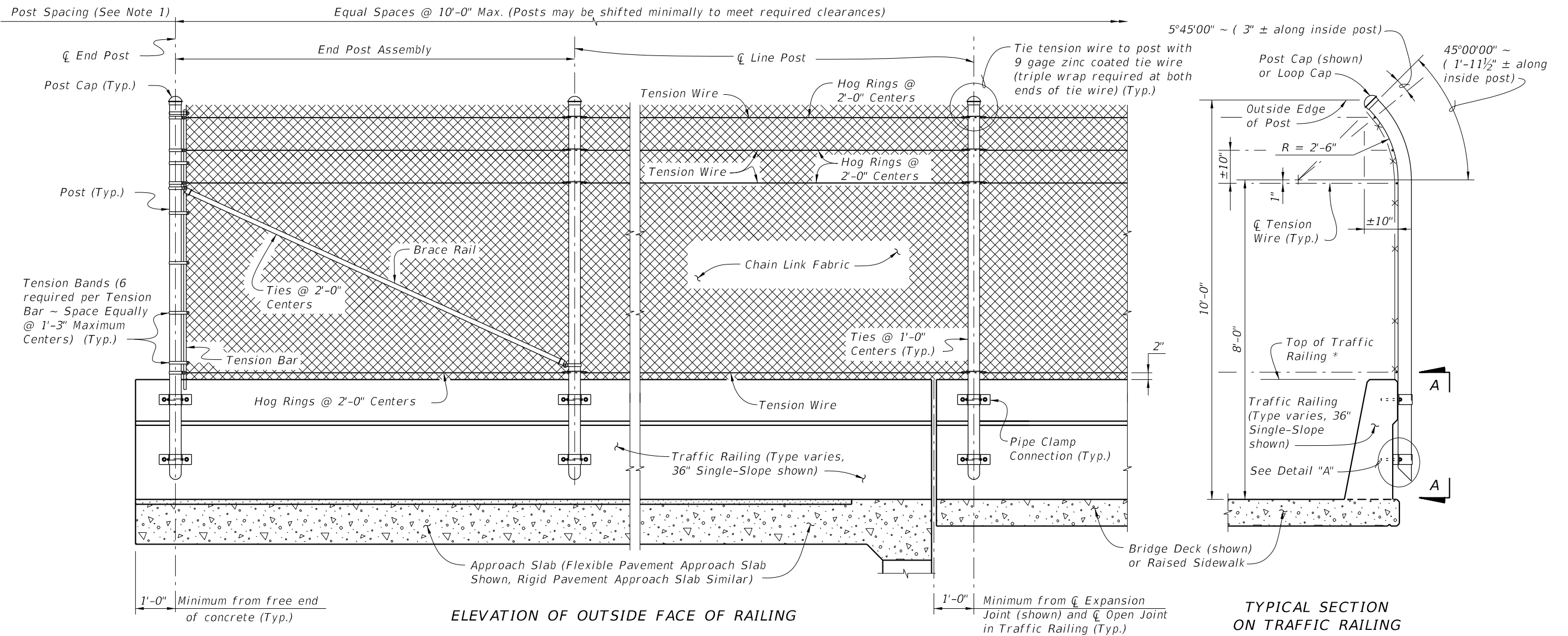
POST C DETAIL

SIDEWALK CROSS-SLOPE	DIM. H (See Note 1)
2% Left	5'-6 1/4"
2% Right	5'-3 3/4"

- NOTES:
- Values shown for Dim. H are for a 5'-0" clear sidewalk width. Adjust as required for clear sidewalk widths greater than 5'-0".
 - For clear sidewalk widths greater than 5'-0" increase radius and height by 6" for every one foot increase in sidewalk width.
 - Spacer plate thickness shown is for Single-Slope Traffic Railings. Adjust thickness as required for other Traffic Railings.

CROSS REFERENCE:
For location of Details "B" and "E" see Sheet 1.

10/8/2020 9:26:37 AM



NOTES:
 1. A Pull Post Assembly is required at maximum intervals of 500'-0". See Sheet 3.

* Do not anchor Fencing to the top of Traffic Railings.

FENCING NOTES

FENCE INSTALLATION:
 Install posts plumb (within a tolerance of ± 1½"). Use shim plates as required to achieve plumb. The required quantity and thickness of shim plates will be determined in the field. Install chain link fence in accordance with ASTM F567 as applicable.

TRAFFIC RAILING DETAILS:
 See Superstructure Sheets for Traffic Railing details.

LIMITS OF FENCING:
 Limits of fencing are from begin of approach slab at Begin Bridge to end of approach slab at End Bridge, unless otherwise shown in the plans.

PAYMENT:
 Payment will be made under Fencing, Type R. Payment includes all materials and labor required to complete installation of the fence.

CROSS REFERENCE:
 For Table of Fence Components, Table of Post Attachment Components, View A-A and Detail "A" see Sheet 2.
 For Pull Post Assembly Detail for Traffic Railing see Sheet 3.

10/8/2020 9:26:41 AM


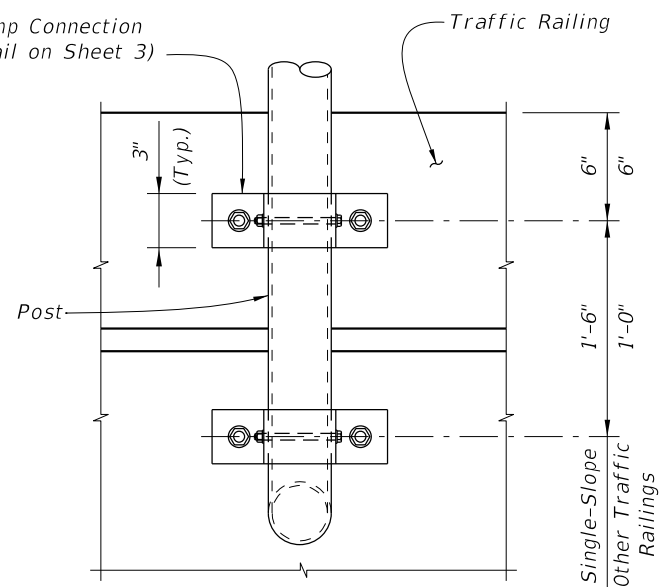
LAST REVISION 11/01/17	DESCRIPTION:	 FY 2021-22 STANDARD PLANS	BRIDGE FENCING (OVER RAILROAD)	INDEX 550-013	SHEET 1 of 3
---------------------------	--------------	---	---------------------------------------	-------------------------	------------------------

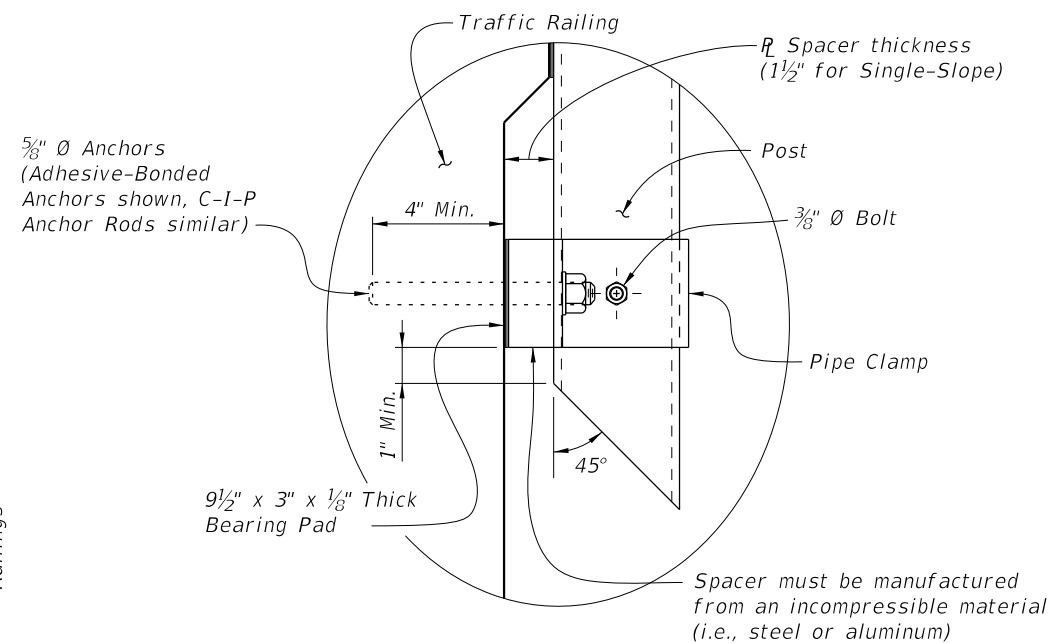
TABLE OF CHAIN LINK FENCE COMPONENTS		
COMPONENT	ASTM DESIGNATION	COMPONENT INFORMATION
Posts	F1083	Galvanized Steel Pipe - 3 1/2" NPS, Schedule 40 Regular Grade
Chain Link Fabric (2" mesh with twisted top and knuckled bottom selvage)	A392	Zinc Coated Steel - 9 gage (coated wire diameter), Class 2 Coating
	A491	Aluminum Coated Steel - 9 gage (coated wire diameter)
	F668	Polyvinyl Chloride (PVC) Coated Steel - 9 gage Class 2b
Tie Wires	F626	Zinc Coated Steel Wire - 9 gage
Brace Bands	F626	12 Gage (Min. thickness) x 3/4" (Min. width) Steel Bands (Beveled or Heavy)
Tension Bars	F626	3/16" (Min. thickness) x 3/4" (Min. width) x 6'-10" (Min. height) Steel Bars
Tension Bands	F626	14 Gage (Min. thickness) x 3/4" (Min. width) Steel Bands
Miscellaneous Fence Components	F626	Zinc Coated Steel ~ (includes post or loop caps, horizontal and brace rail ends, combination rail ends, boulevard clamps and all other miscellaneous fittings & hardware)
Tension Wire	A824 & A817	Type II (Zinc Coated Steel Wire) - 7 gage, Class 4 Coating
		Type I (Aluminum Coated Steel Wire) - 7 gage
Hog Rings	F626	Zinc Coated Steel Wire - 12 gage
Brace Rails	F1083	Galvanized Steel Pipe - 1 1/4" NPS, Schedule 40 Regular Grade

TABLE OF POST ATTACHMENT COMPONENTS		
COMPONENT	ASTM DESIGNATION	COMPONENT INFORMATION
Pipe Clamps	A36 or A709 Grade 36	1/4" Steel R
Base Plates	A36 or A709 Grade 36	3/4" Steel R
Shim Plates	A36 or A709 Grade 36 or B209 Alloy 6061-T6 or B221 Alloy 6063-T5	Plate thicknesses as required; Holes in shim plates will be 3/4" Ø
Spacers	-	Plate thickness varies based on traffic railing type (See Detail "A")
Pipe Clamp Connection	Adhesive Anchor Rods	F1554 Grade 36 Fully threaded Headless Anchor Rods ~ 5/8" Ø x 6" (no spacer) or 5/8" Ø x (6" + spacer thickness)
	C-I-P Anchor Rods	F1554 Grade 36 Hex Head Anchor Rods ~ 5/8" Ø x 6" (no spacer) or 5/8" Ø x (6" + spacer thickness)
Bolts	A307	3/8" Ø x 4 3/4" Hex Head Bolts for Pipe Clamp Connections to Posts
Nuts	A563	Hex Nuts for Pipe Clamp Connections
Washers	F436	Flat Washers for Pipe Clamp Connections
Bearing Pads (Plain Neoprene)	-	In accordance with Specification Section 932 for Ancillary Structures

Pipe Clamp Connection (see Detail on Sheet 3) (Typ.)



VIEW A-A



DETAIL "A"

POST ATTACHMENT NOTES

ANCHOR RODS, NUTS AND WASHERS:

After the nuts have been tightened, distort the Anchor Rod threads to prevent removal of the nuts. Coat distorted threads and exposed trimmed ends of anchors with a galvanizing compound in accordance with Specification Section 562.

COATINGS:

Hot-dip galvanize all Nuts, Washers, Bolts, C-I-P Anchor Rods, Adhesive Anchors and Fence Framework (Posts, Internal Sleeves, Shim Plates, Base Plates, Pipe Clamps and Spacers) in accordance with Specification Section 962. Hot-dip galvanize Fence Framework after fabrication.

ADHESIVE-BONDED ANCHORS AND DOWELS:

Adhesive Bonding Material Systems for Anchors and Dowels will comply with Specification Section 937 and be installed in accordance with Specification Section 416. Cutting of reinforcing steel is permitted for drilled hole installation.

WELDING:

All welding will be in accordance with the American Welding Society Structural Welding Code (Steel) ANSI/AWS D1.1 (current edition). Weld metal will be E60XX or E70XX. Nondestructive testing of welds is not required.

CROSS REFERENCE:

For location of View A-A and Detail "A" see Sheet 1.

10/01/2020 9:26:43 AM

LAST REVISION 11/01/20	DESCRIPTION:
---------------------------	--------------

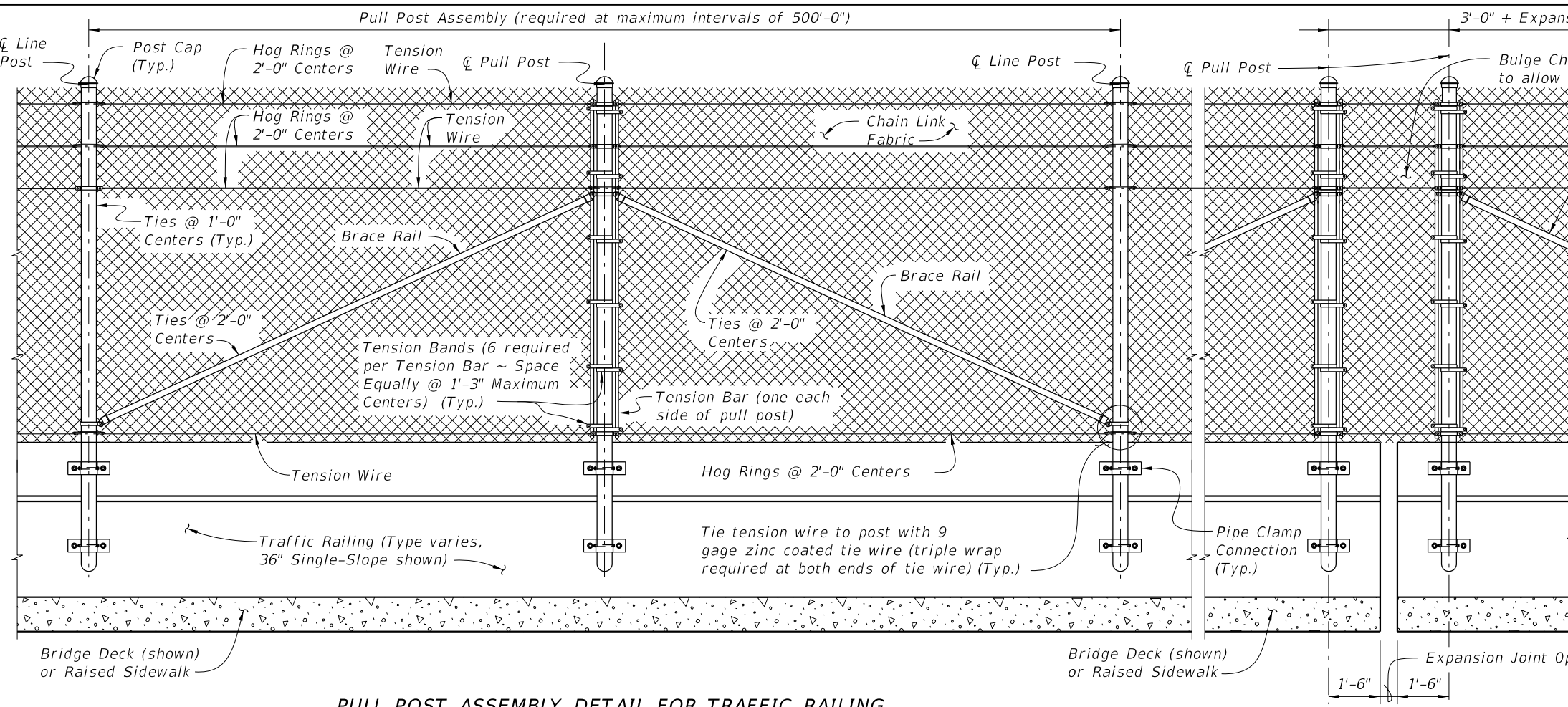


FY 2021-22
STANDARD PLANS

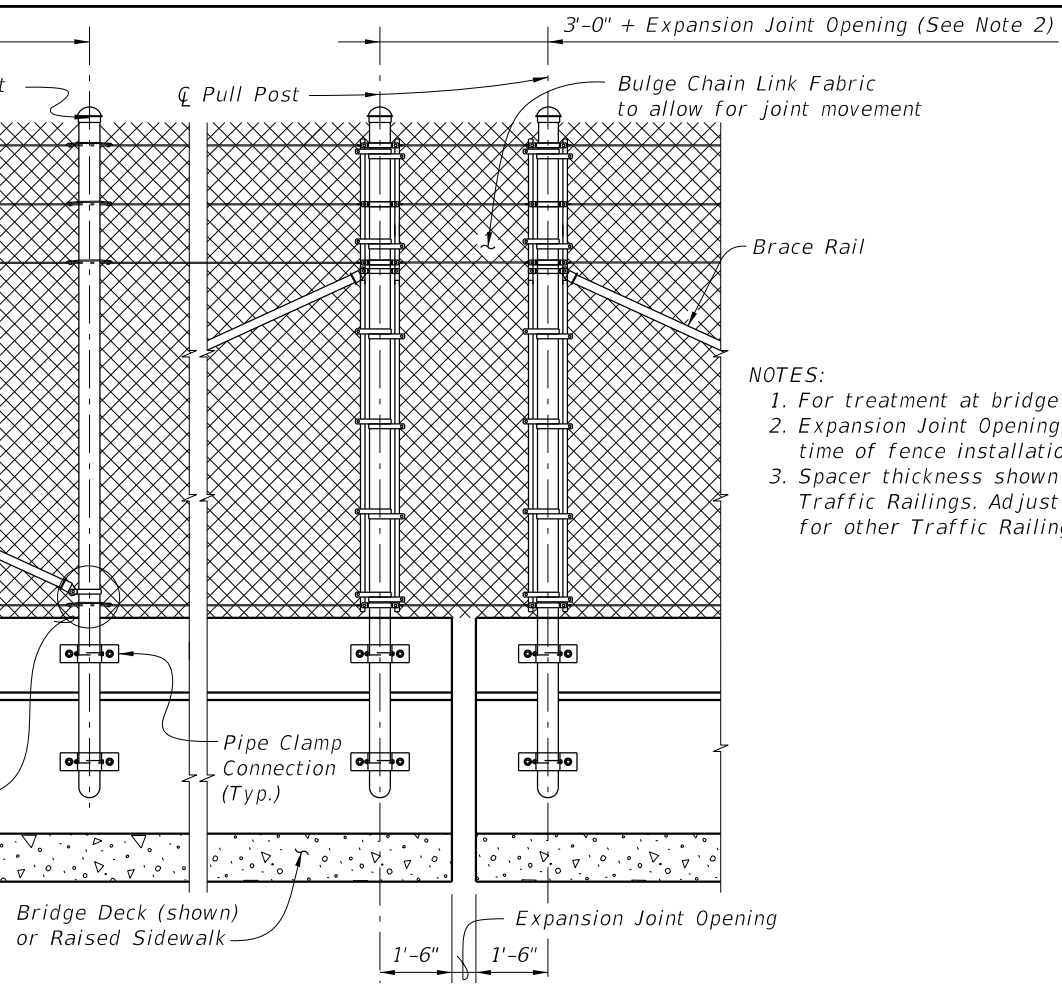
BRIDGE FENCING (OVER RAILROAD)

INDEX
550-013

SHEET
2 of 3



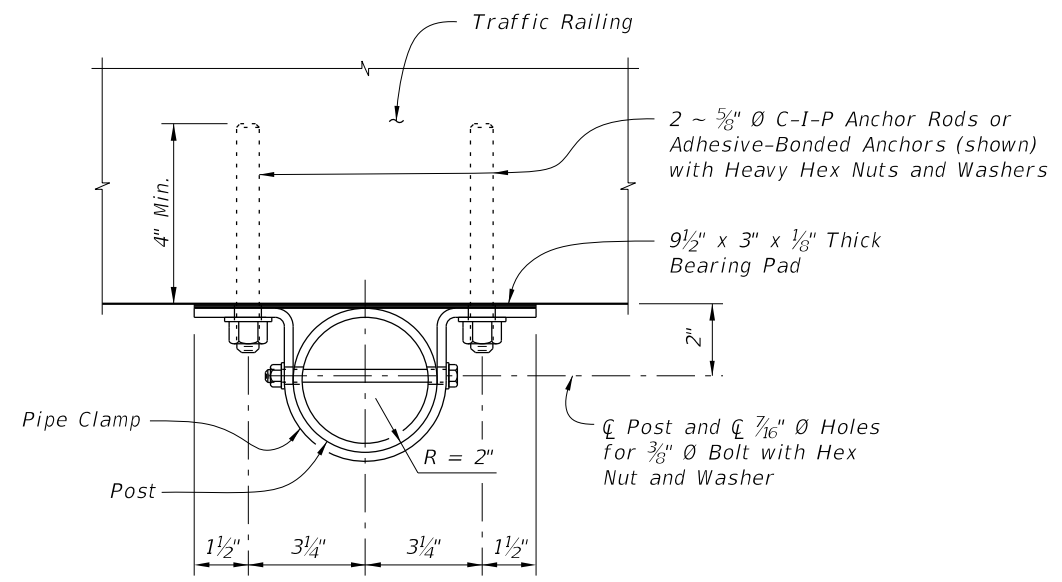
PULL POST ASSEMBLY DETAIL FOR TRAFFIC RAILING



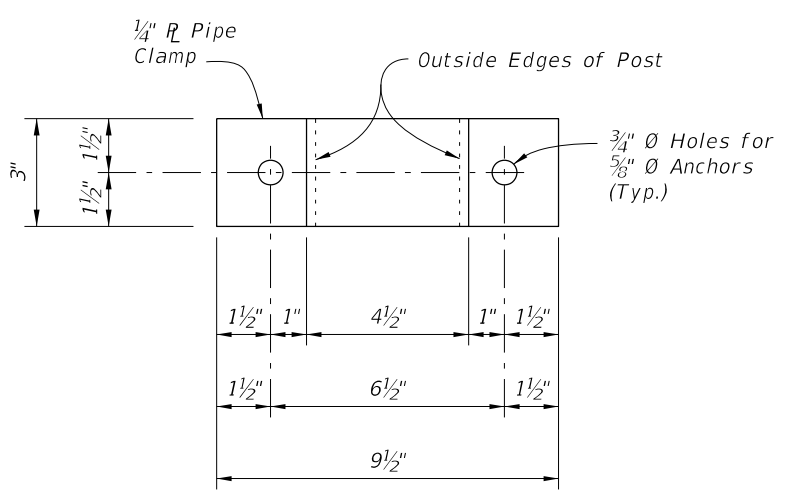
EXPANSION ASSEMBLY DETAIL

(Required only at expansion joint locations where total movement exceeds 6")

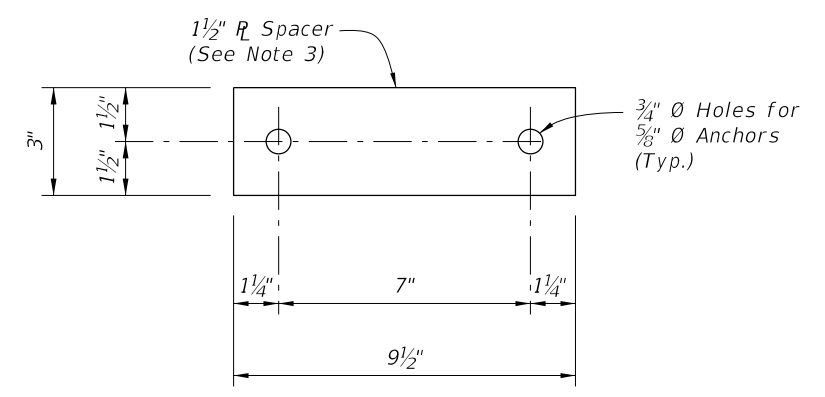
- NOTES:**
1. For treatment at bridge ends, see Sheet 1.
 2. Expansion Joint Opening is the width at the time of fence installation.
 3. Spacer thickness shown is for Single-Slope Traffic Railings. Adjust thickness as required for other Traffic Railings.



PIPE CLAMP CONNECTION DETAIL
(Connection without spacer shown, Connection with spacer similar)



PIPE CLAMP DETAIL



SPACER DETAIL

(Must be manufactured from an incompressible material (i.e., steel or aluminum))

10/01/2020 9:26:46 AM

LAST REVISION 11/01/17	REVISION	DESCRIPTION:	 FY 2021-22 STANDARD PLANS	BRIDGE FENCING (OVER RAILROAD)	INDEX 550-013	SHEET 3 of 3
---------------------------	----------	--------------	--	--------------------------------	------------------	-----------------