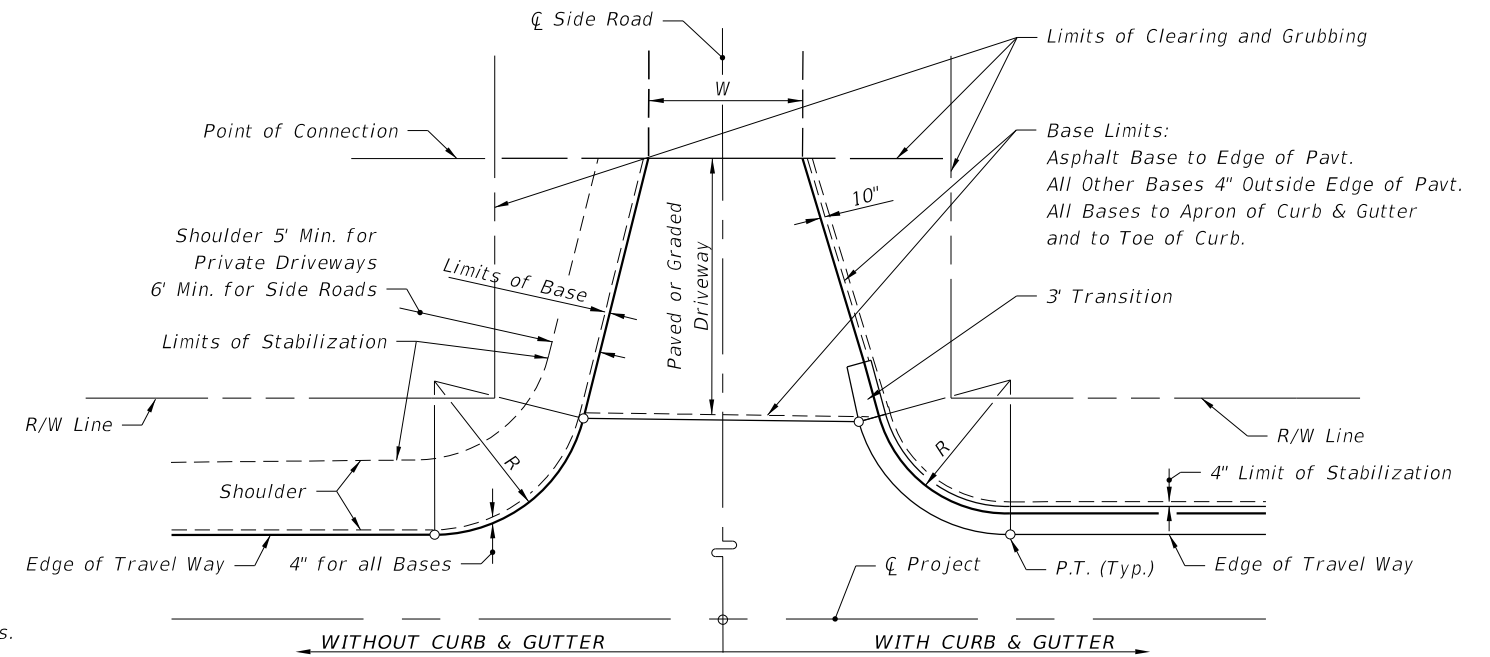
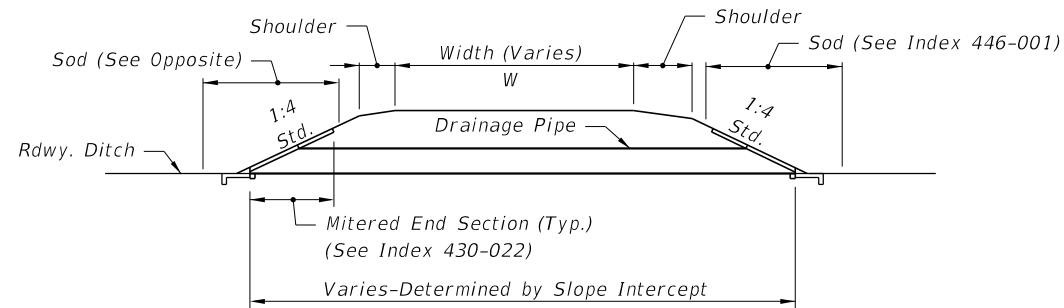


PLAN

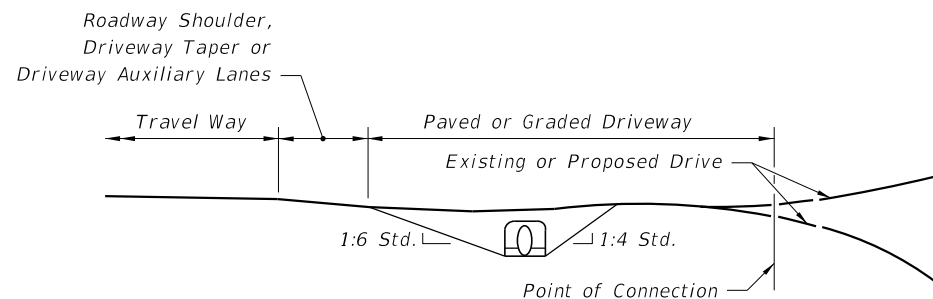


PLAN

**LIMITS OF CLEARING & GRUBBING,
STABILIZING AND BASE AT DRIVEWAYS**



DRAINAGE SECTION




DRIVEWAY PROFILE AND END VIEW

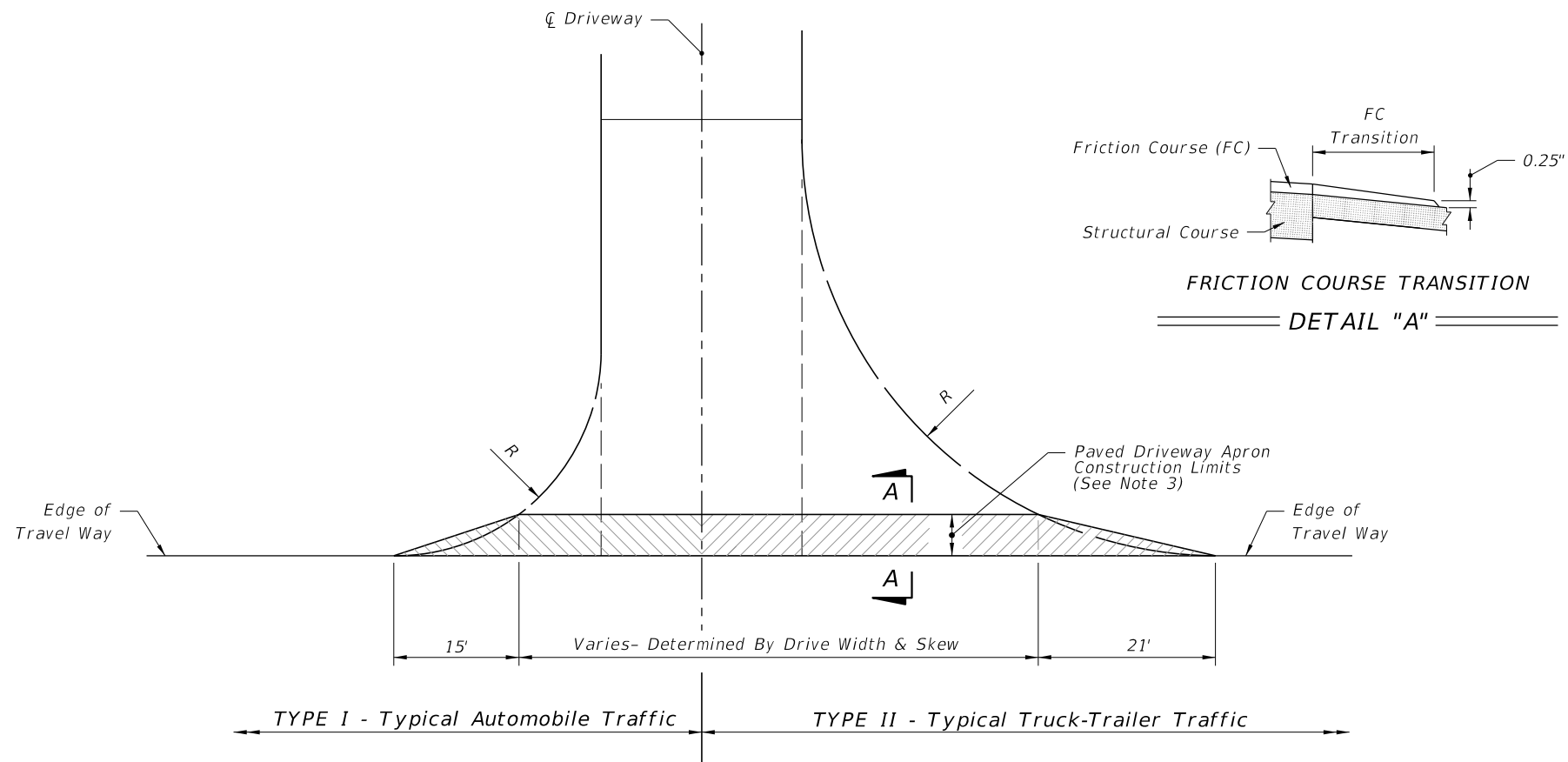
FLUSH SHOULDER ROADWAY - DRIVEWAY CONSTRUCTION

DRIVEWAY ENTRANCES NOTES:

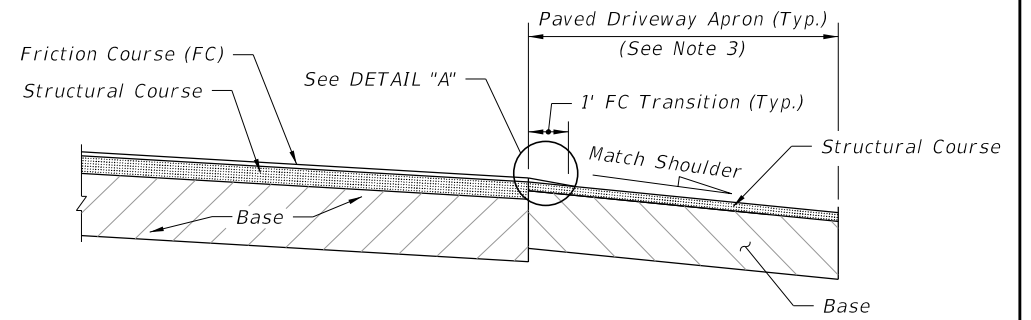
1. See Plans for Driveway Width (W) and Return Radius (R).
2. See the Plans for drainage pipe size and length or as determined by the Engineer. The size will be no less than 15" diameter or equivalent.
3. Stable material may be required for graded driveways to private property as directed by the Engineer in accordance with Specification 102-8.
4. The driveway pavement requirement at graded connections may be waived for connections serving one or two homes or field entrances with less than 20 trips per day, or 5 trips per hour as approved by the Engineer, or when not shown in the Plans.
5. Point of Connection:
 - a. Construct paved driveways for all paved connecting facilities. The connecting point will be determined by the Engineer.
 - b. Construct paved driveways for all business, commercial, industrial or high volume residential graded connecting facilities. Construct the connecting point 30'-0" from edge of travel way or at R/W line, whichever is less.
 - c. Construct paved driveways for all side road connections. The R/W is the connecting point.

10/8/2020 11:02:20 AM

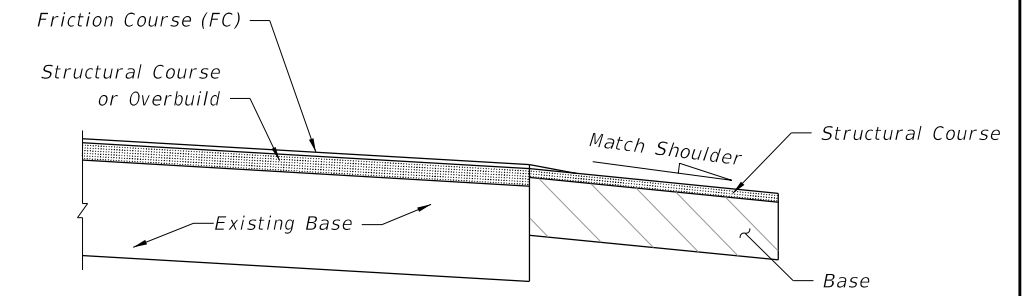
| | | | | | | |
|---------------------------|----------|--------------|---|----------------------------|------------------|-----------------|
| LAST REVISION 11/01/18 | REVISION | DESCRIPTION: |  FY 2021-22 STANDARD PLANS | PAVED AND GRADED DRIVEWAYS | INDEX 330-001 | SHEET 1 of 2 |
|---------------------------|----------|--------------|---|----------------------------|------------------|-----------------|



FRICITION COURSE TRANSITION
DETAIL "A"



SECTION AA - NEW CONSTRUCTION



SECTION AA - RESURFACING

NEW DRIVEWAY

DRIVEWAY TYPES

AREAS FOR ONE 5' DEEP DRIVEWAY APRON (SY)

| Drive Width (Ft.) | Intersection | | | |
|-------------------|--------------|---------|--------|---------|
| | Normal | | Skewed | |
| | Type I | Type II | Type I | Type II |
| 12 | 26 | 51 | 31 | 60 |
| 14 | 27 | 52 | 33 | 61 |
| 16 | 28 | 53 | 34 | 63 |
| 18 | 29 | 54 | 35 | 64 |
| 20 | 31 | 55 | 37 | 65 |
| 22 | 32 | 56 | 38 | 67 |
| 24 | 33 | 57 | 39 | 68 |
| 26 | 34 | 58 | 40 | 69 |
| 28 | 35 | 59 | 42 | 70 |
| 30 | 36 | 61 | 43 | 72 |
| 32 | 37 | 62 | 44 | 73 |
| 34 | 38 | 63 | 46 | 74 |
| 36 | 39 | 64 | 47 | 76 |
| 38 | 41 | 65 | 48 | 77 |
| 40 | 42 | 66 | 49 | 78 |
| 42 | 43 | 67 | 51 | 79 |
| 44 | 44 | 68 | 52 | 81 |
| 46 | 45 | 69 | 53 | 82 |
| 48 | 46 | 71 | 55 | 83 |
| 50 | 47 | 72 | 56 | 85 |
| 52 | 48 | 73 | 57 | 86 |
| 54 | 49 | 74 | 58 | 87 |
| 56 | 51 | 75 | 60 | 88 |
| 58 | 52 | 76 | 61 | 90 |
| 60 | 53 | 77 | 62 | 91 |

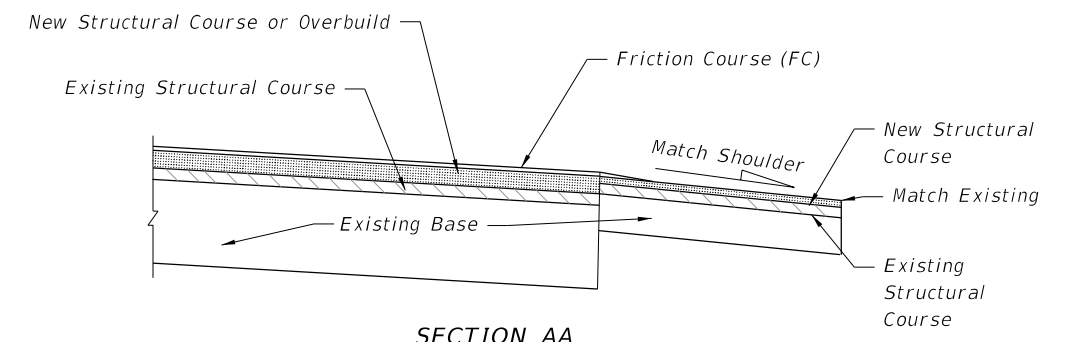
MATERIAL TYPES AND THICKNESSES FOR PAVED CONNECTIONS

| Course | Materials | Minimum Thickness (in.) | |
|------------|---------------------------------------|-------------------------|----------|
| | | Connections | Roadway* |
| Structural | Asphaltic Concrete | 1½" | 1½" |
| Bases | Optional Base (See Specification 285) | O.B.G. 2 | O.B.G. 3 |

* Travel way flares (bypass lanes), auxiliary lanes serving more than a single connection, and all median crossovers including their auxiliary lanes and/or transition tapers.

NOTES

1. Use same material for driveway structural course and roadway overbuild or structural course, except as approved by the Engineer for graded connections. Other Department-approved equivalent pavements may be used at the discretion of the Engineer.
2. Auxiliary lanes and their transition tapers shall be the same structure as the abutting travel way pavement thickness or any of the roadway structures tabulated above, whichever is thicker.
3. If an asphalt base course is used for a driveway, its thickness may be increased to match the edge of travel way pavement thickness in lieu of a separate structural course. 6" of Portland cement concrete will be acceptable in lieu of the asphalt base and structural courses. See Notes 4 and 5 below.
4. A structural course is required for flexible pavements when they are used for auxiliary lanes serving more than a single connection.
5. Use Class NS concrete at least 6" thick for driveways paved with Portland Cement Concrete. Construct in accordance with Specifications 347, 350, and 522.
6. The Department may require other pavement criteria where local conditions warrant.



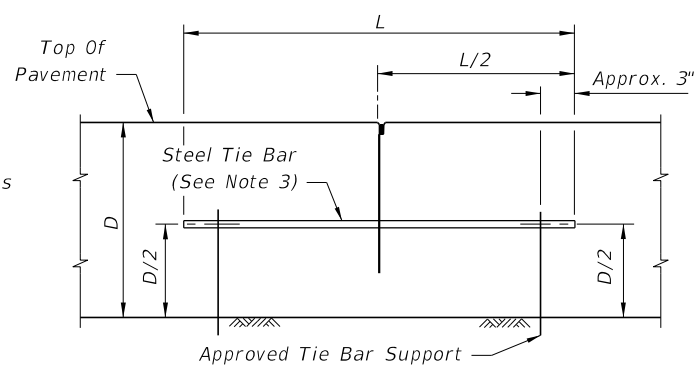
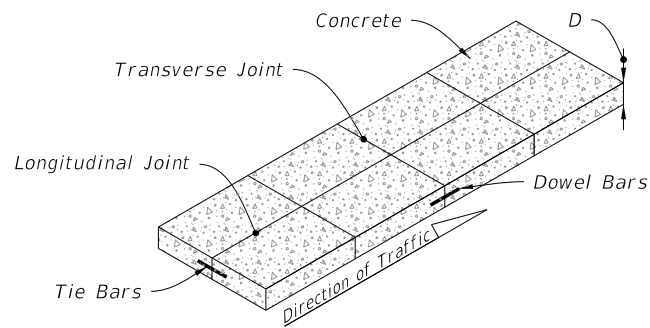
SECTION AA

RESURFACING EXISTING DRIVEWAY

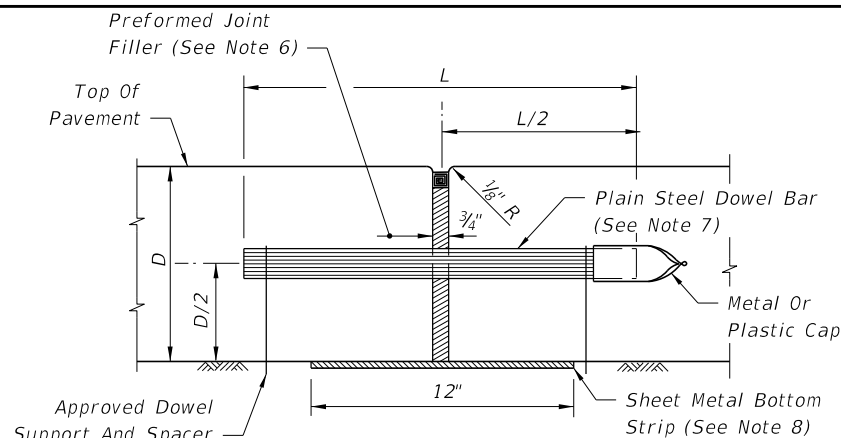
GENERAL NOTES:

1. Driveways are to be constructed or resurfaced for low volume (single family, duplex, farm, etc.) residential connections as directed by the Engineer.
2. Driveways construction is not required for low volume residential connections where roadway shoulders are paved.
3. Match existing paved shoulder widths ≥ 4'. For all other shoulders conditions, construct at 5' wide.
4. Connections beyond the shoulder width are to be constructed as directed by the Engineer.
5. Construct Driveway Base in accordance with Specification 286.
6. Payment for structural course and friction course is to be included in roadway pavement pay item.

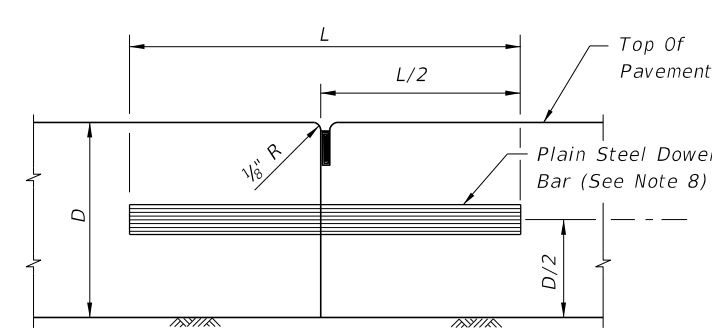
10/8/2020 11:02:23 AM



BUTT CONSTRUCTION JOINT



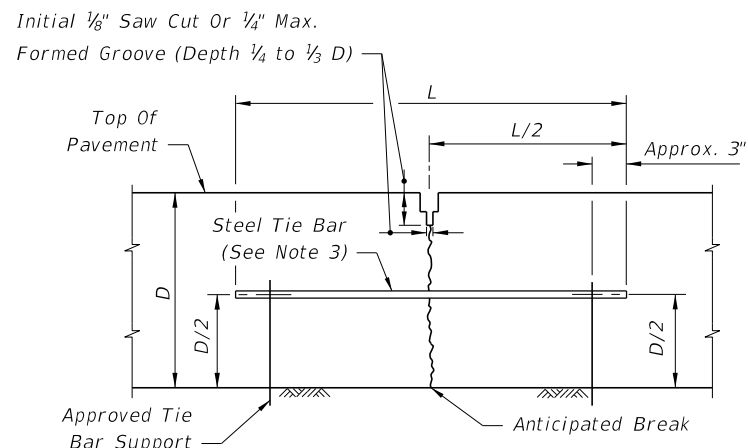
EXPANSION JOINT
(See Note 6)



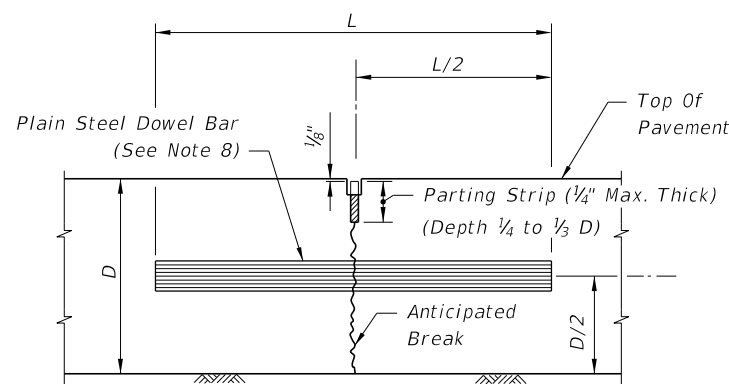
BUTT CONSTRUCTION JOINT
(Used At Discontinuance Of Work)

NOTES:

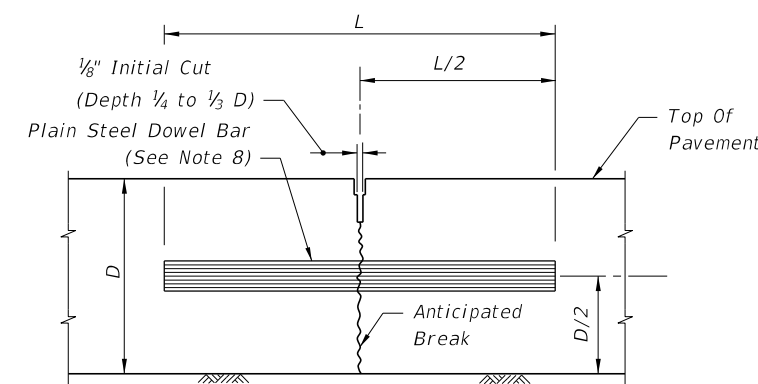
1. For joint seal dimensions see Sheet 2.
2. For slabs poured simultaneously, tie bars may be inserted in the plastic concrete by means approved by the Engineer.
3. For Longitudinal Joints:
 - A. Tie bars are deformed #4 or #5 reinforcing steel bars meeting the requirements of Specification 931.
 - B. Provide a standard load transfer tied joint with #4 bars 25" in length at 24" spacing or #5 bars 30" in length at 38" spacing.
4. Transverse joints are to be spaced at a maximum of 15'. Dowels are required at all transverse joints unless otherwise noted in the plans.
5. Expansion joints to be placed at street intersections and other locations as indicated in the Plans. For bridge expansion joints, see Index 370-001.
6. Punch clean holes in preformed joint filler greater than bar diameter.
7. Coat and lubricate plain steel dowel bars in accordance with Specification 350.
8. Sheet metal bottom strips in accordance with Specification 931. Not required with asphalt base.



LANE-TIE JOINT
(See Note 2)



CONTRACTION JOINT
(Vibro Case Method)

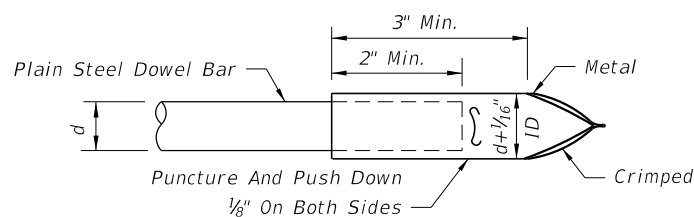


CONTRACTION JOINT
(Sawed Method)

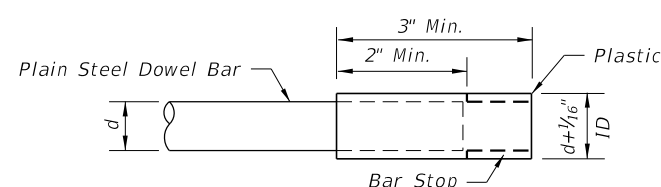
===== **LONGITUDINAL JOINTS** =====

===== **TRANSVERSE JOINTS** =====

| DOWELS (LENGTH 18") | |
|----------------------------|----------|
| Pavement Thickness "D" | Diameter |
| 6"-6 1/2" | 3/4" |
| 7"-8" | 1" |
| 8 1/2"-10 1/2" | 1 1/4" |
| ≥11" | 1 1/2" |

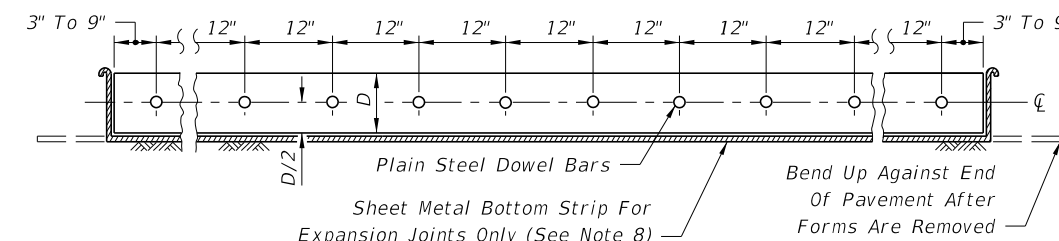


METAL



PLASTIC

===== **DOWEL BARS CAPS** =====



===== **DOWEL BAR LAYOUT** =====

11:02:25 AM
10/8/2020

| | |
|---------------------------|--------------|
| LAST REVISION 11/01/19 | DESCRIPTION: |
|---------------------------|--------------|

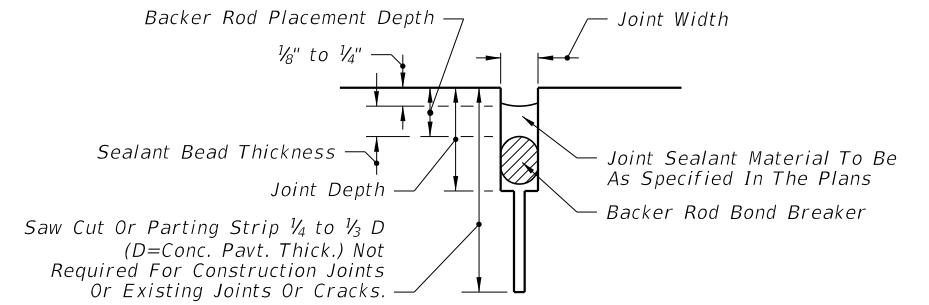
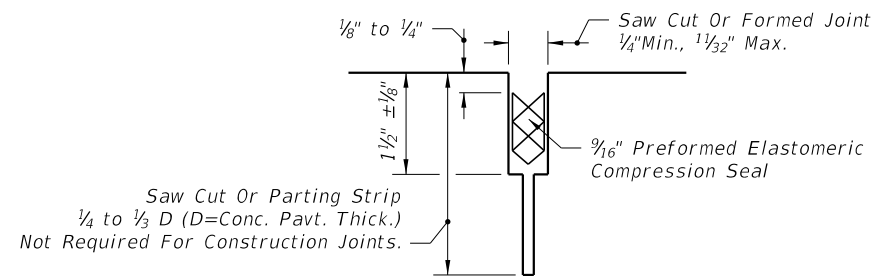
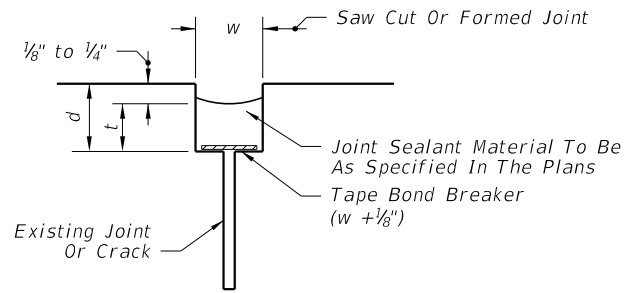


FY 2021-22
STANDARD PLANS

CONCRETE PAVEMENT JOINTS

INDEX
350-001

SHEET
1 of 4



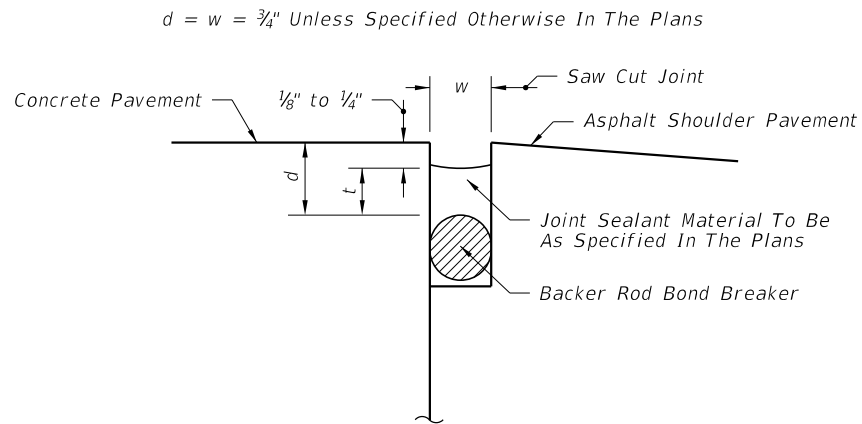
Note: Dimension w will be shown in the plans or established by the Engineer based on field conditions. Dimension d will be constructed so that the shape factor w/t has a maximum value of 2.0 and a minimum value of 1.0.

FOR NEW PROJECTS
PREFORMED ELASTOMERIC COMPRESSION SEAL

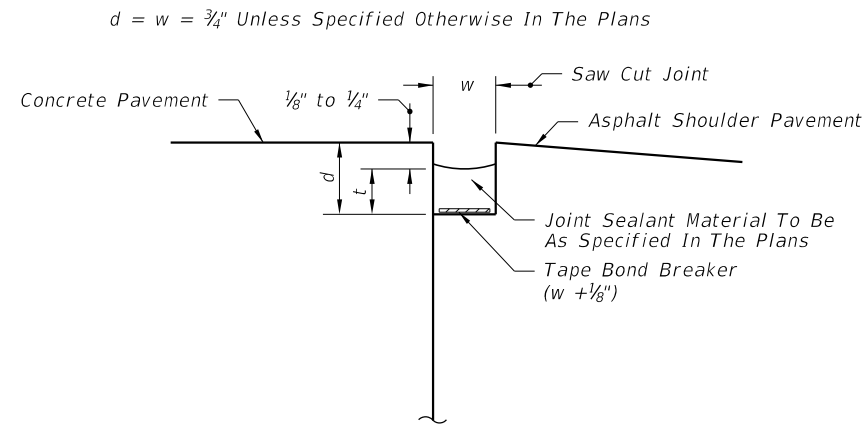
FOR NEW AND REHABILITATION PROJECTS
BACKER ROD BOND BREAKER

FOR REHABILITATION PROJECTS
TAPE BOND BREAKER

CONCRETE-CONCRETE JOINTS



BACKER ROD BOND BREAKER



TAPE BOND BREAKER

FOR NEW AND REHABILITATION PROJECTS;
 EITHER TAPE OR BACKER ROD BOND BREAKER REQUIRED;
 SHOULDER MUST BE REPAIRED IF PROPER JOINT SHAPE
 CAN NOT BE ATTAINED

CONCRETE-ASPHALT SHOULDER JOINTS

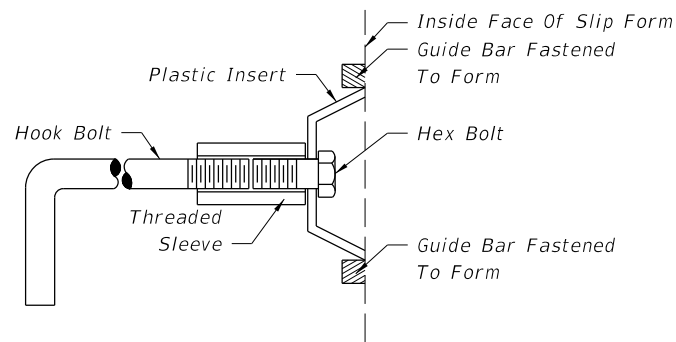
JOINT SEAL DIMENSIONS

| BACKER ROD BOND BREAKER (CONCRETE-CONCRETE JOINTS) | | | | |
|---|------------------------|-----------------|---------------------|----------------------------|
| JOINT DIMENSIONS (INCHES) | | | | |
| JOINT WIDTH | SEALANT BEAD THICKNESS | BACKER ROD DIA. | MINIMUM JOINT DEPTH | BACKER ROD PLACEMENT DEPTH |
| 1/4 | 1/4 | 3/8 | 1 | 1/2 |
| 3/8 | 1/4 | 1/2 | 1 1/4 | 1/2 |
| 1/2 | 1/4 | 5/8 | 1 1/4 | 1/2 |
| 5/8 | 5/16 | 3/4 | 1 1/2 | 9/16 |
| 3/4 | 3/8 | 1 | 1 3/4 | 5/8 |
| 7/8 | 7/16 | 1 1/8 | 1 3/4 | 1 1/16 |
| 1 | 1/2 | 1 1/4 | 2 | 3/4 |
| >1 | 1/2 | 1 1/4+ | 2+ | 3/4 |

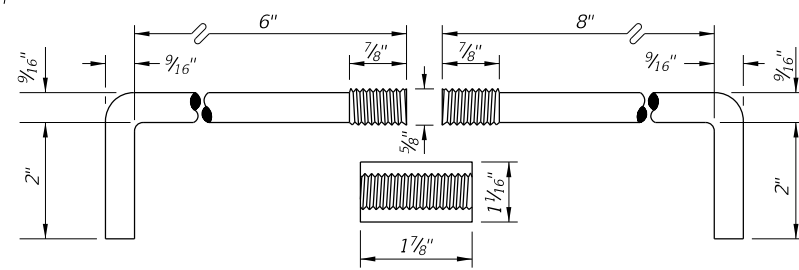
Unless otherwise indicated on the plans the joint width for new construction will be 1/4" for construction joints, 3/8" for all other joints.

For rehabilitation projects the joint width will be shown on the plans or established by the Engineer based on field conditions.

11:02:27 AM
10/8/2020

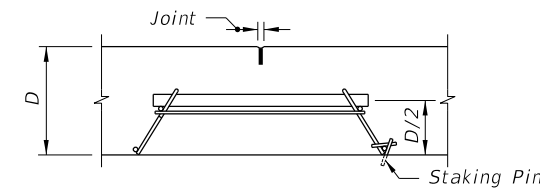


Note: After the concrete has set to the extent that the keyway will retain its shape, the hex bolt and plastic insert shall be removed. The remaining portion of the hook bolt assembly shall be installed immediately prior to placing of concrete in the adjacent lane.

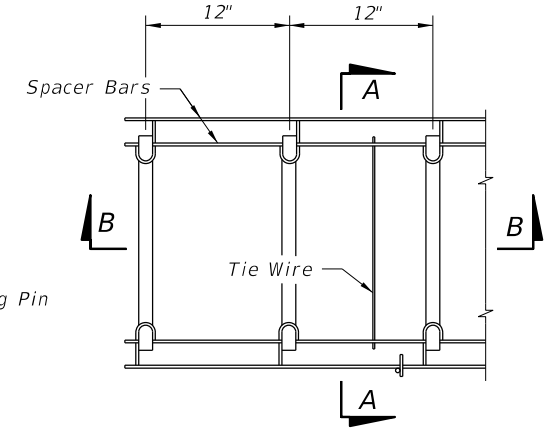


Anchor bolts shall be Grade C in accordance with ASTM A 307.

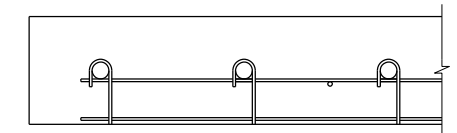
Threaded sleeves shall develop the full strength of the bolt and meet the material and thread requirements of ASTM A 563.



SECTION AA

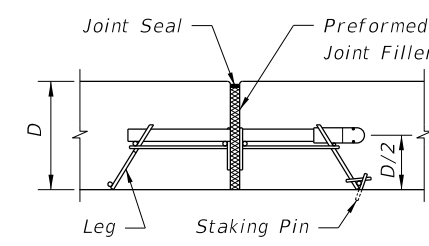


TOP VIEW

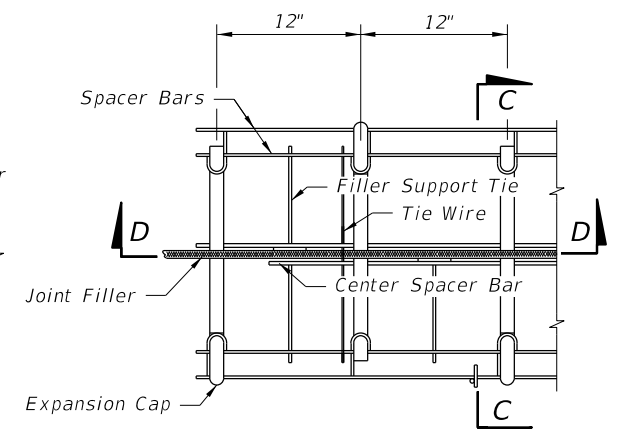


SECTION BB

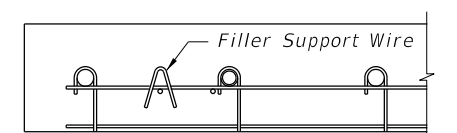
CONTRACTION ASSEMBLY



SECTION CC



TOP VIEW



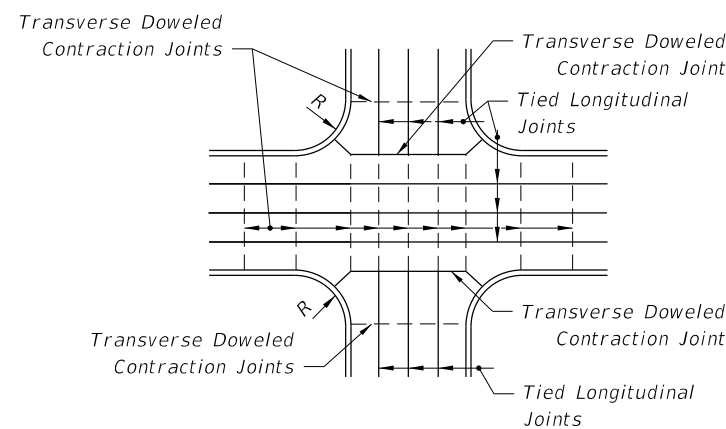
SECTION DD

EXPANSION ASSEMBLY

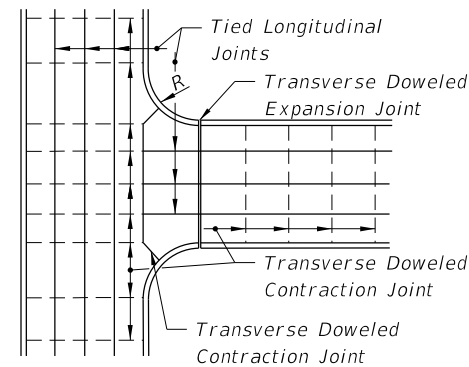
Note: Proprietary contraction and expansion assemblies may be used. Products shall be introduced to the State Construction Office in accordance with section (C) of the Product Evaluation Procedure.

ALTERNATE KEYWAY AND HOOK BOLT

STEEL HOOK BOLT ASSEMBLY



JOINT LAYOUT AT THRU INTERSECTIONS



JOINT LAYOUT AT 'T' INTERSECTIONS

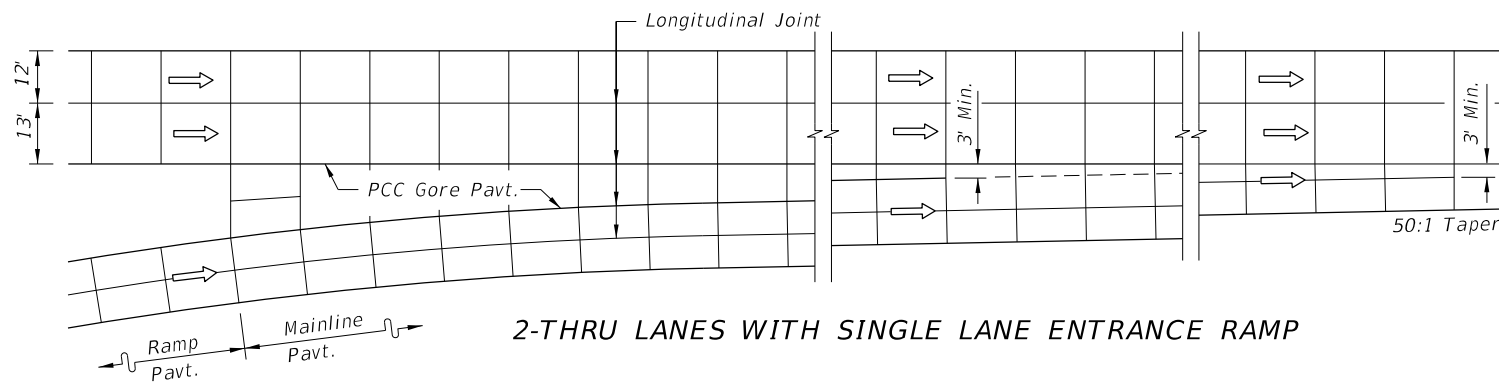
JOINT ARRANGEMENT

NOTES

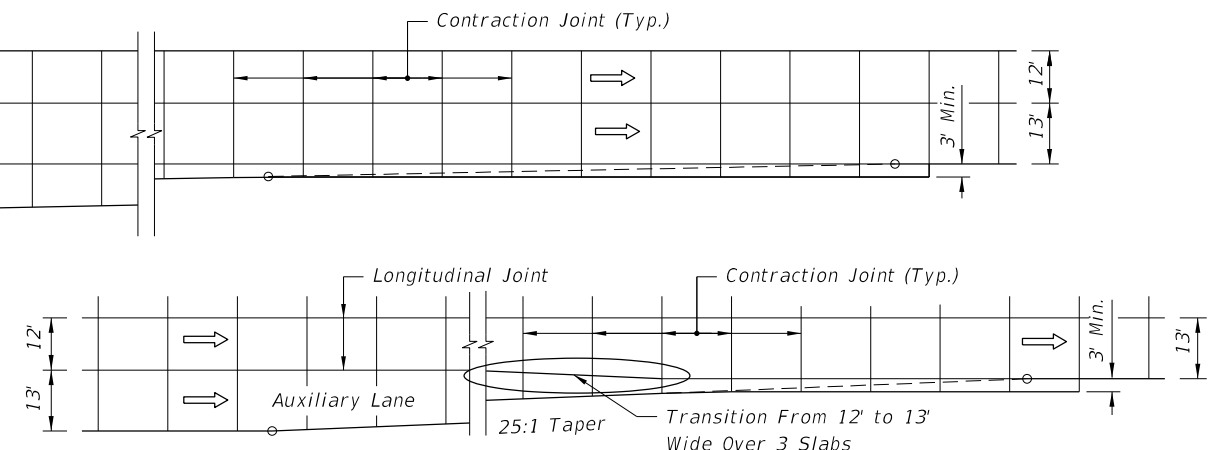
1. Longitudinal joints will not be required for single lane pavement 14' or less in width. For entrance and exit ramp joint details, see Sheet 4.
2. Arrangement of longitudinal joints are to be as directed by the Engineer.
3. All manholes, meter boxes and other projections into the pavement shall be boxed-in with 1/2" preformed expansion joint material.

11:02:28 AM 10/8/2020

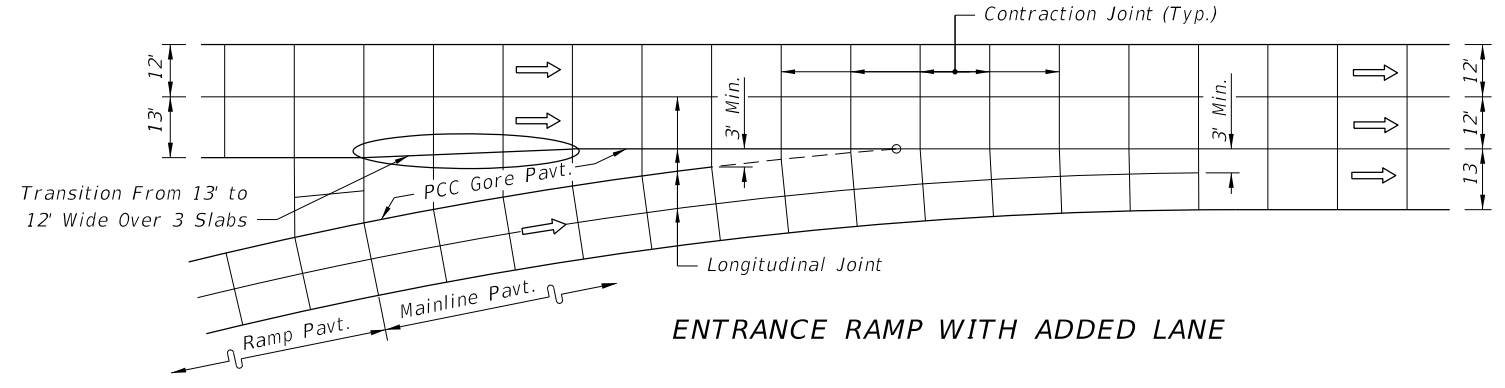
| | | | | | | |
|---------------------------|----------|--------------|----------------------------------|--------------------------|------------------|-----------------|
| LAST REVISION 11/01/18 | REVISION | DESCRIPTION: | FY 2021-22 STANDARD PLANS | CONCRETE PAVEMENT JOINTS | INDEX 350-001 | SHEET 3 of 4 |
|---------------------------|----------|--------------|----------------------------------|--------------------------|------------------|-----------------|



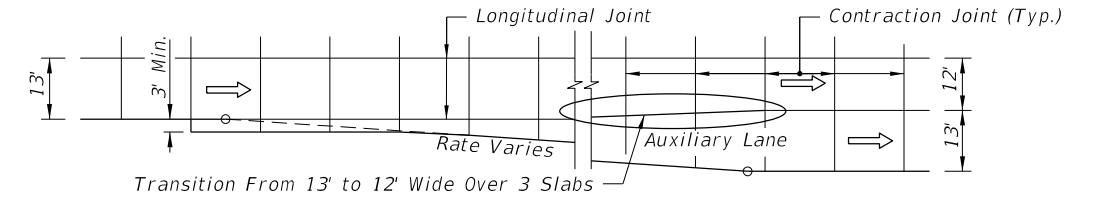
2-THRU LANES WITH SINGLE LANE ENTRANCE RAMP



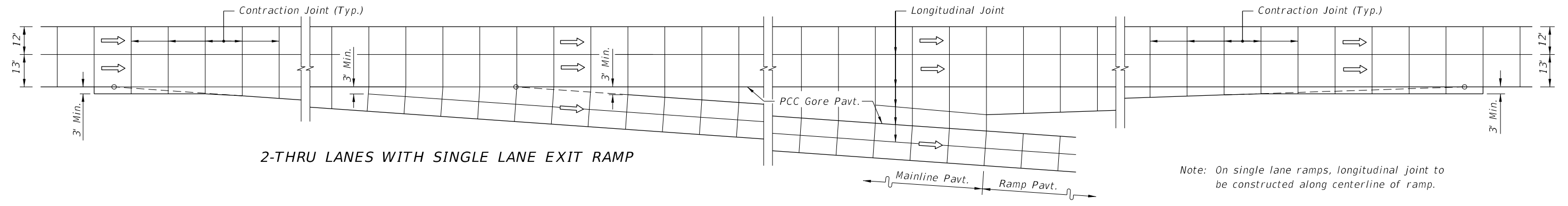
ENTRANCE TAPER WITH AUXILIARY LANE



ENTRANCE RAMP WITH ADDED LANE

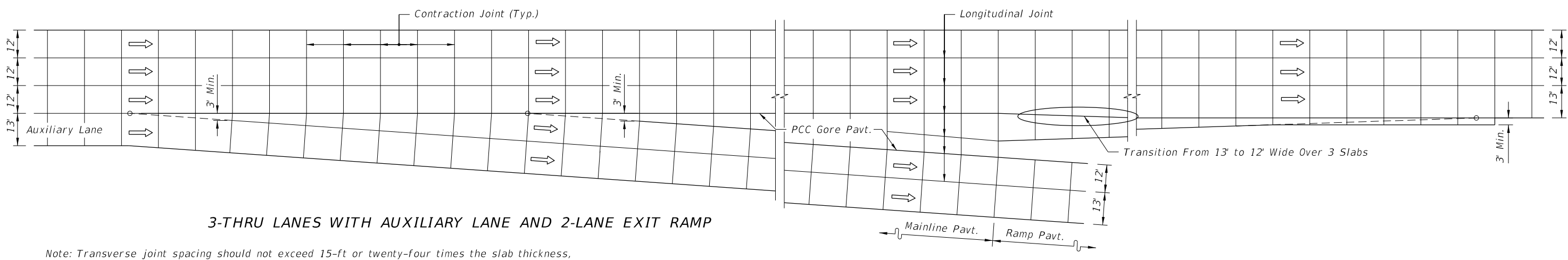


EXIT TAPER WITH AUXILIARY LANE



2-THRU LANES WITH SINGLE LANE EXIT RAMP

Note: On single lane ramps, longitudinal joint to be constructed along centerline of ramp.



3-THRU LANES WITH AUXILIARY LANE AND 2-LANE EXIT RAMP

JOINT LAYOUT AT ENTRANCE AND EXIT RAMP TERMINALS

Note: Transverse joint spacing should not exceed 15-ft or twenty-four times the slab thickness, whichever is less. If a lane exceeds 15-ft width, such as single lane ramps and weigh stations, longitudinal joint to be constructed in centerline of lane.

10/8/2020 11:02:29 AM

| | | | | | |
|---------------------------|--------------|--|--------------------------|------------------|-----------------|
| LAST REVISION 11/01/18 | DESCRIPTION: |  FY 2021-22 STANDARD PLANS | CONCRETE PAVEMENT JOINTS | INDEX 350-001 | SHEET 4 of 4 |
|---------------------------|--------------|--|--------------------------|------------------|-----------------|

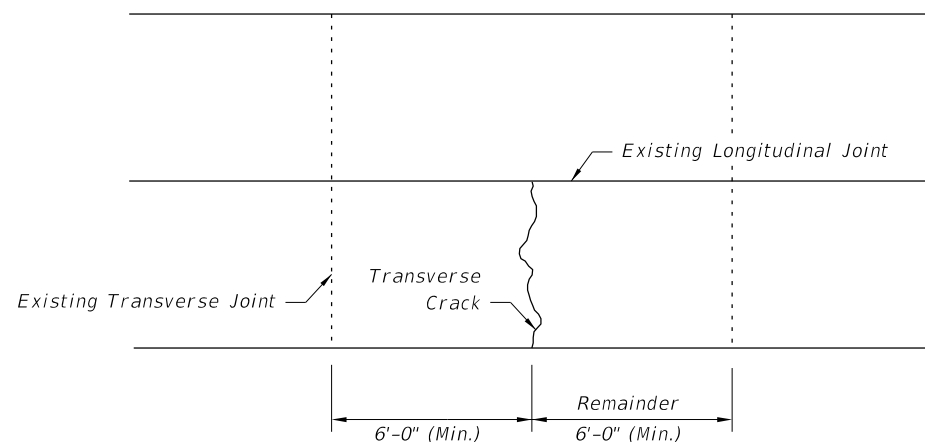


FIGURE 10.2 - REPAIR METHOD: NONE OR CLEAN AND SEAL

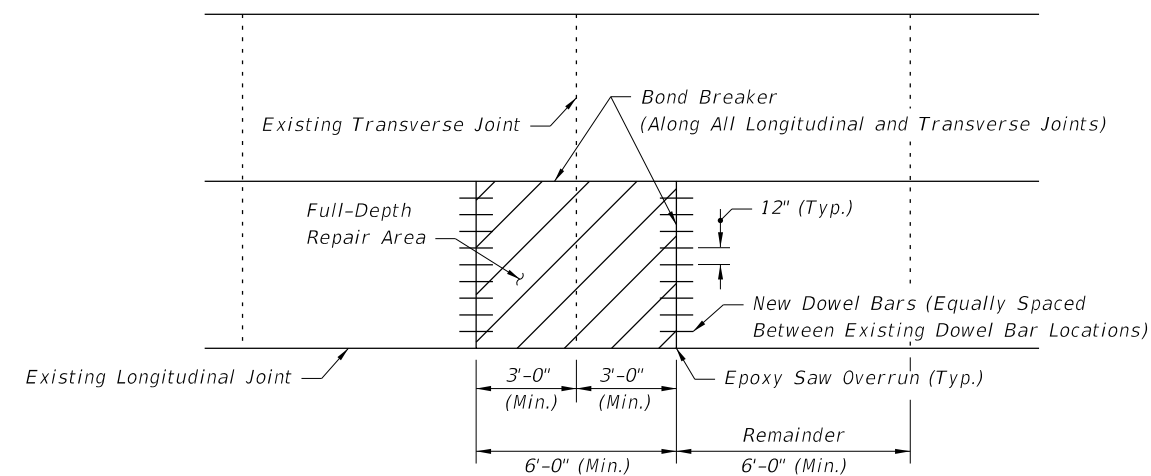


FIGURE 10.5 - FULL-DEPTH REPAIR ON BOTH SIDES OF THE JOINT

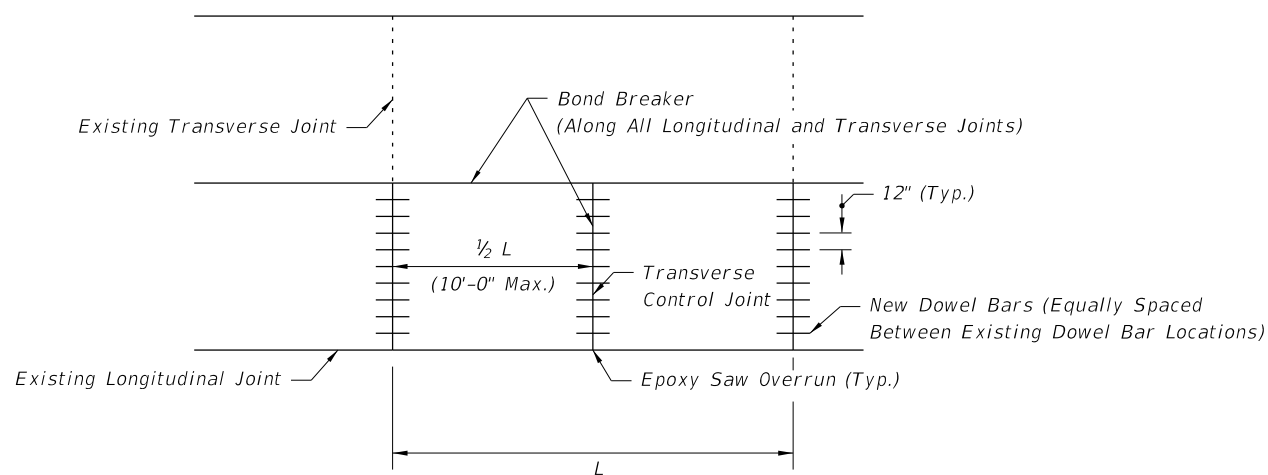


FIGURE 10.3 - FULL SLAB FULL DEPTH REPLACEMENT

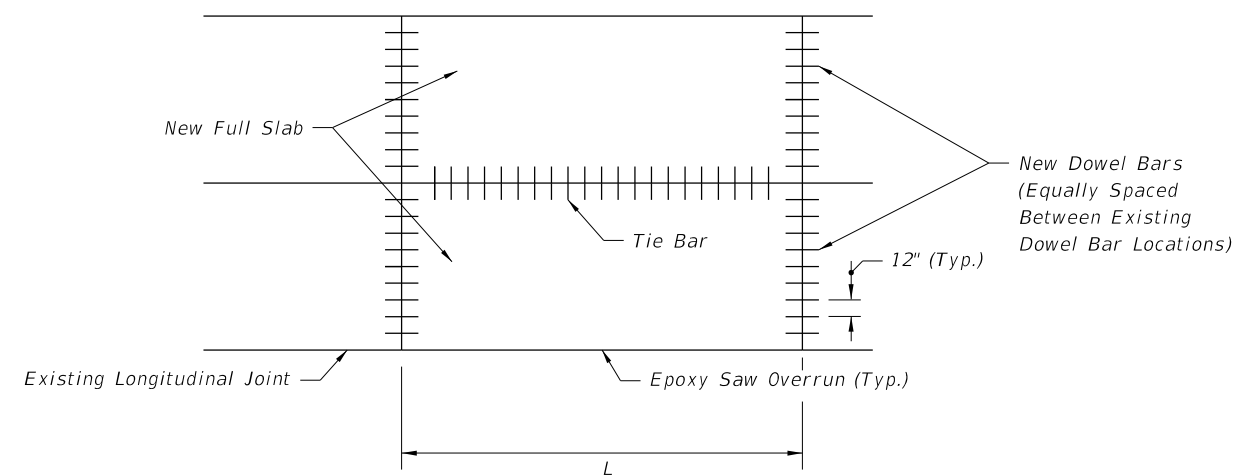


FIGURE 10.6 - MULTIPLE SLAB FULL DEPTH REPLACEMENT

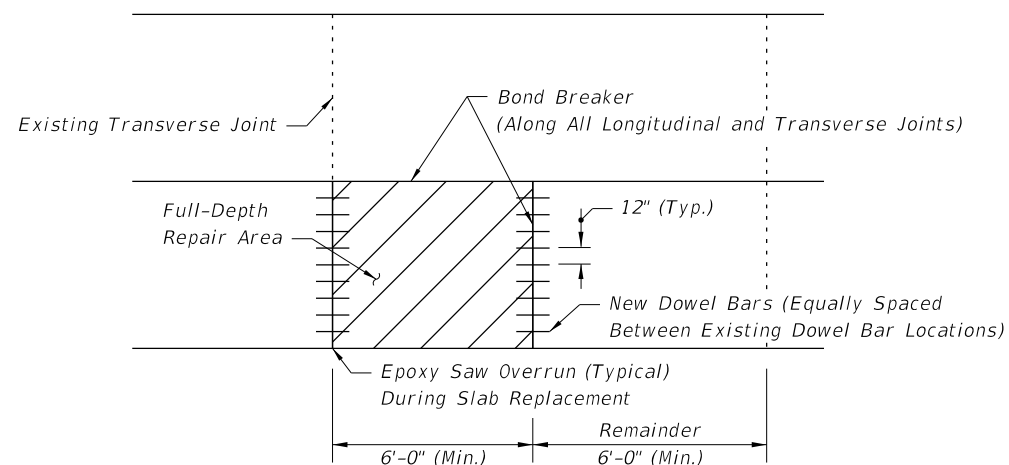



FIGURE 10.4 - PARTIAL SLAB FULL DEPTH REPLACEMENT

GENERAL NOTES

1. For Repair and Replacement Criteria see Sheet 2.
2. Full depth repairs consist of removing and replacing at least a portion of the existing slab to the bottom of the concrete.
3. Repair boundaries shall be sawed full-depth with diamond saw blades. On hot days, it may not be possible to make this cut without first making a wide, pressure relief cut within the repair boundaries. A carbide-tipped wheel saw may be used for this purpose, but the wheel saw must not intrude on the adjacent lane, unless the lane is slated for repair. The wheel saw cuts produce a ragged edge that promotes excessive spalling along joints. Hence, if wheel saw cuts are made, diamond saw cuts must be made 18 in. outside the wheel saw cuts. To prevent damage to the base, the wheel saw must not be allowed to penetrate more than 0.5 in. into the base.
4. No additional base or subgrade material shall be added and all loose base or subgrade material shall be removed prior to placement of the new concrete slab. The concrete slab shall be placed to the full depth of the material removed. No additional compensation will be allowed for additional concrete required to bring proposed concrete slab up to finished grade.
5. Removal of the damaged concrete pavement shall be by lifting. Any good concrete pavement which is damaged during removal of damaged areas shall be removed and replaced by the contractor at his expense.
6. If the roadway contract includes grinding, then the slab replacement shall be performed first.
7. During slab replacement operations, fill any saw cut over runs into adjacent slabs with epoxy.
8. Install tie bars at longitudinal joints when two full adjacent or multiple replaced slabs.

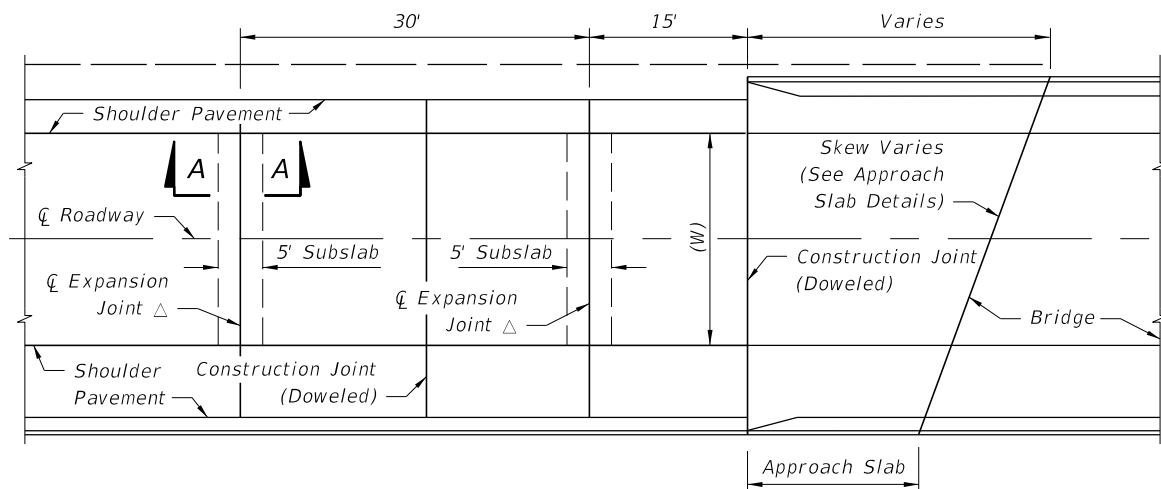
10/8/2020 11:02:33 AM

| | | | | | | |
|---------------------------|----------|--------------|--|---------------------------|------------------|-----------------|
| LAST REVISION 11/01/17 | REVISION | DESCRIPTION: |  FY 2021-22 STANDARD PLANS | CONCRETE SLAB REPLACEMENT | INDEX 353-001 | SHEET 1 of 2 |
|---------------------------|----------|--------------|--|---------------------------|------------------|-----------------|

SLAB REPAIR AND REPLACEMENT CRITERIA

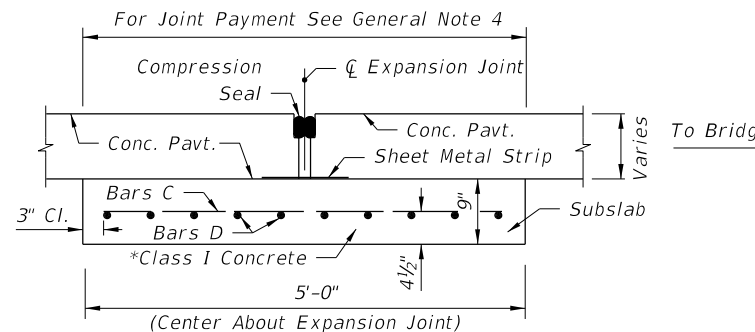
| DISTRESS PATTERN | SEVERITY/DESCRIPTION | | REPAIR METHOD | REFERENCE |
|--|---|---|--|----------------------------|
| CRACKING | | | | |
| Longitudinal | Light | <1/8", no faulting, spalling <1/2" wide | None | Figure 10.2 |
| | Moderate | 1/8" <width <1/2", spalling <3" wide | Clean and Seal | Figure 10.2 |
| | Severe | width >1/2", spalling >3" faulting >1/2" | Replace | Figure 10.3 |
| Transverse | Light | <1/8", no faulting, spalling <1/2" wide | None | Figure 10.2 |
| | Moderate | 1/8" <width <1/2", spalling <3" wide | Clean and Seal | |
| | Severe | width >1/2", spalling >3" faulting >1/2" | Replace | Figure 10.3, 10.4 and 10.5 |
| Corner Breaks | A corner of the slab is separated by a crack that intersects the adjacent longitudinal and transverse joint, describing an approximate 45° angle with the direction of traffic. | | Full Depth | Figure 10.4 and 10.5 |
| Intersecting Random Cracks (Shattered Slab) | Cracking patterns that divide the slab into three or more segments. | | Full Depth | Figure 10.3 and 10.4 |
| JOINT DEFICIENCIES | | | | |
| Spall Nonwheel Path | Light | spall width <1 1/2", < 1/3 slab depth, <12" in length | None | Figure 10.4 and 10.5 |
| | Moderate | 1 1/2" <spall width <3", < 1/3 slab depth, <12" in length | None | Figure 10.4 and 10.5 |
| | Severe | spall width >3" or length >12" | Full Depth | Figure 10.4 and 10.5 |
| Spall Wheel Path | Light | spall width <1 1/2", <than 1/3 slab depth, <12" in length | None | Figure 10.4 and 10.5 |
| | Moderate | 1 1/2" <spall width <3", < 1/3 slab depth, <12" in length | Full Depth | Figure 10.4 and 10.5 |
| | Severe | spall width >3" or length >12" | Full Depth | Figure 10.4 and 10.5 |
| SURFACE DETERIORATION | | | | |
| Pop Outs Nonwheel Path | Small pieces of surface pavement broken loose, normally ranging from 1 to 4 in. diameter and 1/2 to 2 in. in depth. | | | |
| | Light | Not deemed to be a traffic hazard | Keep under observation | |
| | Severe | Flying debris deemed a traffic hazard | Full Depth | Figure 10.4 |
| Pop Outs Wheel Path | Small pieces of surface pavement broken loose, normally >3" diameter and 2" in depth. | | | |
| | Light | Deemed to be a traffic hazard | Full Depth | Figure 10.4 |
| | Severe | Flying debris deemed a traffic hazard | Full Depth | Figure 10.4 |
| MISCELLANEOUS DISTRESS | | | | |
| Faulting | Elevation differences across joints or cracks. | | | |
| | Light | Faulting <4/32" | None | |
| | Moderate | 4 <Faulting <16/32" | Grind | |
| | Severe | Faulting >16/32" | Grind | |
| Lane To Shoulder Drop-Off | Light | 0 <drop-off <1" | None | N/A |
| | Moderate | 1" <drop-off <3" | Build Up | |
| | Severe | drop-off >3 " | Build Up | |
| Water Bleeding Or Pumping | Seeping or ejection of water through joints or cracks. | | Install appropriate drainage, edge drain, permeable subbase, reseal joints, etc. | N/A |
| Blowups | Upward movement at transverse joints or cracks often accompanied by shattering of the concrete. | | Full Depth | Figure 10.3 and 10.4 |

11:03:16 AM
10/8/2020



△ Construct Expansion Joints Parallel To The Existing Transverse Pavement Joints On Rehabilitation Projects, And Parallel To The Standard Transverse Pavement Joints Shown In The Plans For New Construction.

PLAN



| REINFORCING STEEL | | | | |
|-------------------|------|-------|-----------|------------|
| Mark | Size | Spac. | No. Reqd. | Length |
| C | 5 | 6" | Varies | 4'-6" |
| D | 5 | 6" | 10 | W Minus 6" |

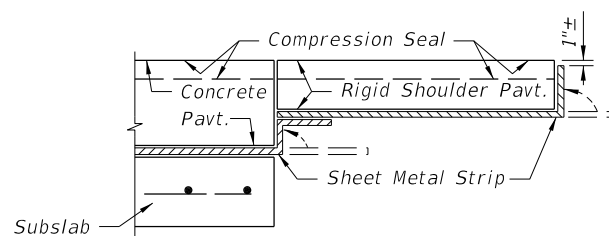
* Finish surface smooth. Cure with heavy coating of wax base white pigmented curing compound. Apply second application immediately prior to placing pavement.

SECTION A-A

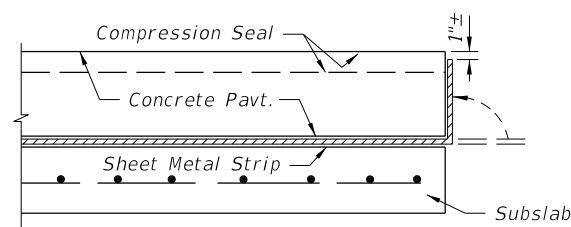
GENERAL NOTES:

1. For asphalt base, use four expansion joints per Index 350-001.
2. The centerline of roadway and the centerline of bridge do not necessarily coincide. Determine the centerline of the roadway pavement prior to the placement of the expansion joint.
3. For information on other types of concrete pavement joints see Index 350-001.
4. Pay quantity for expansion joint is the length of joint to be constructed across the roadway and shoulder pavements, measured at right angles to the centerline of the roadway. Payment for expansion joint is full compensation for joint construction, including reinforced concrete subslab, sheet metal strip and compression seal, but, not including roadway pavement reconstruction associated with joint replacement or reconstruction. Expansion joint to be paid for under the contract unit price for Bridge Approach Expansion Joint, LF.

EXPANSION JOINT



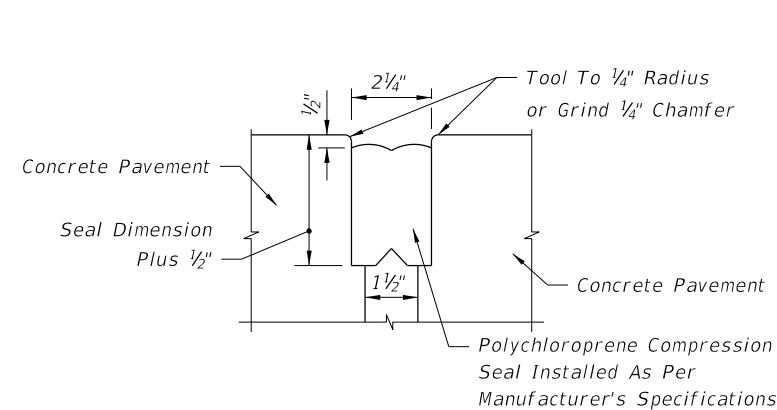
RIGID SHOULDER PAVEMENT



SODDED SHOULDER OR FLEXIBLE SHOULDER PAVEMENT

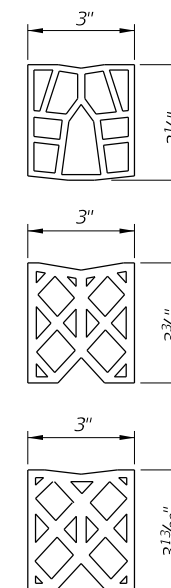
NOTES:

1. Immediately prior to placing the seal, thoroughly clean the joint of all foreign material. Immediately after the seal is placed, bend up the sheet metal strip against the pavement edge.
2. Use a minimum 16 gage steel, 12" wide sheet metal strip, Galvanized in accordance with ASTM A-526, Coating Designation G90.



NOTE: Thoroughly coat all contacting surfaces between the compression seal and concrete with a lubricant-adhesive.

JOINT DIMENSIONS



OPTIONAL SEALS

SHEET METAL STRIP DETAILS

COMPRESSION SEAL DETAIL

10/8/2020 11:03:18 AM